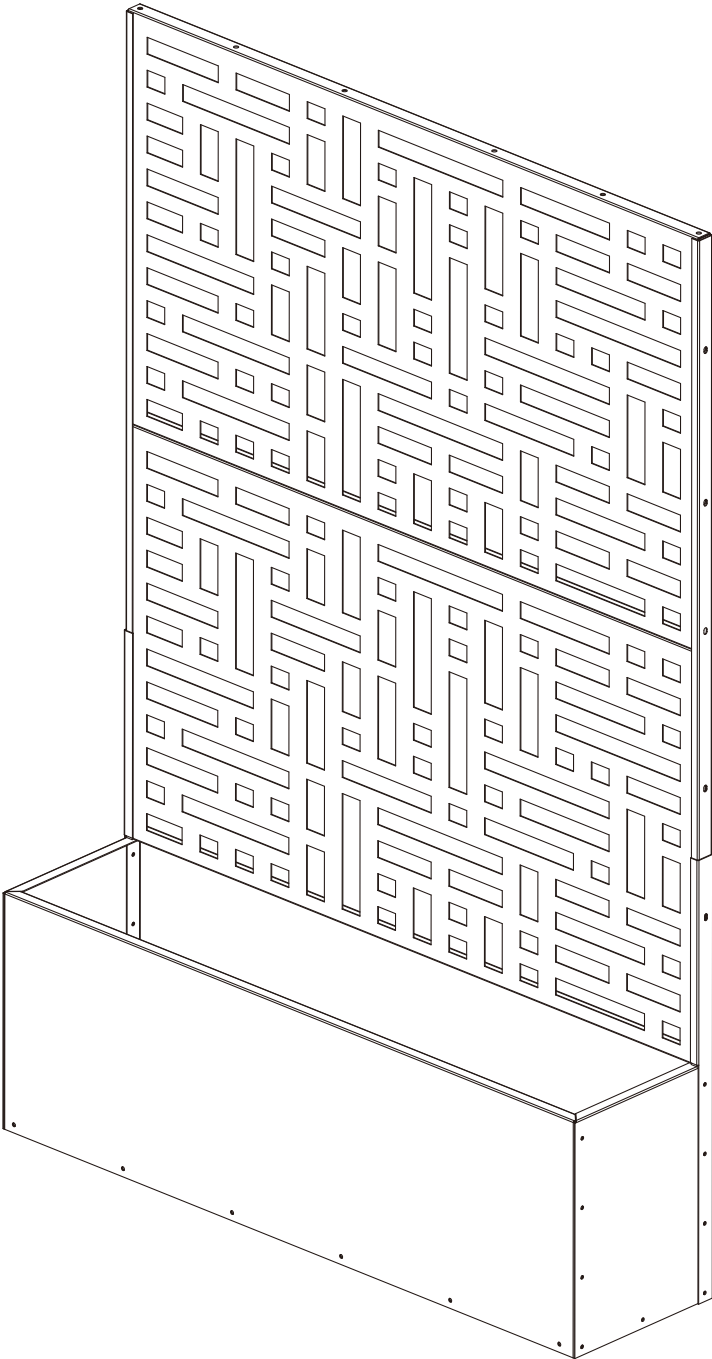


INSTRUCTION

OUTDOOR PRIVACY SCREEN



NOTICE

Thank you for your purchase!

Missing pieces, need help with assembly or have broken parts?

Please reach out to our customer service team directly via email:
patioservices@gmail.com

Customer Service Email: patioservices@gmail.com

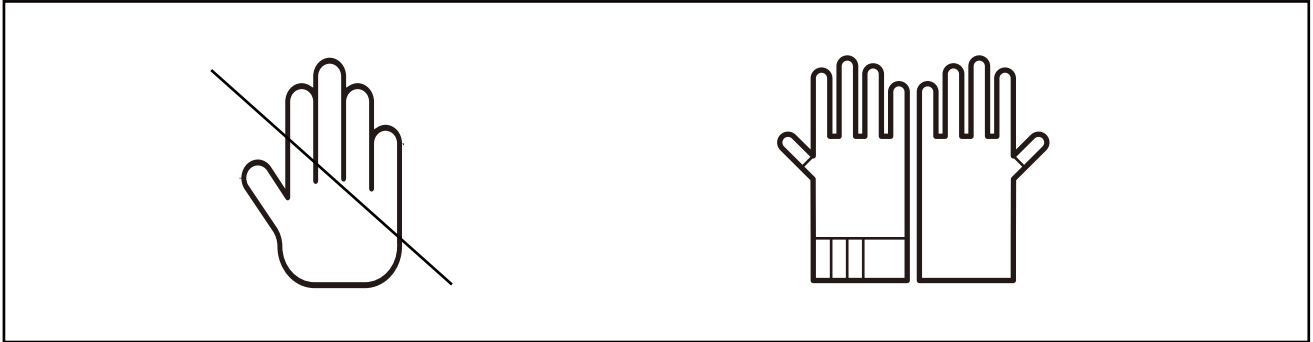
CAUTION: KEEP PARTS AND PACKAGING OUT OF REACH OF CHILDREN. Small hardware can be a choking hazard. Packaging could lead to suffocation. Keep children away until after assembly.



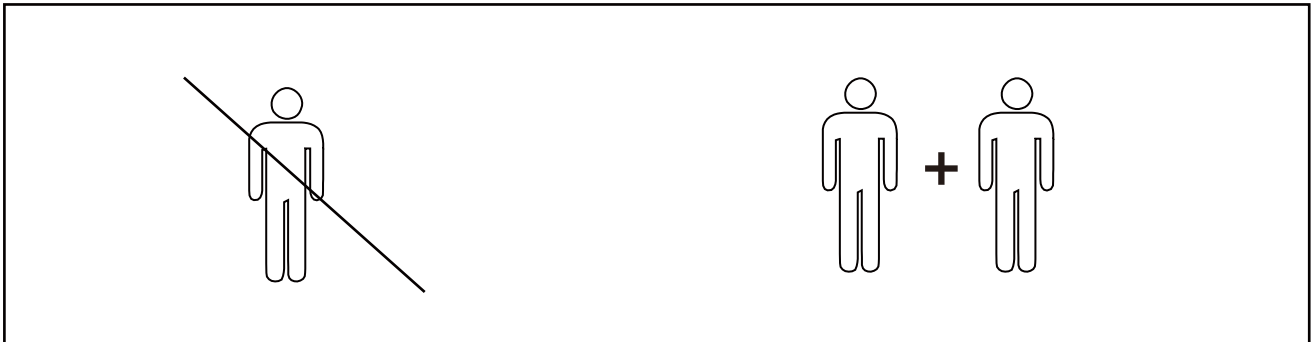
If the privacy screen will be used in a strong wind area, we highly recommend you using four Hex-Head Sleeve Anchors to fix the privacy screen on solid ground.

Before assembling, we recommend:

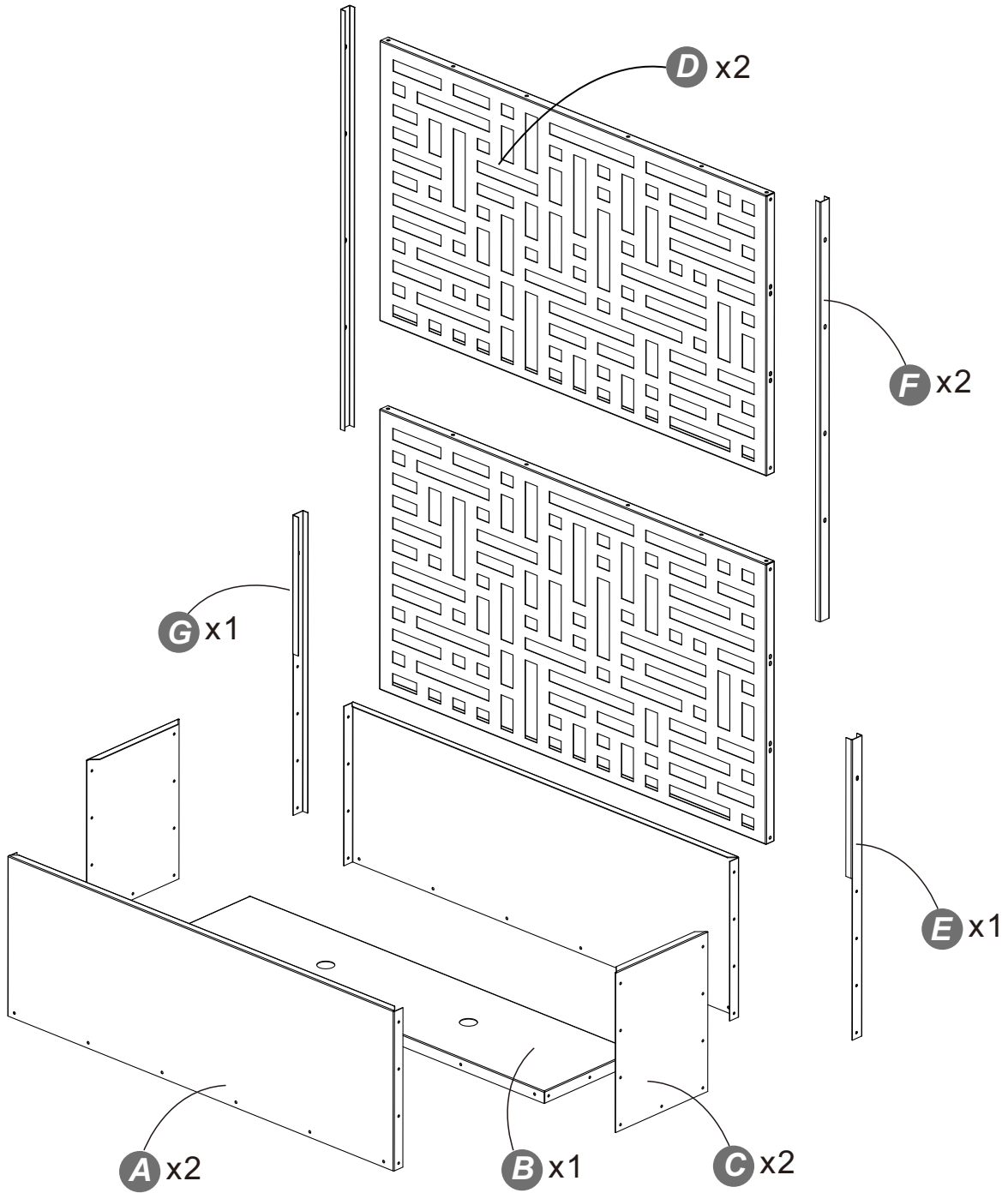
1. Wear Gloves.

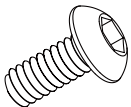
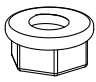


2. Ask for a Helping Hand.





PART LIST

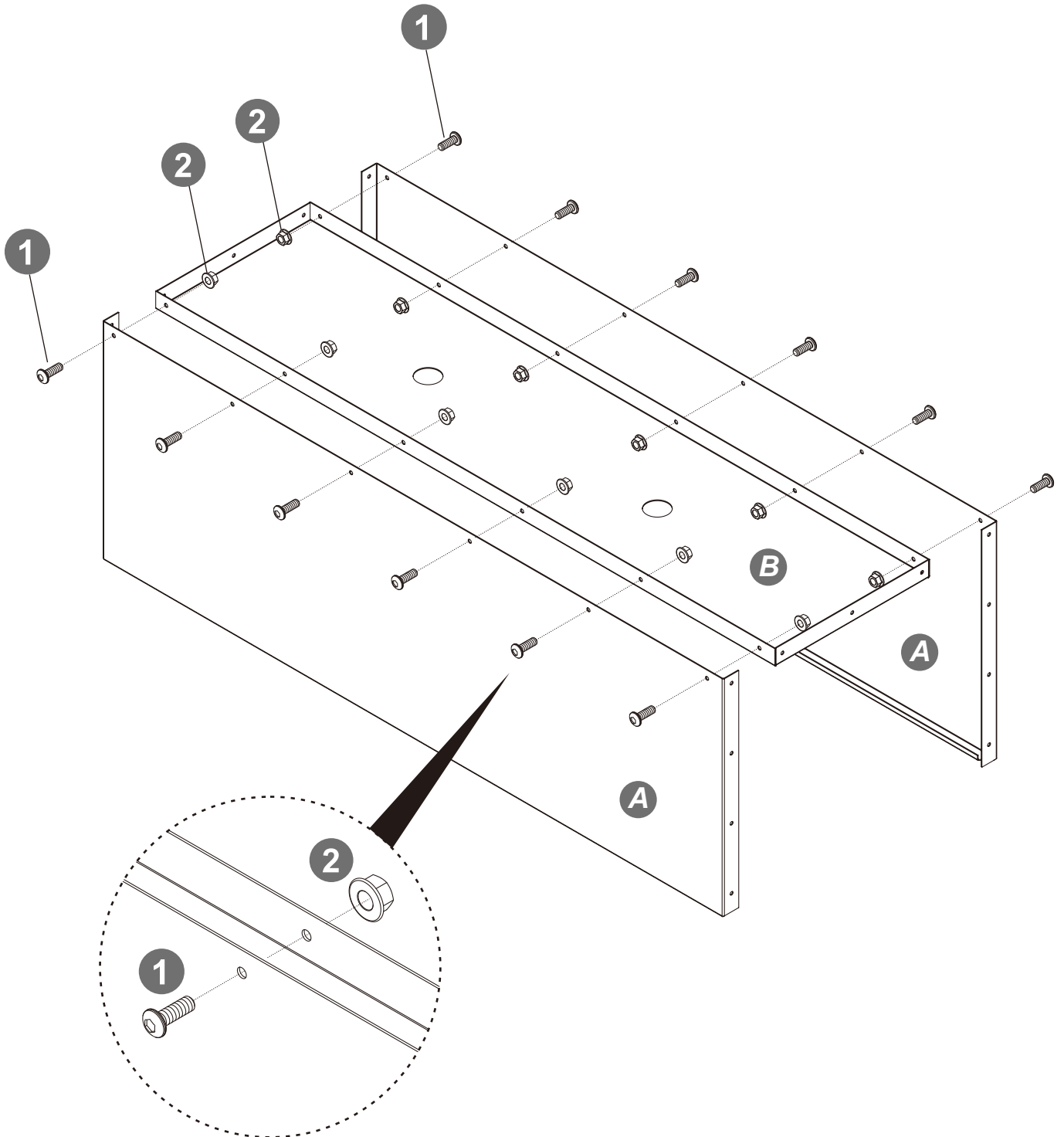


<p>1</p>  <p>M6*10MM</p> <p>x44</p>	<p>2</p>  <p>M6</p> <p>x44</p>
---	--

STEP

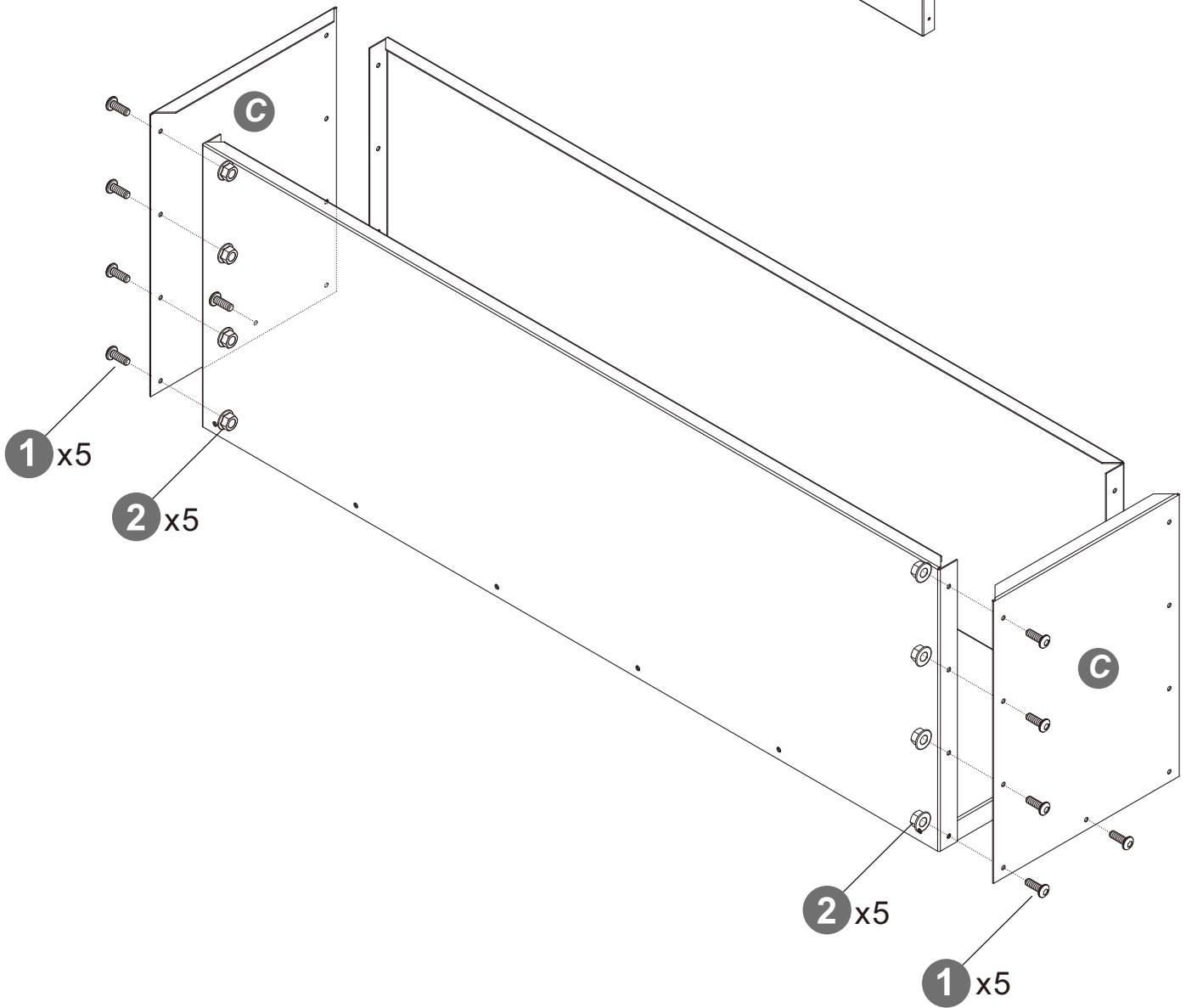
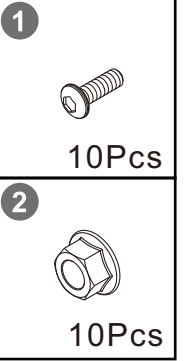
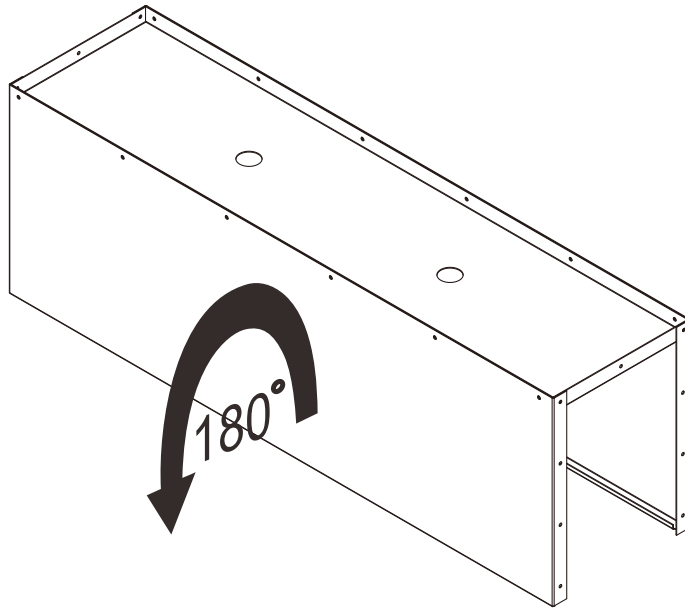
1

1	
	12Pcs
2	
	12Pcs



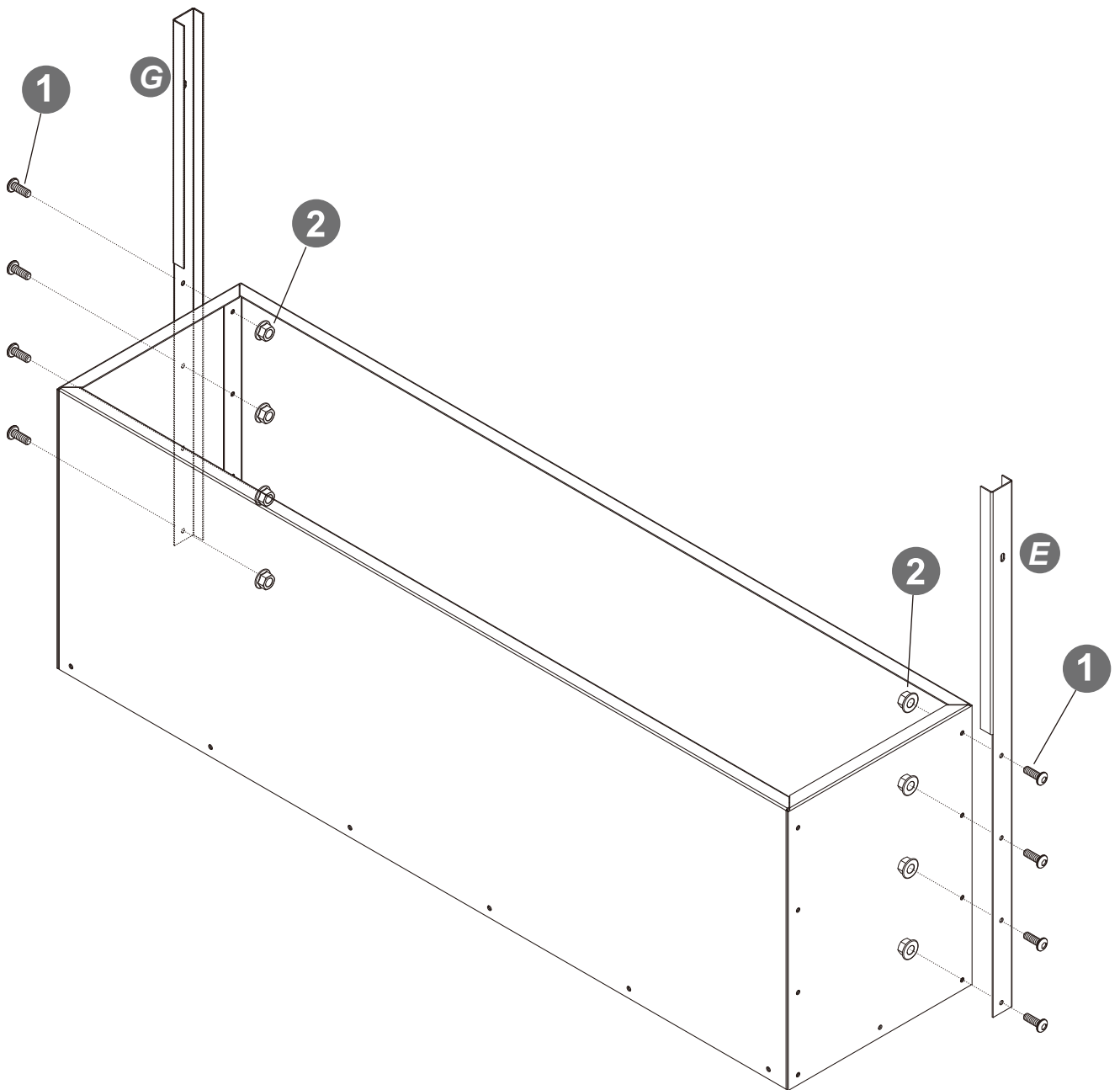
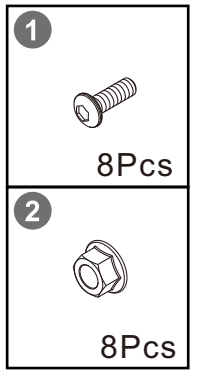
STEP

2



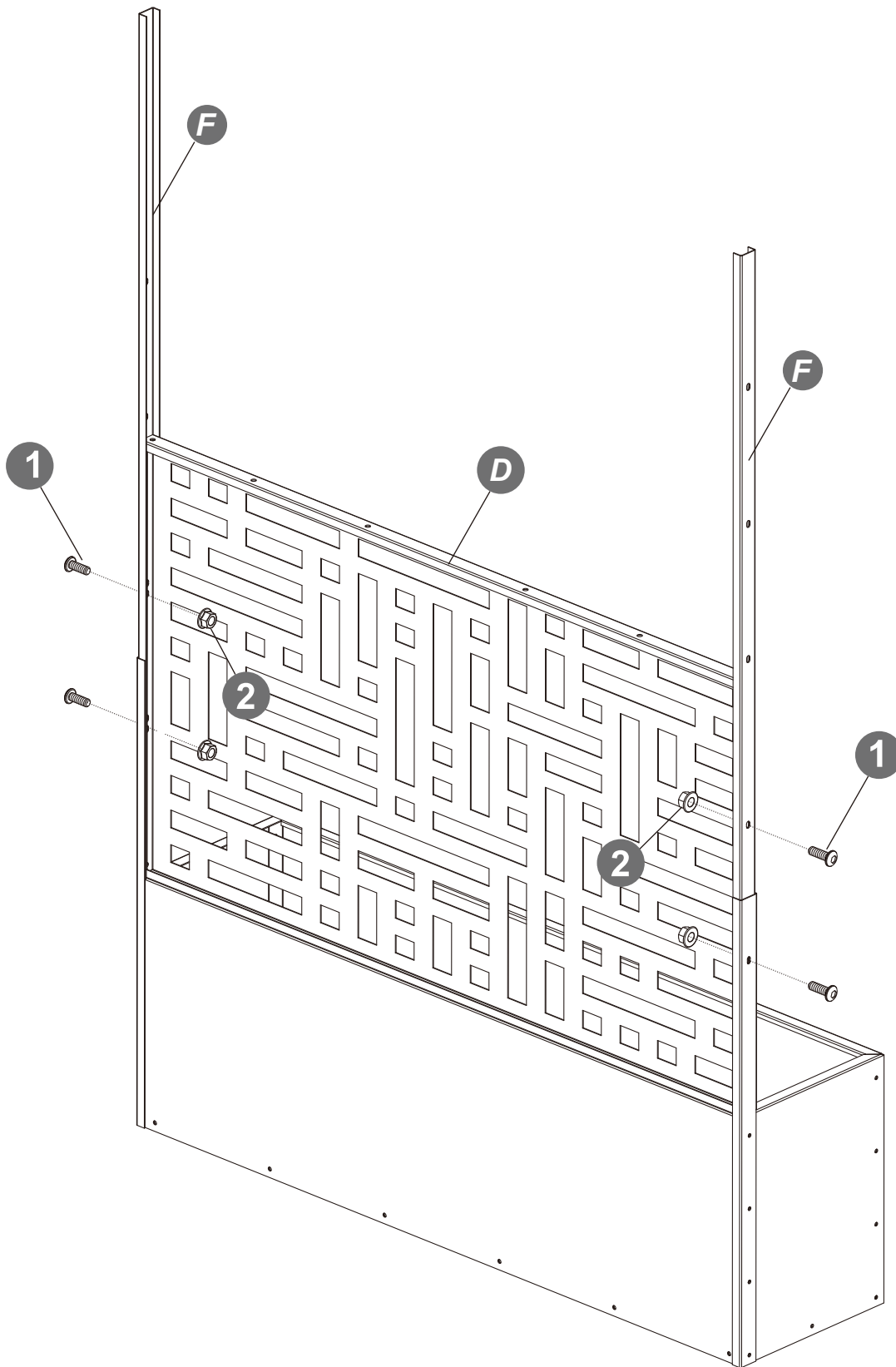
STEP



3



STEP

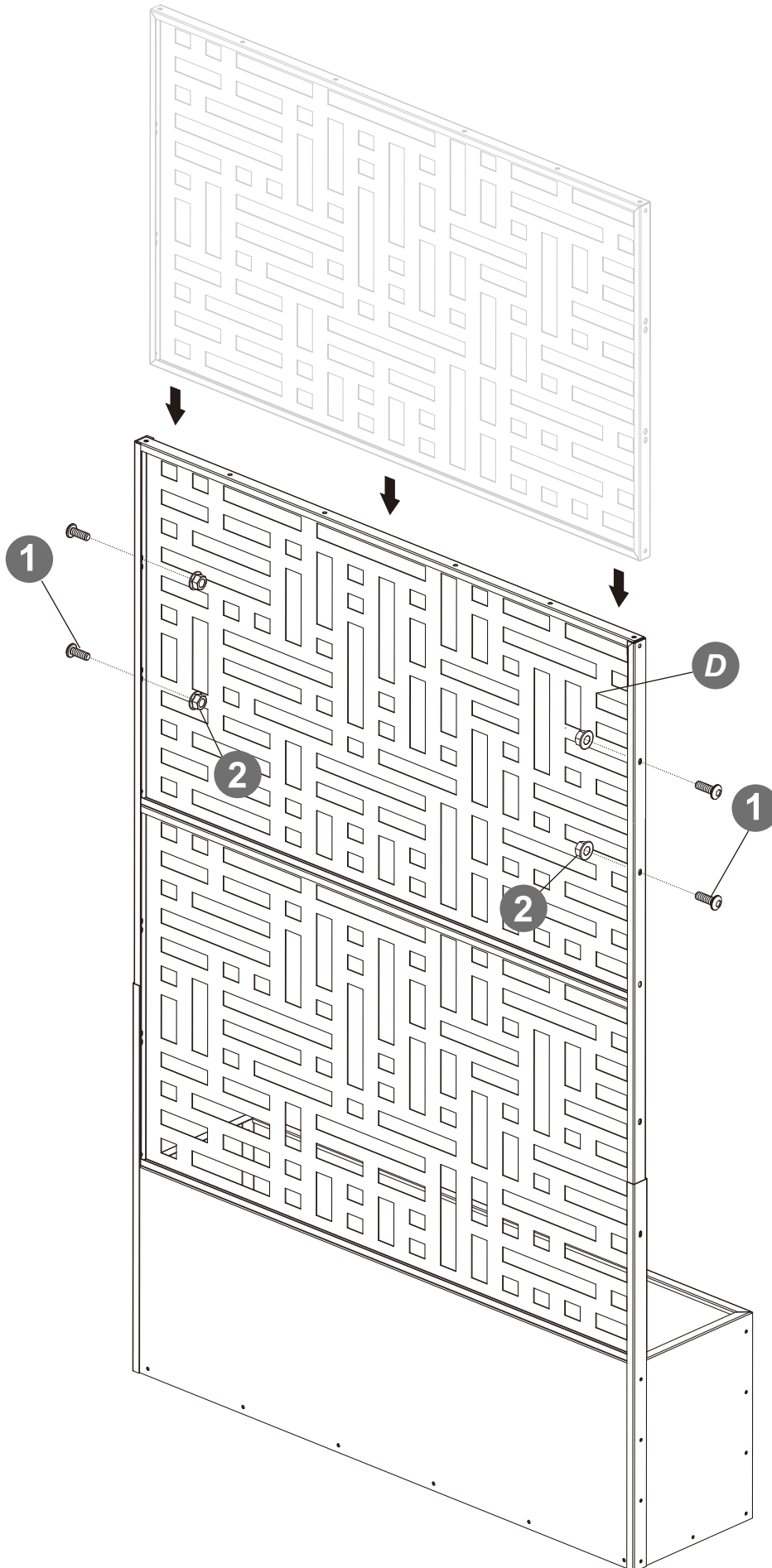
4





1		4Pcs
2		4Pcs

STEP

5



- | | | |
|---|---|------|
| 1 |  | 4Pcs |
| 2 |  | 4Pcs |

STEP

6

