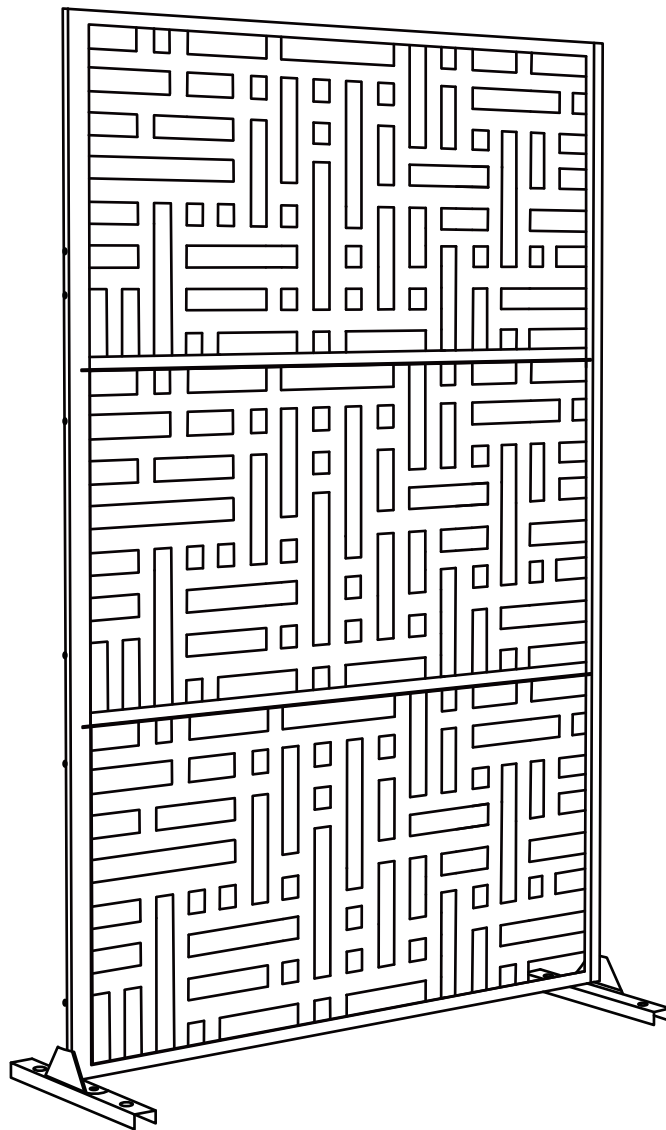


# INSTRUCTION

---

## OUTDOOR PRIVACY SCREEN



# NOTICE

---

Thank you for your purchase!

Missing pieces, need help with assembly or have broken parts?

Please reach out to our customer service team directly via email:  
[patioservices@gmail.com](mailto:patioservices@gmail.com)

Customer Service Email: [patioservices@gmail.com](mailto:patioservices@gmail.com)

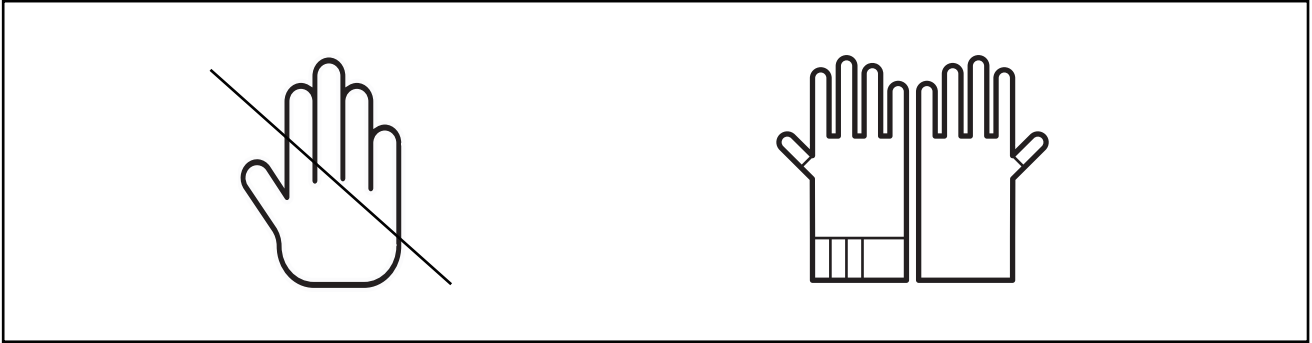
CAUTION: KEEP PARTS AND PACKAGING OUT OF REACH OF CHILDREN. Small hardware can be a choking hazard. Packaging could lead to suffocation. Keep children away until after assembly.



If the privacy screen will be used in a strong wind area, we highly recommend you using four Hex-Head Sleeve Anchors to fix the privacy screen on solid ground.

Before assembling, we recommend:

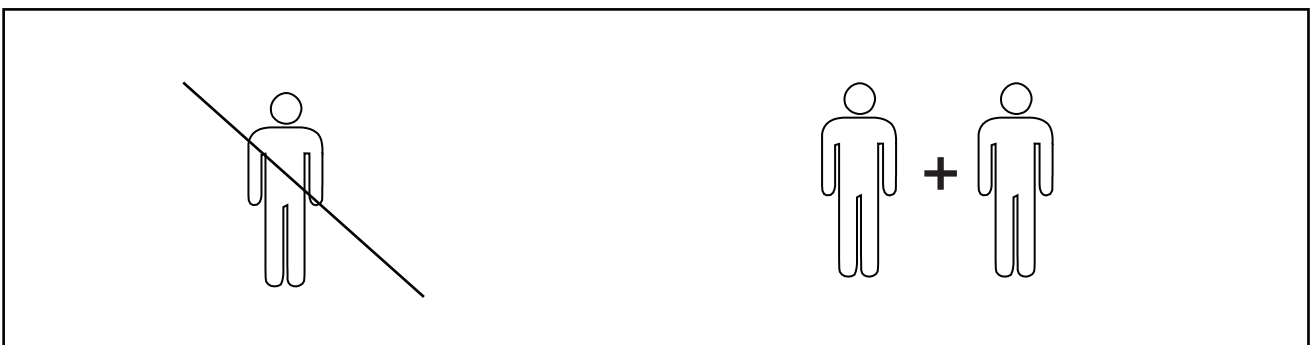
1. Wear Gloves.



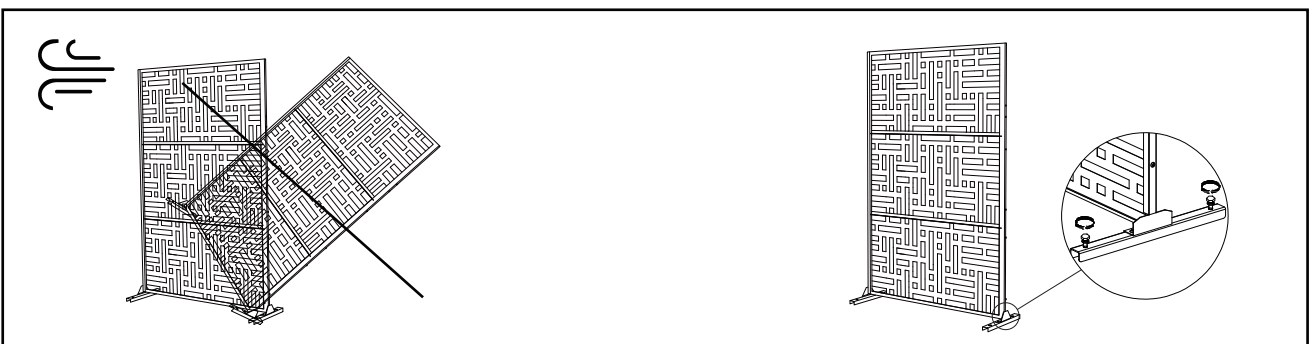
2. Don't assemble the privacy screen on a Hard Surface.



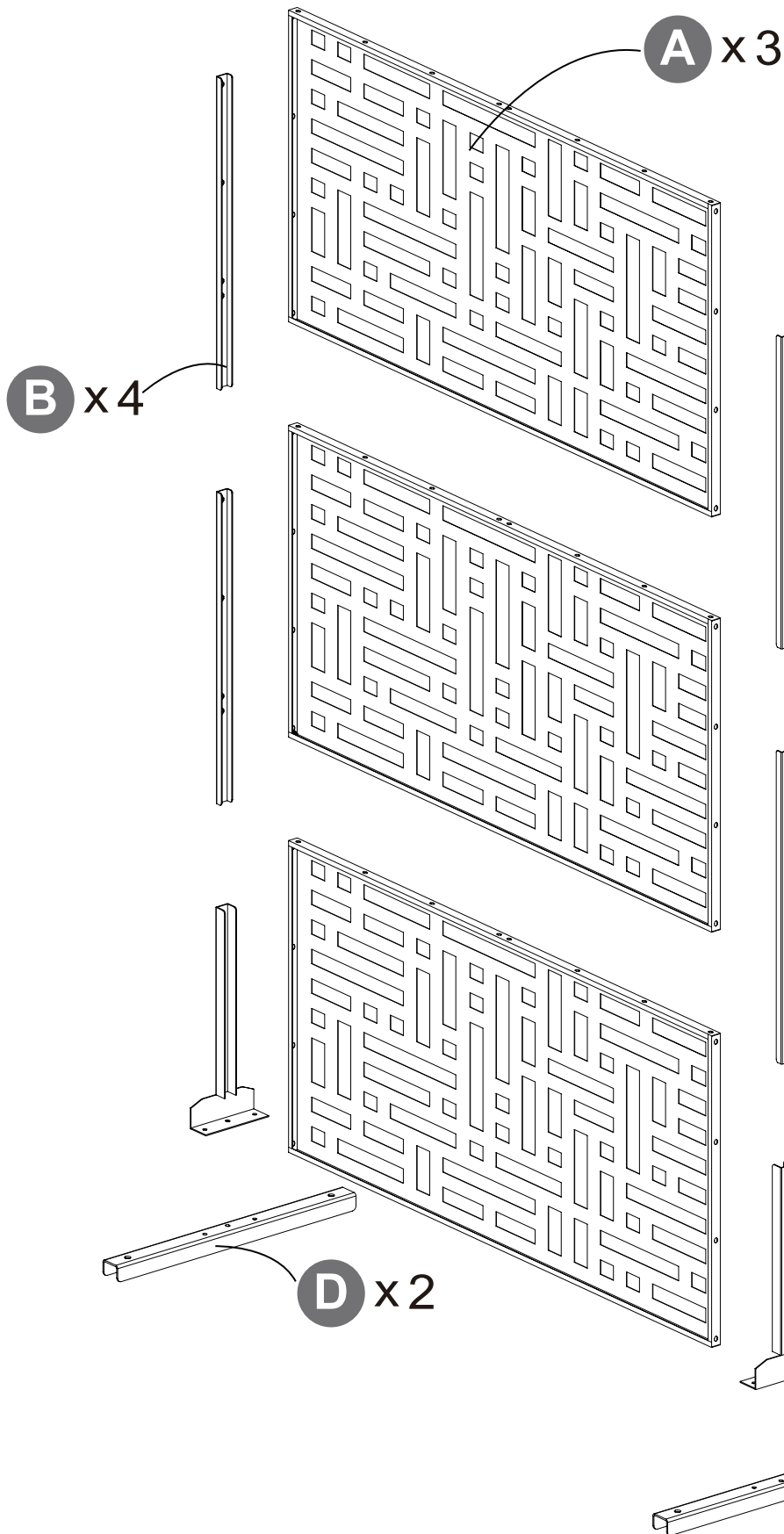
3. Ask for a Helping Hand.

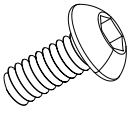
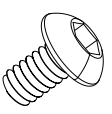
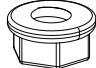
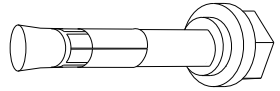


4. Use Hex-Head Sleeve Anchors to fix the privacy screen on solid ground.



# PART LIST

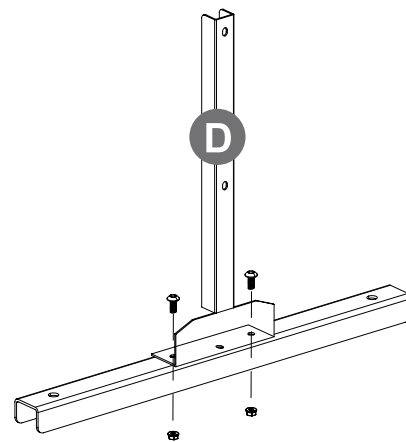
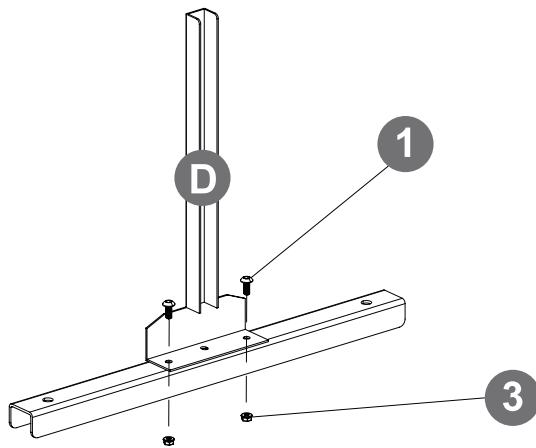
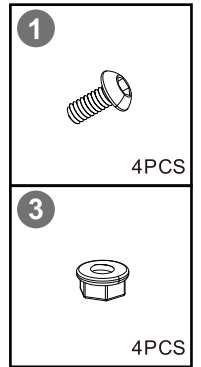


<b>1</b>		M6*16MM	x 6
<b>2</b>		M6*10MM	x 32
<b>3</b>		M6	x 38
<b>4</b>		M10*80MM	x 4

# STEP

1

## Installation Type 1



# STEP

2

2

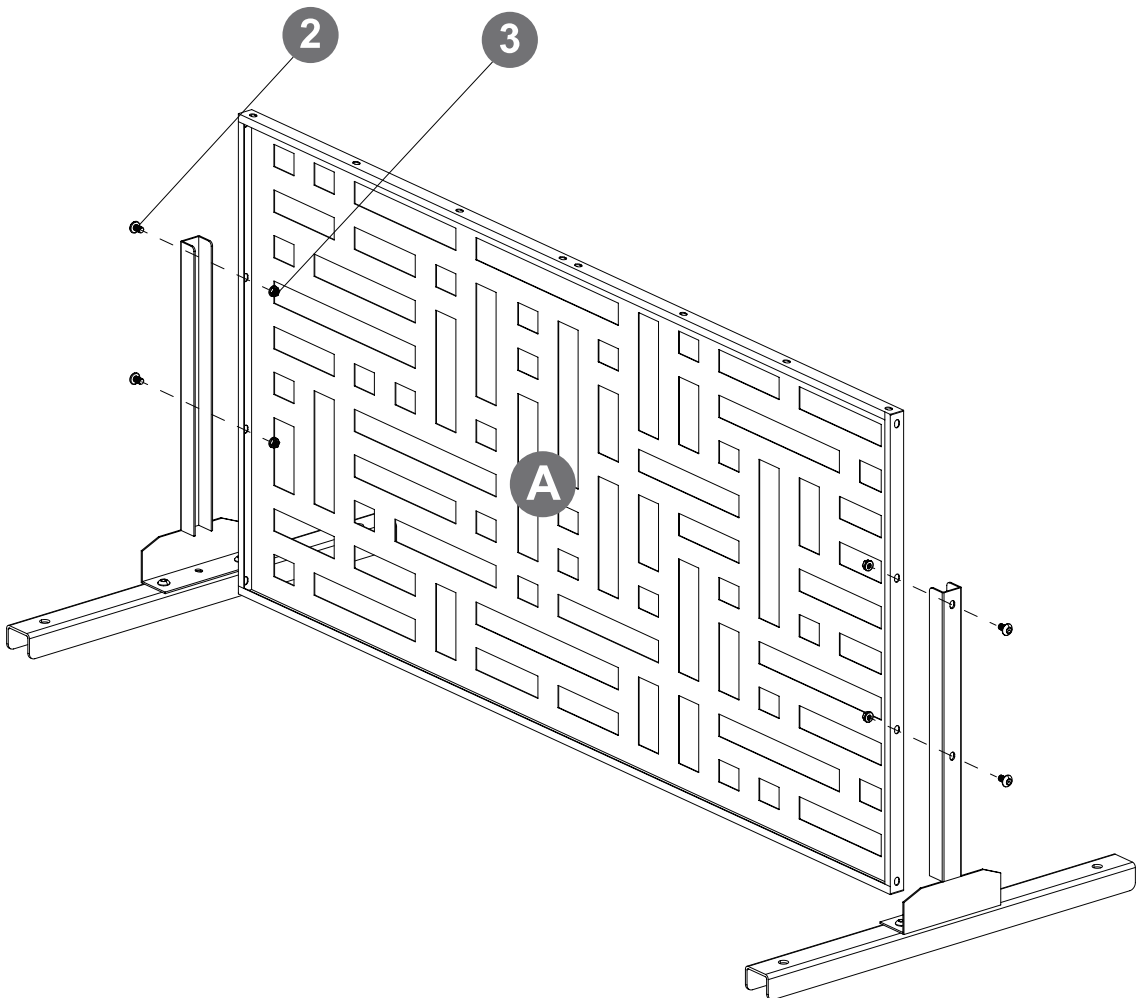


4PCS

3

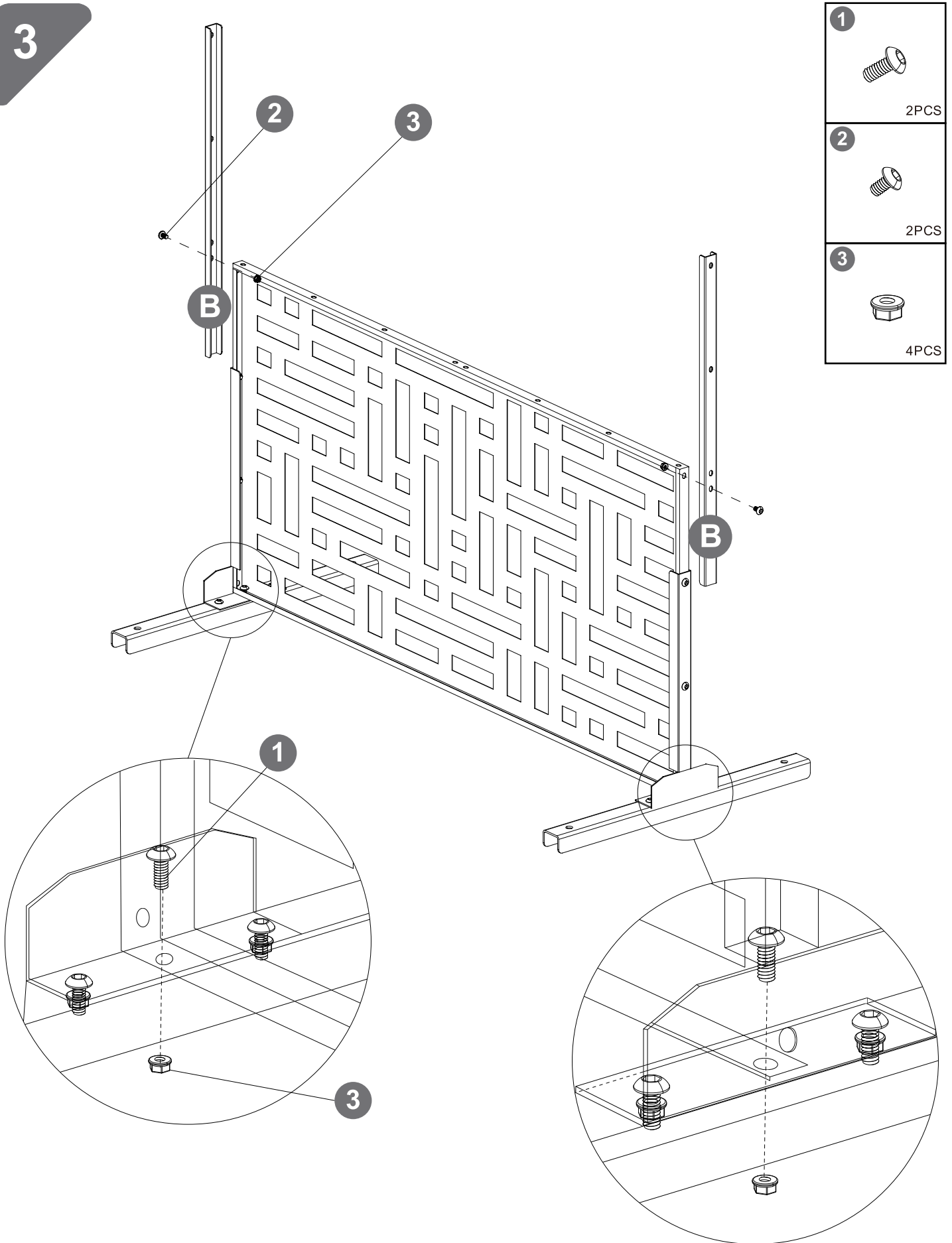


4PCS



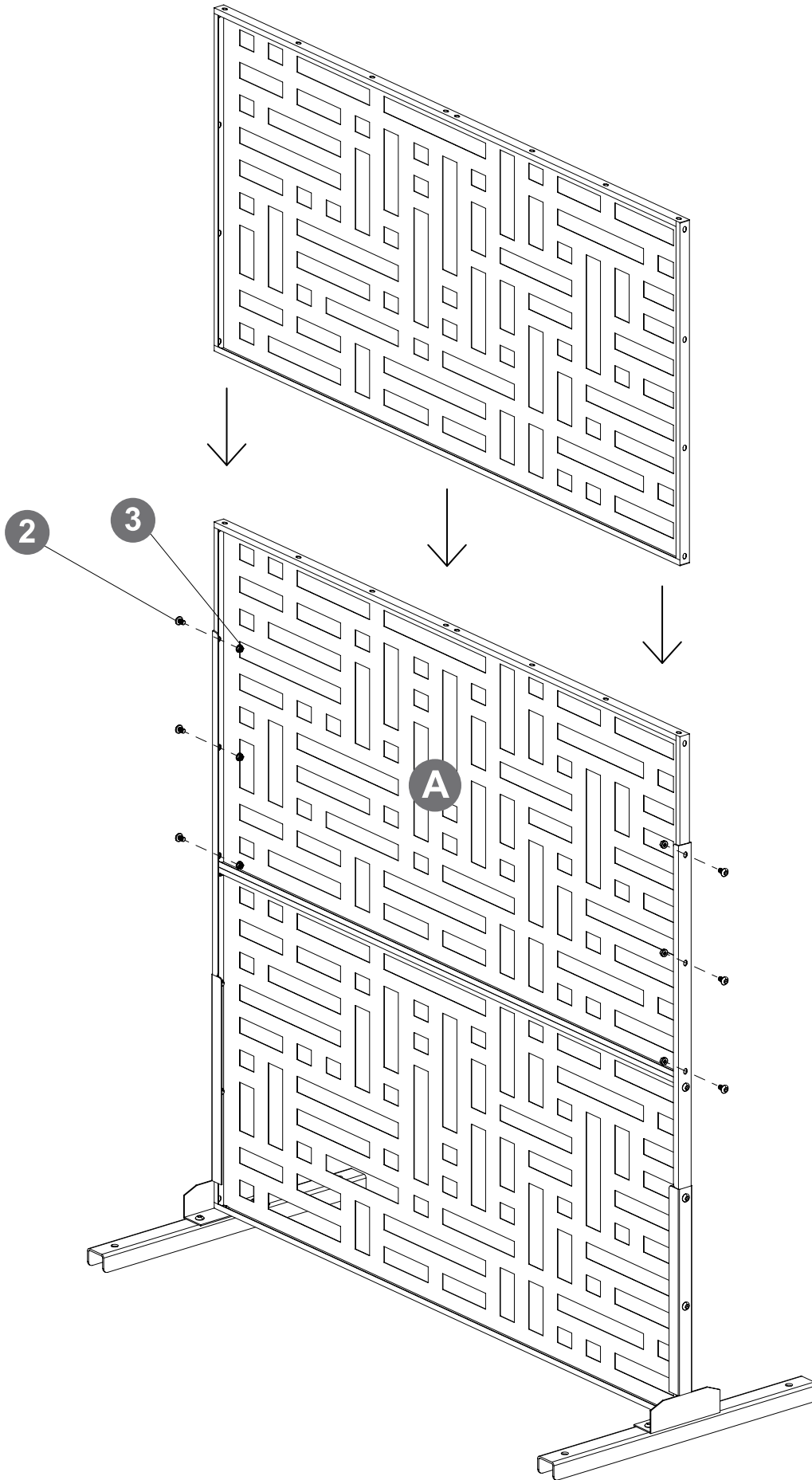
# STEP

3



# STEP

4



2



6PCS

3

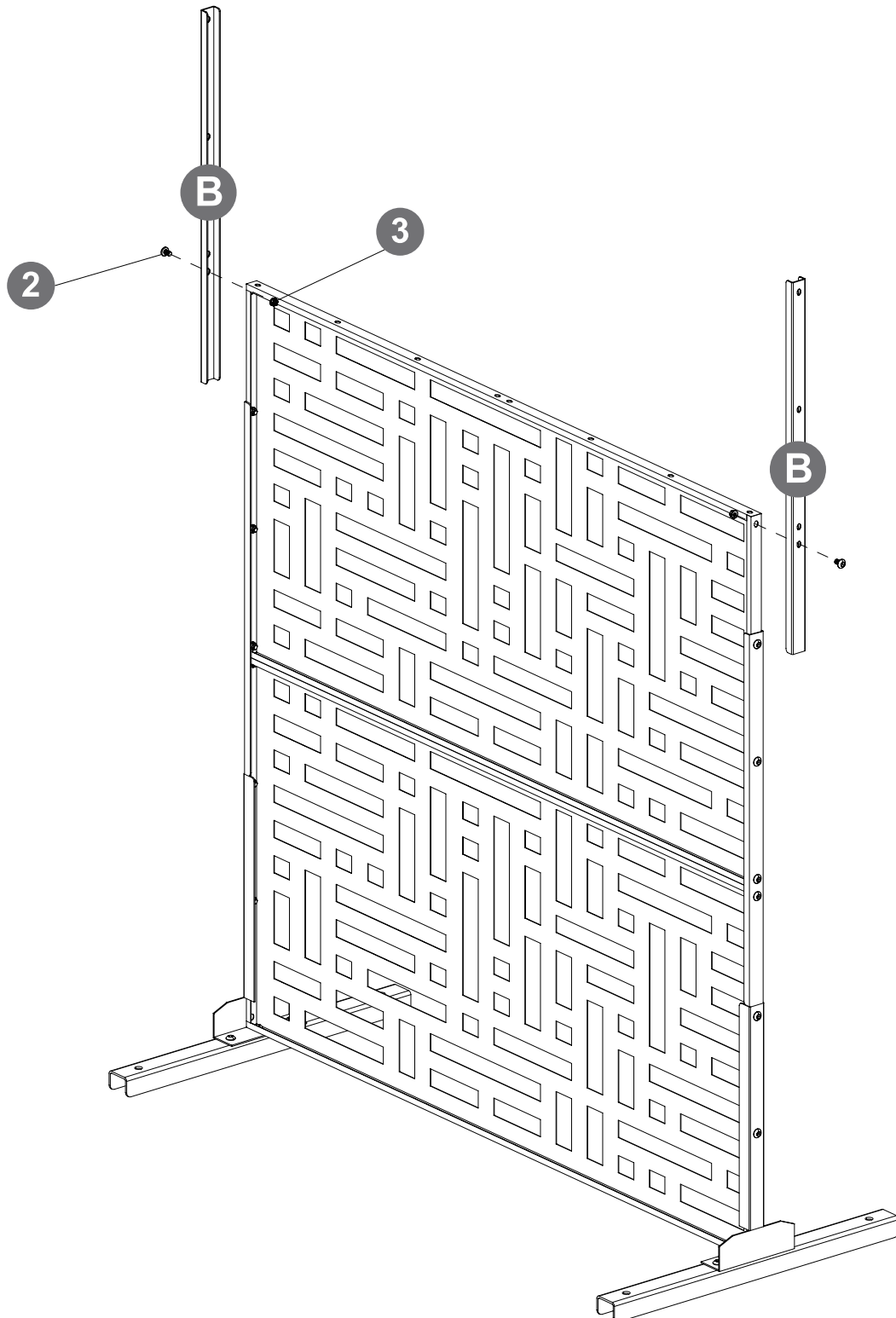
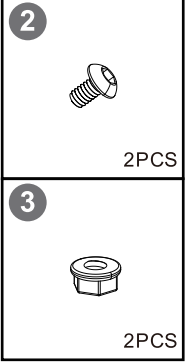


6PCS

7

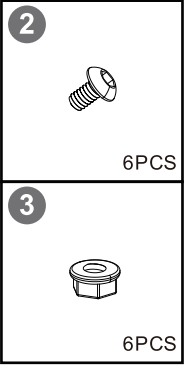
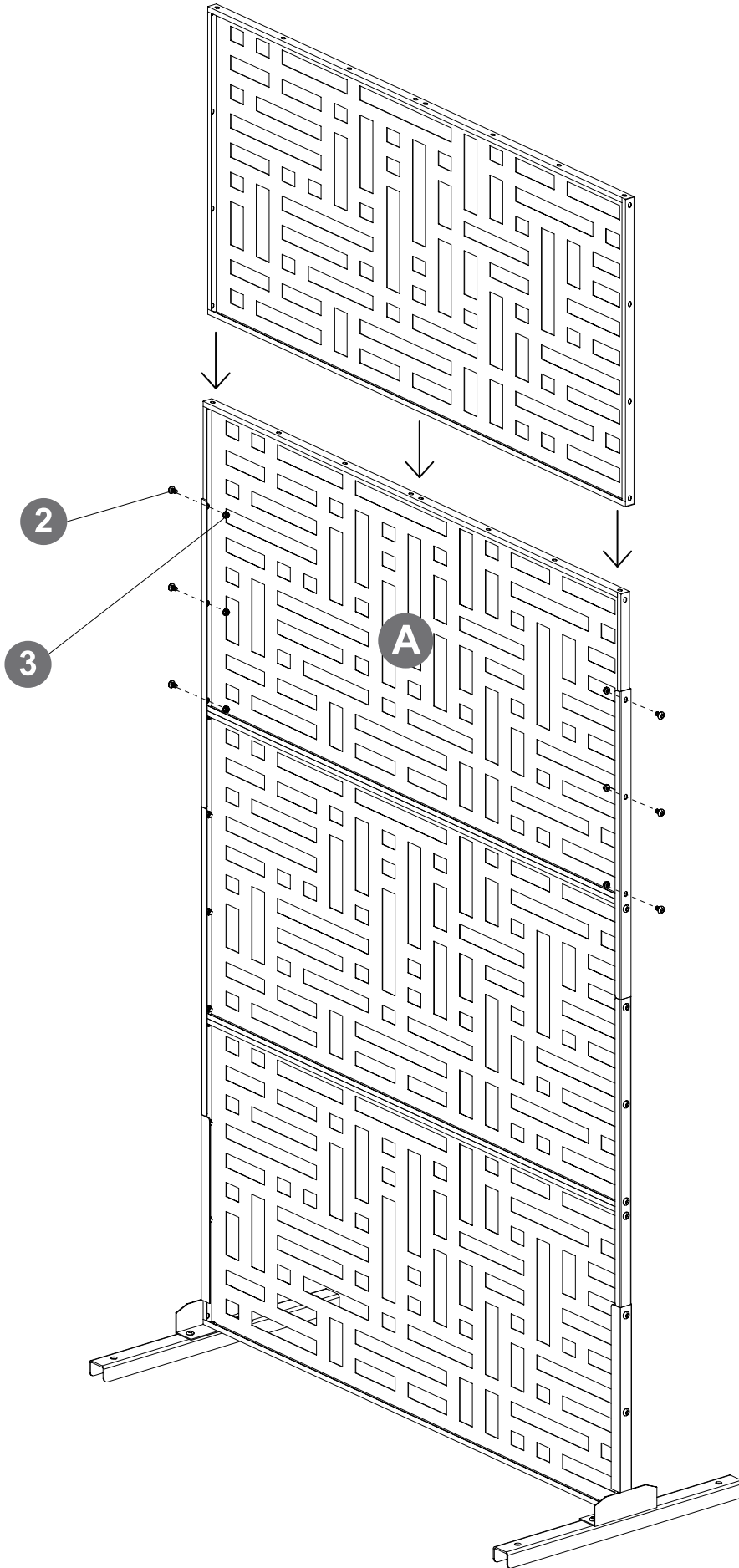
# STEP

5



# STEP

6

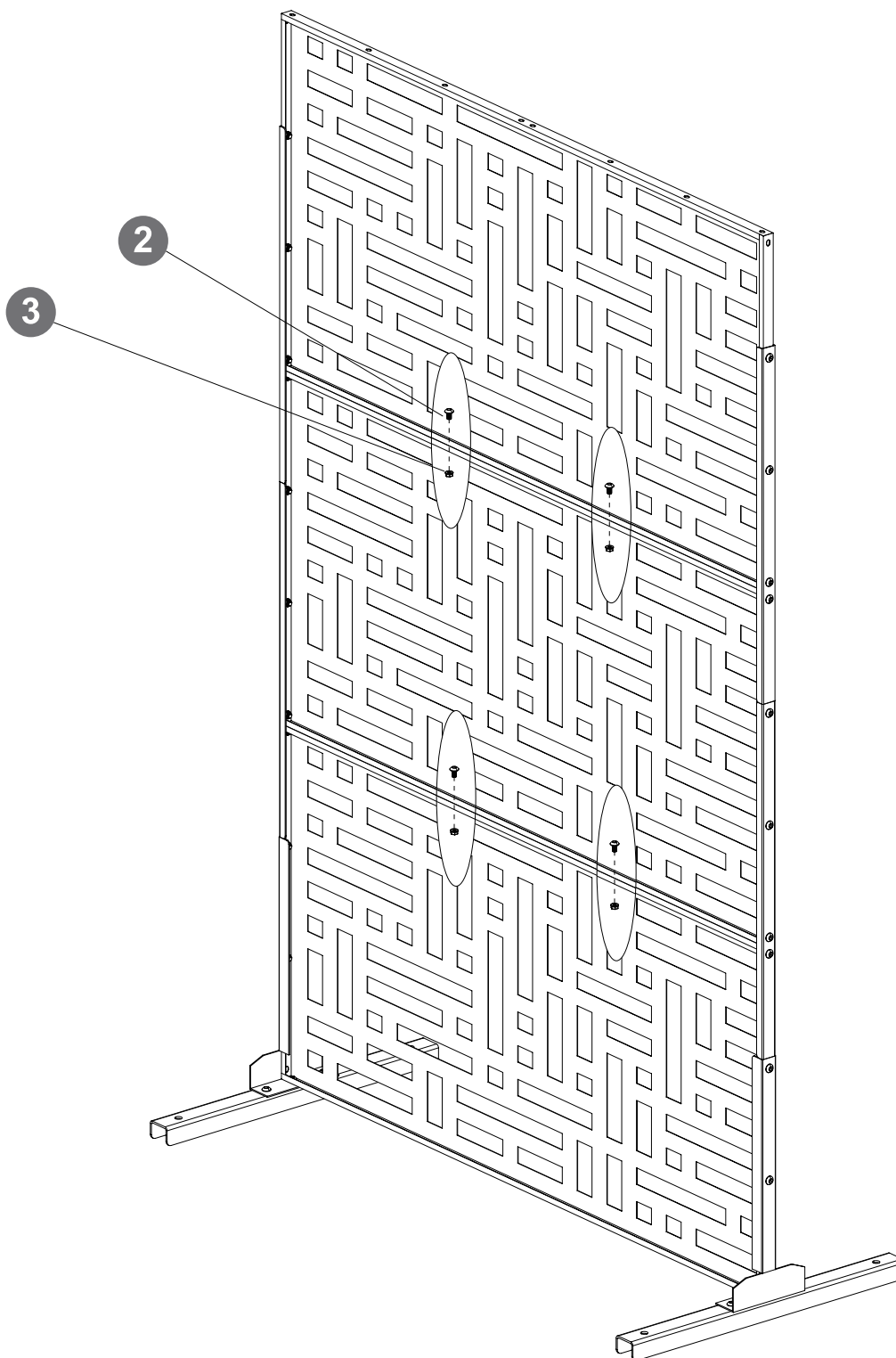
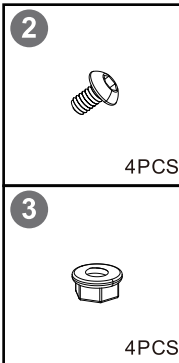


9

# STEP

7

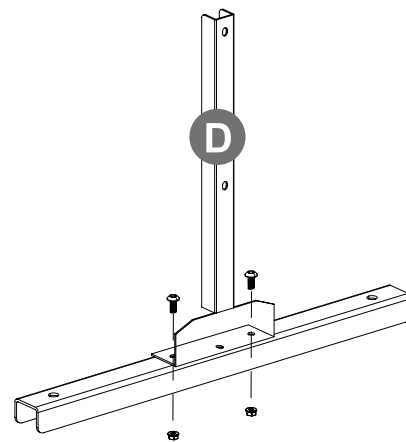
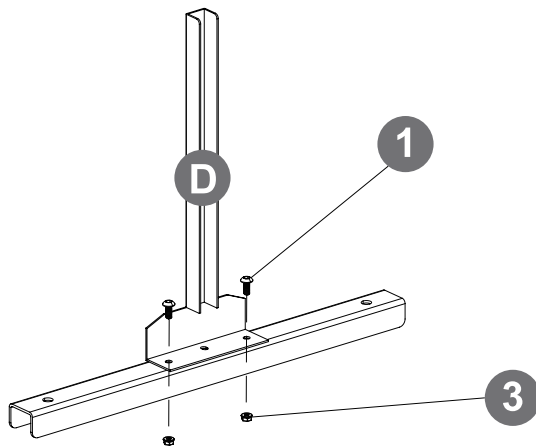
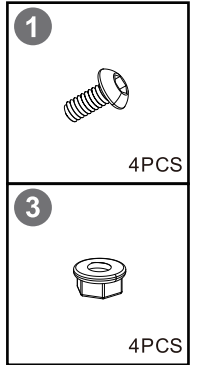
The purpose of the holes without screws between the privacy screen panels is for drainage.



# STEP

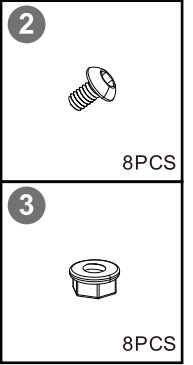
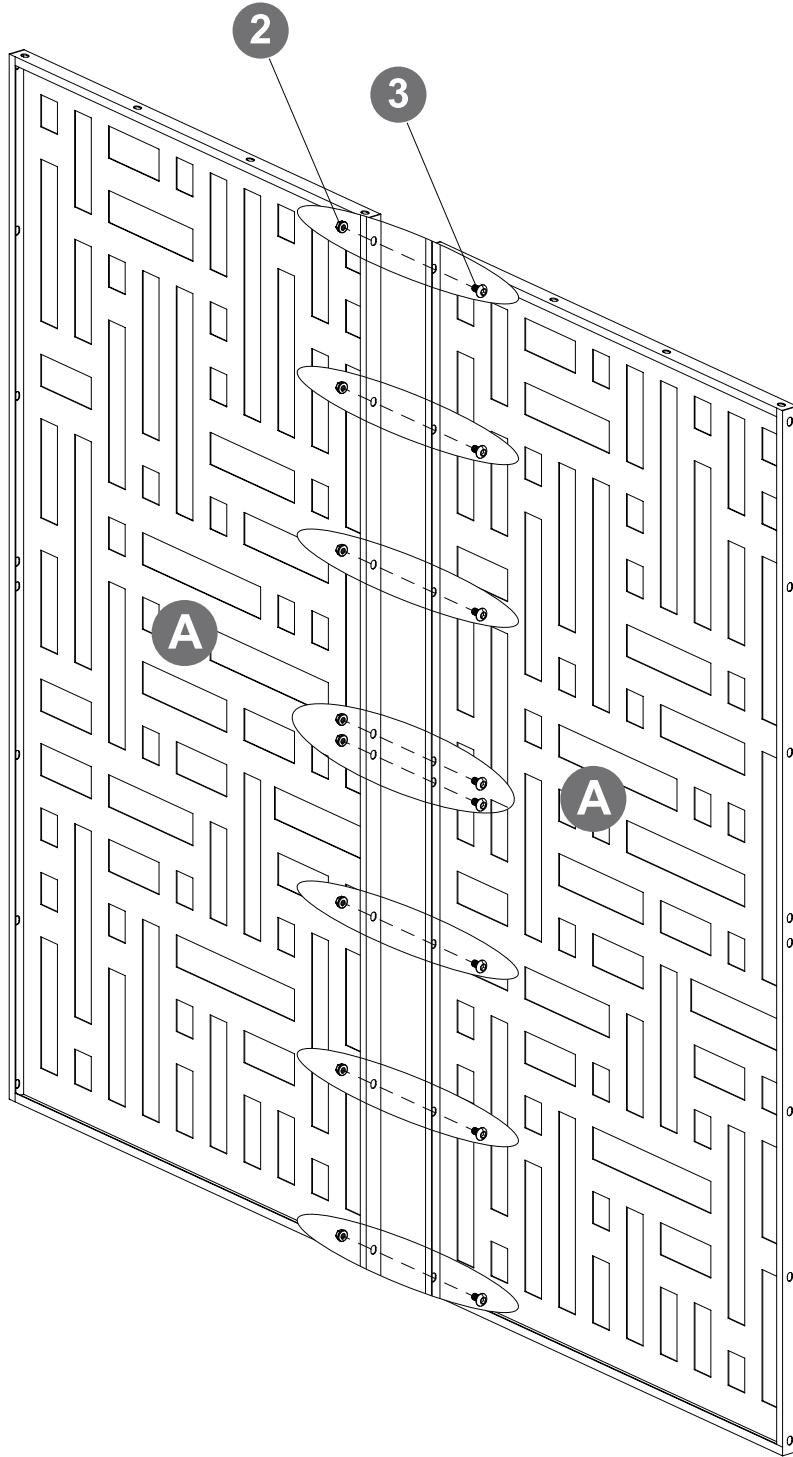
1

## Installation Type 2



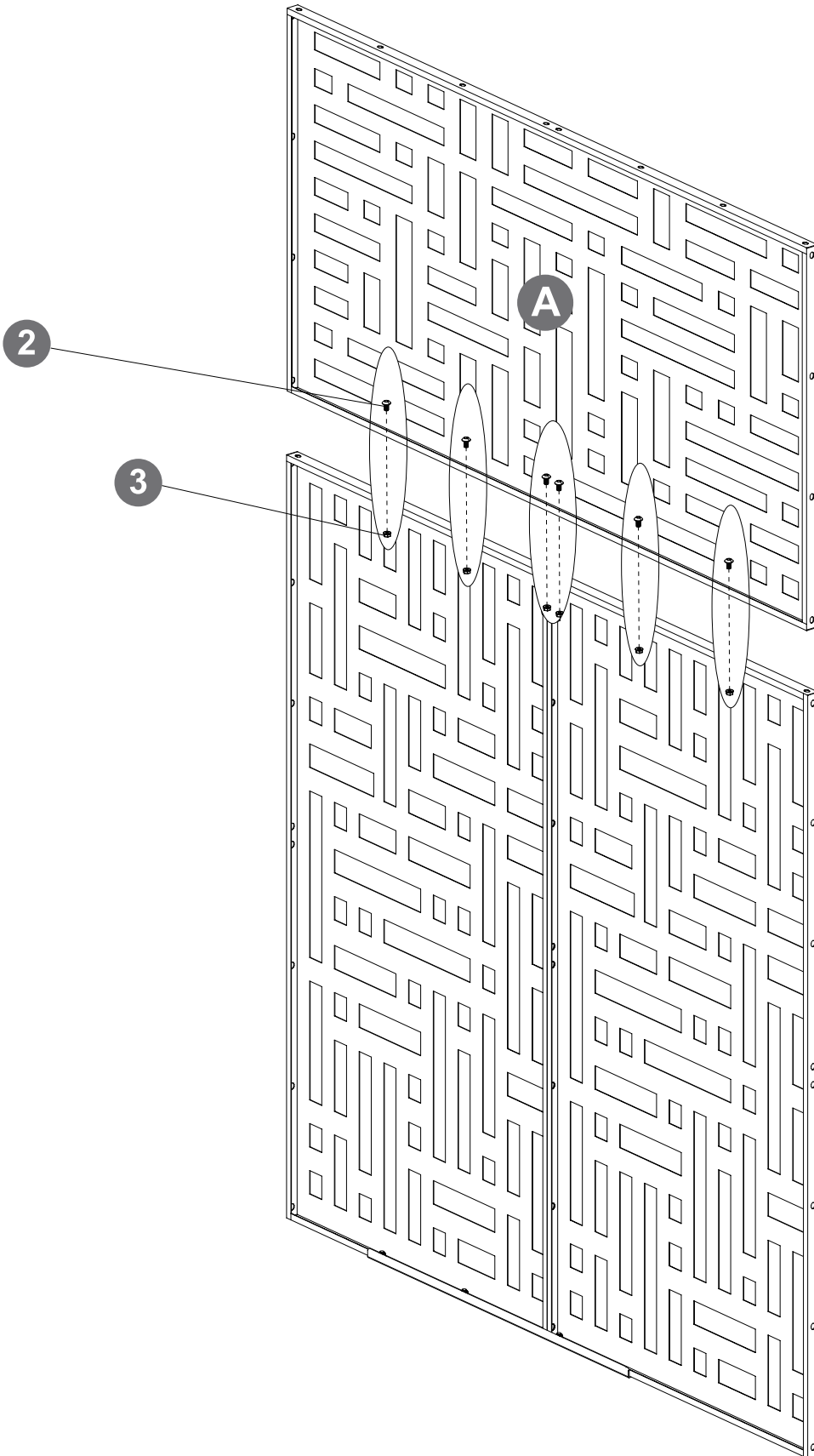
# STEP

2



# STEP

3



2



6PCS

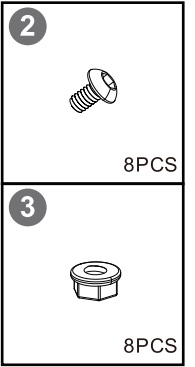
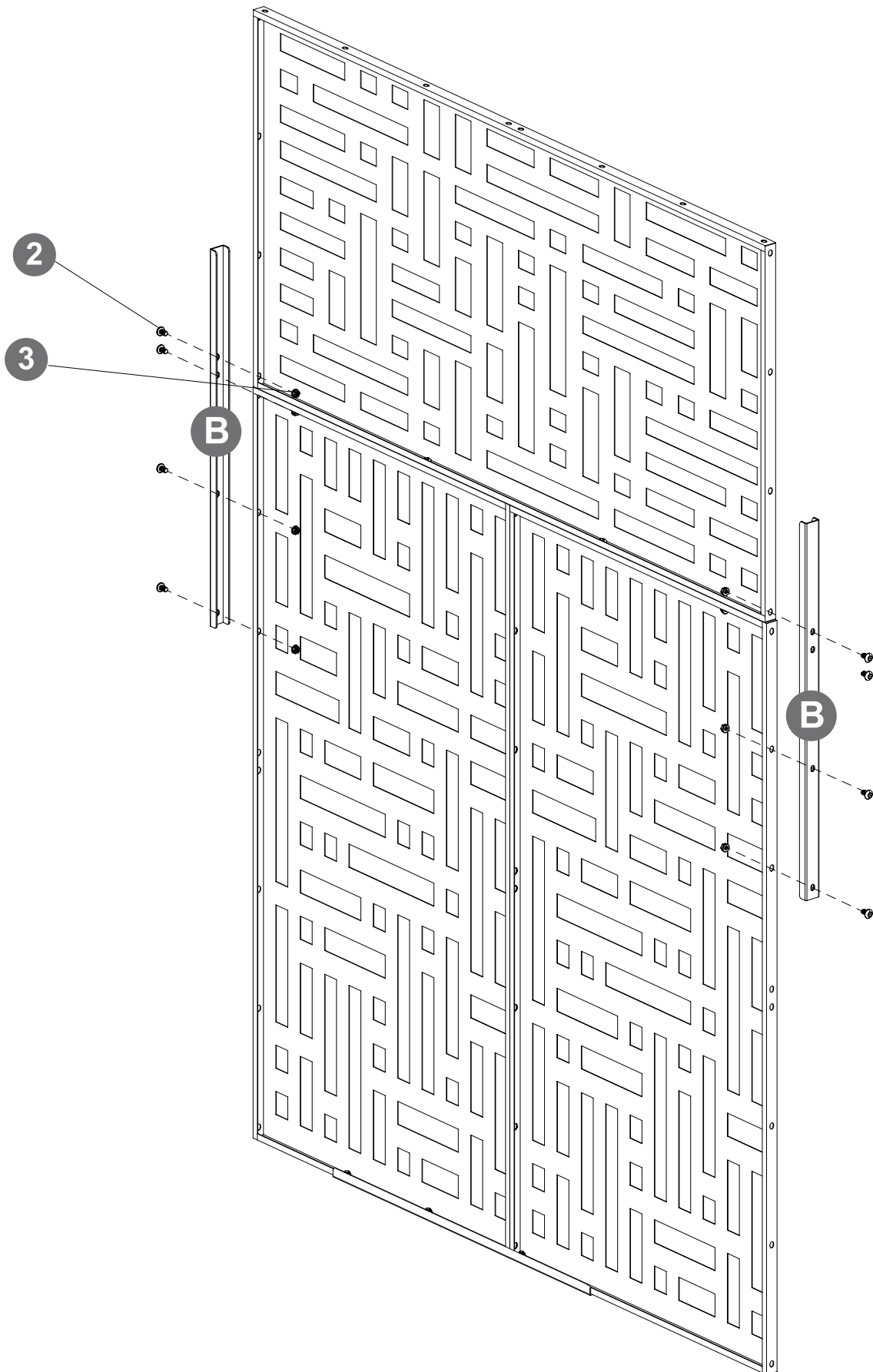
3



6PCS

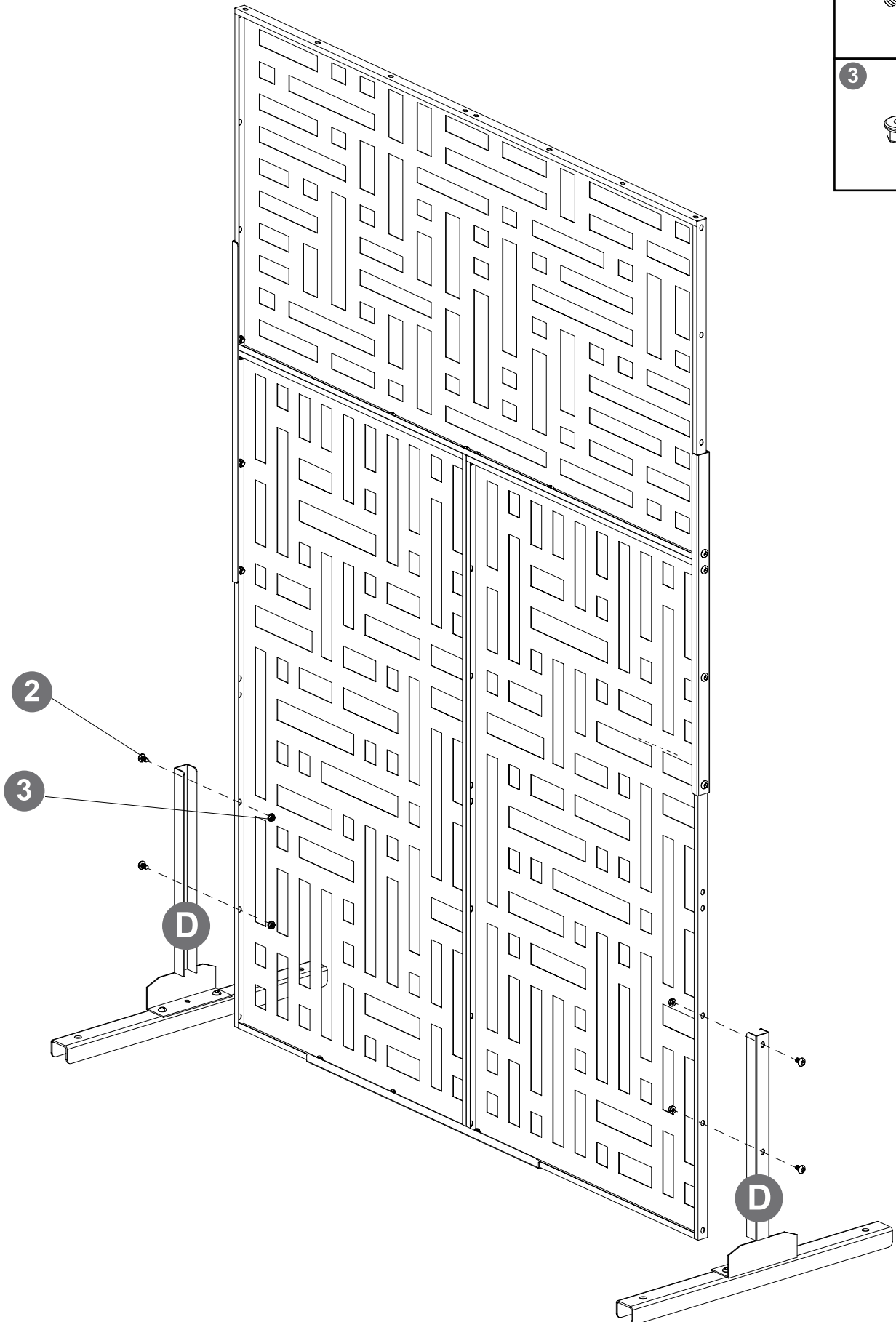
# STEP



4



# STEP

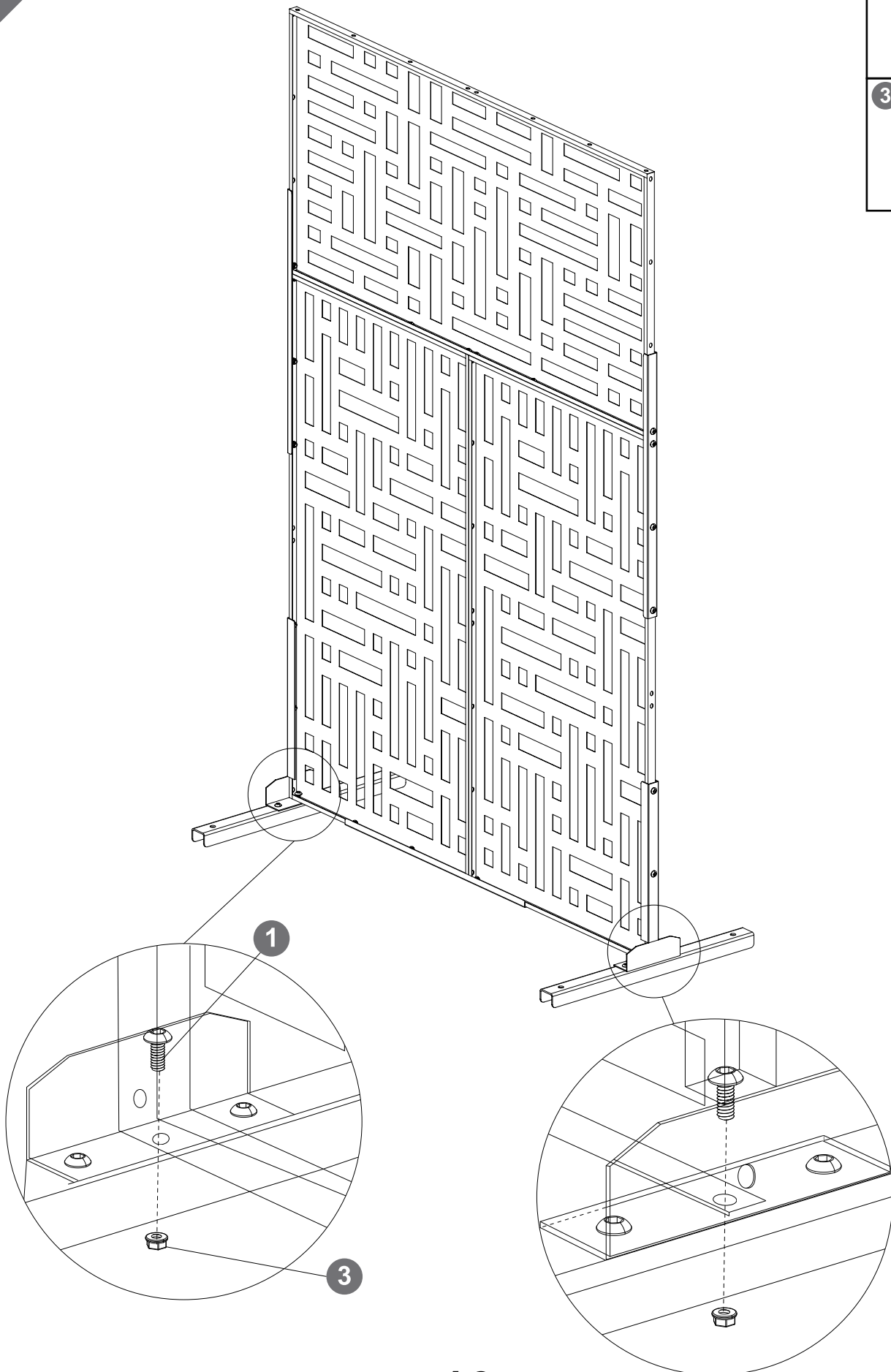
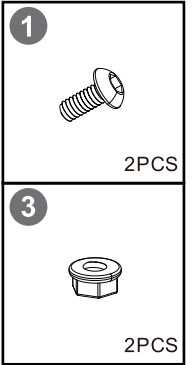
5



2		4PCS
3		4PCS

# STEP

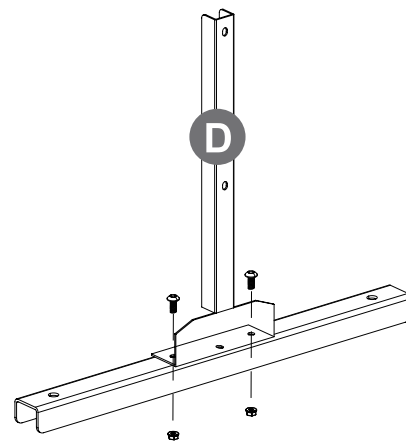
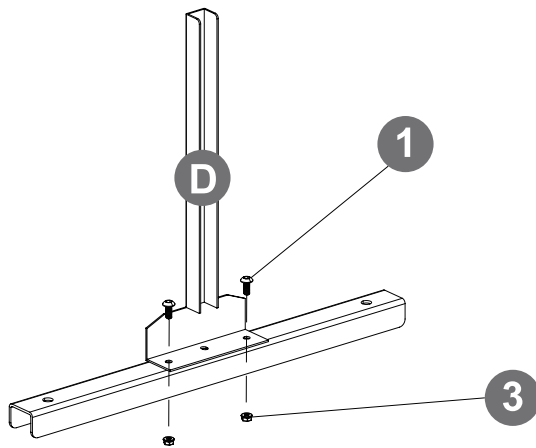
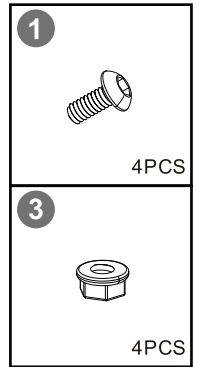
6



# STEP

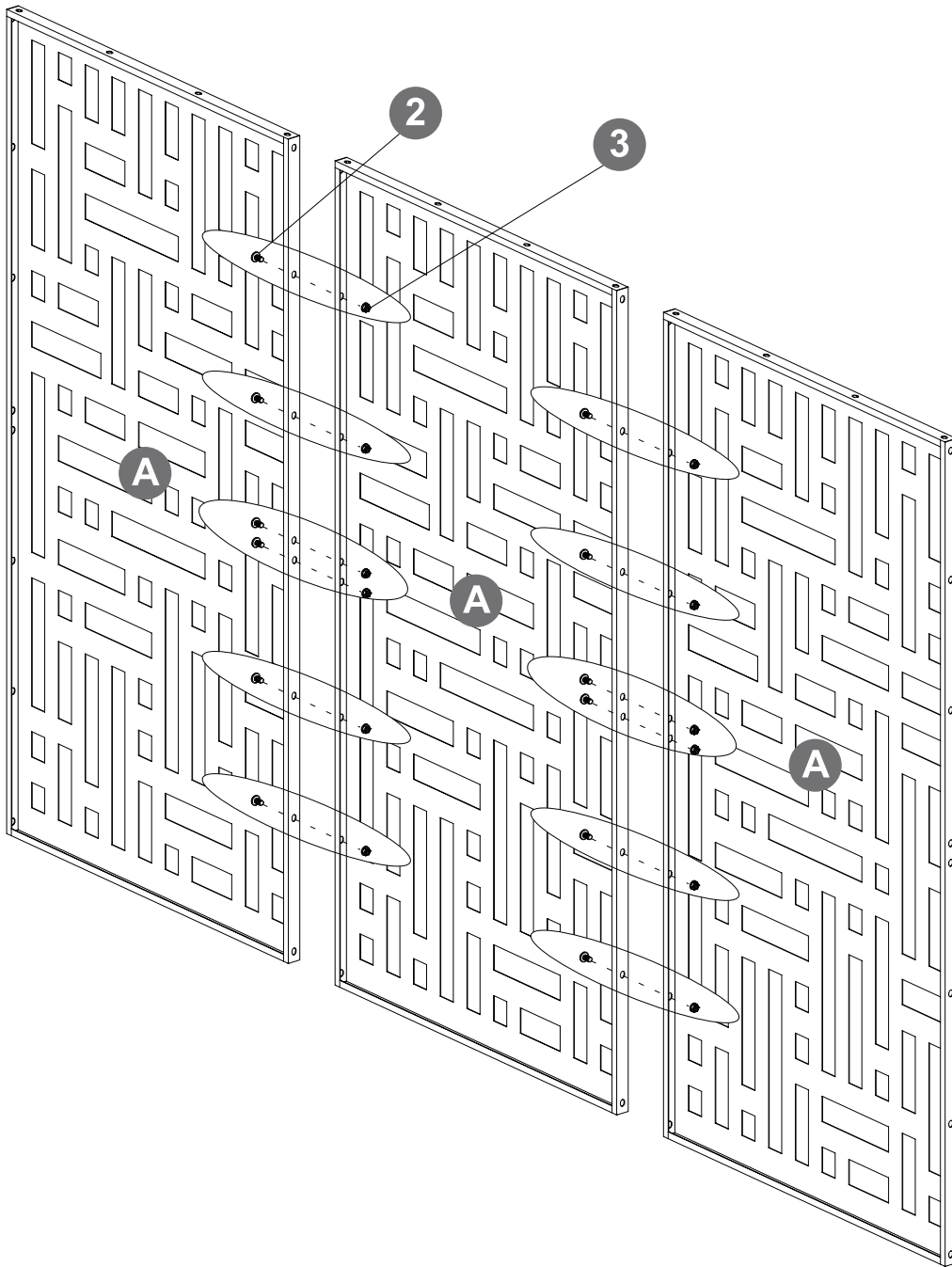
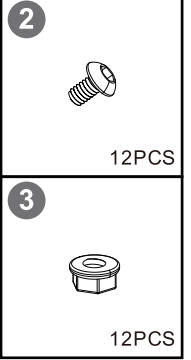
1

## Installation Type 3



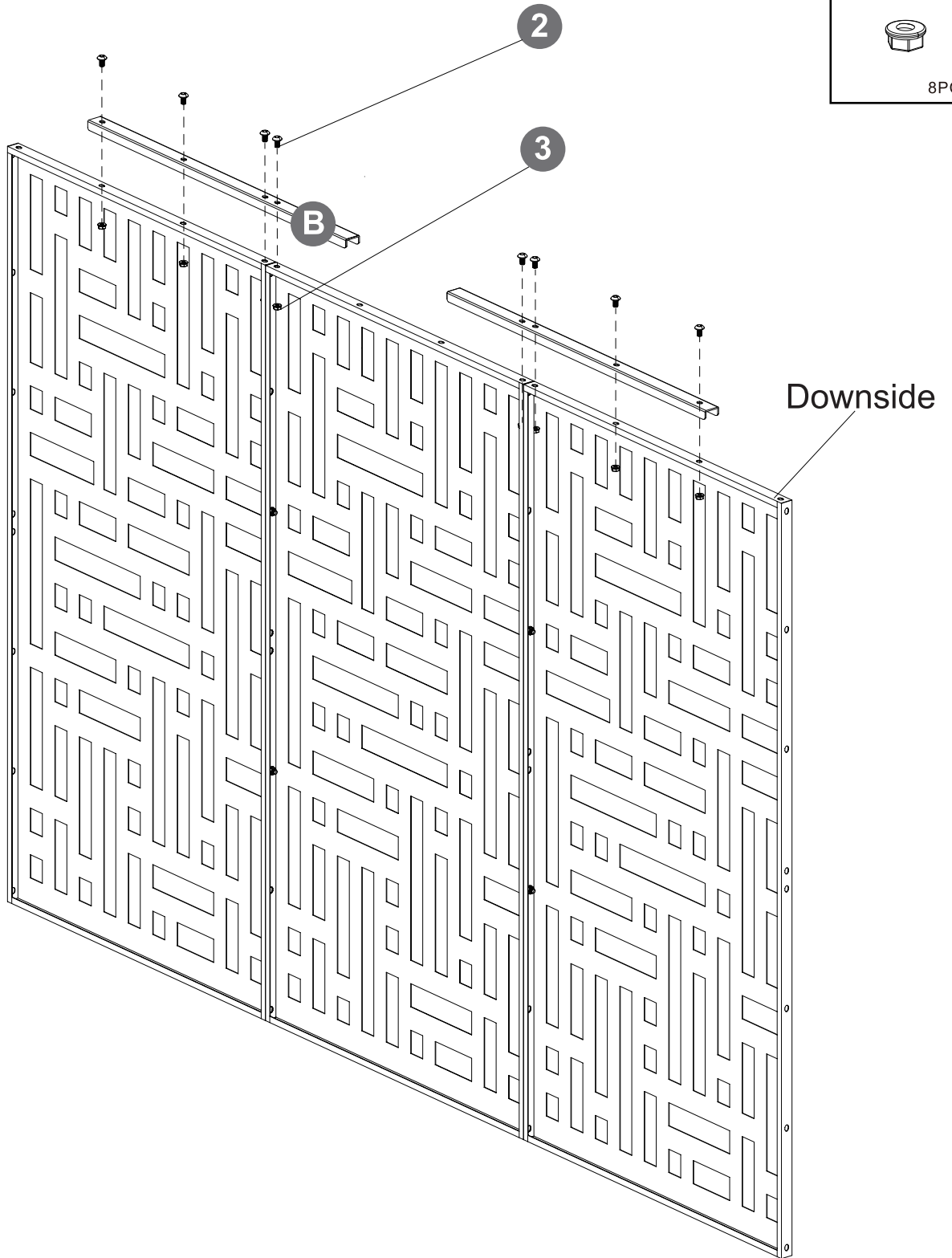
# STEP

2



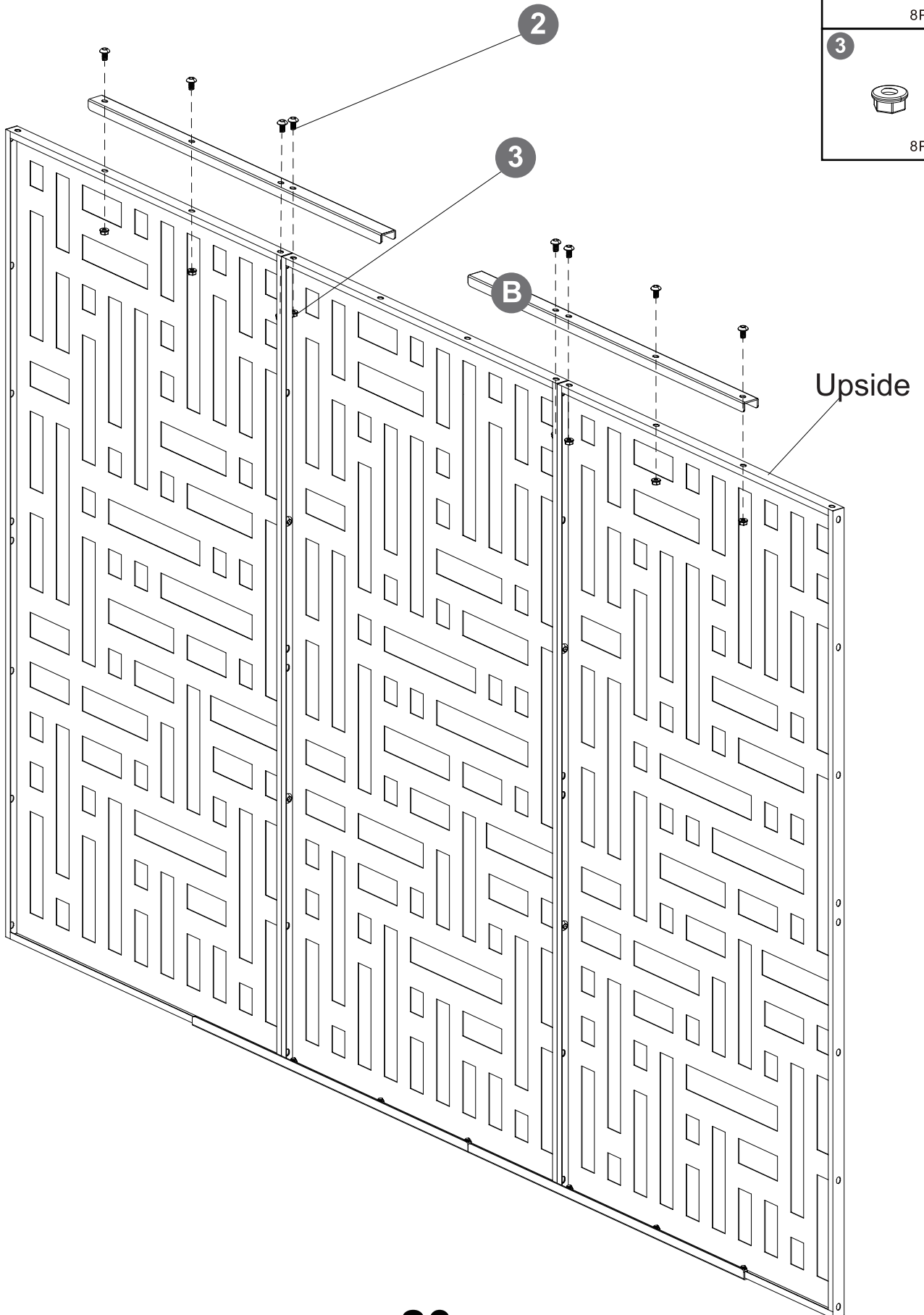
# STEP

3



# STEP

4



# STEP

5

2

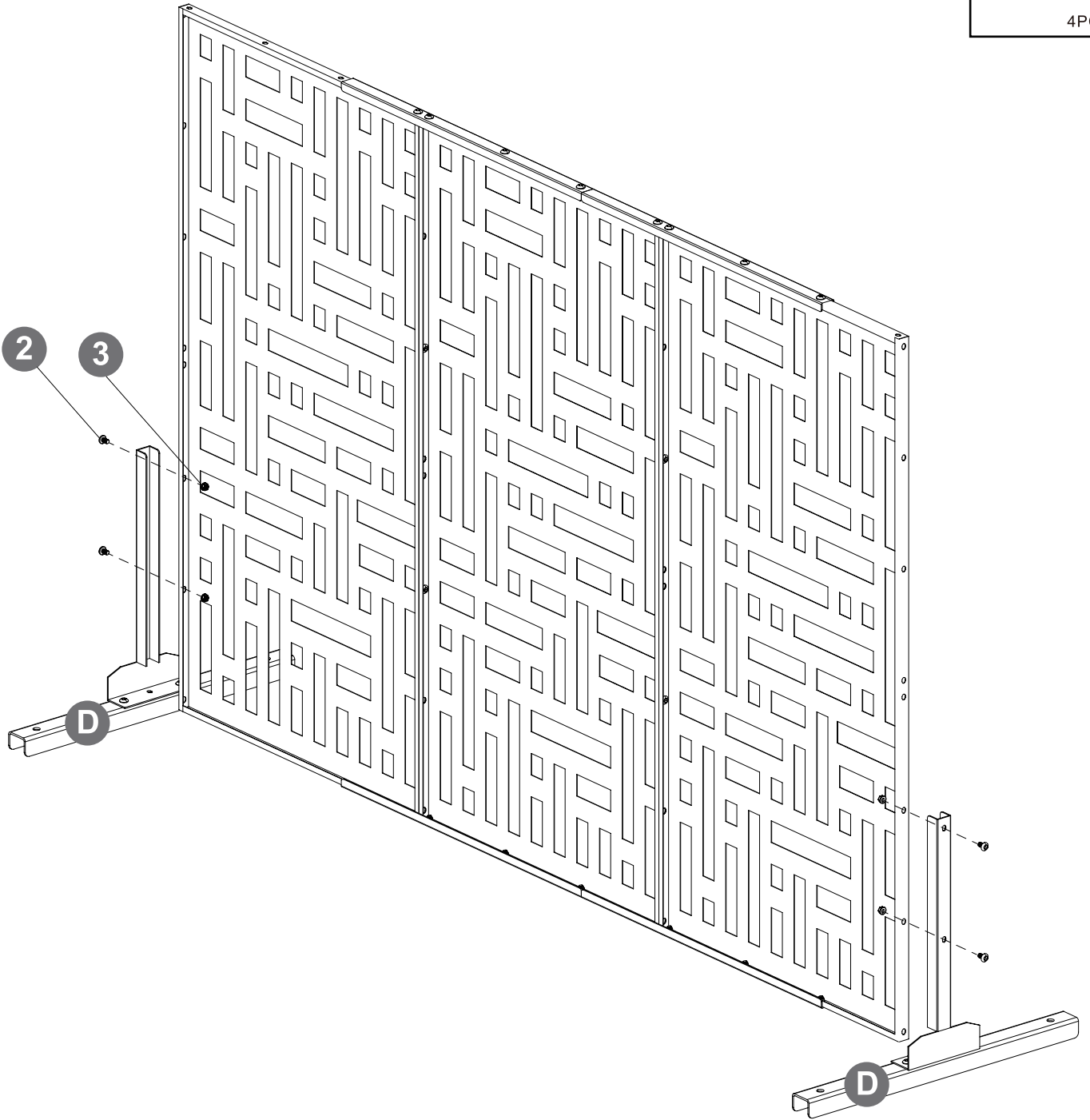


4PCS

3

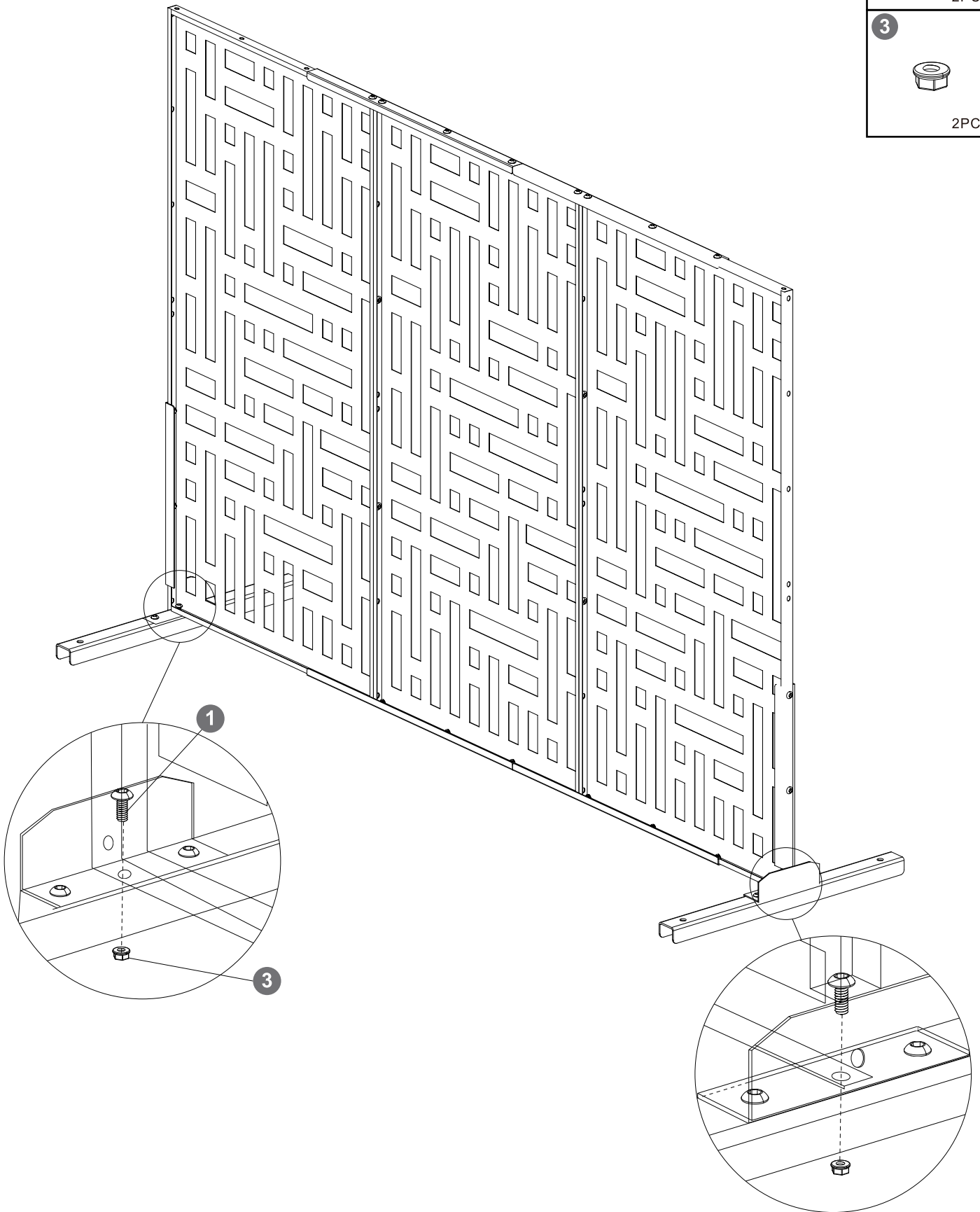
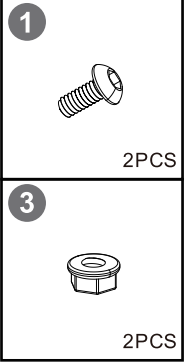


4PCS



# STEP

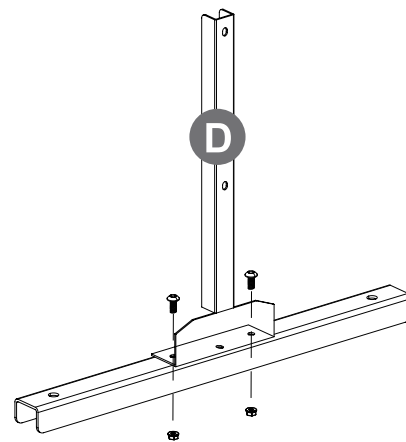
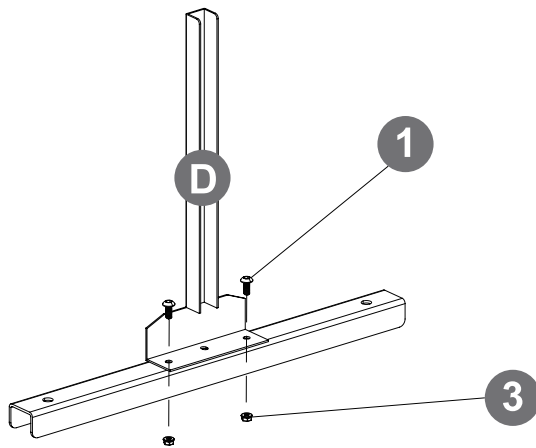
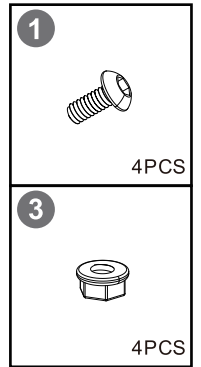
6



# STEP

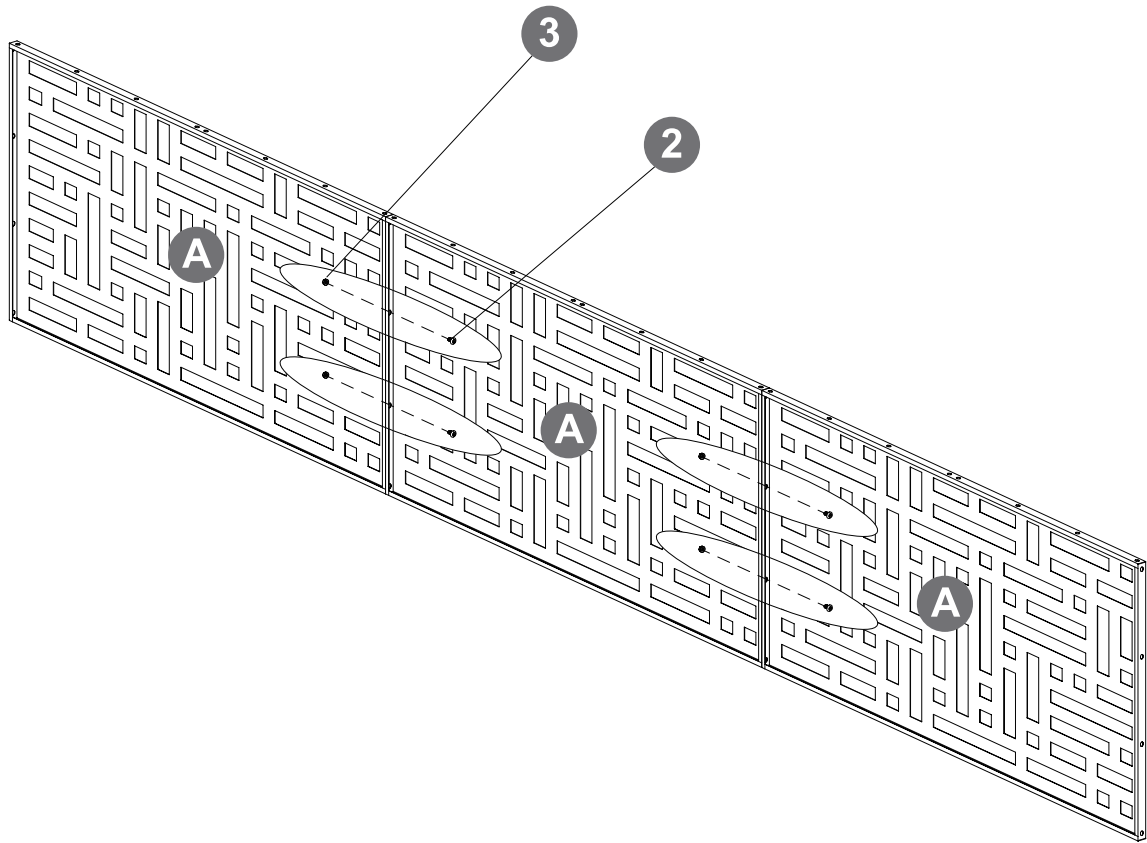
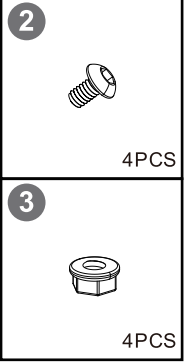
1

## Installation Type 4



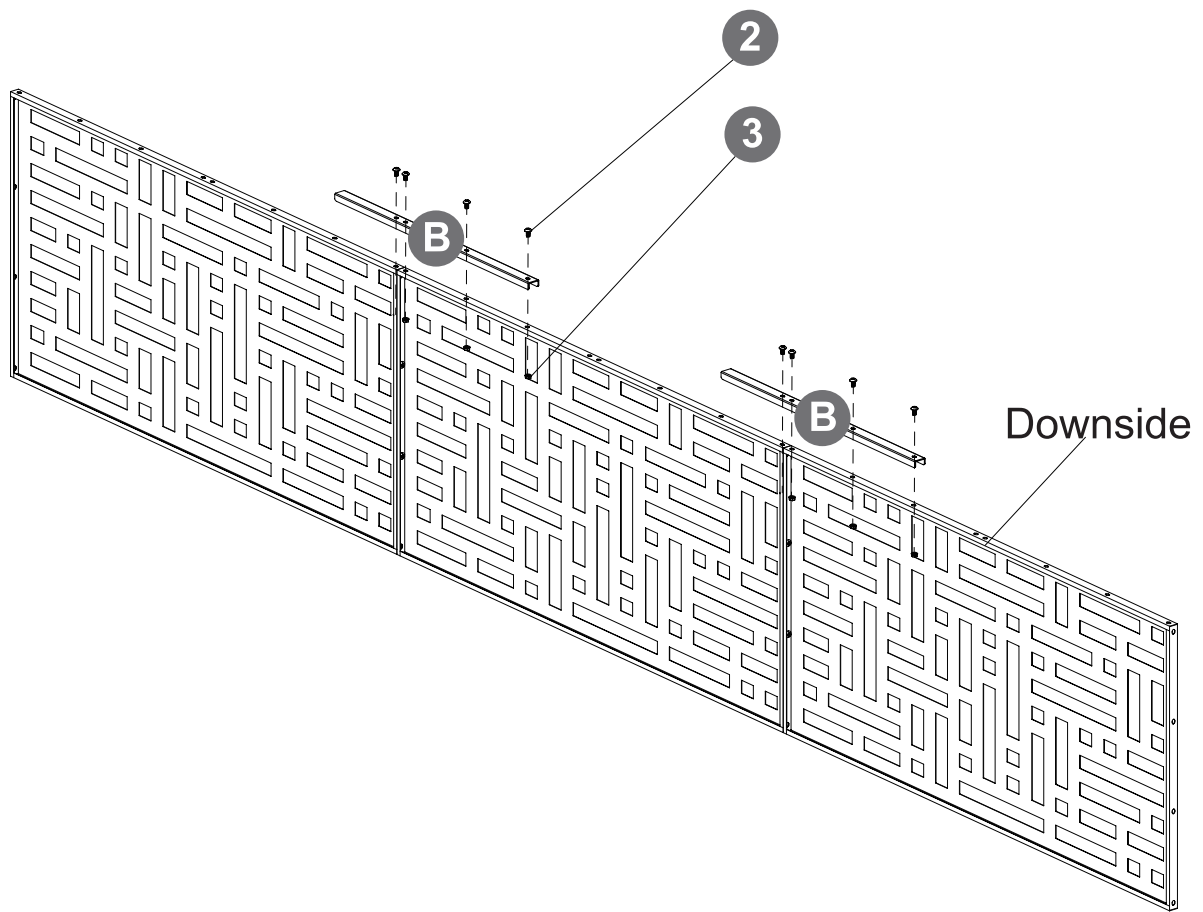
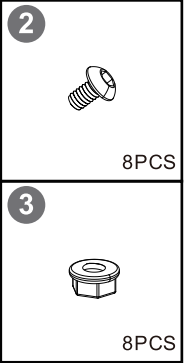
# STEP

2



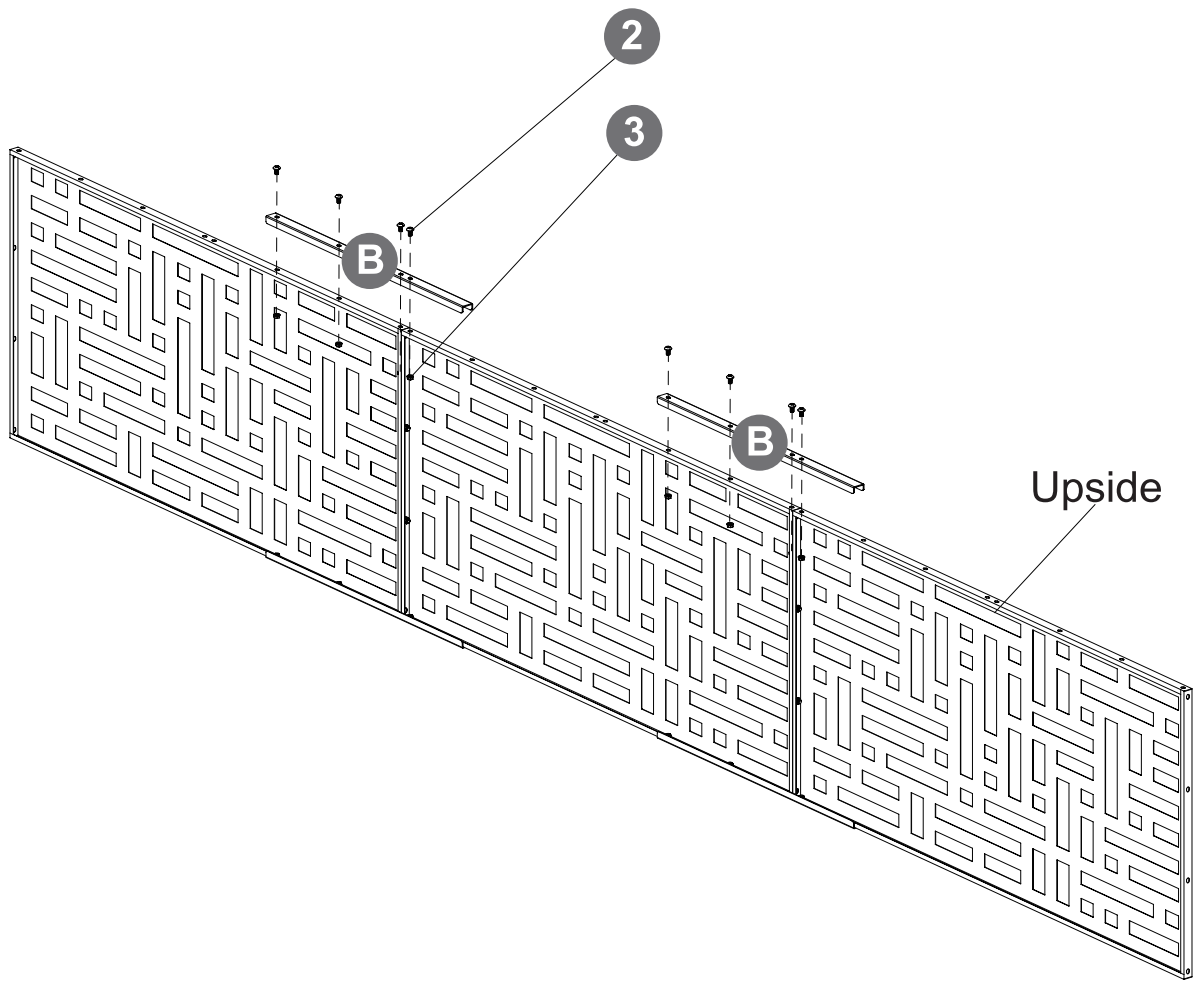
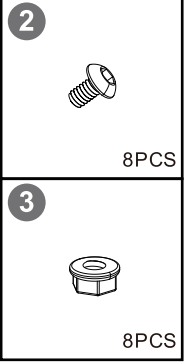
# STEP

3



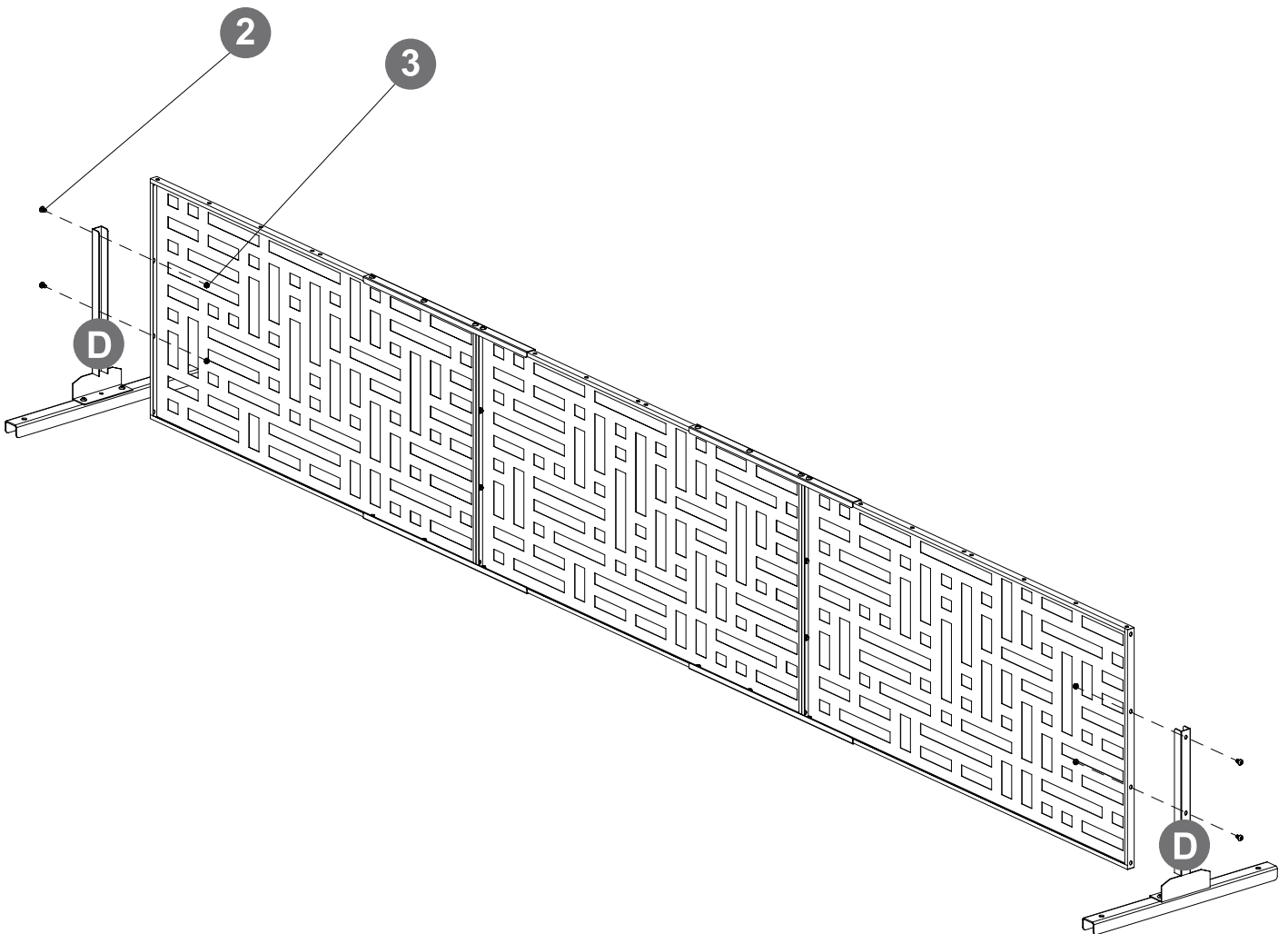
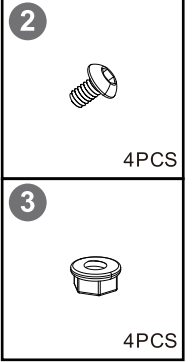
# STEP

4



# STEP

5



# STEP

6

