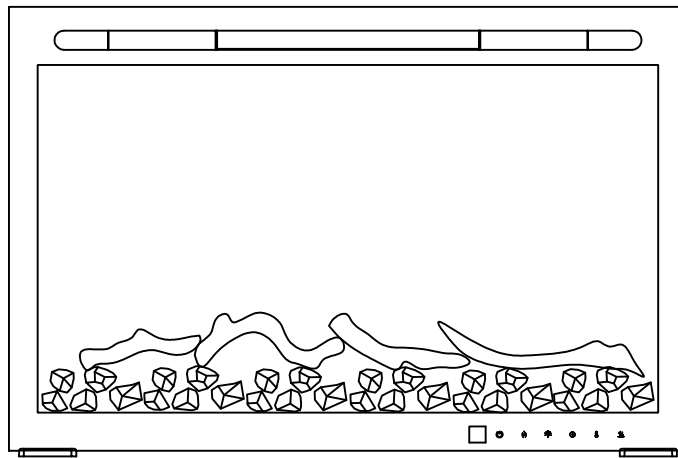




ITEM#: EF10256
MODEL#: EFW-TJ28IA

Installation and Operation Instructions



28IN / 71cm Built In Insert and Free Standing Electric Fireplace with Remote



Questions, problems, missing parts?

Before returning to your retailer, contact our exceptional customer service.

Contact us by email at customer care@jrhome.com or call us toll free at 1-800-561-5550
7:00 a.m. - 4:00 p.m., PST, Monday - Friday

Table of Contents

Table of Contents	2
Safety Information.	2
Pre-Installation	3
Planning Installation.	3
Electrical Parameters	
Package/Hardware List	3
Package Contents.	3

Installation	4-9
Recessed	4-6
Free Standing (Stand Brackets).	7
Installing Media (Step 3 & 4)	6
Operation	8-9
Maintenance, Care & Cleaning	10
Troubleshooting	11
Warranty.	12-13

IMPORTANT SAFETY INSTRUCTIONS

SAVE THESE INSTRUCTIONS FOR FUTURE USE

WHEN USING ELECTRICAL APPLIANCES, BASIC PRECAUTIONS SHOULD ALWAYS BE FOLLOWED TO REDUCE THE RISK OF FIRE, ELECTRIC SHOCK, AND INJURY TO PERSONS, INCLUDING THE FOLLOWING:

Read all instructions before using this heater. Failure to follow these important safety instructions may cause fire, electric shock or damage. Following proper safety and operating instructions is the responsibility of the owner.

1. Grounding (If necessary) - this heater is for use on 120 volts. DO NOT attempt to modify the plug in any way or use adaptors to defeat the purpose of the grounding feature.
2. This heater is hot when in use. To avoid burns, do not let skin come in direct contact with hot surfaces. The grill directly in front of the heater outlet becomes hot during heater operation.
3. CAUTION: Extreme caution is necessary when any heater is used by or near children or those with disabilities. Never leave the heater operating unattended.
4. Do not operate any heater with a damaged cord or plug or after the heater malfunctions, has been dropped or damaged in any manner. Take heater to authorized service facility for examination, electrical or mechanical adjustment or repair.
5. Under no circumstance should this electric heater be modified. Parts having to be removed for servicing must be replaced by a certified repair center prior to operating this electric heater again.
6. Do not use outdoors or anywhere it can get wet. This heater is not intended for use in bathrooms, laundry areas and similar indoor locations. Never locate heater where it may fall into a bathtub or in the vicinity of water.
7. Do not run cord under carpeting. Do not cover cord with throw rugs, runners, or similar coverings. Arrange cord away from traffic area and where it will not be tripped over.
8. To disconnect heater, turn off all controls, then remove plug from outlet.
9. Connect to property grounded outlets only.
10. Do not insert or allow foreign objects to enter any ventilation or exhaust opening as this may cause an electric shock or fire, or damage the heater.
11. To prevent a possible fire, do not block air intakes or exhaust

in any manner. Do not use on soft surfaces, like a bed, where openings may become blocked.

12. CAUTION: A heater has hot and arcing or sparking parts inside. Do not use it in areas where gasoline, propane, paint, or flammable liquids are used or stored or where the unit will be exposed to flammable vapors. The heater should not be used as a drying rack for clothing. Do not hand any decorations on the heater.
13. Do not modify this heater. Use this heater only as described in this manual. Any other use not recommended by the manufacturer may cause fire, electric shock, or injury to persons.
14. Avoid the use of an extension cord because the extension cord may overheat and cause a risk of fire. However, if you have to use an extension cord, the cord shall be No.16AWG minimum size and rated not less than 1875 watts, and 3-wire cord with grounding type plug and cord connector.
15. Do not plug this product into a receptacle controlled by a wall switch or dimmer.
16. Always use a certified electrician should new circuits or outlets be required.
17. Always disconnect power before performing any cleaning, maintenance or relocation of the heater.
18. For off-season storage, keep in a dry place, free from excessive vibration damage.

NOTE: Procedures and techniques that are considered important enough to emphasize.

CAUTION: Procedures and techniques, which, if not carefully followed, will result in damage to the equipment or personal property or may cause personal injury.

WARNING: Procedures and techniques, which, if not carefully followed, will expose the user to the risk of serious injury, illness or death.

WARNING:

This heater and parts become hot when in use. The area directly around and under the heater must be clear and free of any obstructions.

DO NOT ALLOW CHILDREN TO OPERATE THIS HEATER. KEEP CHILDREN AND PETS AWAY FROM HEATER AND CONTROLS

Pre-Installation-Package and Hardware Contents

PLANNING INSTALLATION

Before beginning assembly, be sure to empty contents of carton and make sure all parts are present. Place all parts on a soft, level surface for assembly. If any parts are missing, Please contact customer service at customer care@jrhome.com or call 1-800-561-5550 7 a.m. - 4 p.m., PST, Monday - Friday.

Estimated Assembly Time: Varies depending upon type.

A Phillips head screwdriver or Electric Drill with Phillips Head Bit is required for installation.(not included)

ELECTRICAL PARAMETER

- Power supply: 120V AC
- Frequency: 60Hz
- Power: 1500W

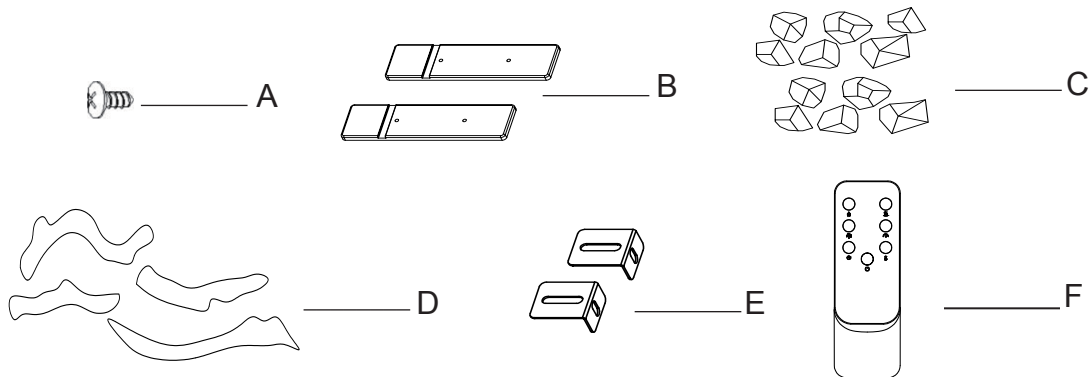


WARNING: If the supply cord is damaged, it must be replaced by the manufacturer, its service agent or similarly qualified persons in order to avoid a hazard..



NOTE: Hardware not shown to actual size.

PACKAGE/HARDWARE CONTENTS



Part	Description	Quantity
A	Small Screw	6
B	Stand Bracket	2
C	Crystals	1 Bag
D	Decorative Logs	4
E	Fixings	2
F	Remote Control	1

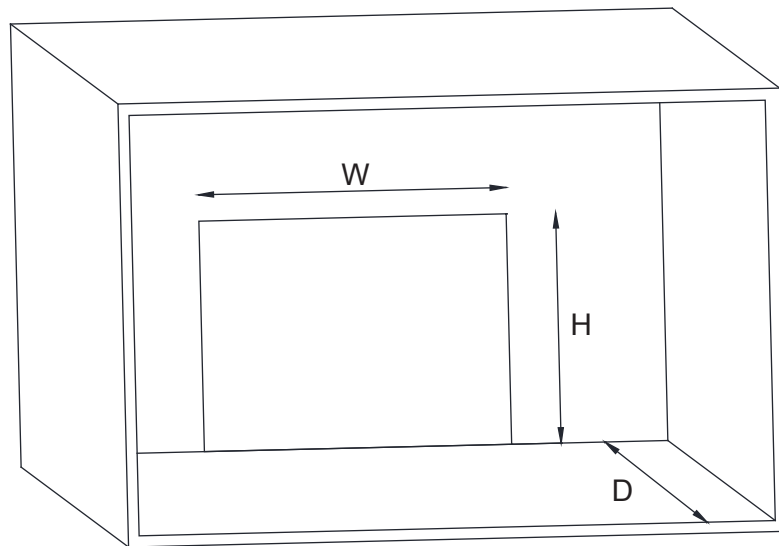
Installation- Recessed

CLEARANCE: PLEASE ALLOW A MINIMUM OF 1/2" SPACE FROM THE REAR OF THE UNIT TO A WALL.

Wall opening dimensions:

NOTE: Before installing the fireplace, please confirm the opening size of the wall.

Model	W	H	D
EFW-TJ28I	28.07 inch (713mm)	18.43 inch (468mm)	5.9 inch (150mm)



Installation- Recessed (continued)

1 Remove the front cover

- Remove the four silver mounting screws.
- Remove the front cover by pulling it upward and outward.(Figure A)

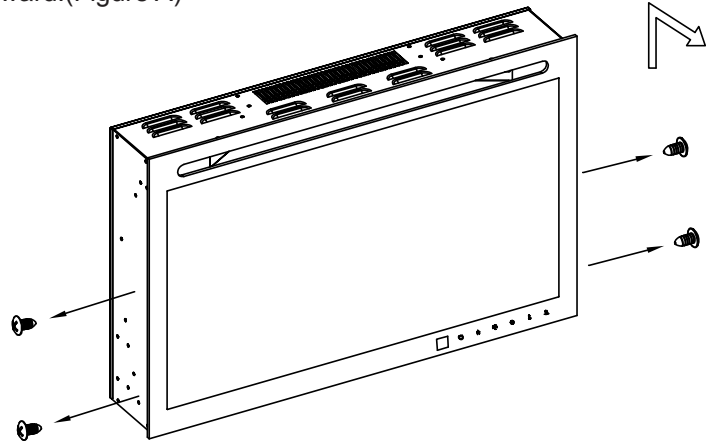


Figure A

2 Securing the fireplace

- Remove two screws from the lower back of the fireplace, secure the two fixing plates (E) to the fireplace, and then use two screws (A) to fix the fireplace and wooden box together. (Figure B)

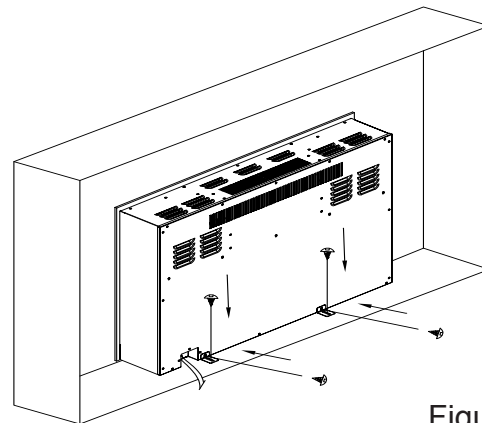
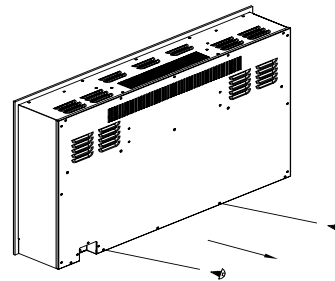
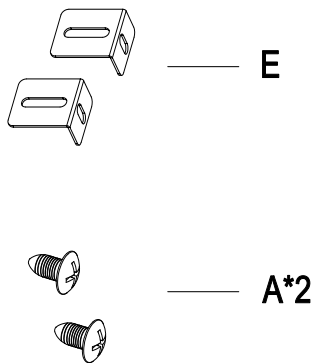


Figure B

Installation- Recessed (continued)

3 Place Decorative Media

- Put the decorative log(C),crystals(D) into the heater. (Figure C)
- Media may be combined or displayed individually.



NOTE: This Step applies for all installations.

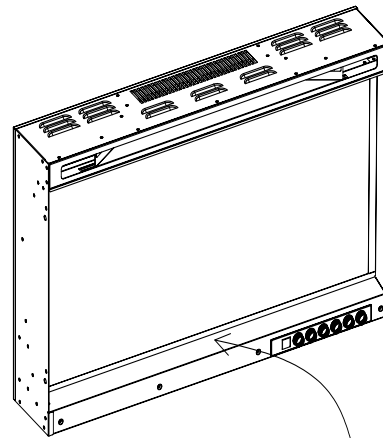
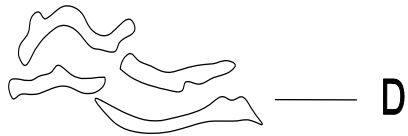
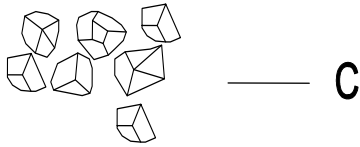


Figure C

4 Replace Front Cover

- Mount the front glass to the fireplace.(Figure D)
- Reinstall the four silver screws on both sides of the fixed glass.(Figure E)

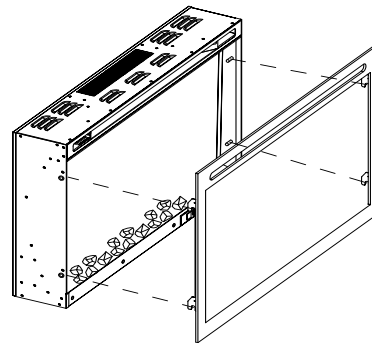


Figure D

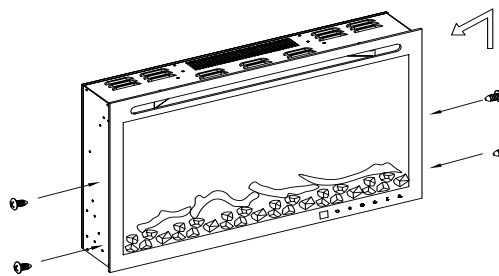
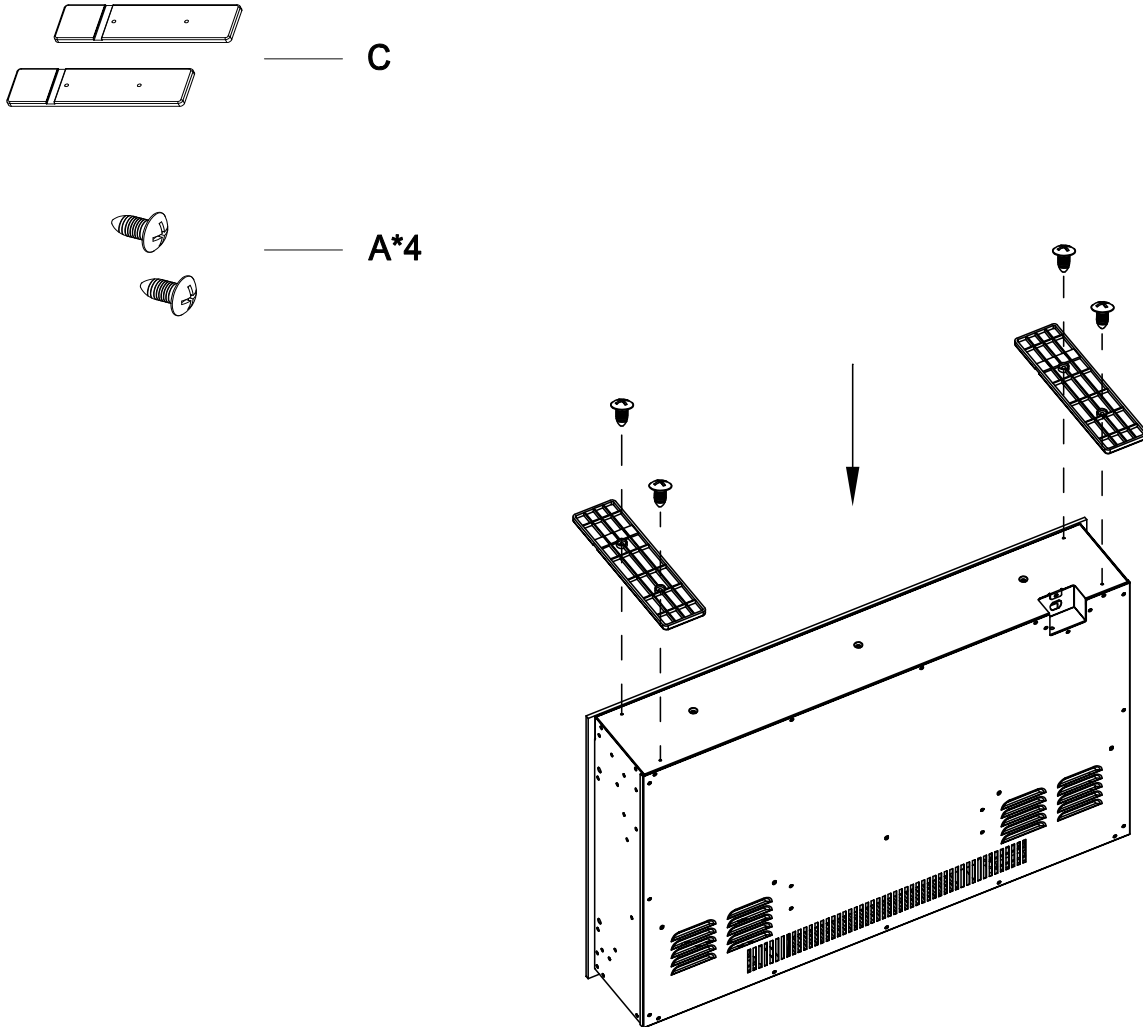


Figure E

Installation- Stand Brackets

1 Attach stands

- Carefully turn unit upside to install feet.
Fix the bracket by installing four (A) screws .(Figure F)



- Return unit to its upright position and then place media as per step 3 on page 6.

Operation

1 Pre-Operation









CAUTION: Do not attempt to operate this appliance until you have read and understand all Safety Information in this manual and all assembly is complete and leak tests have been period.

After reading all the instructions, make sure that all the fireplace controls are in the OFF position. Plug the fireplace into a 15A/120V outlet.

2 Operating Fireplace Controls

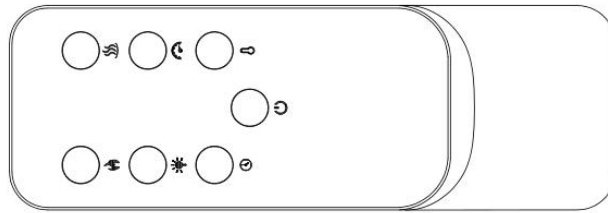
The controls are located at the lower right corner of the heater.










	Press this button to turn ON the fireplace. Press again to turn off the fireplace.
	Press this button to change the flame effect. By default, the flame color is orange. Press again to change flame color. There are three colors: orange, yellow, and orange+yellow mixed.
	Press this button to change flame intensity. Press again to decrease the flame intensity. There are 6 light intensities for your selection. F5(brightest)-F4-F3-F2-F1-F0(Lights turn off).
	Press this button for timer function. '0H' means there is no set running time and heater will run continuously. The letters '1H' to '8H' mean the number of hours that the heater will operate before shutting off.
	Press this button to set the desired temperature. From 68-88°F (20-30°C) When desired ambient temperature is reached, the heater will automatically stop heating. NOTE: Press the button for 10 seconds to toggle between °C and °F
	HEATER button: Turns the heater on and off (00-LL-HH), 00: No heating. LL: 750W heater turns on and the fan starts to blow warm air. HH: 1,500W (HIGH HEAT) heater turns on and blows hot air. NOTE: To avoid overheating, the heater blows cool air for seconds before turning the heater on and then turning it off.

Operation - (continued)

3 Operation By Remote Control



	<p>Press this button to turn ON the fireplace. Press again to turn off the fireplace.</p>
	<p>Press this button to change the flame effect. By default, the flame color is orange. Press again to change flame color. There are three colors: orange, yellow, and orange+yellow mixed.</p>
	<p>HEATER Button: Turns the heater on and off (00-LL-HH), 00: No heating. LL: 750W heater turns on and the fan starts to blow warm air. HH: 1,500W (HIGH HEAT) heater turns on and blows hot air. NOTE: To avoid overheating, the heater blows cool air for seconds before turning the heater on and then turning it off.</p>
	<p>Press this button to change the flame speed. 3 setting: 3-2-1; By default, the flame speed is 3(fastest).</p>
	<p>Press this button to change flame intensity. Press again to decrease the flame intensity. There are 6 light intensities for your selection. F5(brightest)-F4-F3-F2-F1-F0(Lights turn off).</p>
	<p>Press this button for timer function. '0H' means there is no set running time and heater will run continuously. The letters '1H' to '8H' mean the number of hours that the heater will operate before shutting off.</p>
	<p>Press this button to set the desired temperature. From 68-88°F (20-30°C) When desired ambient temperature is reached, the heater will automatically stop heating.</p>

Operation - (continued)

4 Remote Control Battery Replacement:

- Insert 2 new AAA batteries.



BATTERY WARNINGS



- KEEP new and used batteries OUT OF REACH OF CHILDREN.
- Seek immediate medical attention if a battery is suspected to be swallowed or inserted inside any part of the body.



- Immediately dispose of used batteries and keep away from children.
- Do NOT dispose of batteries in household trash.
- Even used batteries may cause severe injury or death.
- Call a local poison control center for treatment information.
- Do not mix old and new batteries, different brands or types of batteries, such as alkaline, carbon-zinc or rechargeable batteries.
- Ensure the batteries are installed correctly according to polarity (+ and -).
- Non-rechargeable batteries are not to be recharged. Do not force discharge, recharge, disassemble, heat above (manufacturer's specified temperature rating) or incinerate. Doing so may result in injury due to venting, leakage or explosion resulting in chemical burns.

Maintenance, Care & Cleaning

1 Maintenance:

- **WARNING:** Completely disconnect power before attempting any maintenance or cleaning, to reduce the risk of fire or electric shock. Maintenance should only be performed by a certified technician.

2 Cleaning:

- Before cleaning any parts of the fireplace make sure to first turn off the controls and then unplug the unit from power source.
- **CAUTION:** Wait until the unit has completely cooled before attempting any cleaning.
- **Cleaning Glass Panel:** Remove dust with clean dry cloth. Remove fingerprints and other marks from glass door by using a clean damp cloth. Do not use abrasive cleaners or spray liquids on glass door surfaces.
- Metal and metal painted parts should be cleaned with clean damp cloth only. Do not use abrasive cleaners or spray liquids on these surfaces.

3 Anti-frost function

- The fireplace has anti-frost function.
- When the room temperature is below 32°F/0°C the start-up time will be delayed by several minutes

Troubleshooting

PROBLEM	POSSIBLE CAUSE	CORRECTIVE ACTION
Fireplace doesn't work.	Fireplace inner components are overheating or the home circuit breaker has tripped.	Reset switch by turning master switch off and waiting for 5mins, then turning it back on.
Flame is not moving.	Wiring may be loose or the flame motor may be defective	Call customer service for instructions.
Dim or poorly visible flame or crystals aren't glowing.	LED lights are burnt out or the wiring is loose.	Call customer service for instructions.
Flame sputters.	Flame motor is defective.	Call customer service for instructions.
Remote control does not work.	Low battery. Master switch is in "OFF" position.	Change the battery for remote control. Check to make sure the master switch is turned on.
Circuit breaker trips or fuse blows when the unit is on.	Improper circuit current rating.	Turn off electrical equipment sharing the circuit. Call customer service for instructions.
Heater does not provide heat when turned on.	Thermal switch has been tripped. Circuit breaker has been tripped. Demo switch has been turned on	Turn the unit off and unplug the unit for 5mins. Plug back in and turn on the unit. Turn off circuit breaker that supplies electricity to the unit, wait 5 minutes, then flip circuit breaker back on Turn the demo switch off
Appliance turns off and will not turn on.	Appliance has overheated and its safety device has caused the thermal switch to disconnect. House circuit breaker has tripped	Unplug the appliance, allow to cool for 15mins, then plug back in. Reset the house circuit breaker.

Review & Warranty Extension



Extend Your Warranty By Leaving A Review

We want your opinion about your purchase...and we want you to tell everyone about it!

Just leave a review for the product on the retailers website where you made your purchase, or at www.jrhome.com, and fill in the online warranty at www.jrhome.com/warranty-registration within 30 days of purchase to receive a complimentary extra year of warranty protection.

Follow us on:



www.jrhome.com #jrhome

Warranty

For questions, concerns or problems with our product please email our customer service department:

customercare@jrhome.com

DATED PROOF OF PURCHASE REQUIRED FOR WARRANTY SERVICE

WARRANTY

This product is inspected, tested and carefully packaged to minimize the chance of damage during shipment. If a part (excluding light bulbs, glass and fuses*) within one year from the date of purchase proves to be defective in material or fabrication under normal use, the part will be repaired or replaced. The Company's obligation under the warranty is to replace or repair defective parts at our discretion. Any expenses or damage resulting from the installation, removal or transportation of the product will be the responsibility of the owner and are not covered by this warranty. The owner assumes all other risks arising from the use or misuse of the product. The warranty will be void if the product damage or failure is deemed by the Company to be caused by accident, alteration, misuse, abuse, incorrect installation or removal, or connection to an incorrect power source by the owner. The Company neither assumes, nor authorizes any person or entity to assume for it any obligation or liability associated with its products. Light bulbs and fuses are not covered under this warranty. If you have any questions regarding the warranty or service, please contact us at **customercare@jrhome.com**.

Customer Service :

JR Home Products

Unit 306 - 19100 Airport Way, Pitt Meadows, BC V3Y 0E2

Toll Free : 1-800-561-5550

E-mail : **customercare@jrhome.com**

You MUST register your product within 30 days of purchase to receive warranty service.

Registration can be completed online at www.jrhome.com or by mailing this form.

Si vous éprouvez des difficultés ou si vous avez des questions ou des préoccupations, prière de faire parvenir un courriel à notre service à la clientèle

customercare@jrhome.com

UNE PREUVE D'ACHAT DATÉE EST REQUISE POUR SE PRÉVALOIR DE LA GARANTIE.

Garantie

Ce produit a été soigneusement inspecté, testé et emballé afin de minimiser les risques de dommages durant le transport. Si l'une des pièces (à l'exception des verres, des ampoules électriques et des fusibles*) s'avère défectueuse au niveau de sa fabrication ou de ses matériaux dans l'année qui suit la date de l'achat suite à une utilisation normale, la pièce sera réparée ou remplacée. La compagnie est tenue de réparer ou remplacer les pièces défectueuses à sa discrétion, en vertu de la garantie. Tous frais ou dommage résultant de l'installation, du démantèlement ou du transport du produit demeurent la responsabilité du client et n'est pas couvert par cette garantie. Le client assume tout autre risque résultant de l'utilisation correcte ou fautive du produit. La garantie devient nulle si la compagnie détermine que le dommage ou le mauvais fonctionnement est causé par un accident, une modification, une mauvaise utilisation, un abus, une mauvaise installation ou un mauvais démantèlement ou un branchement à une source électrique inadéquate de la part du client. La compagnie n'est pas responsable et n'autorise quiconque, personne ou entité légale, à accepter de responsabilité ou obligation en son nom, en rapport avec ses produits. * Les ampoules électriques et les fusibles ne sont pas couverts par cette garantie. Pour toute question au sujet de la garantie ou du service, contacter le service à la clientèle à : **customercare@jrhome.com**.

Service à la clientèle:

JR Home Products

Unit 306 - 19100 Airport Way, Pitt Meadows BC V3Y 0E2 Numéro

sans frais: 1-800-561-5550

Courriel: **customercare@jrhome.com**

Vous DEVEZ enregistrer votre produit dans les 30 jours suivant l'achat pour bénéficier du service de garantie.

L'enregistrement sera complet une fois que vous aurez posté ce formulaire ou que vous serez inscrit en ligne.



Warranty Registration Information Form / Formulaire d'enregistrement de la garantie

Name / Nom : _____

Street / Adresse : _____

City / Ville : _____

Province / Province : _____

Postal Code / Code postal : _____

Daytime Phone # / No téléphone jour : _____

Evening Phone # / No téléphone soir : _____

E-Mail Address / Courriel : _____

Product/Produit : _____

Place of Purchase / Lieu de l'achat : _____

Date of Purchase / Date de l'achat : _____

Model # / No de modèle : _____

Serial # / Numéro de série : _____

You MUST register your product to receive warranty service.

For warranty service, contact J&R Home Products at the address, phone numbers listed below within 30 days of purchase. Be sure to have your sales receipt and original date of purchase. All warranty service will be coordinated by J&R Home Products service center.

Vous DEVEZ enregistrer votre produit pour vous prévaloir de la garantie.

Afin de faire valoir la garantie, communiquez avec J&R Home Products à l'adresse et aux numéros indiqués ci-dessous dans les 30 jours suivant la date d'achat. Ayez en main votre reçu et la date d'achat. Toutes les demandes liées aux garanties seront traitées par le centre de service de J&R Home Products.

Please mail to / Veuillez poster le tout à : Parts & Service Department, J&R Home Products Ltd. Unit 306 - 19100 Airport Way, Pitt Meadows, BC V3Y 0E2

120920

JRHOME.COM

Please contact **customercare@jrhome.com** or 1-800-561-5550 for further assistance.



www.jrhome.com

Questions, problems, missing parts? Before returning to the store, please contact customer service at customer care@jrhome.com or call 1-800-561-5550 7 a.m. - 4 p.m., PST, Monday – Friday

JRHOME.COM

Retain this manual for future use.