

# Ranch Rail Fence Installation Guide

## READ ALL INSTRUCTIONS CAREFULLY BEFORE BEGINNING THE INSTALLATION

Prior to installation, it is the responsibility of the installer to meet all code and safety requirements, and to obtain all required building permits. Contact your local authorities regarding any local zoning laws, neighborhood associations and/or historic districts that may regulate size, type, placement, and ability of railing. Ensure compliance before starting your railing installation.

J. Sonic Services and its distributors shall not be held liable for improper or unsafe installations.

## INSTRUCTIONS

### Tools Required:

- Shovel
- Power drill, 1/8" drill bit and #2 Philips bit
- Tape Measure
- String line, stakes, and level

### Optional Tools:

- Post Hole Digger
- Power Auger
- Safety Glasses
- Miter Saw (optional if cutting down rails or pickets)
- File (optional for sloped picket installations)

### Accessories Needed:

- Concrete and gravel (sold separately)
- PVC glue (sold separately)

### Planning:

- Prior to construction, check with your regulatory agency for local code requirements.
- Contact your utility company to locate and mark underground lines.
- Careful planning and measurement of your fence project is essential, as moving posts after the concrete sets is extremely difficult.

## Installation Steps

### Step 1. Layout fence and position posts

- Consider soil conditions, slopes, utility locations, and property lines when positioning posts.
- Run a string line to locate the fence line, using the line to establish the outside faces of your posts. **(Fig.1)**
- Stake out the fence posts, locating line, corner, and end posts.
- Mark the centers of the post locations for your fence style using dimensions from the Post Location Chart below.

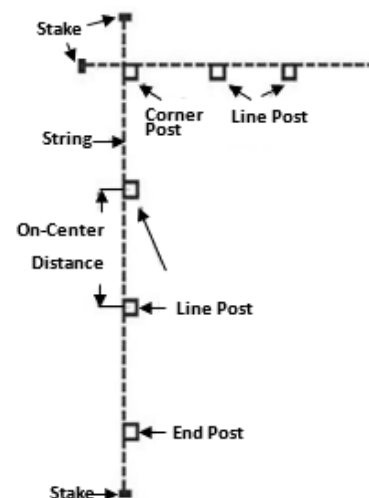


Fig. 1 Sample Staking and Post Layout

## Post Location Chart

The following chart summarizes sizes and measurements for posts, fence sections.

Fence	Post Size	Fence Span	Fence: On-Center Distance
Ranch Rail	5"x 5"/13 x 13cm	93"/236cm	98"/249cm
"On Center" means from the center of one post to the center of the next post.			

## Post Styles

- There are 3 styles of posts needed to complete your project (Fig. 2 & Fig.3). Line Post, Corner Post, and End Post.

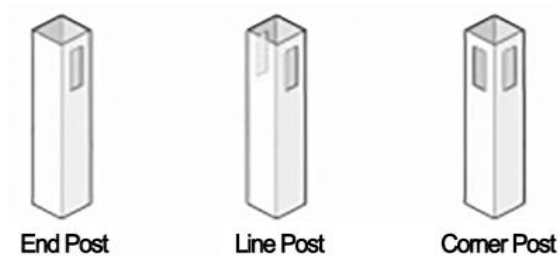


Fig. 2

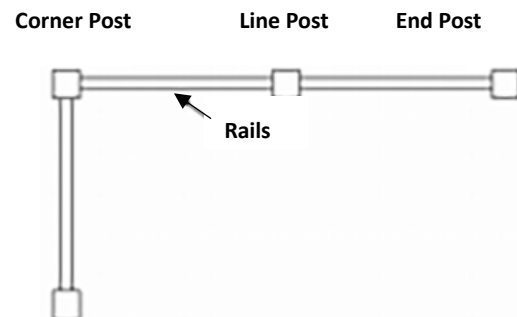


Fig. 3

**Make sure you have the correct type and quantity of posts before proceeding.**

## Step 2. Set Posts

- Dig or auger post holes based on the dimensions of Fig. 4. Ensure the bottom of the post is set at exactly 24" below grade for the Ranch Rail style.
- Remember - In frost regions, dig the post holes deep enough to ensure concrete extends below the frost line.
- Prior to pouring concrete, ensure the routed holes in the posts are oriented in the correct direction.
- Mix concrete according to manufacturer's specifications. Place and hold the post while pouring concrete 6" at a time, tamping to eliminate air pockets. Leave enough space at the top of the concrete to allow sod to grow around the post. Set the correct post height, plumb and level each post.
- Before concrete sets, site down the fence line and, if necessary, adjust posts. If posts are too high, place a wooden block across the top of the post and tap down with a rubber mallet. Allow post concrete to set 24-48 hours before installing fence sections.

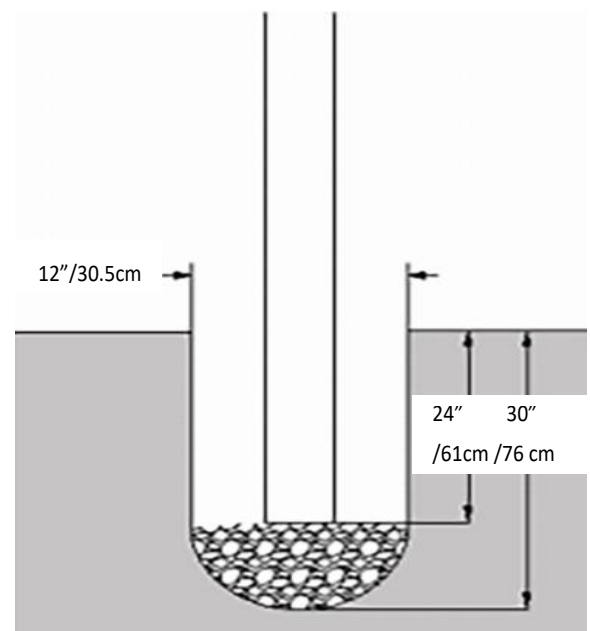


Fig. 4 Post Holes Dimensions

### Step 3. Ranch Rail

- Install Rails: Insert bottom rail into routed post, left side first, as far as it will go, then slide right side of rail into the other post, fully engaging the clip. Work your way up, repeating this step, until all rails in each section are installed. (Fig.6)



Fig. 5

### Step 4. Attach the post caps

- Add post cap on each post using PVC glue (sold separately) to adhere to the post caps.

### Step 5. Clean up

- Clean off cement splatter with mild detergent and non-abrasive cloth, then hose down with clean water.

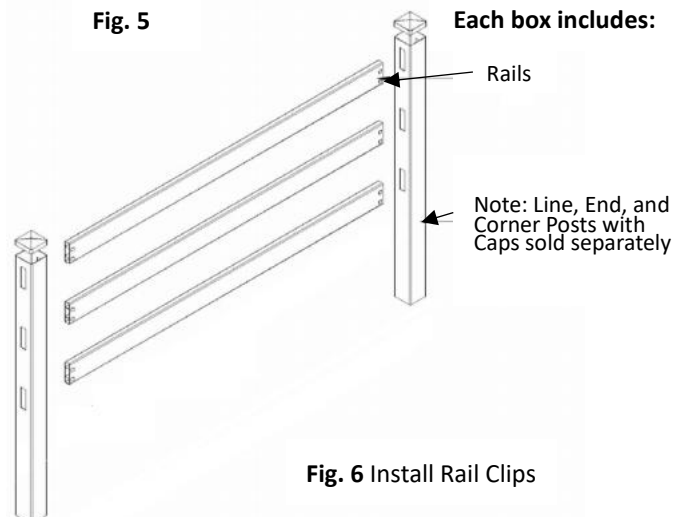


Fig. 6 Install Rail Clips

Use of this product must be in accordance with all local zoning and/or building codes. Consumer assumes all risks and liability associated with the use of this product. For warranty details see the express written limited warranty for your product.

## J SONIC SERVICES INC Ranch Fence WARRANTY

J. Sonic Services warrants to the original residential purchaser ("Purchaser", "you" or "your") that, for a limited lifetime warranty from the date of the original purchaser takes possession of the product, under normal residential use and service conditions, ranch fence shall be free from material defects in workmanship and materials, and shall not split, splinter, rot, or suffer structural damage resulting from termites or fungal decay. For the purposes of this warranty, a "residential purchaser" refers to an individual residential homeowner.

If a defect occurs within the warranty period, Purchaser shall notify J. Sonic Services in writing and, upon confirmation by an authorized J. Sonic Services representative of the defect, J. Sonic Services sole responsibility shall be, at its option, to either replace the defective item or refund the portion of the purchase price paid by purchaser for such defective item (not including the cost of its initial installation). TO THE FULLEST EXTENT PERMITTED UNDER THE LAW, THIS WARRANTY SHALL NOT COVER AND J. SONIC SERVICES SHALL NOT BE RESPONSIBLE FOR COSTS AND EXPENSES INCURRED WITH RESPECT TO THE REMOVAL OF DEFECTIVE J. SONIC SERVICES PRODUCTS OR THE INSTALLATION OF REPLACEMENT MATERIALS, INCLUDING BUT NOT LIMITED TO LABOR AND FREIGHT.

For questions regarding the warranty, the original residential purchaser must contact our Customer Service Department at 1-833-540-2118 or via e-mail at [info@jsonic.ca](mailto:info@jsonic.ca). ORIGINAL PROOF OF PURCHASE MUST ACCOMPANY ALL WARRANTY CLAIMS. The original residential purchaser will be notified by J. Sonic Services as to whether the warranty claim is approved or denied.

Replacement material will be provided that is as close as possible in color, design, and quality as the replaced material, but J. Sonic Services does not guarantee an exact match as colors and design may change. If a valid warranty claim hereunder is made during years eleven (11) through twenty-five (25) after the original purchaser takes possession of the product, recovery will be prorated. If J. Sonic Services is providing replacement materials, it may elect to replace the percentage listed below of boards otherwise meeting the requirements for a claim, or if it is refunding the purchase price, it may elect to refund the percentage listed below of the purchase price of boards otherwise meeting the requirements for a claim.

YEAR OF WARRANTY CLAIM	PERCENTAGE RECOVERY
11	80%
12	80%
13	80%
14	60%
15	60%
16	60%
17	40%
18	40%
19	20%
25	20%
25+	10%

J. Sonic Services Inc. does not warrant against and is not responsible for any condition attributable to: (1) improper installation of the products and/ or failure to abide by installation guidelines, including but not limited to improper gapping; (2) use of the products beyond normal and proper use, or in an application not recommended by J. Sonic Services Inc. guidelines and local building codes; (3) movement, distortion, collapse or settling of the ground or the supporting structure on which the products are installed; (4) any act of God (such as flooding, hurricane, earthquake, lightning, etc.), environmental condition (such as air pollution, mold, mildew, etc.), staining from foreign substances (such as dirt, grease, oil, etc.), or normal weathering (exposure to sunlight, weather and atmosphere which will cause any colored surface to gradually fade, chalk, or accumulate dirt or stains); (5) improper handling, storage, abuse or neglect by purchaser, the transferee or third parties; or (6) ordinary wear and tear.

### **Conditions and Exclusions of This Warranty**

THIS WARRANTY MUST BE REGISTERED WITHIN 30 DAYS OF INSTALLATION WITH J. SONIC SERVICES. THIS WARRANTY APPLIES ONLY TO THE ORIGINAL PURCHASER AND IS NON-TRANSFERABLE. THE AMOUNT OF YOUR RESTITUTION WILL NOT INCLUDE LABOR TO REMOVE EXISTING COMPONENTS OR INSTALL THE REPLACEMENT COMPONENTS, SHIPPING CHARGES, SALES TAX OR ANY OTHER CHARGES, NOR IS J. SONIC SERVICES REQUIRED TO PROVIDE SUCH LABOR OR SERVICE. THE MANUFACTURER RETAINS THE RIGHT TO DESIGNATE A REPRESENTATIVE TO INSPECT THE VINYL FENCE AND REMOVE SAMPLES FOR ANALYSIS. REMOVING THE VINYL FENCE PRIOR TO INSPECTION VOIDS THE WARRANTY. THIS LIMITED WARRANTY IS IN LIEU OF ALL OTHER EXPRESS WARRANTIES. J SONIC SERVICES MAKES NO OTHER EXPRESS WARRANTIES AND DOES NOT AUTHORIZE ANY OTHER PERSON OR AGENT TO MAKE ANY OTHER EXPRESS WARRANTIES. J. SONIC SERVICES NEITHER ASSUMES NOR AUTHORIZES ANY OTHER LIABILITY OR OBLIGATION IN WARRANTY, INCLUDING WITHOUT LIMITATION, THE IMPLIED WARRANTIES OF MERCHANTABILITY AND FITNESS FOR A PARTICULAR PURPOSE WITH RESPECT TO THIS PRODUCT, IS LIMITED IN DURATION TO THE TWENTY-FIVE (25) YEAR TERM OF THIS LIMITED WARRANTY. IN NO EVENT SHALL J. SONIC SERVICES BE LIABLE FOR ANY CONSEQUENTIAL, SPECIAL, OR INCIDENTAL DAMAGES ARISING OUT OF OR CONNECTED WITH THE PURCHASE OR USE OF THIS PRODUCT OR FOR ANY BREACH OF WARRANTY.

MAY HAVE OTHER RIGHTS THAT VARY FROM STATE/PROVINCE TO ANOTHER STATE/PROVINCE. THIS WARRANTY IS APPLICABLE ONLY TO VINYL RAILINGS INSTALLED WITHIN THE CONTINENTAL UNITED STATES AND CANADA.