



# POP-UP DRAIN

D-702  
WITHOUT OVERFLOW

## BEFORE YOU BEGIN YOUR INSTALLATION



Required tool



Installation by License Professional Plumber



Drawings are for reference only

## WARRANTY

For additional technical assistance or for any questions or concerns about your pop-up drain's warranty, please contact us.

[www.stylishkb.com](http://www.stylishkb.com)

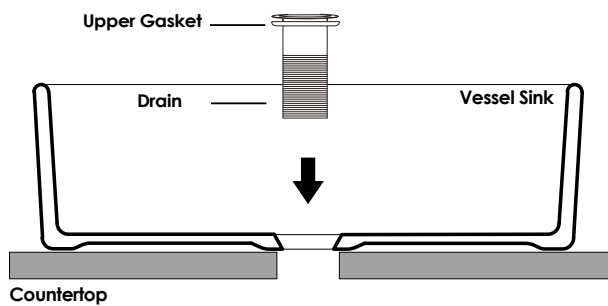
[care@stylishkb.com](mailto:care@stylishkb.com)

[www.stylishkb.com/warranty](http://www.stylishkb.com/warranty)

+1-855-789-5352

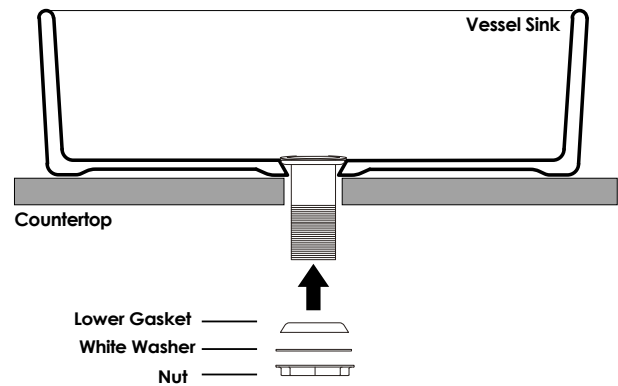
## POP-UP DRAIN INSTALLATION

1



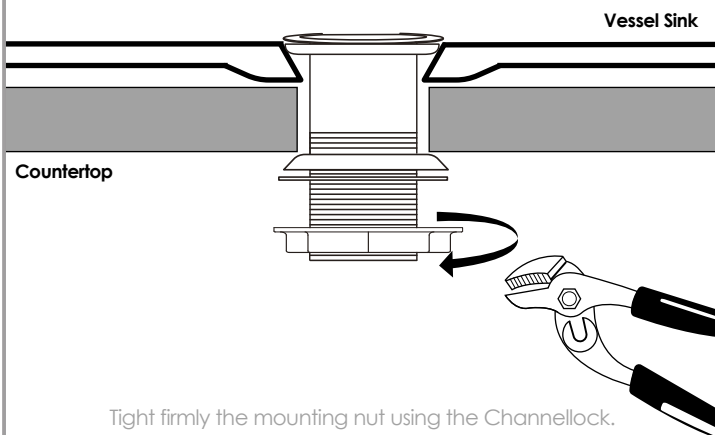
Introduce drain including upper gasket from the upper side of the sink.

2



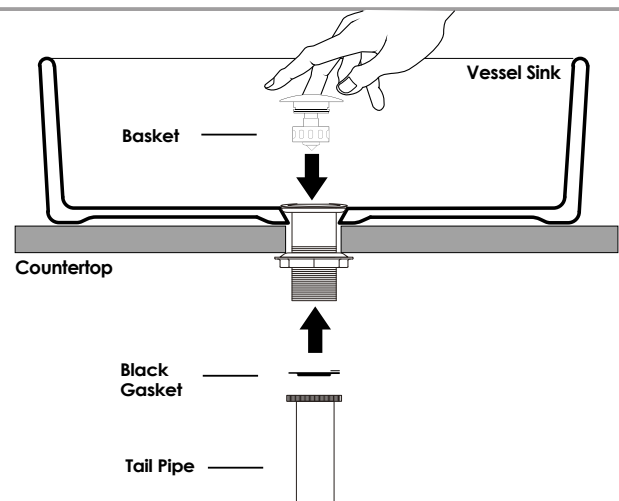
From underneath the countertop, insert lower gasket, washer and mounting nut on the threaded area of the drain, it is recommended to use a Teflon layer on the threaded area in contact with mounting nut.

3



Tight firmly the mounting nut using the Channellock.

4



Secure the tail pipe, ensure the correct position of the black gasket, this tail pipe fits 1-1/4 inch home plumbing piping.

## CARE AND CLEANING

1. With the drain cap in the open position, turn the drain counterclockwise to remove the drain cap and seal.
2. The clicker assembly may come off with the drain cap and seal, or it may remain on the body. If the clicker assembly remains in the drain assembly, remove it by turning it counterclockwise.
3. Separate the cap from the seal.
4. Remove dirt and debris from all exposed surfaces, including those of the drain body.

5. Carefully inspect the seal for excessive wear or damage, and replace it if necessary.
6. The clicker assembly should click open and closed when pressed together. Inspect the clicker assembly for proper operation, and replace it if necessary.
7. Thread the clicker assembly into the drain body.
8. Securely finger tighten. Do not tighten with a spanner

Stylish International Inc.

Follow us on Instagram! Check out and let us know your comments [stylish.international.inc](https://www.instagram.com/stylish.international.inc)