



# POP-UP DRAIN

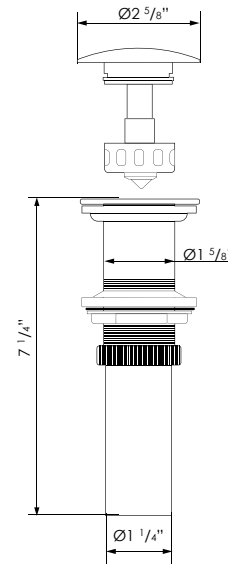
## D-702

NO OVERFLOW

FOR USE W/ OVER THE COUNTER PORCELAIN VESSEL



### DIMENSIONS



### DRAIN FINISH



BRUSHED NICKEL (B)



POLISHED CHROME (C)



MATTE BLACK (N)

### TYPE

## MUSHROOM

### MATERIAL

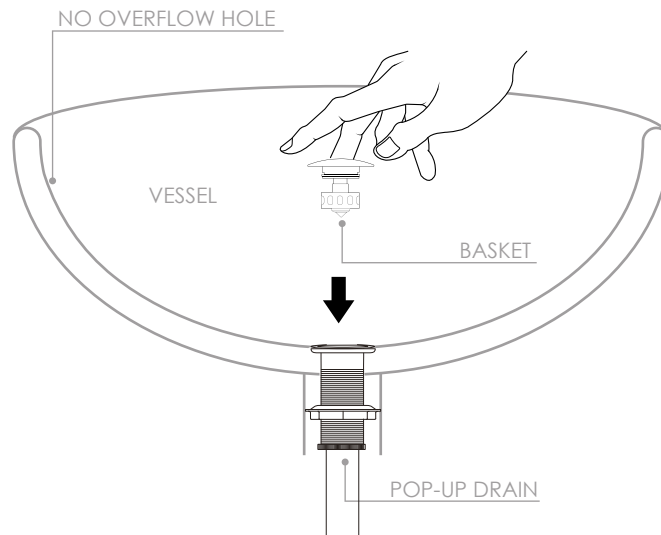


STAINLESS STEEL

### CONNECTIONS



### DIAGRAM



### STANDARDS COMPLIANCE



### WARRANTY

This product is covered by a year warranty. Consult our website for complete details..

Stylish International Inc.

[www.stylishkb.com](http://www.stylishkb.com)

[stylish.international.inc](https://www.instagram.com/stylish.international.inc)

[care@stylishkb.com](mailto:care@stylishkb.com)

+1-855-789-5352