



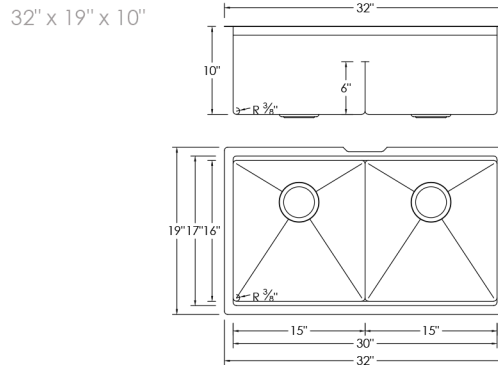
# VERSA32

## S-601WNK

GRAPHITE BLACK  
HANDMADE DOUBLE BOWL KITCHEN SINK



### DIMENSIONS



### ACCESSORIES INCLUDED



### RECOMMENDED ACCESSORIES



### SURFACE FINISH

GRAPHITE BLACK

### DRAIN HOLE SIZE



### CORNER PROFILE



### INSULATION

COATED + RUBBER PADS

### BOWL DEPTH



### INSTALLATION OPTIONS



### MATERIAL

Premium 16 gauge stainless steel with 18/10 chrome-nickel content. The 18% of chrome content provides durability, maximum protection against rust and a beautiful satin finish. The 10% of nickel content provides excellent strength and hardness.

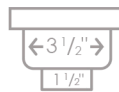
T-304

16 GAUGE STAINLESS STEEL

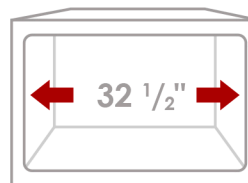
### PRODUCT DIMENSIONS

Overall Dimensions	32" x 19" x 10"
Internal Dimensions	30" x 17" x 10"
Left Basin	15" x 17" x 10"
Right Basin	15" x 17" x 10"
Drain Opening Size	3 1/2"

### LUXURY BASKET STRAINERS



### CABINET SIZE



MINIMUM INTERNAL SIZE

### GARBAGE DISPOSAL

Stylish® sinks have on standard 3 1/2" drain opening that can fit any garbage disposal unit. The sink structure is well designed to withstand any heavy garbage disposal unit.



### WARRANTY

This product is covered by a limited lifetime warranty. Consult our website for complete details.

### PRODUCT CARE

Rinse and dry your sink with a clean soft cloth, working with, not a cross, the grain. We recommend the use of a mild solution of water and vinegar to remove any mineral deposits that may have built up on your sink. Use mild non-abrasive liquid cream cleaners that do not contain chlorine, sodium hypochlorite or hydrochloric acid to help maintain the original appearance of your sink. Ensure that you thoroughly rinse your sink and wipe it dry. We recommend the use of a stainless steel grid that fits inside the bottom of the sink bowl and protect the sink from scratches.



### STANDARDS COMPLIANCE

cUPC certified  
ISO 9001 certified