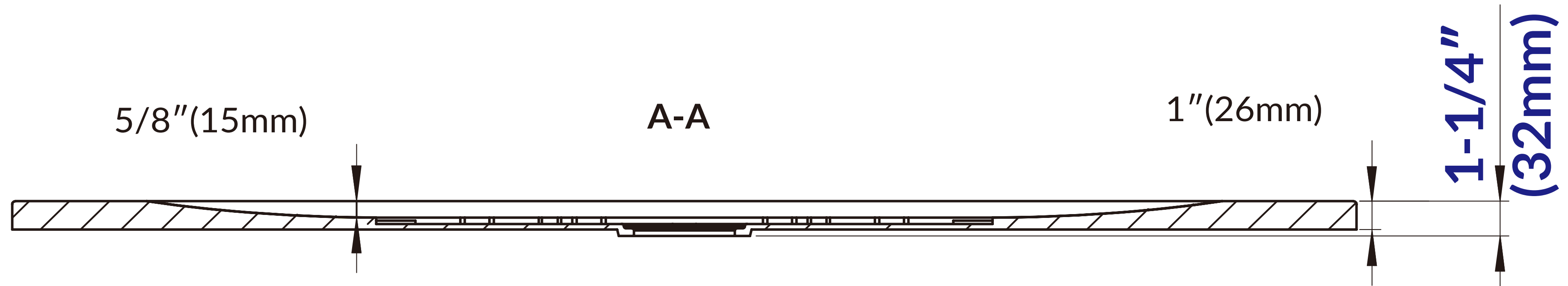
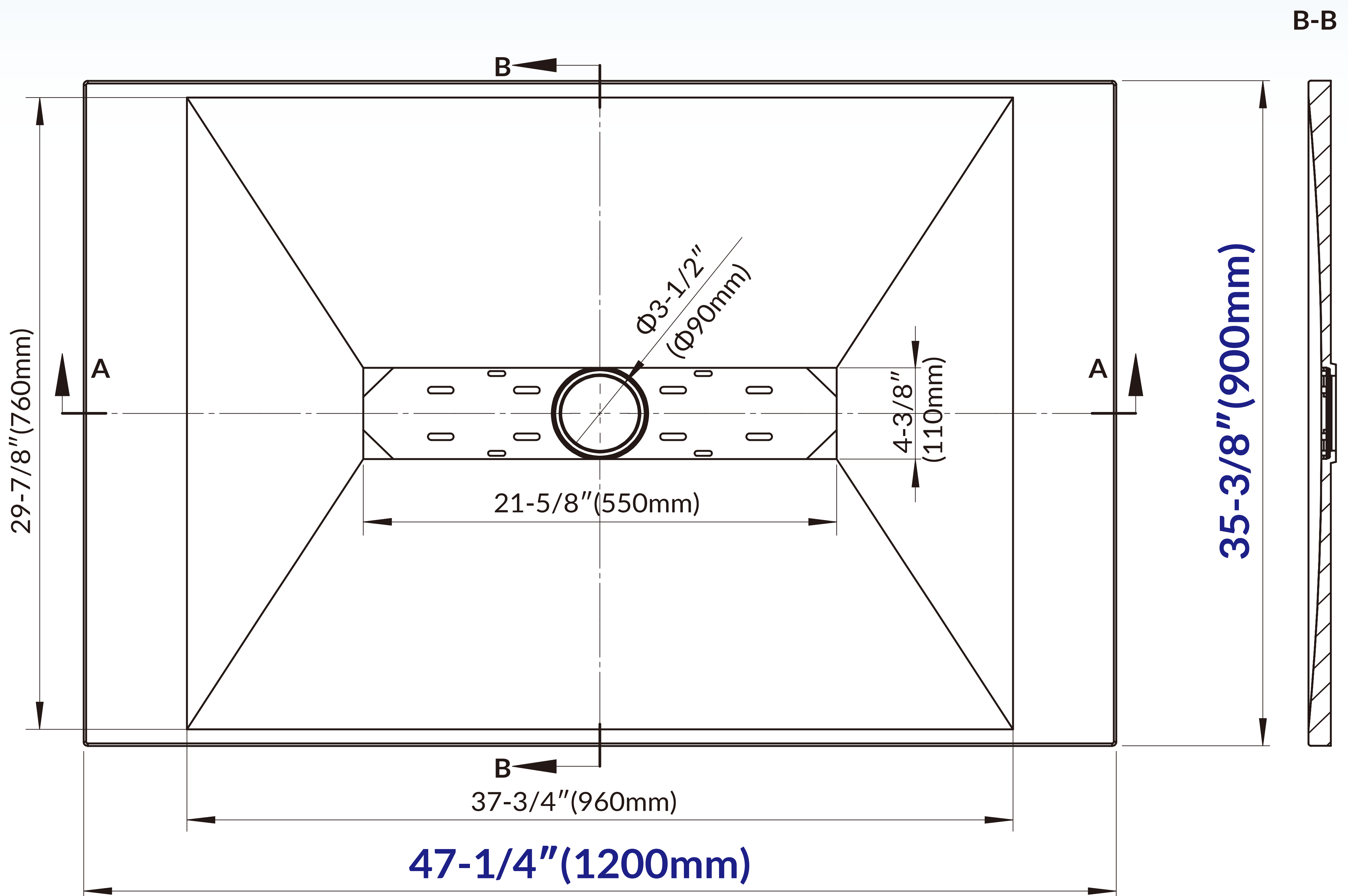


WOODBIDGE®



$\frac{1}{1:2}$

