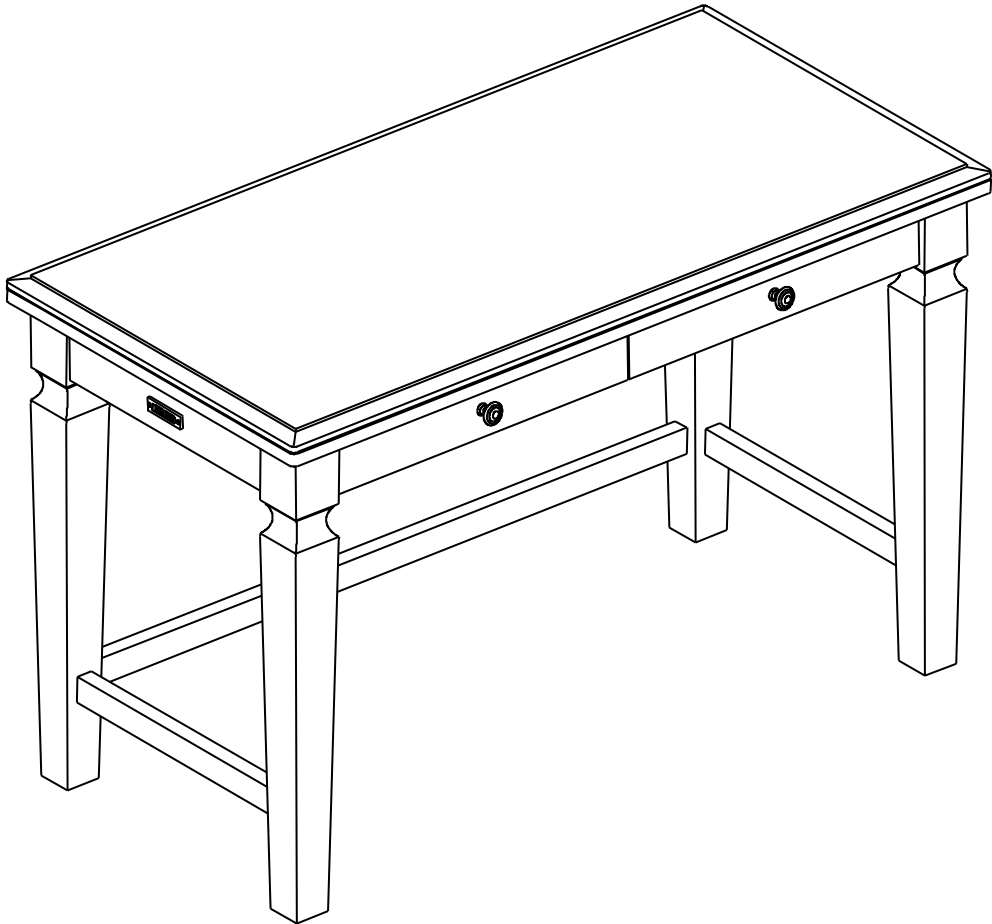


ASSEMBLY INSTRUCTIONS



Description : VISTA DESK
Item No. : OF-72

BEFORE ASSEMBLY

Thank you for purchasing this quality product. This product has been designed for easy assembly and constructed for durability. All parts were checked prior to packaging to insure quality. Prior to beginning assembly, however, make sure all parts and hardware are included and free of obvious defect. If a part is missing or defective, please contact the store where purchased. If hardware is missing, or you need help with assembly, please call toll free 888-944-8396.

IMPORTANT NOTE:

- Place all wooden parts on a clean and smooth surface such as a rug or carpet to avoid the parts from being scratched.
- Remove all wrapping material, including staples & packing straps before you start to assemble.
- DO NOT tighten all screws and bolts until completely assembled.
- Keep all hardware parts out of reach of children.

WARNING:

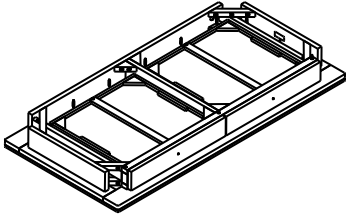
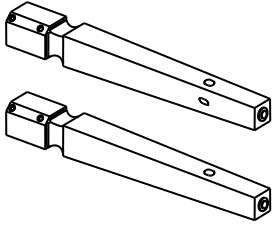
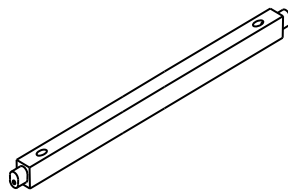
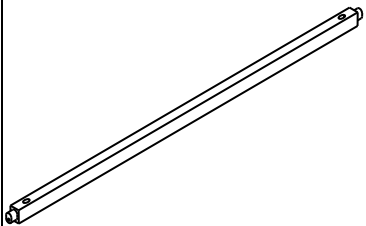
Long exposure to rubber or soft plastic may cause a chemical reaction and damage the finish of your table. Protect the surface of the table with cloth if you are using any product with rubber feet or base.

ASSEMBLY TOOLS REQUIRED NOT INCLUDED





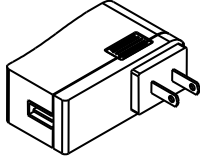


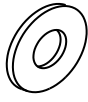
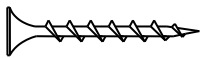

PARTS LIST

When unpacking, please be careful not to discard any parts with the packaging. Before continuing, please make sure you have the following parts:

NO	Description	Q'ty	Sketch	NO	Description	Q'ty	Sketch
A	Top with drawer	1		B	Leg (Front - Back)	4	
C	Stretcher	2		D	Crossbar	1	

HARDWARE LIST

When unpacking, please be careful not to discard any parts with the packaging. Before continuing, please make sure you have all of the following hardware:

NO	Description	Q'ty	Sketch	NO	Description	Q'ty	Sketch
1	METAL KNOB ($\Phi 32 \times 28\text{mm}$)	2		2	Pan head screw (M4 x 22mm)	2	
3	Power Plug	1		4	Bolt (M6 x 60mm)	8	
5	Lock Washer ($\Phi 6.5 \times 11\text{mm}$)	8		6	Flat Washer ($\Phi 6.5 \times 19\text{mm}$)	8	
7	Long Screw (M4 x 50mm)	6		8	Allen Key (M4 x 30mm x 110mm)	1	

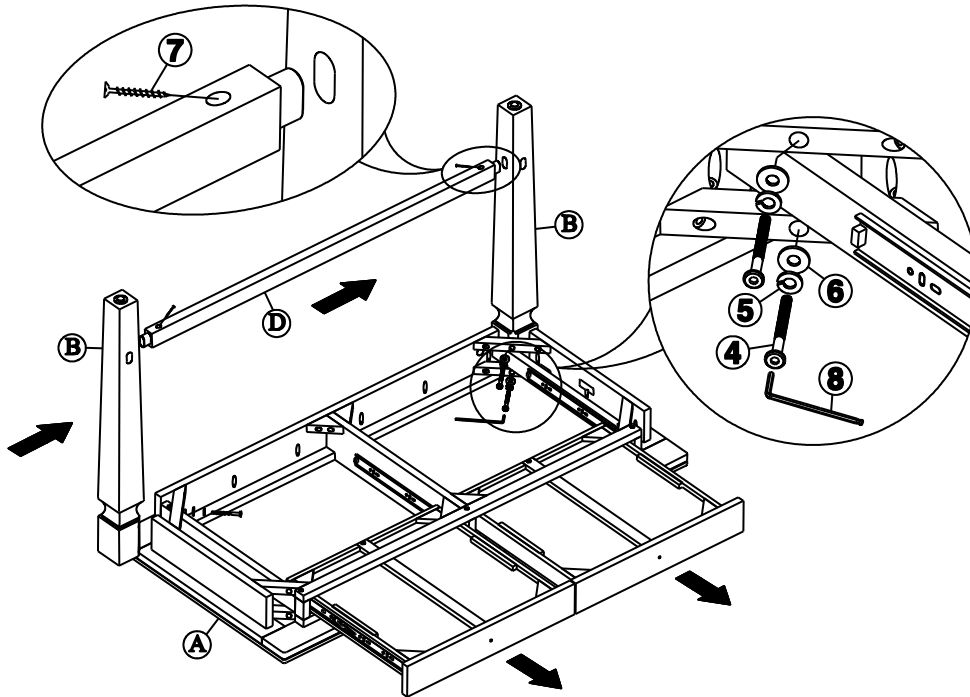
ITEM NO.: OF-72
REVISED MAR 27, 2023

Printed in Vietnam

STEP 1

Pull out the drawers. Attach back legs (B) to top (A) with bolts (4), and washers (5) and (6) as shown blow. Tighten with Allen key (8).

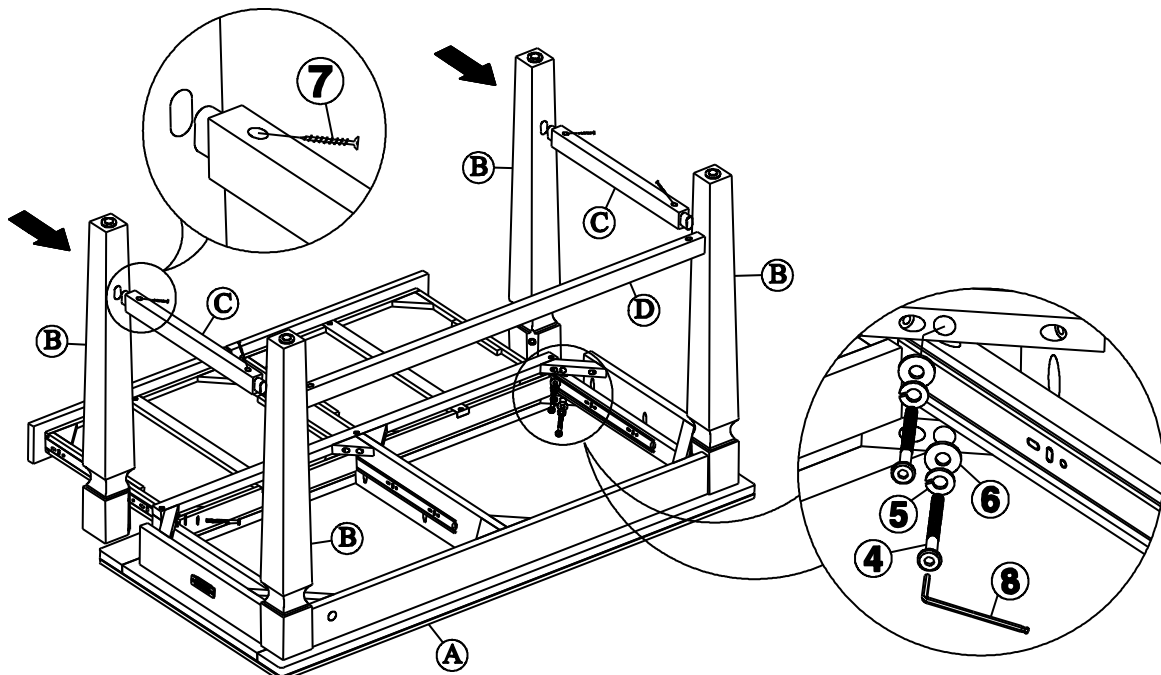
Insert crossbar (D) into back legs (B) and attach with screws (7) as shown below. Tighten with a screwdriver.



STEP 2

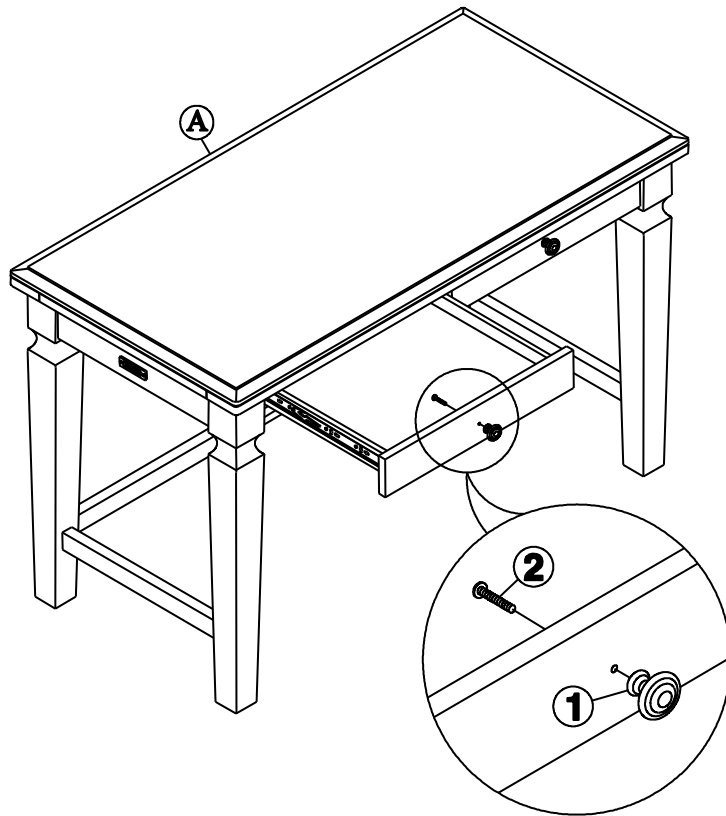
Attach front legs (B) to top (A) with bolts (4), and washers (5) and (6) as shown blow. Tighten with Allen key (8).

Insert stretchers (C) into front and back legs (B) and attach with screws (7) as shown below. Tighten with a screwdriver.



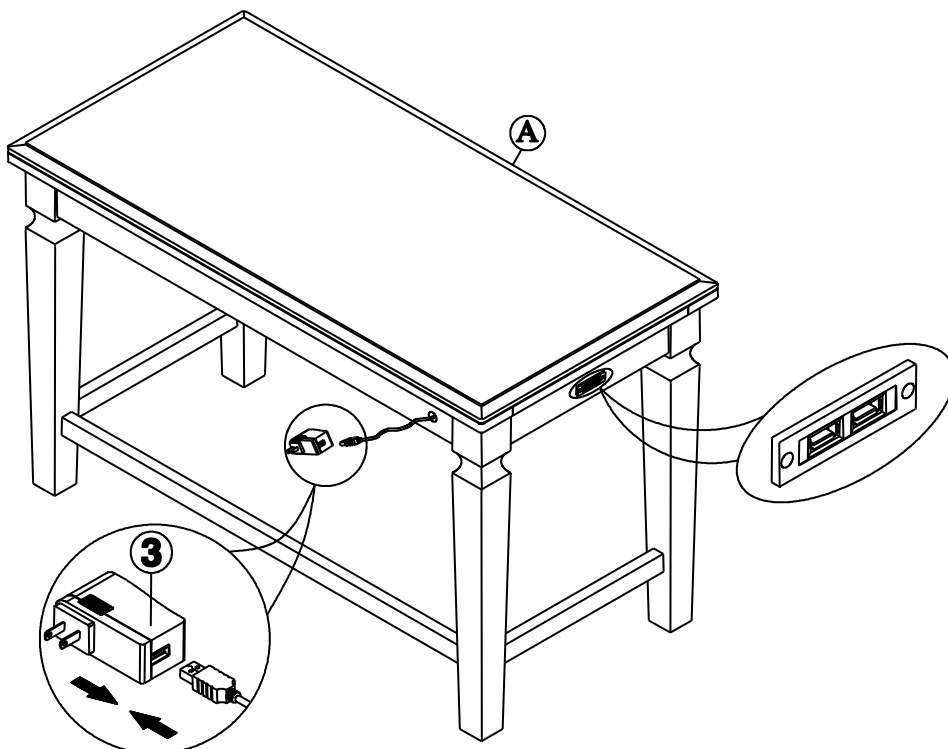
STEP 3

Attach knobs (1) to front of drawers with pan head screws (2) as shown below. Tighten with a screwdriver.



STEP 4

Plug cable of the USB charger inside the apron into power plug (3), as shown below.



STEP 5

Adjust the levelers to the appropriate height to level the desk.

