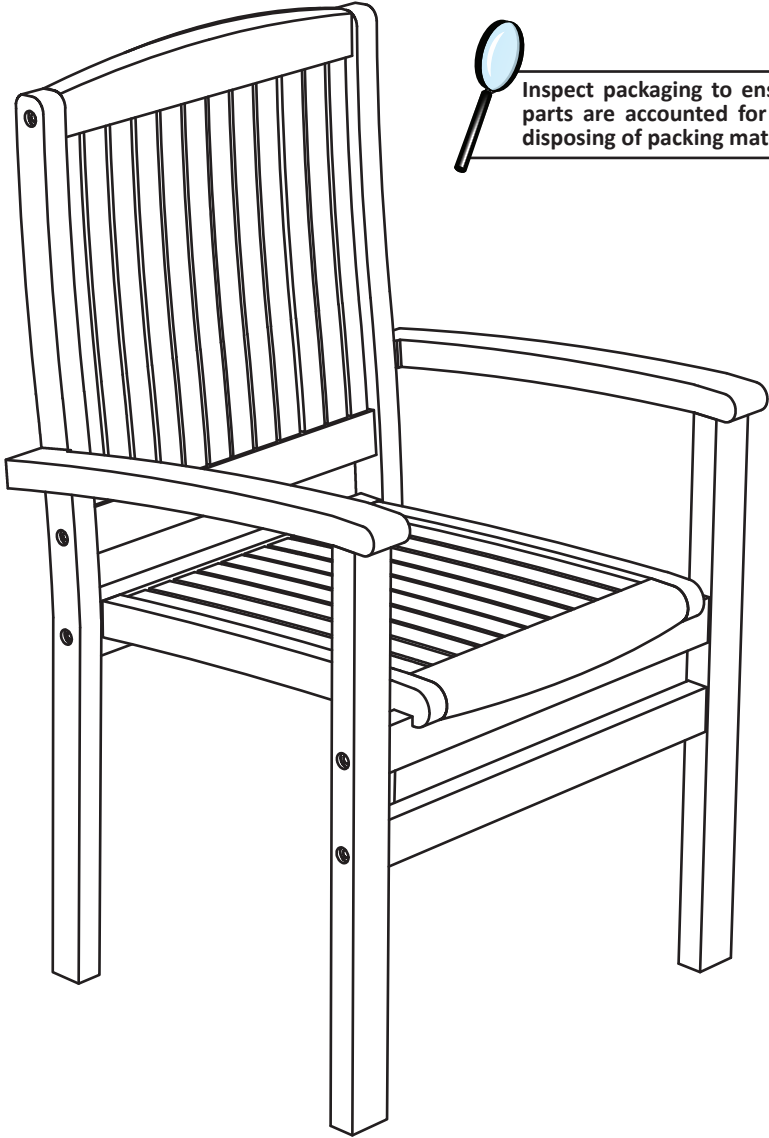


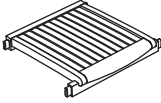



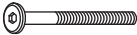



# TEAK WOOD PATIO ARMCHAIR

## JVA-415



Inspect packaging to ensure all parts are accounted for before disposing of packing materials.

No.	PARTS	QTY.
A	 Backrest	1
B	 Right Arm	1
C	 Seat	1
D	 Support Bar	1
E	 Left Arm	1
F	 M6x4cm Bolt	6
G	 M6x6cm Bolt	4
H	 Hex Key	1

### **WARNING**

**CHOKING HAZARD** — This item contains small parts that could be swallowed by children or pets. Keep children pets away during assembly.

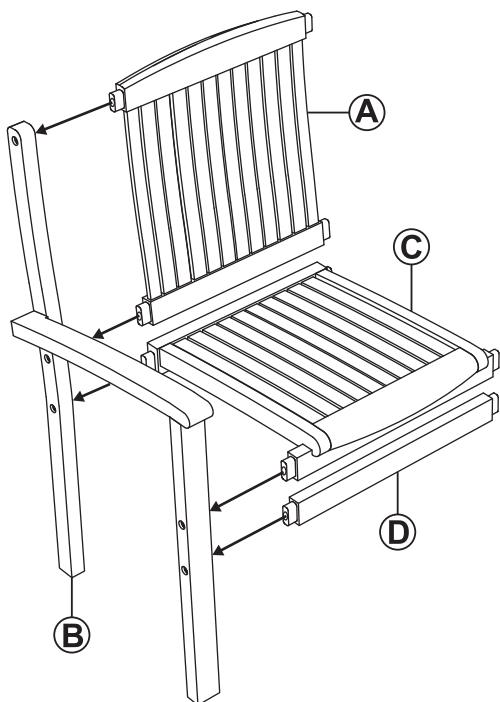
### **HELPFUL HINTS**

- Sunnydaze Decor advises reading this manual thoroughly and assembling the item soon after purchase. Check that all parts are accounted for and familiarize yourself with the assembly before beginning.
- Assemble components on a soft, clean surface to avoid damaging the finish.
- This item was treated with teak oil at the factory. Apply a suitable wood oil at least once a year, or when the wood looks particularly dry. Left untreated, the wood will weather to a silvery gray color.
- Save this manual for future reference.

# ASSEMBLY

## STEP 1

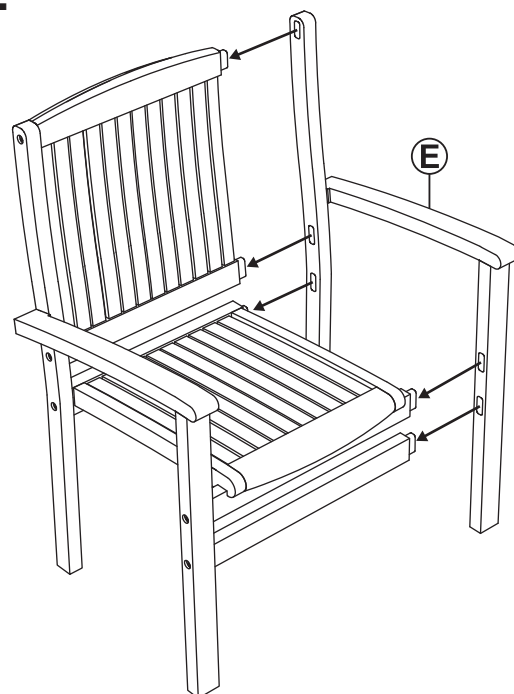
- A: 1
- B: 1
- C: 1
- D: 1



- Lay Right Arm (B) on a soft, clean surface.
- Align Backrest (A), Seat (C), and Support Bar (D) with the grooves on the inside edge of Right Arm (B).

## STEP 2

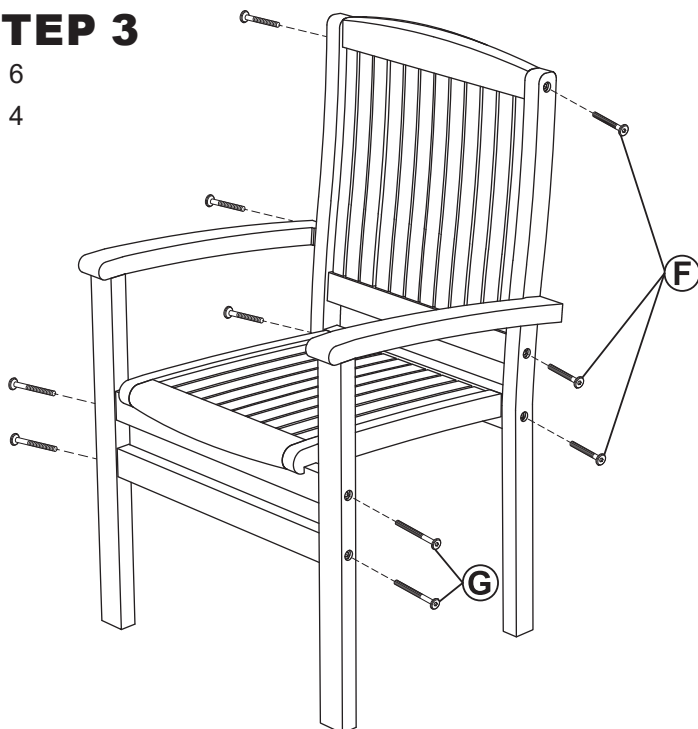
- E: 1



- Align the grooves on the inside edge of Left Arm (E) with the opposite sides of the backrest, seat and support bar.

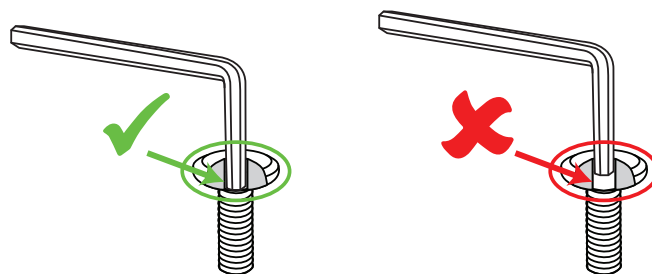
## STEP 3

- F: 6
- G: 4



- Secure the back of the left arm using three M6x4cm Bolts (F). Then, secure the front using two M6x6cm Bolts (G).
- Carefully flip the chair over and secure the right arm using three M6x4cm Bolts (F) to connect the back and two M6x6cm Bolts (G) to secure the front.

**Tip:** Always fully insert the hex key inside the designated notch of the bolt.



If the hex key is not fully inside the notch, the hex key could slip out, causing damage to the bolt head. Repeated hex key slipping will cause the notch to become rounded, making it difficult or impossible to tighten the bolt with the hex key.

**NOTE:** Save the hex key. Moisture and temperature changes cause wood to expand and contract. Over time, this can result in hardware becoming loose. Check assembly points frequently to ensure the hardware is securely tightened.

# Care & Maintenance

Use this guide to help easily maintain and care for your teak furniture. Teak wood has a natural resistance to mold and rot; however, unsightly mildew can still form on the surface of the wood if not cared for. Regular cleanings will help prevent discoloration on both treated and untreated wood.

**SAFE USE:** Do not stand on the chair. Only use on a flat, level surface.

**COVER:** When not in use, cover the furniture with a breathable cover to help protect it from dust build-up, collecting debris and the effects of long-term sun exposure.

**WINTER CARE & STORAGE:** Protect wooden furniture from inclement weather, especially ice and snow. Move to a cool, dry indoor location. Covering while in storage is recommended to help prevent dust build-up.

**CLEANING:** Regular cleaning of your teak will help prevent mildew build-up and potential discoloration. Wet down the furniture with clean water. Mix 1 cup of vinegar with 1 gallon of water and use a soft plastic brush to scrub the furniture. Do not use metal brushes as they can scratch and damage the wood's surface.

Rinse thoroughly with clean water. Place the furniture in a shaded area to dry; do not allow it to dry in direct sunlight. Allow at least 24 hours of dry-time before using or attempting to clean it again. Some harder-to-clean stains may require a store-bought teak cleaner. When cleaning your teak, always start with the mildest cleaning solution. Follow store-bought cleaner instructions carefully.

**MAINTENANCE:** Left untreated, the wood may weather. A suitable wood oil may need to be applied at least once per year or when the wood looks particularly dry. Follow application instructions, as noted with the suitable wood oil (not included).

**WARNING: THE ONE-YEAR WARRANTY DOES NOT COVER DAMAGES OR DEFECTS CAUSED BY THE USE OF CHEMICAL TREATMENTS OR PROTECTIVE COATINGS.**

## SAFETY STATEMENTS & WARNINGS

- For residential use only.
- Do not exceed the weight capacity of the furniture.
- Do not put hot items on or near furniture.
- Keep furniture a safe distance from heat sources such as fire pits, patio heaters, and grills.
- Do not allow children to use this product without adult supervision.
- Do not use harsh chemicals or abrasive materials to clean the furniture.
- Inspect assembly points frequently and tighten loose hardware as necessary.

**Any modification to the product or failure to follow recommended care will void the product warranty.**

## **WARNING!**

**Manufacturer and seller expressly disclaim any and all liability from personal injury, property damage or loss, whether direct or indirect, or incidental, resulting from the incorrect attachment, improper use, inadequate maintenance, or neglect of this product.**