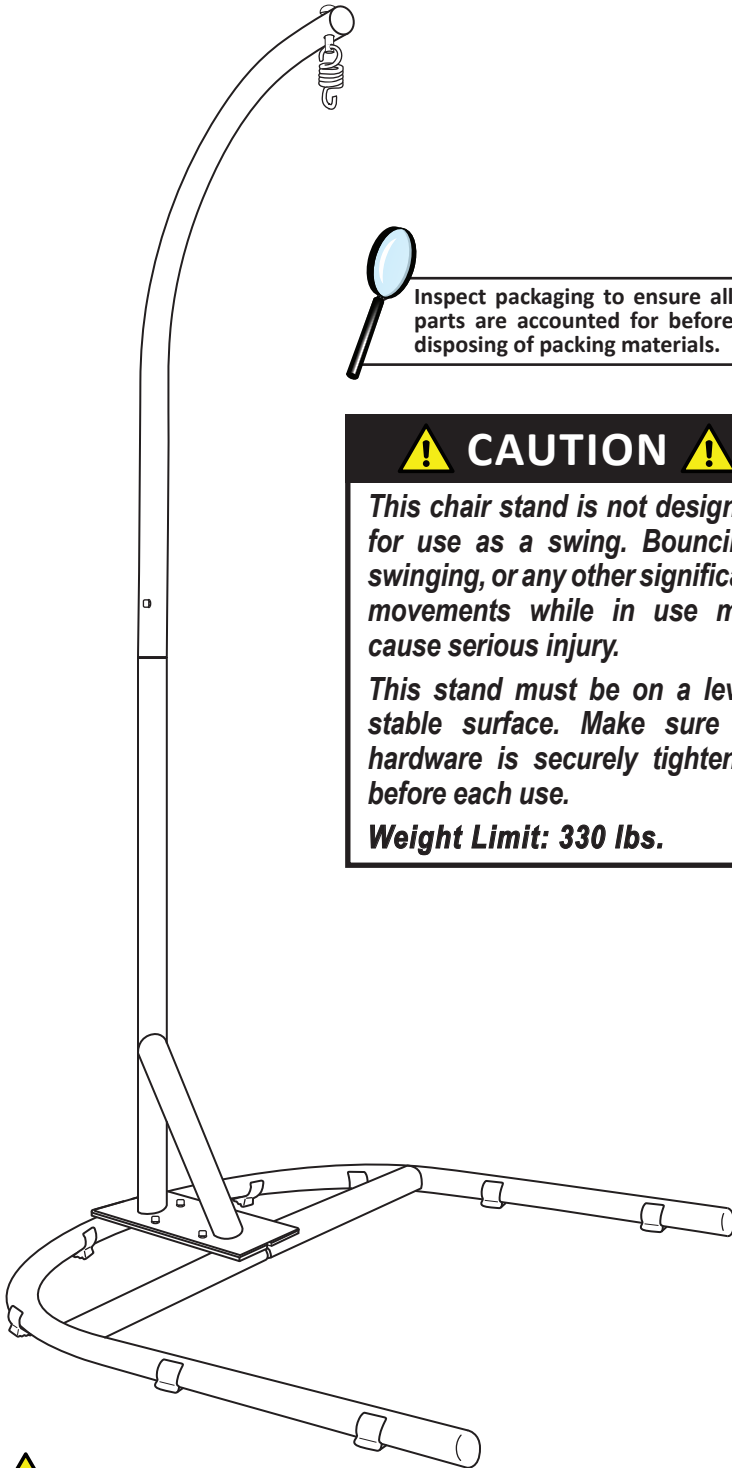



STEEL U-SHAPE HANGING CHAIR STAND TF-493

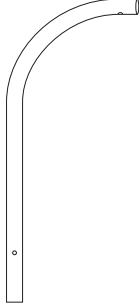

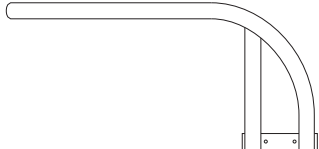
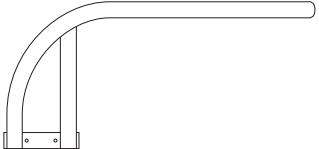



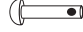

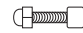


Read all assembly and care instructions carefully before using this product. Save this manual for future reference.

Assemble components on a soft, clean surface to avoid scratching/damaging the finish.



 Inspect packaging to ensure all parts are accounted for before disposing of packing materials.

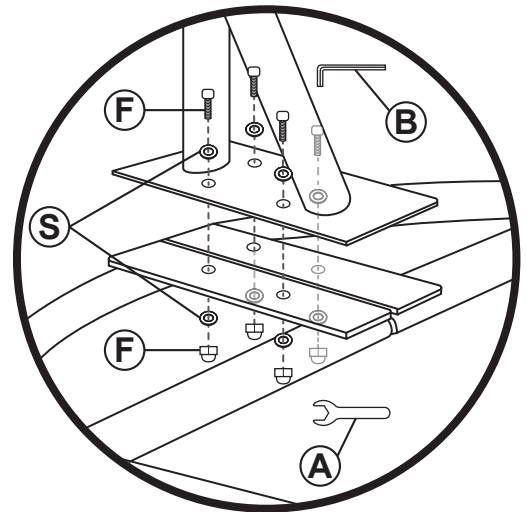
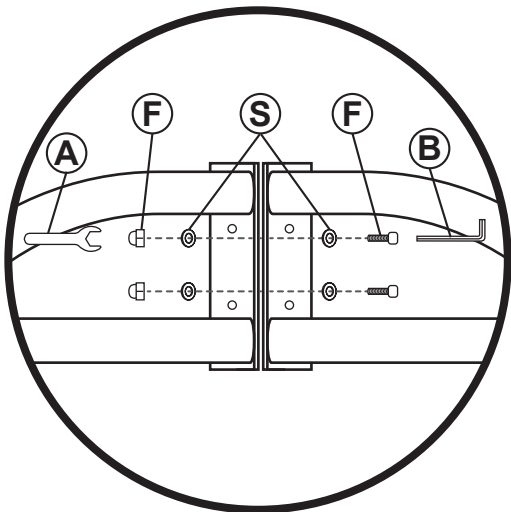
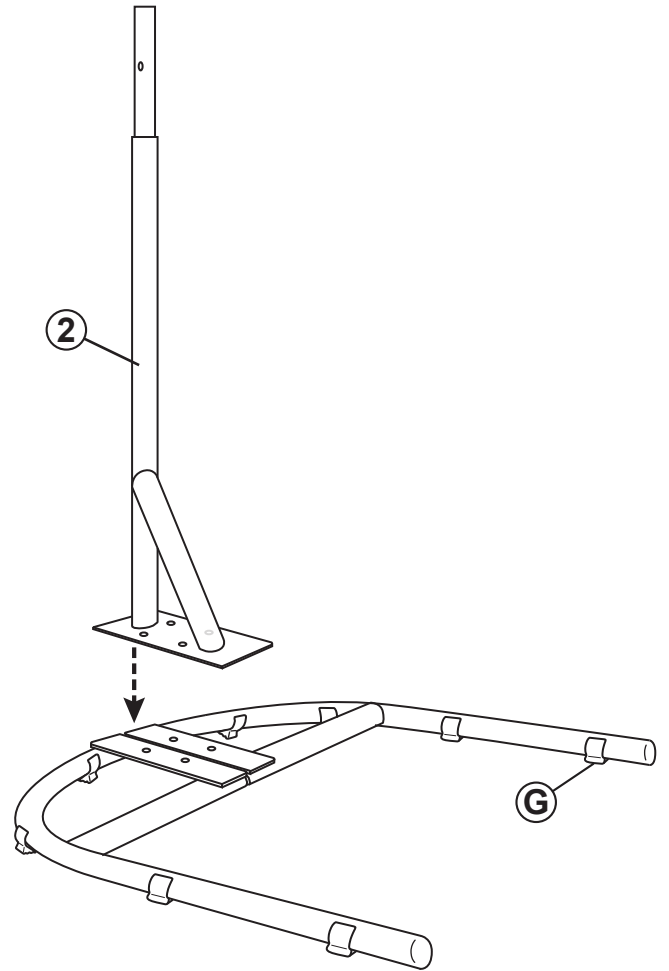
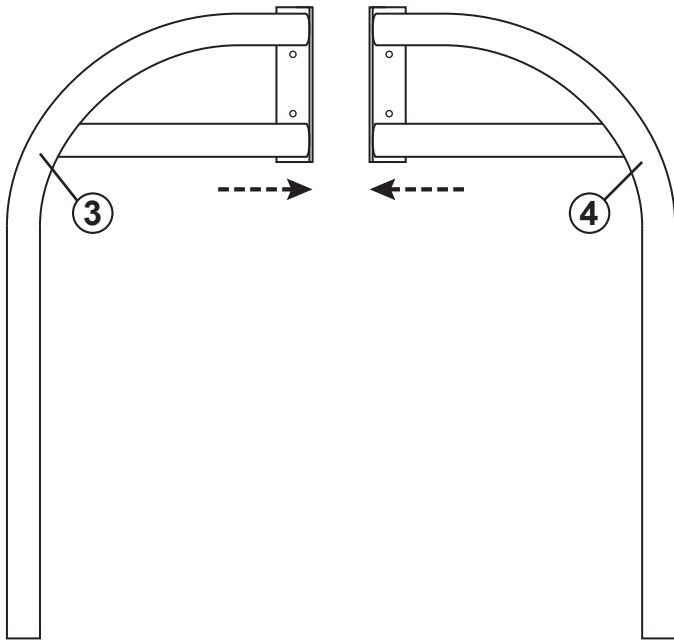
⚠ CAUTION ⚠
This chair stand is not designed for use as a swing. Bouncing, swinging, or any other significant movements while in use may cause serious injury.
This stand must be on a level, stable surface. Make sure all hardware is securely tightened before each use.
Weight Limit: 330 lbs.

| No. | PARTS | QTY. |
|-----|--|------|
| 1 |  Top Pole | 1 |
| 2 |  Bottom Pole | 1 |
| 3 |  Left Base Pole | 1 |
| 4 |  Right Base Pole | 1 |
| A |  Wrench | 1 |
| B |  Hex Key | 1 |
| C |  Extension Spring | 1 |
| D |  Pin | 1 |
| E |  Long Bolt Set | 1 |
| F |  Short Bolt Set | 6 |
| G |  Foot | 8 |
| S |  Washer | 12 |

⚠ WARNING!

CHOKING HAZARD — This item contains small parts that can be swallowed. Keep children away during assembly.

ASSEMBLY

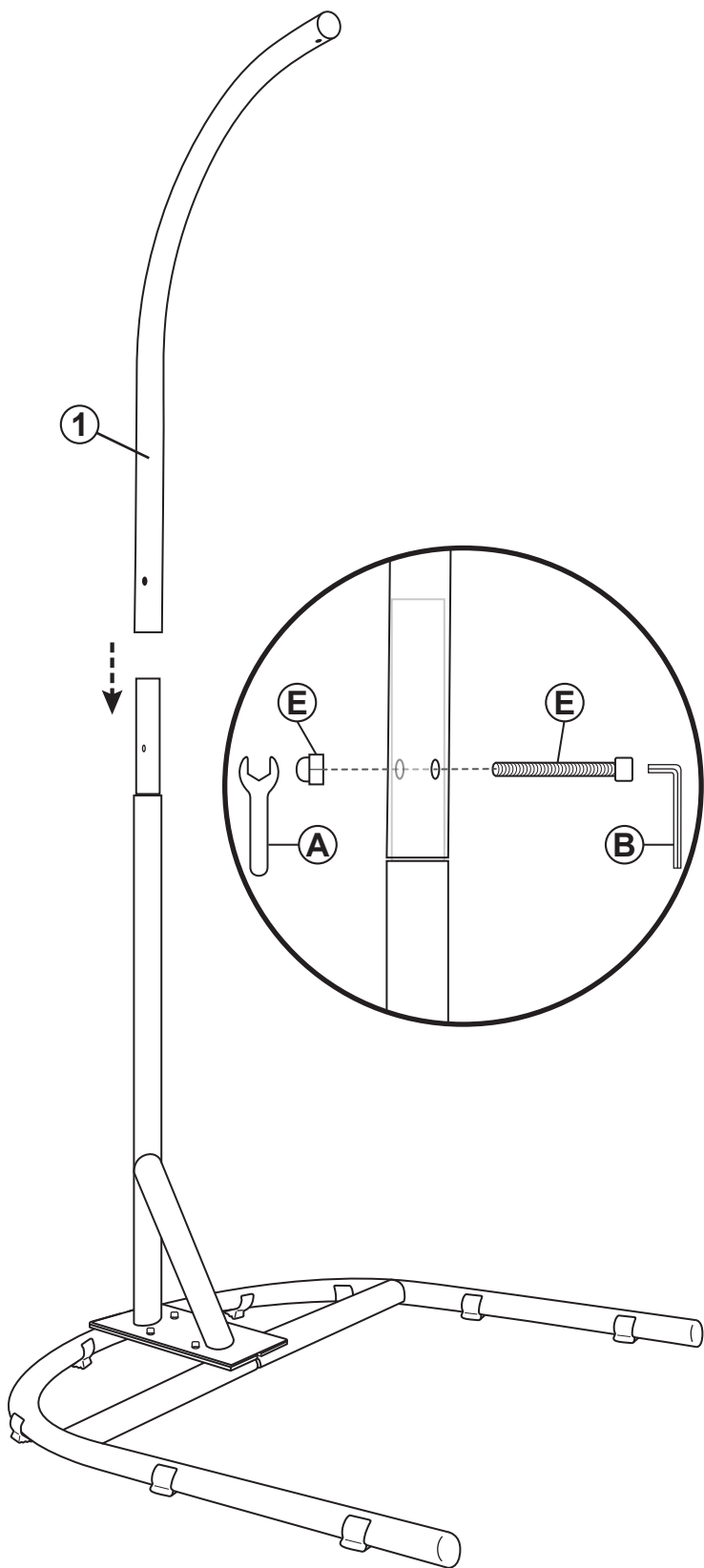


STEP 1

Align Left Base Pole (3) and Right Base Pole (4).
Use 2x Short Bolt Set (F) and 4x Washer (S) to connect the base poles.

STEP 2

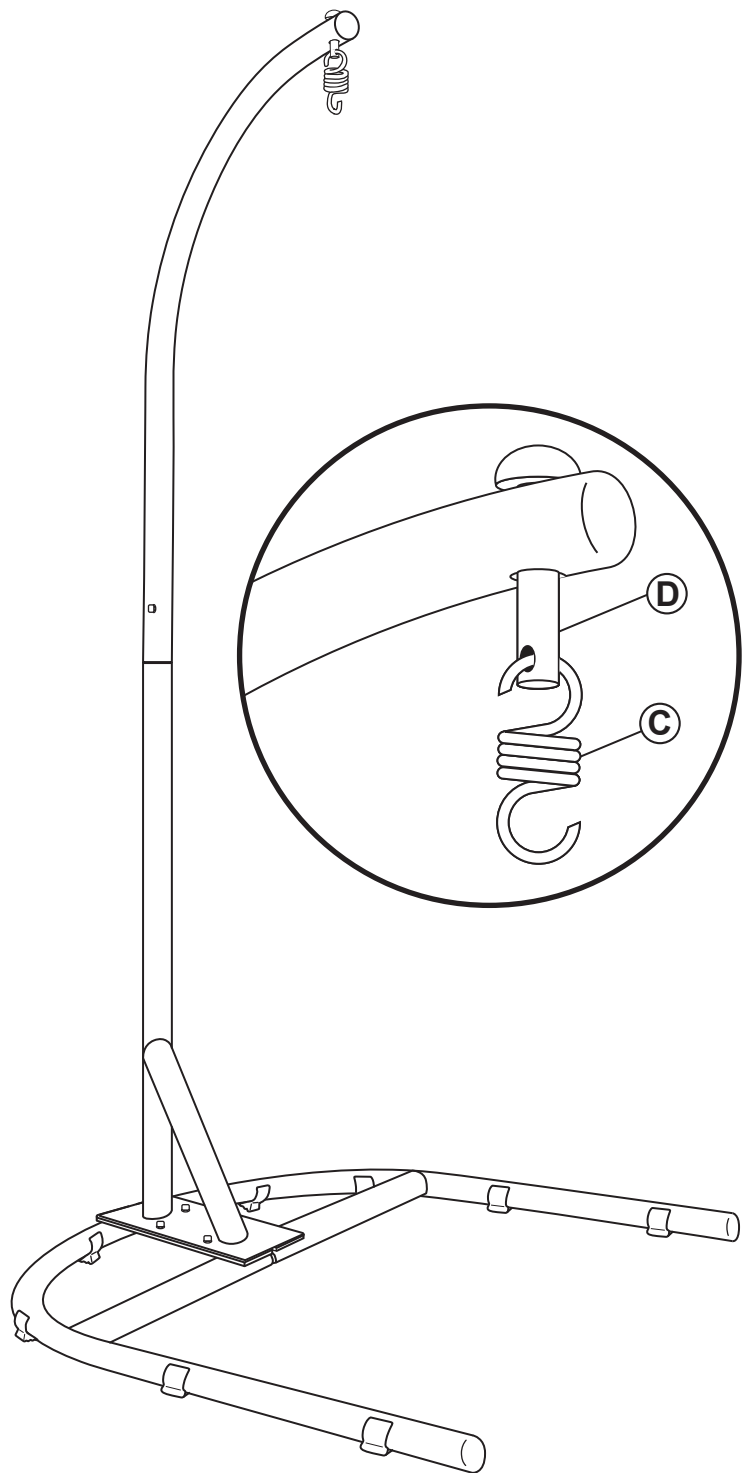
Carefully snap Foot (G) onto the base, ensuring they are evenly spaced.
Place Bottom Pole (2) onto the base.
Use 4x Short Bolt Set (F) and 8x Washer (S) to secure the pole to the base.



STEP 3

Slide Top Pole (1) onto the bottom pole, ensuring the holes are aligned.

Use 1x Long Bolt Set (E) to connect the poles.



STEP 4

Place Pin (D) into the top pole. Hook the Extension Spring (C) through the bottom of Pin (D).

USE & CARE

Under normal use, Sunnydaze hammock chair stands will last for years. It is important to follow basic use & care tips to prolong the life of your stand.

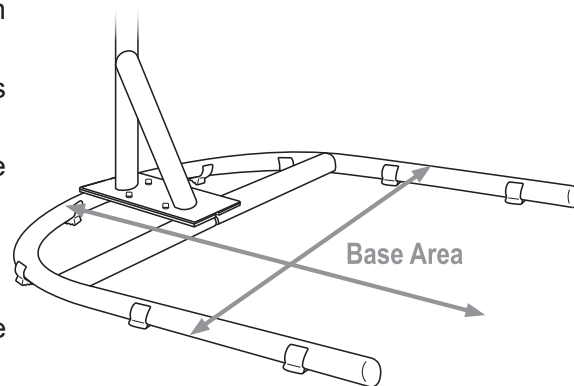
- **SAFE USE:** Do not use this chair stand for swinging, bouncing, jumping, twisting, or other excessive movements; doing so may cause serious injury, including, but not limited to, the stand tipping over.
- **CHILDREN:** Supervise children at all times. Do not allow children to play on or sleep in any hanging chair. Chair not included.
- **INSPECTION:** Ensure the stand is assembled correctly and all hardware is securely tightened before each use.
- **CLEANING:** Use a soft cloth, warm water and soap to wipe down the stand if necessary. Dry the stand after cleaning to prevent rust.
- **SCRATCHES:** The powder coating on the stand is tough and durable but, even under normal use, some scratching is inevitable. To avoid excessive rust, wipe these areas as needed to remove moisture.
- **STORAGE:** Store the stand indoors when not in use. Cool, dry locations are recommended to prevent damage and rust that may result from exposure to moisture.

TROUBLESHOOTING

- If the stand feels unstable, make sure it is on a level surface and the feet are correctly and evenly distributed.
- If the stand is making noise when in use, check to make sure all hardware is fully tightened.

! SAFETY STATEMENTS & WARNINGS !

- Do not exceed the weight capacity: 330 lbs
- Do not swing, bounce, jump, twist, or spin in any hanging chair while using this stand. This stand was designed for sitting calmly in an hanging chair. Chair not included.
- Sunnydaze Hanging Chair Stand is intended to be used by one person at a time.
- This chair stand must be used with all provided parts. Install all parts in accordance with the assembly instructions.
- Ensure all hardware is properly installed and securely tightened before each use.
- Always inspect the stand and hardware for damage before each use.
- Do not allow children to use this product without adult supervision.
- When in use, the chair (not included) should remain inside the base area at all times. A diagram of the base area is shown on the right.



Any modification to the product or failure to follow recommended care will void the product warranty.

! WARNING:

Manufacturer and seller expressly disclaim any and all liability from personal injury, property damage or loss, whether direct or indirect, or incidental, resulting from the incorrect attachment, improper use, inadequate maintenance, or neglect of this product.

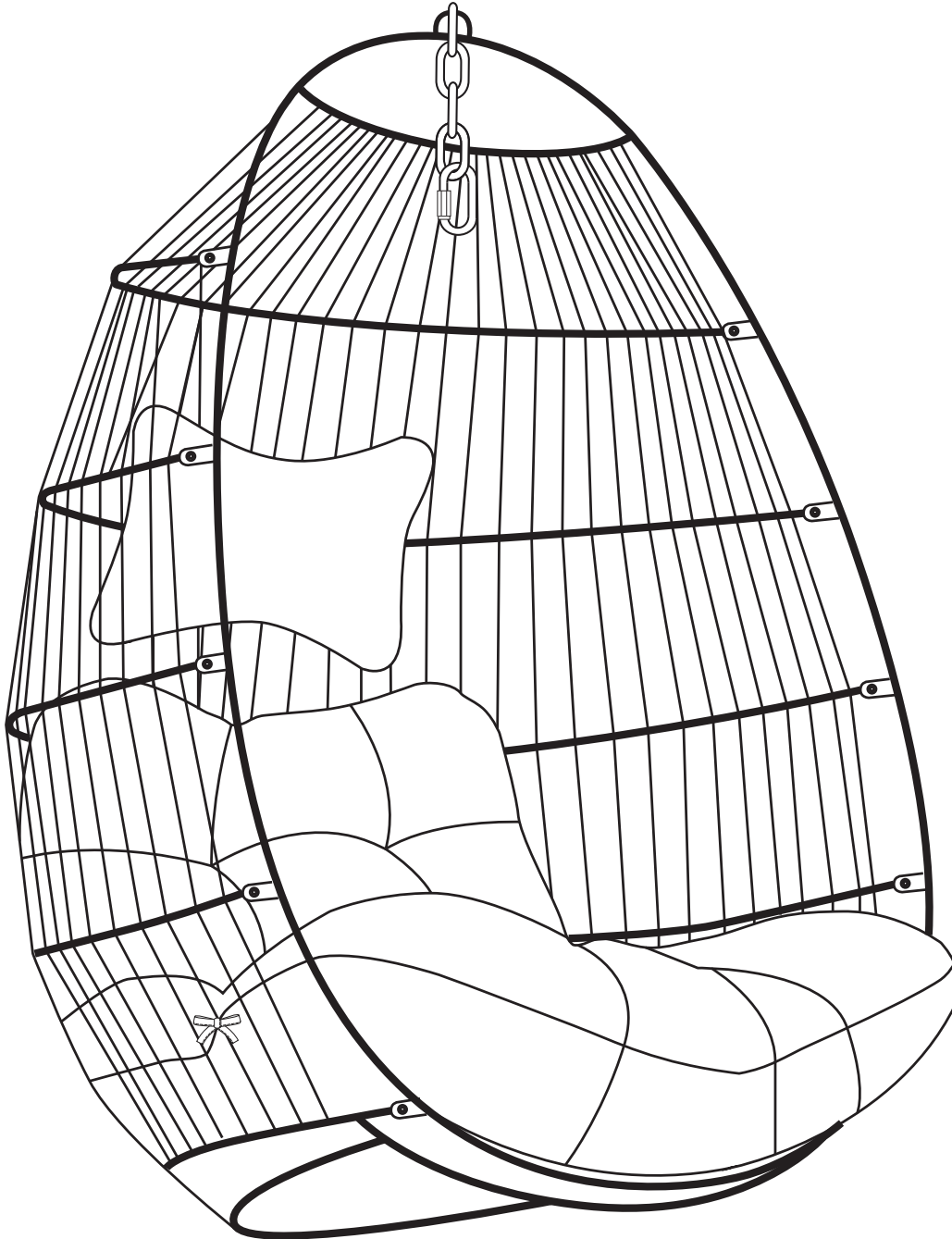
JULIA EGG CHAIR

Read all assembly and care instructions carefully before using this product.

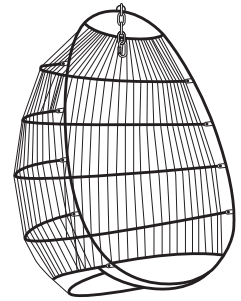
Save this manual for future reference.



Inspect packaging to ensure all parts are accounted for before disposing of packing materials.



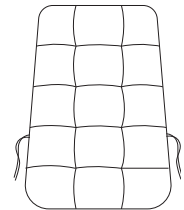
PARTS



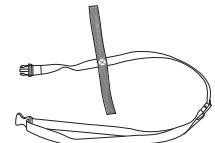
Chair
Qty. 1



Pillow
Qty. 1



Seat Cushion
Qty. 1

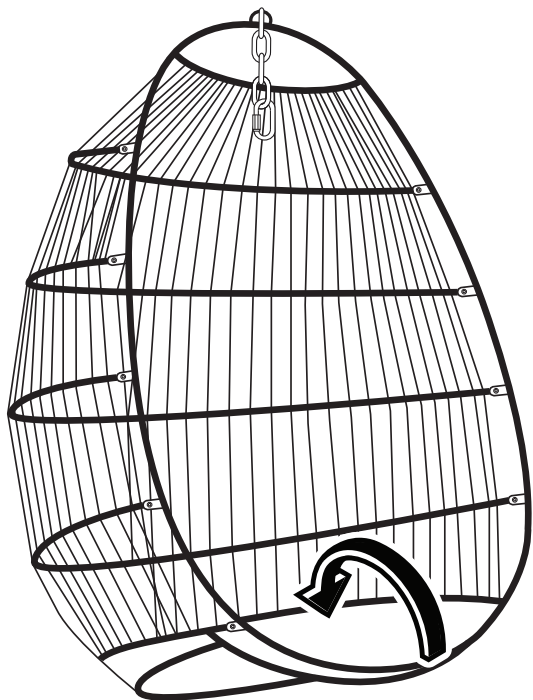


Safety Strap
Qty. 1

! CAUTION !

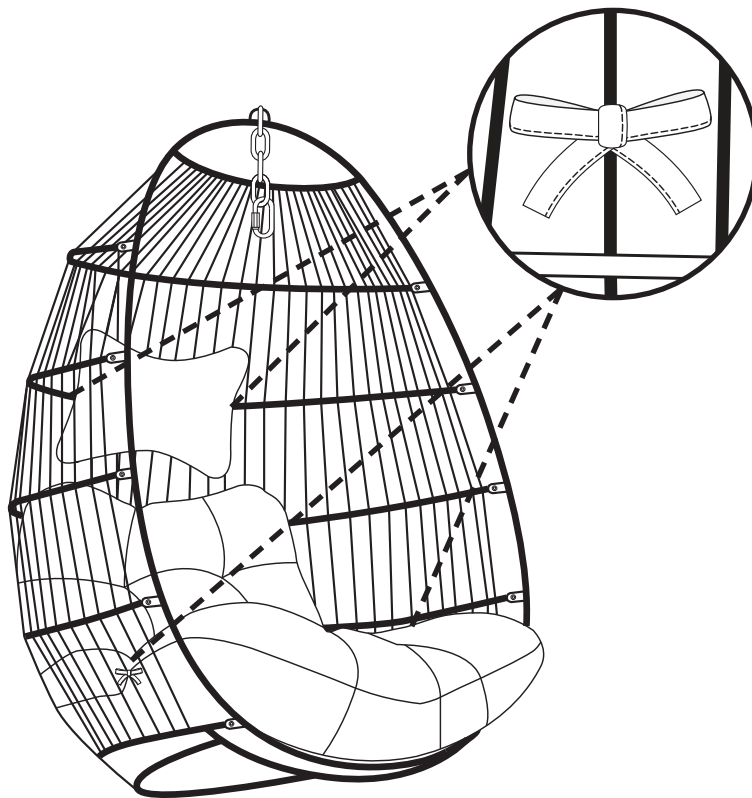
This chair is not designed for use as a swing. Bouncing, swinging, or any other significant movements while in the chair may cause serious injury. The safety strap must be used with or without the Sunnydaze Egg Chair Stand. Inspect the chair and hanging hardware for damage before each use. Weight Limit: 330 lbs.

ASSEMBLY



Step 1

Unfold the chair so the seat is flat.



Step 2

Place the seat cushion into the chair. Tie the cushion and pillow to the chair ropes. Do not tie to the metal frame.

USE & CARE

With proper care and under normal use, Sunndaze egg chairs will last for years. It is important to follow basic use & care tips to prolong the life of your egg chair.

- **HANGING:** Hardware to hang this chair on a Sunndaze Egg Chair Stand is included. If this chair is used without the Sunndaze Egg Chair Stand, consult a professional for installation and anchoring hardware requirements.
- **SAFE USE:** Do not swing, bounce, jump, twist, or other make other excessive movements while using this chair; doing so may cause serious injury. Do not use this chair without the safety strap; this strap helps keep the chair safely in place while getting in and out of the chair.
- **CHILDREN:** Supervise children at all times. Do not allow children to play on or sleep in hanging chairs.
- **INSPECTION:** Check the seat, ropes, and frame for damage before each use.
- **CLEANING:** Wipe with a damp cloth. For tougher stains, use mild detergent and a soft cloth to gently scrub. Rinse thoroughly and lay flat to air-dry to prevent mold and mildew growth.
- **STORAGE:** Store indoors during winter and inclement weather. Cool, dry locations are best to help prevent damage. Exposure to moisture may cause mold and mildew growth. Prolonged exposure to sunlight will cause the cushions to fade.

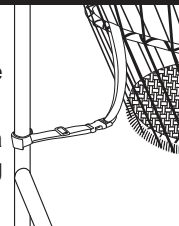
! SAFETY STATEMENTS & WARNINGS !

- Do not exceed the weight limit: 330 pounds
- Sunndaze Egg Chair is not a swing. Do not swing, bounce, jump, twist, or spin in the chair.
- This product is intended to be used by one person at a time.
- For safety, the chair must be used with the safety strap provided.
- Do not loop the safety strap around the ropes or rattan material of the chair.
- Inspect the chair for damage and ensure all materials are intact before each use.
- Do not allow children to use this product without adult supervision.

Safety Strap Installation:

Only loop the strap around the frame of the chair, as shown.

Strap shown installed on a Sunndaze U-Shape Hanging Chair Stand (not included).



Any modification to the product or failure to follow recommended care will void the product warranty.

! WARNING:

Manufacturer and seller expressly disclaim any and all liability from personal injury, property damage or loss, whether direct or indirect, or incidental, resulting from the incorrect attachment, improper use, inadequate maintenance, or neglect of this product.