

# **WARNING!!**

## **Furniture Tipping Risk.**

**Serious risk of severe or fatal crush injuries can occur from furniture tipping over if not secured.**

**Children like to climb on furniture and Unsecured furniture can pose a serious danger.**

**Please follow all instructions and install the tip-over restraints provided.**

**In addition to installing the restraints, to help prevent tip-over:**

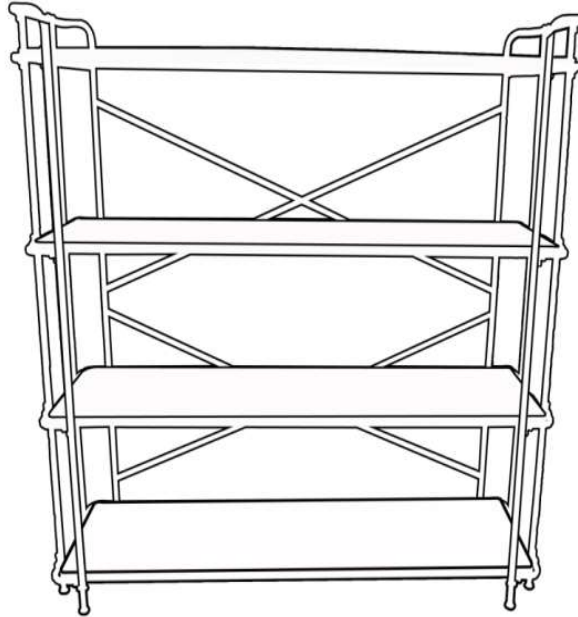
- 1. Unless specifically designed to accommodate, do not set TV's or other heavy objects on top of this product.**
- 2. Never allow children to climb or hang on the shelves.**
- 3. Do not step on the Bookshelf base.**

# Assembly Instructions

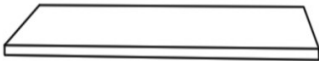


**Caution : You must read this before you proceed**


NOTE: It is recommended that you have a partner to assist during the entire assembly process.

## Bookcase



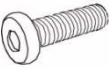



### Parts List





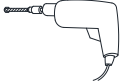

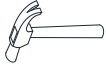
Label	Picture	Description	QTY
A		Wooden Shelf	4
B		Left Leg Frame	1
C		Right Leg Frame	1

D		"X" Iron Stretcher	2
---	--	--------------------	---

## Hardware

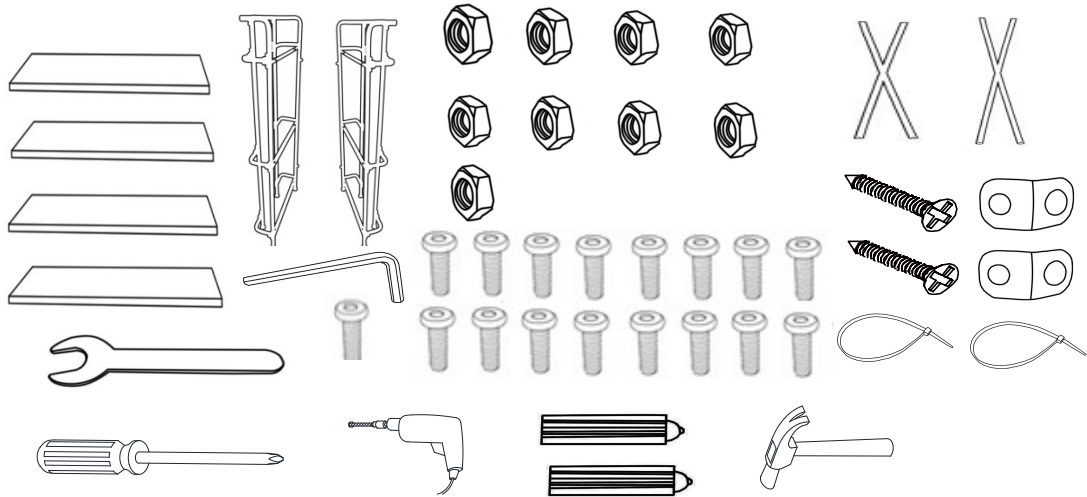
Label	Picture	Description	QTY
①		Nut	9
②		Wrench	1
③		Bolt(M6*15)	17
④		Allen Key	1

## Cabinet Restraint Device Hardware

⑤		Screws (5cm Self Tapping)	2
⑥		L-shape Metal Brackets	2
⑦		Cabinet Restraint Strap	2
⑧		Screwdriver (Not provided)	1
⑨		Power Drill (Not provided)	1
⑩		Plastic Anchor	2
⑪		Hammer (Not provided)	1

# Assembly Preparation

Before Beginning Assembly:



- Read instructions, cover to cover-



- Have 2 adults on hand for assembly-



- Do not assemble on flooring or carpet-

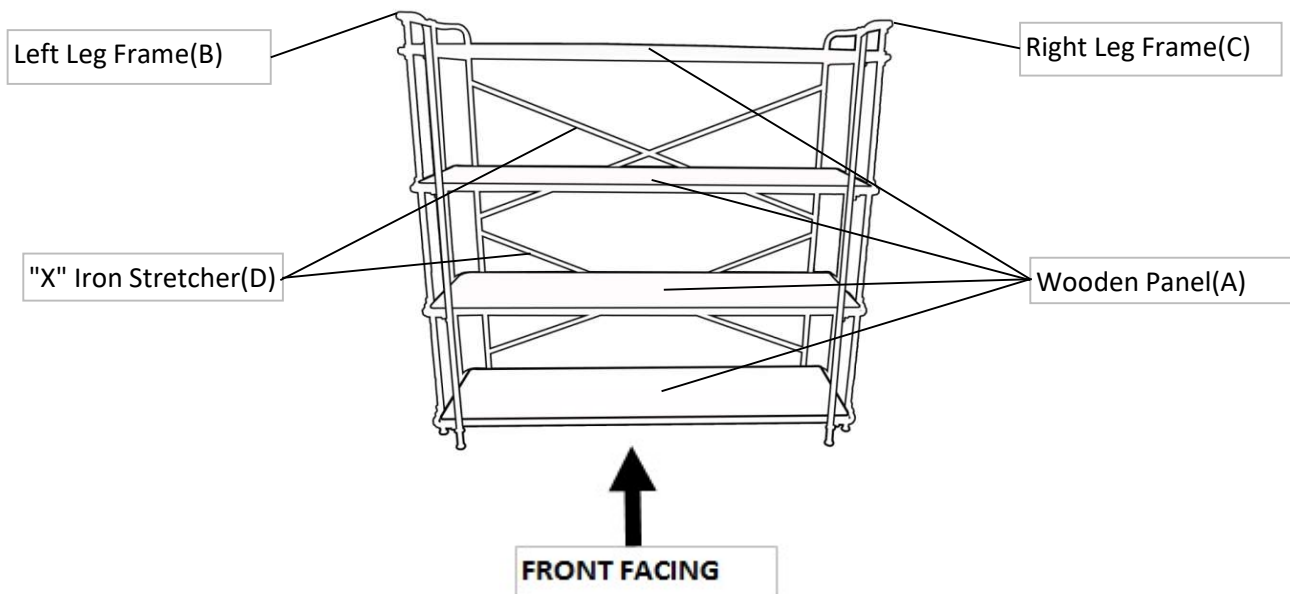


- Assemble on a clean non-marring surface (packing foam)-



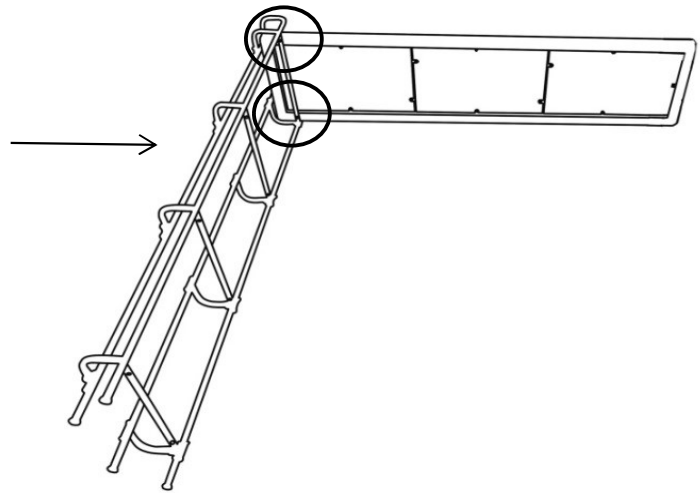
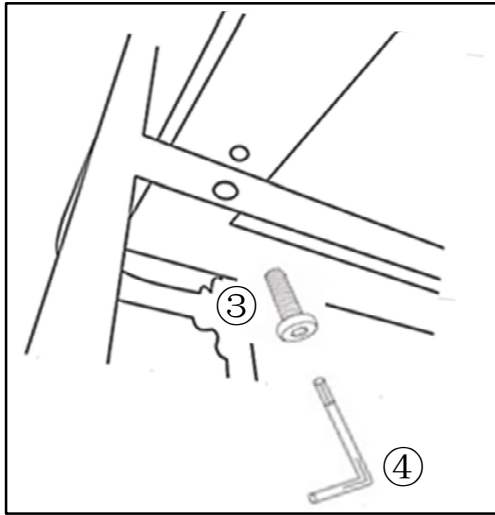
- Save all packaging until finished-

## Parts Introduction



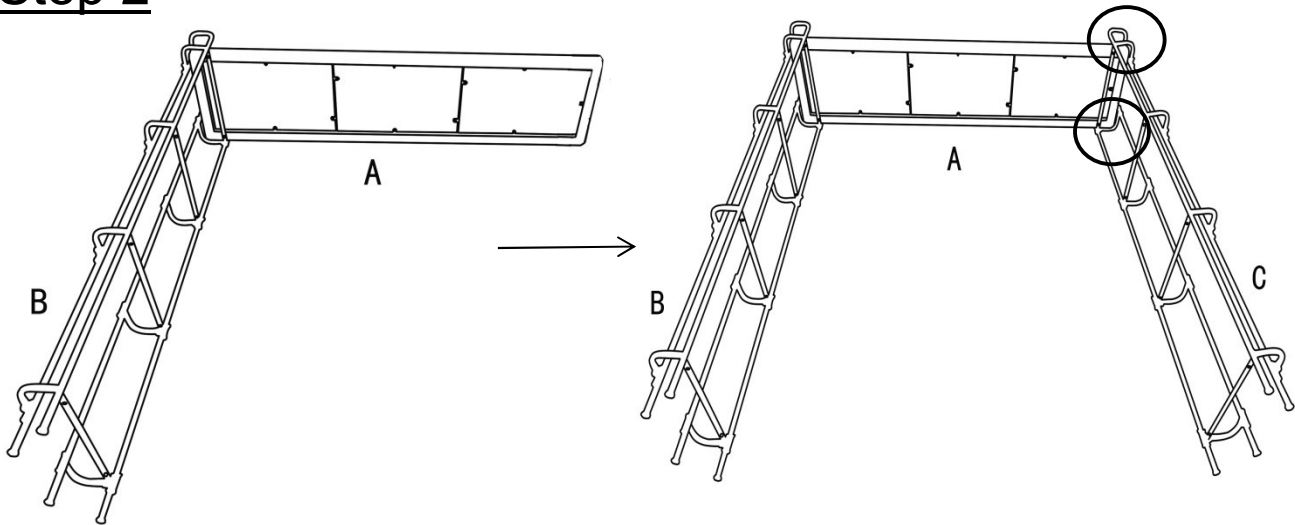
This Bookcase has multiple parts and may require up to some 30 minutes to assemble. To give you an overview of the Bookcase parts, the above picture is to help you put the various parts into perspective. Please read through the instructions herebelow to familiarise the parts and steps before assembly.

## Step 1



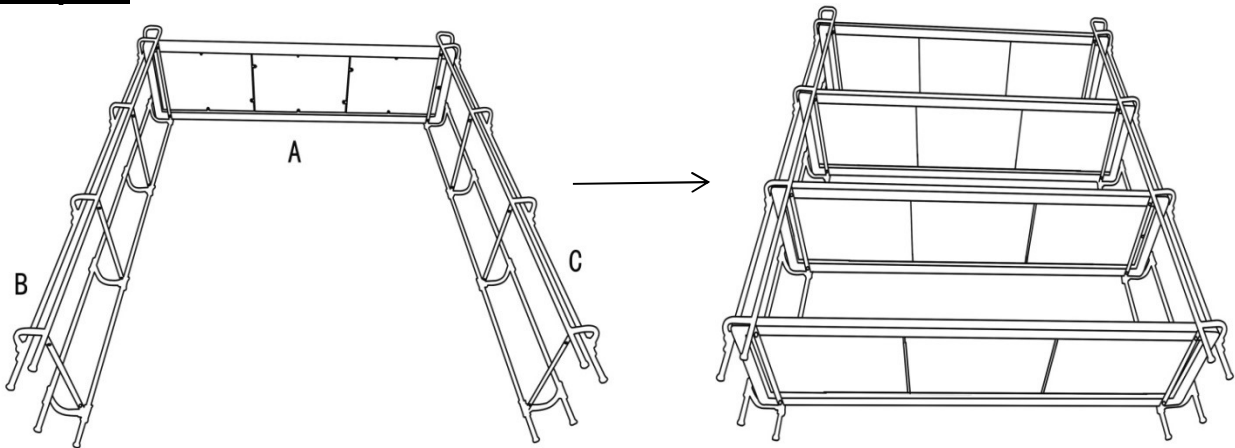
Open the carton and place all parts onto a clean, non-marring surface. Place the Left Leg Frame(B) on it's side as shown. Attach top Wooden Shelf(A) first to Left Leg Frame(B) using Bolt(3) with Allen Key(4).  
**Only Loosely Tighten.**

## Step 2



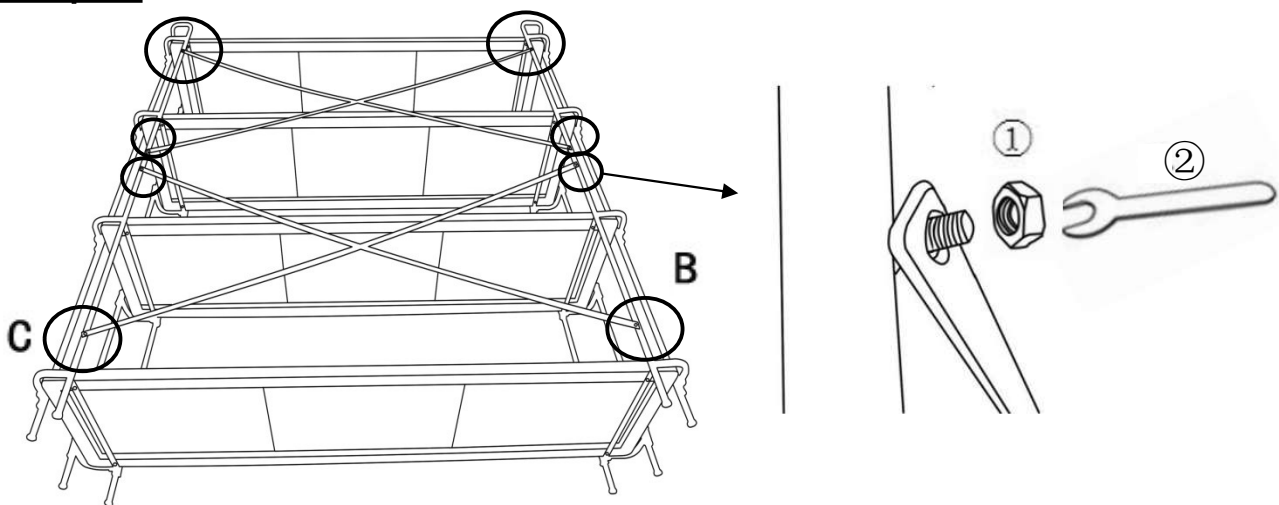
Attach Wooden Shelf(A) to Right Leg Frame(C) using Bolt(3) with Allen Key(4).  
**Only Loosely Tighten.**

### Step 3



Repeat Steps 1 & 2 with remaining 3 Wooden Shelves(A) from top to bottom.  
**Only Loosely Tighten.**

### Step 4

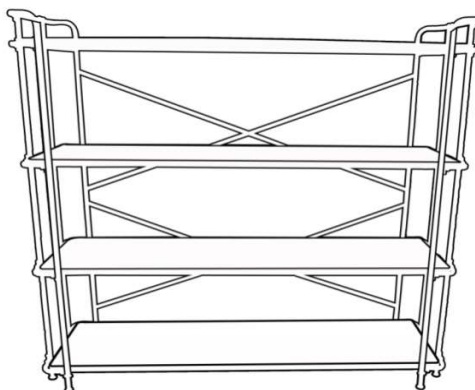


Turn the Bookcase face down as shown.  
Rotate the "X" Iron Stretcher(D) to the desired position towards the four corners of the Bookcase.

Attach "X" Iron Stretcher to the Bookcase using Nut(①) with Wrench(②).  
Repeat this process with the second "X" Iron Stretcher.

**Remind: This "X" Iron Stretcher (D) is packed in top of Left Frame (B).  
Only Loosely Tighten.**

### Step 5



Stand the Bookcase up.

Check for stability and then tighten the Bolts.

**DO NOT** fully tighten a BOLT in one go and then move on to the next.

Rather, in a sequential manner, gradually tighten each Bolt until all Bolts are evenly secured. This methodology will ensure maximum evenness once all Bolts are fully tightened.

**Note: This step is done better with the assistance of a second adult.**

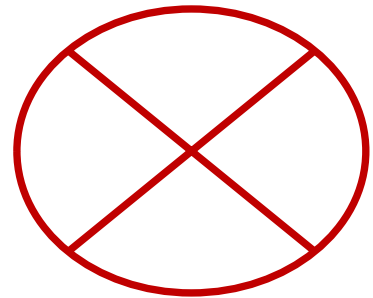
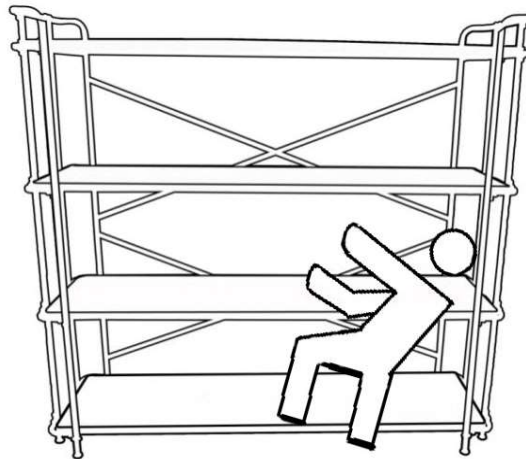


## **WARNING**

**Serious or fatal crushing injuries can occur from tipping furniture.**

**To help prevent tip-over: ALWAYS secure this furniture to the wall using Cabinet Restraint Device.**

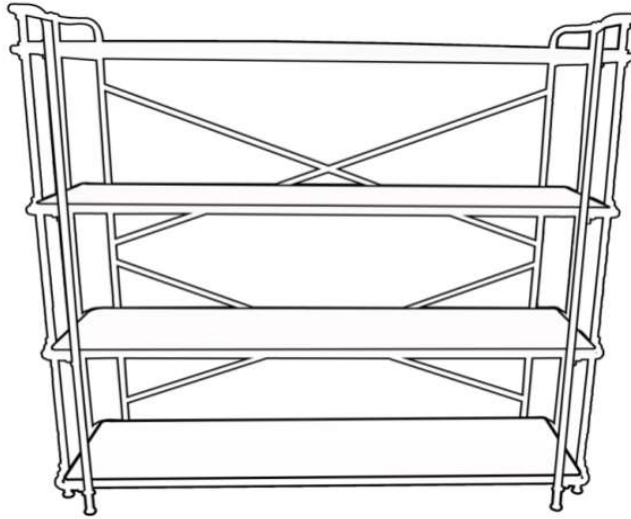
**See product instructions for more ways to help prevent furniture tip-over.**



Usage For Cabinet Restraint Device:

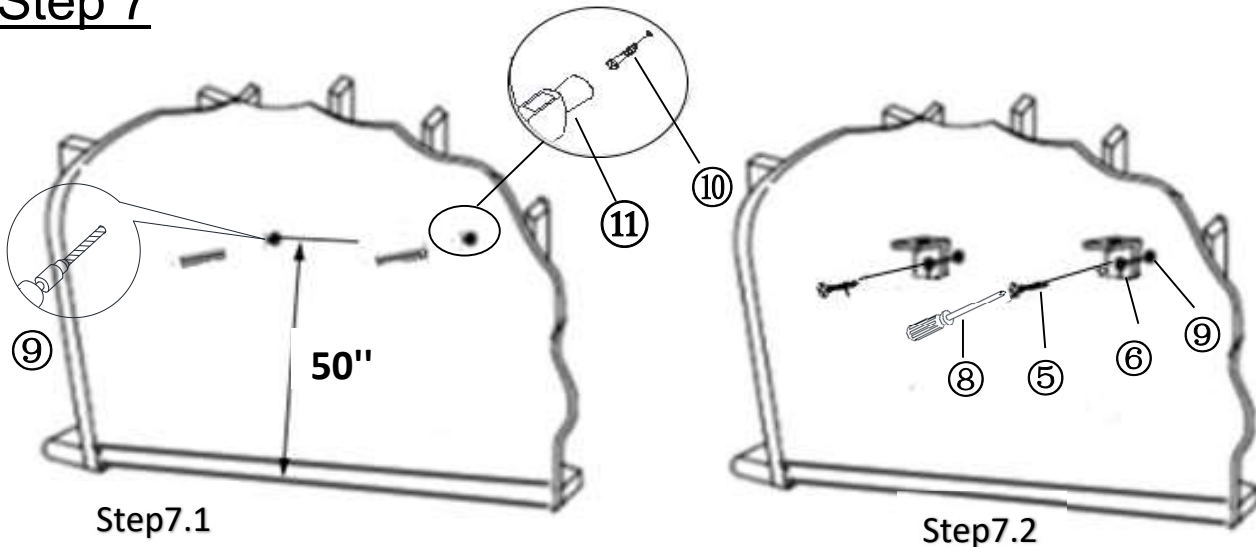
For Bookcase against wall, fix 2pcs L-Shape Metal Brackets(⑥) on wall and 2pcs L-Shape Metal Brackets(⑥) on product, use Cabinet Restraint Strap(⑦) to connect the L-Shape Metal Bracket(⑥) on wall and product. Find details as below:

## Step 6



Firstly, turn back the table outwards as shown above.

## Step 7



**7.1)** Use Power Drill(⑨) Drill two mounting positions on wall at same height, bury Plastic Anchor(⑩) into the mounting position with a Hammer(⑪) (No provide).

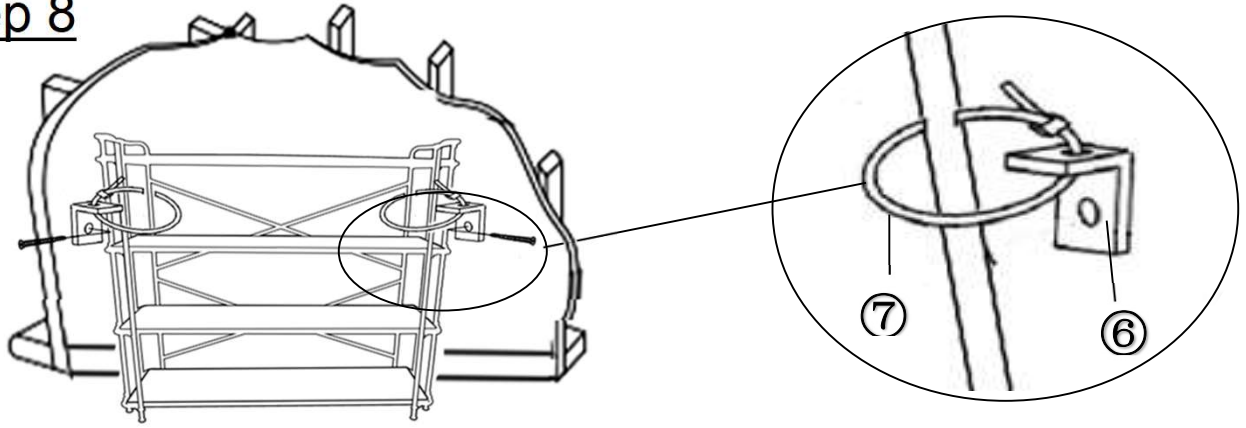
**(Caution: The distance from Brackets to ground should be 50")**

**7.2) Attach L-Shape Metal Brackets(⑥) to Plastic A nchor(⑩)using Screws(⑤) with Screwdriver(⑧).**

**Note: The Metal Brackets need to be secured to solid, load bearing surface. Please use a Stud Finder(not supplied) if needed to locate the Wall Frame.**



## Step 8






Move the Bookcase back against wall.

Pull the Cabinet Restraint Straps(⑦) through the L-Shape Metal Brackets(⑥) on the wall and Bookcase one by one, and pull the Cabinet Restraint Straps(⑦) tight.

Your Bookcase is ready for use.

This Bookcase can only be used on a flat, level surface.

## Care & Maintenance

- ⊘  • Do not put hot items directly on furniture surface.
  - ⊘  • Do not clean furniture with harsh cleansers or polish.
  - ✓  • To obtain the longest lifespan of your outdoor products, minimizing exposure to direct sunlight is recommended.
  - ⊘  • Children should not climb or jump on the furniture.
  - ⊘  • Do not write on furniture without a padded barrier to protect the surface.
  - ✓  • To obtain the longest lifespan of your outdoor products, avoid extended and lengthy exposure to rain, snow, and direct sunshine. Whenever possible cover the product and /or place under patio or awnings.
  - ⊘  • Not for commercial use. For residential use only .
  - ⊘  • Stains may be removed with mild soap solution and damp cloth.
- 
- ✓  • Dust and pick-up spills using a clean, non-colored, lint-free cloth .