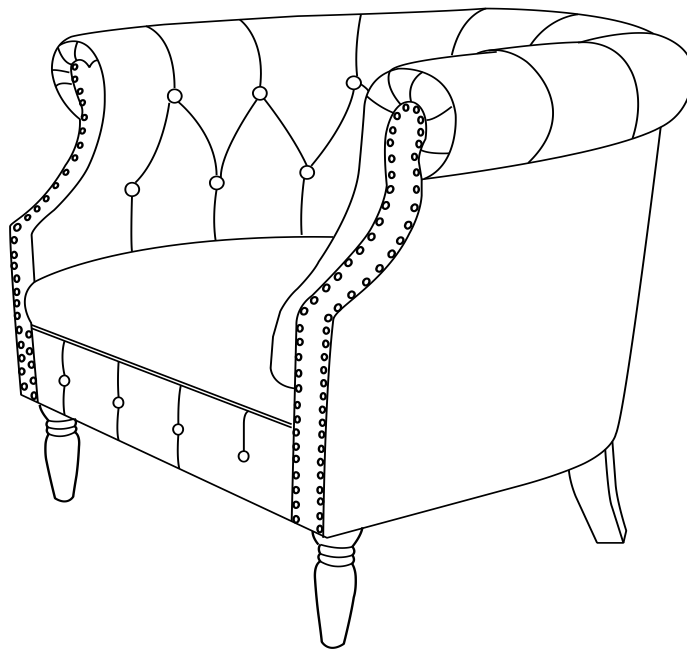


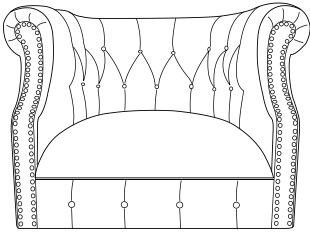


Assembly Instructions

Caution :You must read this before you proceed



Club Chair



Parts List

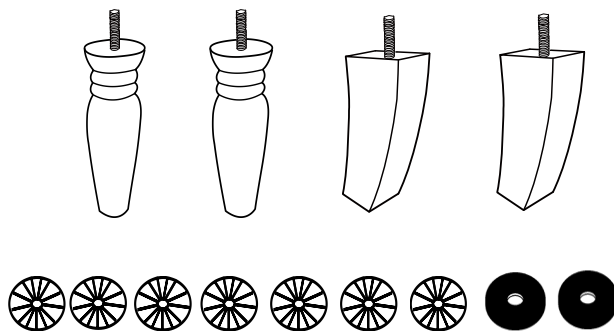
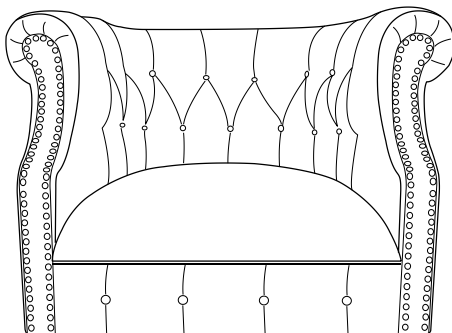
Label	Picture	Description	QTY
A		Chair Base	1
B		Front Leg	2
C		Back Leg	2

Hardware

Label	Picture	Description	QTY
①		Plastic Washer	7
②		Rubber Washer	2

Assembly Preparation

Before Beginning Assembly:





- Read instructions, cover to cover-



- Have 2 adults on hand for assembly-



- Do not assemble on flooring or carpet-



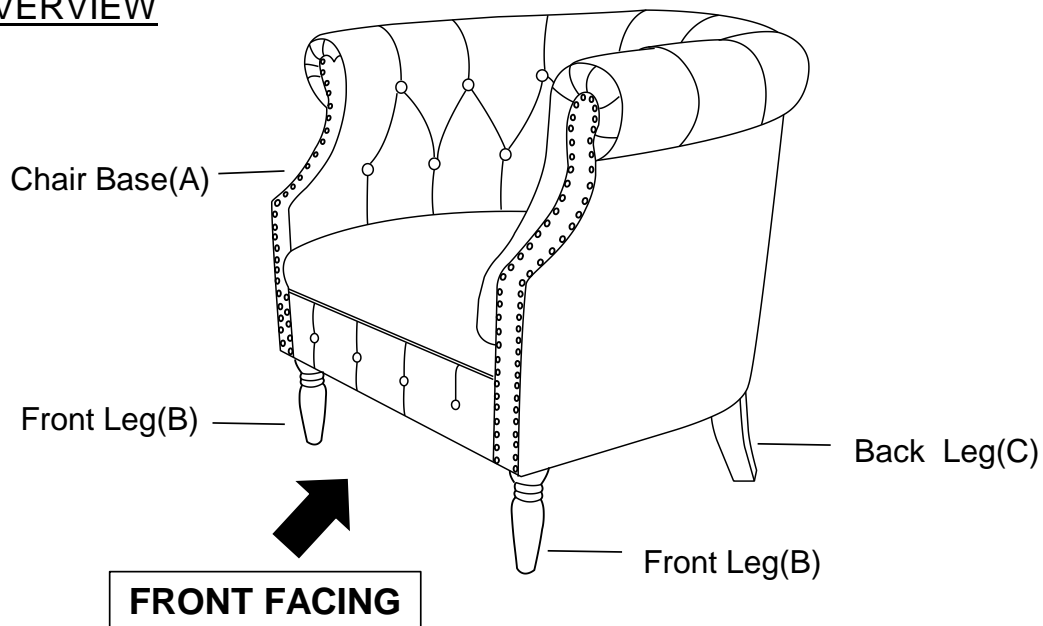
- Assemble on a clean non-marring surface (packing foam)-



- Save all packaging until finished-

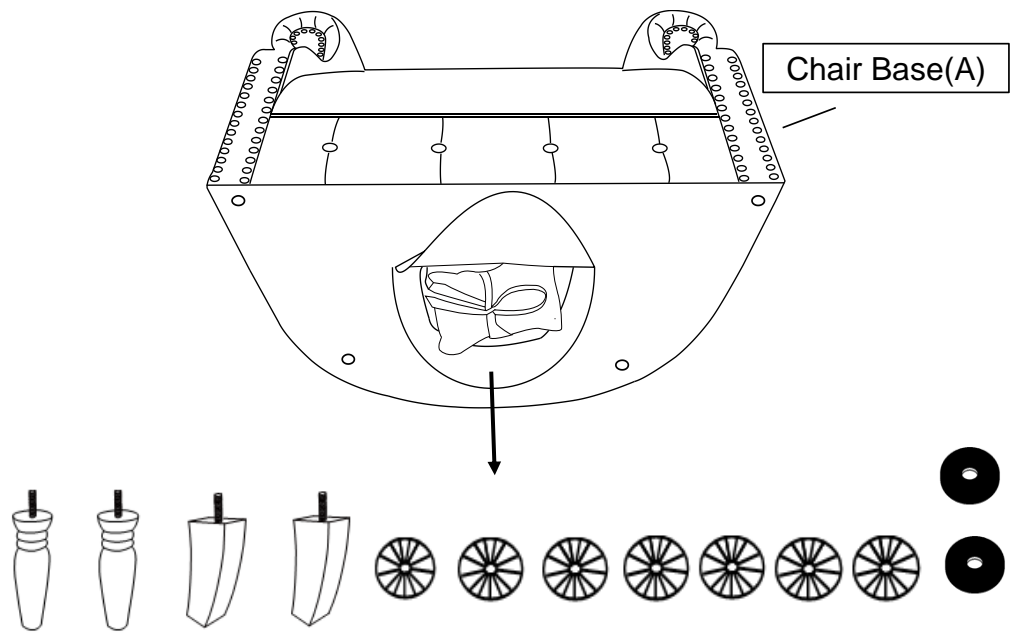
Assembly Steps

OVERVIEW



This Club Chair has multiple parts and may require up to some 30 minutes to assemble. To give you an overview of the Club Chair parts, the above picture is to help you put the various parts into perspective. Please read through the instructions below to familiarise yourself with the parts and steps before assembly.

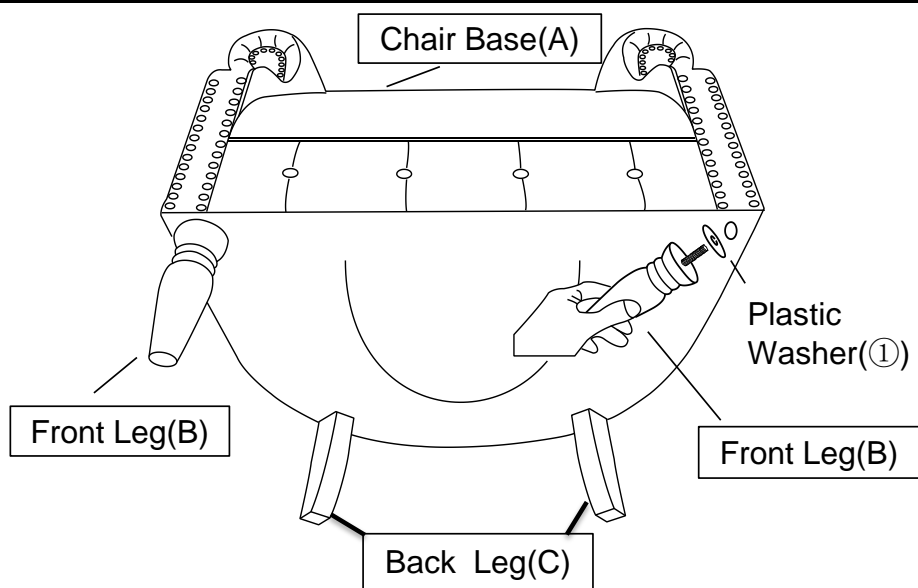
Step 1



Position the chair on its back, as shown.

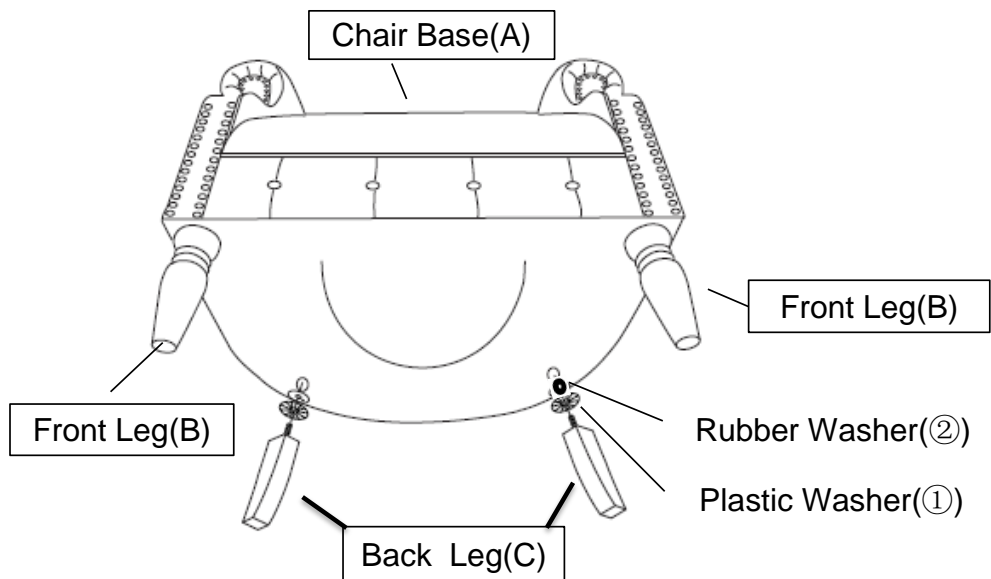
Unzip to open pouch and remove the 4 wooden legs and hardware bag, close the pouch.

Step 2



Install the Front Leg(B) into the bottom of the Chair Base(A) by placing the Plastic Washer(1) onto the threaded stem.

Step 3



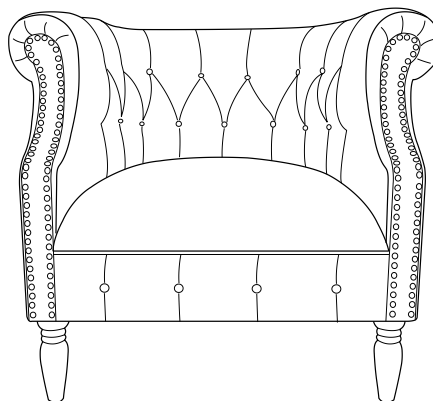
Install the Back Leg(C) into the bottom of the Chair Base(A) by placing the Plastic Washer(1) and Rubber Washer(2) onto the threaded stem. And then insert the threaded Stem into the threaded Mounting Position at each Corner of the Bottom of the Chair.

Tighten by turning the Legs clockwise.

Repeat the same steps to install the remaining Back Leg(C).

Note: The use of Plastic Washer(1) and Rubber Washer(2) are OPTIONAL and is especially useful to help alleviate slight wobbleness. Some legs may need more than one Plastic Washer(1) and Rubber Washer(2) whilst some legs may not need any.

Step 4



Your Club Chair is ready for use.

Your Club Chair can only be used on a flat, level surface.

Care & Maintenance



- Furniture may scratch floors. We recommend using furniture pads to protect your floors.



- Do not put hot items directly on furniture surface.



- Do not clean furniture with harsh cleansers or polish.



- Do not place furniture under direct sunlight.



- Do not place furniture near heating or cooling vents.



- Do not write on furniture without a padded barrier to protect the surface.



- Do not place furniture outside . For indoor use only.



- Not for commercial use. For residential use only.



- Stains may be removed with mild soap solution and damp cloth.



- Children should not climb or jump on the furniture.



- Dust and pick-up spills using a clean, non-colored, lint-free cloth.