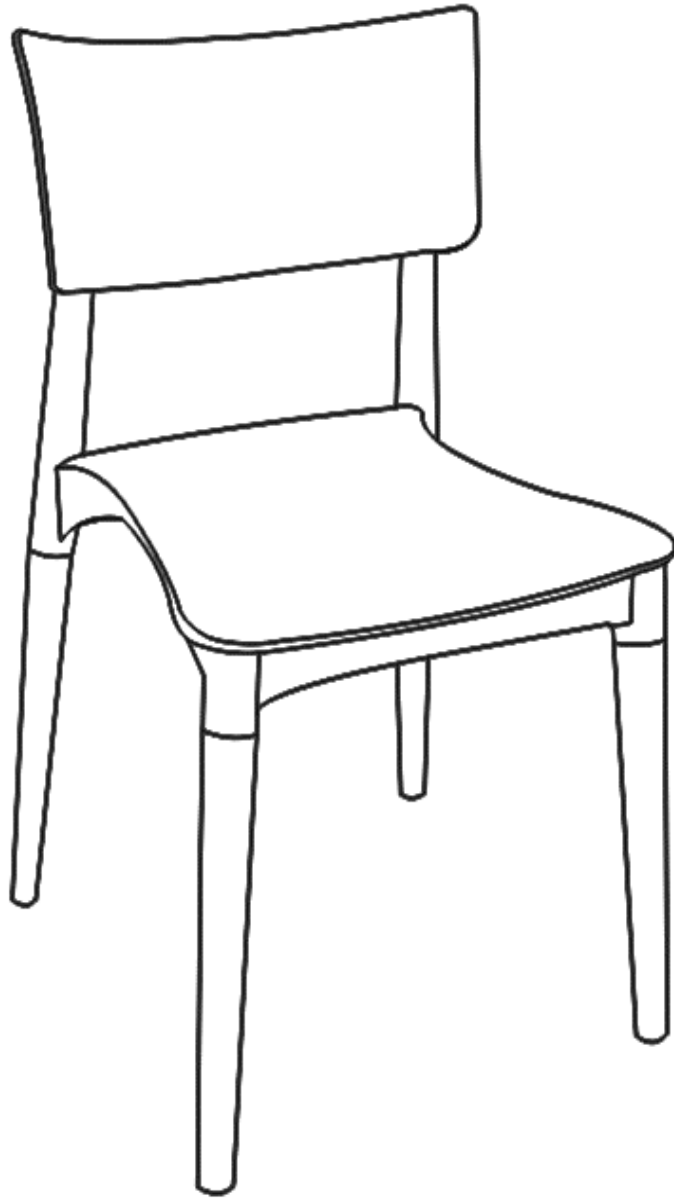


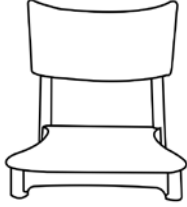
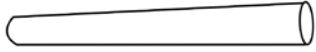
Assembly Instructions

Caution: You must read this before you proceed

DINING CHAIR



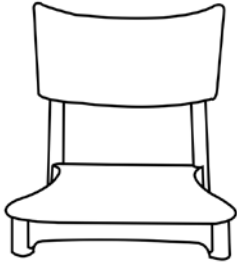
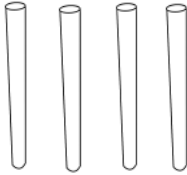





Part List






Label	Picture	Description	QTY
A		Seat	1
B		Wood Leg	4

Hardware

Label	Picture	Description	QTY
①		Bolt(M6*25mm)	9
②		Flat Washer	9
③		Allen Key	1
④		Base Angle	5
⑤		Spring Washer	9

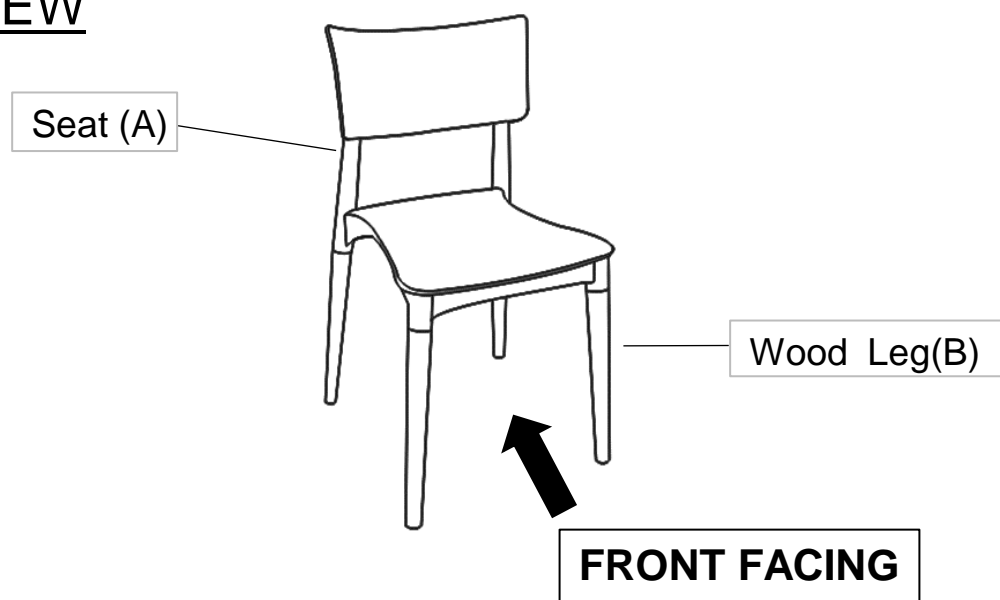
Assembly Preparation

Before Beginning Assembly:	   X9  X9   X5  X9
----------------------------	--

-  • Read instructions, cover to cover-
-  • Have 2 adults on hand for assembly-
-  • Do not assemble on flooring or carpet-
-  • Assemble on a clean non-marring surface (packing foam)-
-  • Save all packaging until finished-

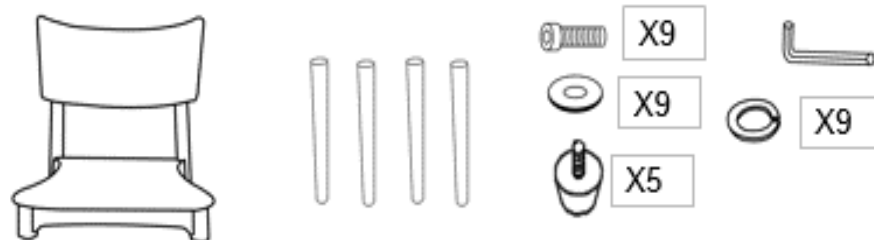
Assembly Steps

OVERVIEW



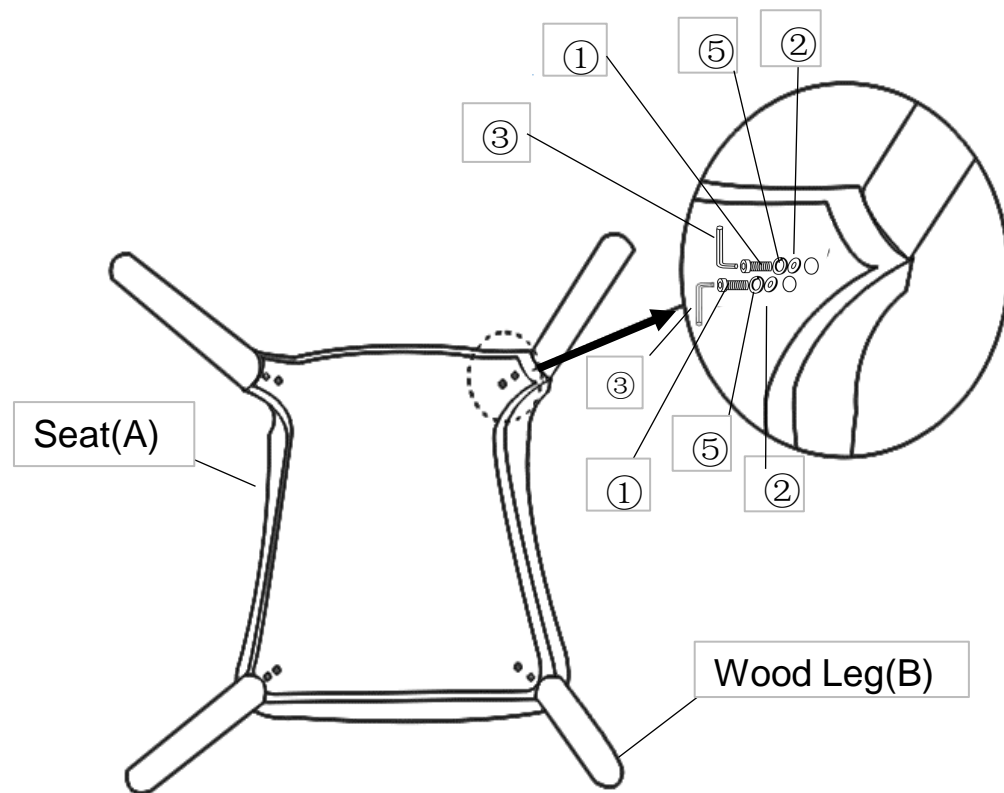
This Dining Chair has multiple parts and may require up to 30 minutes to assemble. To give you an overview of the Dining Chair parts, the above picture is to help you put the various parts into perspective. Please read through the instructions below to familiarise yourself with the parts and steps before assembly.

Step 1



Open the carton and place all parts on a clean, non-marring surface.

Step 2

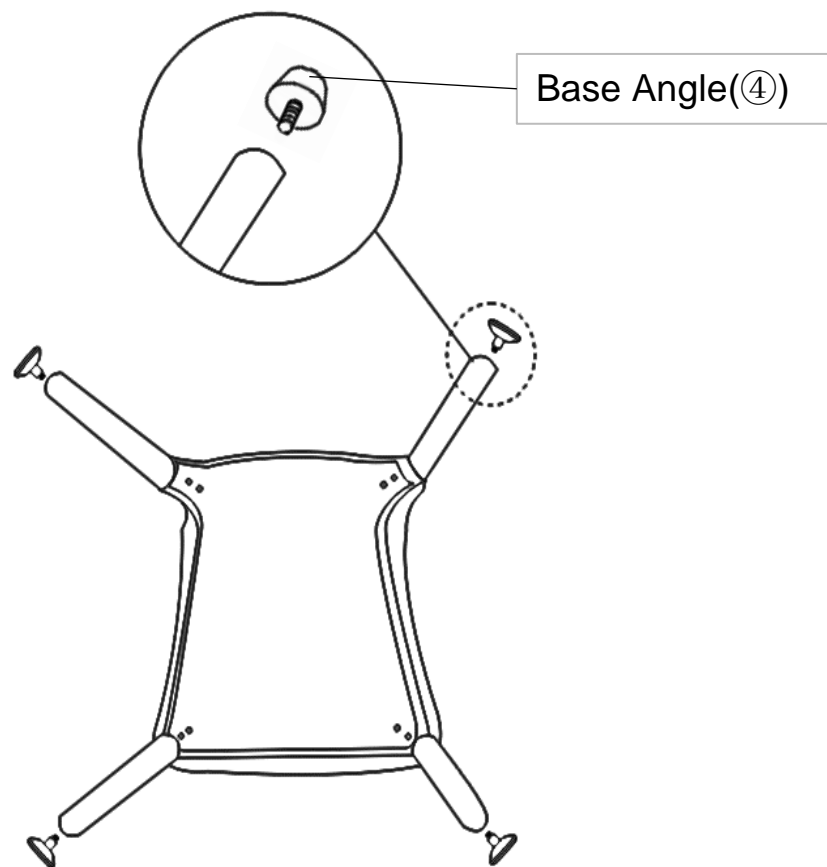


Place the Seat(A) face down, on a clean, non-marring surface. Insert Wood Leg(B) into Seat(A), align mounting positions between the Wood Leg(B) and Seat(A), then attach using Bolt(①), Spring Washer(⑤) and Flat Washer(②) with Allen Key(③).

Repeat the same step to install the remaining three Legs(B)

Do not fully tighten the Bolt.

Step 3



Install the Base Angel(④) to the wooden leg(B) with hand as pictured above.

Place the Dining Chair on a LEVEL SURFACE.

Inspect it and make sure all parts are adequately connected. Gently and gracefully, sit into to the Dining chair.

This will help to align all the parts at all joint areas.

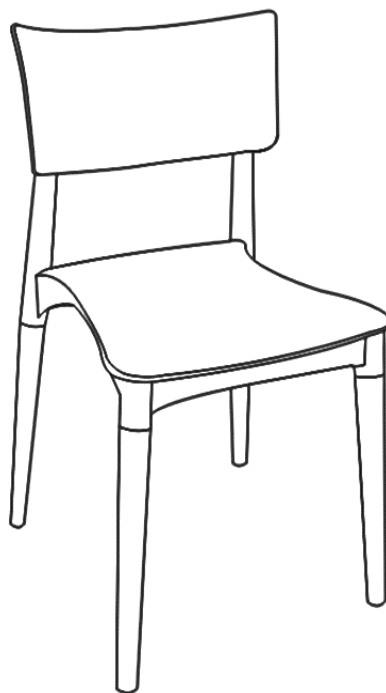
Then get off the Dining Chair and proceed to tighten the Bolts(①) in a sequential manner.

When tightening the Bolts(①) tighten sequentially.

DO NOT tighten any Bolts(①) fully and then move on towards the next one.

If there are still wobbles, loosen the Bolts(①) and execute this same process.





















Step 4



Your Dining chair is ready for use.

This Dining chair can only be used on a flat, level surface.

Care & Maintenance

-   ● Do not put hot items directly on furniture surface
 -   ● Do not clean furniture with harsh cleansers or polish.
 -   ● Do not place furniture under direct sunlight.
 -   ● Do not place furniture near heating or cooling vents.
 -   ● Do not write on furniture without a padded barrier to protect the surface.
 -   ● Do not place furniture outside . For indoor use only .
 -   ● Not for commercial use. For residential use only .
 -   ● Stains may be removed with mild soap solution and damp cloth.
 -   ● Children should not climb or jump on the furniture.
-
-   ● Dust and pick-up spills using a clean, non-colored, lint-free cloth .

Questions & Answers about Proposition 65

• What is Proposition 65?

Proposition 65 requires businesses to provide warnings to Californians about significant exposures to chemicals that cause cancer, birth defects or other reproductive harm. These chemicals can be in the products that Californians purchase, in their homes or workplaces, or that are released into the environment. By requiring that this information be provided, Proposition 65 enables Californians to make informed decisions about their exposures to these chemicals.

Proposition 65 also prohibits California businesses from knowingly discharging significant amounts of listed chemicals into sources of drinking water.

Proposition 65 requires California to publish a list of chemicals known to cause cancer, birth defects or other reproductive harm. This list, which must be updated at least once a year, has grown to include approximately 900 chemicals since it was first published in 1987.

• What types of chemicals are on the Proposition 65 list?

The list contains a wide range of naturally occurring and synthetic chemicals that include additives or ingredients in pesticides, common household products, food, drugs, dyes, or solvents. Listed chemicals may also be used in manufacturing and construction, or they may be byproducts of chemical processes, such as motor vehicle exhaust.

• What does a warning mean?

If a warning is placed on a product label or posted or distributed at a workplace, a business, or in rental housing, the business issuing the warning is aware or believes that it is exposing individuals to one or more listed chemicals.

By law, a warning must be given for listed chemicals unless the exposure is low enough to pose no significant risk of cancer or is significantly below levels observed to cause birth defects or other reproductive harm.

• Where can I get more information on Proposition 65?

If you have specific questions on the administration or implementation of Proposition 65, you can contact OEHHA's Proposition 65 program at P65.Questions@oehha.ca.gov, or by phone at (916) 445-6900.