



WALL MOUNT RANGE HOOD

Use and Installation Manual

CVWSV30F-SS



IMPORTANT NOTICE:

Read and save these instructions.

Installer: Leave this guide with the homeowner.

Homeowner: Keep this guide for future reference.




Important Safety Notice

READ ALL INSTRUCTIONS BEFORE INSTALLING AND OPERATING THIS APPLIANCE

Your safety and the safety of others is very important. We have provided many important safety messages in this manual and on your appliance. Always read and obey all safety messages. All safety messages will tell you what the potential hazard is, tell you how to reduce the chance of injury, and tell you what can happen if the instructions are not followed.

WARNING


This is the safety alert symbol. This symbol alerts you to potential hazards that can hurt you and others. All safety messages will follow the safety alert symbol “” and the word “WARNING”.

 **WARNING**


Excessive Weight
Require three or more persons to move and install this range hood. Spinal or other bodily injuries could occur if it is not followed.


 **WARNING**

Severe Injury
Rotating fan can cause severe injury. Stay clear of fan when power is present.

 **WARNING**

Electrical Shock Hazard
Do not perform service on an electrically live system. Disconnect the main electrical supply before servicing this device. Touching electrical connectors or other exposed electrical circuitry inside this range hood when they are energized could result in death, serious bodily injury, or property damage.



 **WARNING** **Burn Hazard!**
Light bulb may become extremely hot when turned ON. DO NOT touch bulb until switched OFF and cooled. Touching hot bulbs could cause serious burns.

The manufacturer and/or distributor/reseller declines all responsibility in the event of failure to observe the instructions given here for installation, maintenance and suitable use of the product. The manufacturer and/or distributor/reseller further declines all responsibility for injury due to negligence and the warranty of the unit automatically expires due to improper maintenance. The manufacturer and/or distributor/reseller will not be held responsible for any damages to personal property or real estate or any bodily injuries whether caused directly or indirectly by the range hood.

- The installation in this manual is intended for qualified installers, service technicians or persons with similar qualified background. Installation and electrical wiring must be done by qualified professionals and in accordance with all applicable codes and standards, including fire-rated construction.
- **DO NOT** attempt to install this appliance yourself. Damage or Injury could result from installing the unit due to lack of appropriate electrical and technical background.
- Due to the size and weight of this range hood, at least two people are recommended for installation to reduce the risk of fire, electric shock, or injury to persons.
- Range hood may have very sharp edges; wear protective gloves if it is necessary to remove any parts for installing, cleaning or servicing.
- Ensure any nearby electrical service are OFF and stay OFF until the completion of installation to reduce the risk of electrical shock, short-circuit, electrical spark which may cause injury or damage. For general ventilating use only.
- **DO NOT** use to exhaust hazardous or explosive materials and vapors.
- In order to ensure the safe operation of fuel-burning heating equipment, it's air flow needs to be to be considered for proper combustion. Follow the heating equipment manufacturer's guideline and safety standards such as those published by the National Fire Protection Association (NFPA), and the American Society of Heating, Refrigeration and Air Conditioning Engineers (ASHRAE), and the local code authorities.
- To reduce the risk of fire and to disperse air properly make sure to vent air outside. Sufficient household air flow is required for the proper combustion of fuel-burning heating equipment, and the exhaustion of their gases.

Important Safety Notice

- Ducted fans **MUST** always be vented to the outdoors.
- **DO NOT** vent exhaust into spaces between walls, crawl spaces, ceiling, attics or garages.
- Any old duct work should be cleaned or replaced if necessary to avoid the possibility of a grease fire.
- Check all joints on duct work to insure proper connection and all joints should be properly taped.
- Use only metal ductwork and this unit **MUST** be grounded.
- Before servicing or cleaning unit, turn **OFF** circuit breaker or fuse at the service panel. Lock the service panel to prevent power from being switched **ON** accidentally.
- When cutting or drilling into wall or ceiling, be careful not to damage electrical wiring or other hidden utilities.
- All electrical wiring must be properly installed, insulated and grounded.
- Use this unit only in the manner intended by the manufacturer. If you have questions, contact the vendor.
- **DO NOT** touch the bottom side of the range hood directly after usage because it may be hot. Wait until it has cooled.
- Make sure to inspect shipment and it's contents as soon shipment is received.
- Plug in and test range hood and all its functions, (refer to Range Hood Operations, Page 14), directly after receiving shipment, and before scheduling an installer.

TO REDUCE THE RISK OF A STOVE TOP GREASE FIRE:

- Clean grease laden surfaces frequently.
- Clean the range hood frequently.
- Keep all surfaces clean from grease or oil build up.
- Grease should not be allowed to accumulate on fan, baffle, spaces, filter, any surfaces of the range hood or surrounding area.
- Always turn range hood **ON** when cooking at high heat or when cooking flaming foods. Use high settings on cooking range only when necessary.
- Never leave burners or cook top at high settings unattended. Boil overs cause smoking and greasy spillovers that may ignite. Heat oils slowly on low or medium settings.
- Always use appropriate cookware and utensils size.
- Always use cookware appropriate for the size of the surface element.

TO REDUCE THE RISK OF INJURY TO PERSONS IN THE EVENT OF A STOVE TOP GREASE FIRE:

- **SMOTHER FLAMES** with a close-fitting lid, cookie sheet, or metal tray, then turn **OFF** the burner. **BE CAREFUL TO PREVENT BURNS. NEVER PICK UP A FLAMING PAN—you may be burned.**
- **KEEP FLAMMABLE OR COMBUSTIBLE MATERIAL AWAY FROM FLAMES.** If the flames **DO NOT** go out immediately, **EVACUATE AND CALL THE FIRE DEPARTMENT** or dial your local emergency service immediately.
- **DO NOT USE WATER**, including wet dishcloths or towels — a violent steam explosion may result. Use an extinguisher **ONLY** if:
 - You know you have a Class A, B, C extinguisher, and you already know how to operate it.
 - The fire is small and contained in the area where it is started.
 - The fire department is being called.
 - You can fight the fire while maintaining a safe exit path.

TO REDUCE THE RISK OF INJURY TO PERSONS IN THE EVENT OF A GAS LEAKS:

- Extinguish any open flame.
- **DO NOT** turn on the range hood fan or any type of ventilator.
- **DO NOT** turn on the lights or any type of appliance.
- Open all doors and windows to disperse the gas. If you still smell gas, call the gas company and fire department, or dial your local emergency service immediately.

Table of Contents

INSTALLATION

Tools Needed.....	3
Parts Supplied.....	4
Venting Requirements.....	5
Height & Clearance.....	5-6
Duct Size Upgrade Calculator	6
Venting Methods.....	7
Electrical Requirements	8
Advanced Preparation	8-9
Installation Overview	10
Installation.....	10-13

USE AND CARE

Range Hood Operations	14
Troubleshooting	15
Use and Care Information	16
Electric Schematic	17

MAINTENANCE

Cleaning, Replacing Filter & Light Bulb.....	18-19
--	-------

WARRANTY

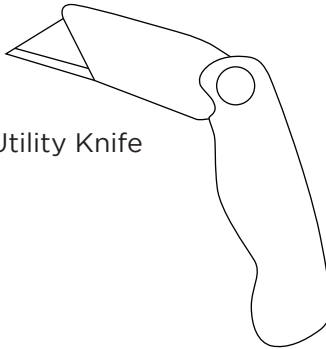
Coverage & Exclusions	20
Disclaimer.....	21

Tools Needed

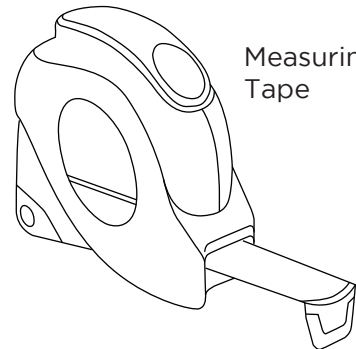
Marker
or Pencil



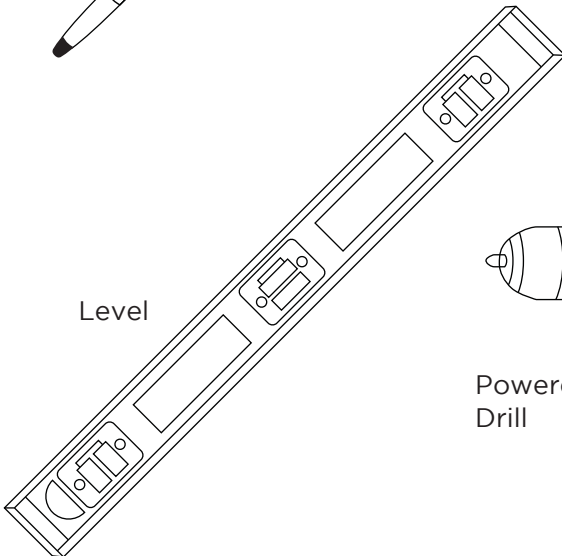
Utility Knife



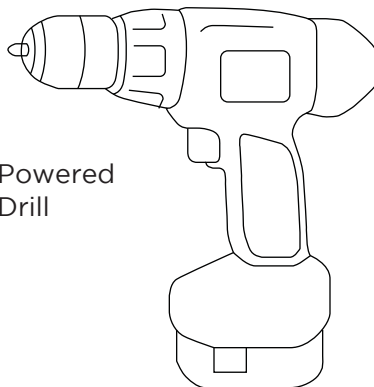
Measuring
Tape



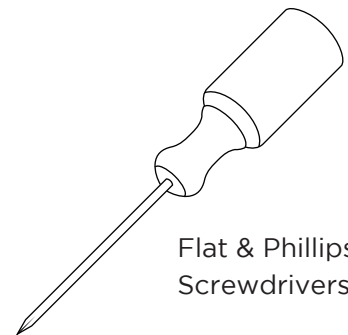
Level



Powered
Drill

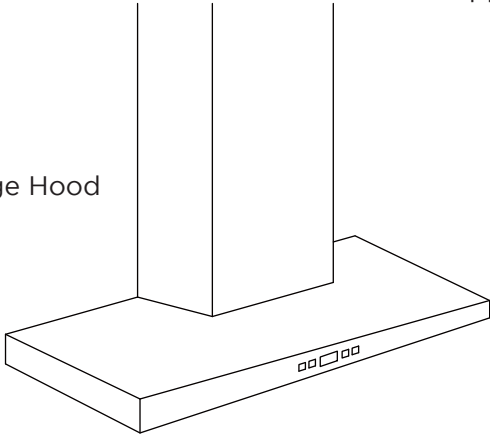


Flat & Phillips
Screwdrivers

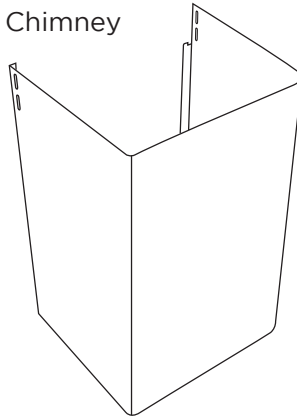


Parts Supplied

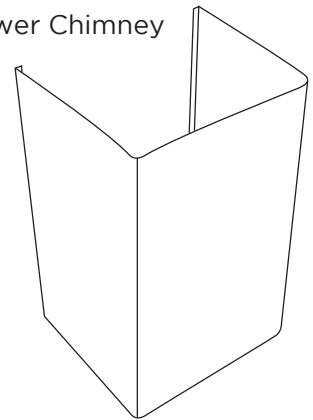
Range Hood



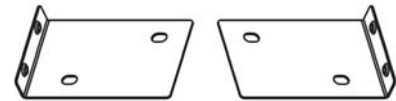
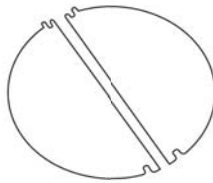
Upper Chimney



Lower Chimney

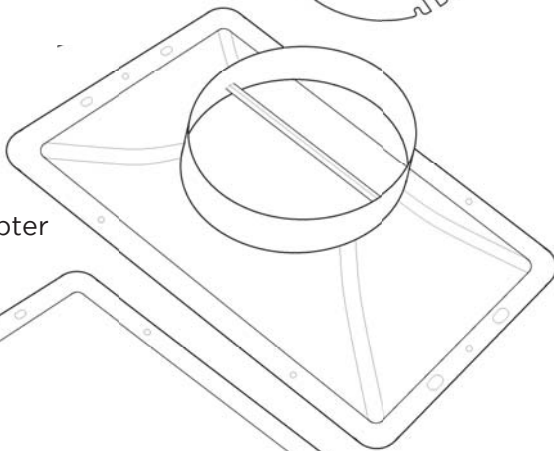


Draft Dampers

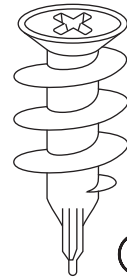
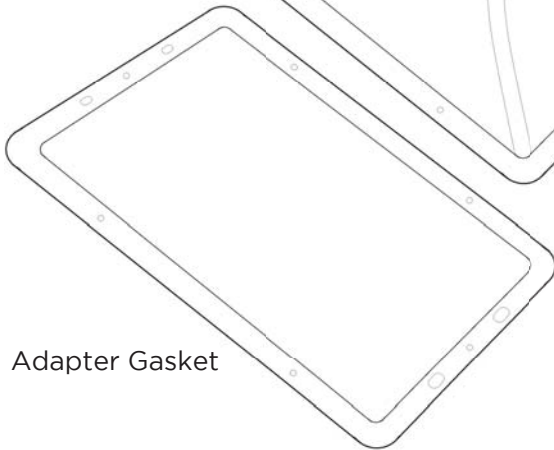


Upper Chimney
Mounting Bracket

Duct Adapter

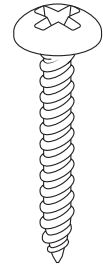


Adapter Gasket



A

Qty: 6 PCS
(For dry wall or
sheet rock only)



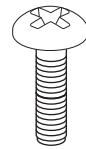
B

Qty: 6 PCS



C

Qty: 4 PCS



D

Qty: 6 PCS

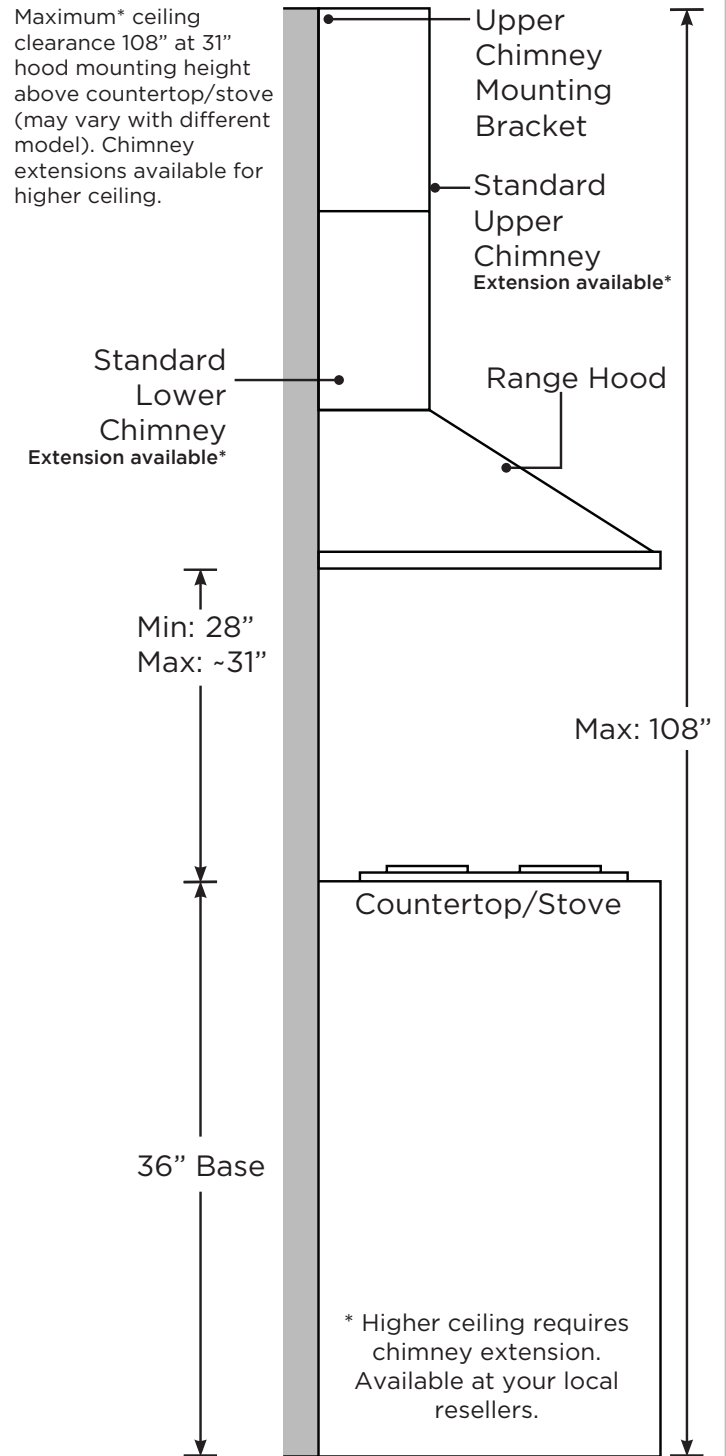
Venting Requirements

- Vent system must terminate to the outside (roof or side wall).
- DO NOT terminate the vent system in an attic or other enclosed area.
- DO NOT use 4" (10.2 cm) laundry-type wall caps.
- Use metal/aluminum ducting only. Rigid metal/aluminum ducting is recommended.
- Always keep the duct clean to ensure proper airflow.
- Calculate the following figures before installation:
 1. Distance from the floor to the ceiling. *(less than 108").
 2. Distance between the floor to the countertop/stove. (Recommend* 28" to about 36").
 3. Distance between the countertop/stove to the range hood. (Recommended 28" to ~31").
 4. Height of range hood body and chimney covers combined. (Extension available*)

For the most efficient & quiet operation:

- A distance of 28" to 31" is recommended between stove top and the bottom of range hood.
- 28" is the lowest recommended for safe operation; 31" is only recommended for efficient operation, but can be mounted higher.
- It is recommended that the range hood be vented vertically through the roof through 6" (15.24 cm) or larger round metal/aluminum vent work.
- The size of the vent should be uniform.
- Use no more than three 90° elbows.
- For best results, attempt to make a minimum of 24" (61 cm) of straight vent between the elbows if more than one elbow is used.
- DO NOT install two elbows together.
- The length of vent system and number of elbows should be kept to a minimum to provide efficient performance.
- The vent system must have a damper. If roof or wall cap already has a damper, DO NOT use the supplied damper (if applicable).

Height & Clearance



- Use aluminum foil tape or equivalent to seal all joints in the vent system.
- Use caulking to seal exterior wall or roof opening around the cap.

* Due to different ceiling height configurations, recommended height may not be applicable.

Height & Clearance

IMPORTANT:

- A minimum of 6" round (standard for this range hood) or 3 1/4" x 10" rectangular duct (not supplied) must be used to maintain maximum airflow efficiency.
- ALWAYS, when possible, reduce the number of transitions and turns. If long duct run is required, increase duct size to 7" or 8". If a reducer is used, install a long reducer instead of a pancake reducer. Any reductions of duct size will restrict and decrease airflow; to maximize airflow flow efficiency place any reducers furthest away from any bends or transitions.
- If turns or transitions are required, install them as evenly distanced as possible, and as far away from the range hood as possible.
- Please use the Duct Size Upgrade Calculator below to compute the total available duct run when using elbows, transitions and caps.
- It is important to install the hood at the proper mounting height. Hoods mounted too low are considered unsafe and could result in heat damage and fire hazard; while hoods mounted too high are harder to reach and will lose general effectiveness.
- Minimum mount height between stove top to hood bottom should be no less than 28". Any less is considered unsafe and not recommended.
- Maximum mount height between stove top to hood bottom can be higher than 31 inch*, but it is not recommended due to the loss in efficiency. (Extension available*)
- If available, refer to your stove top manufacturer's height clearance requirements and recommended hood mounting height above range.

** Due to different ceiling height configurations, recommended height may not be applicable.*

Minimum Duct Size:

- Round - 6" minimum
- Rectangular - 3 1/4" x 10" minimum (requires a 6" to 3 1/4" x 10" adaptor, not supplied)

Duct Size Upgrade Calculator

- Minimum duct size recommended is 6" round (or 3 1/4" x 10" rectangular). Maximum duct length recommend is 50 ft. Any duct length over 50 ft is recommended to use a larger diameter duct size.
- Survey the installation application and record the estimated length of ducting required or used for that application. Record the number of bends, angle of bends, and/or any transitional pieces used. Each bend or transition will reduce air flow and reduce the recommended duct length.

Duct Deductions:	
Each 90° bend	9 ft
Each 45° bend	5 ft
Each 6" to 3 1/4" x 10" transition	7 ft
Side wall cap with damper	1 ft
Roof Cap (with factory Damper)	1 ft

Duct Deduction Calculation Example:

(1) 90° bend, (1) 3 1/4" x 10" transition, (2) 45° bends, (1) sidewall cap with damper (with factory damper not installed)
 $-9ft + -7ft + -5ft + -5ft + -1ft = -27ft$

Deduct 27 ft from 50 ft, giving you 23 ft of available straight ducting before it is recommended to upgrade your ducting size.

Venting Methods

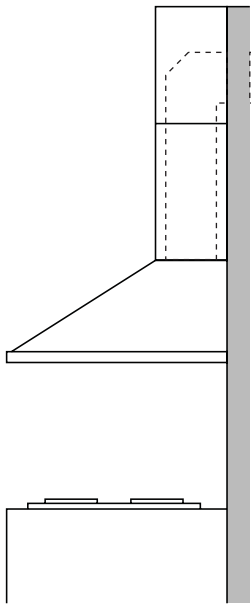
- This range hood is factory set for venting through the roof or wall.
- Vent work can terminate either through the roof or wall. To vent through a wall, a 90° elbow is needed.

IMPORTANT:

- NEVER exhaust air or terminate duct work into spaces between walls, crawl spaces, ceiling, attics or garages. All exhaust must be ducted to the outside.
- Use metal/aluminum duct work only.
- Fasten all connections with sheet metal screws and tape all joints with aluminum foil tape or equivalent.
- Use caulking to seal exterior wall or roof opening around the cap.

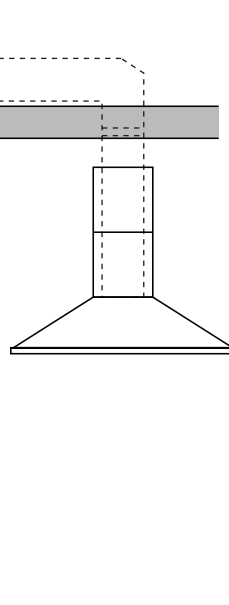
Horizontal Wall Venting

Option 1:



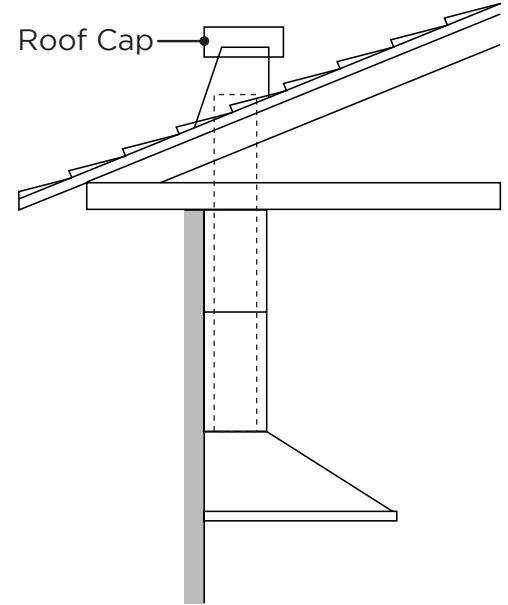
Side Wall Cap

Option 2:



Vertical Roof Venting

Roof Cap



Electrical Requirements

IMPORTANT: Observe all governing ordinances and local codes.
(Please consult with a qualified electrician for any electrical wiring)

It is the customer's responsibility:

- To contact a qualified electrical installer.
- To assure that the electrical installation is adequate and in conformance with National Electrical Code, ANSI/NFPA 70 – latest edition*, or CSA Standards C22. 1-94, Canadian Electrical Code, Part 1 and C22. 2 No. 0-M91 - latest edition** It is your responsibility to be aware of and adhere to all building, fire, electrical, safety, and any other applicable codes with regards to the installation and use of this range hood.
- Provide a circuit protected power service; preferably a Ground Fault Circuit Interrupter ("G.F.C.I."): 120-volt, 60 Hz, AC, with at least 5-amps of available service.
- Enlist a qualified electrician to ensure the range hood and electrical lines are adequately grounded and properly protected. **NEVER** electrically ground to a gas pipe.
- **IMPORTANT:** Save this Installation Guide for future reference and/or electrical inspector use.
- The range hood should be connected with a circuit breaker protected power service.
- Wire sizes (copper wire only) and connections must conform with the rating of the appliance as specified on the model/serial rating label. Wire sizes must conform to the requirements of the National Electrical Code and any and all local codes and ordinances. A U.L. - or C.S.A. - listed conduit connector must be provided at each end of the power supply cable (at the range hood and at the junction box).

Advanced Preparation

Advanced Preparations:

1. Familiarize yourself with the controls of the range hood by reading through *Range Hood Operations*, Page 14.
2. Place the range hood on a flat, stable surface. Connect the range hood to a designated standard outlet (please refer the product label for the suitable voltage of this unit) and turn on the range hood. Verify all operations of the range by referring to *Range Hood Operations*, Page 14.
3. Place all supplied parts and required hardware on a flat, stable surface and verify the presence of all supplied parts listed on Page 4.
4. Carefully remove the white plastic protective coat from the chimney covers and range hood.



WARNING

Excessive Weight
Require three or more persons to move and install this range hood. Spinal or other bodily injuries could occur if it is not followed.

Preparation

NOTE: To avoid damage to your hood, prevent debris from entering the vent opening.

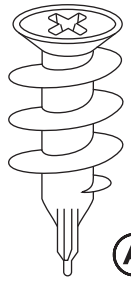
1. Determine and mark the center line on the wall where the range hood will be installed. Make sure there is proper clearance within the ceiling or wall for exhaust vent.
2. Due to the weight and size of this unit, please make sure that the support system or framework being used is stable and secure in the wall or ceiling.
3. Put a thick, protective covering over counter top, cook top or range to protect from damage or dirt. Remove any hazardous objects around the area when installing.
4. Mark the locations of the support mounting bracket holes, ducting cutout (if used) and power supply cable cutout on the wall or ceiling behind the chimney covers. Use drill and saber saw or keyhole saw to cut opening for power supply cable and ducting (see *Venting Requirement and Electrical Requirements*, pages 5-8).
5. If venting to the outside install vent system (see *Venting Methods*, page 7). Use caulking to seal the exterior wall or roof openings.
6. Disconnect main electrical supply, prepare and run electrical wiring through ceiling or wall. Install a power outlet within reaching distance of the range hood assembly. DO NOT restore power until installation is completed.
7. Disconnect the power cord and remove the stainless steel baffle filters
8. Set aside the stainless steel baffle filters until the range hood is installed.
9. Assemble the duct adapter onto the range hood body. Place the duct adapter gasket into the hollow perimeter of the rectangular side of the duct adapter; place the rectangular side of the duct adapter over the range hood duct, aligning screw holes; fasten the duct adapter onto the range hood body using the supplied hardware: "D" screws.



WARNING

Severe Injury
Rotating fan can cause severe injury. Stay clear of fan when power is present.

Installation Overview



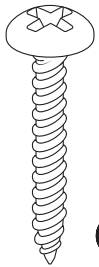
A

Qty: 6 PCS
(For dry wall or sheet rock only)



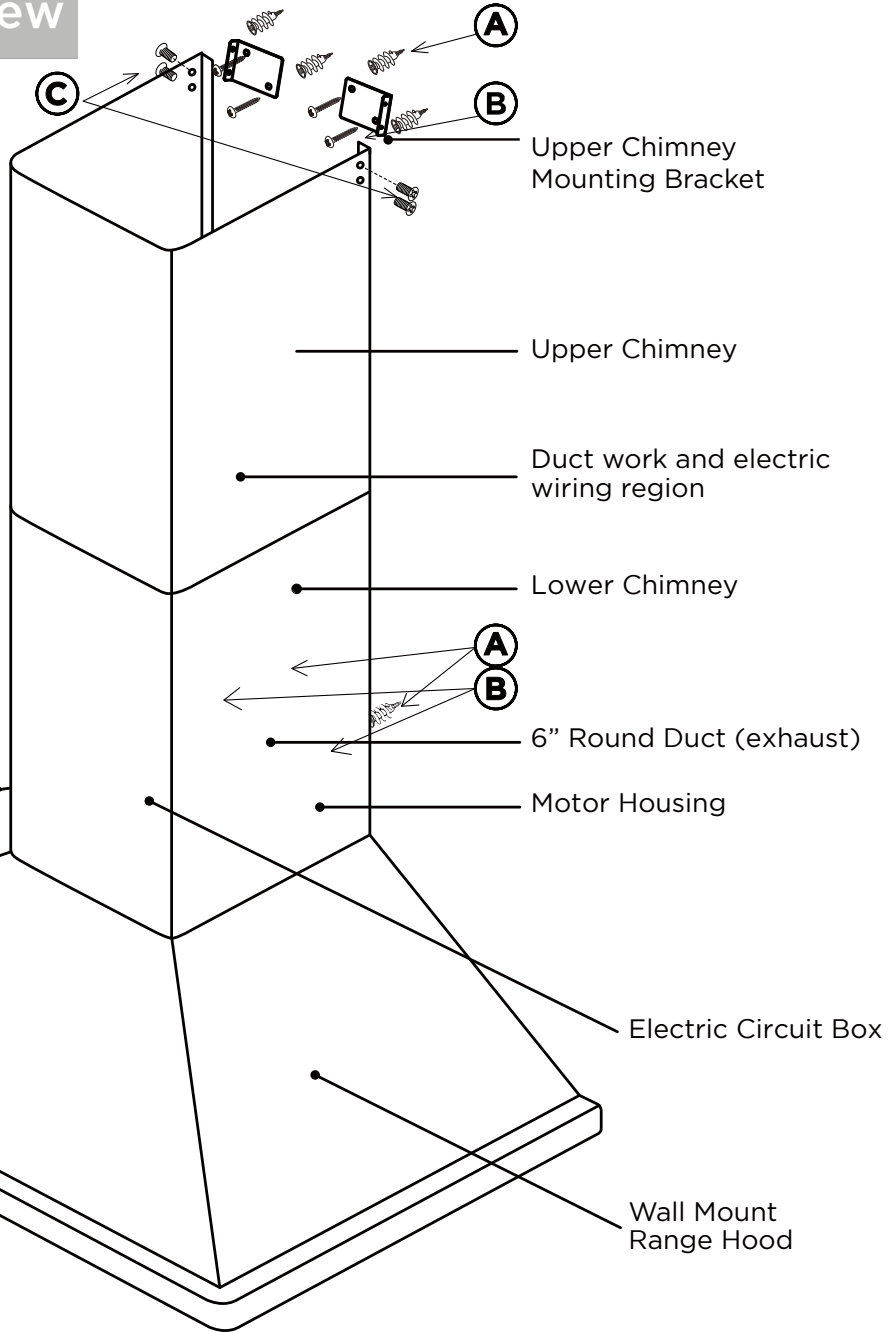
C

Qty: 4 PCS



B

Qty: 6 PCS



Note: Type "A" anchors are designed for for dry wall or sheet rock. Not to be used with any other types of walls.

Installation

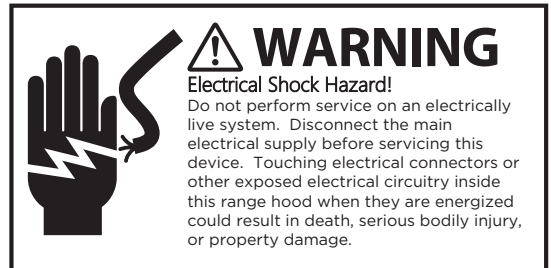
1. Confirm where you want your range hood installed:

Confirm your centerline and side measurements of each piece of hardware. Measure the distance between stove top and the bottom of range hood and confirm a *recommended distance of 28" to 31".

**Due to different ceiling height configurations, recommended height may not be applicable. Use removable tape, pencil or erasable marker to mark your ideal installation.*

2. Mark the mounting locations for the range hood body:

Make sure the range hood is level, not tilted, and not colliding against other objects.



Installation (Continued)

Mark the locations of the keyhole shaped hanging bracket holes onto the wall as shown in Figure 3A and Figure 3B.

3. Mark the mounting locations for the upper chimney mounting bracket:

Inspect how this bracket installs into the upper chimney cover, use that as reference to where you want your upper chimney installed and where the bracket should be installed onto your wall.

Place the mounting bracket squarely above the range hood, level it and mark the locations of the mounting bracket holes on the wall.

4. Predrill holes for mounting hardware:

Safely place aside all equipment and review all marked regions and drill holes. Review fastening hardware to be used. Recommended for your type of wall:

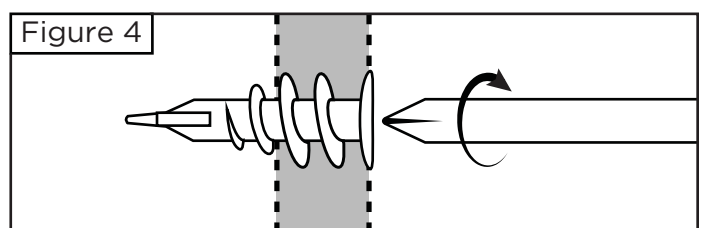
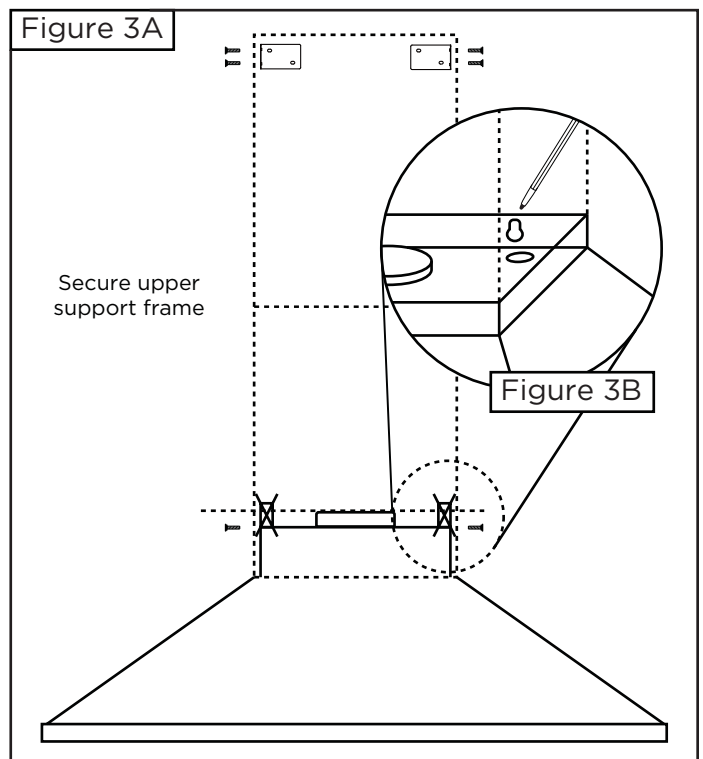
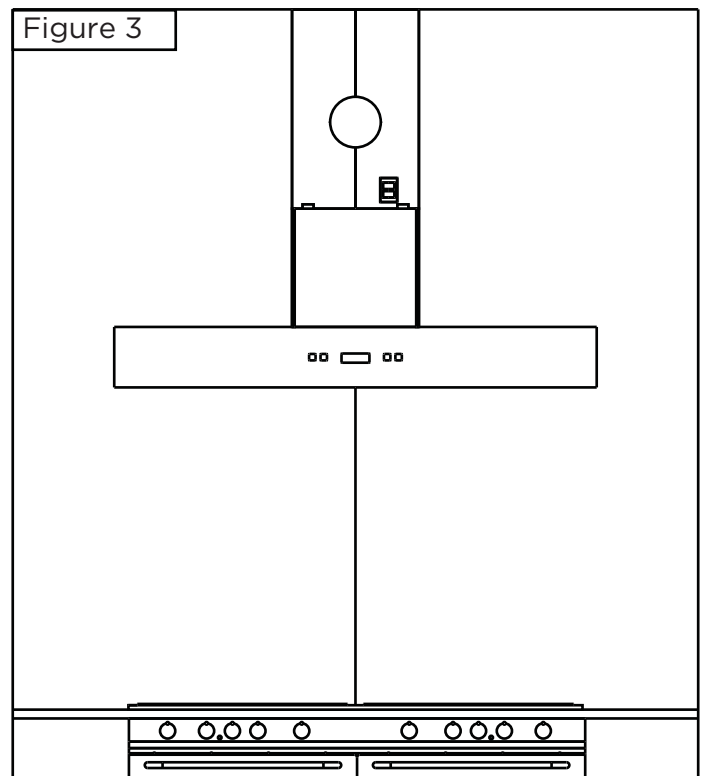
- **Sheet rock, drywall or wood walls** where the structural studs or solid structural support **are accessible**: screw directly into the structural studs or structural support, with hardware that meets or exceeds the factory hardware, with at least 1" of thread engagement.

- **Sheet rock, drywall or wood walls** where the structural studs or solid structural support are **not accessible**: Affixing the range hood to into structural studs is highly recommended. If stud blockings are not available, it is recommended to build a support structure behind the sheet rock for the best weight support. If wall anchors are used, ensure their hanging capacity exceeds the weight of the range hood, hardware, and estimated usage load.

- **Concrete wall**: Use designated concrete screws and/or anchors (not provided) that meet or exceed the factory hardware specifications. Ensure proper load ratings. Follow instructions of concrete screw manufacturer.

5. Install the range hood body (if using factory hardware):

Fasten (2) two Type "A" anchors flush into the wall as shown in Figure 4, over your previously marked locations for mounting the range hood body. Loosely fasten (2) two Type "B" screws into the

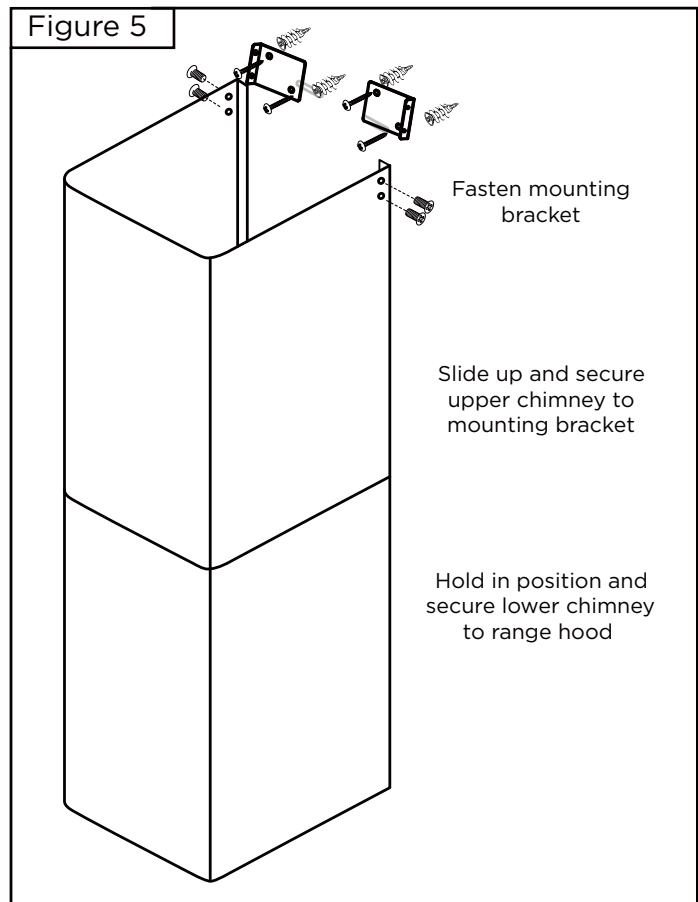
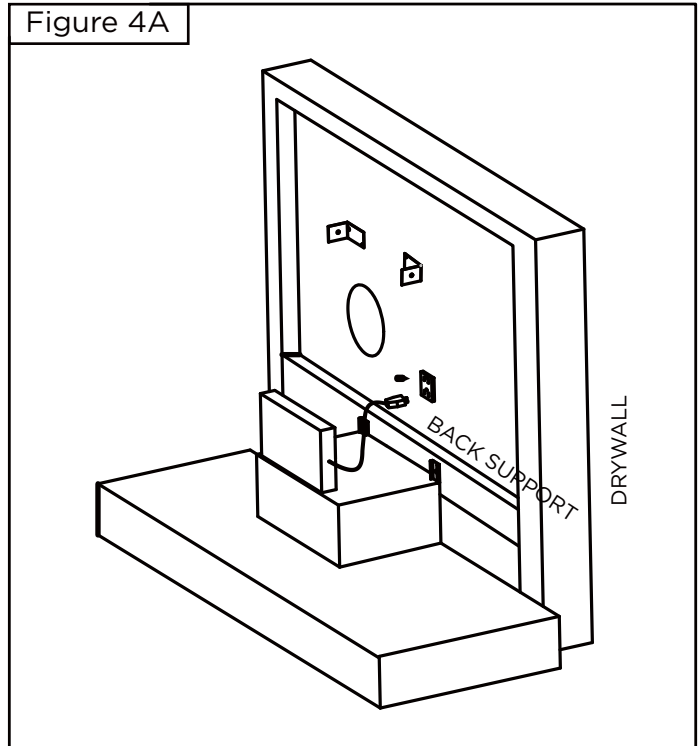


Installation (Continued)

anchors - DO NOT fasten screws all the way down; leave approximately 3/32" of gap from the wall to the screw head. Hang the range hood body onto the Type "B" screws. Ensure the range hood is level and then fasten the screws completely.

Note: for wall mounted range hoods (not island mounted), the rear panel of the range hood body (against the installation wall) is plain sheet metal and can be drilled and screwed into the wall for additional stabilization. DO NOT drill into or screw through any wires, any wire harnesses, or any critical fixtures.

6. **Install the upper chimney mounting bracket** (if using factory hardware): Reference steps "4" & "5" to complete this step "6", at the locations previously marked in step "3".
7. **Install the flexible duct tube:** First install the flexible duct tube onto your household ducting and then extend the ducting downward, allowing about 6 inches of extra ducting; cut off excess ducting. Install the ducting onto the range hood (body) duct adapter. Use certified ducting tape or fastening devices.
8. **Install power plug:** Plug in the power cord into your power socket. DO NOT turn on main power supply until installation is complete; or if a function test is desired (should be done before starting installation); clear workspace; ensure workspace is safe, and then temporarily supply power to unit and then test functions. Please ensure to completely SHUT OFF POWER SUPPLY after testing and before continuing installation.



Installation (Continued)

9. Install the upper chimney cover:

Having the installation hardware readily available, align the upper chimney cover with the pre-installed (upper chimney) mounting bracket and then screw the hardware through the chimney into the mounting bracket. Remove any finish protection wrapping.

To avoid any scratching, install one chimney piece at a time, starting with the upper chimney. Ensure the chimney pieces are fully fastened before moving onto any other step.

10. Install the lower chimney cover:

Confirm the orientation of the lower chimney cover; pull, stretch or flex the rear opening of the chimney so it is temporarily larger than the upper chimney cover, carefully install or wrap the lower chimney over the upper chimney cover and range hood body. Screw in the mounting hardware through the lower chimney cover into the range hood body. Remove any finish protection wrapping.

11. Install remaining accessories and operation check:

Install stainless steel baffle filters then check the operation of the range hood. Remove any other finish protection wrapping. Use stainless steel cleaner to remove any finger prints or marks.

Figure 6

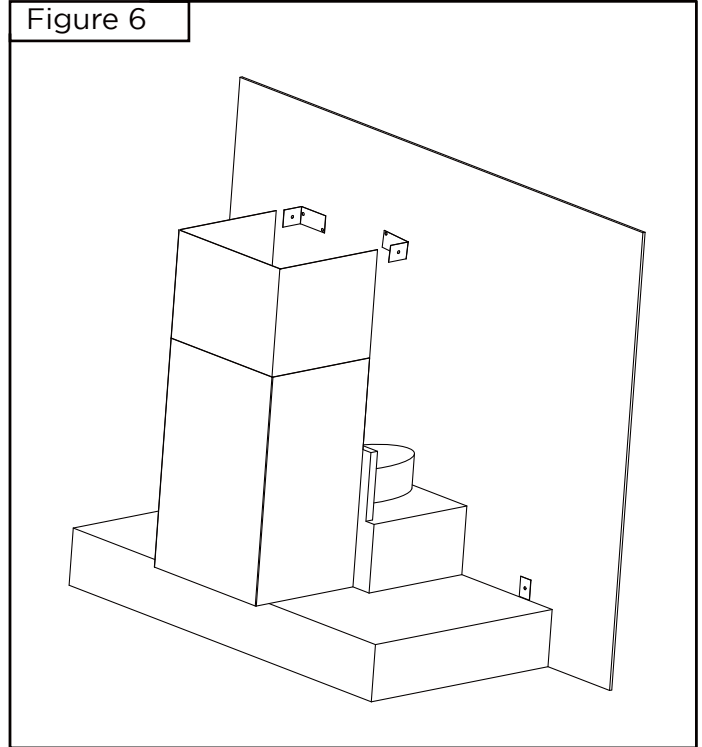
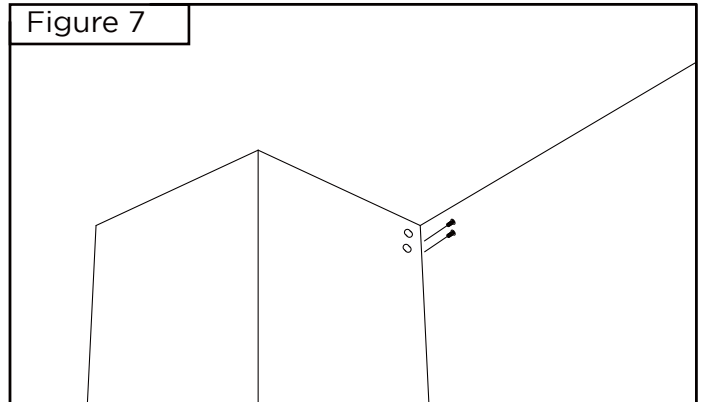
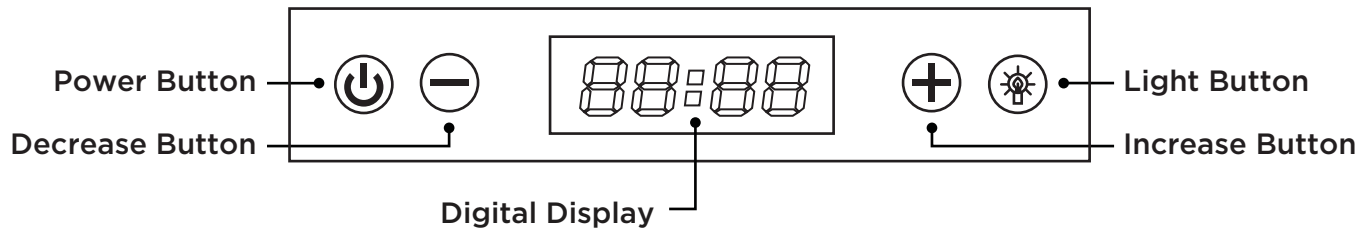


Figure 7





Range Hood Operations

Control Panel, Display and Functions:




General Note: For the best results, turn on the vent prior to any cooking and keep vent running while cooking. Adjust the vent power as needed.



Power ON / OFF

Press the  Power Button to turn ON the range hood. To turn it OFF, press the  Power Button again, and the system will automatically delay the shutoff for 3-minutes, displaying a countdown timer. If you want the vent to turn off immediately, press the Power Button again.

Three-Minute Power Off Delay

While the vent is on, press the  Power Button once to enter the Delayed Shutoff Mode. The **Power button** will then flash and the vent function will turn off after 3-minutes. To cancel the Delayed Shutoff Mode, press the Power Button again and the vent will shut off immediately. When the Delayed Shutoff Mode is entered, changing the vent speed level will not affect the countdown.

Speed Control

While the vent is on, press the  Increase Button to increase the speed level. Press the  Decrease Button to decrease the vent speed level. The highest speed setting is indicated by an "F3", and the lowest by "F1".

Light Control

Press the  Light Button to turn the lights ON; press it again to turn the lights OFF.

Troubleshooting

If the range hood or light does not operate after installation:

- Check if the range hood has been plugged in, make sure that all power has been turned back ON, and all electrical wiring are properly connected.
- Swap out light bulb to working ones to determine whether it is caused by defective bulbs. See Replacing the light bulbs on Page 19.

The range hood vibrates when the suction is on:

- The range hood might not have been secured properly on to the ceiling or wall. Check with your installer

The suction or fan seems weak:

- Check that the duct sized used is at least 6" or 3 ¼" x 10". Range hood WILL NOT function efficiently with insufficient duct size. For example: 7" duct over 6" hole and loosely secured.
- Check if duct is clogged or if damper unit (half-circular flapper) is not installed correctly or opening properly. A tight mesh on a side wall cap unit might also cause restriction to the air flow.

The lights work but the suction is not spinning, is stuck or is rattling.

- The blower might be jammed or scraping the bottom due to shipping damage. Please contact us immediately.

The hood is not venting out properly:

- Make sure the distance between the stove top and the bottom of the hood is within 28" and 31" in distance. *Due to different ceiling height configurations, recommended height may not be applicable.
- Reduce the number of elbows and length of duct work. Check if all joints are properly connected, sealed, and taped.
- Make sure the power is on high speed for heavy cooking.

Purpose of the slots/holes/openings near the top of the upper chimney:

- These slots/holes/openings are used to exhaust filtered air.

Note: For all other inquiries, please contact us at: 1-844-455-3474 ext. 2 or service@caloricappliances.ca

Use and Care Information

Operations:

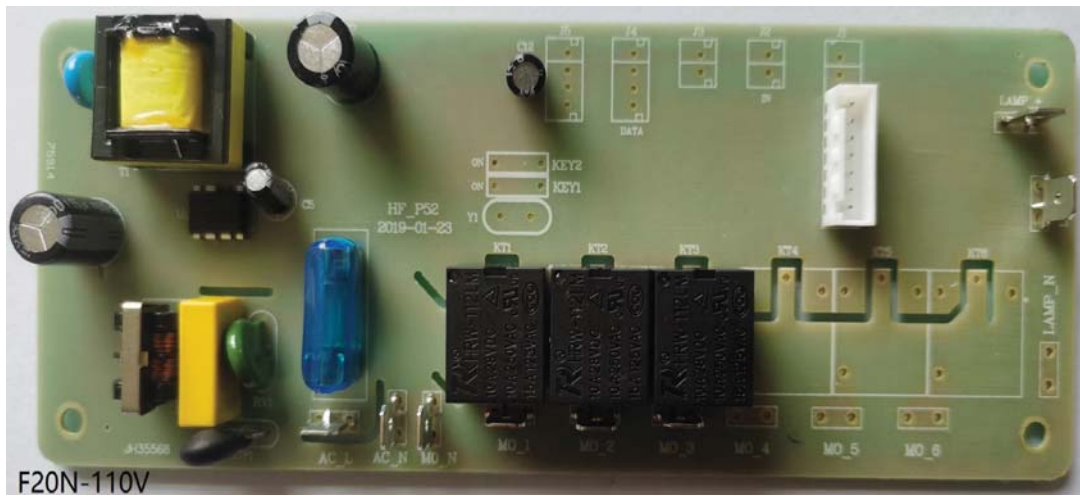
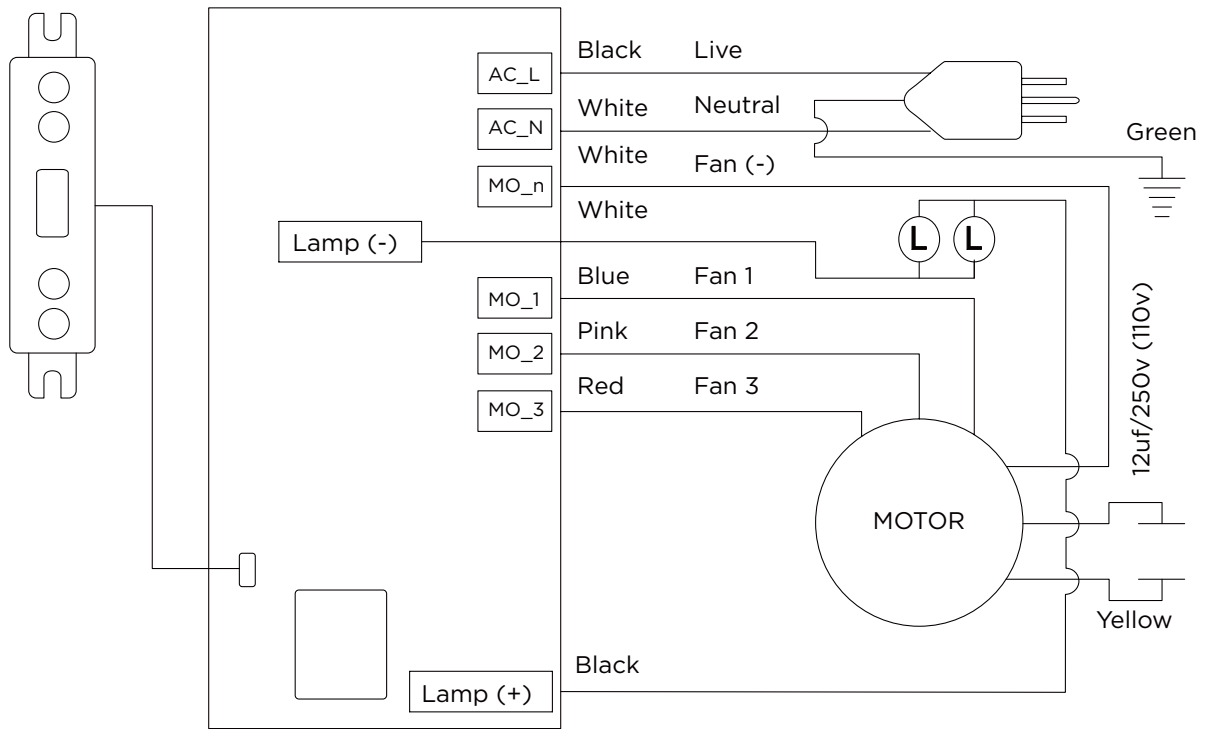
- Read and understand all instructions and warnings in this manual before operating the appliance. Save these instructions for future reference.
- Always leave safety grills and filters in place. Without these components, operating blowers could catch on to hair, fingers and loose clothing.
- NEVER dispose cigarette ashes, ignitable substances, or any foreign objects into blowers.
- NEVER leave cooking unattended. When frying, oil in the pan can easily overheat and catch fire. The risk of self combustion is higher when the oil has been used several times.
- NEVER cook using “open” flames under the range hood. Check deep-fryers during use: Superheated oil may be flammable.

Cleaning:

- The saturation of greasy residue in the blower and filters may cause increased inflammability. Keep unit clean and free of grease and residue build-up at all times to prevent possible fires.
- Filters must be cleaned periodically and free from accumulation of cooking residue (see Cleaning Instructions on Page 18). Old and worn filters must be replaced immediately.
- DO NOT operate blowers when filters are removed. Never disassemble parts to clean without proper instructions. Disassembly is recommended to be performed by qualified personnel only. Read and understand all instructions and warnings in this manual before proceeding.

** Subject to change without notice*

Electric Schematic



* Subject to change without notice.

Maintenance

SAFETY WARNING: Never put your hand into area housing the fan while the fan is operating!

For optimal operation, clean range hood and all baffle/spacer/filter regularly. Regular care will help preserve the appearance of the range hood.

Cleaning Exterior Surfaces:

- Clean periodically with hot soapy water and clean cotton cloth. DO NOT use corrosive or abrasive detergent (e.g. Comet Power Scrub®, EZ-Off® oven cleaner), or steel wool/scoring pads, which will scratch and damage the stainless steel surface. For heavier soil use liquid degrease such as “Formula 409®” or “Fantastic®” brand cleaner.
- If the finish looks splotchy (stainless steel hood), use a stainless steel cleaner to clean the surface of the hood. Use a dry soft towel to dry the hood. **CAUTION: Do not leave the cleaning solution on the surface too long as this may damage the finish.** Avoid getting cleaning solutions into or onto the control panel, electrical components, wires or wired plugs.
- Always wipe/clean/polish in the same direction as the brushed stainless steel finish. Never wipe against the grain.
- After cleaning, you may use non abrasive stainless steel polish such as 3M® or ZEP®, to polish and buff out the stainless luster and grain. Always scrub lightly, with clean cotton cloth, and with the grain.
- DO NOT allow deposits to accumulate or remain on the hood, as they will become harder to clean, and may cause scratching of the finish.
- DO NOT use ordinary steel wool or steel brushes. Small bits of steel may adhere to the surface and cause rusting.
- DO NOT allow salt solutions, disinfectants, bleaches, or cleaning compounds to remain in contact with stainless steel for extended periods. Many compounds contain chemicals, which may be damaging. Rinse with water after exposure and wipe dry with a clean cloth.

Cleaning Stainless Steel Baffle Filters:

IMPORTANT:

- The metal filters are intended to help filter grease, residue and moisture from cooking. They are required to be kept clean for performance and safety concerns, and may require replacement if neglected.
- Filters should be cleaned after every 30 hours of use or sooner depending on usage conditions.
- Remove and clean by hand or dishwasher. NOTE: Some newer dish detergents may cause marking or blackening of aluminum metals, such as the mesh aluminum filters. Spray “Formula 409®” or equivalent degreasing detergent and allow to soak if heavily soiled. Rinse with warm water, allow the filters to dry and then and re-install before using hood.

Replacing Filters:

- Should filters wear out due to age and prolonged use, please contact Caloric™ for replacement filters. Consider preemptively purchasing an extra set of filters to store on hand.
- Note: Replace damaged filters that have been punctured, bent or broken.



WARNING Burn Hazard!

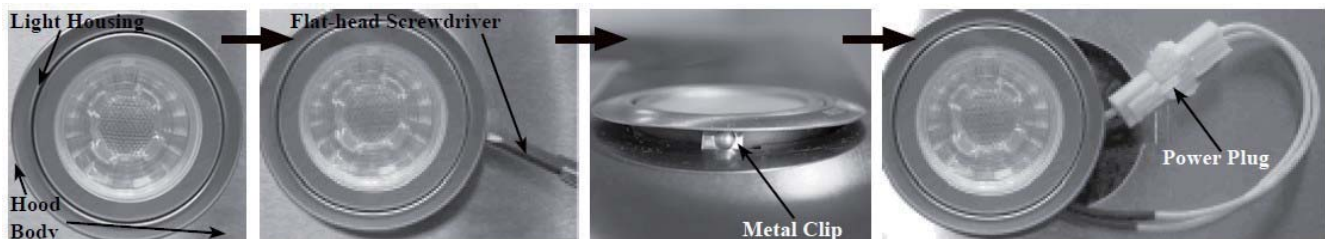
Light bulb become extremely hot when turned on. DO NOT touch bulb until switched off and cooled. Touching hot bulbs could cause serious burns.

Replacing The Light Bulb:

- Check the range hood tag for lamp specifications. Halogen bulbs will not work on "LED" models (they will lightly pulse or flash).
- Before performing any task outside of basic operation, turn off the power supply and/or unplug the unit.
- Before attempting to handle the light bulbs, ensure the bulbs are cool to the touch, including any adjacent working surfaces.

Replacing LED Light Fixture:

- This range hood uses LED light fixture: 3W Max 12V LED.
- Make sure the range hood is unplugged or turn OFF breaker and the lights are cool to touch.
- Place a flat-head screwdriver between light housing and hood body, gently pry up the light housing and search for the metal clip. (Recommended: use multiple layers of tape over the screwdriver head to prevent any scratching of the finish)
- Apply force to the metal clip and pull out the light fixture. Disconnect the power cable and discard the old light fixture.
- Reverse the steps to install a new halogen light fixture. Turn ON breaker and range hood to test for operation.



Service Warranty

LIMITED WARRANTY

This warranty applies only to the original purchaser and may not be transferred. This warranty is applicable within Canada only, to hoods installed for normal, non-commercial use in PRIVATE SINGLE-FAMILY HOUSEHOLDS.

Caloric™ warrants this product to be free from defects in material or workmanship for a period of ONE YEAR from the date of original purchase. During the warranty period, Caloric™ will, at its option, repair or replace, without charges, any product or part which is found to be defective under normal use and service. This warranty covers parts and labour from a Caloric™ authorized company, up to a maximum of one (1) hour. Proof of payment to the service company is required.

THERE ARE NO OTHER WARRANTIES, EXPRESS OR IMPLIED, INCLUDING BUT NOT LIMITED TO, IMPLIED WARRANTIES OR MERCHANT ABILITY OR FITNESS FOR A PARTICULAR PURPOSE.

Proof of purchase/original invoice and serial number is required for warranty claims. Keep a photocopy easily accessible.

This warranty will be void if the serial plate has been removed or disfigured.

EXCLUSIONS – This Caloric™ warranty does not cover: • Aluminum or SS baffle filters, lights or glass canopies, blower wheel damage • Regular maintenance and service (except by an authorized Caloric™ repair center) • Damage resulting from accident, alteration, misuse, abuse, fire, flood, acts of God, improper installation, installation not in accordance with electrical codes, or use of consumables or cleaning products not approved by Caloric™ • Repair of an appliance used in other than a normal, single-family household, or in a manner that is contrary to the operation or installation instructions.

• Cosmetics damage or freight damage caused by a 3rd party freight company. • Service to product that is not easily accessible due to unusual, exceptional, or difficult installation • Service calls to instruct how to use the appliance • Expenses for travel and transportation if your appliance is in a remote area where service by an authorized Caloric™ servicer is not available.

The cost of repair or replacement under these exclusions shall be borne by the customer and agreed to before a servicer is dispatched.

Caloric™ SHALL NOT BE LIABLE FOR INCIDENTAL, CONSEQUENTIAL OR SPECIAL DAMAGES ARISING OUT OF OR IN CONNECTION WITH PRODUCT USE OR PERFORMANCE.

**For a Caloric™ authorized repair center please contact us at:
1-844-455-3474 ext. 2 or service@caloricappliances.ca**

We do the utmost to ensure that the provided information is complete and accurate, however, images and specifications are subject to change without notice. Visit our website at www.caloricappliances.ca for the latest version of this manual.



In Canada CALORIC™ is a registered trademark of J.A.K. North America Inc.

The information in this document is subject to change without notice, please contact your local reseller for updated details.

Disclaimer

Carefully inspect all items for damages before accepting delivery. Note and photograph any damages to the external box, contents or item to the carrier and written on the freight bill or delivery receipt. Request name and signature of the carrier's agent and keep copy to support your claim. Upon acceptance of items, owner assumes responsibility for its safe arrival. Report damages to the carrier and file a claim immediately. Failure to do so may result in the denial of your claim. The carrier will furnish you with necessary forms for filing a claim.

Please inspect contents of package(s) carefully upon receiving! Damages caused during transit are not covered under our warranty. Please contact your reseller for additional help with filing the shipping damage.

Be sure to inspect the hood for damage and defects, and also function test the hood before installation. Appearance flaws of the hood found after installation and not affecting hood performance is not covered under our warranty for returns or exchanges. Service visits not covered under warranty.

If you need replacement parts, we recommend that you only use genuine parts. Our accessories and parts are engineered and designed specifically for this series of range hood, each is rigorously tested assuring the utmost in durability and reliability, providing a factory match, factory-installed appearance and functionality tailored to each individual range hood model.

The information in this document is subject to change without notice, please contact your local Caloric™ for updated details.



We do the utmost to ensure that the provided information is complete and accurate, however, images and specifications are subject to change without notice. Visit our website at www.caloricappliances.ca for the latest versions of this manual.

**For a Caloric™ authorized repair center please contact us at:
1-844-455-3474 ext. 2 or service@caloricappliances.ca**

In Canada Caloric™ is a registered trademark of J.A.K North America Inc.

CVWSV30F-SS Rev.001 051022



HOTTE DE VENTILATION MURALE

Guide d'installation et d'utilisation

CVWSV30F-SS



IMPORTANT :

Lire et conserver ces instructions.

Installateur : Laissez ce manuel au propriétaire.

Propriétaire : Conservez ce guide pour référence ultérieure.




Importantes mesures de sécurité


LIRE TOUTES LES INSTRUCTIONS AVANT D'INSTALLER OU D'UTILISER L'APPAREIL


Votre sécurité et celle des autres sont très importantes. Nous vous avons fourni de nombreux avis de sécurité importants dans ce manuel et sur votre appareil. Lisez et respectez toujours tous les avis de sécurité. Tous les avis de sécurité vous indiquent la nature du danger potentiel, la manière de réduire le risque de blessure et ce qui peut arriver si les instructions ne sont pas suivies.

AVERTISSEMENT

Ceci est le symbole d'alerte de sécurité. Ce symbole vous avertit des dangers potentiels qui peuvent vous blesser ou blesser d'autres personnes. Tous les messages de sécurité sont accompagnés du symbole d'alerte de sécurité "" et du mot " AVERTISSEMENT "

**AVERTISSEMENT**
Poids excessif
Il faut trois personnes ou plus pour déplacer et installer cette hotte. Des blessures à la colonne vertébrale ou autres blessures corporelles pourraient survenir si cette consigne n'est pas respectée.

**AVERTISSEMENT**
Blessures graves
La rotation du ventilateur peut provoquer des blessures graves. Restez à l'écart du ventilateur lorsque l'appareil est sous tension.

**AVERTISSEMENT**
Risque d'électrocution !
N'effectuez pas d'entretien sur un système sous tension. Débranchez l'alimentation électrique principale avant de procéder à l'entretien de cet appareil. Le fait de toucher des connecteurs électriques ou d'autres circuits électriques exposés à l'intérieur de cette hotte lorsqu'ils sont sous tension peut entraîner la mort, des blessures corporelles graves ou des dommages matériels.

**AVERTISSEMENT**
Risque de brûlure !
L'ampoule devient extrêmement chaude lorsqu'elle est allumée. NE PAS toucher l'ampoule avant qu'elle ne soit éteinte et refroidie. Toucher des ampoules chaudes peut provoquer des brûlures graves.

Le fabricant et/ou le distributeur/revendeur décline toute responsabilité en cas de non-respect des instructions fournies pour l'installation, l'entretien et l'utilisation appropriée du produit. Le fabricant et/ou le distributeur/revendeur déclinent également toute responsabilité en cas de blessures dues à une négligence et la garantie de l'appareil expire automatiquement en cas de mauvais entretien. Le fabricant et/ou le distributeur/revendeur ne seront pas tenus responsables de tout dommage à la propriété personnelle ou immobilière ou de toute blessure corporelle causée directement ou indirectement par la hotte.

- L'installation décrite dans ce manuel est destinée aux installateurs qualifiés, aux techniciens de maintenance ou aux personnes ayant une formation similaire. L'installation et le câblage électrique doivent être effectués par des professionnels qualifiés et conformément à tous les codes et normes applicables, y compris la construction à indice de résistance au feu.
- NE PAS essayer d'installer cet appareil vous-même. Des dommages ou des blessures pourraient résulter de l'installation de l'appareil en raison d'un manque de connaissances électriques et techniques appropriées.
- En raison de la taille et du poids de cette hotte, il est recommandé d'être au moins deux pour l'installation afin de réduire le risque d'incendie, de choc électrique ou de blessure.
- Cette hotte peut avoir des bords très tranchants; veuillez porter des gants de protection lors de l'installation, du nettoyage ou de l'entretien de l'appareil.
- Assurez-vous que tout branchement électrique à proximité soit éteint et le reste jusqu'à la fin de l'installation pour réduire le risque de choc électrique, de court-circuit, d'étincelle pouvant causer des blessures ou des dommages. Pour une utilisation générale de ventilation uniquement.
- NE PAS utiliser pour évacuer des matières et des vapeurs dangereuses ou explosives.
- Afin d'assurer un fonctionnement sûr de l'équipement à combustible, le débit d'air doit être pris en compte pour une bonne combustion. Suivez les directives du fabricant de l'équipement de chauffage et les normes de sécurité telles que celles publiées par la National Fire Protection Association (NFPA) et l'American Society of Heating, Refrigeration and Air Conditioning Engineers (ASHRAE), ainsi que les codes des autorités locales.
- Pour réduire le risque d'incendie et pour disperser l'air correctement, veuillez à évacuer l'air à l'extérieur. Une circulation d'air domestique suffisante est nécessaire à la bonne combustion des appareils de chauffage à combustible et à l'évacuation de leurs gaz.

Importantes mesures de sécurité

- Les ventilateurs à conduit DOIVENT toujours être évacués vers l'extérieur.
- NE PAS évacuer dans un espace entre les murs, un vide sanitaire, un plafond, un grenier ou un garage.
- Les anciens conduits doivent être nettoyés ou remplacés si nécessaire pour éviter tout risque d'incendie.
- Vérifiez tous les joints des conduits pour vous assurer qu'ils sont correctement raccordés et fixés.
- N'utilisez que des conduits métalliques. Cet appareil DOIT être mis à la terre.
- Avant de procéder à l'entretien ou au nettoyage de l'appareil, coupez le disjoncteur ou le fusible du panneau de service. Verrouillez le panneau de service pour éviter toute remise sous tension accidentelle.
- Lorsque vous découpez ou percez un mur ou un plafond, veillez à ne pas endommager le câblage électrique ou d'autres services publics non visibles.
- Tout le câblage électrique doit être correctement installé, isolé et mis à la terre.
- N'utilisez cet appareil que de la manière prévue par le fabricant. Si vous avez des questions, contactez le vendeur.
- NE PAS toucher la partie inférieure de la hotte directement après utilisation car elle peut être chaude. Attendez qu'elle ait refroidi.
- Assurez-vous d'inspecter le colis et son contenu dès sa réception.
- Branchez et testez la hotte et toutes ses fonctions (reportez-vous à la section Fonctionnement de la hotte, page 14), immédiatement après la réception de l'appareil et avant de contacter un installateur.

POUR RÉDUIRE LE RISQUE D'INCENDIE SUR UNE CUISINIÈRE :

- Nettoyez fréquemment les surfaces souillées de graisse. • Nettoyez fréquemment la hotte de ventilation.
- Maintenez toutes les surfaces exemptes d'accumulation de graisse ou d'huile.
- Évitez que de la graisse ne s'accumule sur le ventilateur, les filtres, et toute surface de la hotte ou sur la zone environnante.
- Mettez toujours la hotte en marche lorsque vous cuisinez à haute température ou lorsque vous cuisez des aliments flambés. N'utilisez les réglages de température élevée de la cuisinière que lorsque cela est nécessaire
- Ne laissez jamais les brûleurs ou la plaque de cuisson à des réglages de température élevée sans surveillance. Les débordements provoquent de la fumée et les débordements graisseux peuvent s'enflammer. Faites chauffer les huiles lentement à faible ou moyenne température.
- Utilisez toujours des ustensiles de cuisson de taille appropriée.
- Utilisez toujours des ustensiles de cuisson adaptés à la taille de l'élément de surface.

POUR RÉDUIRE LE RISQUE DE BLESSURES AUX PERSONNES EN CAS DE FEU DE GRAISSE :

- ÉTOUFFEZ LES FLAMMES avec un couvercle hermétique, une plaque à biscuits ou un plateau métallique, puis éteignez le brûleur. FAITES ATTENTION DE NE PAS VOUS BRÛLER. NE MANIPULEZ JAMAIS UNE POÊLE EN FLAMME - vous pourriez vous brûler.
- TENEZ LES MATÉRIAUX INFLAMMABLES OU COMBUSTIBLES LOIN DES FLAMMES. Si les flammes ne s'éteignent pas immédiatement, ÉVACUEZ ET APPELEZ LES POMPIERS ou appelez votre service d'urgence local immédiatement.
- N'UTILISEZ PAS D'EAU, y compris des torchons ou des serviettes mouillés - une violente explosion peut en résulter. Utilisez un extincteur UNIQUEMENT si :
 - Vous savez que vous avez un extincteur de classe A, B, C, et vous savez déjà comment le faire fonctionner.
 - Le feu est petit et contenu dans la zone où il s'est déclenché.
 - Le département des pompiers a été appelé.
 - Vous pouvez combattre l'incendie tout en maintenant une voie de sortie sûre.

POUR RÉDUIRE LE RISQUE DE BLESSURE EN CAS DE FUITE DE GAZ :

- Éteignez toute flamme ouverte.
- NE PAS allumer le ventilateur de la hotte ou tout autre type d'évacuation. • NE PAS allumer les lumières ou tout autre type d'appareil.
- Ouvrez toutes les portes et fenêtres pour disperser le gaz. Si vous sentez toujours une odeur de gaz, appelez la compagnie de gaz et les pompiers, ou appelez immédiatement votre service d'urgence local.

Table des matières

INSTALLATION

Outils nécessaires.....	3
Pièces incluses.....	4
Exigences d'évacuation.....	5
Hauteur & dégagement.....	5-6
Calculateur de modification de la taille des conduits	6
Méthodes d'évacuation.....	7
Exigences électriques	8
Préparation avancée	8-9
Aperçu de l'installation.....	10
Installation.....	10-13

UTILISATION

Fonctionnement de la hotte	14
Dépannage	15
Informations d'utilisation	16
Schémas électriques.....	17

ENTRETIEN

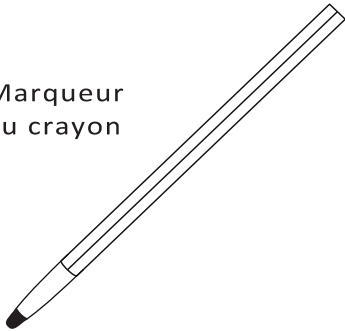
Nettoyage, remplacement des filtres et ampoules.....	18-19
--	-------

GARANTIE

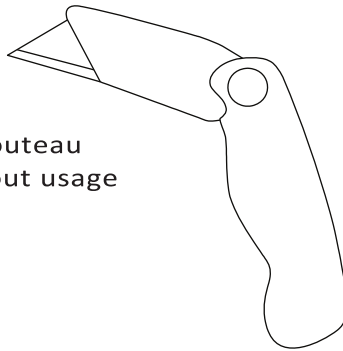
Couverture & exclusions.....	20
Avertissement de non-responsabilité.....	21

Outils nécessaires

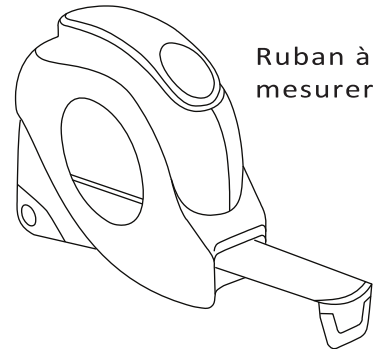
Marqueur
ou crayon



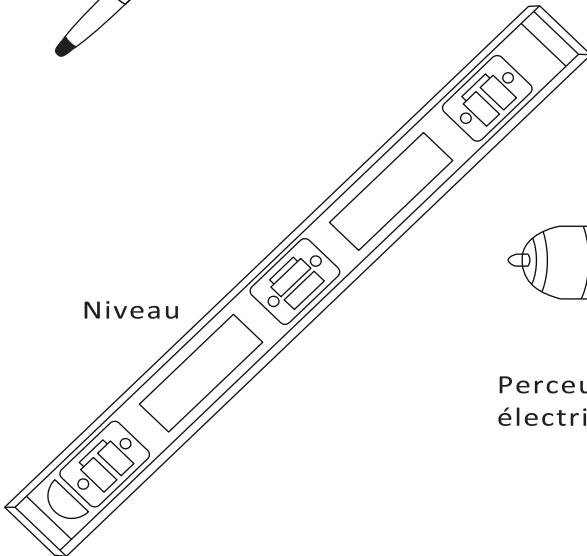
Couteau
tout usage



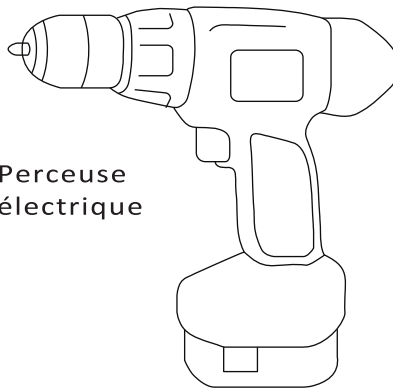
Ruban à
mesurer



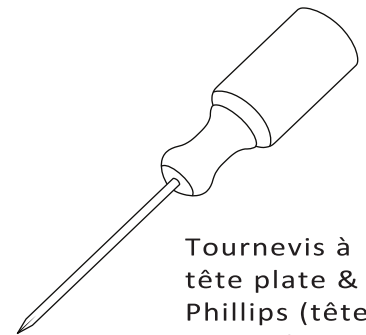
Niveau



Perceuse
électrique

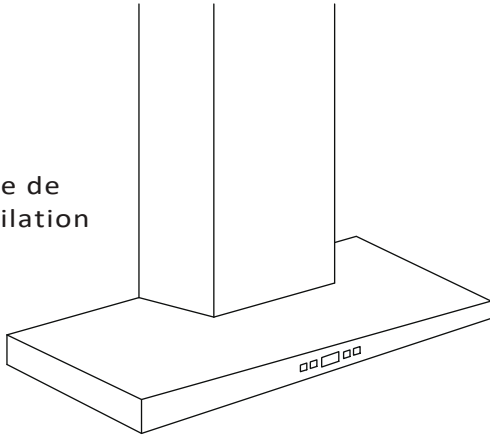


Tournevis à
tête plate &
Phillips (tête
étoilée)

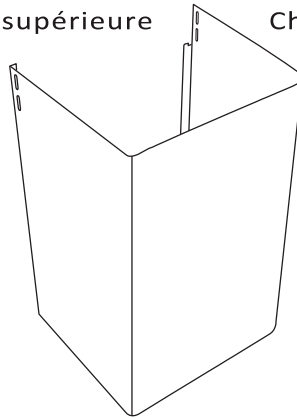


Pièces incluses

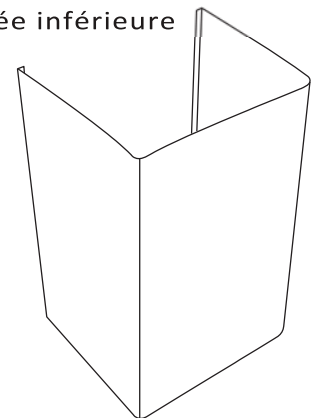
Hotte de ventilation



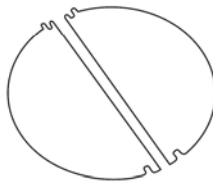
Cheminée supérieure



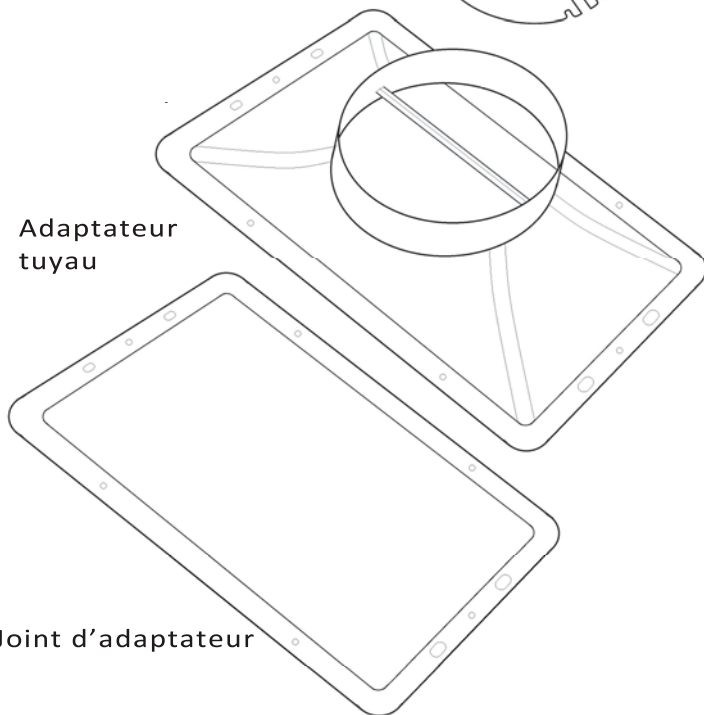
Cheminée inférieure



Clapet anti-tirage

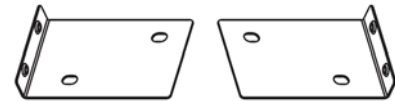


Adaptateur tuyau

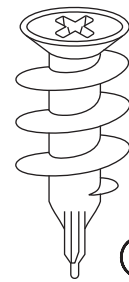


Joint d'adaptateur

Clapet anti-tirage



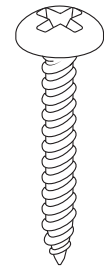
Support de fixation
cheminée supérieure



A

Qté : 6 PCS

(Pour cloison sèche
ou placoplâtre seulement)



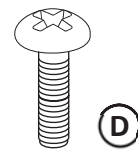
B

Qté : 6 PCS



C

Qté : 4 PCS



D

Qté : 6 PCS

Exigences d'évacuation

- Le système de ventilation doit aboutir vers l'extérieur (toit ou mur latéral).
- NE PAS terminer le système de ventilation dans un grenier ou d'autres zones fermées.
- NE PAS utiliser de capuchons muraux 4" (10,2 cm).
- Utilisez uniquement des conduits en métal/aluminium. Des conduits rigides en métal/aluminium sont recommandés.
- Toujours garder le conduit propre pour assurer une bonne évacuation d'air.
- Calculez les données suivantes avant l'installation:

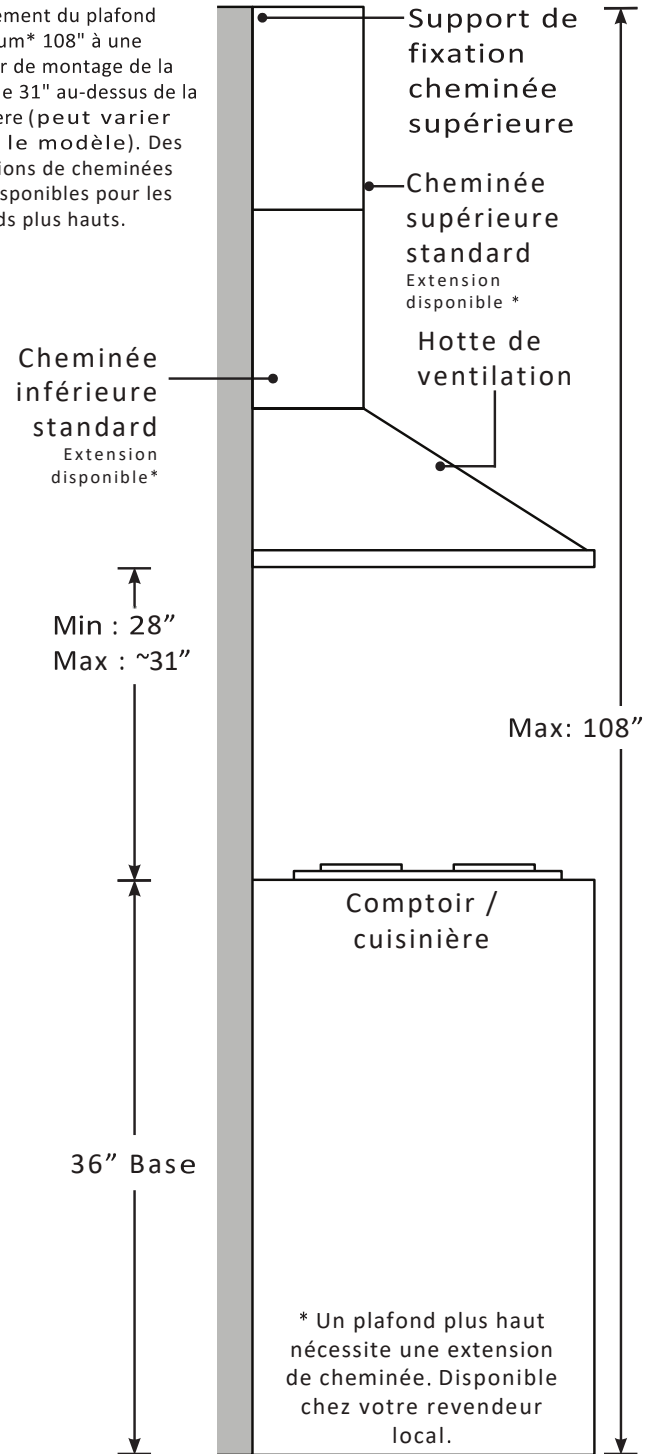
1. Distance entre le sol et le plafond. **(moins de 108")*.
2. Distance entre le sol et le comptoir/cuisinière. (Recommandé* 28" à 36")
3. Distance entre le comptoir/cuisinière et la hotte. (Recommandé 28" à 31").
4. Hauteur du corps de la hotte et des conduits de cheminée combinés. (Extension disponible*)

Pour un fonctionnement efficace et silencieux :

- Une distance de 28" à 31" est recommandée entre la cuisinière et le bas de la hotte.
- 28" est la hauteur la plus basse recommandée pour un fonctionnement sûr ; 31" est recommandé pour un fonctionnement efficace, mais peut être installé plus haut.
- Il est recommandé que la hotte soit ventilée verticalement à travers le toit par un conduit rond en métal/aluminium de 6" (15,24 cm) ou plus.
- La taille du conduit doit être uniforme. • N'utilisez pas plus de trois coudes à 90°.
- Pour de meilleurs résultats, installez un minimum de 24" (61 cm) de conduit droit entre les coudes si plus d'un coude est utilisé.
- NE PAS installer deux coudes ensemble.
- La longueur du conduit d'évacuation et le nombre de coudes doivent être réduits au minimum pour une performance maximum.
- Le système d'évacuation doit être équipé d'un clapet anti-retour. Si le capuchon du toit ou du mur est déjà muni d'un clapet anti-retour, NE PAS utiliser le clapet fourni. (le cas échéant).

Hauteur & dégagement

Dégagement du plafond maximum* 108" à une hauteur de montage de la hotte de 31" au-dessus de la cuisinière (peut varier selon le modèle). Des extensions de cheminées sont disponibles pour les plafonds plus hauts.



- Utilisez du ruban d'aluminium ou équivalent pour sceller tous les joints du système d'évacuation.
 - Utilisez du calfeutrage pour sceller l'ouverture du mur extérieur ou du toit autour du capuchon.
- * En raison des différentes configurations de hauteur de plafond, la hauteur recommandée peut ne pas être applicable.*

Hauteur & dégagement

IMPORTANT : Un minimum de conduit rond de 6" (standard pour cette hotte) ou rectangulaire de 3¼" x 10" (non fourni) doit être utilisé pour maintenir une efficacité maximale de circulation d'air

- TOUJOURS, si possible, réduire le nombre de transitions et de coudes. Si un long parcours de conduit est nécessaire, augmentez la taille du conduit à 7" ou 8". Si un réducteur est utilisé, installez un long réducteur au lieu d'un réducteur de type pancake. Toute réduction de la taille du conduit limitera et diminuera la circulation de l'air; pour maximiser l'efficacité du flux d'air, placez les réducteurs le plus loin possible des coudes ou des transitions.
- Si des courbes ou des transitions sont nécessaires, installez-les à une distance aussi régulière que possible, et aussi loin que possible de la hotte.
- Veuillez utiliser le Calculateur de modification de la taille des conduits ci-dessous pour calculer la longueur totale de conduit disponible en utilisant des coudes, des transitions et des capuchons.
- Il est important d'installer la hotte à la bonne hauteur. Les hottes fixées trop bas sont considérées dangereuses et peuvent entraîner des dommages thermiques et des risques d'incendie. Les hottes fixées trop haut sont plus difficiles à atteindre et perdent de leur efficacité générale.
- La hauteur minimale de montage entre la cuisinière et le bas de la hotte ne doit pas être inférieure à 28". Toute distance inférieure est considérée dangereuse et n'est pas recommandée.
- La hauteur maximale de montage entre la cuisinière et le bas de la hotte peut être supérieure à 31 pouces*, mais ce n'est pas recommandé en raison d'une perte d'efficacité. (Extension disponible*)
- Si disponible, consultez les exigences du fabricant de votre cuisinière en matière de dégagement en hauteur et de hauteur de montage recommandée de la hotte au-dessus de la cuisinière. * En raison des différentes configurations de hauteur de plafond, la hauteur recommandée peut ne pas être applicable.

Taille de conduit minimum:

- Rond - 6" minimum
- Rectangulaire - 3 ¼" x 10" minimum (nécessite un adaptateur 6" à 3 ¼" x 10", non fourni)

Calculateur de modification de la taille des conduits

- La taille minimale recommandée pour le conduit rond est de 6" (ou 3 ¼" x 10" si rectangulaire). La longueur maximale de conduit recommandée est de 50 ft. Pour toute longueur de conduit supérieure à 50 ft, il est recommandé d'utiliser un conduit de plus grand diamètre.
- Examinez le projet d'installation et notez la longueur estimée des conduits nécessaires ou utilisés. Notez le nombre de coudes, l'angle des coudes et/ou toute pièce de transition utilisée. Chaque coude ou transition réduit la circulation de l'air et réduit la longueur de conduit recommandée.

Déductions de conduit :

Chaque coude à 90°	9 ft
Chaque coude à 45°	5 ft
Chaque transition 6" à 3 ¼" x 10"	7 ft
Capuchon mural avec clapet anti-retour	1ft
Capuchon de toit avec clapet d'origine	1ft

Exemple de calcul de déduction des conduits :
(1) coude à 90°, (1) transition de 3¼" x 10", (2) coudes à 45°, (1) capuchon mural avec clapet anti-retour (avec clapet d'origine non installée)
-9ft + -7ft + -5ft + -5ft + -1ft = -27ft

Déduisez 27 ft de 50 ft, ce qui vous donne 23 ft de conduit droit disponible avant qu'il soit recommandé d'augmenter la taille de votre conduit.

Méthodes d'évacuation

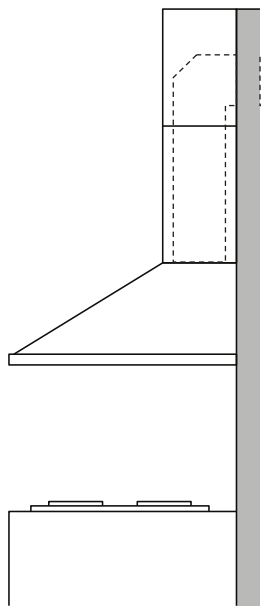
- Cette hotte est conçue pour être ventilée à travers le toit ou le mur.
- La ventilation peut se terminer soit par le toit, soit par le mur. Pour une évacuation à travers un mur, un coude de 90° est nécessaire.

IMPORTANT :

- NE JAMAIS évacuer l'air ou faire aboutir les conduits dans un espace entre les murs, un vide sanitaire, un plafond, un grenier ou un garage. Toutes les évacuations doivent être dirigées vers l'extérieur.
- Utilisez uniquement des conduits en métal/aluminium.
- Sécurisez tous les raccords avec des vis à tôle et fixez tous les joints avec du ruban d'aluminium ou équivalent.
- Utilisez un produit de calfeutrage pour sceller l'ouverture du mur extérieur ou du toit autour du

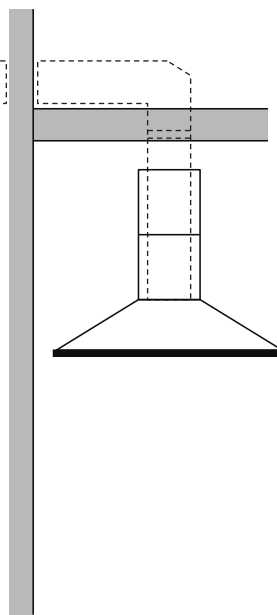
Évacuation horizontale par le mur

Option 1:



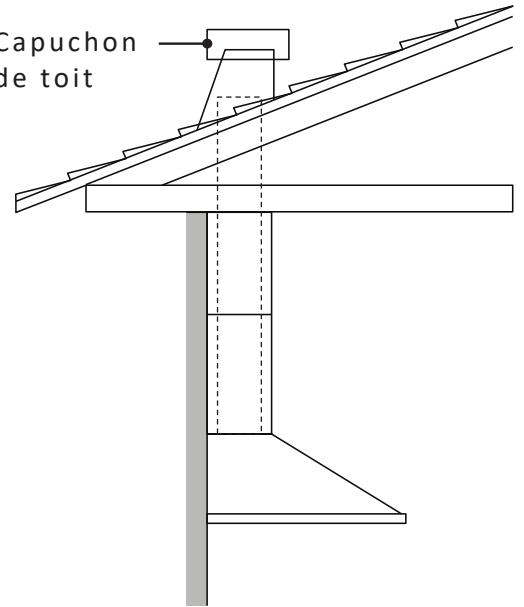
Capuchon mural

Option 2 :



Évacuation verticale par le toit

Capuchon
de toit



Exigences électriques

IMPORTANT : Respectez toutes les réglementations et codes locaux en vigueur.
(Veuillez consulter un électricien qualifié pour tout raccordement électrique)

Il est de la responsabilité du client :

- de contacter un installateur électrique qualifié.
- de s'assurer que l'installation électrique est adéquate et conforme au Code national de l'électricité, ANSI/NFPA 70 - dernière version*, ou aux normes CSA C22. 1-94, Code canadien de l'électricité, Partie 1 et C22. 2 No. 0-M91 - dernière version** Il est de votre responsabilité de connaître et d'adhérer à tous les codes de construction, d'incendie, d'électricité, de sécurité et à tout autre code applicable en ce qui concerne l'installation et l'utilisation de cette hotte.
- de fournir un service d'alimentation électrique protégé ; de préférence un disjoncteur différentiel de fuite à la terre ("DDFT") : 120 volts, 60 Hz, CA, avec au moins 5 ampères de service disponible.
- de faire appel à un électricien qualifié pour vous assurer que la hotte et les lignes électriques sont adéquatement mises à la terre et correctement protégées. **NE JAMAIS** mettre à la terre électriquement un tuyau de gaz.
- **IMPORTANT**: Conservez ce guide d'installation pour vous y référer ultérieurement et/ou pour l'inspecteur en électricité.
- La hotte doit être raccordée à un réseau électrique protégé par un disjoncteur.
- Le calibre des fils (en cuivre uniquement) et les connexions doivent être conformes à la puissance nominale de l'appareil, telle que spécifiée sur la notice du modèle/de la série. La taille des fils doit être conforme aux exigences du Code national de l'électricité et de tous les codes et ordonnances locaux. Un connecteur de conduit homologué U.L. - ou C.S.A. - doit être installé à chaque extrémité du câble d'alimentation (sur la hotte de la cuisinière et sur le boîtier de raccordement).

Préparation avancée

Préparations avancées :

1. Familiarisez-vous avec les réglages de la hotte en lisant la section *Fonctionnement de la hotte*, page 14.
2. Placez la hotte sur une surface plane et stable. Branchez la hotte à une prise de courant standard (veuillez consulter la notice du produit pour connaître la tension appropriée pour cet appareil) et mettez la hotte en marche. Vérifiez toutes les opérations de la hotte en vous référant à la section *Fonctionnement de la hotte*, page 14.
3. Placez toutes les pièces fournies et les outils nécessaires sur une surface plane et stable et vérifiez la présence de toutes les pièces énumérées à la page 4.
4. Retirez délicatement la couche protectrice de plastique blanc des couvercles de la cheminée et de la hotte.



AVERTISSEMENT

Poids excessif

Il faut trois personnes ou plus pour déplacer et installer cette hotte. Des blessures à la colonne vertébrale ou autres blessures corporelles pourraient survenir si cette consigne n'est pas respectée.

ATTENTION : Pour éviter d'endommager votre hotte, empêchez les débris de pénétrer dans l'ouverture d'évacuation.

1. Déterminez et marquez la ligne centrale sur le mur où la hotte sera installée. Assurez-vous qu'il y a un dégagement approprié dans le plafond ou le mur pour le conduit d'évacuation.
2. En raison du poids et de la taille de cet appareil, assurez-vous que le système de soutien ou le support utilisé est stable et solide dans le mur ou le plafond.
3. Placez un revêtement épais et protecteur sur le comptoir, la table de cuisson ou la cuisinière pour les protéger des dommages et de la saleté. Retirez tout objet dangereux autour de la zone d'installation.
4. Marquez les emplacements des trous du support de fixation, de la découpe du conduit (le cas échéant) et de la découpe du câble d'alimentation dans le mur ou le plafond, derrière les couvercles de cheminée. Utilisez une perceuse et une scie sauteuse ou une scie à guichet pour découper l'ouverture pour le câble d'alimentation et le conduit (voir *Exigences de ventilation et Exigences électriques*, pages 5-8).
5. En cas d'évacuation vers l'extérieur, installez un système d'évacuation (voir *Méthodes d'évacuation*, page 7). Utilisez un produit de calfeutrage pour sceller les ouvertures du mur extérieur ou du toit.
6. Débranchez l'alimentation électrique principale, préparez et faites passer le câblage électrique à travers le plafond ou le mur. Installez une prise de courant à portée de la hotte. NE PAS rétablir le courant avant la fin de l'installation.
7. Débranchez le cordon d'alimentation et retirez les filtres à chicane en acier inoxydable.
8. Mettez de côté les filtres à chicane en acier inoxydable jusqu'à ce que la hotte soit installée.
9. Assemblez l'adaptateur de conduit au corps de la hotte. Placez le joint d'étanchéité de l'adaptateur de conduit dans la zone creuse du côté rectangulaire de l'adaptateur de conduit ; placez le côté rectangulaire de l'adaptateur de conduit sur le conduit de la hotte, en alignant les trous de vis ; fixez l'adaptateur de conduit sur le corps de la hotte à l'aide du matériel fourni : vis "D".

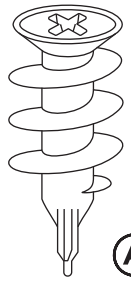


AVERTISSEMENT

Blessures graves

La rotation du ventilateur peut provoquer des blessures graves. Restez à l'écart du ventilateur lorsque l'appareil est sous tension.

Aperçu de l'installation

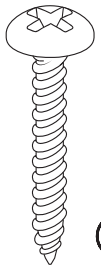


A

Qté : 6 PCS
(Pour cloison sèche ou placoplâtre seulement)

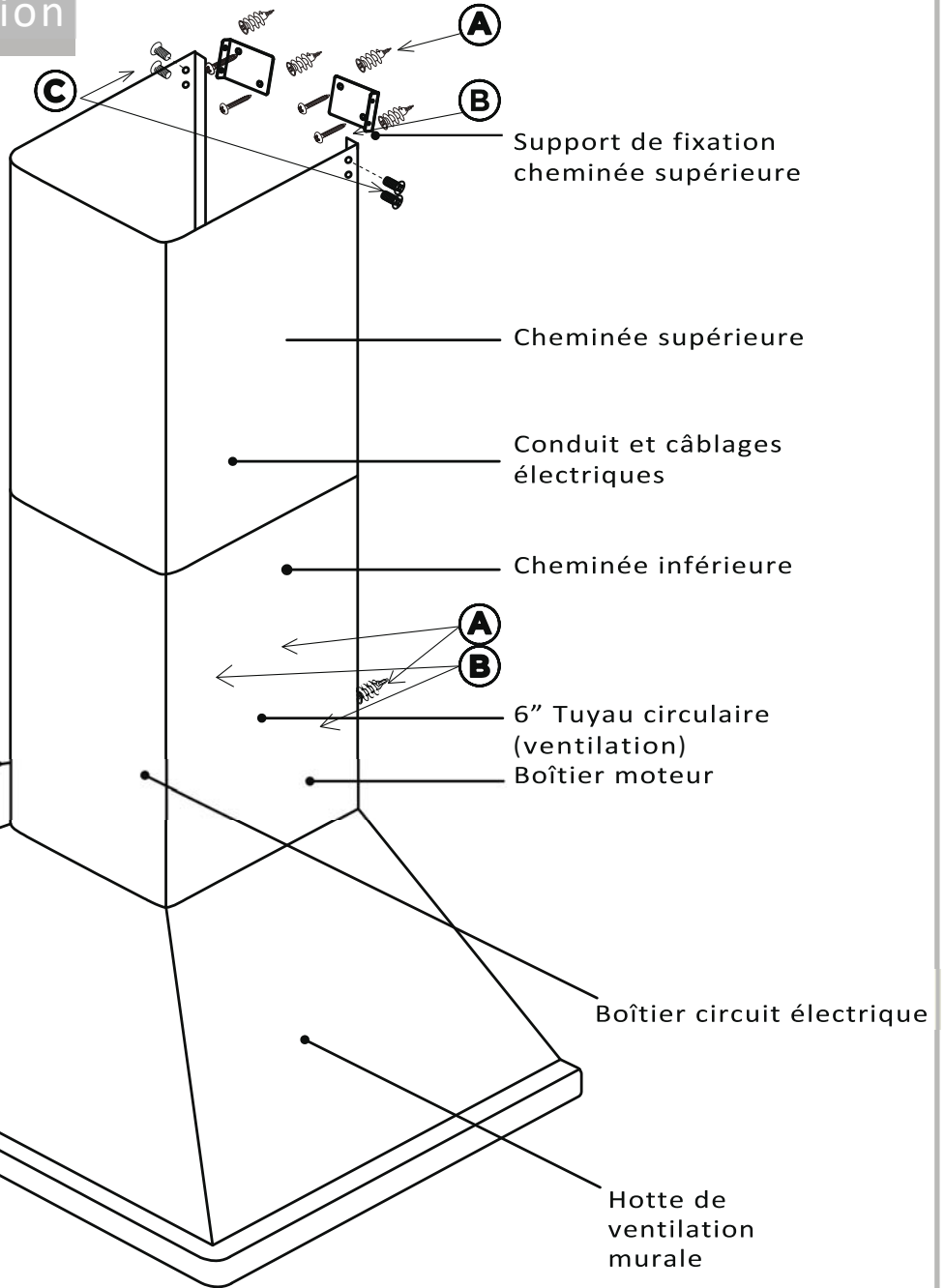


C



B

Qté : 6 PCS



Note : Les ancrages de type "A" sont conçus pour les cloisons sèches ou le placoplâtre. Ne pas les utiliser avec d'autres types de murs.

Installation

1. Confirmez l'endroit où vous voulez installer votre hotte:

Confirmez les mesures de la ligne centrale et des côtés de chaque pièce. Mesurez la distance entre la cuisinière et le bas de la hotte et confirmez une distance *recommandée de 28" à 31".

**En raison des différentes configurations de hauteur de plafond, la hauteur recommandée peut ne pas être applicable. Utilisez du ruban adhésif, un crayon ou un marqueur effaçable pour marquer votre installation idéale.*

2. Marquez les emplacements de montage du corps de la hotte:

Assurez-vous que la hotte est à niveau, qu'elle n'est pas inclinée et qu'elle ne touche pas d'autres objets.



AVERTISSEMENT

Risque d'électrocution !

N'effectuez pas d'entretien sur un système sous tension. Débranchez l'alimentation électrique principale avant de procéder à l'entretien de cet appareil. Le fait de toucher des connecteurs électriques ou d'autres circuits électriques exposés à l'intérieur de cette hotte lorsqu'ils sont sous tension peut entraîner la mort, des blessures corporelles graves ou des dommages matériels.

Installation (suite)

Marquez les emplacements des trous du support de fixation sur le mur, comme indiqué sur la figure 3A et la figure 3B.

3. Marquez les emplacements de montage du support de fixation de la cheminée supérieure:

Regardez comment ce support se loge dans le couvercle de la cheminée supérieure et utilisez-le comme référence pour savoir où vous voulez installer votre cheminée supérieure et où le support doit être installé sur votre mur.

Placez le support de fixation au-dessus de la hotte, mettez-le à niveau et marquez les emplacements des trous du support de fixation sur le mur.

4. Préforez les trous pour le matériel de montage:

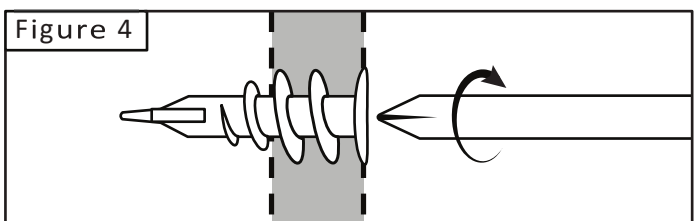
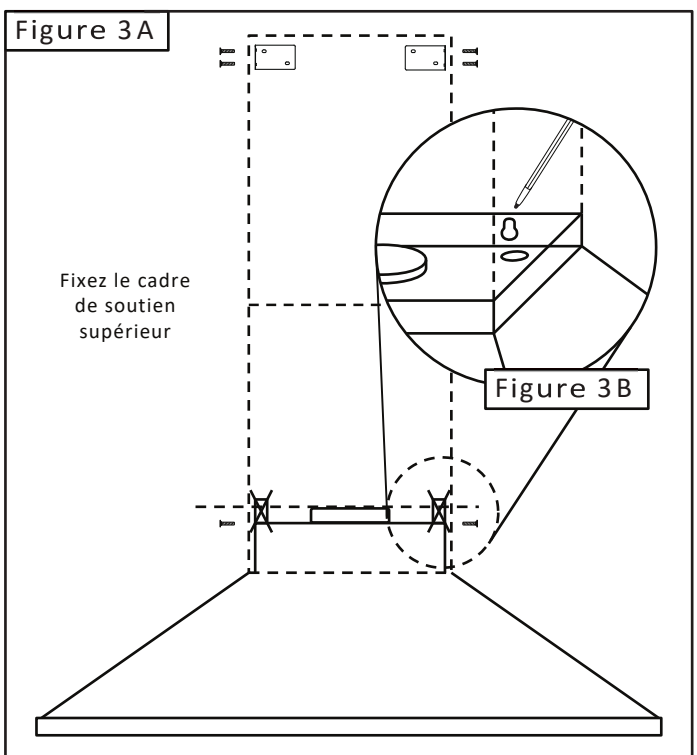
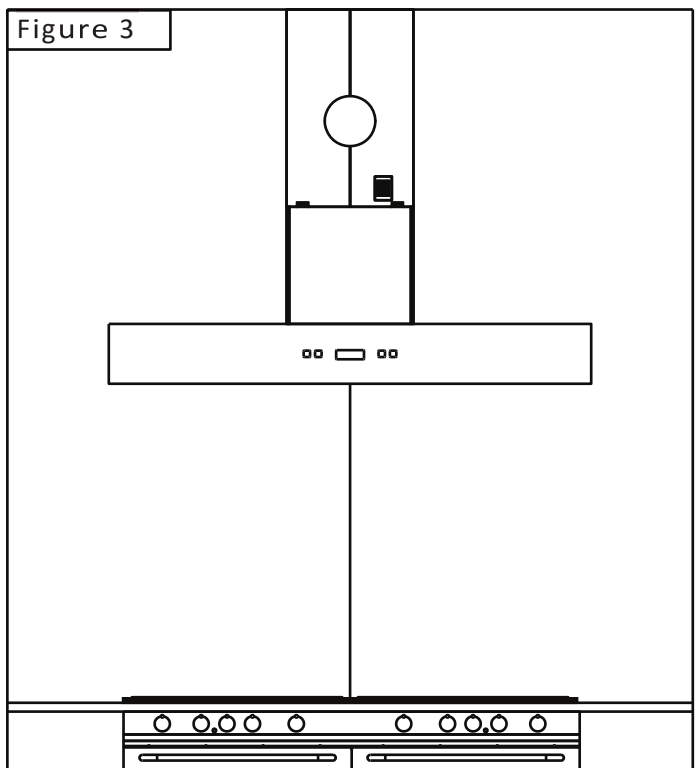
Mettez de côté tout le matériel et examinez toutes les zones marquées et les trous de perçage. Passez en revue le matériel de fixation à utiliser.

- **Murs en placoplâtre, en bois ou cloison sèche** où les montants structuraux sont **accessibles** : vissez directement dans les supports structuraux, à l'aide d'une quincaillerie qui correspond ou surpasse le matériel d'origine, avec un filetage d'au moins 1".

- **Murs en placoplâtre, en bois ou cloison sèche** où les montants structuraux ne sont **pas accessibles** : il est fortement recommandé de fixer la hotte à des montants structuraux. Si les plots de blocage ne sont pas disponibles, il est recommandé de construire une structure de soutien derrière le placoplâtre pour un meilleur support du poids. Si des ancrages muraux sont utilisés, assurez-vous que leur capacité de charge est supérieure au poids de la hotte, de la quincaillerie et de la charge d'utilisation estimée.

- **Mur en béton** : utilisez des vis à béton et/ou des ancrages désignés (non fournis) qui correspondent ou surpassent les spécifications du matériel d'origine. Assurez-vous que la capacité de charge est appropriée. Suivez les instructions du fabricant de vis à béton.

5. Installez le corps de la hotte (si vous utilisez le matériel d'origine) :



Installation (suite)

Fixez (2) deux ancrages de type "A" à ras du mur, tel qu'illustré à la Figure 4, sur les emplacements préalablement marqués pour le montage du corps de la hotte.

Fixez sans serrer (2) deux vis de type "B" dans les ancrages - NE PAS serrer les vis à fond ; laissez un espace d'environ 3/32" entre le mur et la tête de la vis. Accrochez le corps de la hotte sur les vis de type "B". Assurez-vous que la hotte est à niveau, puis serrez les vis complètement.

Note : pour les hottes murales (non montées sur îlot), le panneau arrière du corps de la hotte (contre le mur d'installation) est en tôle lisse et peut être percé et vissé dans le mur pour une meilleure stabilité. NE PAS percer ou visser dans les fils, les faisceaux de câblage ou tout autre dispositif.

6. Installez le support de fixation supérieur de la cheminée (si vous utilisez le matériel fourni) :

Référez-vous aux étapes "4" et "5" pour compléter cette étape "6", aux endroits précédemment marqués à l'étape "3".

7. Installez le tube de conduit flexible :

Installez d'abord le tube de conduit flexible sur votre conduit domestique, puis étendez le conduit vers le bas, en laissant environ 15 cm de conduit excédentaire ; coupez le conduit excédentaire. Installez le conduit sur l'adaptateur de conduit de la hotte (corps). Utilisez du ruban adhésif pour conduits ou des dispositifs de fixation certifiés.

8. Installez la fiche d'alimentation :

Branchez le cordon d'alimentation dans votre prise de courant. NE PAS mettre l'appareil sous tension tant que l'installation n'est pas terminée, ou si un test de fonctionnement est souhaité (à faire avant de commencer l'installation) ; dégagez l'espace de travail, assurez-vous qu'il est dégagé, puis alimentez temporairement l'appareil et testez ses fonctions. Veillez à couper complètement l'alimentation électrique après les tests et avant de poursuivre l'installation.

Figure 4 A

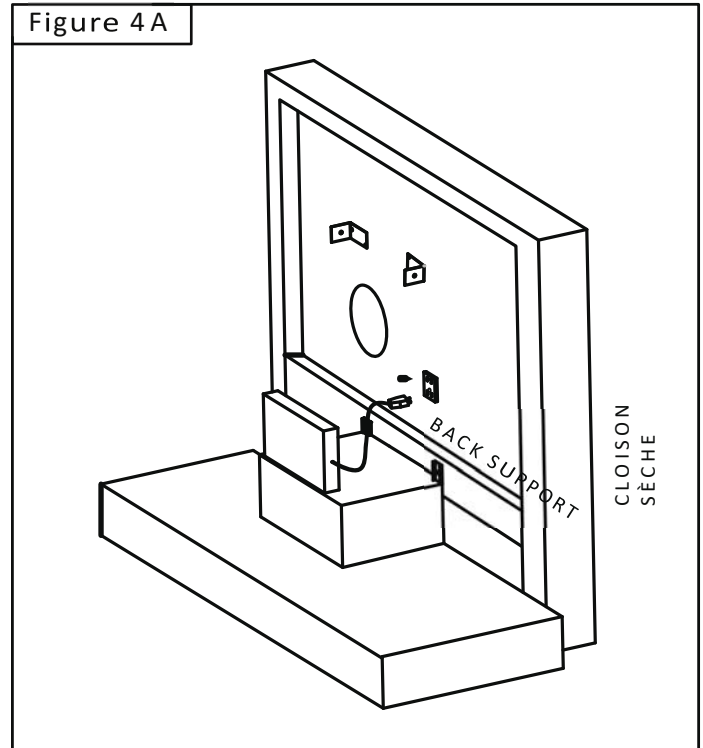
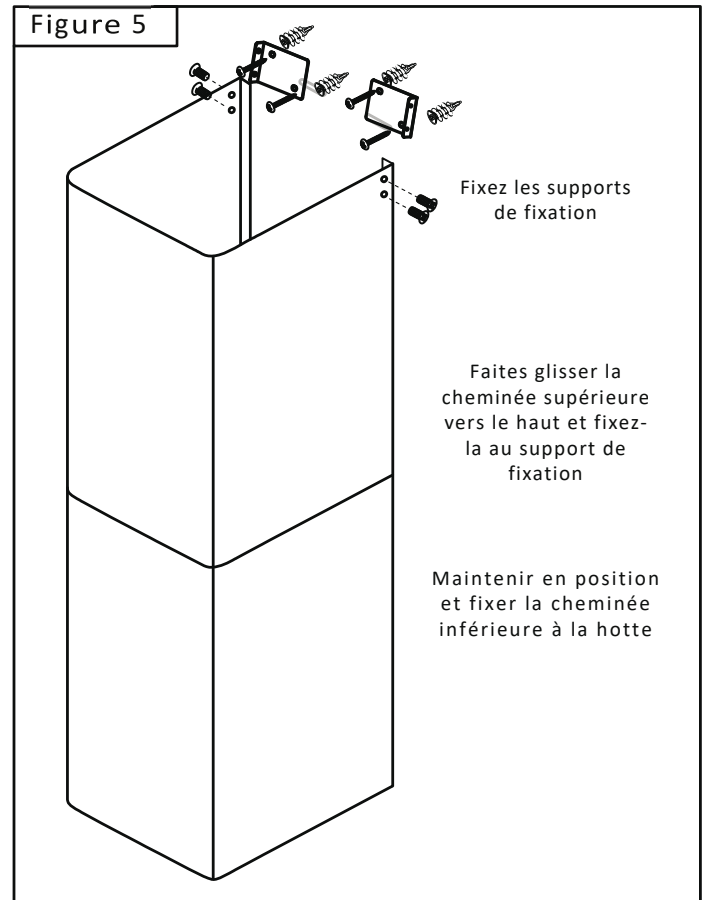


Figure 5



9. Installez le couvercle de la cheminée

supérieure : Gardez le matériel d'installation à portée de main, alignez le couvercle de la cheminée supérieure avec le support de fixation préinstallé (cheminée supérieure), puis vissez le matériel à travers la cheminée dans le support de fixation. Retirez tout film de protection de la finition.

Pour éviter toute éraflure, installez une pièce de cheminée à la fois, en commençant par la cheminée supérieure. Assurez-vous que les pièces de la cheminée sont bien fixées avant de passer à l'étape suivante.

10. Installez le couvercle de la cheminée

inférieure : Confirmez l'orientation du couvercle de la cheminée inférieure, tirez, étirez ou pliez l'ouverture arrière de la cheminée pour qu'elle soit temporairement plus grande que le couvercle de la cheminée supérieure, installez ou emboîtez soigneusement la cheminée inférieure sur le couvercle de la cheminée supérieure et le corps de la hotte. Vissez le matériel de montage à travers le couvercle de la cheminée inférieure dans le corps de la hotte. Retirez tout film de protection de finition.

11. Installez les accessoires et vérifiez le fonctionnement :

Installez les filtres à chicane en acier inoxydable, puis vérifiez le fonctionnement de la hotte. Retirez tout autre film de protection de finition. Utilisez un nettoyant pour acier inoxydable afin d'éliminer les traces de doigts ou les marques.

Figure 6

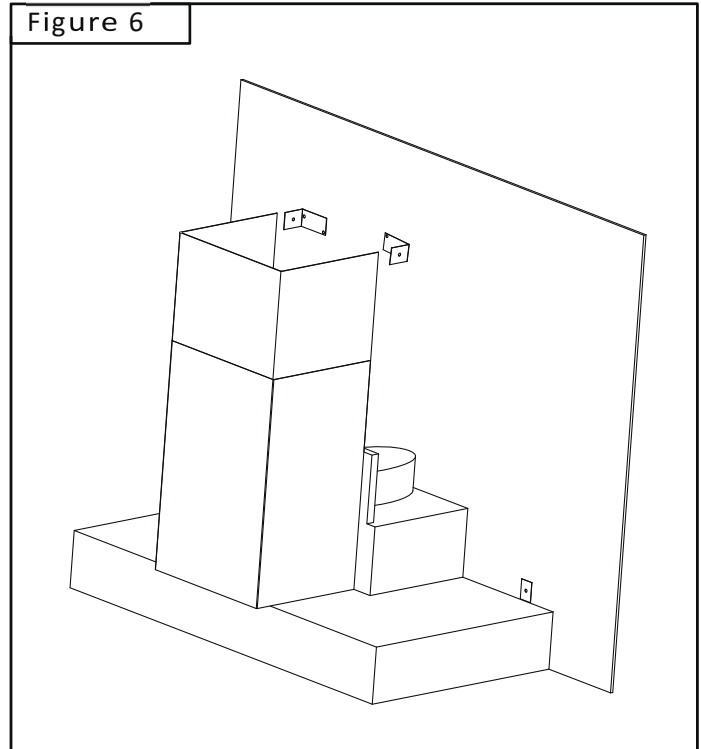
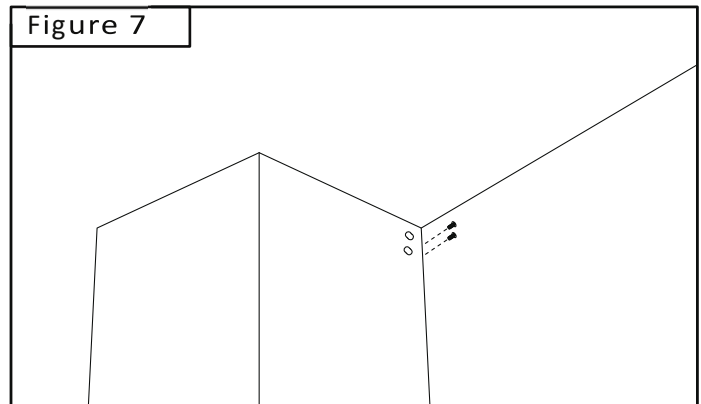
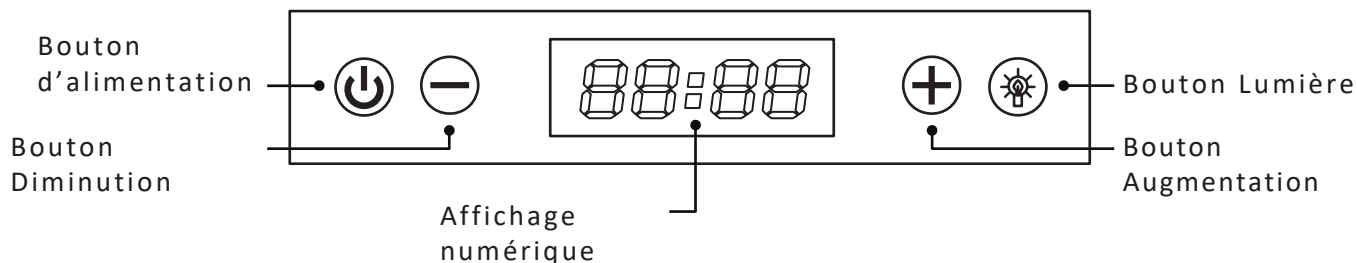


Figure 7



Panneau de configuration, affichage et fonctions :



Note : Pour obtenir les meilleurs résultats, allumez la ventilation avant toute cuisson et laissez-la fonctionner pendant la cuisson. Réglez la puissance de la ventilation selon les besoins.

MARCHE / ARRÊT

Appuyez sur le bouton d'alimentation pour allumer la hotte. Pour l'éteindre, appuyez à nouveau sur le bouton d'alimentation, et le système retardera automatiquement l'arrêt de 3 minutes, en affichant un compte à rebours. Si vous voulez que la hotte s'éteigne immédiatement, appuyez à nouveau sur le bouton d'alimentation.

Réglage de l'arrêt différé de 3 minutes

Lorsque le ventilateur est en marche, appuyez une fois sur le bouton d'alimentation pour passer en mode d'arrêt différé. Le bouton d'alimentation clignotera et la fonction de ventilateur s'éteindra après 3 minutes. Pour annuler le mode d'arrêt différé, appuyez à nouveau sur le bouton d'alimentation et la ventilation s'arrêtera immédiatement. Lorsque le mode d'arrêt différé est activé, la modification du niveau de vitesse du ventilateur n'affectera pas le compte à rebours.

Réglage de la vitesse

Lorsque le ventilateur est en marche, appuyez sur le bouton Augmentation pour augmenter la vitesse. Appuyez sur le bouton Diminution pour diminuer la vitesse de ventilation. Le réglage de vitesse le plus élevé est indiqué par "F3", et le plus bas par "F1".

Réglage de la lumière

Appuyez sur le bouton Lumière pour allumer les lumières ; appuyez à nouveau pour les éteindre.

Dépannage

Si la hotte ou la lumière ne fonctionne pas après l'installation :

- Vérifiez si la hotte a été branchée, assurez-vous que le courant a été rétabli et que tous les fils électriques sont correctement connectés.
- Remplacez les ampoules pour déterminer si le problème est dû à des ampoules défectueuses. Voir Remplacement des ampoules à la page 19.

La hotte vibre lorsque l'aspiration est active :

- La hotte n'a peut-être pas été fixée correctement au plafond ou au mur. Vérifiez auprès de votre installateur.

L'aspiration ou le ventilateur semble faible :

- Vérifiez que la taille du conduit utilisé est d'au moins 6" ou 3 ¼" x 10". La hotte ne fonctionnera PAS de manière effective avec un conduit de taille insuffisante. Par exemple : conduit de 7" sur un trou de 6" et fixé de façon lâche.
- Vérifiez si le conduit est obstrué ou si le clapet anti-retour (clapet en demi-lune) n'est pas installé correctement ou ne s'ouvre pas correctement. Une maille serrée sur un capuchon mural latéral peut également causer une restriction de la circulation d'air.

Les lumières fonctionnent mais l'aspiration ne tourne pas, est bloquée ou fait du bruit :

- Le ventilateur peut être bloqué ou frotter contre le fond de l'appareil en raison d'un dommage dû au transport. Veuillez nous contacter immédiatement.

La hotte n'évacue pas correctement :

- Assurez-vous que la distance entre la cuisinière et le bas de la hotte est comprise entre 28 et 31". *En raison de différentes configurations de hauteur de plafond, la hauteur recommandée peut ne pas être applicable.
- Réduisez le nombre de coudes et la longueur des conduits. Vérifiez si tous les joints sont correctement raccordés, scellés et fixés.
- Assurez-vous que la puissance est sur la vitesse maximale pour les cuissons importantes.

Fonction des fentes/trous/ouvertures près du haut de la cheminée supérieure :

- Ces fentes/trous/ouvertures servent à évacuer l'air filtré.

Note : pour toute autre demande, contactez-nous au : 1-844-455-3474 ext. 2 ou service@caloricappliances.ca

Exigences d'utilisation

Fonctionnement :

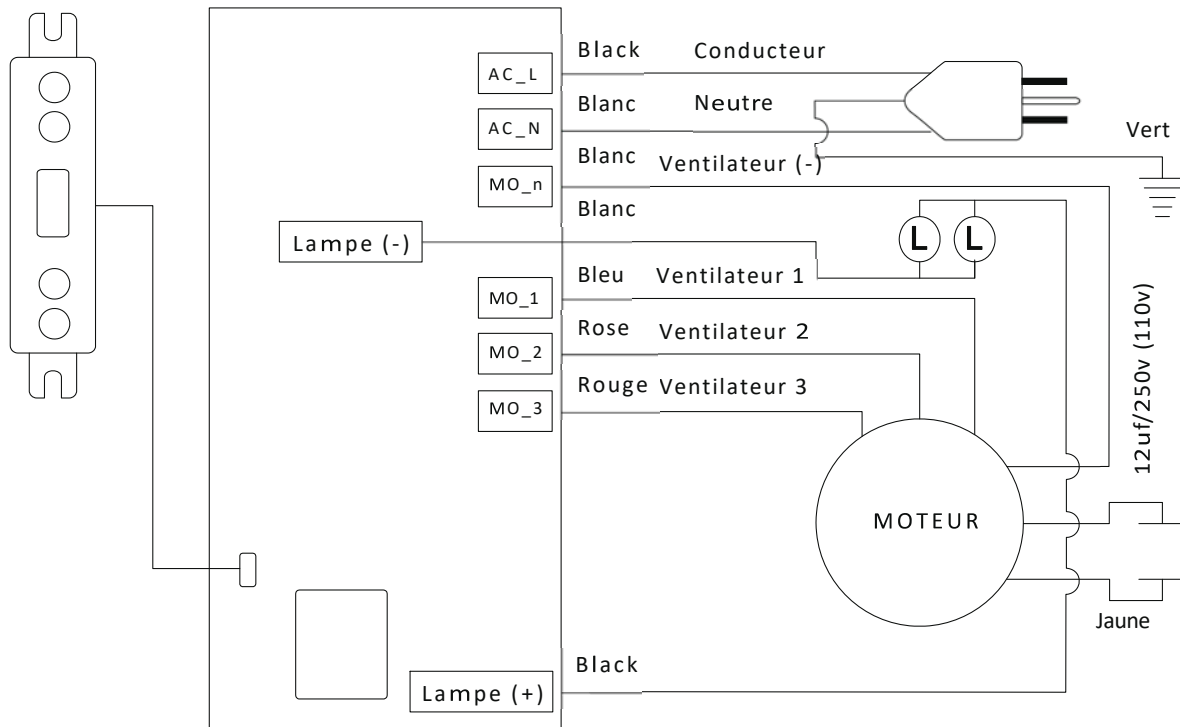
- Lisez et comprenez toutes les instructions et tous les avertissements de ce manuel avant d'utiliser l'appareil. Conservez ces instructions pour vous y référer ultérieurement.
- Laissez toujours les grilles de sécurité et les filtres en place. Sans ces éléments, les ventilateurs en fonctionnement pourraient accrocher les cheveux, les doigts et les vêtements amples.
- Ne jetez JAMAIS de cendres de cigarettes, de substances inflammables ou tout autre objet étranger dans les ventilateurs.
- Ne laissez JAMAIS des aliments cuire sans surveillance. Lors de la friture, l'huile contenue dans la poêle peut facilement surchauffer et s'enflammer. Le risque d'autocombustion est plus élevé lorsque l'huile a été utilisée plusieurs fois.
- Ne cuisinez JAMAIS avec des flammes "nues" sous la hotte de ventilation. Vérifiez les friteuses pendant leur utilisation : l'huile surchauffée peut être inflammable.

Nettoyage :

- La saturation de résidus graisseux dans le ventilateur et les filtres peut provoquer un risque d'inflammation accru. Maintenez l'appareil propre et exempt d'accumulation de graisse et de résidus à tout moment pour éviter tout risque d'incendie.
- Les filtres doivent être nettoyés périodiquement et exempts d'accumulation de résidus de cuisson (voir les instructions de nettoyage à la page 18). Les filtres anciens et usés doivent être remplacés immédiatement.
- NE PAS faire fonctionner les ventilateurs lorsque les filtres sont retirés. Ne démontez jamais les pièces pour les nettoyer sans instructions appropriées. Il est recommandé que le démontage soit effectué par du personnel qualifié uniquement. Lisez et comprenez toutes les instructions et tous les avertissements contenus dans ce manuel avant de procéder.

** Sujet à modification sans préavis*

Schémas électriques



* Sujet à modification sans préavis.

AVIS DE SÉCURITÉ : Ne mettez jamais votre main dans la zone abritant le ventilateur lorsque celui-ci fonctionne !

Pour un fonctionnement optimal, nettoyez régulièrement la hotte de ventilation et tous les filtres/surfaces. Un entretien régulier aidera à préserver l'apparence de la hotte.

Nettoyage des surfaces extérieures :

- Nettoyer périodiquement avec de l'eau chaude savonneuse et un chiffon en coton propre. N'utilisez PAS de détergent corrosif ou abrasif (par ex. Comet Power Scrub®, nettoyeur pour four EZ-Off®), ni de laine d'acier ou de tampons à récurer, qui rayeraient et endommageraient la surface en acier inoxydable. Pour les taches plus importantes, utilisez un dégraissant liquide tel que le nettoyeur de marque "Formula 409®" ou "Fantastic®".
- Si la finition semble tachetée (hotte en acier inoxydable), utilisez un nettoyeur pour acier inoxydable pour nettoyer la surface de la hotte. Utilisez un chiffon doux et sec pour sécher la hotte. ATTENTION : Ne laissez pas la solution de nettoyage trop longtemps sur la surface car cela pourrait endommager la finition. Évitez de faire pénétrer les solutions de nettoyage dans ou sur le panneau de configuration, les composants électriques, les fils ou les prise).
- Essuyez/nettoyez/polissez toujours dans le même sens que la finition en acier inoxydable brossé. N'essuyez jamais dans le sens contraire du grain.
- Après le nettoyage, vous pouvez utiliser un produit de polissage non abrasif pour acier inoxydable, tel que 3M® ou ZEP®, pour polir et faire ressortir le lustre et le grain de l'acier inoxydable. Frottez toujours légèrement, avec un chiffon en coton propre, et dans le sens du grain.
- NE PAS laisser de dépôts s'accumuler sur la hotte, car ils deviendront plus difficiles à nettoyer et risquent de rayer la finition.
- NE PAS utiliser de laine d'acier ordinaire ou de brosses en acier. De petits morceaux d'acier pourraient adhérer à la surface et provoquer de la rouille.
- NE PAS laisser de solutions salines, de désinfectants, de produits de blanchiment ou de produits nettoyants en contact avec l'acier inoxydable pendant de longues périodes. De nombreux produits contiennent des substances chimiques qui peuvent être nocives. Rincez à l'eau après contact et essuyez avec un chiffon propre.

Nettoyage des filtres à chicane en acier inoxydable :

IMPORTANT :

- Les filtres métalliques sont destinés à aider à filtrer les graisses, les résidus et l'humidité dus à la cuisson. Ils doivent être gardés propres pour des raisons de performance et de sécurité, et peuvent nécessiter un remplacement s'ils sont négligés.
- Les filtres doivent être nettoyés toutes les 30 heures d'utilisation ou moins selon les conditions d'utilisation.
- Retirez-les et nettoyez-les à la main ou au lave-vaisselle. REMARQUE : Certains détergents vaisselle récents peuvent marquer ou noircir les métaux en aluminium, tels que les filtres à mailles en aluminium. Vaporisez du "Formula 409®" ou un détergent dégraissant équivalent et laissez tremper s'ils sont très sales. Rincez à l'eau tiède, laissez sécher les filtres, puis réinstallez-les avant d'utiliser la hotte.

Remplacement des filtres :

- Si les filtres sont endommagés en raison d'une utilisation prolongée, veuillez contacter Caloric™ pour obtenir des filtres de remplacement. Consider preemptively purchasing an extra set of filters to store on hand.
- Note : Remplacez aussi les filtres percés, tordus ou cassés.



AVERTISSEMENT Risque de brûlure !

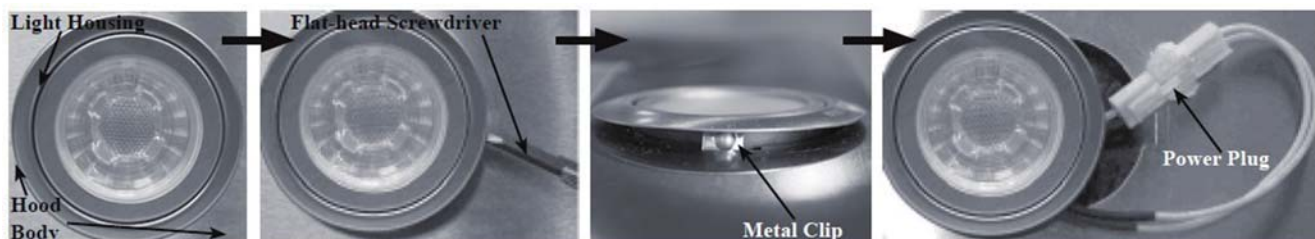
L'ampoule devient extrêmement chaude lorsqu'elle est allumée. NE PAS toucher l'ampoule avant qu'elle ne soit éteinte et refroidie. Toucher des ampoules chaudes peut provoquer des brûlures graves.

Remplacement de l'ampoule :

- Consultez la notice de la hotte pour connaître les spécifications des lampes. Les ampoules halogènes ne fonctionnent pas sur les modèles "DEL" (elles émettraient de légères impulsions ou clignoteraient).
- Avant d'effectuer toute tâche autre que les opérations de base, coupez l'alimentation électrique et/ou débranchez l'appareil.
- Avant d'essayer de manipuler les ampoules, assurez-vous qu'elles sont froides au toucher, ainsi que les surfaces de travail adjacentes.

Remplacement des lumières DEL :

- Cette hotte utilise un luminaire DEL : 3W Max 12V LED.
- Assurez-vous que la hotte soit débranchée ou coupez le disjoncteur et vérifiez que les lumières sont froides au toucher.
- Placez un tournevis à tête plate entre le boîtier de la lampe et le corps de la hotte, soulevez délicatement le boîtier de la lampe et cherchez l'attache métallique. (Recommandation : utilisez plusieurs couches de ruban adhésif sur la tête du tournevis pour éviter de rayer la finition)
- Pressez sur l'attache métallique et retirez le luminaire. Débranchez le câble d'alimentation et jetez l'ancien luminaire.
- Inversez les étapes pour installer un nouveau luminaire DEL. Allumez le disjoncteur et la hotte pour tester le fonctionnement.



Boîtier de la lampe
Corps de la hotte

Tournevis à tête plate

Attache métallique

Prise électrique

Garantie

GARANTIE LIMITÉE

Cette garantie s'applique uniquement à l'acheteur d'origine et ne peut être transférée. Cette garantie s'applique au Canada seulement, aux hottes installées pour une utilisation normale et non commerciale dans les MÉNAGES PRIVÉS UNIFAMILIAUX.

Caloric™ garantit que ce produit est exempt de tout défaut de matériau ou de fabrication pendant une période d'un an à compter de la date d'achat d'origine. Pendant la période de garantie, Caloric™ réparera ou remplacera, à sa discrétion, sans frais, tout produit ou pièce défectueux dans des conditions normales d'utilisation et de service. Cette garantie couvre les pièces et la main-d'œuvre d'une entreprise agréée Caloric™, jusqu'à un maximum d'une (1) heure.

Une preuve de paiement à la société de services est requise.

IL N'Y A AUCUNE AUTRE GARANTIE, EXPRESSE OU IMPLICITE, Y COMPRIS, MAIS SANS S'Y LIMITER, LES GARANTIES IMPLICITES OU LA CAPACITÉ OU L'ADÉQUATION DES MARCHANDS À UN USAGE PARTICULIER.

Une preuve d'achat / facture originale et numéro de série est requis pour les réclamations sous garantie. Gardez une photocopie facilement accessible.

Cette garantie sera nulle si la plaque signalétique a été retirée ou défigurée.

EXCLUSIONS – Cette garantie Caloric™ ne couvre pas : • Les filtres à chicane en aluminium ou en acier inoxydable, les lumières ou les auvents en verre, les dommages à la roue de soufflante • Entretien et service réguliers (sauf par un centre de réparation agréé Caloric™) • Abus, incendie, inondation, catastrophe naturelle, mauvaise installation, installation non conforme aux codes électriques, ou utilisation de consommables ou de produits de nettoyage non approuvés par Caloric™ • Réparation d'un appareil utilisé dans un autre usage qu'un ménage unifamilial normal, ou d'une manière contraire au fonctionnement ou instructions d'installation.

• Dommages cosmétiques ou dommages de transport causés par une société de transport tierce • Service à un produit qui n'est pas facilement accessible en raison d'une installation inhabituelle, exceptionnelle ou difficile • Appels de service pour savoir comment utiliser l'appareil • Frais de voyage et de transport si votre appareil se trouve dans une région éloignée où l'entretien par un réparateur Caloric™ agréé n'est pas disponible.

Les frais de réparation ou de remplacement dans le cadre de ces exclusions sont à la charge du client et acceptés avant l'envoi d'un réparateur.

Caloric™ NE SERA PAS RESPONSABLE DES DOMMAGES ACCESSOIRES, CONSÉCUTIFS OU SPÉCIAUX SURVENANT DE OU EN LIEN AVEC L'UTILISATION OU LA PERFORMANCE DU PRODUIT.

Pour un centre de réparation agréé Caloric™, veuillez nous contacter au : 1-844-455-3474 ext. 2 ou service@caloricappliances.ca

Nous faisons tout notre possible pour nous assurer que les informations fournies sont complètes et exactes, cependant, les images et les spécifications peuvent être modifiées sans préavis. Visitez notre site Web à www.caloricappliances.ca pour la dernière version de ce manuel.



Au Canada, Caloric™ est une marque déposée de J.A.K. North America Inc.

Les informations contenues dans ce document sont sujettes à modification sans préavis. Veuillez contacter votre revendeur local pour obtenir des informations actualisées.

Avertissement

Inspectez soigneusement tous les articles pour détecter tout dommage avant d'accepter la livraison. Signalez et photographiez tout dommage au carton extérieur, au contenu ou à l'article au transporteur et consignez-le sur la facture de transport ou le bon de livraison. Demandez le nom et la signature de l'agent du transporteur et conservez une copie pour appuyer votre réclamation. Dès l'acceptation des articles, le propriétaire assume la responsabilité de leur bonne réception. Signalez les dommages au transporteur et déposez immédiatement une réclamation. Si vous omettez de le faire, votre réclamation pourrait être rejetée. Le transporteur vous fournira les formulaires nécessaires pour déposer une réclamation.

Veillez inspecter soigneusement le contenu du ou des colis à la réception ! Les dommages causés pendant le transport ne sont pas couverts par notre garantie. Veuillez contacter votre revendeur pour obtenir de l'aide supplémentaire concernant la déclaration des dommages liés au transport.

Veillez à inspecter la hotte pour détecter les dommages et les défauts, et testez également le fonctionnement de la hotte avant l'installation. Les défauts d'apparence de la hotte constatés après l'installation et n'affectant pas les performances de la hotte ne sont pas couverts par notre garantie de retour ou d'échange. Les visites de service ne sont pas couvertes par la garantie.

Si vous avez besoin de pièces de rechange, nous vous recommandons d'utiliser uniquement des pièces d'origine. Nos accessoires et pièces sont conçus et fabriqués spécifiquement pour cette série de hottes de ventilation, et chacun d'entre eux est rigoureusement testé pour assurer une durabilité et une fiabilité optimales, offrant une esthétique et une fonctionnalité adaptées à chaque modèle de hotte de ventilation.



Nous faisons tout notre possible pour nous assurer que les informations fournies sont complètes et exactes, cependant, les images et les spécifications peuvent être modifiées sans préavis. Visitez notre site Web à www.caloricappliances.ca pour la dernière version de ce manuel.

Pour un centre de réparation agréé Caloric™, veuillez nous contacter au : 1-844-455-3474 ext. 2 ou service@caloricappliances.ca

Au Canada, Caloric™ est une marque déposée de J.A.K. North America Inc.

CVWSV30F-SS Rev.001