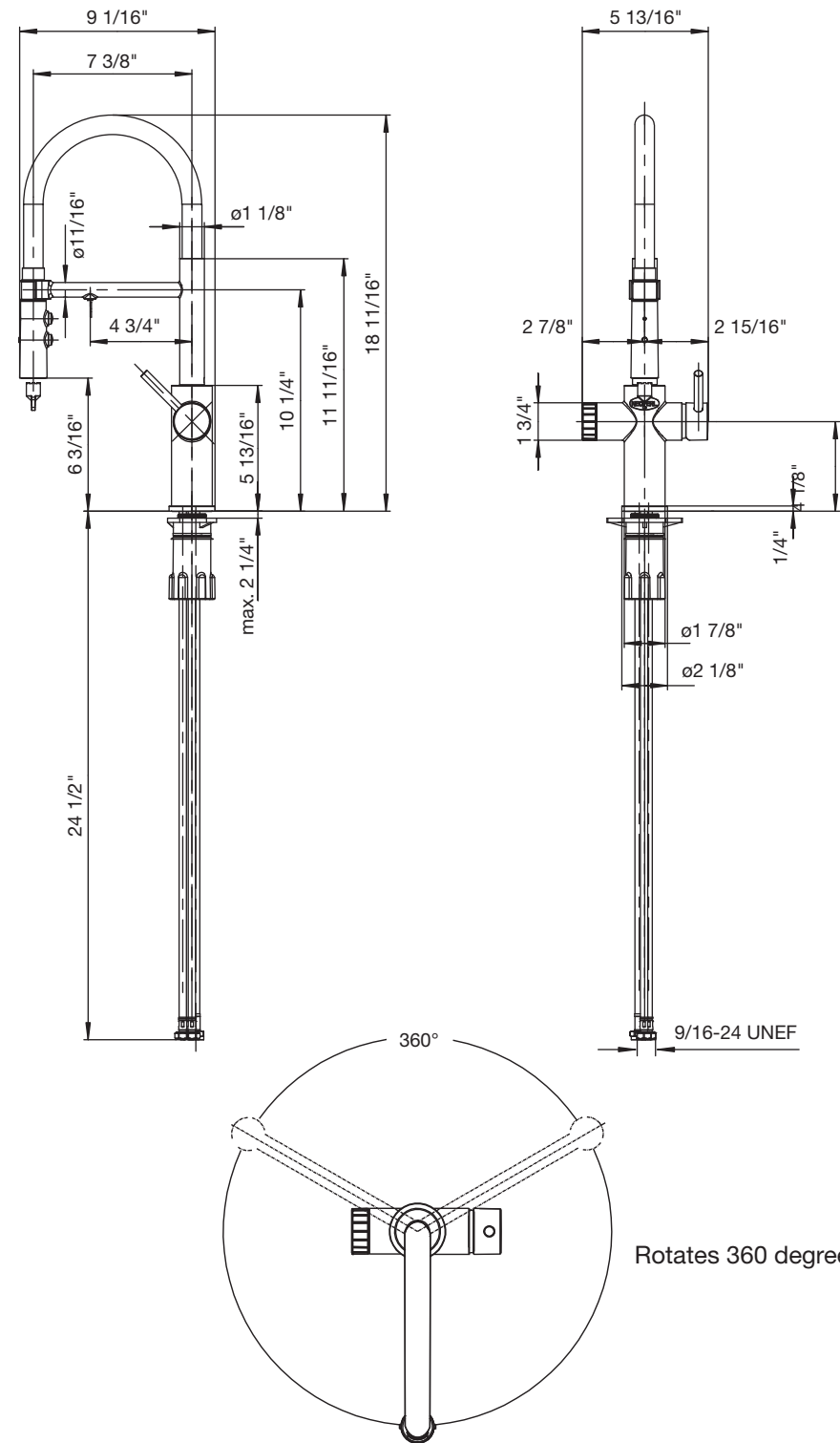


## CATRIS Flexo Filter



BLANCO CANADA INC. and BLANCO AMERICA INC. are subject to the terms below pleased to offer a:

- Limited Lifetime Warranty with all BLANCO faucets used in interior single-family domestic installations;
- Limited 10 Year Warranty with all BLANCO faucets used in interior multi-residential and rental housing installations; and
- Limited 5 Year Warranty with all BLANCO faucets used for commercial purposes in interior installations.

BLANCO warrants its faucets to be free from all proven manufacturing defects in material and workmanship. BLANCO will repair or replace at no charge, excluding labor and freight, any faucet supplied by BLANCO that is proven to be defective under normal use.

### LIMITED WARRANTY FOR COMPONENTS SUBJECT TO ORDINARY WEAR AND TEAR

- Limited 10 Year Warranty for all (i) mechanical components such as handles, cartridges, sprayheads, spray hoses, aerators and (ii) electronic faucets and components (batteries are excluded) used in interior single-family domestic installations and interior multi-residential and rental housing installations.
- Limited 5 Year Warranty for all (i) mechanical components such as handles, cartridges, spray heads, spray hoses, aerators and (ii) electronic faucets and components (batteries are excluded) used for commercial purposes in interior installations.

### WARRANTY EXCLUSIONS AND OTHER TERMS

BLANCO shall not be liable in case of: (A) improper installation or modification, damages resulting from abuse, such as heavy impact or dropped objects, improper care or maintenance, improper applications (such as exposure to corrosive chemicals, photographic solutions, etc.), and any modifications made to the product after it left BLANCO premises; (B) wear and tear, including chips, scratches and stains that can occur under normal use; or (C) loss or damage to any person or property whatsoever resulting from a defective product.

All transportation costs to and from the point of purchase, labor, removal and reinstallation will be the responsibility of the purchaser.

For greater clarity, accessories that accompany the sink (strainers, waste fittings, waste chutes etc.) are under separate product-specific warranties.

TO THE EXTENT NOT PROHIBITED BY LAW, NO OTHER WARRANTY, WHETHER EXPRESS, IMPLIED, OR STATUTORY, INCLUDING ANY WARRANTY OF MERCHANTABILITY OR FITNESS FOR A PARTICULAR PURPOSE SHALL BE DEEMED TO EXIST IN CONNECTION WITH ANY OF THE GOODS OR SERVICES SUPPLIED HEREUNDER, AND ALL IMPLIED WARRANTIES, INCLUDING ANY IMPLIED WARRANTIES FOR A PERIOD GREATER THAN THE WARRANTY PERIOD CONTAINED IN BLANCO'S LIMITED WARRANTY, ARE HEREBY EXCLUDED. BLANCO SHALL NOT BE LIABLE FOR ANY INDIRECT, INCIDENTAL, SPECIAL OR CONSEQUENTIAL DAMAGES IN ANY WAY RELATED TO THE GOODS OR SERVICES SUPPLIED HEREUNDER. THE REMEDIES DESCRIBED IN THIS WARRANTY ARE YOUR SOLE AND EXCLUSIVE REMEDIES AND OUR ENTIRE LIABILITY FOR ANY BREACH OF THIS WARRANTY.

THIS WARRANTY GIVES YOU SPECIFIC LEGAL RIGHTS, AND YOU MAY ALSO HAVE OTHER RIGHTS WHICH VARY FROM JURISDICTION TO JURISDICTION. SOME PROVINCES, STATES OR OTHER JURISDICTIONS DO NOT ALLOW THE EXCLUSION OR LIMITATION OF IMPLIED WARRANTIES OR OF INCIDENTAL OR CONSEQUENTIAL DAMAGES, SO THE ABOVE LIMITATIONS OR EXCLUSIONS RELATING TO IMPLIED WARRANTIES, OR INCIDENTAL OR CONSEQUENTIAL DAMAGES MAY NOT APPLY TO YOU.

This warranty applies only to the products sold and installed in Canada and the U.S.A. Blanco Canada Inc. will be responsible for this warranty for products sold and installed in Canada and Blanco America, Inc. will be responsible for this warranty for products sold and installed in the U.S.A. This warranty supersedes all previous warranties for any BLANCO sink, faucet, accessory, soap dispenser, and repair part in the U.S.A and Canada. This is BLANCO's exclusive written warranty and the warranty is not transferable without the prior written consent of Blanco, in its sole and absolute discretion.

To obtain warranty service, please visit the support section on our website [www.blanco.com](http://www.blanco.com).

## BLANCO CATRIS Flexo Filter

EN



124 297 01/2023

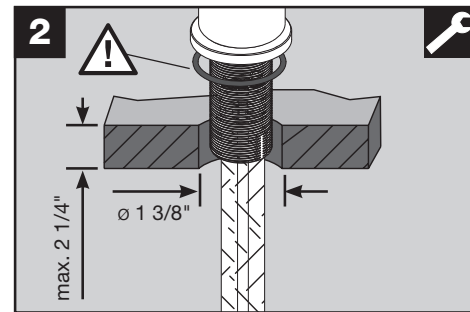
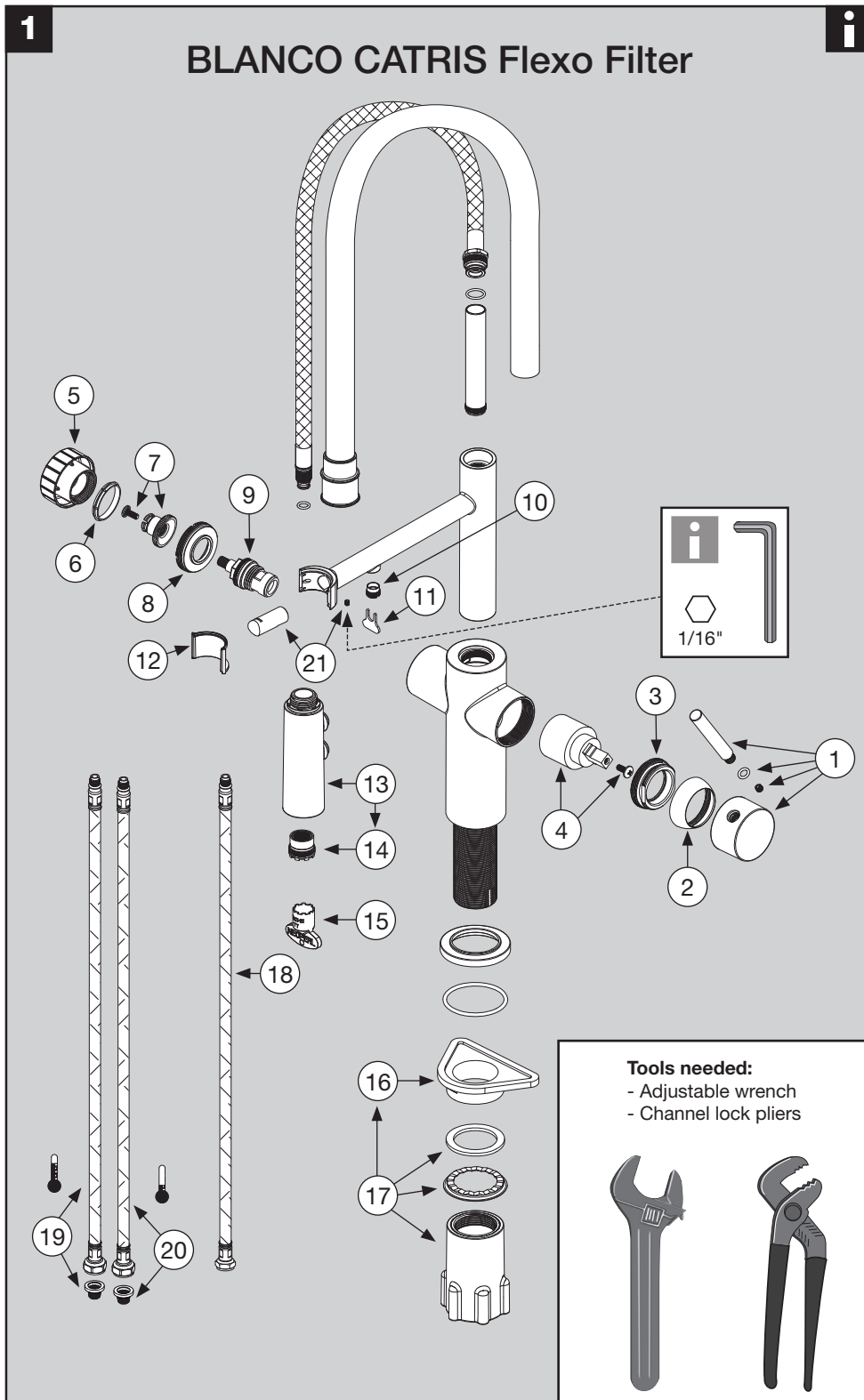
# BLANCO

[www.blanco.com](http://www.blanco.com)  
[cc.na@blanco.com](mailto:cc.na@blanco.com)

BLANCO America Inc.  
110 Mount Holly Bypass,  
Lumberton, New Jersey 08048  
Toll free phone: 1-800-451-5782  
Toll free fax: 1-800-213-1963

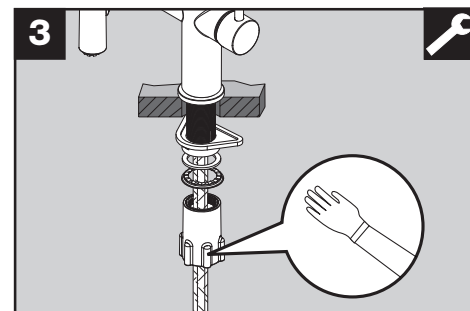
BLANCO Canada Inc.  
100 Corporation Drive  
Brampton, Ontario L6S 6B5  
Toll free phone: 1-877-425-2626  
Toll free fax: 1-877-825-2626

<p><b>max. temperature</b> 70 °C (158 °F)</p>	<p><b>max. pressure</b> 10 bars (145 psi)</p>	<p>After installation, please pass these instructions on to the end customer.</p>	<p><b>WARNING</b> <b>Magnetic Field.</b> Can be harmful to pacemaker wearers. Pacemaker wearers stay back 25 cm (10 in).</p>
---	---	---	--



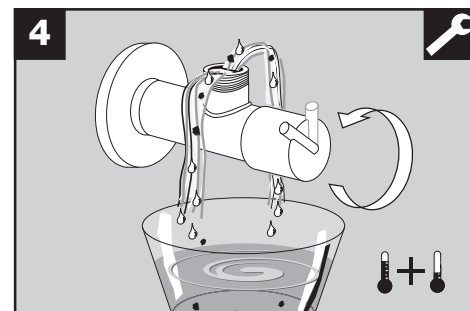
### INSTALLATION

Place faucet through 1-3/8" hole. Take care that the O-Ring on the upper sink/countertop side is in its correct position.

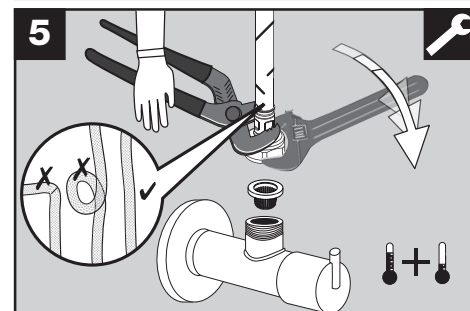


Secure faucet to sink/countertop using mounting hardware.

The proper sequence of hardware is triangular reinforcement base (16), rubber washer, metal washer, mounting nut (17).

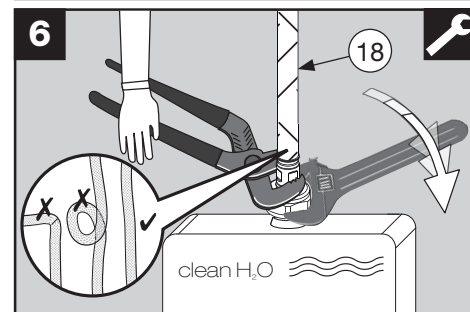


Before connecting supply lines to the water valves, flush each water valve to remove dirt and particles that can affect the functioning of the faucet and void warranty.



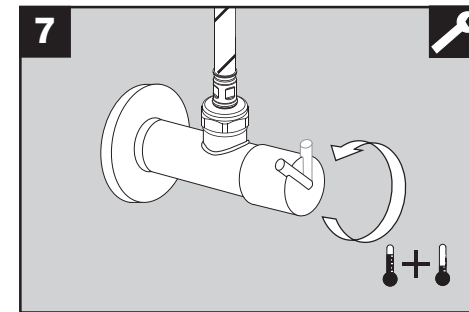
Connect hot supply line (19 – red) and cold supply line (20 – blue) to hot and cold water valves.

Hold line while tightening nut to prevent line from twisting. Do not over tighten.

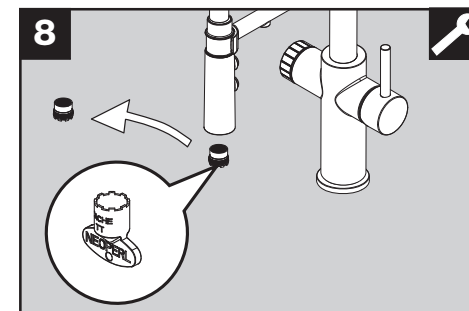


Connect supply line for filtered water (18) to water filter.

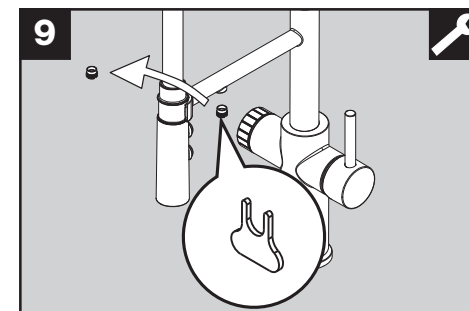
Hold line while tightening nut to prevent line from twisting. Do not over tighten.



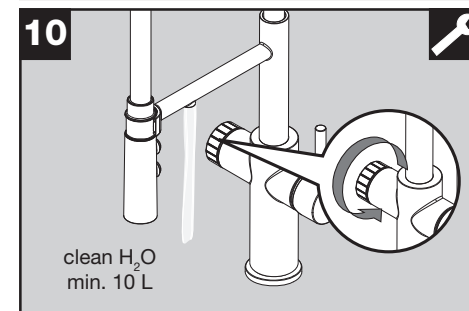
Open water valves slowly.



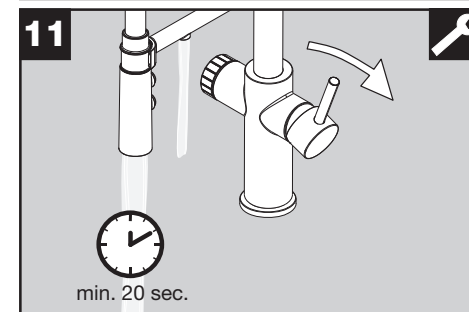
Remove aerator for standard water (14) with special key (15).



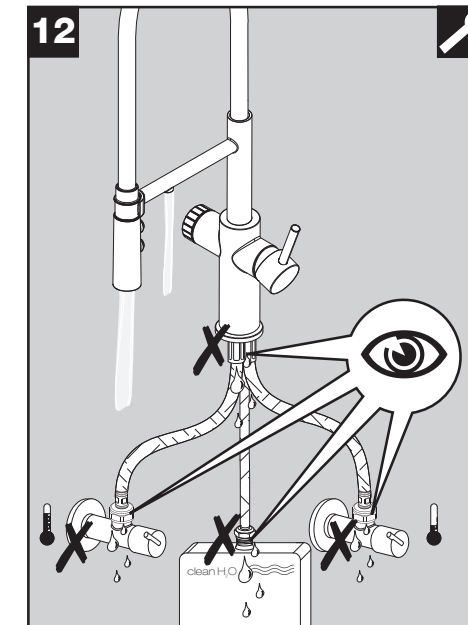
Also remove aerator for filtered water (10) with special key (11).



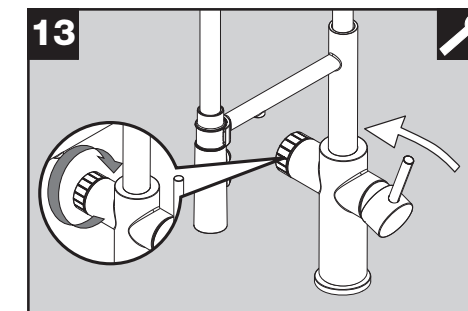
Open the valve for filtered water and tap at least 10 liters (approx. 3 gallons) of water to flush the filter.



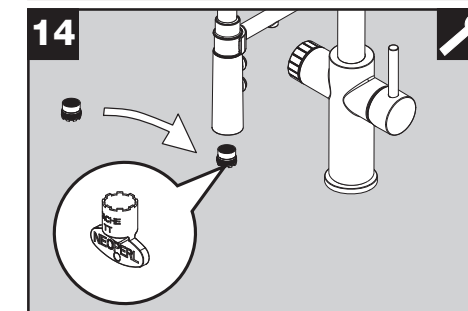
Open the standard water lever and flush for at least 20 seconds the lines and the faucet.



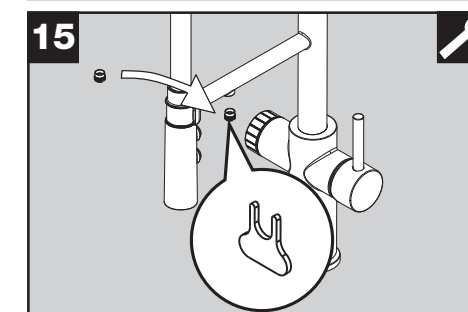
Double check all connections for leaks.



Shut off the water valves.



Reinstall the aerator for standard water.



Reinstall the aerator for filtered water.