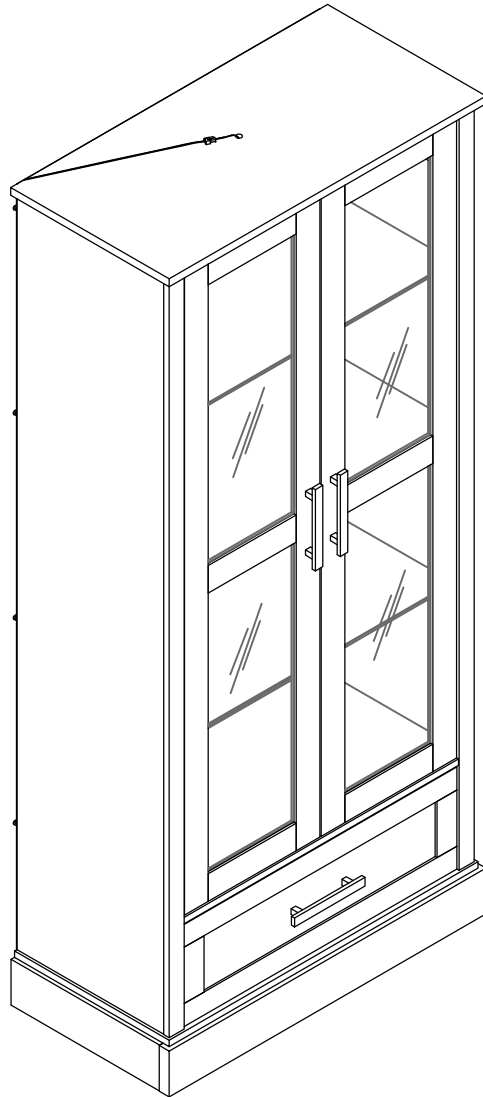


# 2754926COM Curio Cabinet with Drawer

**Ameriwood**  
HOME

Date of Purchase \_\_\_ / \_\_\_ / \_\_\_  
Lot Number:

**B342754926COM00GO**



THIS INSTRUCTION BOOKLET CONTAINS **IMPORTANT** SAFETY INFORMATION. PLEASE READ AND KEEP FOR FUTURE REFERENCE.

### Do Not Return This Product!

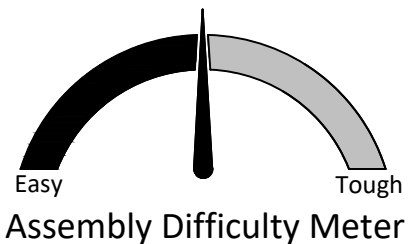
Contact our customer service team for help first.

**Call:** 1-800-489-3351 (toll free)

**Visit:** [www.ameriwoodhome.com](http://www.ameriwoodhome.com)

## **WARNING**

- Unit can tip over causing severe injury or death.
- Anchor unit to stud in wall (if instructed to).
- Do Not allow children to climb on unit.
- Put heavy items on lower shelves or drawers.



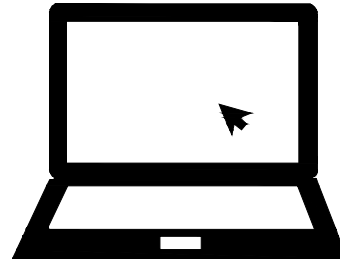
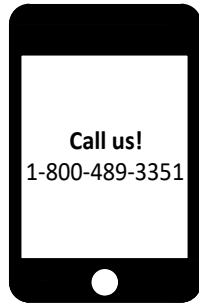
Follow Ameriwood Home



# Contact Us!

## Do NOT return this product!

Contact our friendly customer service team first for help.

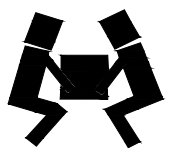


Visit [ameriwoodhome.com](http://ameriwoodhome.com)

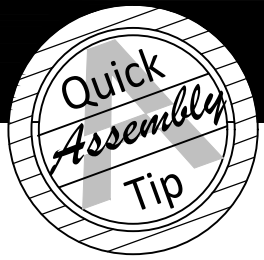
# Helpful Hints

PEOPLE NEEDED FOR ASSEMBLY: 2

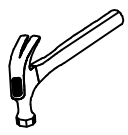
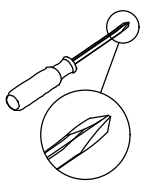
- Open your item in the area you plan to keep it to avoid excessive heavy lifting.
- Identify, sort and count the parts before attempting assembly.
- Wood dowels are lightly tapped in with a hammer.
- Make sure to always face the point on the top of the Cam Lock towards the outer edge.
- Do NOT use harsh chemicals or abrasive cleaners on this item.
- Never push, pull, or drag your furniture.



## Before You Start

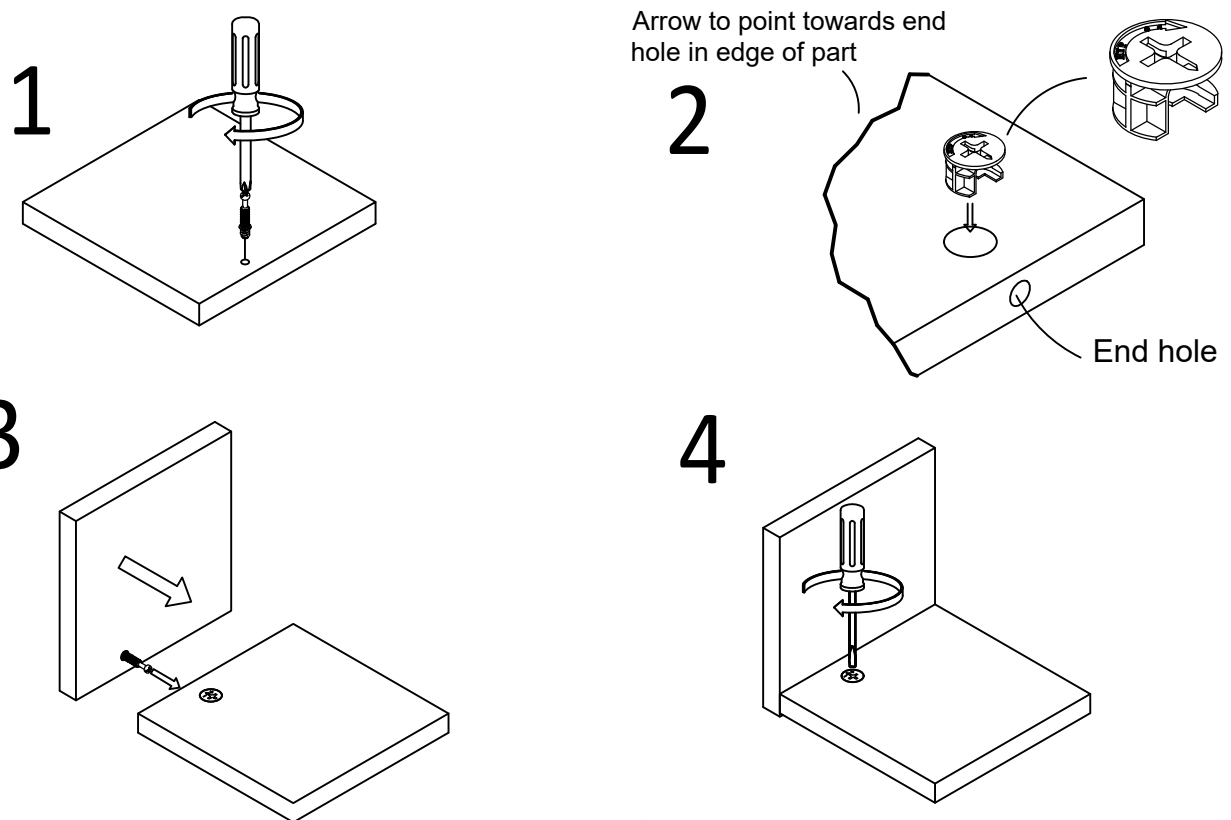


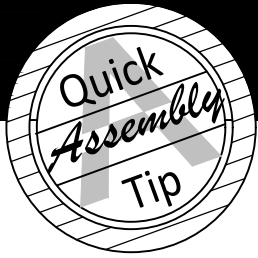
- ✓ Read through each step carefully and follow the proper order
- ✓ Separate and count all your parts and hardware
- ✓ Give yourself enough room for the assembly process
- ✓ Have the following tools: #2 Phillips Head Screwdriver and Hammer
- ✓ Caution: If using a power drill or power screwdriver for screwing, please be aware to slow down and stop when screw is tight. Failure to do so may result in stripping the screw.



## Cam Lock Fastening System

This Cam Lock Fastening System will be used throughout the assembly process.

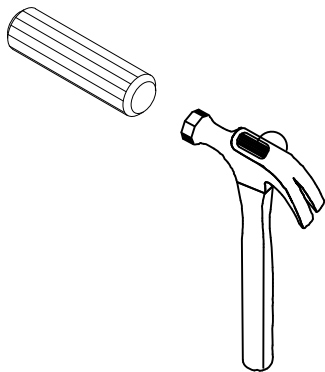




## Before You Start

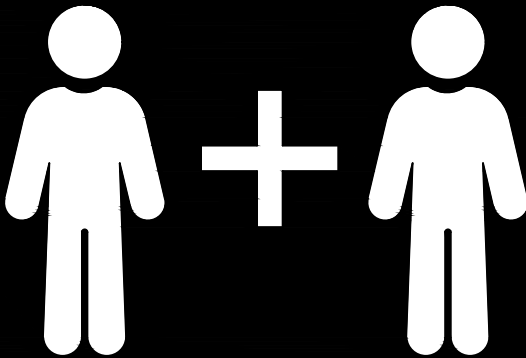
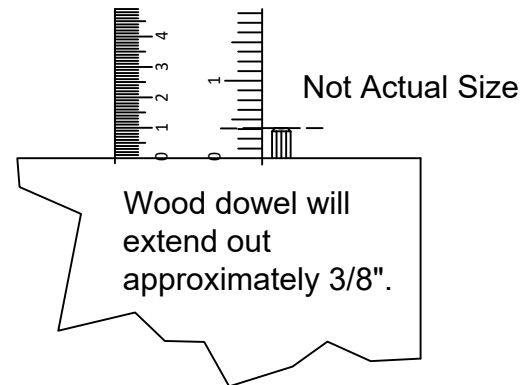
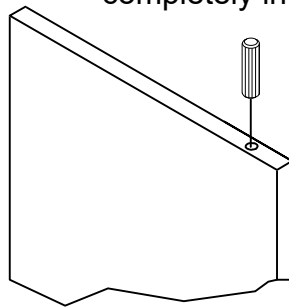
### Please Note:

You may need to **lightly tap** the wood dowels with a hammer into the holes during your assembly process.



### Wood Dowel Insertion:

Insert wood dowel completely into the hole.



**2 PEOPLE NEEDED FOR ASSEMBLY**

**2 PERSONAS NECESITADAS  
PARA LA ASAMBLEA**

**2 PERSONNES NÉCESSAIRES  
POUR L'ASSEMBLAGE**

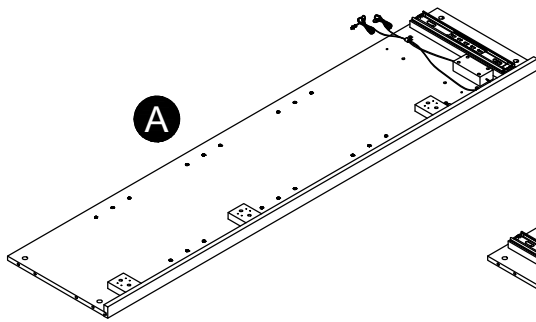
**CAUTION:** Failure to use 2 people for assembly could result in unit damage or personal injury.

**PRECAUCION:** Si no se utilizan 2 personas para el ensamblaje, se pueden producir daños en la unidad o lesiones personales.

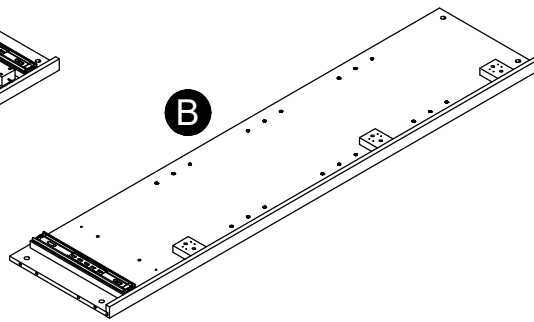
**ATTENTION:** Echec d'utiliser 2 personnes pour l'assemblage peut causer du dommage à l'ameuble ou causer des blessures.

# Board Identification

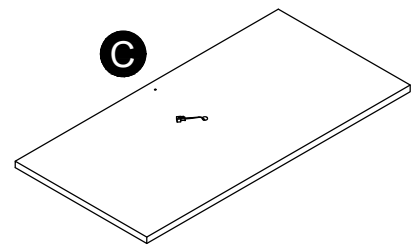
Not Actual Size



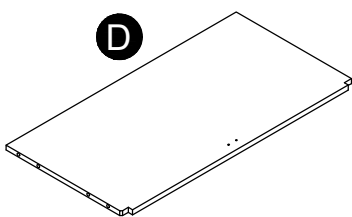
**A**  
Left Panel  
1 PC



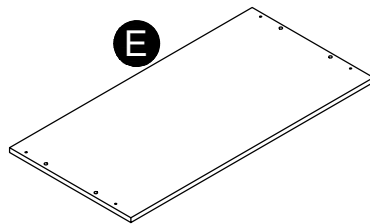
**B**  
Right Panel  
1 PC



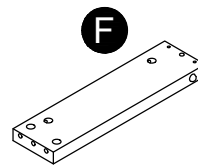
**C**  
Top Panel  
1 PC



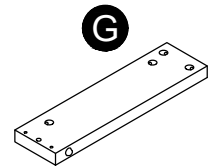
**D**  
Fixed shelf  
1 PC



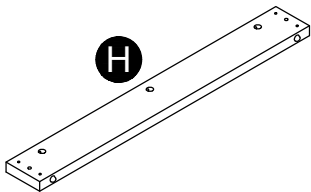
**E**  
Bottom Panel  
1 PC



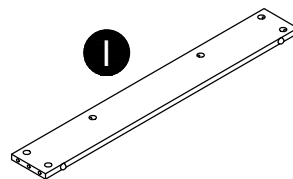
**F**  
Left Skirt  
1 PC



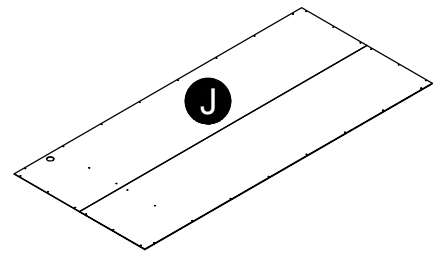
**G**  
Right Skirt  
1 PC



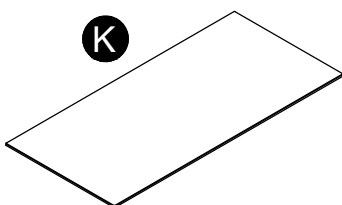
**H**  
Front Skirt  
1 PC



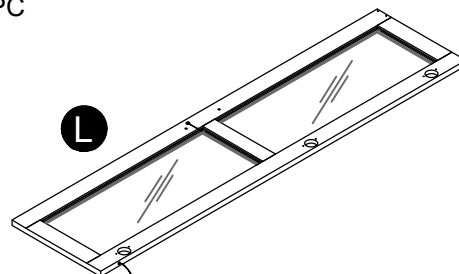
**I**  
Rear Skirt  
1 PC



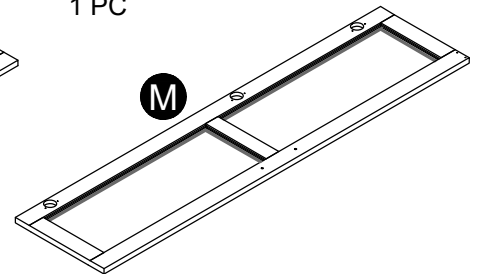
**J**  
Back Panel  
1 PC



**K**  
Adjustable Glass Shelves  
3 PCS



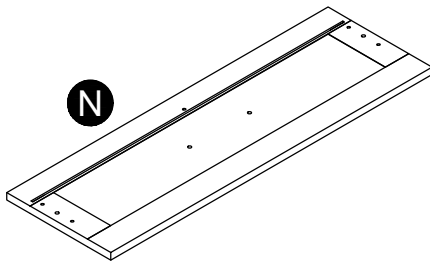
**L**  
Left Door  
1 PC



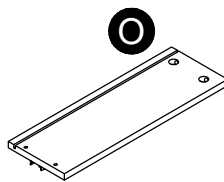
**M**  
Right Door  
1 PC

# Board Identification

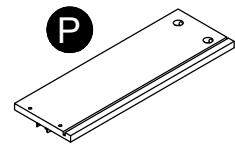
Not Actual Size



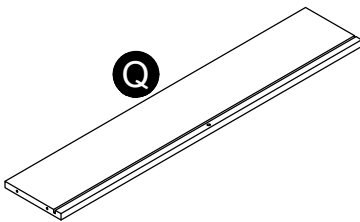
Drawer Front  
1 PC



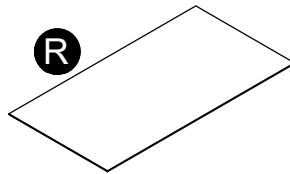
Drawer Side Left  
1 PC



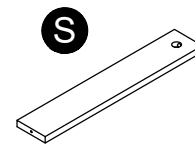
Drawer Side Right  
1 PC



Drawer Back  
1 PC



Drawer Bottom  
1 PC

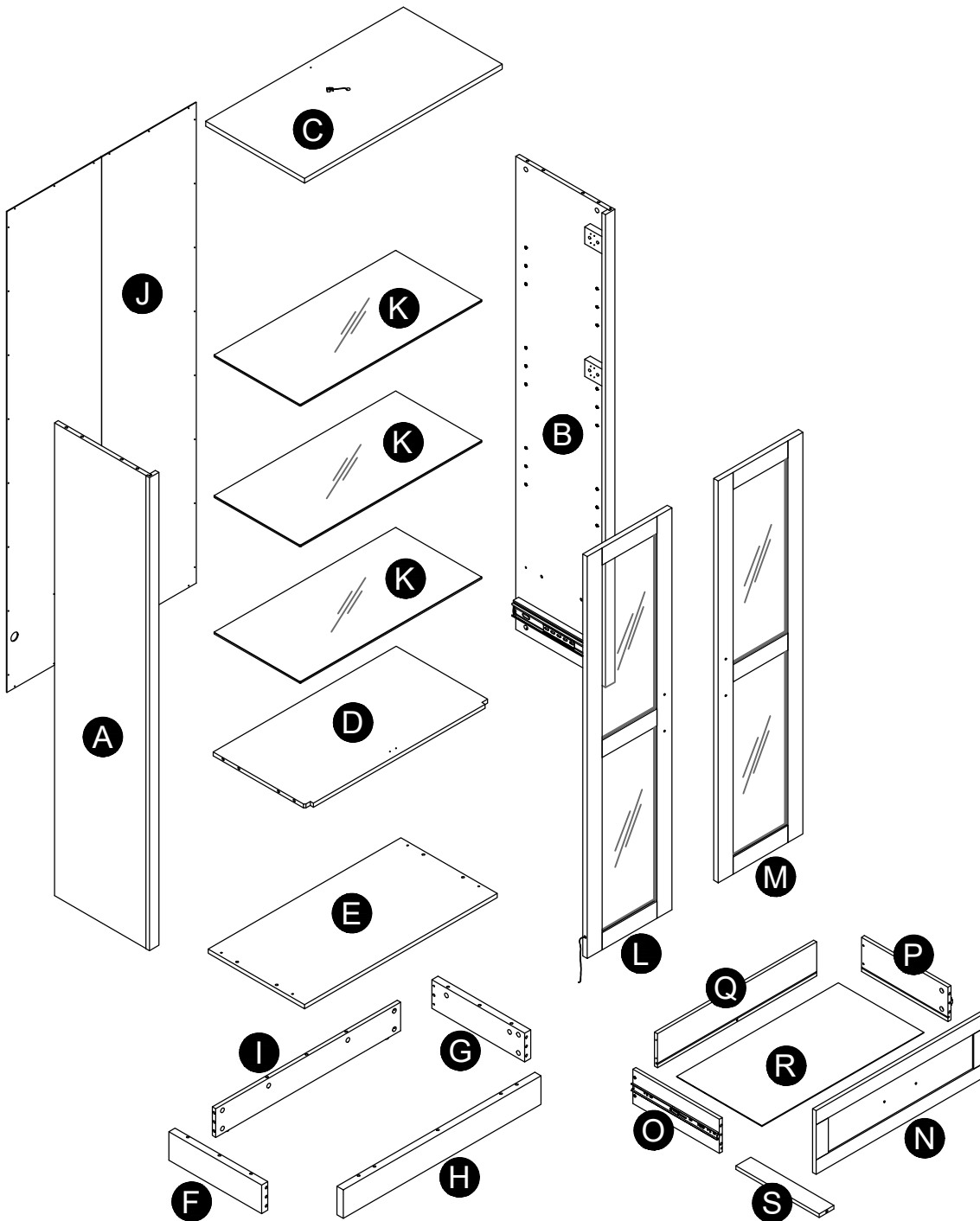


Drawer Support  
1 PC

**For any replacement  
part, see page 8.**

# Board Identification

Not Actual Size



# Part Number Reference



Each part has a unique part number. Please refer to the appropriate part number when contacting customer service for replacement parts.



Before throwing any packaging, please verify all contents and make sure you have received all the parts listed above.

LABEL	PART NAME	QUANTITY:	2754926COM (White OAK)
A	LEFT PANEL	1	T2754926010GO
B	RIGHT PANEL	1	T2754926020GO
C	TOP PANEL	1	T2754926030GO
D	FIXED SHELF	1	T2754926040GO
E	BOTTOM PANEL	1	T2754926050GO
F	LEFT SKIRT	1	T2754926060GO
G	RIGHT SKIRT	1	T2754926070GO
H	FRONT SKIRT	1	T2754926080GO
I	REAR SKIRT	1	T2754926090GO
J	BACK PANEL	1	T2754926100GO
K	ADJUSTABLE GLASS SHELVES	3	T2754926110GO
L	LEFT DOOR	1	T2754926120GO
M	RIGHT DOOR	1	T2754926130GO
N	DRAWER FRONT	1	T2754926140GO
O	DRAWER SIDE LEFT	1	T2754926150GO
P	DRAWER SIDE RIGHT	1	T2754926160GO
Q	DRAWER BACK	1	T2754926170GO
R	DRAWER BOTTOM	1	T2754926180GO
S	DRAWER SUPPORT	1	T2754926190GO

# Part List

## Actual Size

**For any replacement hardware, see page 11.**

①



(x34)

Cam Bolt  
Ø6x25 mm

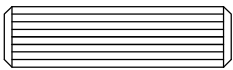
②



(x2)

Wood Dowel  
Ø6x30 mm

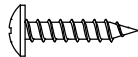
③



(x21)

Wood Dowel  
Ø8x30 mm

④



(x4)

Screw  
Ø3x15mm

⑤



(x4)

Screw  
Ø3x12 mm

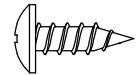
⑥



(x36)

Screw  
Ø3.5x14 mm

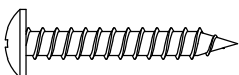
⑦



(x1)

Screw  
Ø4.2x13 mm

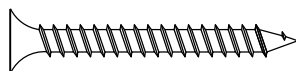
⑧



(x1)

Screw  
Ø4.2x28 mm

⑨



(x5)

Screw  
Ø4x38 mm

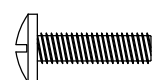
⑩



(x32)

Screw  
Ø3x15 mm

⑪



(x2)

Short Bolt  
M4x15 mm

⑫

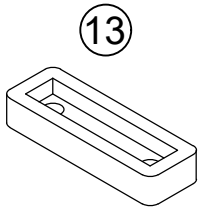


(x4)

Long Bolt  
M4x25 mm

# Part List

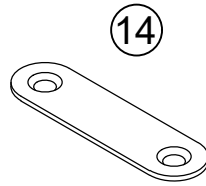
Not Actual Size



13

(x1)

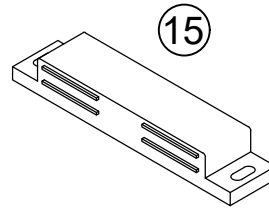
Door Stopper



14

(x2)

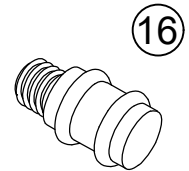
Metal Plate



15

(x1)

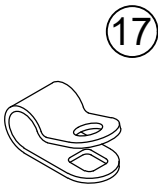
Magnetic Catch



16

(x12)

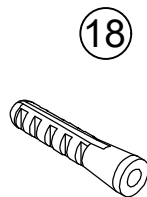
Shelf Pin



17

(x4)

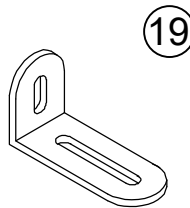
Wire Clip



18

(x1)

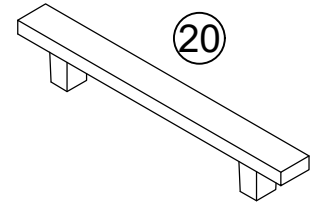
Wall Anchor  
Ø6x30 mm



19

(x1)

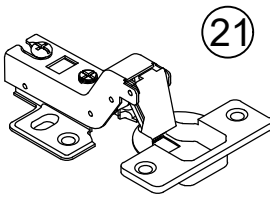
Wall Bracket  
30x50x20mm



20

(x3)

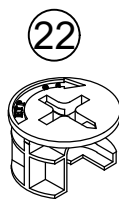
Handle  
178x19x28mm



21

(x6)

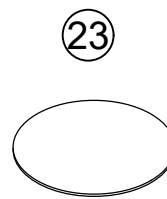
Hinge  
Ø35



22

(x34)

Cam Lock  
Ø15x10 mm  
Spare: 2 PCS



23

(x4)

Cover

# Hardware Number Reference



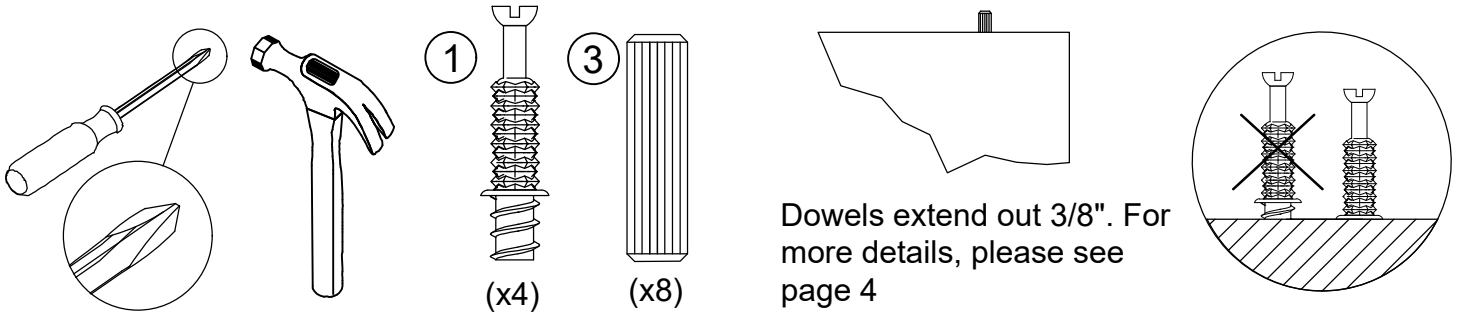
Each part has a unique part number. Please refer to the appropriate part number when contacting customer service for replacement parts.



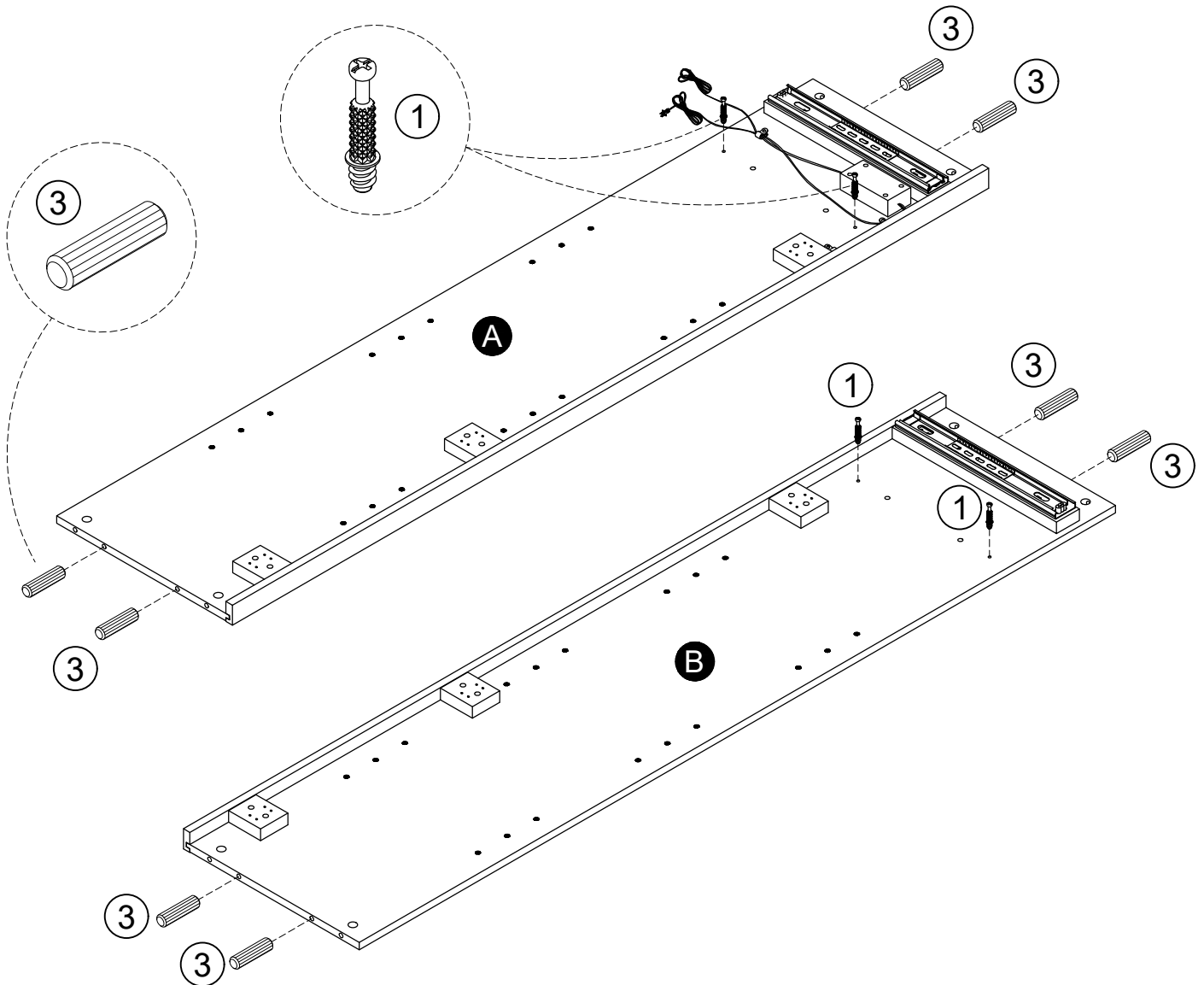
Before throwing any packaging, please verify all contents and make sure you have received all the parts listed above.

MODEL#	2754926COM
Hardware Bag Reference#:	22754926COM0GO

## STEP 1

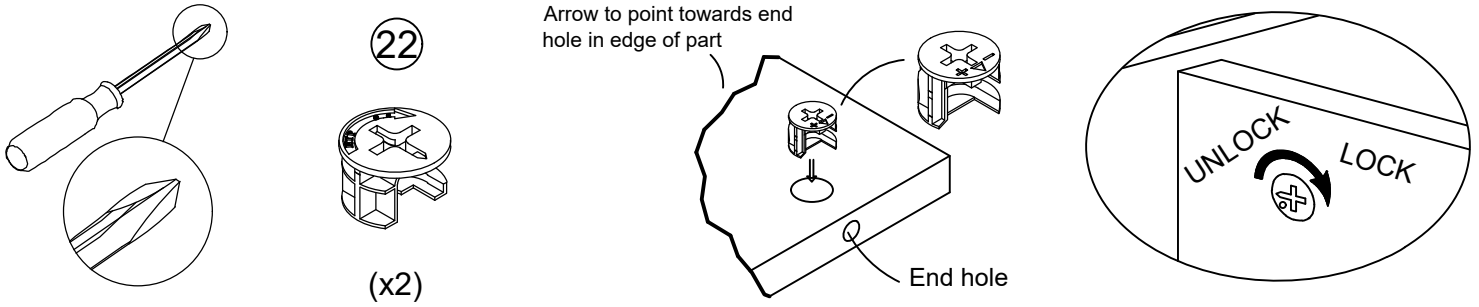


Attach 4 Cam Bolts (1) to Left Panel (A), Right Panel (B) as illustrated. Do NOT over-tighten. Insert four Wood Dowels (3) into Left Panel (A) and four Wood Dowels (3) into Right Panel (B) as illustrated.

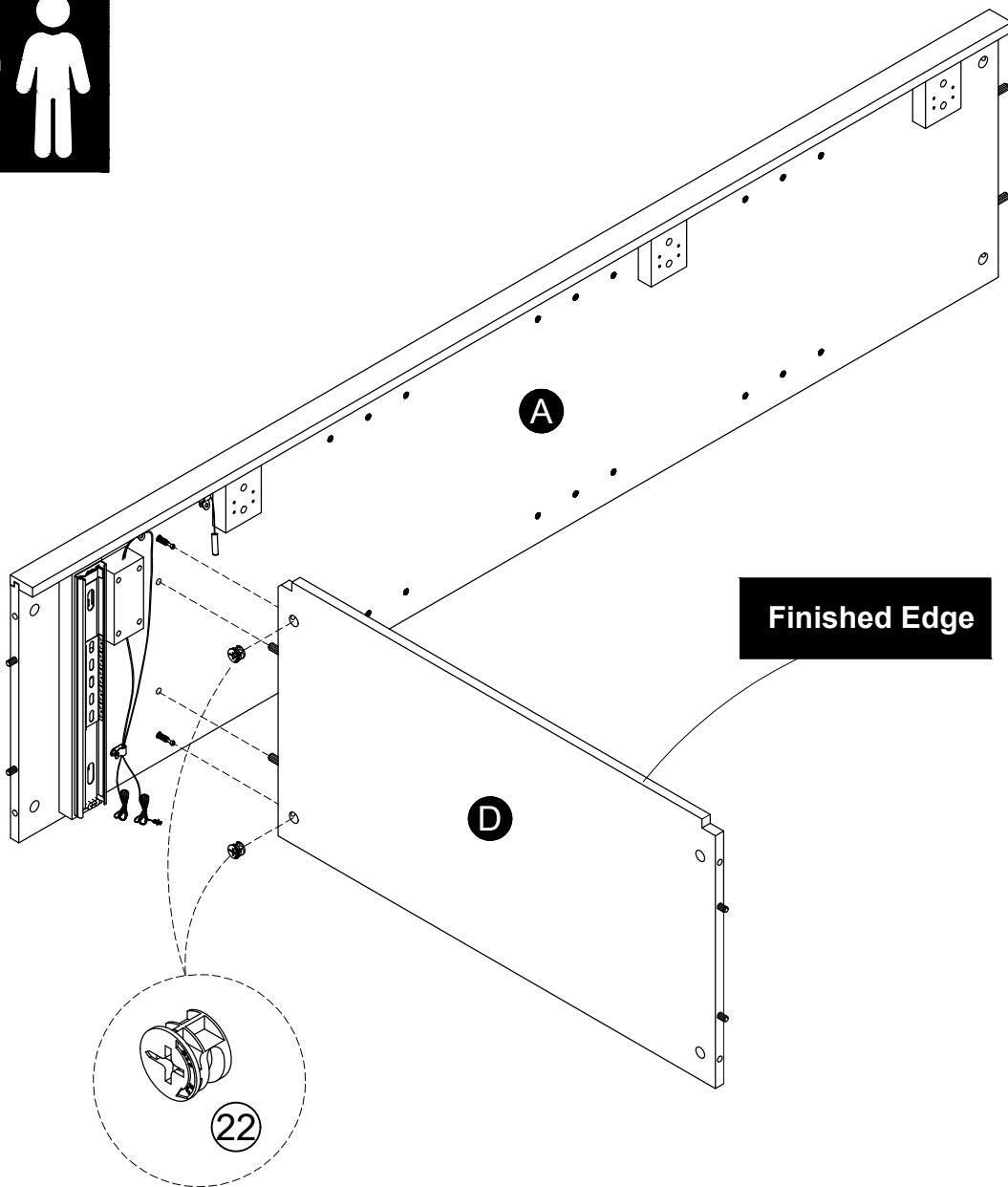
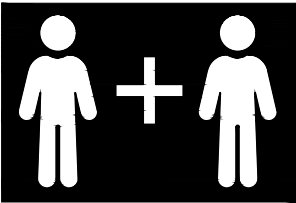




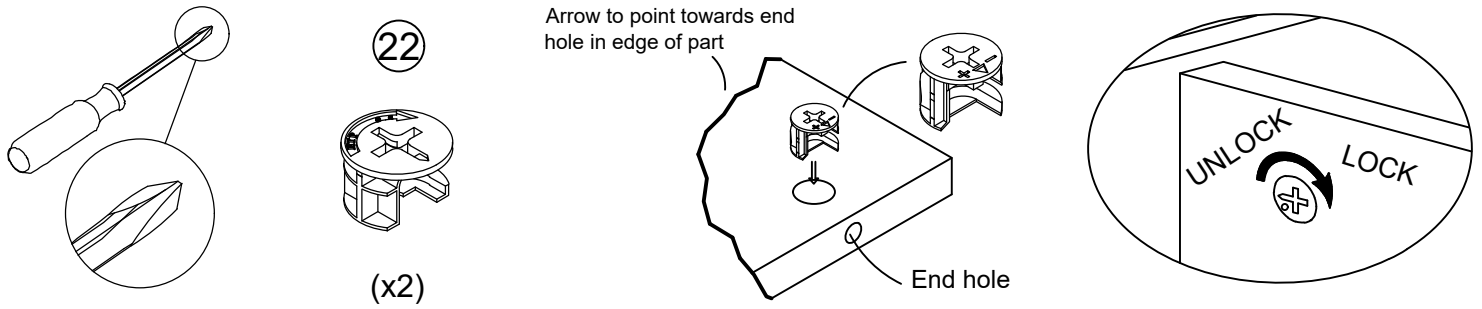
## STEP 3



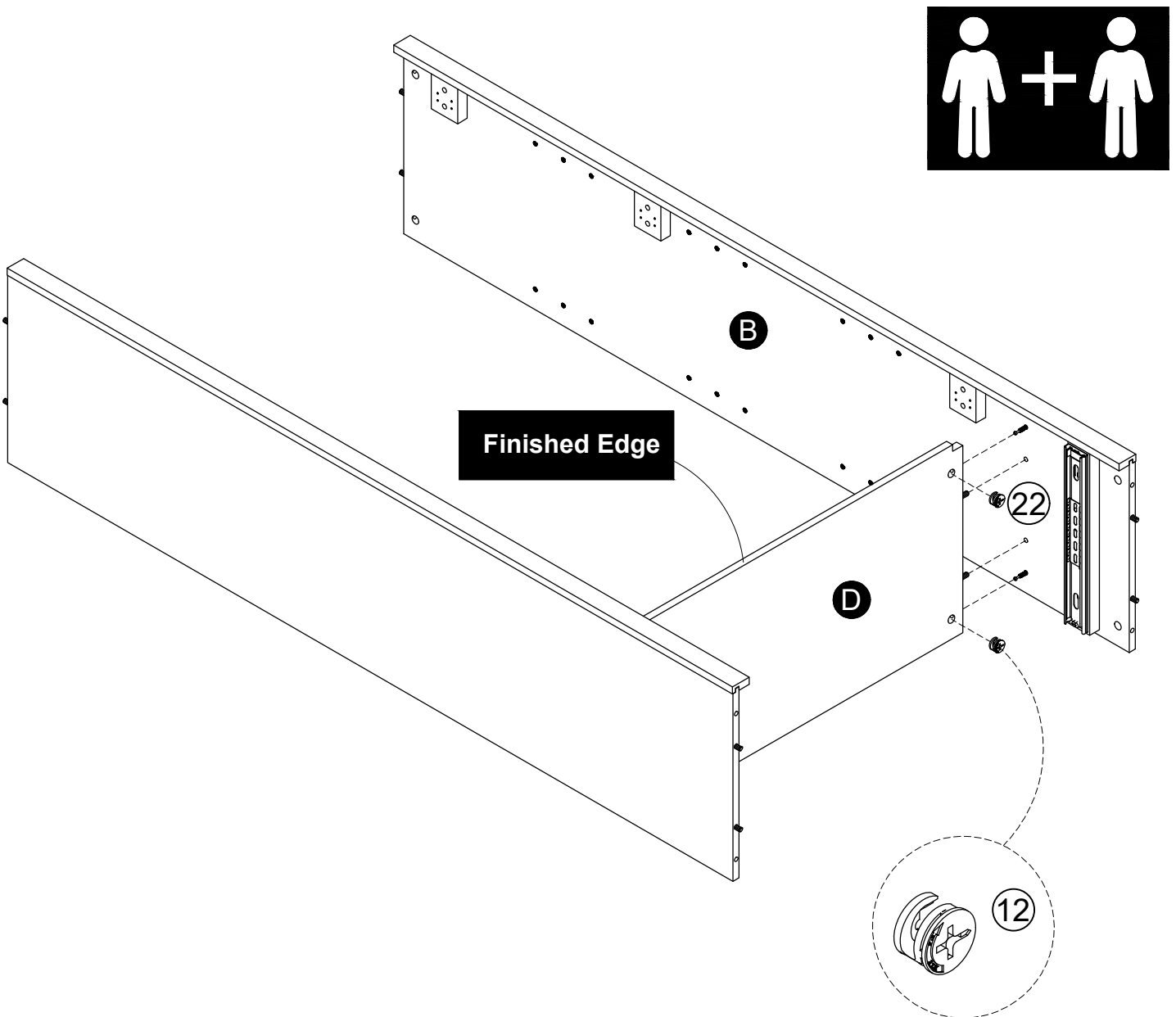
Attach Fixed shelf (D) to Left Panel (A) with 2 Cam locks (22) as illustrated.



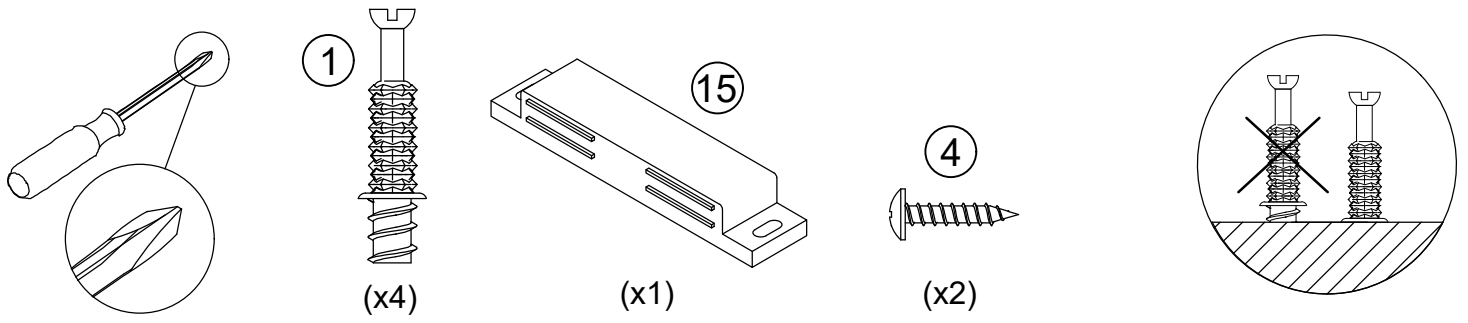
## STEP 4



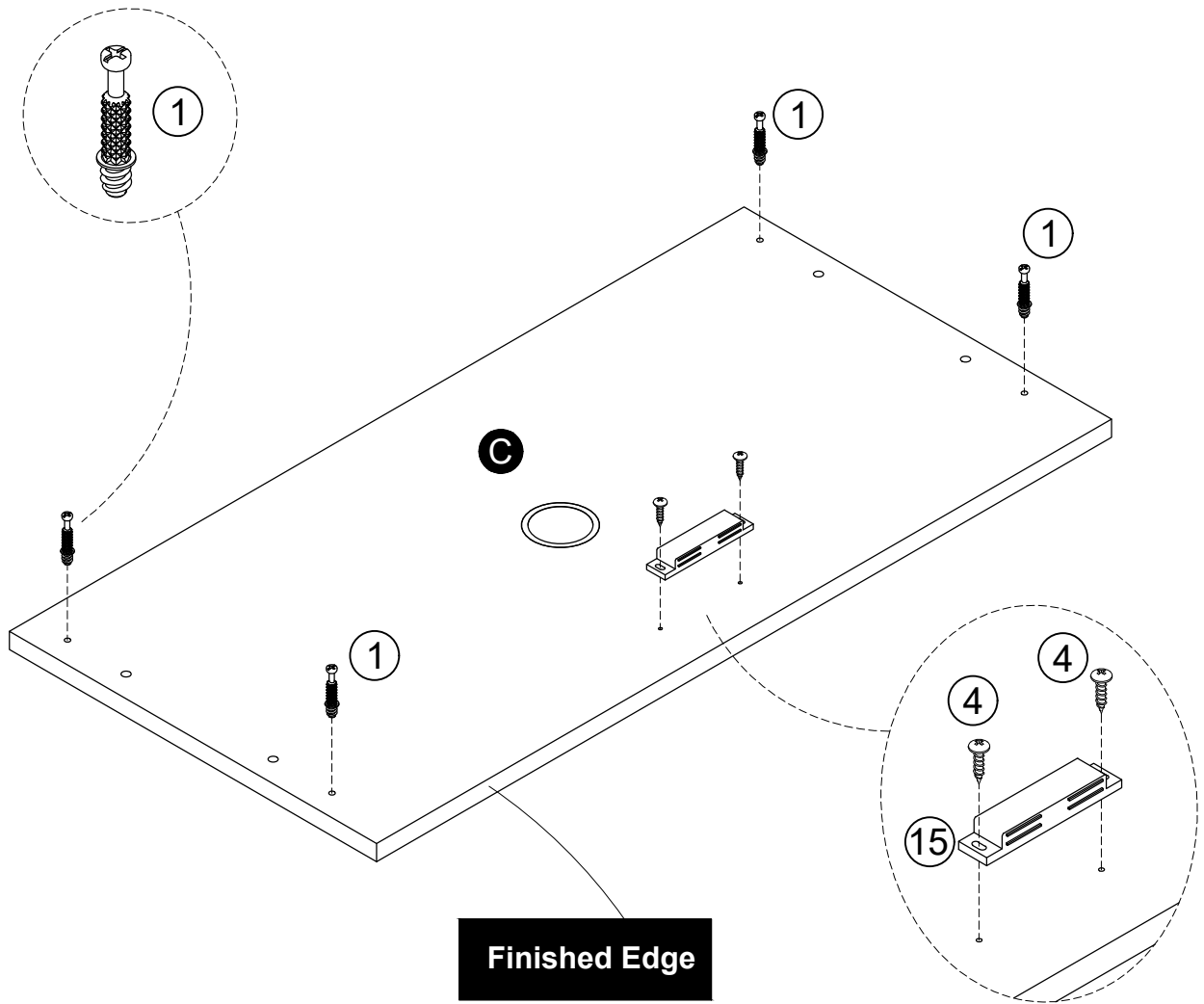
Attach Right Panel (B) to Fixed shelf (D) with 2 Cam locks (22) as illustrated.



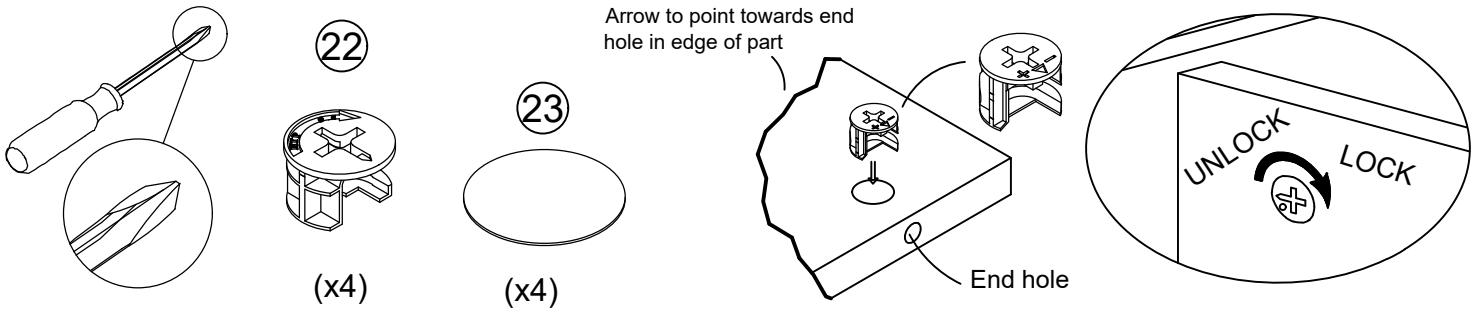
## STEP 5



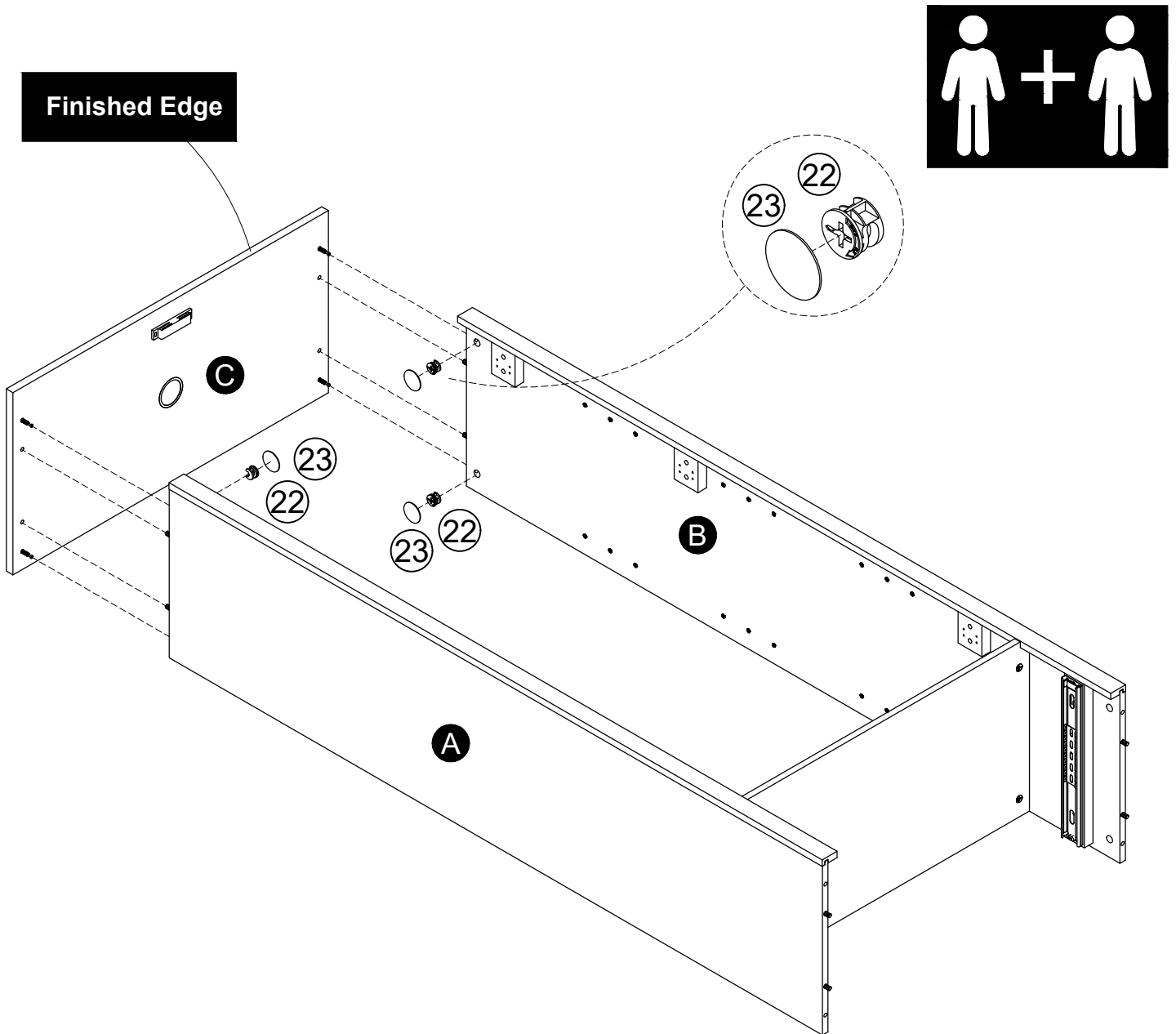
Attach 4 Cam Bolts (1) to Top Panel (C) as illustrated. Do NOT over-tighten.  
Attach Magnetic Catch (15) to Top Panel (C) with 2 Screws (4) as illustrated.



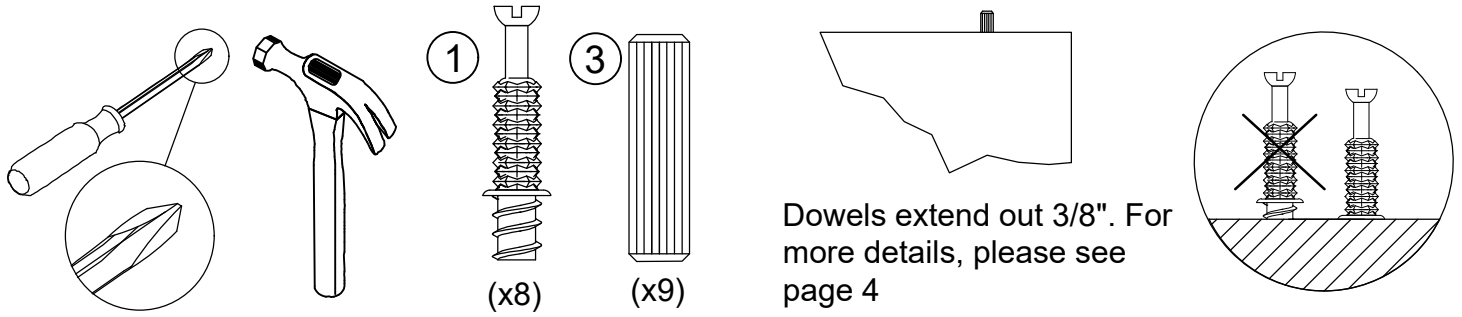
## STEP 6



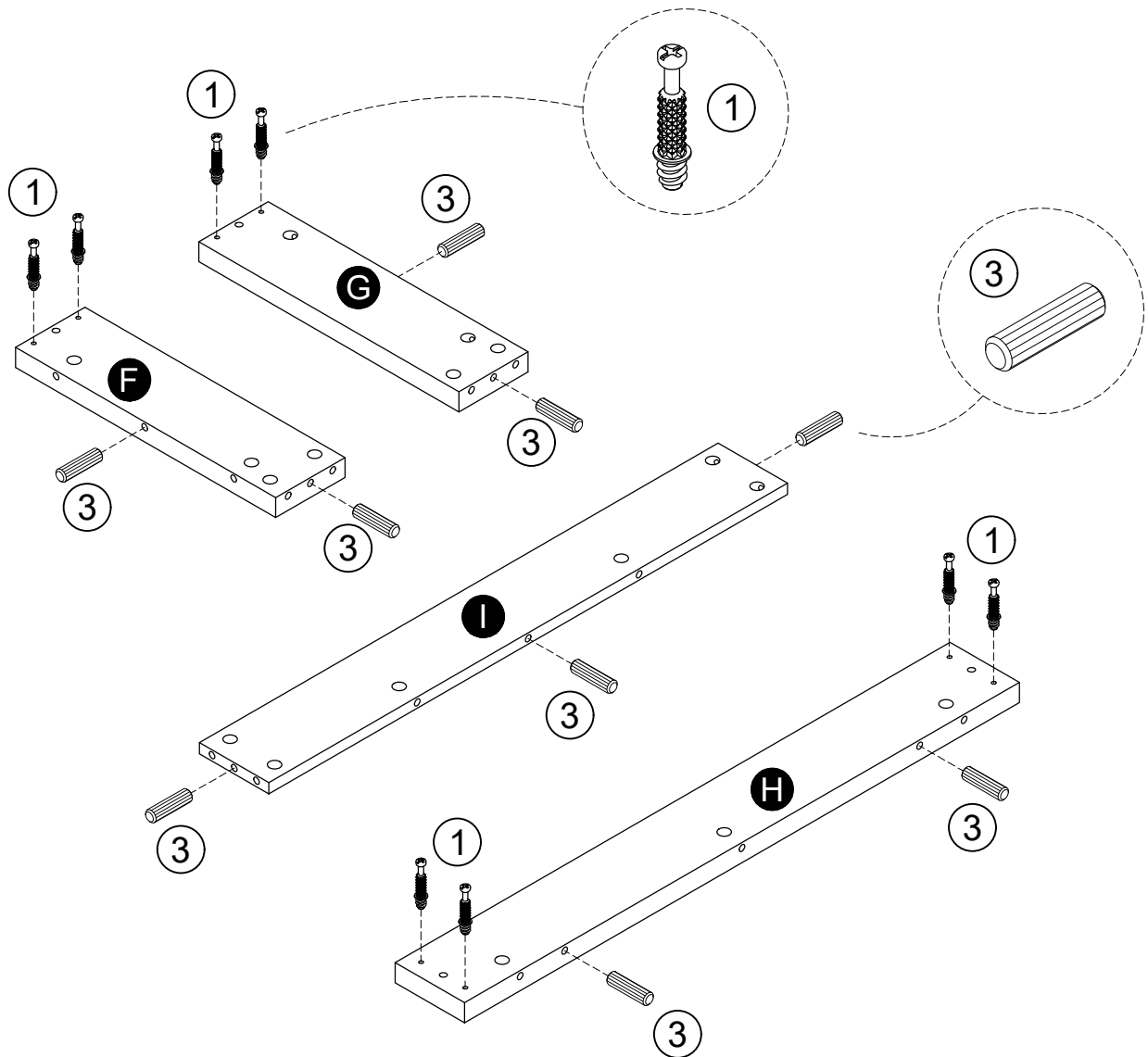
Attach Top Panel (C) to Left Panel (A), Right Panel (B) with 4 Cam locks (22) as illustrated.



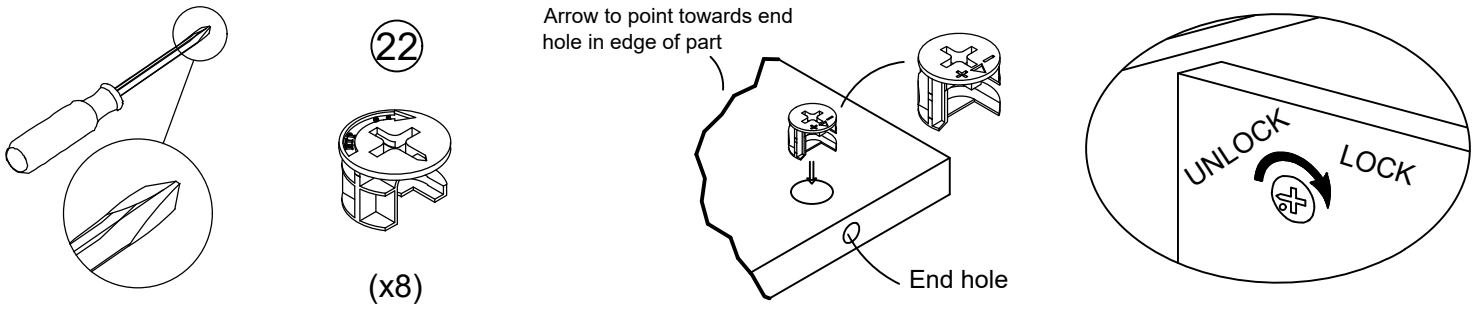
## STEP 7



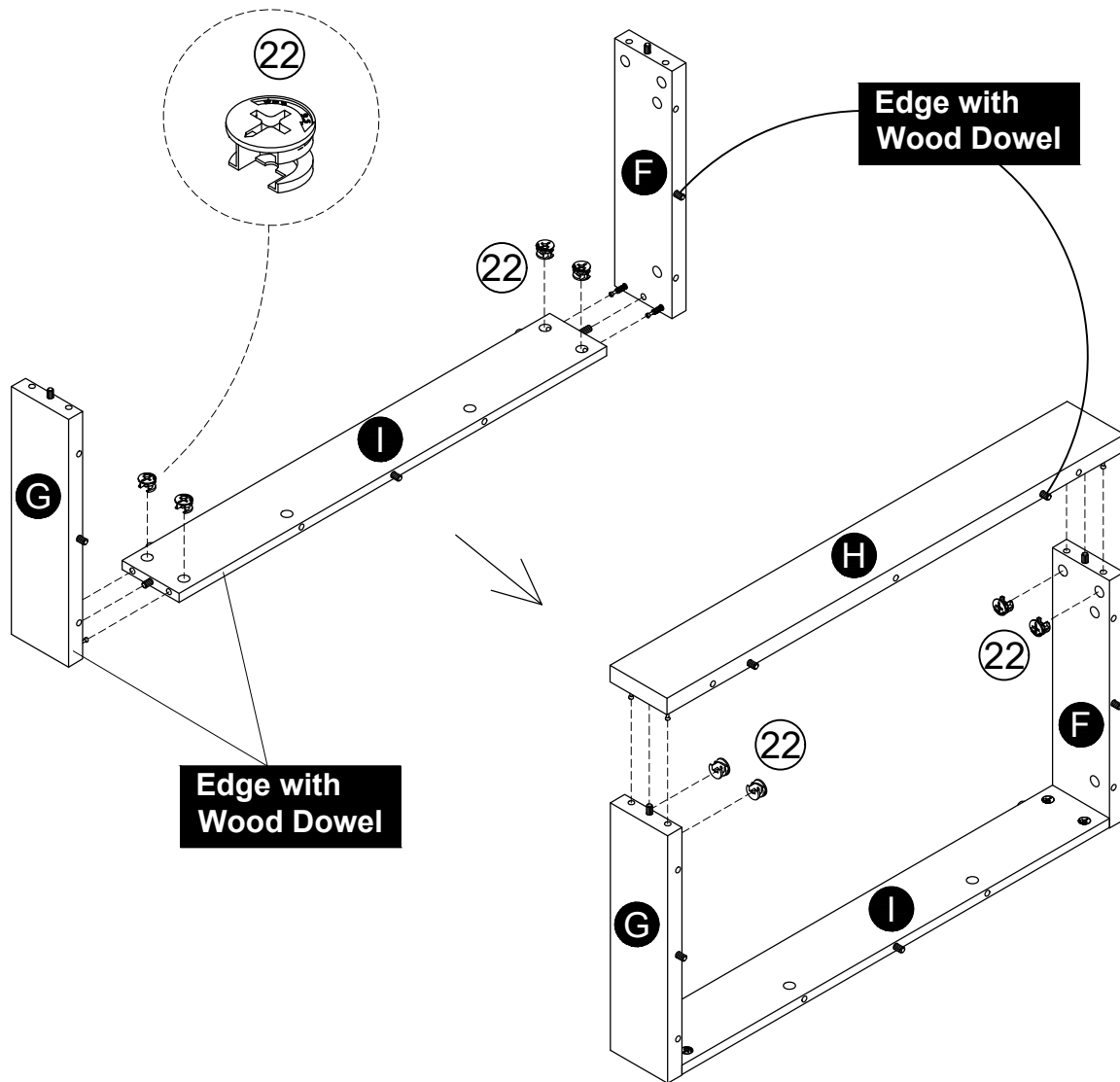
Attach 8 Cam Bolts (1) to (F), (G) and (H) as illustrated. Do NOT over-tighten. Insert 9 Wood Dowels (3) into (F), (G), (H), (I) as illustrated.



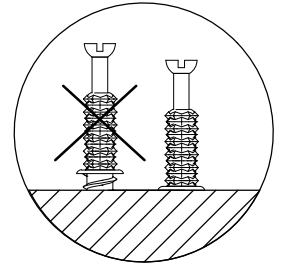
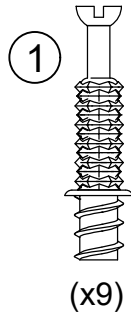
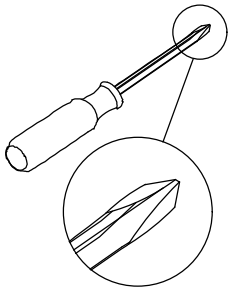
## STEP 8



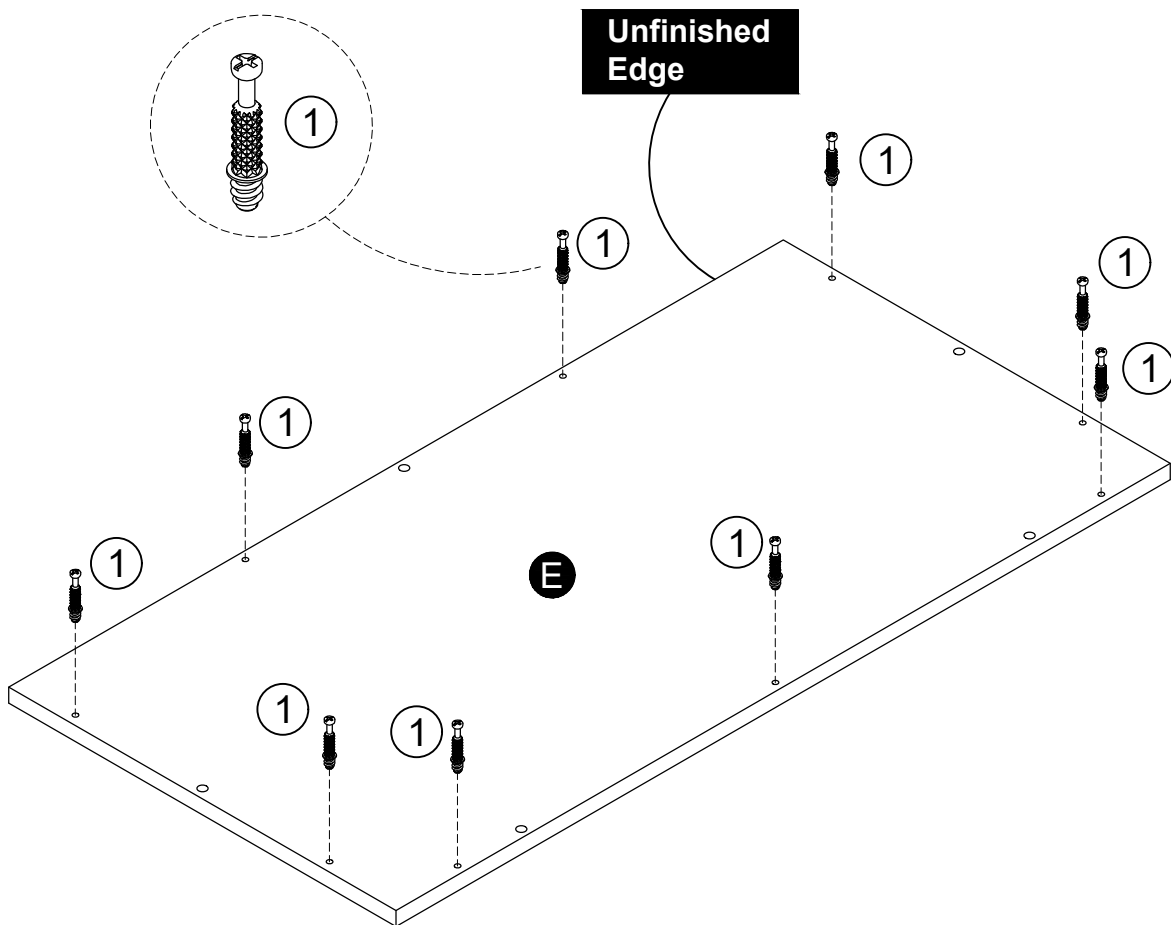
Attach Left Skirt (F), Right Skirt (G) to Rear Skirt (I) with 4 Cam locks (22) as illustrated.  
 Attach Front Skirt (H) to Left Skirt (F), Right Skirt (G) with 4 Cam locks (22) as illustrated.



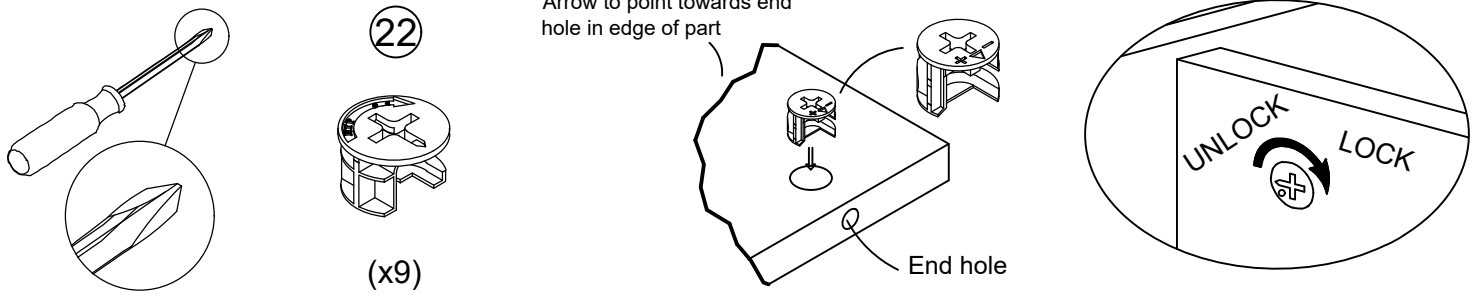
## STEP 9



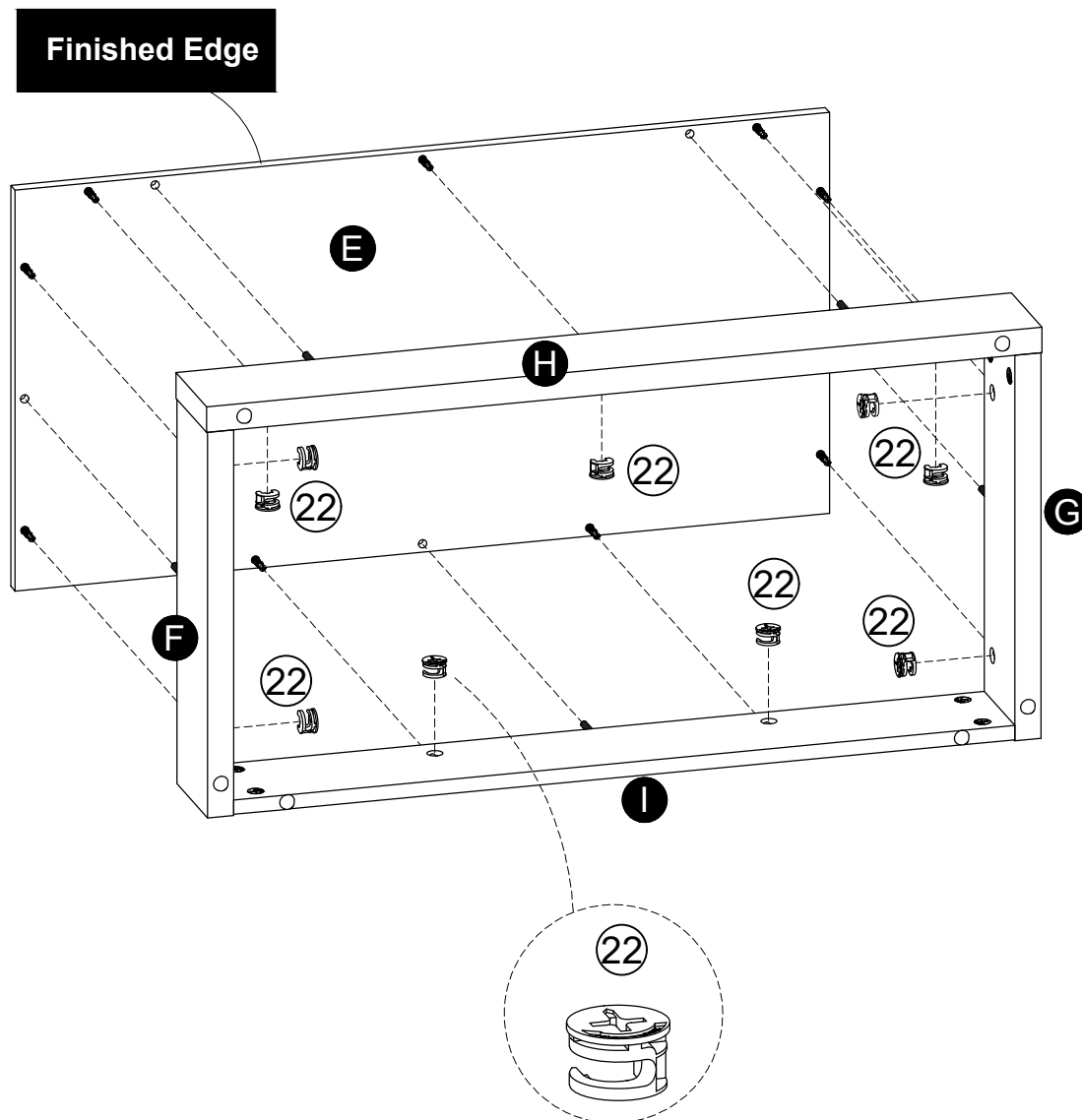
Attach 9 Cam Bolts (1) to Bottom (E) as illustrated. Do NOT over-tighten.



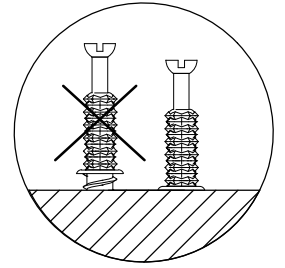
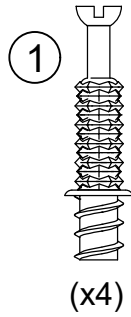
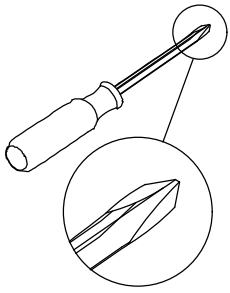
## STEP 10



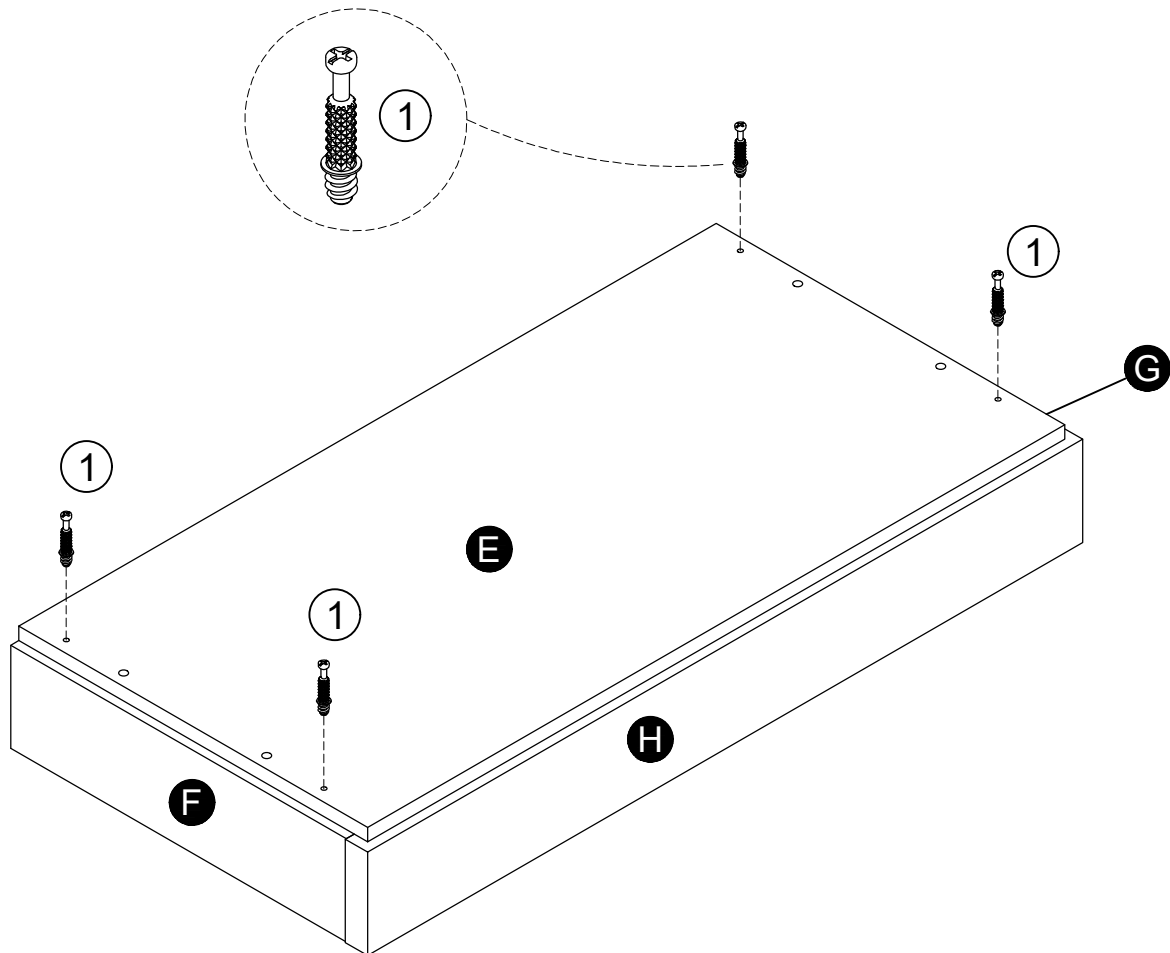
Attach Bottom (E) to (F), (G), (H) and (I) with 9 Cam Locks (22) as illustrated.



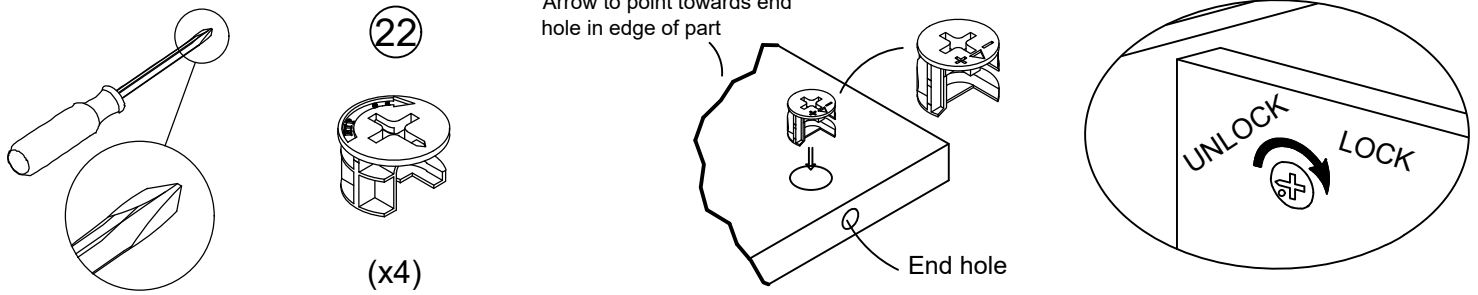
## STEP 11



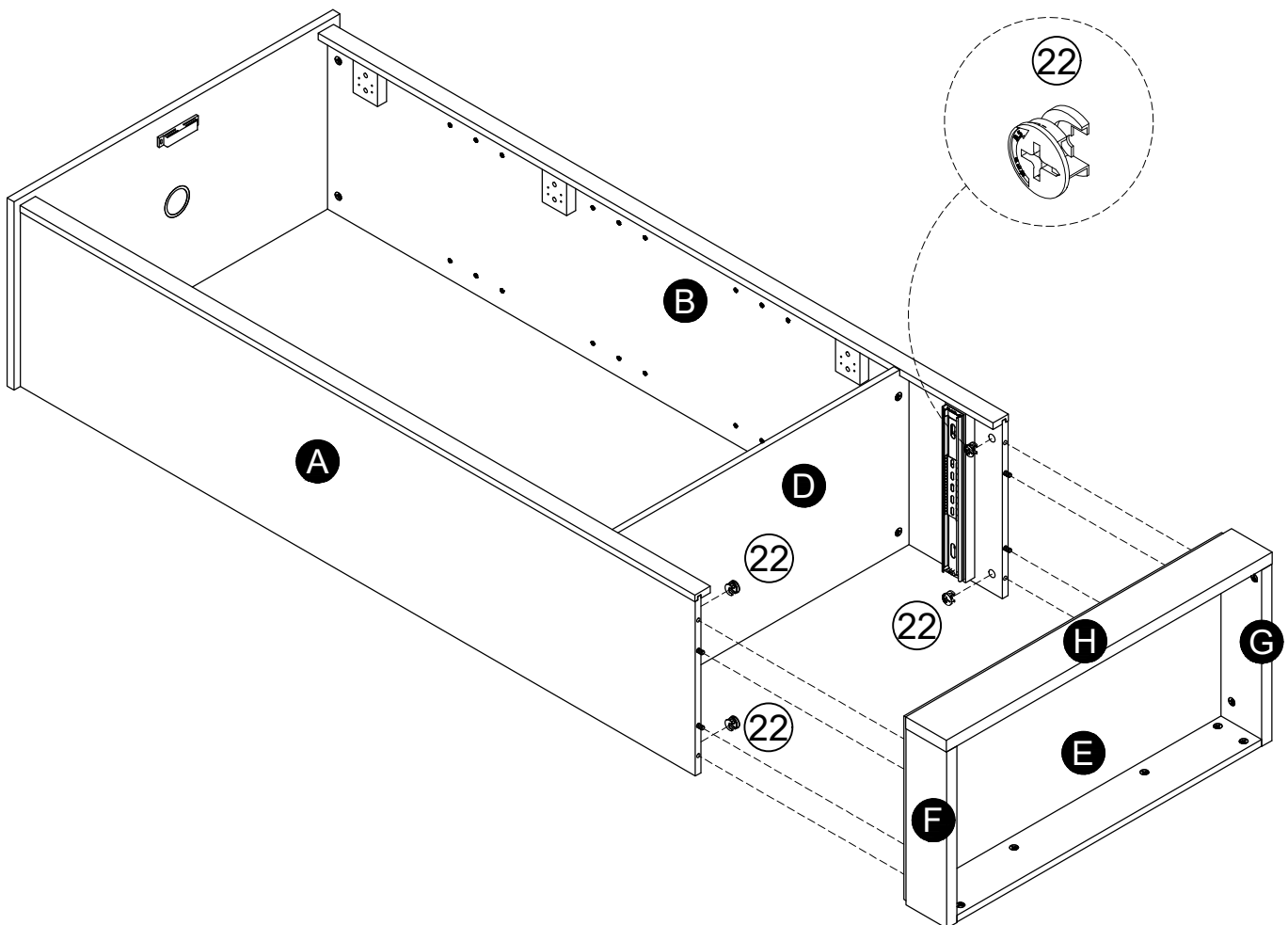
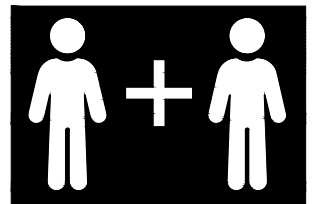
Attach 4 Cam Bolts (1) to Bottom (E) as illustrated. Do NOT over-tighten.



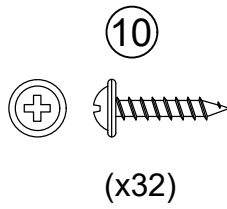
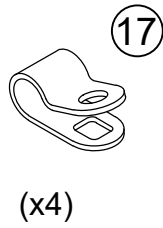
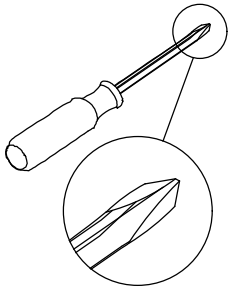
## STEP 12



Attach Bottom frame to Left Panel (A), Right Panel (B) with 4 Cam Locks (22) as illustrated. Do NOT over-tighten.



## STEP 13

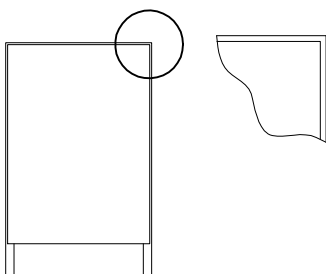
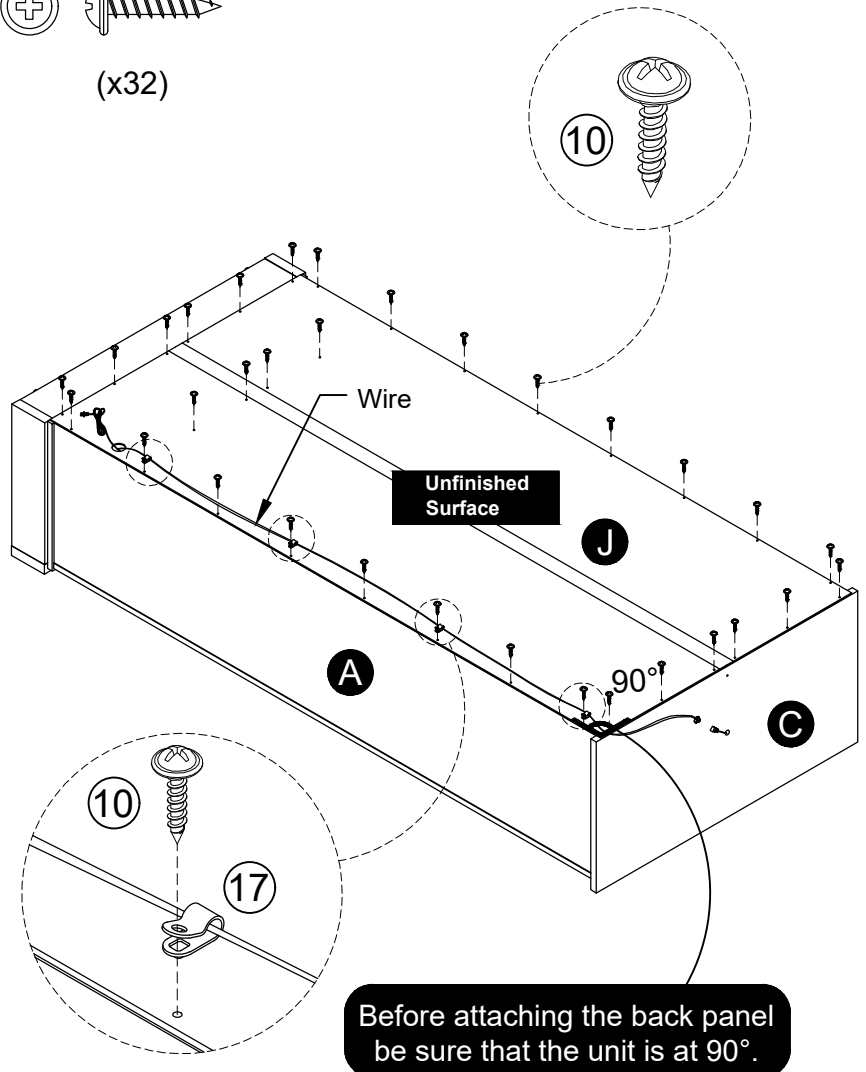


With the assistance of a second person, carefully turn the unit over so that the back is accessible.

Insert the wire into Clip (17) as illustrated. Attach the Back Panel (J) and Clip (17) to the Unit as shown. Verify that the unit is square before connecting with 32 Screws (10).

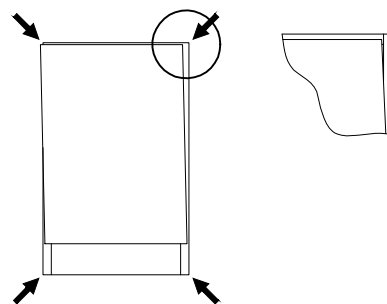
### ⚠ WARNING

Please make sure that the backs are attached securely. All screws must be driven into the parts straight and tightened firmly. Failure to do so could cause instability, product collapse, and/or serious injury.



### Proper Black Panel Alignment

All outside edges of the back panel will be equal with all outside edges of your unit.

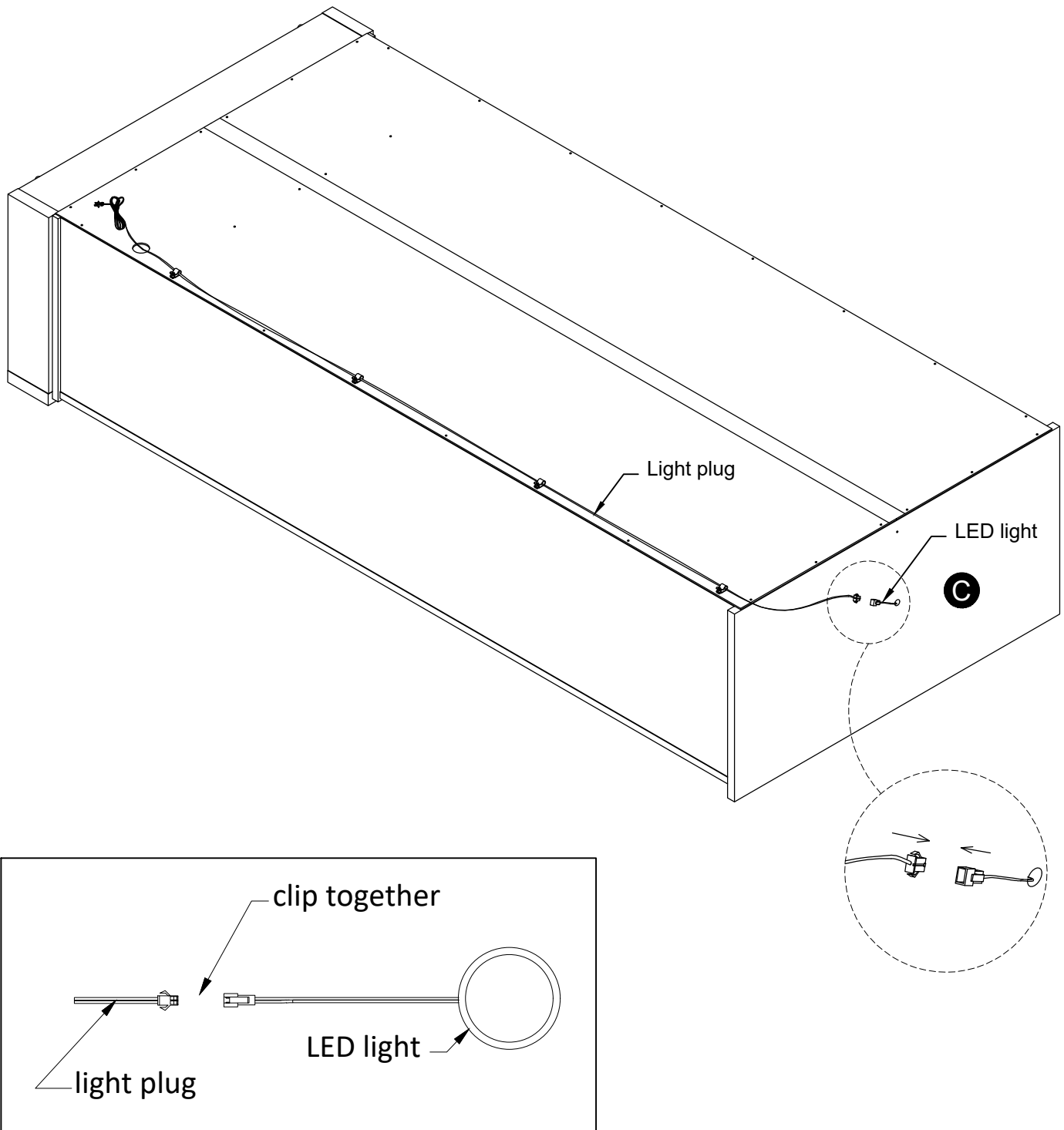


### Adjustment

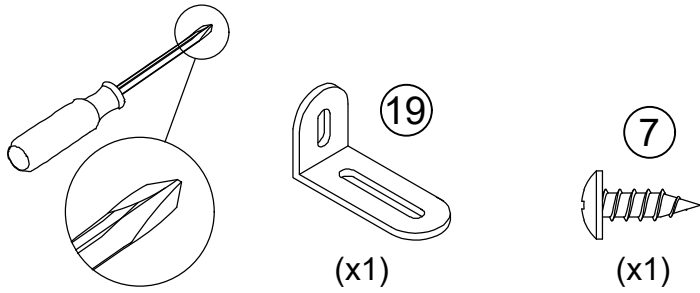
If outside edges of back panel are not equal with outside of your unit, apply pressure to corners of your unit to square up your unit. Position Back Panel on unit to check squareness. If needed, repeat unit unit is square.

## STEP 14

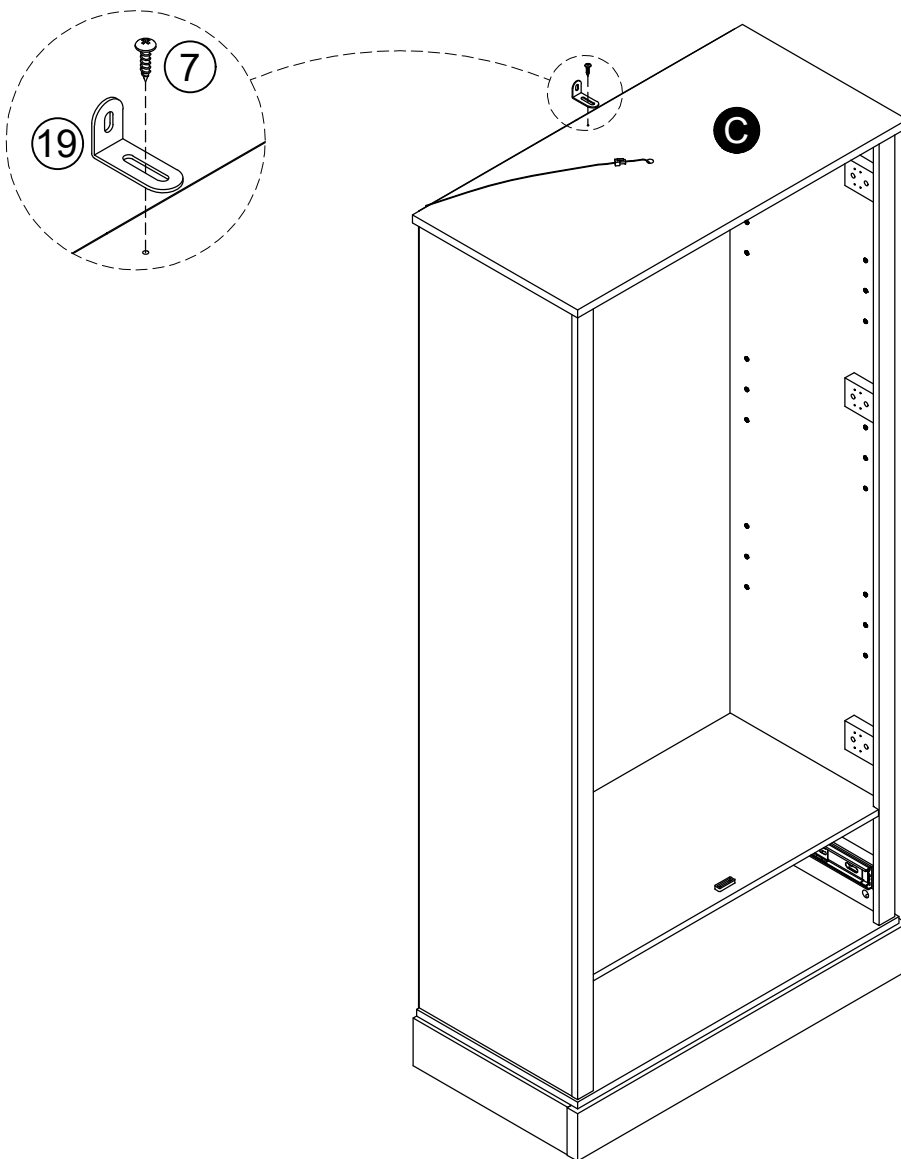
Clip the Light Plug and LED light together as shown.



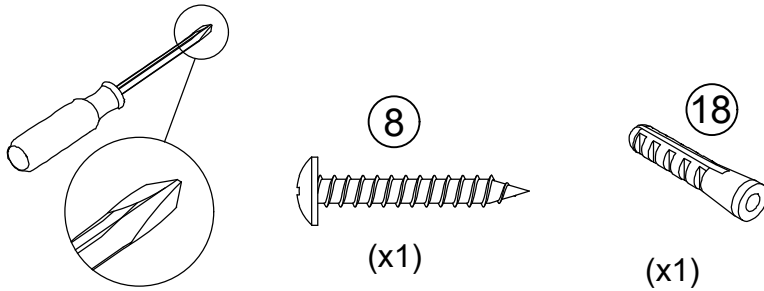
## STEP 15



Attach Wall Bracket (19) to Top Panel (C) with Screw (7) as illustrated. Do NOT fully tighten Screw (7) at this step.



## STEP 16



### For Masonry, Concrete, or other wall materials:

Consult your local hardware store for appropriate anchors to securely attach the safety bracket.

**IMPORTANT:** THIS UNIT MUST BE SECURE TO THE WALL TO HELP PREVENT TIPOVER. FOLLOW THESE INSTRUCTIONS TO INSTALL THE ANTI-TIPPING SAFETY BRACKET PROVIDED WITH THIS PRODUCT.

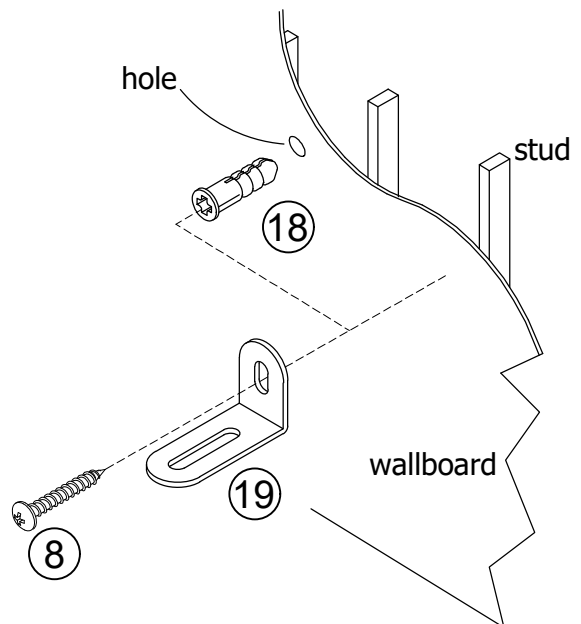
#### WARNING

**Serious or fatal crushing injuries can occur from furniture tipover.**

#### To prevent tipover:

- \* Install tipover restraint provided
- \* Place heaviest items in the lowest drawers
- \* Unless specifically designed to accommodate, do not set TVs or other heavy objects on the top of this product
- \* Never allow children to climb or hang on drawers, door, or shelves
- \* Never open more than one drawer at a time

**Use of tipover restraints may only reduce, but not eliminate the risk of tipover**



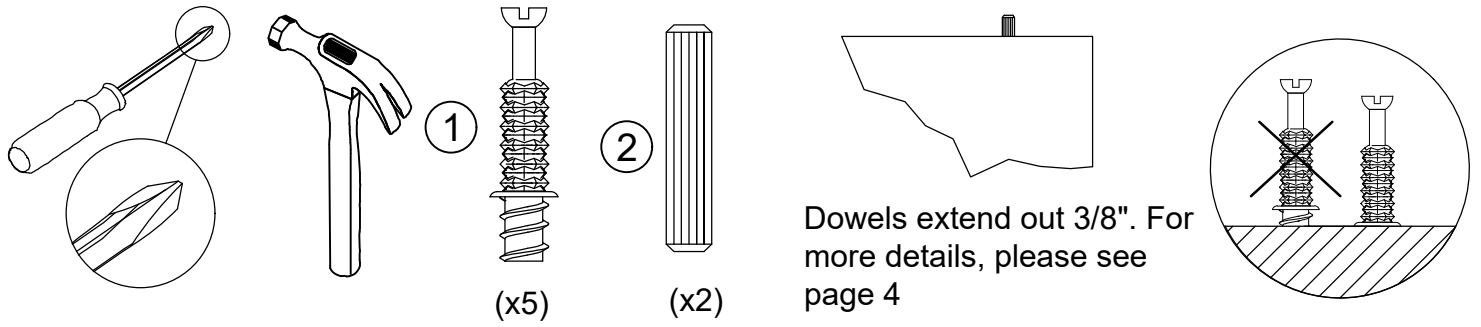
#### OPTION 1: Attachment into a wall stud (preferred method)

Using a stud finder, locate a stud in the wall. Place your unit against the wall, with the Wall Bracket (19) aligned in this location. To make driving the screw easier, you can drill a 1/8" diameter pilot hole (3mm) through the Wall Bracket (19) into the stud. Drive the Screw (8) through the Wall Bracket (19) into the wall stud. Fully tighten the Screw (7) at this step.

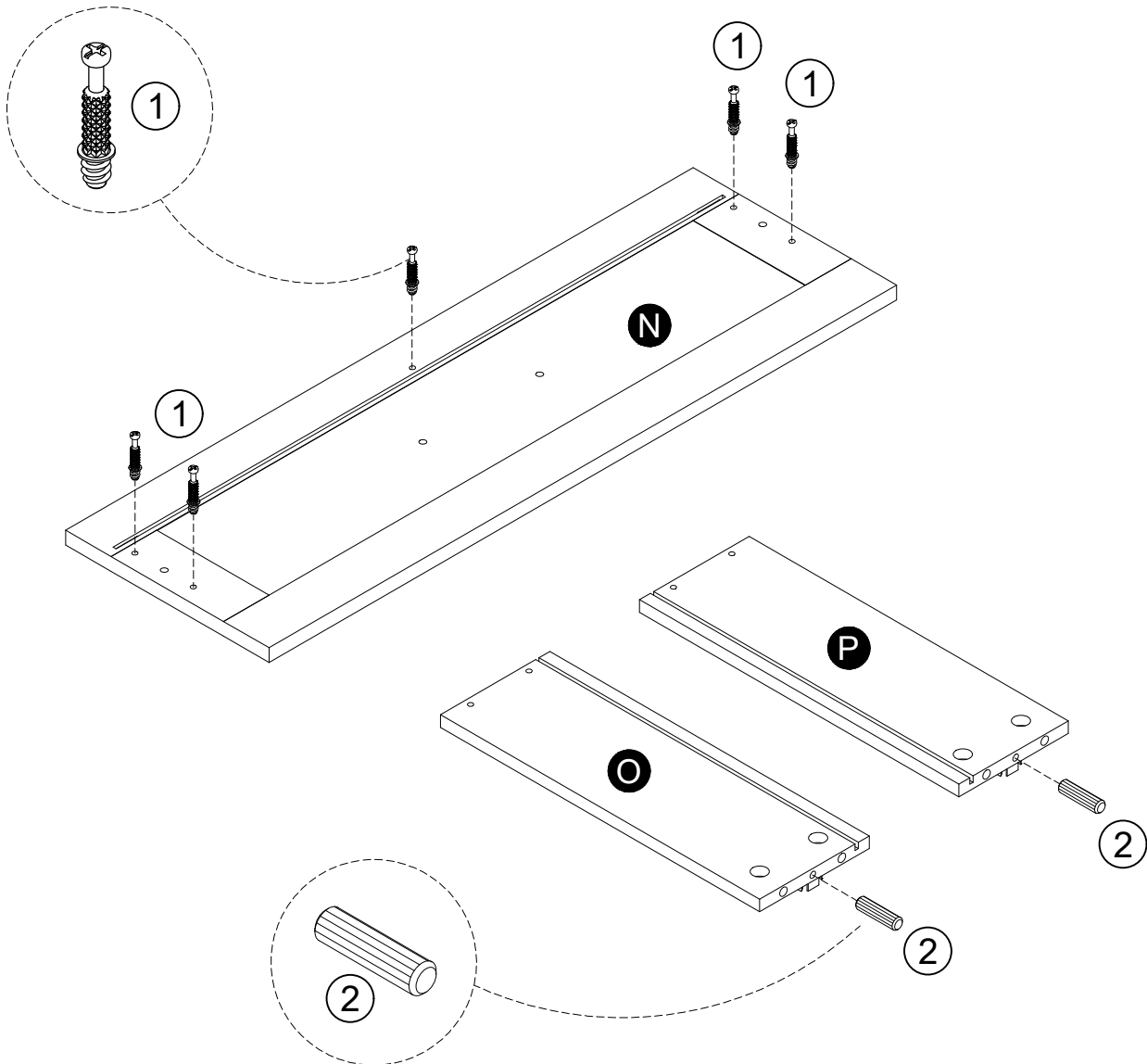
#### OPTION 2: Attachment into drywall

Locate your unit where desired against a wall and mark the wall through the Wall Bracket (19), then move your unit aside. Drill a 3/16" diameter hole (5mm) into the wallboard. Tap the Wall Anchor (18) into the hole until it is flush. Move your unit into location and fasten the Wall Bracket (19) to the Wall Anchor (18) with the Screw (8). Fully tighten the Screw (7) at this step.

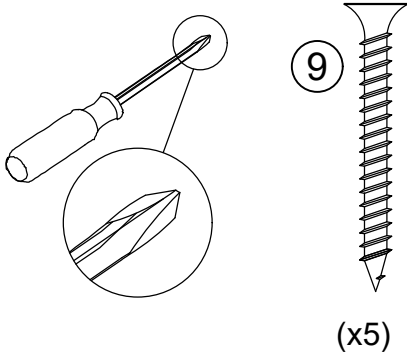
## STEP 17



Attach 5 Cam Bolts (1) into Drawer Front (N) as illustrated. Do NOT over-tighten. Insert Wood Dowel (2) into Drawer Side Left (O) and Wood Dowel (2) into Drawer Side Right (P) as illustrated.

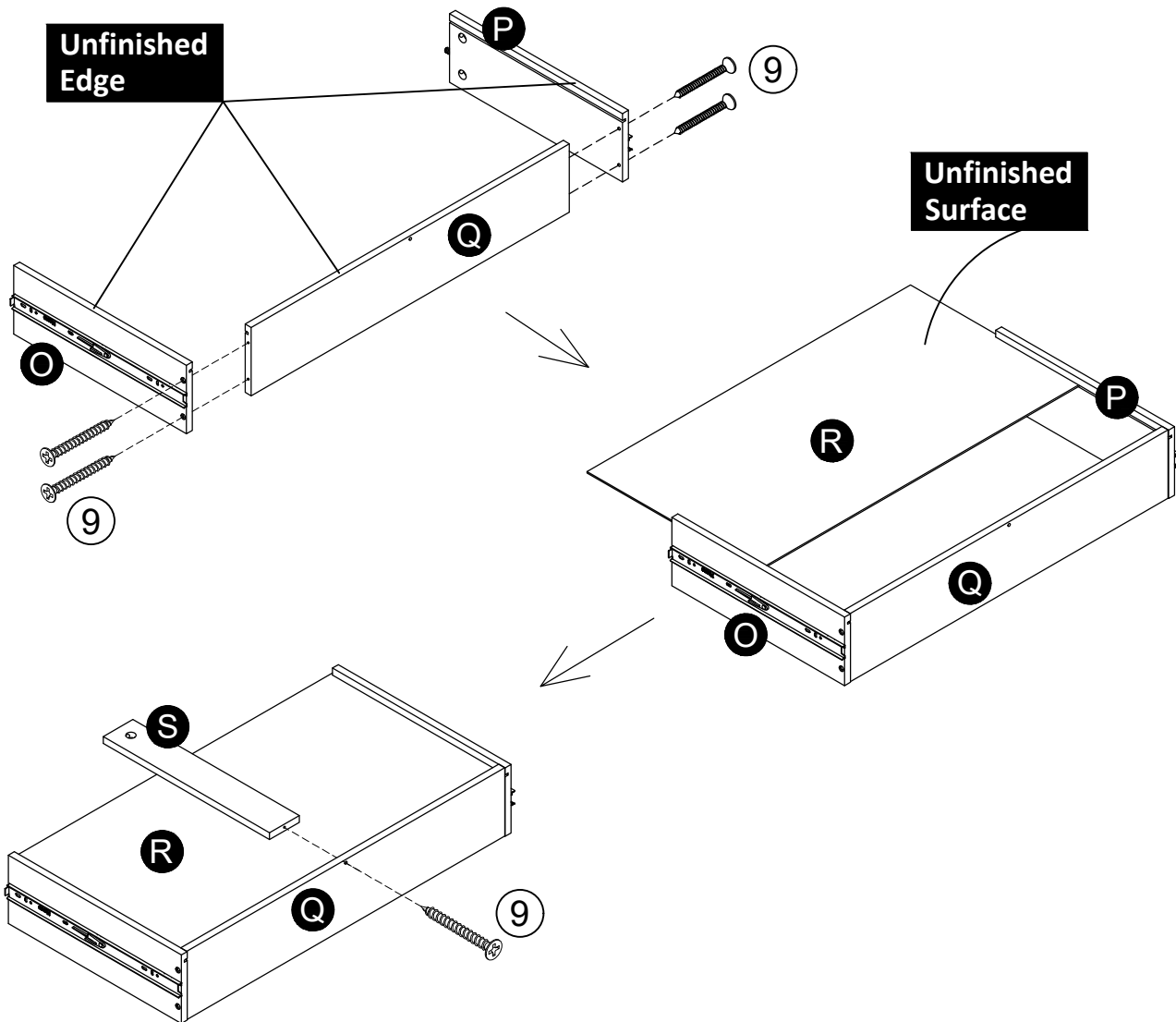


## STEP 18

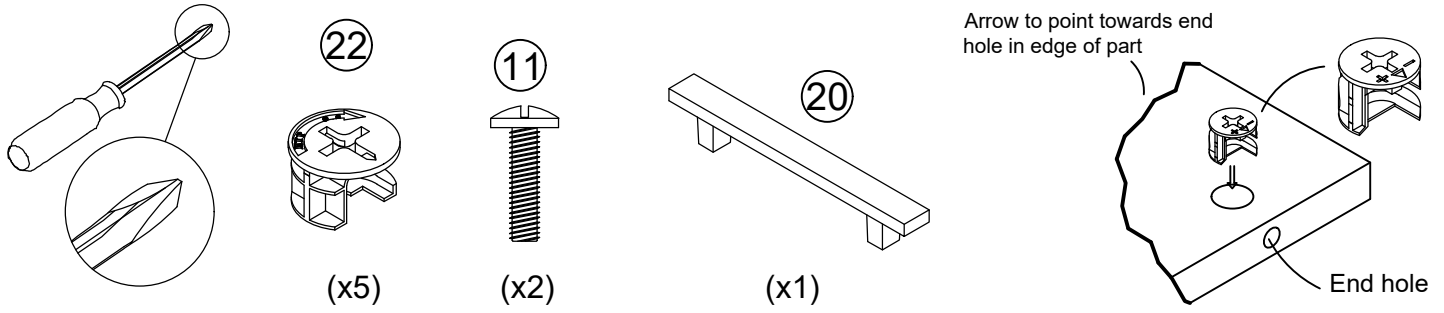


Attach Drawer Side Left (O) and Drawer Side Right (P) to Drawer Back (Q) with four Screws (9) as illustrated.

Slide Drawer Bottom (R) into the grooves of the Drawer panels (O), (P) and (Q) as illustrated. Attach Drawer Support (S) to Drawer Back (Q) with Screw (9) as illustrated.

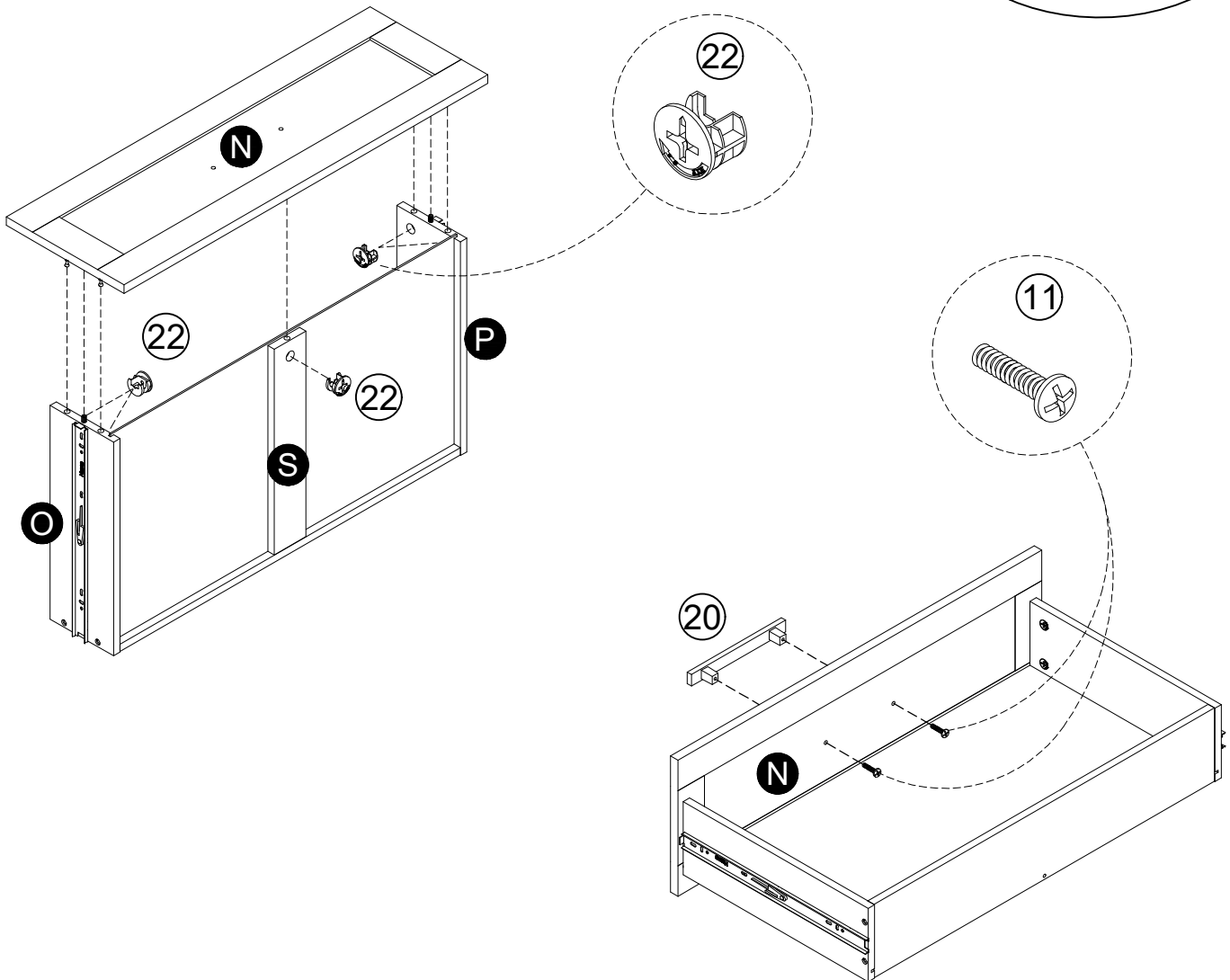
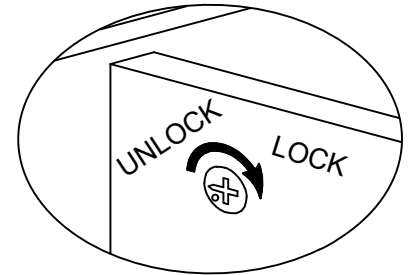


## STEP 19



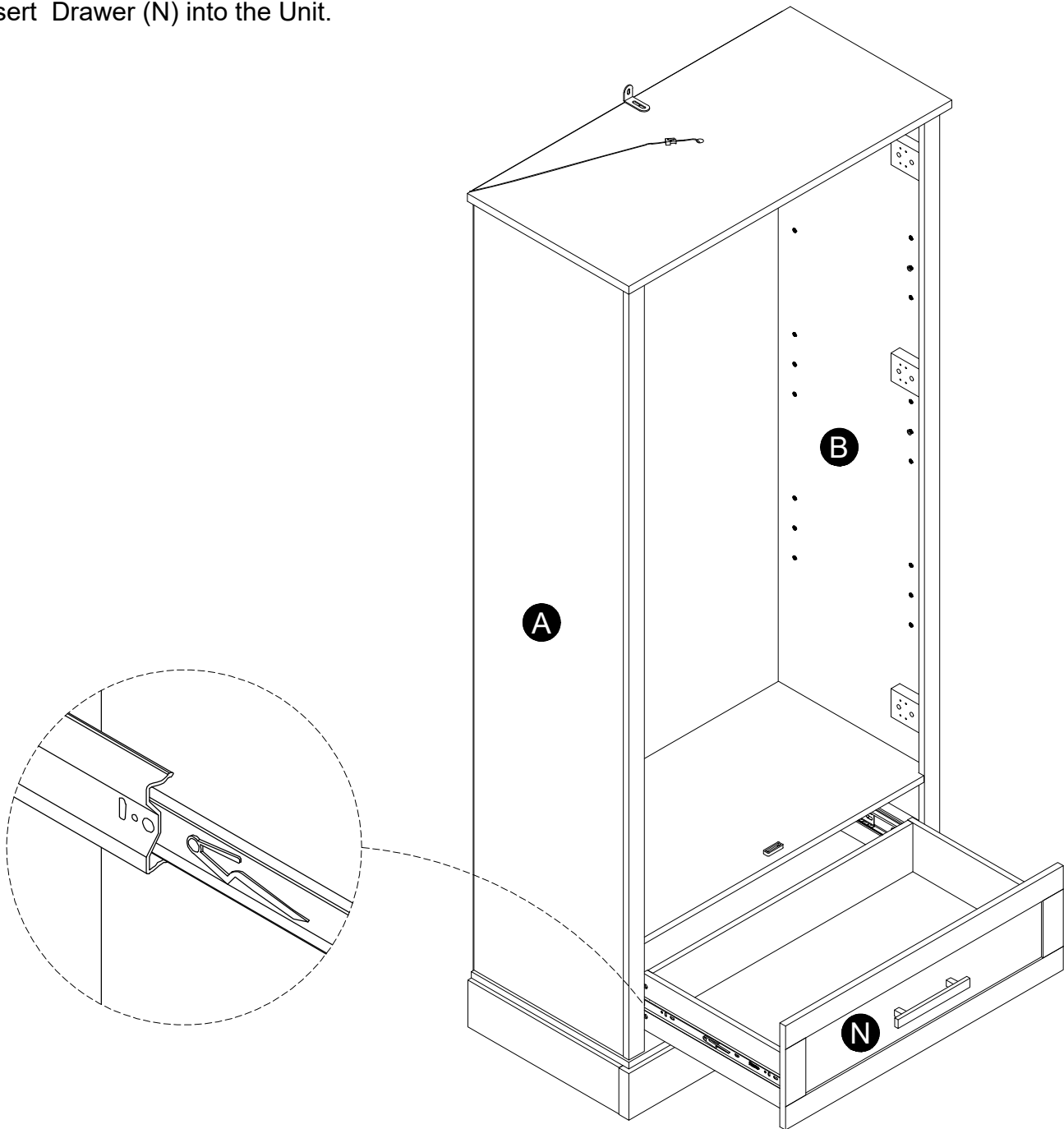
Attach Drawer Front (N) to boards (O), (P) and (S) with five Cam Locks (22) as illustrated.

Attach Handle (20) to Drawer Front (N) with 2 Bolts (11) as illustrated.



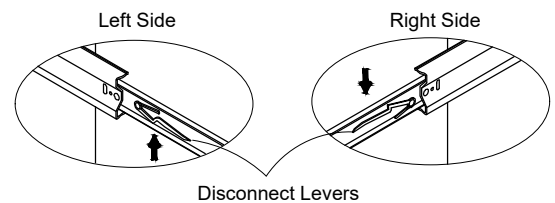
## STEP 20

Insert Drawer (N) into the Unit.

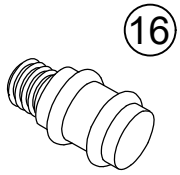


### To Remove Drawer, If Needed

- Pull the drawer fully open so levers are visible
- Push UP on left side lever and DOWN on right side lever
- Holding levers in place, pull drawer toward you.

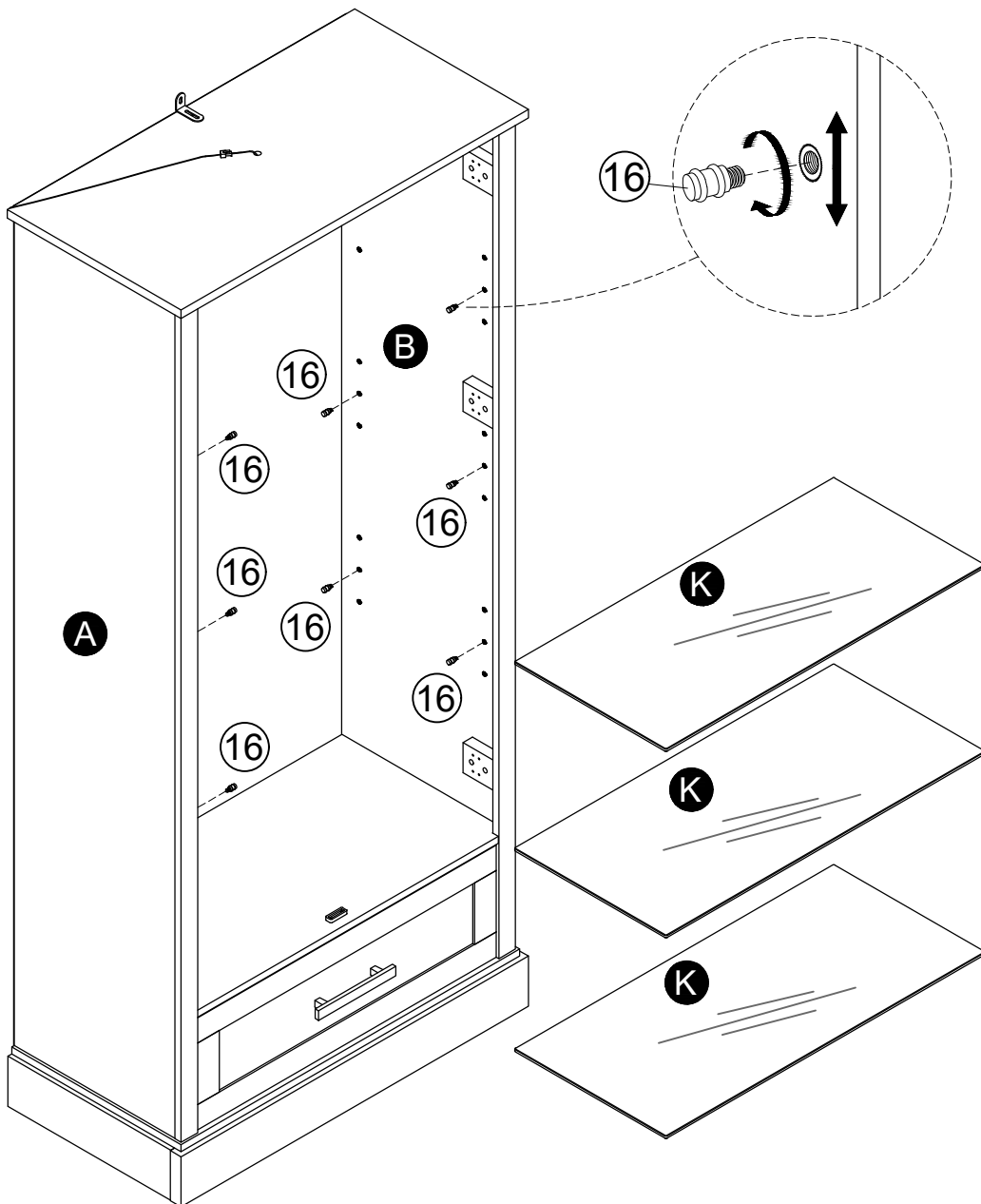


## STEP 21

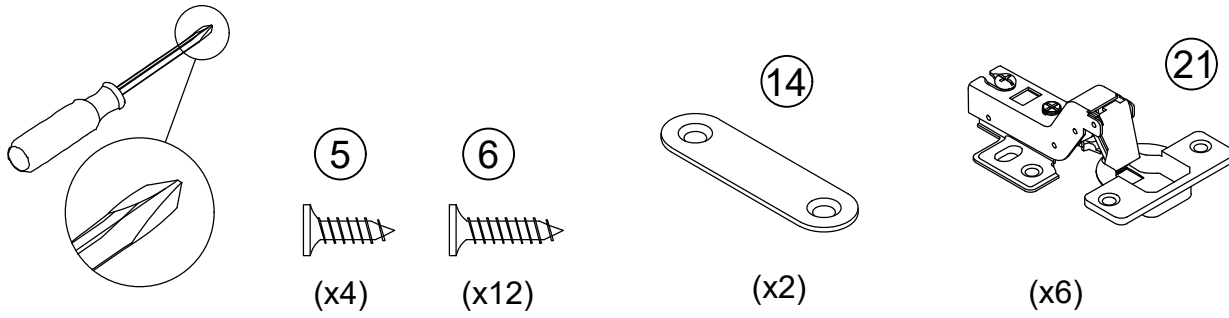


(x12)

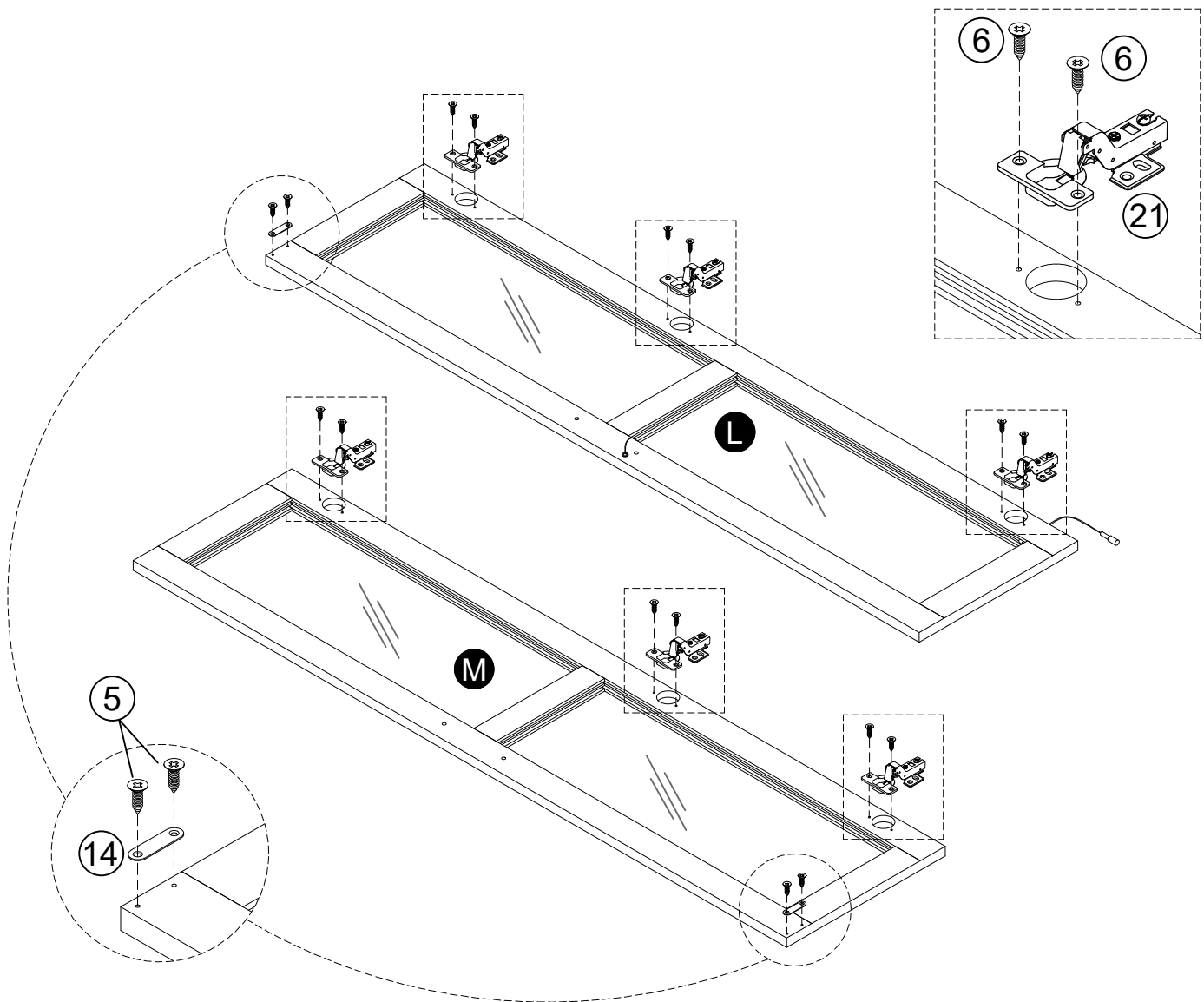
Attach 12 Shelf pin (16) to Left Panel (A), Right Panel (B) as illustrated.  
Put Adjustable Glass Shelves (K) on Shelf pin (16) as illustrated.



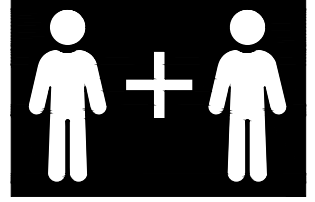
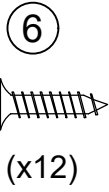
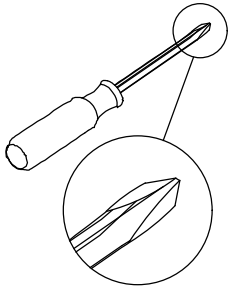
## STEP 22



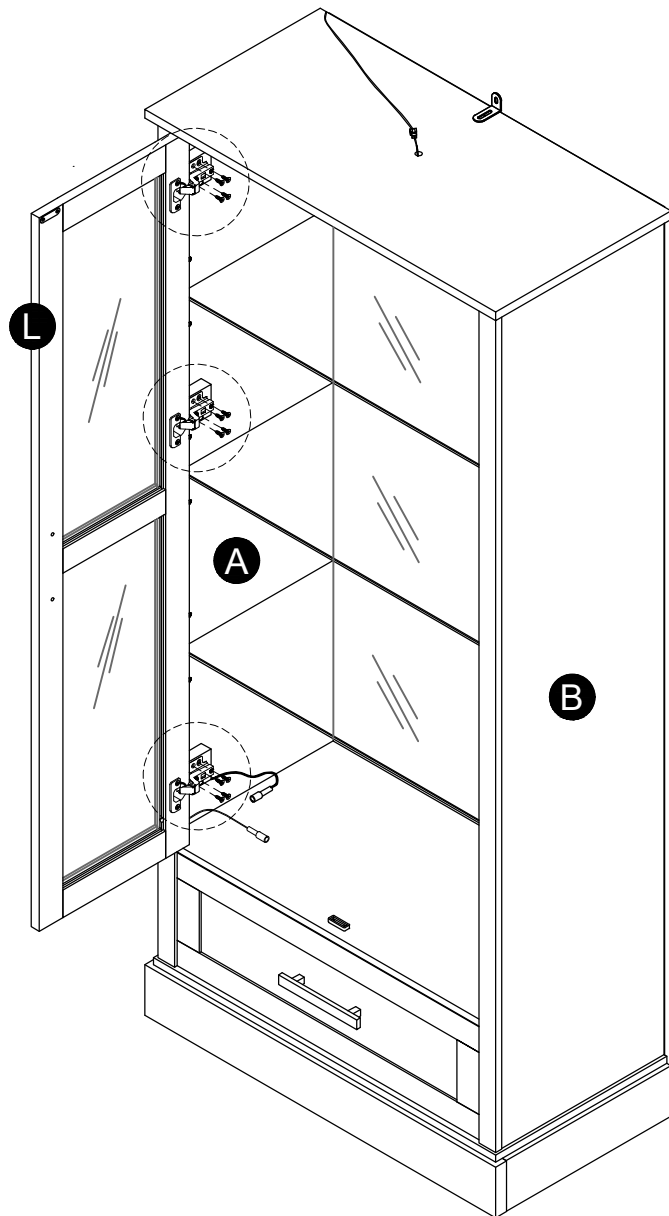
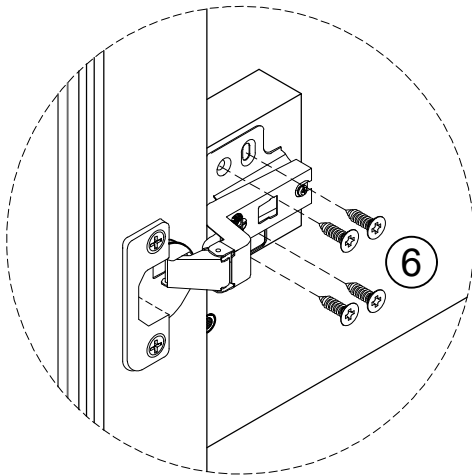
Attach two Metal Plates (14) to Left Door (L) and Right Door (M) with 4 Screws (5) as illustrated. Attach Hinge (21) to Left Door (L) and Right Door (M) with 12 Screws (6) as illustrated.



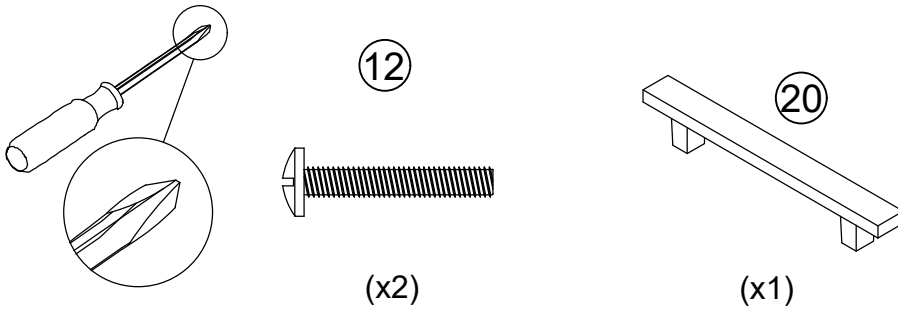
## STEP 23



Attach Left Door (L) to Left Panel (A) with 12 Screws (6) as illustrated.



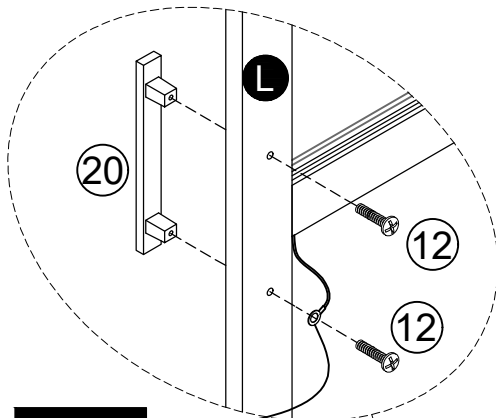
## STEP 24



Attach Handle (20) to Left Door (L) with 2 Bolts (12) as illustrated.

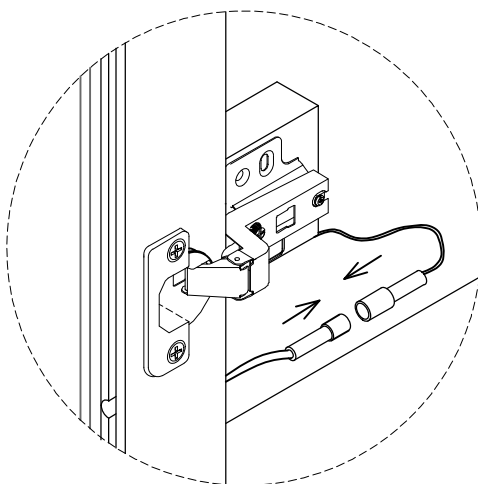
Note:

1. Make sure to tighten the lower bolt (12) through the ring at wire end as illustrated.
2. Connect the wire end at door corner to the socket of power adapter on the cabinet.

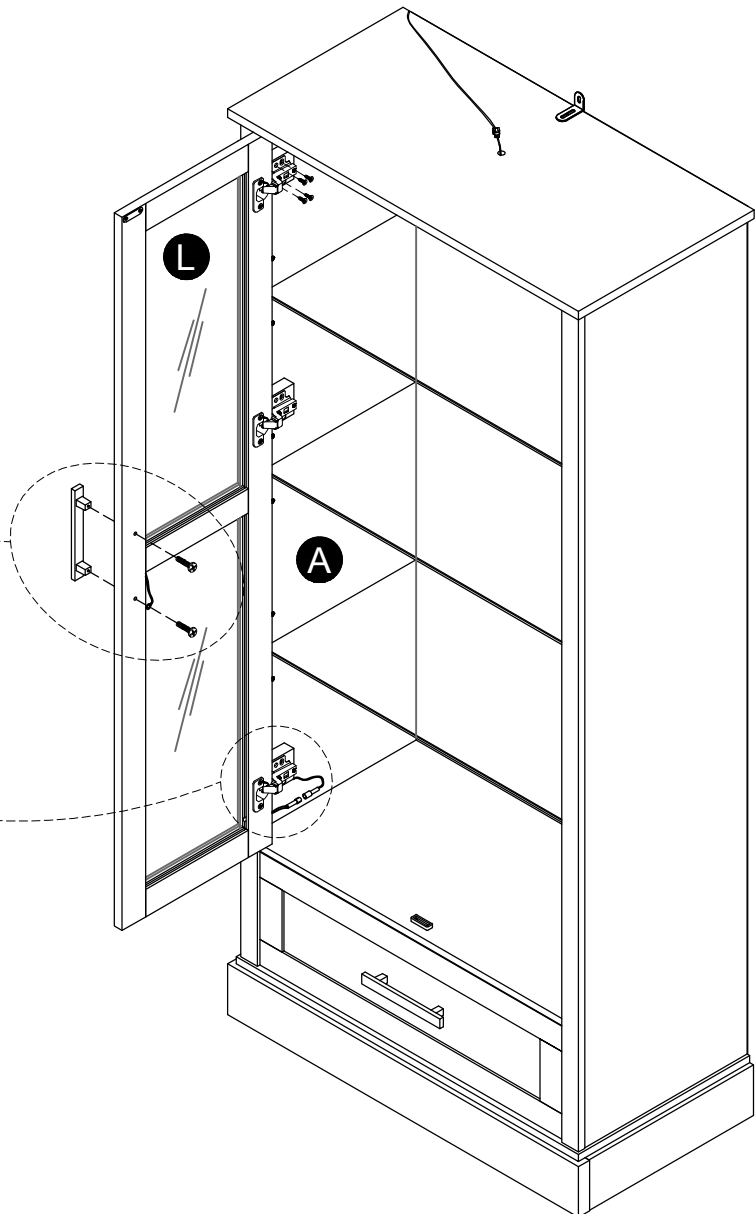


**Loop**

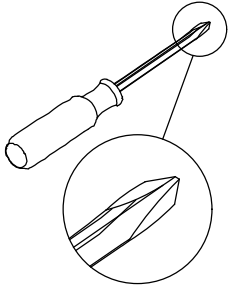
1. Tighten the lower bolt (12) through the ring at wire end to Handle (20).



2. Connect the wire end at door corner to the socket of power adapter.



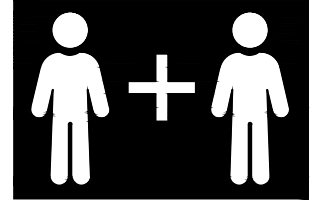
## STEP 25



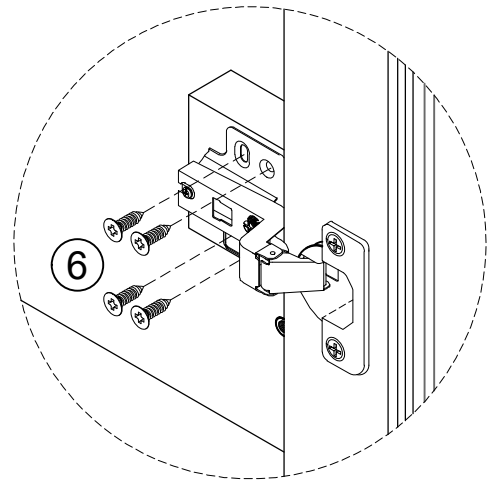
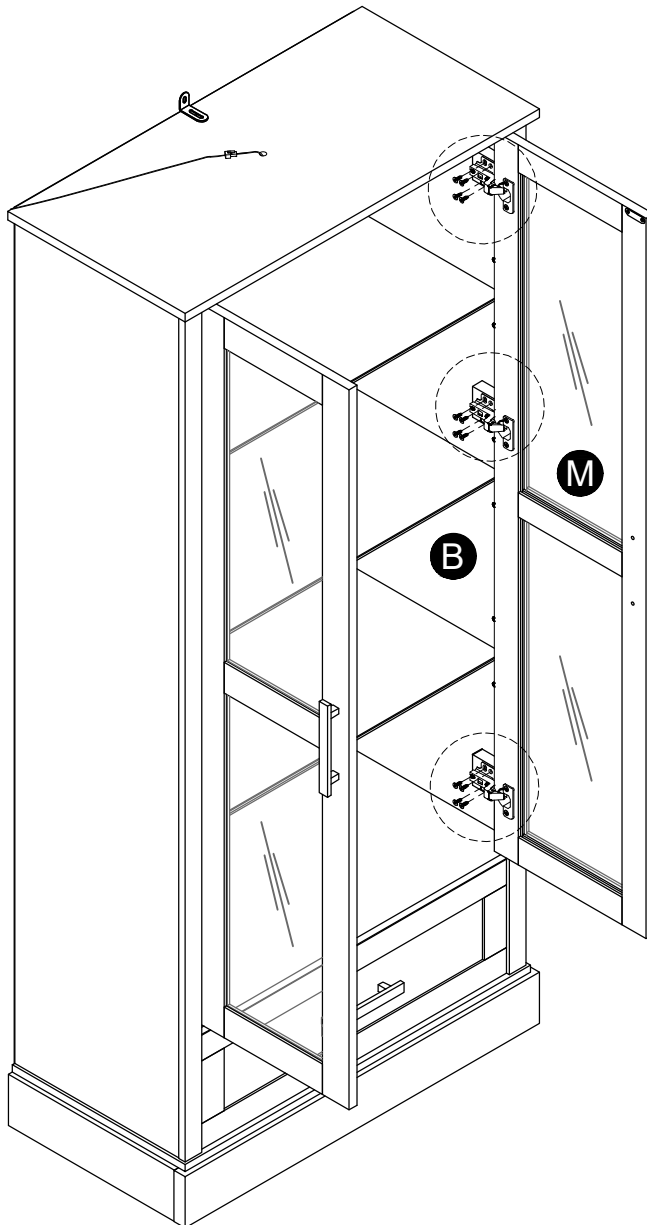
6



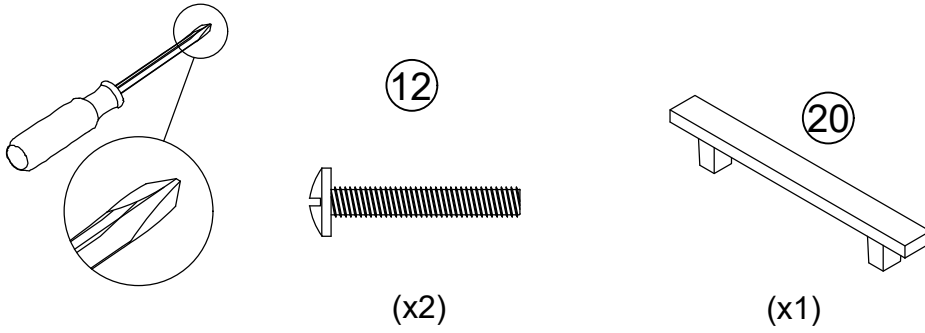
(x12)



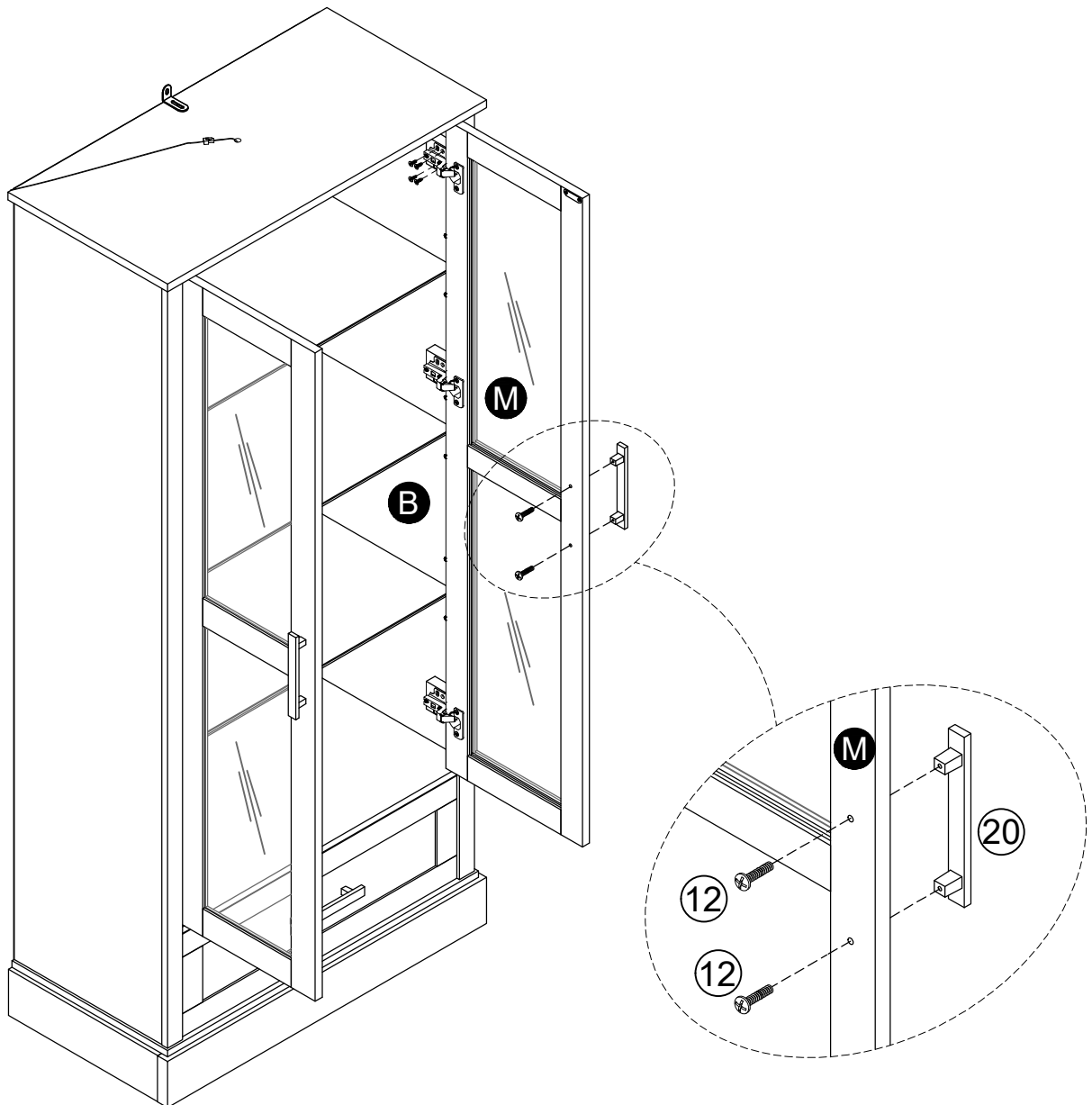
Attach Right Door (M) to Right Panel (B) with 12 Screws (6) as illustrated.



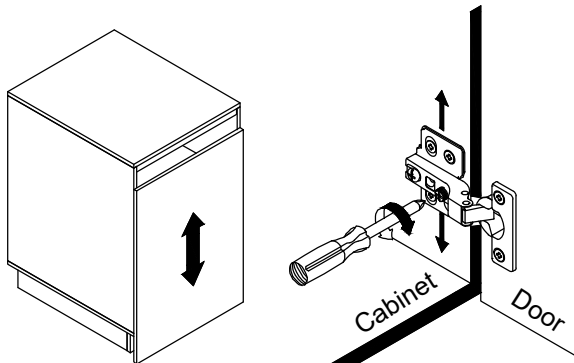
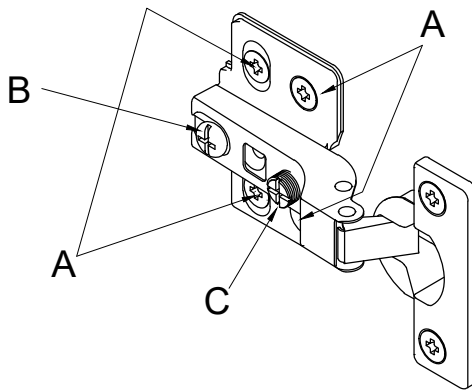
## STEP 26



Attach Handle (20) to Right Door (M) with 2 Bolts (12) as illustrated.



# STEP 27



### To adjust the vertical height.

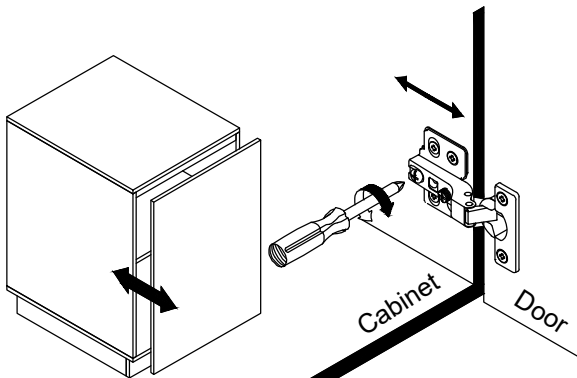
Loosen the four screws "A" on both hinges. Two of them are usually in slotted holes which allows you to adjust up or down by a few mm and then tighten back up.

### Para ajustar la altura vertical

Afloje los cuatro tornillos "A" en ambas bisagras. Dos de esos están usualmente en los agujeros llanos. Lo que significa que usted puede regular de arriba hacia abajo. Por unos pocos milímetros. Luego apriete hacia arriba.

### Pour régler la hauteur verticale.

Desserrez les quatre vis "A" sur les deux charnières. Deux d'entre elles sont habituellement dans des fentes afin de vous permettre de les vis après l'ajustement.



### To adjust the horizontal depth.

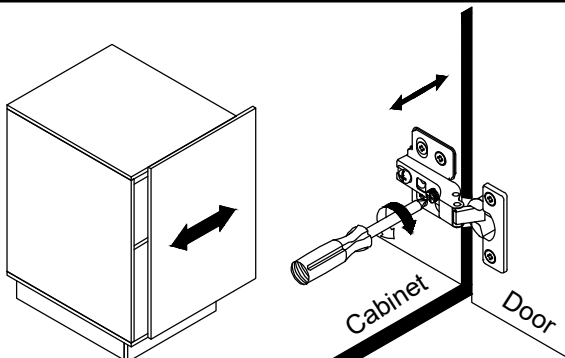
Loosen screw "B" and adjust door. If the door can not be adjusted, please loosen screw "C", then try again. Tighten screw "B" and "C".

### Para ajustar profundo.

Afloje los tornillos y ajuste la puerta, si la puerta no puede ser ajustada. Por favor afloje los tornillos "C" y luego trate otra vez. Apriete los tornillos "B" y "C"

### Pour régler la profondeur.

Desserrez la vis "B" et ajustez la porte. Si la porte ne peut pas s'ajuster, desserrez la vis "C", puis essayez de nouveau. Serrez les vis "B" et "C".



### To adjust side ways.

Turn the screw "C" on BOTH hinges on each door.

### Para ajustar los lados marcados

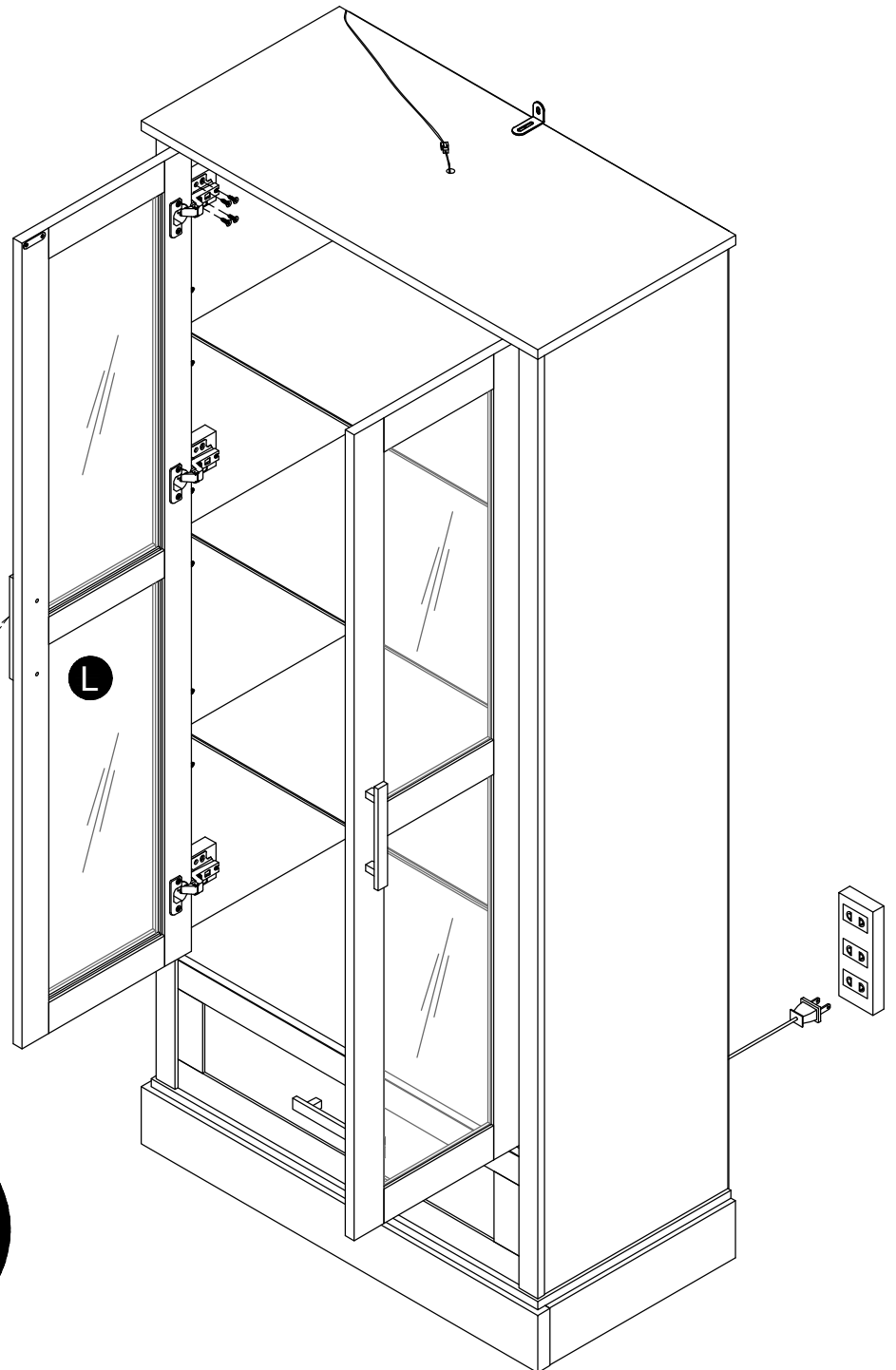
Gire los tornillos "C" de ambas bisagras en cada puerta

### Pour régler latéralement.

Tournez la vis "C" sur les DEUX charnières de chaque porte.

## STEP 28

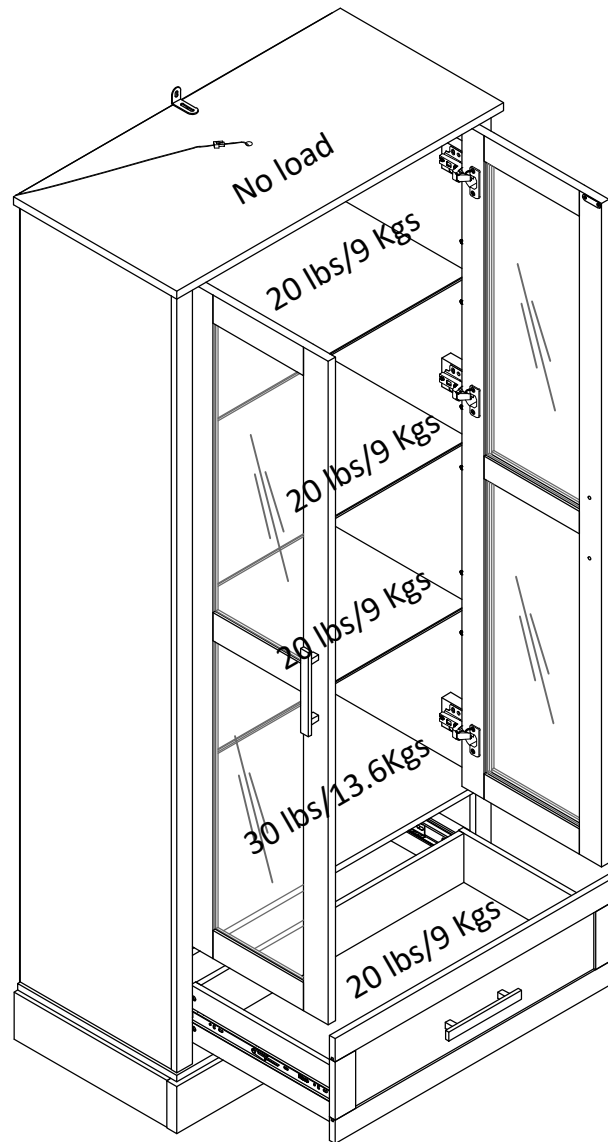
Place the unit against the wall, connect the adapter plug to the outlet.  
The left handle now can be used to active or change the light level!.



**TOUCH THE LEFT  
HANDLE TO  
ACTIVE / DIM THE  
LIGHT!**

## Maximum Loads

This unit has been designed to support the maximum loads shown. Exceeding these load limits could cause sagging, instability, product collapse, and/or serious injury.



**Warning: Risk of serious injury to person - do not place a television on this furniture. This furniture is not approved for use with a television.**

### Certificate of Conformity

1. This certificate applies to the Dorel Home Furnishings, Inc. product identified by this instruction manual.
2. This certificate applies to compliance of this product with the CPSC Ban on Lead-Containing Paint (16 CFR 1303).
3. This product is distributed by: Dorel Home Furnishings, Inc.  
410 East First Street South  
Wright City, MO 63390  
636-745-3351
4. Site of Manufacture: Binh Duong, Viet Nam.
5. See front page of instruction manual for date of manufacture.

---

## Register your product to receive the following:



- \* New trend details - sneak peek on what's new
- \* Surveys - have a voice within our community
- \* Quick and easy replacement part service

To register your product, visit [ameriwoodhome.com](http://ameriwoodhome.com)

## *Star Rating*



Visit your local retailer's website, rate your purchased product and leave us some feedback!

We would like to extend a big "Thank You" to all of our customers for taking the time to assemble this Ameriwood Home product, and to give us your valuable feedback.

*Thank  
You!*

## Cubierta Delantera

Este libro de instrucciones contiene información **IMPORTANTE** de seguridad. Por favor lea y manténgalo para referencia en el futuro.

**No Regrese este producto!** Comuníquese con nuestro amigoso equipo de servicio al cliente para obtener ayuda.

Llámenos al: 1-800-489-3351 (Gratis)

Visitar: [www.ameriwoodhome.com](http://www.ameriwoodhome.com)

## PRECAUCION

Este mueble puede volcarse y causar graves heridas y/o muerte.

Anclar el mueble a un poste de madera en la pared (si esto se requiere).

No Permita que los niños monten el mueble.

Mantenga los artículos más pesados en los cajones de abajo.

## Consejos Útiles (página 2)

- Abra su artículo en el área donde usted planea utilizarlo para evitar levantar y moverlo menos
- Identificar, ordenar y contar las piezas antes de intentar ensamblar
- Las clavijas de compresión se golpean con un martillo
- Asegúrese de que siempre este el punto localizado en la parte superior de bloqueador de leva este volteado hacia borde exterior
- Utilizar todos los clavos para el panel de atrás y distribuirlos por igual
- El panel de atrás debe utilizarse para asegurarse de que la unidad quede fija y firme
- No use químicas fuertes ni limpiadores abrasivos en este artículo
- Nunca empuje, tire ni arrastre los muebles

## Antes de Que Empieces (página 3)

- Lea cuidadosamente cada paso y siga el orden correcto
- Separar y contar todas sus piezas y hardware
- Dése suficiente espacio para el proceso de ensamble
- Tenga las siguientes herramientas: #2 cabeza Phillips, Destornillador y martillo
- Precaución: Si usa un taladro electrónico o un destornillador eléctrico para atornillar, por favor asegúrese que deje de atornillar cuando el tornillos este apretado. Fallar hacer esto puede causar barrer el tornillo.

## Sistema de fijar el bloqueo de leva (página 3)

Esta sistema de fijar el bloqueo de leva sera usado en todo el proceso ensamble.

## Identificación de los Paneles (Página 5-7)

Este no es el tamaño real

- (A) PANEL IZQUIERDO
- (B) PANEL DERECHO
- (C) PANEL SUPERIOR
- (D) ESTANTE FIJO
- (E) PANEL INFERIOR
- (F) FALDA IZQUIERDA
- (G) FALDA DERECHA
- (H) FALDA DELANTERA
- (I) FALDÓN TRASERO
- (J) PANEL POSTERIOR
- (K) ESTANTES DE VIDRIO AJUSTABLES
- (L) PUERTA IZQUIERDA
- (M) PUERTA DERECHA
- (N) FRENTE DEL CAJÓN
- (O) LADO DEL CAJÓN IZQUIERDO
- (P) LADO DERECHO DEL CAJÓN
- (Q) PARTE TRASERA DEL CAJÓN
- (R) FONDO DEL CAJÓN
- (S) SOPORTE DE CAJÓN

## Lista de Piezas (Página 9) Lista de Piezas (Página 10)

Tamaño real	Este no es el tamaño real
(1) Perno de leva	(13) Tope de puerta
(2) Taco de madera	(14) Placa de metal
(3) Taco de madera	(15) Captura magnética
(4) Tornillo	(16) Pasador de estante
(5) Tornillo	(17) Clip de alambre
(6) Tornillo	(18) Anclaje de pared
(7) Tornillo	(19) Soporte de pared
(8) Tornillo	(20) Manejar
(9) Tornillo	(21) Bisagra
(10) Tornillo	(22) Bloqueo de leva
(11) Perno corto	(23) Cubrir
(12) Perno largo	

### Página 12

Conecte 4 pernos de leva (1) al panel izquierdo (A) y al panel derecho (B) como se ilustra. NO apriete demasiado.

Inserte cuatro clavijas de madera (3) en el panel izquierdo (A) y cuatro clavijas de madera (3) en el panel derecho (B), como se ilustra.

### Página 13

Fije el tope de la puerta (13) al estante fijo (D) con 2 tornillos (4) como se ilustra.

Inserte cuatro clavijas de madera (3) en el estante fijo (D) como se ilustra.

### Página 14

Conecte el estante fijo (D) al panel izquierdo (A) con 2 cerraduras de leva (22) como se ilustra.

### Página 15

Conecte el panel derecho (B) al estante fijo (D) con 2 cerraduras de leva (22) como se ilustra.

### Página 16

Conecte 4 pernos de leva (1) al panel superior (C) como se ilustra. NO apriete demasiado.

Conecte el pestillo magnético (15) al panel superior (C) con 2 tornillos (4) como se ilustra.

### Página 17

Conecte el panel superior (C) al panel izquierdo (A) y al panel derecho (B) con 4 cerraduras de leva (22) como se ilustra.

## **Página 18**

Conecte 8 pernos de leva (1) a (F), (G) y (H) como se ilustra. NO apriete demasiado.  
Inserte 9 clavijas de madera (3) en (F), (G), (H), (I) como se ilustra.

## **Página 19**

Conecte el faldón izquierdo (F) y el faldón derecho (G) al faldón trasero (I) con 4 trabas de leva (22) como se ilustra.

Conecte el faldón delantero (H) al faldón izquierdo (F) y al faldón derecho (G) con 4 trabas de leva (22) como se ilustra.

## **Página 20**

Conecte 9 pernos de leva (1) a la parte inferior (E) como se ilustra. NO apriete demasiado.

## **Página 21**

Conecte la parte inferior (E) a (F), (G), (H) y (I) con 9 cerraduras de leva (22) como se ilustra.

## **Página 22**

Conecte 4 pernos de leva (1) a la parte inferior (E) como se ilustra. NO apriete demasiado.

## **Página 23**

Conecte el marco inferior al panel izquierdo (A) y al panel derecho (B) con 4 cerraduras de leva (22) como se ilustra. NO apriete demasiado.

## **Página 24**

Con la ayuda de una segunda persona, gire con cuidado la unidad para que se pueda acceder a la parte trasera.

Inserte el cable en el clip (17) como se ilustra.

Conecte el panel posterior (J) y el clip (17) a la unidad como se muestra. Verifique que la unidad esté cuadrada antes de conectarla con 32 tornillos (10).

**ADVERTENCIA:** Asegúrese de que las partes traseras estén bien sujetas.

Todos los tornillos deben introducirse en las piezas en línea recta y apretarse firmemente. No hacerlo podría causar inestabilidad, colapso del producto y/o lesiones graves.

Antes de colocar el panel trasero

asegúrese de que la unidad esté a 90°.

Alineación adecuada del panel negro:

Todos los bordes exteriores del panel posterior serán iguales a todos los bordes exteriores de su unidad.

Ajustamiento :

Si los bordes exteriores del panel posterior no son iguales al exterior de su unidad, aplique presión en las esquinas de su unidad para cuadrarla. Coloque el panel trasero en la unidad para verificar la cuadratura.

Si es necesario, repita la unidad que es cuadrada.

## **Página 25**

Sujete el enchufe de la luz y la luz LED como se muestra.

## **Página 26**

Fije el soporte de pared (19) al panel superior (C) con el tornillo (7) como se ilustra. NO apriete completamente el tornillo (7) en este paso.

## Página 27

Para mampostería, concreto u otros materiales de pared:

Consulte con su ferretería local sobre los anclajes adecuados para fijar de forma segura el soporte de seguridad.

**IMPORTANTE: ESTA UNIDAD DEBE ESTAR FIJADA A LA PARED PARA AYUDAR A EVITAR EL VUELCO. SIGA ESTAS INSTRUCCIONES PARA INSTALAR EL SOPORTE DE SEGURIDAD ANTIVUELCO PROPORCIONADO CON ESTE PRODUCTO.**

### ADVERTENCIA

Si los muebles se vuelcan, pueden producirse lesiones por aplastamiento graves o mortales.

Para evitar que se vuelque:

\* Instale el sistema de protección contra vuelcos proporcionado

\* Coloque los artículos más pesados en los cajones más bajos.

\* A menos que esté diseñado específicamente para acomodarlo, no coloque televisores u otros objetos pesados encima de este producto.

\* Nunca permita que los niños trepen o se cuelguen de cajones, puertas o estantes.

\* Nunca abras más de un cajón a la vez

El uso de dispositivos de seguridad contra vuelcos sólo puede reducir, pero no eliminar, el riesgo de vuelco.

**OPCIÓN 1: Fijación en un montante de pared (método preferido)**

Usando un buscador de vigas, ubique una viga en la pared. Coloque su unidad contra la pared, con el Soporte de Pared (19) alineado en esta ubicación. Para facilitar la colocación del tornillo, puede perforar un diámetro de 1/8"

orificio guía (3 mm) a través del soporte de pared (19) hacia el montante. Introduzca el tornillo (8) a través del soporte de pared (19) hacia el montante de la pared. Apriete completamente el tornillo (7) en este paso.

**OPCIÓN 2: Fijación en paneles de yeso**

Ubique su unidad donde desee contra una pared y marque la pared a través del Soporte de Pared (19), luego

mueva su unidad a un lado. Taladre un orificio de 3/16" de diámetro (5 mm) en el panel. Introduzca el anclaje de pared (18) en el orificio hasta que quede al ras. Mueva su unidad a su ubicación y fije el soporte de pared (19) al anclaje de pared (18). con el Tornillo (8). Apriete completamente el Tornillo (7) en este paso.

## Página 28

Coloque 5 pernos de leva (1) en el frente del cajón (N) como se ilustra. NO apriete demasiado.

Inserte la clavija de madera (2) en el lado izquierdo del cajón (O) y la clavija de madera (2) en el lado derecho del cajón (P), como se ilustra.

## Página 29

Fije el lado izquierdo del cajón (O) y el lado derecho del cajón (P) a la parte posterior del cajón (Q) con cuatro tornillos (9) como se ilustra.

Deslice la parte inferior del cajón (R) en las ranuras de los paneles del cajón (O), (P) y (Q) como se ilustra. Fije el soporte del cajón (S) al respaldo del cajón (Q) con el tornillo (9) como se ilustra.

## **Página 30**

Fije el frente del cajón (N) a las tablas (O), (P) y (S) con cinco cerraduras de leva (22) como se ilustra. Conecte la manija (20) al frente del cajón (N) con 2 pernos (11) como se ilustra.

## **Página 31**

Inserte el cajón (N) en la unidad.

Para quitar el cajón, si es necesario

- Abre el cajón completamente para que las palancas queden visibles.
- Empuje ARRIBA en la palanca del lado izquierdo y ABAJO en la palanca del lado derecho
- Sosteniendo las palancas en su lugar, jale el cajón hacia usted.

## **Página 32**

Conecte 12 pasadores de estante (16) al panel izquierdo (A) y al panel derecho (B) como se ilustra. Coloque los estantes de vidrio ajustables (K) en el pasador del estante (16) como se ilustra.

## **Página 33**

Conecte dos placas de metal (14) a la puerta izquierda (L) y a la puerta derecha (M) con 4 tornillos (5) como se ilustra.

Conecte la bisagra (21) a la puerta izquierda (L) y a la puerta derecha (M) con 12 tornillos (6) como se ilustra.

## **Página 34**

Fije la puerta izquierda (L) al panel izquierdo (A) con 12 tornillos (6) como se ilustra.

## **Página 35**

Conecte la manija (20) a la puerta izquierda (L) con 2 pernos (12) como se ilustra.

Nota:

1. Asegúrese de apretar el perno inferior (12) a través del anillo en el extremo del cable como se ilustra.
2. Conecte el extremo del cable en la esquina de la puerta al enchufe del adaptador de corriente en el gabinete.

## **Página 36**

Fije la puerta derecha (M) al panel derecho (B) con 12 tornillos (6) como se ilustra.

## **Página 37**

Conecte la manija (20) a la puerta derecha (M) con 2 pernos (12) como se ilustra.

## **Página 38**

Ajuste de la bisagra de la puerta

## **Página 39**

Coloque la unidad contra la pared, conecte el enchufe del adaptador al tomacorriente.

¡La manija izquierda ahora se puede usar para activar o cambiar el nivel de luz!

¡TOCA LA MANIJA IZQUIERDA PARA ACTIVAR/ATENUAR LA LUZ!

## **Página 40**

CARGA MAXIMA

Esta unidad ha sido diseñada para soportar la carga máxima anotada. El exceder estos límites puede causar inestabilidad, colapsarse y/o causar serias lesiones.

ADVERTENCIA: Riesgo de lesiones a las personas - no coloque un televisor sobre muebles. Este mueble no está aprobado para su uso con un televisor.

## **Página 41**

Registre su producto para recibir lo siguiente:

- \* Detalles de nuevas tendencias - Vistazo a lo nuevo
- \* Encuestas - alec su voz entre su comunidad
- \* Códigos de ofertas y descuentos exclusivos
- \* Fácil y rápido servicio de partes de remplace

Para registrar su producto, visite [ameriwoodhome.com](http://ameriwoodhome.com)

Clasificación de 5 estrellas

Visite el sitio web de su distribuidor local, califique el producto que compró y déjenos sus comentarios. Nos gustaría enviar un gran "Agradecimiento" a todos nuestros clientes por tomarse el tiempo de ensamblar este producto de Ameriwood Home, y por darnos sus valiosos comentarios.

Gracias

## **Page 9**

Fixez quatre boulons à came (1) au panneau latéral gauche (C) et au panneau latéral droit (D), comme illustré. Ne pas trop serrer.

## **Page 10**

Fixez le panneau latéral gauche (C) et le panneau latéral droit (D) à l'étagère fixe (G) à l'aide de quatre verrous à came (10), comme illustré.

## **Page 11**

Insérez deux chevilles en bois dans chaque pied (K) comme illustré et répétez l'opération pour les pieds restants.

Fixez les quatre pieds (K) au panneau inférieur (B) à l'aide de quatre boulons (9).

## **Page 12**

Fixez la butée de porte (15) au panneau inférieur (B) à l'aide de deux vis (7), comme illustré.

## **Page 13**

Utilisez un marteau (non inclus) pour enfoncer le loquet magnétique (17) dans le rail supérieur (E), comme illustré.

Assurez-vous que la plaque métallique du loquet magnétique fait face à l'avant du rail.

## **Page 14**

Fixez la barre supérieure (E) au panneau supérieur (A) à l'aide de quatre vis (3), comme illustré. Assurez-vous que la plaque métallique du loquet magnétique fait face à l'avant de l'appareil.

Fixez quatre boulons à came (1) au panneau supérieur (A), comme illustré. Ne pas trop serrer.

## **Page 15**

Insérez quatre chevilles en bois (2) dans le panneau latéral gauche (C) et le panneau latéral droit (D), comme illustré.

Fixez le panneau inférieur (B) au panneau latéral gauche (C) et au panneau latéral droit (D) à l'aide de quatre boulons (9) et de quatre écrous cylindriques (11), comme illustré.

## Couverture Avant

CE LIVRET D'INSTRUCTION CONTIENT DES INFORMATIONS **IMPORTANTES** SUR LA SÉCURITÉ.  
VEUILLEZ LIRE ET GARDER POUR UNE RÉFÉRENCE FUTURE

**Ne retournez pas ce produit!** Contactez notre équipe de service à la clientèle amicale d'abord pour obtenir de l'aide.

**Appelez-nous:** 1-800-489-3351 (sans frais)

**Visitez:** [www.ameriwoodhome.com](http://www.ameriwoodhome.com)

## ATTENTION

Le meuble peut basculer et causer des blessures graves ou la mort.

Ancrer le meuble à une planche murale dans le mur (si indiqué).

Ne laissez pas les enfants grimper sur le meuble.

Placez les articles lourds sur les étagères ou dans les tiroirs inférieurs.

## Astuces Utiles (page 2)

-Ouvrez votre article dans la zone que vous prévoyez de le garder pour moins de levage lourd

-Identifier, trier et compter les pièces avant d'essayer d'assembler

-Les goujons de compression sont taraudés avec un Marteau

-Assurez-vous toujours de faire face la pointe situé sur le haut de la Serrure de Came vers le bord extérieur

-Utiliser tous les clous fournis pour le panneau arrière et les répartir également

-Le panneau arrière doit être utilisé pour vous assurer que votre appareil est robuste

-N'utilisez pas de produits chimiques agressifs ou de nettoyeurs abrasifs sur cet appareil

-Ne jamais pousser, tirer, ou faire glisser votre meuble

## Avant de Commencer (page 3)

-Lisez attentivement chaque étape et suivez le bon ordre

-Séparez et comptez toutes vos pièces et matériaux

-Donnez-vous suffisamment de place pour l'assemblage

-Avoir les outils suivants: #2 tournevis Phillips, et Marteau

-Attention: Si vous utilisez une perceuse électrique ou un tournevis électrique pour visser, veillez à ralentir et arrêter lorsque la vis est bien serrée. Le non-respect de cette consigne peut endommager la vis.

## Système de Fixation de Came (page 3)

Ce Système de Fixation de Came sera utilisé tout au long de l'assemblage

## Identification des matériaux (Page 5-7)

Pas de taille réelle

- (A) PANNEAU GAUCHE
- (B) PANNEAU DROIT
- (C) PANNEAU DU HAUT
- (D) ETAGÈRE FIXE
- (E) PANNEAU DU BAS
- (F) JUPE GAUCHE
- (G) JUPE DROITE
- (H) JUPE AVANT
- (I) JUPE ARRIÈRE
- (J) PANNEAU ARRIÈRE
- (K) TABLETTES EN VERRE RÉGLABLES
- (L) PORTE GAUCHE
- (M) PORTE DROITE
- (N) FAÇADE DU TIROIR
- (O) CÔTÉ TIROIR GAUCHE
- (P) CÔTÉ TIROIR DROIT
- (Q) TIROIR ARRIÈRE
- (R) FOND DE TIROIR
- (S) SUPPORT DE TIROIR

## Liste des pièces (Page 9) Taille réelle

- (1) Boulon à came
- (2) Cheville en bois
- (3) Cheville en bois
- (4) Vis
- (5) Vis
- (6) Vis
- (7) Vis
- (8) Vis
- (9) Vis
- (10) Vis
- (11) Boulon court
- (12) Boulon long

## Liste des pièces (Page 10) Pas de taille réelle

- (13) Butée de porte
- (14) Plaque de métal
- (15) Loquet magnétique
- (16) Goupille d'étagère
- (17) Pince à fil
- (18) Ancrage mural
- (19) Support mural
- (20) Poignée
- (21) Charnière
- (22) Verrouillage à came
- (23) Couverture

### Page 12

Fixez 4 boulons à came (1) au panneau gauche (A) et au panneau droit (B), comme illustré. Ne pas trop serrer. Insérez quatre chevilles en bois (3) dans le panneau gauche (A) et quatre chevilles en bois (3) dans le panneau droit (B), comme illustré.

### Page 13

Fixez la butée de porte (13) à l'étagère fixe (D) avec 2 vis (4) comme illustré. Insérez quatre chevilles en bois (3) dans l'étagère fixe (D), comme illustré.

### Page 14

Fixez l'étagère fixe (D) au panneau gauche (A) avec 2 verrous à came (22), comme illustré.

### Page 15

Fixez le panneau droit (B) à l'étagère fixe (D) avec 2 verrous à came (22), comme illustré.

### Page 16

Fixez 4 boulons à came (1) au panneau supérieur (C), comme illustré. Ne pas trop serrer. Fixez le loquet magnétique (15) au panneau supérieur (C) avec 2 vis (4) comme illustré.

### Page 17

Fixez le panneau supérieur (C) au panneau gauche (A) et au panneau droit (B) avec 4 verrous à came (22), comme illustré.

### Page 18

Fixez 8 boulons à came (1) à (F), (G) et (H) comme illustré. Ne pas trop serrer. Insérez 9 chevilles en bois (3) dans (F), (G), (H), (I) comme illustré.

## Page 19

Fixez la jupe gauche (F), la jupe droite (G) à la jupe arrière (I) avec 4 verrous à came (22), comme illustré.  
Fixez la jupe avant (H) à la jupe gauche (F) et à la jupe droite (G) avec 4 verrous à came (22), comme illustré.

## Page 20

Fixez 9 boulons à came (1) au bas (E) comme illustré. Ne pas trop serrer.

## Page 21

Fixez le bas (E) à (F), (G), (H) et (I) avec 9 verrous à came (22), comme illustré.

## Page 22

Fixez 4 boulons à came (1) au bas (E) comme illustré. Ne pas trop serrer.

## Page 23

Fixez le cadre inférieur au panneau gauche (A) et au panneau droit (B) avec 4 verrous à came (22), comme illustré. Ne pas trop serrer.

## Page 24

Avec l'aide d'une deuxième personne, retournez délicatement l'appareil afin que le dos soit accessible.

Insérez le fil dans le clip (17) comme illustré.

Fixez le panneau arrière (J) et le clip (17) à l'unité comme indiqué. Vérifiez que l'unité est carrée avant de la connecter avec 32 vis (10).

**AVERTISSEMENT :** Veuillez vous assurer que les dos sont solidement fixés.

Toutes les vis doivent être enfoncées dans les pièces bien droites et serrées fermement. Ne pas le faire pourrait provoquer une instabilité, un effondrement du produit et/ou des blessures graves.

Avant de fixer le panneau arrière assurez-vous que l'appareil est à 90°.

Alignement correct du panneau noir :

Tous les bords extérieurs du panneau arrière seront égaux à tous les bords latéraux extérieurs de votre appareil.

### Ajustement :

Si les bords extérieurs du panneau arrière ne sont pas égaux à l'extérieur de votre unité, appliquez une pression sur les coins de votre unité pour aligner votre unité. Positionnez le panneau arrière sur l'unité pour vérifier l'équerrage. Si nécessaire, l'unité de répétition est carrée.

## Page 25

Fixez la fiche d'éclairage et la lumière LED ensemble comme indiqué.

## Page 26

Fixez le support mural (19) au panneau supérieur (C) avec la vis (7) comme illustré. Ne serrez PAS complètement la vis (7) à cette étape.

## Page 27

Pour la maçonnerie, le béton ou d'autres matériaux muraux :

Consultez votre quincaillerie locale pour connaître les ancrages appropriés pour fixer solidement le support de sécurité.

**IMPORTANT : CET APPAREIL DOIT ÊTRE FIXÉ AU MUR POUR AIDER À ÉVITER LE RENVERSEMENT. SUIVEZ CES INSTRUCTIONS POUR INSTALLER LE SUPPORT DE SÉCURITÉ ANTI-BASCULEMENT FOURNI AVEC CE PRODUIT.**

### AVERTISSEMENT

Des blessures graves, voire mortelles, par écrasement peuvent survenir en cas de renversement des meubles.

Pour éviter le basculement :

\* Installer le dispositif de retenue contre le basculement fourni

\* Placez les objets les plus lourds dans les tiroirs les plus bas

\* Sauf si spécifiquement conçu pour accueillir, ne placez pas de téléviseurs ou d'autres objets lourds sur le dessus de ce produit.

\* Ne laissez jamais les enfants grimper ou s'accrocher aux tiroirs, aux portes ou aux étagères.

\* N'ouvrez jamais plus d'un tiroir à la fois

L'utilisation de dispositifs de retenue contre le basculement peut seulement réduire, mais pas éliminer, le risque de basculement.

### OPTION 1 : Fixation dans un montant mural (méthode privilégiée)

À l'aide d'un détecteur de montants, localisez un montant dans le mur. Placez votre appareil contre le mur, avec le support mural (19) aligné à cet endroit. Pour faciliter l'enfoncement de la vis, vous pouvez percer un diamètre de 1/8"

trou pilote (3 mm) à travers le support mural (19) dans le montant. Enfoncez la vis (8) à travers le support mural (19) dans le montant mural. Serrez complètement la vis (7) à cette étape.

### OPTION 2 : Fixation dans une cloison sèche

Placez votre appareil là où vous le souhaitez contre un mur et marquez le mur à travers le support mural (19), puis

écartez votre appareil. Percez un trou de 3/16" de diamètre (5 mm) dans le panneau mural. Enfoncez l'ancrage mural (18) dans le trou jusqu'à ce qu'il affleure. Déplacez votre appareil en place et fixez le support mural (19) à l'ancrage mural (18). avec la Vis (8). Serrez complètement la Vis (7) à cette étape.

## Page 28

Fixez 5 boulons à came (1) dans le devant du tiroir (N), comme illustré. Ne pas trop serrer.

Insérez la cheville en bois (2) dans le côté gauche du tiroir (O) et la cheville en bois (2) dans le côté droit du tiroir (P), comme illustré.

## Page 29

Fixez le côté gauche du tiroir (O) et le côté droit du tiroir (P) au dos du tiroir (Q) à l'aide de quatre vis (9), comme illustré.

Faites glisser le bas du tiroir (R) dans les rainures des panneaux du tiroir (O), (P) et (Q), comme illustré.

Fixez le support de tiroir (S) au dos du tiroir (Q) avec la vis (9), comme illustré.

## Page 30

Fixez la façade du tiroir (N) aux planches (O), (P) et (S) avec cinq verrous à came (22), comme illustré.

Fixez la poignée (20) à la façade du tiroir (N) avec 2 boulons (11), comme illustré.

## Page 31

Insérez le tiroir (N) dans l'unité.

Pour retirer le tiroir, si nécessaire

- Tirez le tiroir pour l'ouvrir complètement afin que les leviers soient visibles.
- Poussez vers le HAUT sur le levier latéral gauche et vers le BAS sur le levier latéral droit
- En maintenant les leviers en place, tirez le tiroir vers vous.

## Page 32

Fixez les 12 goupilles d'étagère (16) au panneau gauche (A) et au panneau droit (B), comme illustré.

Placez les étagères en verre réglables (K) sur la goupille d'étagère (16), comme illustré.

## Page 33

Fixez deux plaques métalliques (14) à la porte gauche (L) et à la porte droite (M) avec 4 vis (5), comme illustré.

Fixez la charnière (21) à la porte gauche (L) et à la porte droite (M) avec 12 vis (6), comme illustré.

## Page 34

Fixez la porte gauche (L) au panneau gauche (A) avec 12 vis (6), comme illustré.

## Page 35

Fixez la poignée (20) à la porte gauche (L) avec 2 boulons (12), comme illustré.

Note:

1. Assurez-vous de serrer le boulon inférieur (12) à travers l'anneau à l'extrémité du fil, comme illustré.
2. Connectez l'extrémité du fil au coin de la porte à la prise de l'adaptateur secteur sur l'armoire.

## Page 36

Fixez la porte droite (M) au panneau droit (B) avec 12 vis (6), comme illustré.

## Page 37

Fixez la poignée (20) à la porte droite (M) avec 2 boulons (12) comme illustré.

## Page 38

Réglage charnière de porte.

## Page 39

Placez l'appareil contre le mur, branchez la fiche de l'adaptateur à la prise.

La poignée gauche peut désormais être utilisée pour activer ou modifier le niveau de lumière !.

TOUCHEZ LA POIGNÉE GAUCHE POUR ACTIVER / DIMINUER LA LUMIÈRE !

## Page 40

### CHARGES MAXIMALES

Ce meuble a été conçu pour supporter les charges maximales indiquées. En excédant ces limites de charge, le meuble pourrait devenir instable, s'effondrer, et/ou causer des blessures graves.

AVERTISSEMENT : Risque de blessure corporelle - ne pas placer une télévision sur ce meuble. Ce meuble n'est pas approuvé pour une utilisation avec une télévision.

## Page 41

Enregistrez votre produit pour recevoir les éléments suivantes:

- \* Détails sur les nouvelles tendances - un aperçu sur les nouveautés
- \* Sondages - avoir une voix au sein de notre communauté
- \* Offres exclusives et codes promo
- \* Service de pièces de rechange rapide et facile

Pour enregistrer votre produit, visitez [ameriwoodhome.com](http://ameriwoodhome.com)

## 5 Étoiles

Visitez le site Web de votre détaillant local, évaluez le produit que vous avez acheté et laissez-nous vos commentaires !

Nous tenons à offrir un grand "Merci" à tous nos clients pour avoir pris le temps d'assembler ce produit "Ameriwood Home", et de nous donner vos commentaires précieux.

Merci