

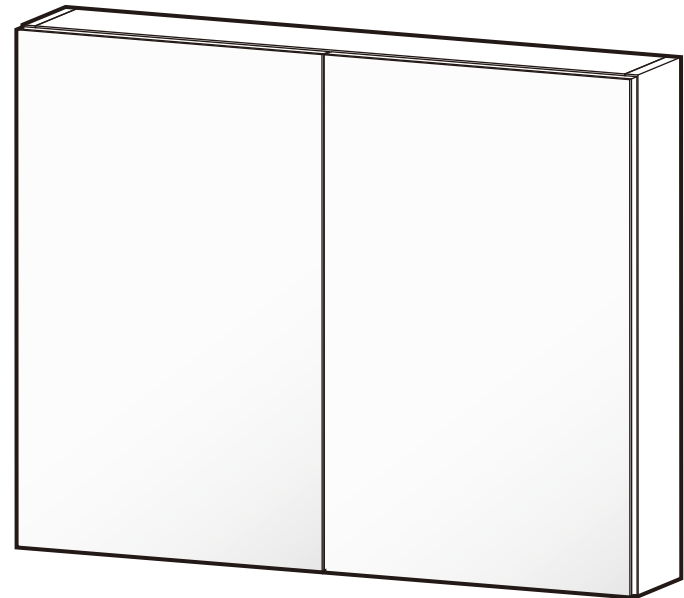
# ASSEMBLY INSTRUCTIONS

DBR

# SERA

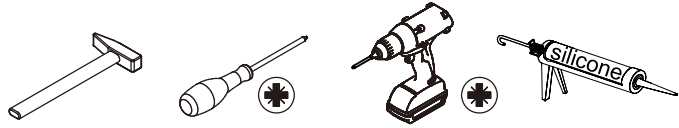
BATHROOM  
DESIGNS

IND30DBRMCKD

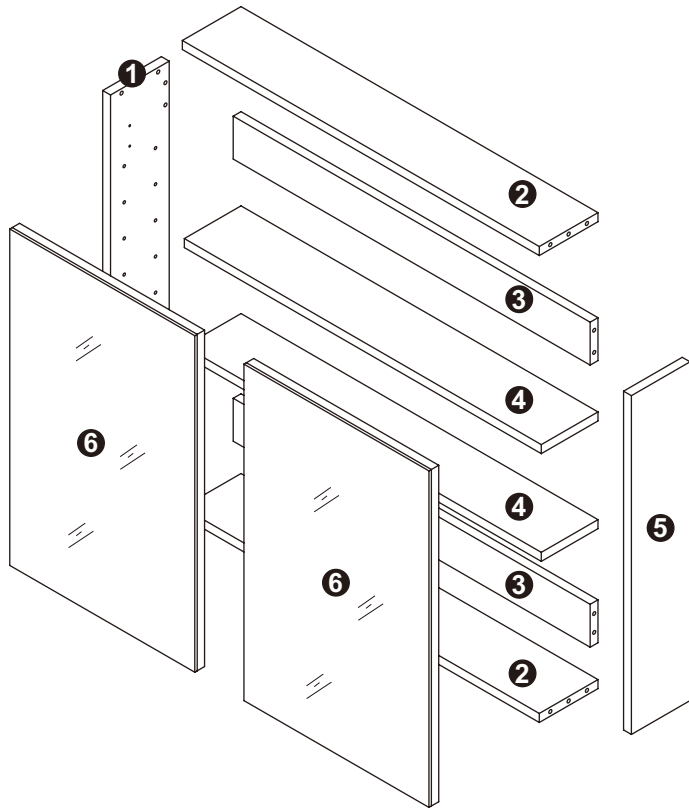




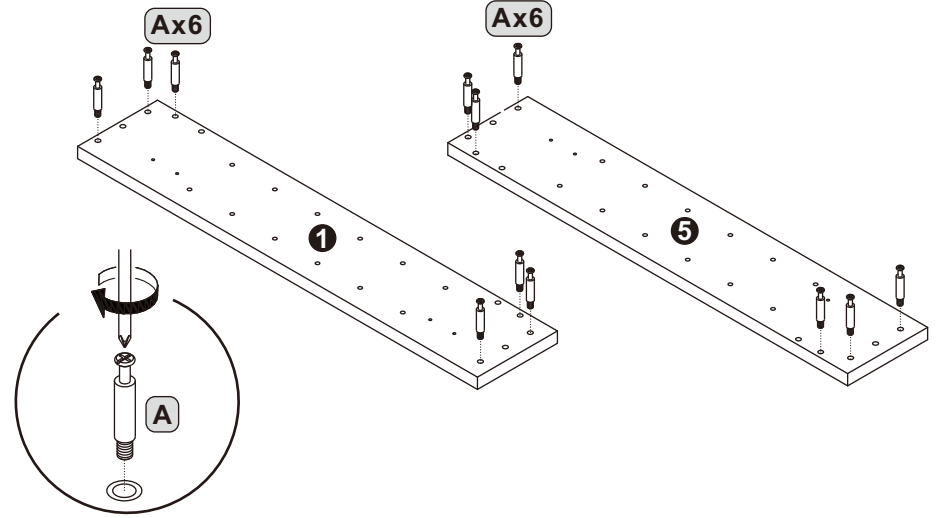
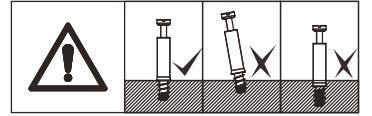
Please prepare the following tools



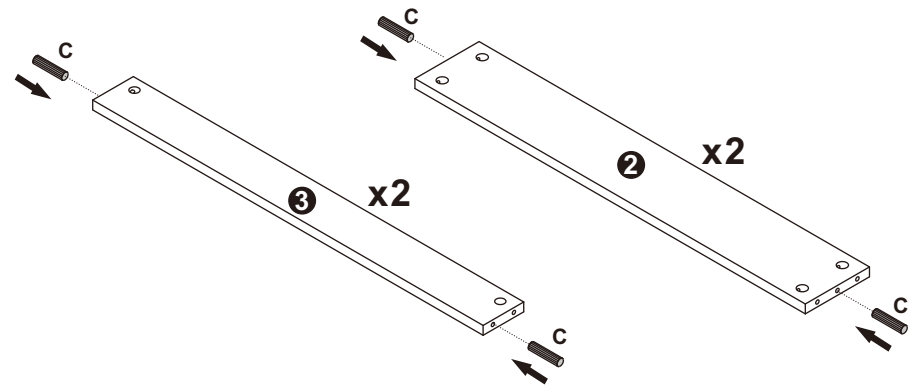
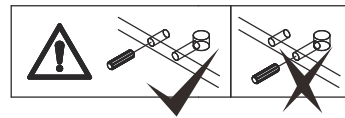
<b>Ax12</b> 	<b>Bx12</b> 	<b>Cx8</b> 	<b>Dx24</b>  M4*16	<b>Ex4</b> 
<b>Fx8</b> 				



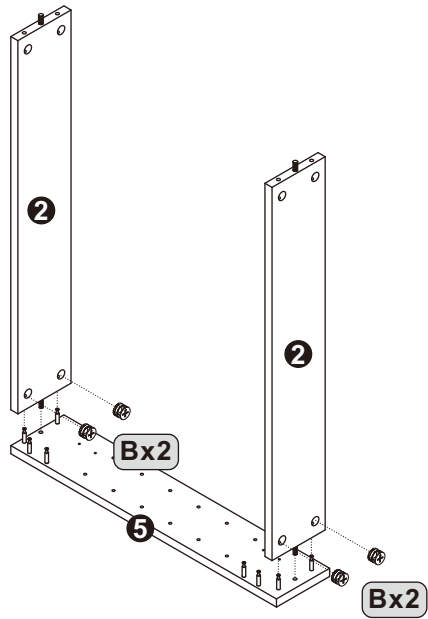
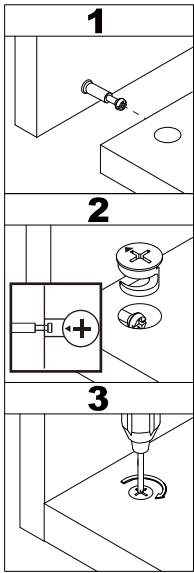
1



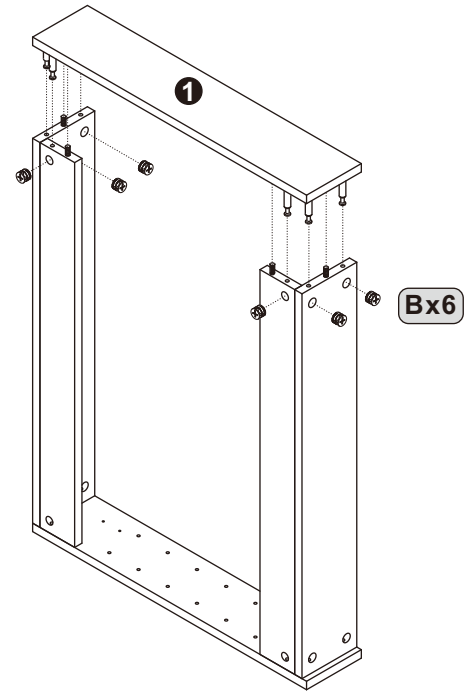
2



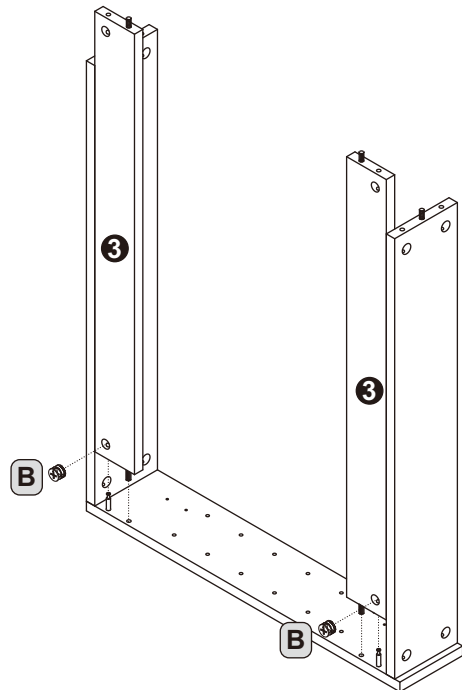
3



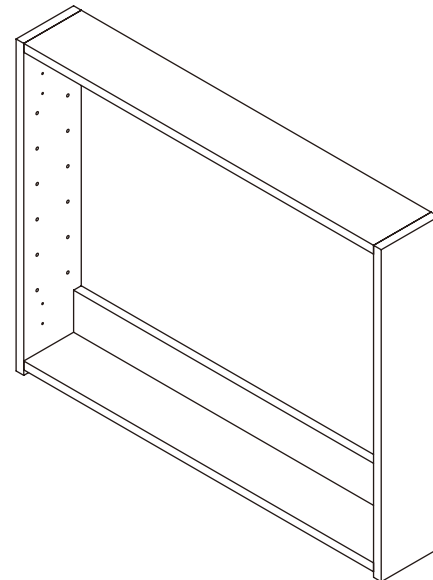
5



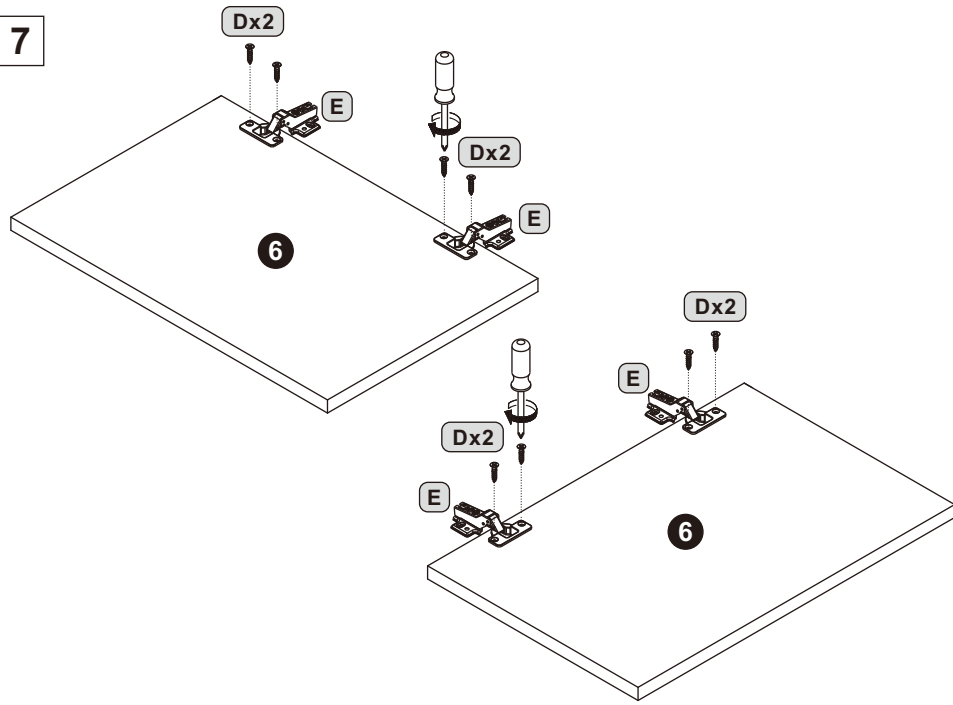
4



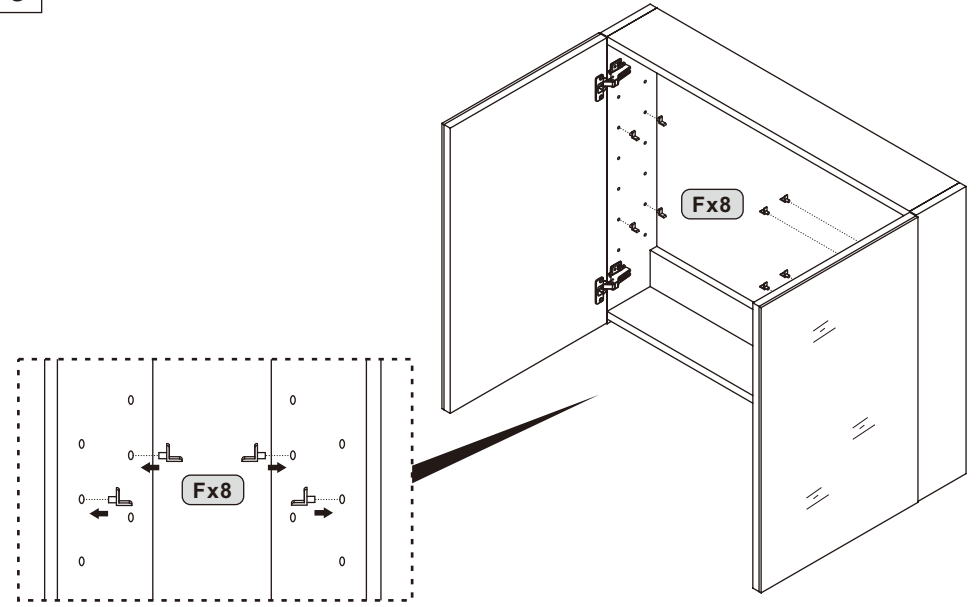
6



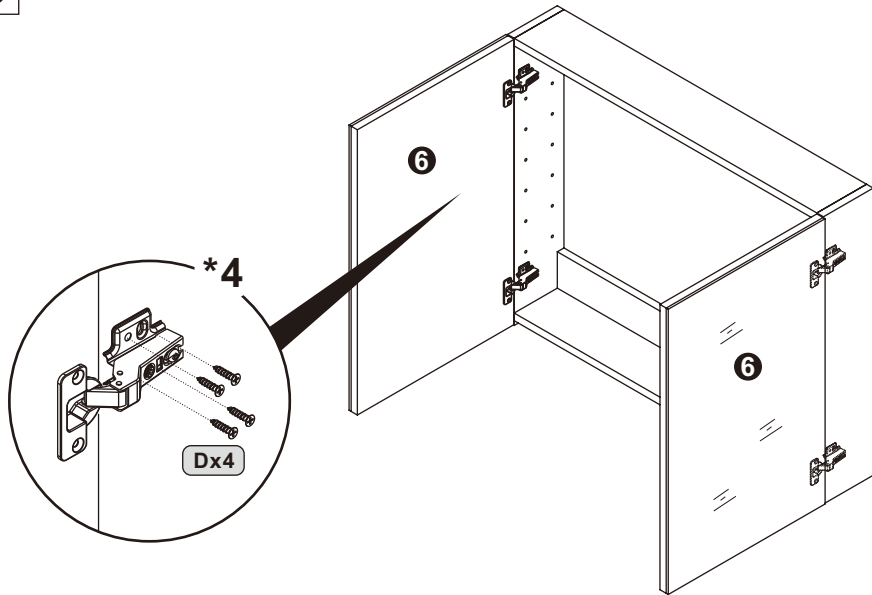
7



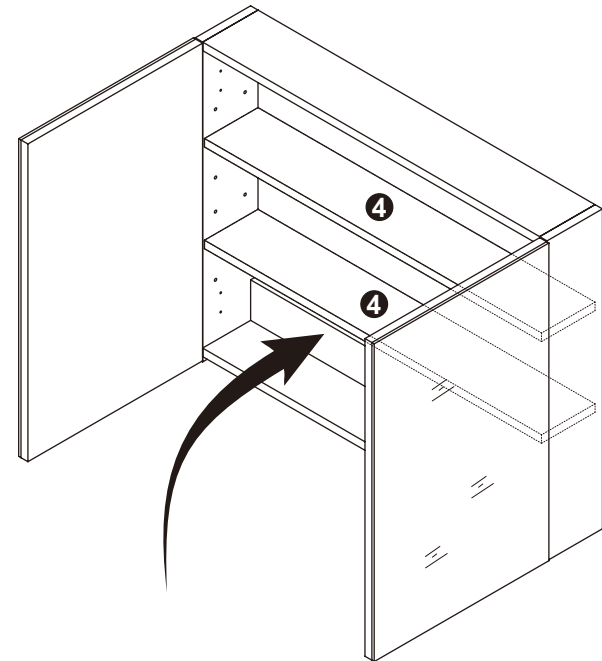
9



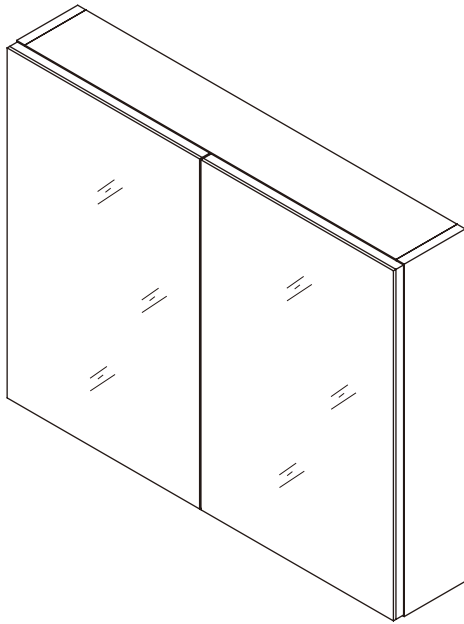
8



10



11



**DOOR ADJUSTMENT**

