

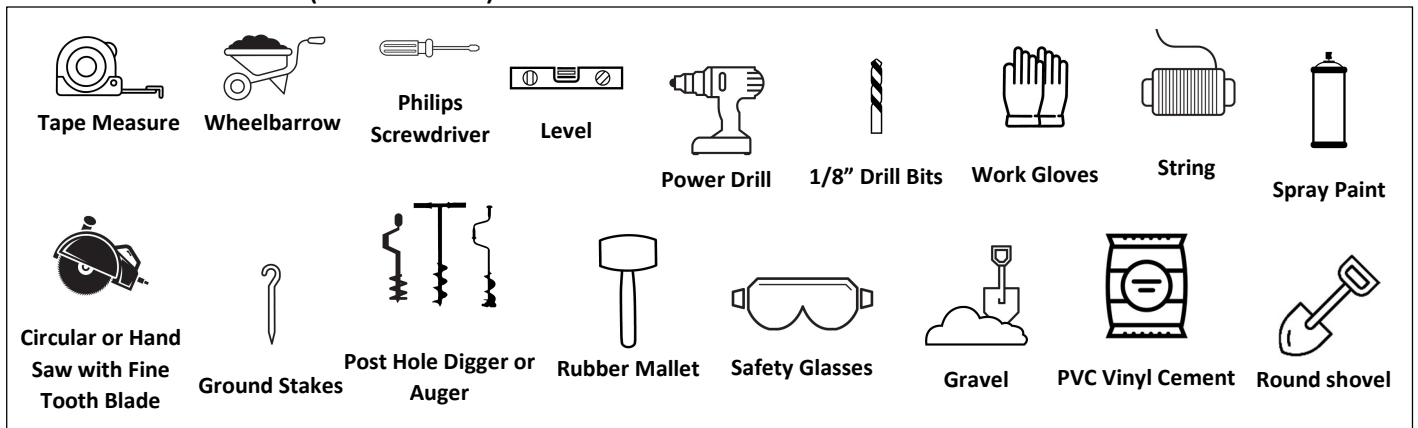
# Vinyl Fencing (6x6 – 866615 & 866616 – Post) Installation Guide

## READ ALL INSTRUCTIONS CAREFULLY BEFORE BEGINNING THE INSTALLATION

Important: Contact your local authorities prior to digging any post holes to locate and identify possible buried utilities.

Prior to installation, it is the responsibility of the installer to meet all code and safety requirements, and to obtain all required building permits. Contact your local authorities regarding any local zoning laws, neighborhood associations and/or historic districts that may regulate size, type, placement, and ability of fencing. Ensure compliance before starting your fence installation. J. Sonic Services and its distributors shall not be held liable for improper or unsafe installations.

### TOOLS AND MATERIALS (NOT INCLUDED)



### PREPARATION

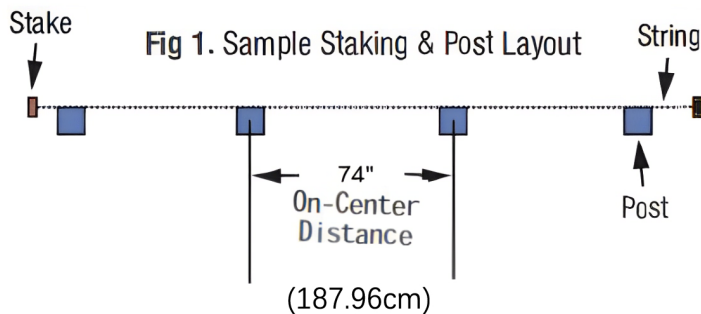
Careful planning and measurement of your fence project is essential, as moving posts after the concrete sets is extremely difficult.

It is highly recommended to measure the panels prior to setting your posts.

Consider soil conditions, slopes, utility locations and property lines when positioning posts.

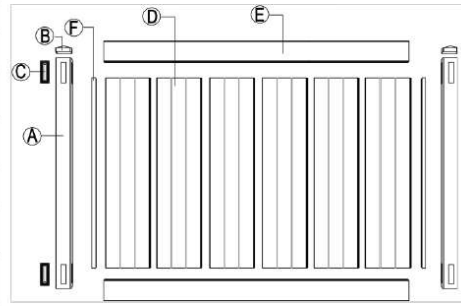
Run a string line to locate the fence line and establish the outside faces of your posts.

Mark the centers of the post locations for your fence.



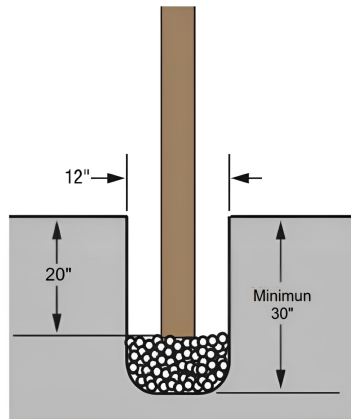
## COMPONENTS

Item	Product Name	Size	Qty.
A	Vinyl Post	5 x 5 x 96 inch 12.7 x 12.7 x 243.84 cm	1
B	Post Cap	5 x 5 inch 12.7 x 12.7 cm	1
C	Decorative Hole Cover	7.25 x 3 inch 18.415 x 7.62 cm	4
D	Fence Panel Pickets	11.3 x 7/8 x 62.25 inch 28.7 x 2.22 x 158.12 cm	6
E	Top & Bottom Rails	2 x 6 x 71.5 inch 5.08 x 15.24 x 181.16 cm	2
F	U-Channel	59.25 inch 150.5 cm	2
A, B & C included in post kit 866616 (sold separately) F, D & E included in fence panel kit (866615)			



## SETTING POSTS

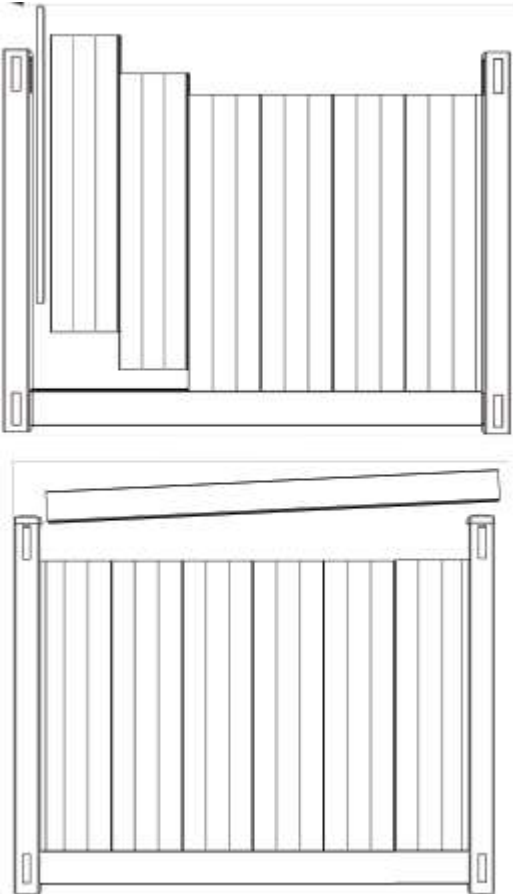
- 1a. Once you have confirmed the proper spacing, use spray paint to mark the positions of all the posts.
- 1b. Dig or auger post holes. The vinyl posts require a 12" (30.48 cm) diameter hole and must be at least 30" (76.2 cm) below grade. In frost regions, the post holes should be deep enough to extend below the frost line.



- 1c. Mix concrete according to manufacturer's specifications. Fill the bottom of the hole to a level 20" (50.8 cm) from the surface.
- 1d. Set the post into the hole, be sure it is in line with your strong layout.
- 1e. Pour concrete around the post approximately 6" at a time. Tamp to eliminate air pockets and continually check that they are level.
- 1f. Before the concrete sets, sight down the fence line to be sure all posts align, and are at the same height. High posts can be driven deeper by placing a wooden block across the top and tapping them down with a rubber mallet. Allow concrete to set 24-48 hours.

**FENCE PANELS**

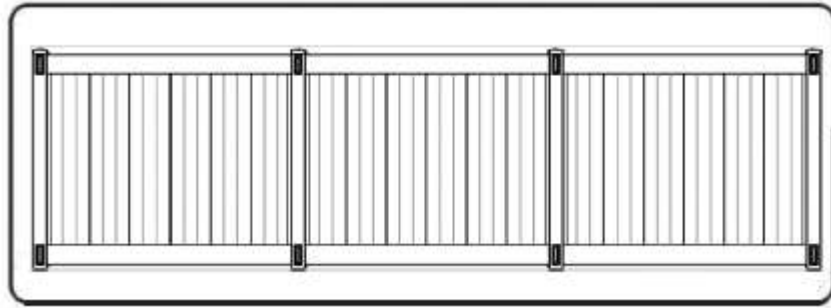
1a. Insert bottom rail (E) into the hole on post A at one side and then insert into the other side. Insert the panels (D). Note that u-channels (F) are connected with two terminal panels. Insert top rail (E) in the same manner as bottom rail.



1b. Insert decorative hole covers (C) into unused holes in posts.

1c. Affix the post caps (B) using PVC Glue

**REPEAT THE STEPS ABOVE FOR EACH FENCE SECTION UNTIL THE FENCE IS COMPLETE.** Keep in mind the location of the fence gate.



### **CARE & MAINTENANCE**

Step 1 – Add about half a cup to a cup of white vinegar to a gallon of water.

Step 2 – Apply to fence and scrubs with a soft bristled scrub brush or sponge.

Step 3 – Rinse the fence thoroughly with your garden hose.