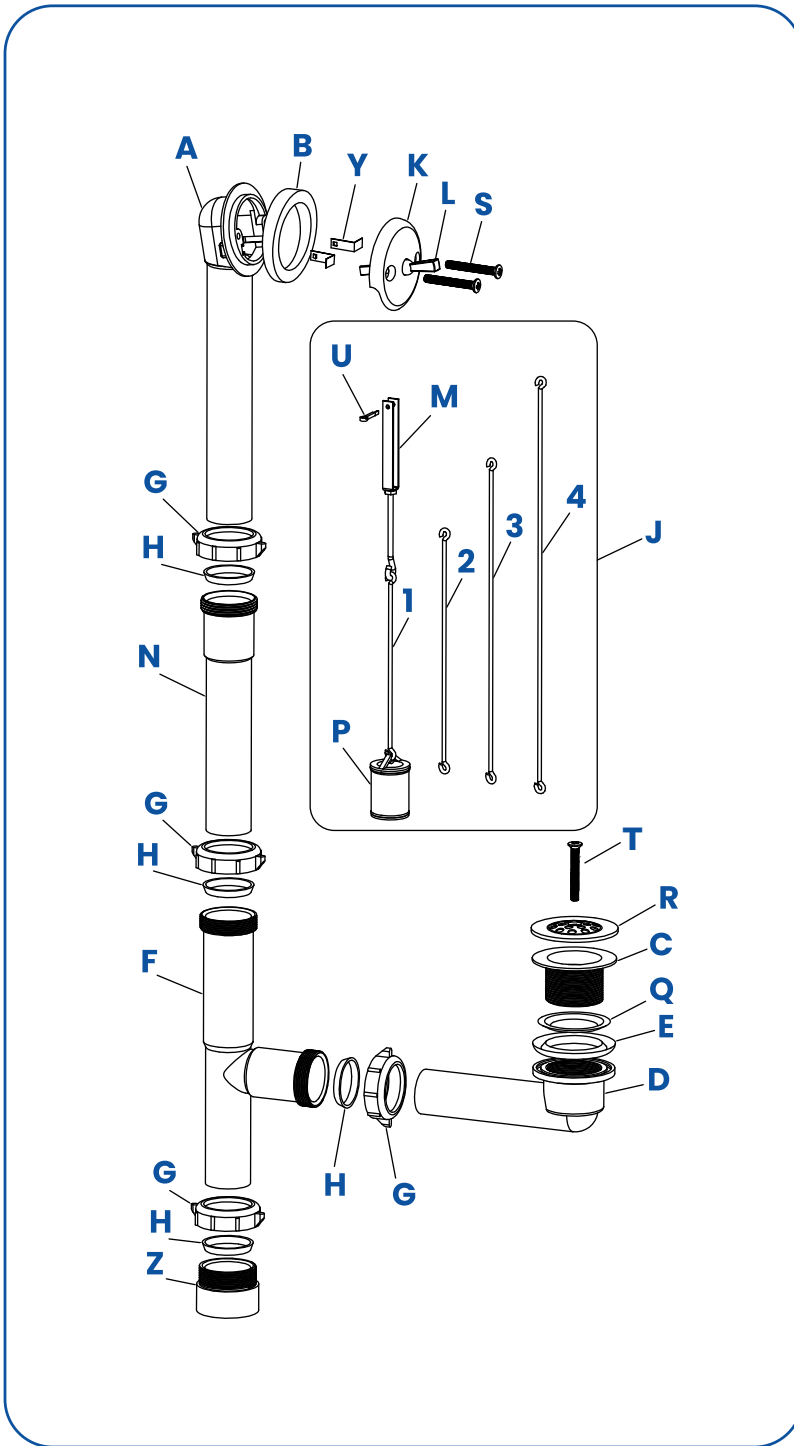


P DRAIN SERIES



Parts Diagram

A	Overflow Elbow
B	Overflow Rubber Washer
C	Strainer
D	Drain Elbow
E	Drain Rubber Washer
F	Waste Tee
G	Slip Nut
H	Washer
J	Trip Lever Linkage
1-4	Linkage Wires
K	Trip Lever Face Plate
L	Trip Lever Handle
M	Threaded Rod
N	Extension Tube
P	Plunger
Q	Strainer Upper Gasket
R	Strainer Grid Plate
S	Overflow Plate Screws
T	Strainer Grid Screw
U	Cotter Pin
Y	Overflow Retainer Clips
Z	Drain Adapter

Prior To Installation

- These products must **ONLY** be installed by a fully insured and licensed plumber.
- Installation of the product by anyone other than a fully insured and licensed plumber shall void the limited warranty.
- Building and plumbing codes may vary from state to state.
- Streamline is not responsible for any local code compliance for this product.
- Please be advised that the warranty does not cover product failures resulting from improper installation.

- Please note that any damage, including chips and scratches, that occurs at the job site is excluded from the warranty coverage.
- Properly installing drain components is the sole responsibility of the installer. Streamline does not provide warranty coverage for leaks associated with improper waste installation.
- Streamline is not liable for defects or issues that arise or could have been prevented by inspecting and testing all plumbing connections for leaks before completing the installation.
- Streamline shall not be held liable for any and all fees stemming from the cost of installation, re-installation, removal, subsequent damage, or transportation in the case of a product defect. Streamline shall not be held responsible for defects or damage that could have been discovered, repaired, or avoided by inspection and testing before installation.
- Before finalizing installation, ensure all plumbing connections are tested, and checked for leaks. Streamline will not be held responsible for defects or issues that arise from neglecting this crucial step.

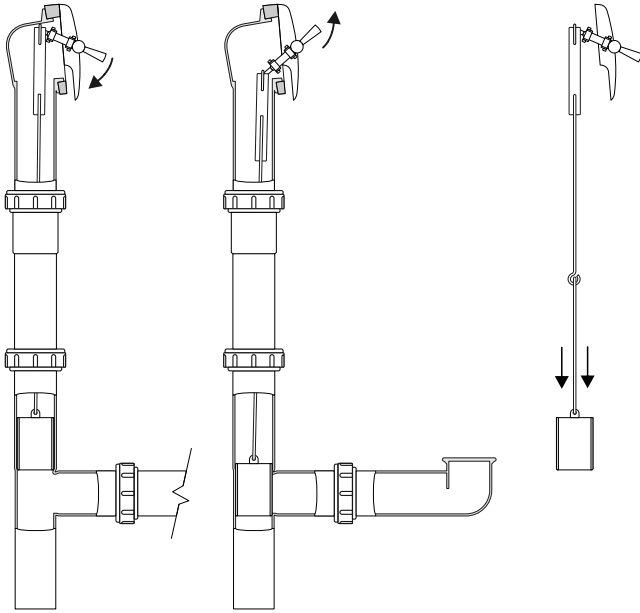
Please be aware that the following are general installation guidelines. Depending on the specific bathtub model purchased, you may need to adjust the length of the pipes to fit the bathtub properly. If necessary, use a plastic drainpipe cutter for any required modifications.

Installation Instructions

- 1.** Attach the strainer upper gasket **(Q)** to the strainer **(C)**. Spread silicone sealant (not included) along the underside flange of the strainer **(C)**. Align the drain elbow **(D)** and the rubber drain washer **(E)** from underneath the bathtub drain hole. Insert the strainer **(C)** into the drain hole and securely attach it from underneath the bathtub to the rubber drain washer **(E)** and to the drain elbow **(D)**. Use pliers or a strainer wrench (not included) to tighten it.
- 2.** Position a slip nut **(G)** and washer **(H)** onto the drain elbow **(D)**, orienting the threads of the slip nut and the beveled edge of the washer toward the end of the tube.
- 3.** Slide a slip nut **(G)** and washer **(H)** onto the overflow elbow **(A)**, ensuring that the threads of the slip nut and the beveled edge of the washer are oriented toward the end of the tube.
- 4.** Next, position the rubber overflow washer **(B)** onto the overflow elbow **(A)**, with the thicker lip facing the overflow elbow's upper part, as indicated in the drawing.
- 5.** Insert the longer arm of the retainer clips **(Y)** into the slots located just below the screw holes on the overflow elbow **(A)**.
- 6.** Measure from the center of the overflow hole to the bottom of the bathtub, where the drain elbow **(D)** will connect to the waste tee **(F)**. Determine if the extension tube **(N)** is needed based on the measured height.

- 7.** If the extension tube **(N)** is needed for the desired overflow height, insert the overflow elbow **(A)** into the extension tube **(N)**, and carefully tighten the slip nut **(G)** without over-tightening. Then, position a slip nut **(G)** and washer **(H)** on the extension tube **(N)**, orienting the threads of the slip nut and the beveled edge of the washer toward the end of the tube. Insert the extension tube **(N)** into the waste tee **(F)** and gently tighten the slip nut **(G)** without over-tightening.
- 7a.** Please note that the extension tube **(N)** can be cut if necessary to fit the bathtub properly.
- 8.** If the extension tube **(N)** is unnecessary, refrain from using it. Instead, insert the overflow elbow **(A)** into the waste tee **(F)** and gently tighten the slip nut **(G)** without over-tightening.
- 9.** Position the overflow elbow **(A)** over the overflow hole from the bathtub's exterior.
- 10.** Connect the trip lever linkage **(J)** to the trip lever faceplate **(K)** by aligning the holes and inserting the cotter pin **(U)**. Then, using pliers, twist the pin to secure the connection.
- 11.** From the interior of the bathtub, insert the linkage assembly **(J)** and the faceplate **(K)** through the overflow elbow **(A)**. The drain assembly includes four linkage wires **(1-4)** to establish the suitable height of the linkage assembly. Refer to the next page of the installation manual to identify the correct wire based on the bathtub's soaking depth. If necessary, adjust the linkage length by turning the threaded rod **(M)**.
- 12.** With the trip lever set to the closed position, ensure that the plunger **(P)** rests on the internal stop of the waste tee **(F)**.
- 13.** Secure the trip lever plate **(K)** to the overflow elbow **(A)** by using the two overflow plate screws **(S)**.
- 14.** Verify the functionality of the plunger mechanism by raising and lowering the trip lever handle **(L)**.
- 15.** Install the strainer grid plate **(R)** and fasten it securely using the strainer grid screw **(T)**.
- 16.** Firmly tighten all slip joint connections. Perform a water test on the entire installation by filling the tub with water up to the overflow opening and inspecting for any signs of leakage from underneath the tub. Let the water sit in the bathtub for a minimum of 30 minutes and inspect if leakage is occurring.

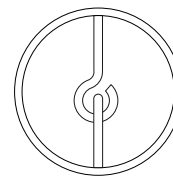
Adjusting The Linkage Assembly



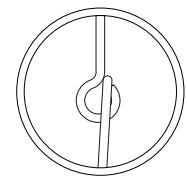
1. Insert the linkage assembly into the overflow, ensuring the trip lever is in the open position (Facing down).
2. Secure the overflow plate onto the overflow drain.
3. Push the trip lever firmly to the closed position (Facing up) in order to set the plunger in the drain.
4. Conduct a water test to check if the plunger is at the correct height.
5. If not, adjust the linkage length by turning the threaded rod or choose a different linkage wire.

Ensure that the linkage wire is correctly attached during the installation of the trip lever drain, as an improper installation may impact drainage.

Correct



Incorrect



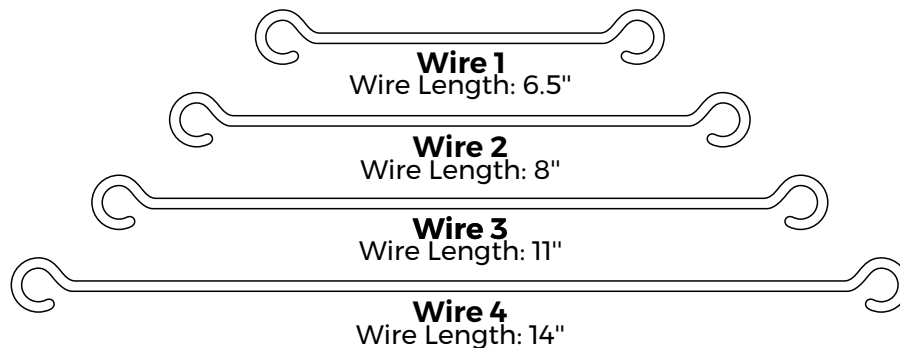
Linkage Wire Diagram

Step 1

Measure the distance from the center of the overflow hole to the bottom of the bathtub, where the drain elbow meets the waste tee.

Step 2

Refer to the table below and select the correct linkage wire for the distance measured.



Measurement From Step 1

Use Wire

11" to 14"	1
12.5" to 15.5"	2
15.5" to 18.5"	3
17.5" to 20.5"	4

*Drawings are not to scale