

AB33FARM Installation Instructions



We manufacture kitchen sinks made of compound material containing polymethylmethacrylate loaded with 80% of granite crystals and atomised quartz. The particular properties of these materials make the finished product extremely resistant to shock, scratch, breakage, chemical agents, heat and dirt. A correct and proper use assures the sink a long-lasting life (consult final page for the advice on the care and maintenance of the sink). The latest technological advances are used in the manufacturing process. Our sinks are tested several times during the production process to ensure that they comply with rigorous quality standards. The sinks can be installed on virtually any type of countertop, including wood, plastic, marble, etc.

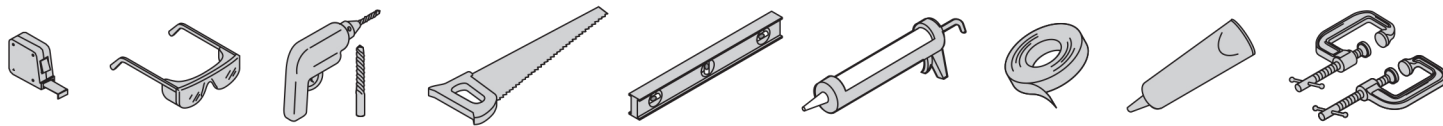
If a washing machine or dishwasher is going to be installed beneath the sink top, proceed as follows:


- To prevent overheating, which may result in the deformation of the sink, adjust the feet on the washing machine/dishwasher so that there is sufficient ventilation between the appliance and the sink.
- To facilitate air circulation and cooling, we recommend to provide the cabinet base with ventilation slots.

PRACTICAL ADVICE ON THE CARE AND MAINTENANCE OF THE SINK

- Avoid placing pots, pans or other hot objects in excess of 300°C - 572°F on the surface of the sink (CAUTION! The bottom of a pot or pan just removed from the burner can reach temperatures of over 600°C). Pots, pans and other hot objects must be placed on appropriate potholders (made of wood, rubber, etc.).
- Avoid causing excessive thermal shock due to the presence of very hot and very cold objects on the sink at the same time.
- Do not use the sink as a cutting surface: rather, use a cutting board made of hardwood or polyethylene, which can be purchased together with the sink. The use of wire baskets or small tubs made of polycarbonate (which can be purchased together with the sink) can reduce the risk of accidental damage.
- Do not use abrasive detergents or metal cleaning pads to clean the sink because they could scratch the surface, making it susceptible to stains.
- Sink can be damaged by dropping heavy or pointed objects on its surfaces.
- Scratches and chips on the surface of the sink can be removed using sandpaper and then a coat of polish.
- CAUTION! Do not pour alcohol, gasoline, trichloroacetic acid or any solvents in general into or onto the sink because they could react with the chemical structure of the composite material and damage it beyond repair.

TOOLS AND MATERIALS NEEDED

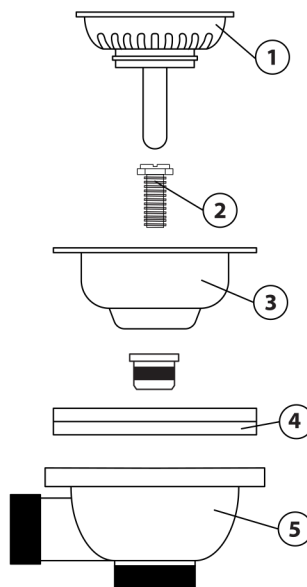
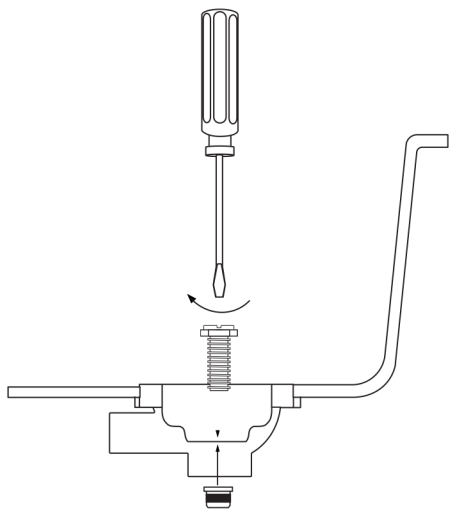


 **CAUTION:** Risk of personal injury. Composite sinks are heavy. Get help when lifting or moving. Be sure to use proper tools and always wear personal safety devices for your protection.

1) Fit the strainer into the hole from the top, and then place the drain under the hole.



2) Fasten the strainer to the drain using the provided screw. Do not overtighten.



Drain parts:

- 1- Basket
- 2- Screw
- 3- Strainer
- 4- Seal
- 5- Drain

**Before starting the installation, check that the sink is not damaged.
Read carefully these special instructions which will provide all the information.**

Farmhouse sinks require a customized or personalized cabinet. We recommend that only professional and expert installers carry out the installation. As a bespoke artisan installation is required, no cut-out pattern is provided. We strongly recommend that you provide your installer with the actual sink before the manufacture or modification of a cabinet. To modify a standard cabinet so that it can accommodate and support the weight of the farmhouse sink, a reinforcement must be built inside it, by inserting a reinforced support surface. When the sink is positioned on the support structure, make sure that the top of the sink reaches the bottom of the worktop.

ATTENTION: check that the support structure is suitable for this type of sink as its weight, including that of the water it could contain, could exceed 70 kg. Reinforce the support structure if needed.

The recommended installation mode is UNDERMOUNT



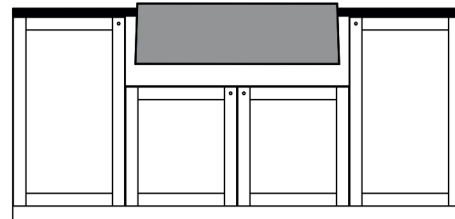
**UNDERMOUNT
INSTALLATION**



**FLUSH-MOUNT
INSTALLATION**



**DROP-IN
INSTALLATION**

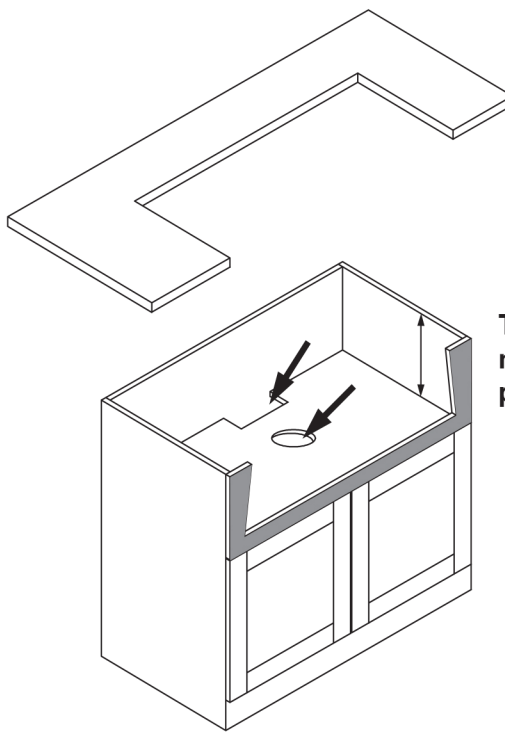


1 - PREPARE THE SINK'S CABINET.

To support the weight of the sink, prepare an internal support shelf or a support structure.

ATTENTION: check that the support structure is suitable for this type of sink as its weight, including that of the water it could contain, could exceed 150 lb (70 Kg). Reinforce the support structure if necessary.

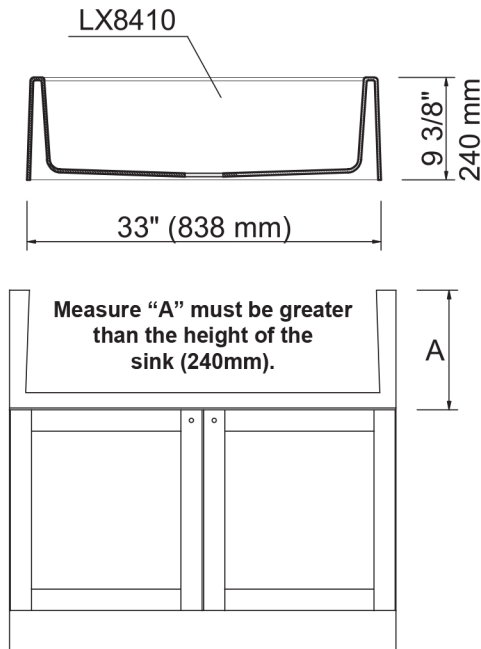
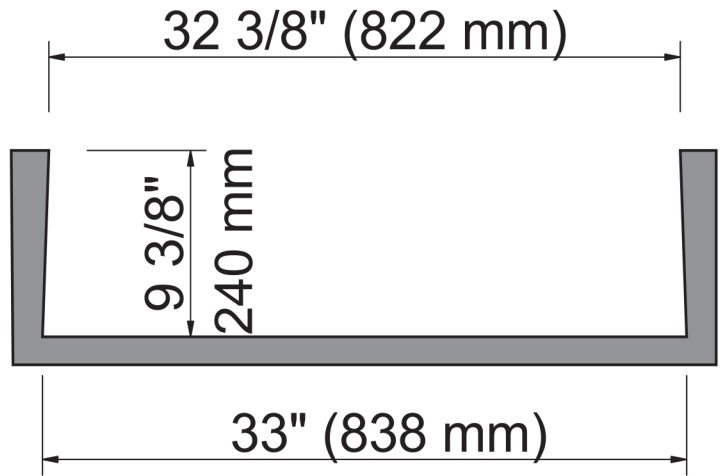
Drill the drain hole on the support shelf, taking into account the presence of the waste disposer. Prepare a hole in the rear area for the water supply pipes.



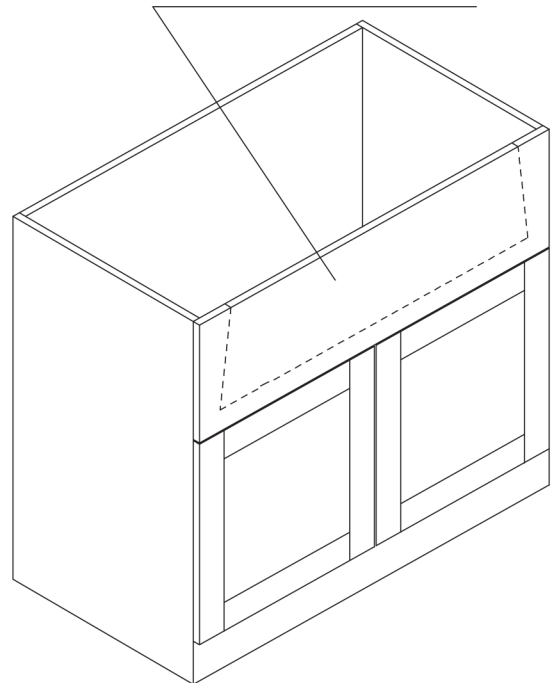
The internal support shelf must be installed at the preset height (see step 4).

2 - CUT THE CABINET FRONT

Cut the front of the cabinet, respecting the dimensions shown in figure



Cut the front of the cabinet, respecting the dimensions shown in the picture above.



3 - LEVEL AND INSTALL THE FARMHOUSE SINK

REVERSIBLE FRONTS WITH DIFFERENT SPOKES: ROUNDED OR SHARP.

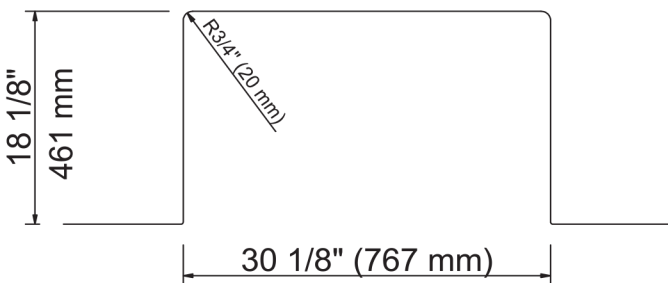
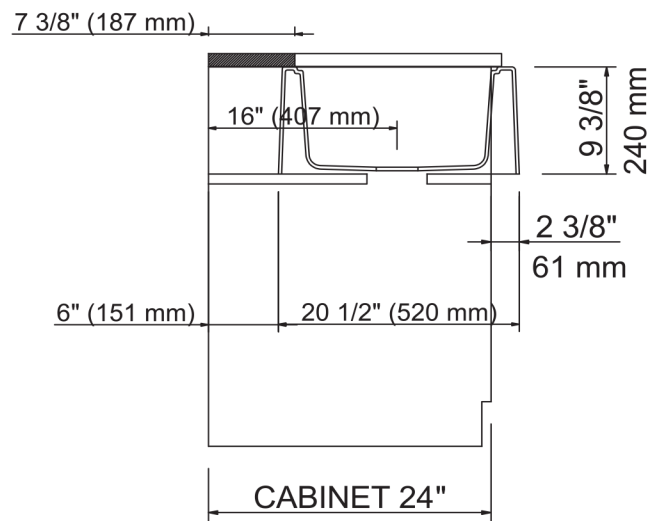
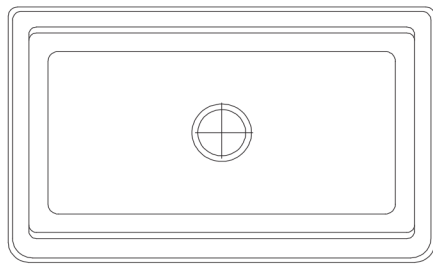
Before cutting the countertop hole, choose the direction of the sink. The two fronts have different edge width and apron radius, in order to match the kitchen style (country or modern). The following page shows the measures to cut the countertop hole, according to the direction chosen.

Model AB33FARM has the peculiarity of having two different fronts: one front has "sharp" corners, with a radius of 18 mm and a 35 mm edge to adapt to the most linear and rigorous kitchens, in modern and contemporary environments. The opposite front has rounded corners with a 40 mm radius, and a wider edge, equal to 60 mm. These softer lines are the ideal combination for country kitchens, for those with a more classic or retro design.

4 - CUT AND INSTALL THE WORKTOP



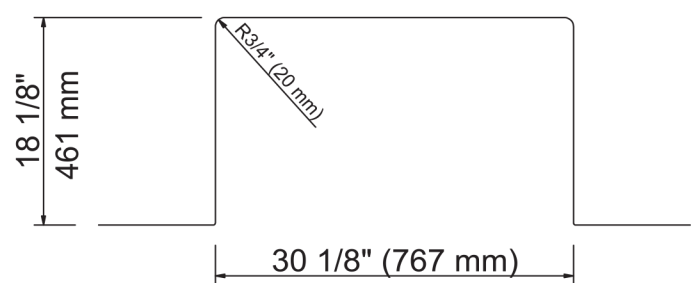
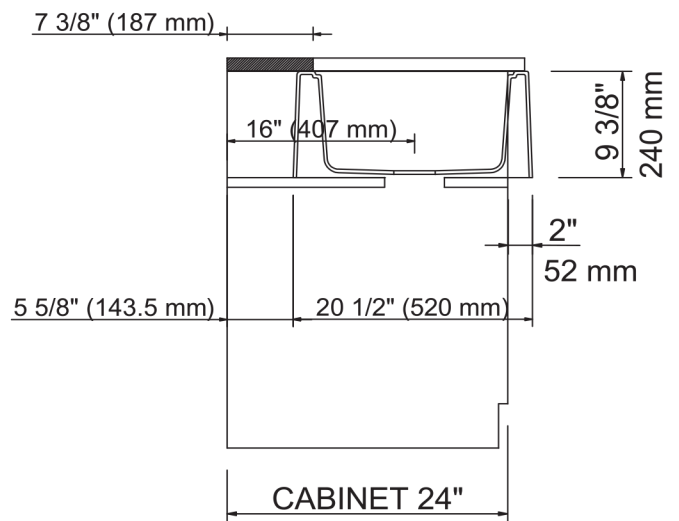
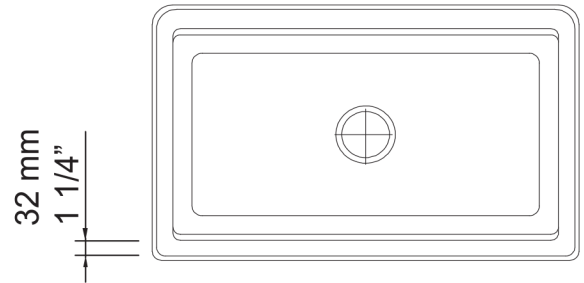
INSTALLATION WITH 40 mm FRONT EDGE (ROUND)



CUT DIMENSION ARE INTENDED FOR STANDARD DEPTH COUNTERTOPS: 64.8 cm (25 1/2")



INSTALLATION WITH 32 mm FRONT EDGE (SHARP)



CUT DIMENSION ARE INTENDED FOR STANDARD DEPTH COUNTERTOPS: 64.8 cm (25 1/2")

5 - SEAL THE SINK WITH THE COUNTERTOP

Apply a thin bead of silicone sealant where the sink meets the countertop and cabinet. Immediately wipe away any excess sealant.

HOW TO CLEAN THE SINK

- Clean the sink regularly using a soft cloth with warm water and the liquid detergent proposed by our company, or similar products. Clean the sink after each use.
- Normal stains should be removed immediately.
- Cleaning powders and creams which are even slightly abrasive should not be used, nor chemically aggressive detergents.
- Abrasive cleaning products can be used only under exceptional circumstances, e.g. when a cigarette burn must be removed; however, these products should be used with extreme care.
- Marks caused by foods or liquid which stain easily (tea, coffee, fruit juice, etc.), must be removed immediately with very hot water and a cleaning product.
- Special stains, such as those caused by Indian ink, ink, oil-based stains or paints, etc., must be removed immediately. If these stains are difficult to remove, use a cloth dampened with denatured alcohol.
- For organic stains which are especially difficult to remove, it is recommended that you fill the sink with a highly diluted organic cleaner such as bleach and let stand overnight. The next morning, rinse with warm water and a soft cloth.
- Lines caused by contact between a pot or fork and the surface of the sink should be removed with a cloth or sponge and liquid detergent.
- Daily use will result in lime buildup, especially on the bottom of the sink, which will progressively increase in thickness. This layer of lime buildup is very porous and easily stained. The presence of stains on the bottom of the sink basin is attributable to this buildup. The formation of lime buildup must be prevented by removing any buildup at least twice a week.
- To remove lime buildup (which is very visible on sinks which are dark in colour), we recommend the following procedure:
 - Cover the bottom of the sink with a solution of vinegar and water (or a product specifically designed to fight lime buildup) and let stand for a few hours.
 - Then, rub the bottom of the sink vigorously with the stiff side of a sponge until the lime, dirt and stains have been removed.
 - Rinse thoroughly with water.



ALFI brand
Distributed by Alfi Trade Inc.
Los Angeles, CA 90016
www.alfitrade.com
323-732-4045
info@alfitrade.com

