

**IMPORTANT**  
Read Before Using

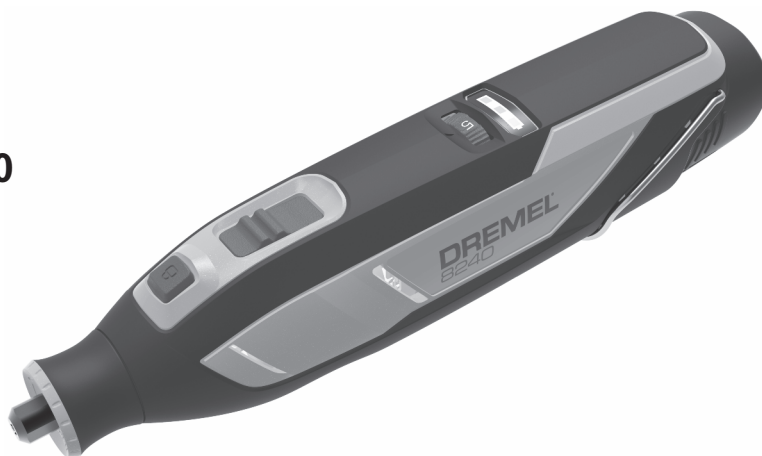
**IMPORTANT**  
Lire avant usage

**IMPORTANTE**  
Leer antes de usar



**Operating / Safety Instructions**  
**Consignes d'utilisation/de sécurité**  
**Instrucciones de funcionamiento y seguridad**

**8240**



**DREMEL®**

**Call Toll Free for Consumer Information and Service Locations**

**Pour obtenir des informations et les adresses de nos centres de service après-vente, appelez ce numéro gratuit**

**Llame gratis para obtener información para el consumidor y ubicaciones de servicio**

**1-800-4-DREMEL (1-800-437-3635) [www.dremel.com](http://www.dremel.com)**





**For English Version**  
See page 2

**Version française**  
Voir page 27


**Versión en español**  
Ver la página 54

## Safety Symbols

The definitions below describe the level of severity for each signal word. Please read the manual and pay attention to these symbols.

	This is the safety alert symbol. It is used to alert you to potential personal injury hazards. Obey all safety messages that follow this symbol to avoid possible injury or death.
	DANGER indicates a hazardous situation which, if not avoided, will result in death or serious injury.
	WARNING indicates a hazardous situation which, if not avoided, could result in death or serious injury.
	CAUTION indicates a hazardous situation which, if not avoided, could result in minor or moderate injury.

## General Power Tool Safety Warnings

 **WARNING** Read all safety warnings and all instructions. Failure to follow the warnings and instructions may result in electric shock, fire and/or serious injury.

### SAVE ALL WARNINGS AND INSTRUCTIONS FOR FUTURE REFERENCE

The term “power tool” in the warnings refers to your mains-operated (corded) power tool or battery-operated (cordless) power tool.

### 1. Work area safety

- a. **Keep work area clean and well lit.** Cluttered or dark areas invite accidents.
- b. **Do not operate power tools in explosive atmospheres, such as in the presence of flammable liquids, gases or dust.** Power tools create sparks which may ignite the dust or fumes.
- c. **Keep children and bystanders away while operating a power tool.** Distractions can cause you to lose control.

### 2. Electrical safety

- a. **Power tool plugs must match the outlet. Never modify the plug in any way. Do not use any adapter plugs with earthed (grounded) power tools.** Unmodified plugs and matching outlets will reduce risk of electric shock.
- b. **Avoid body contact with earthed or grounded surfaces such as pipes, radiators, ranges and refrigerators.** There is an increased risk of electric shock if your body is earthed or grounded.
- c. **Do not expose power tools to rain or wet conditions.** Water entering a power

tool will increase the risk of electric shock.

- d. **Do not abuse the cord. Never use the cord for carrying, pulling or unplugging the power tool. Keep cord away from heat, oil, sharp edges or moving parts.** Damaged or entangled cords increase the risk of electric shock.
- e. **When operating a power tool outdoors, use an extension cord suitable for outdoor use.** Use of a cord suitable for outdoor use reduces the risk of electric shock.
- f. **If operating the power tool in damp locations is unavoidable, use a Ground Fault Circuit Interrupter (GFCI) protected supply.** Use of an GFCI reduces the risk of electric shock.

### 3. Personal safety

- a. **Stay alert, watch what you are doing and use common sense when operating a power tool. Do not use a power tool while you are tired or under the influence of drugs, alcohol or medication.** A moment of inattention while operating power tools may result in serious personal injury.
- b. **Use personal protective equipment.**

## General Power Tool Safety Warnings

**Always wear eye protection.** Protective equipment such as dust mask, non-skid safety shoes, hard hat, or hearing protection used for appropriate conditions will reduce personal injuries.

- c. **Prevent unintentional starting. Ensure the switch is in the off-position before connecting to power source and / or battery pack, picking up or carrying the tool.** Carrying power tools with your finger on the switch or energizing power tools that have the switch on invites accidents.
- d. **Remove any adjusting key or wrench before turning the power tool on.** A wrench or a key left attached to a rotating part of the power tool may result in personal injury.
- e. **Do not overreach. Keep proper footing and balance at all times.** This enables better control of the power tool in unexpected situations.
- f. **Dress properly. Do not wear loose clothing or jewelry. Keep your hair, clothing and gloves away from moving parts.** Loose clothes, jewelry or long hair can be caught in moving parts.
- g. **If devices are provided for the connection of dust extraction and collection facilities, ensure these are connected and properly used.** Use of dust collection can reduce dust-related hazards.

### 4. Power tool use and care

- a. **Do not force the power tool. Use the correct power tool for your application.** The correct power tool will do the job better and safer at the rate for which it was designed.
- b. **Do not use the power tool if the switch does not turn it on and off.** Any power tool that cannot be controlled with the switch is dangerous and must be repaired.
- c. **Disconnect the plug from the power source and/or the battery pack from the power tool before making any adjustments, changing accessories, or storing power tools.** Such preventive safety measures reduce the risk of starting the power tool accidentally.
- d. **Store idle power tools out of the reach of children and do not allow persons unfamiliar with the power tool or these**

**instructions to operate the power tool.** Power tools are dangerous in the hands of untrained users.

- e. **Maintain power tools. Check for misalignment or binding of moving parts, breakage of parts and any other condition that may affect the power tool's operation. If damaged, have the power tool repaired before use.** Many accidents are caused by poorly maintained power tools.
- f. **Keep cutting tools sharp and clean.** Properly maintained cutting tools with sharp cutting edges are less likely to bind and are easier to control.
- g. **Use the power tool, accessories and tool bits etc. in accordance with these instructions, taking into account the working conditions and the work to be performed.** Use of the power tool for operations different from those intended could result in a hazardous situation.

### 5. Battery tool use and care

- a. **Recharge only with the charger specified by the manufacturer.** A charger that is suitable for one type of battery pack may create a risk of fire when used with another battery pack.
- b. **Use power tools only with specifically designated battery packs.** Use of any other battery packs may create a risk of injury and fire.
- c. **When battery pack is not in use, keep it away from other metal objects like paper clips, coins, keys, nails, screws, or other small metal objects that can make a connection from one terminal to another.** Shorting the battery terminals together may cause burns or a fire.
- d. **Under abusive conditions, liquid may be ejected from the battery, avoid contact. If contact accidentally occurs, flush with water. If liquid contacts eyes, additionally seek medical help.** Liquid ejected from the battery may cause irritation or burns.

### 6. Service

- a. **Have your power tool serviced by a qualified repair person using only identical replacement parts.** This will ensure that the safety of the power tool is maintained.

## Safety Rules for Rotary Tools

### Safety warnings common for grinding, sanding, wire brushing, polishing, carving or abrasive cutting-off operations:

- a. **This power tool is intended to function as a grinder, sander, wire brush, polisher, carving or cut-off tool. Read all safety warnings, instructions, illustrations and specifications provided with this power tool.** Failure to follow all instructions listed below may result in electric shock, fire and/or serious injury.
- b. **Do not use accessories which are not specifically designed and recommended by the tool manufacturer.** Just because the accessory can be attached to your power tool, it does not assure safe operation.
- c. **The rated speed of the accessories must be at least equal to the operating speed setting marked on the power tool.** Accessories running faster than their rated speed can break and fly apart.
- d. **The outside diameter and the thickness of your accessory must be within the capacity rating of your power tool.** Incorrectly sized accessories cannot be adequately controlled.
- e. **The arbor size of wheels, sanding drums or any other accessory must properly fit the spindle or collet of the power tool.** Accessories that do not match the mounting hardware of the power tool will run out of balance, vibrate excessively and may cause loss of control.
- f. **Mandrel mounted wheels, sanding drums, cutters or other accessories must be fully inserted into the collet or chuck.** If the mandrel is insufficiently held and/or the overhang of the wheel is too long, the mounted wheel may become loose and be ejected at high velocity.
- g. **Do not use a damaged accessory. Before each use inspect the accessory such as abrasive wheels for chips and cracks, sanding drum for cracks, tear or excess wear, wire brush for loose or cracked wires. If power tool or accessory is dropped, inspect for damage or install an undamaged accessory. After inspecting and installing an accessory, position yourself and bystanders away from the plane of the rotating accessory and run the power tool at maximum no-load speed for one minute.** Damaged accessories will normally break apart during this test time.
- h. **Wear personal protective equipment. Depending on application, use face shield, safety goggles or safety glasses. As appropriate, wear dust mask, hearing protectors, gloves and workshop apron capable of stopping small abrasive or workpiece fragments. The eye protection must be capable of stopping flying debris generated by various operations.** The dust mask or respirator must be capable of filtering particles generated by your operation. Prolonged exposure to high intensity noise may cause hearing loss.
- i. **Keep bystanders a safe distance away from work area. Anyone entering the work area must wear personal protective equipment.** Fragments of workpiece or of a broken accessory may fly away and cause injury beyond immediate area of operation.
- j. **Hold power tool by insulated gripping surfaces only, when performing an operation where the cutting accessory may contact hidden wiring.** Cutting accessory contacting a “live” wire may make exposed metal parts of the power tool “live” and could give the operator an electric shock.
- k. **Always hold the tool firmly in your hand(s) during the start-up.** The reaction torque of the motor, as it accelerates to full speed, can cause the tool to twist.
- l. **Use clamps to support workpiece whenever practical. Never hold a small workpiece in one hand and the tool in the other hand while in use.** Clamping a small workpiece allows you to use your hand(s) to control the tool. Round material such as dowel rods, pipes or tubing have a tendency to roll while being cut, and may cause the bit to bind or jump toward you.
- m. **Position the cord clear of the spinning accessory.** If you lose control, the cord may be cut or snagged and your hand or arm may be pulled into the spinning accessory.
- n. **Never lay the power tool down until the accessory has come to a complete stop.** The spinning accessory may grab the surface and pull the power tool out of your control.
- o. **After changing the bits or making any adjustments, make sure the collet nut,**

## Safety Rules for Rotary Tools

- chuck or any other adjustment devices are securely tightened.** Loose adjustment devices can unexpectedly shift, causing loss of control, loose rotating components will be violently thrown.
- p. Do not run the power tool while carrying it at your side.** Accidental contact with the spinning accessory could snag your clothing, pulling the accessory into your body.
  - q. Regularly clean the power tool's air vents.** The motor's fan will draw the dust inside the housing and excessive accumulation of powdered metal may cause electrical hazards.
  - r. Do not operate the power tool near flammable materials.** Sparks could ignite these materials.
  - s. Do not use accessories that require liquid coolants.** Using water or other liquid coolants may result in electrocution or shock.
  - t. Use only in well-ventilated area.** Working in a safe environment reduces risk of injury.
  - u. Allow for sufficient space, at least 6", between your hand and the spinning bit. Do not reach in the area of the spinning bit.** The proximity of the spinning bit to your hand may not always be obvious.
  - v. Do not touch the bit or collet after use.** After use the bit and collet are too hot to be touched by bare hands.
  - w. Do not alter or misuse tool.** Any alteration or modification is a misuse and may result in serious personal injury.
  - x. This product is not intended for use as a dental drill, in human or veterinary medical applications.** Serious injury may result.
- material causing the wheel to climb out or kickout. The wheel may either jump toward or away from the operator, depending on direction of the wheel's movement at the point of pinching. Abrasive wheels may also break under these conditions.
- Kickback is the result of power tool misuse and/or incorrect operating procedures or conditions and can be avoided by taking proper precautions as given below.
- a. Maintain a firm grip on the power tool and position your body and arm to allow you to resist kickback forces.** The operator can control kickback forces, if proper precautions are taken.
  - b. Use special care when working corners, sharp edges etc. Avoid bouncing and snagging the accessory.** Corners, sharp edges or bouncing have a tendency to snag the rotating accessory and cause loss of control or kickback.
  - c. Do not attach a toothed saw blade.** Such blades create frequent kickback and loss of control.
  - d. Always feed the bit into the material in the same direction as the cutting edge is exiting from the material (which is the same direction as the chips are thrown).** Feeding the tool in the wrong direction causes the cutting edge of the bit to climb out of the work and pull the tool in the direction of this feed.
  - e. When using rotary files, cut-off wheels, high-speed cutters or tungsten carbide cutters, always have the work securely clamped.** These wheels will grab if they become slightly canted in the groove, and can kickback. When a cut-off wheel grabs, the wheel itself usually breaks. When a rotary file, high-speed cutter or tungsten carbide cutter grabs, it may jump from the groove and you could lose control of the tool.

### Kickback and Related Warnings

Kickback is a sudden reaction to a pinched or snagged rotating wheel, backing pad, brush or any other accessory. Pinching or snagging causes rapid stalling of the rotating accessory which in turn causes the uncontrolled power tool to be forced in the direction opposite of the accessory's rotation.

For example, if an abrasive wheel is snagged or pinched by the workpiece, the edge of the wheel that is entering into the pinch point can dig into the surface of the

### Safety warnings specific for grinding and abrasive cutting-off operations:

- a. Use only wheel types that are recommended for your power tool and only for recommended applications. For example: do not grind with the side of a cut-off wheel.** Abrasive cut-off wheels are intended for peripheral grinding, side forces applied to these wheels may cause them to shatter.

## Safety Rules for Rotary Tools

- b. **For threaded abrasive cones and plugs use only undamaged wheel mandrels with an unrelieved shoulder flange that are of correct size and length.** Proper mandrels will reduce the possibility of breakage.
- c. **Do not “jam” a cut-off wheel or apply excessive pressure. Do not attempt to make an excessive depth of cut.** Overstressing the wheel increases the loading and susceptibility to twisting or snagging of the wheel in the cut and the possibility of kickback or wheel breakage.
- d. **Do not position your hand in line with and behind the rotating wheel.** When the wheel, at the point of operation, is moving away from your hand, the possible kickback may propel the spinning wheel and the power tool directly at you.
- e. **When wheel is pinched, snagged or when interrupting a cut for any reason, switch off the power tool and hold the power tool motionless until the wheel comes to a complete stop. Never attempt to remove the cut-off wheel from the cut while the wheel is in motion otherwise kickback may occur.** Investigate and take corrective action to eliminate the cause of wheel pinching or snagging.
- f. **Do not restart the cutting operation in the workpiece. Let the wheel reach full speed and carefully re-enter the cut.** The wheel may bind, walk up or kickback if the power tool is restarted in the workpiece.
- g. **Support panels or any oversized workpiece to minimize the risk of wheel pinching and kickback.** Large workpieces tend to sag under their own weight. Supports must be placed under the workpiece near the line of cut and near the edge of the workpiece on both sides of the wheel.
- h. **Use extra caution when making a “pocket cut” into existing walls or other blind areas.** The protruding wheel may cut gas or water pipes, electrical wiring or objects that can cause kickback.

### Safety warnings specific for wire brushing operations:

- a. **Be aware that wire bristles are thrown by the brush even during ordinary operation. Do not overstress the wires by applying excessive load to the brush.** The wire bristles can easily penetrate light clothing and/or skin.
- b. **Allow brushes to run at operating speed for at least one minute before using them. During this time no one is to stand in front or in line with the brush.** Loose bristles or wires will be discharged during the run-in time.
- c. **Direct the discharge of the spinning wire brush away from you.** Small particles and tiny wire fragments may be discharged at high velocity during the use of these brushes and may become imbedded in your skin.

## Additional Safety Warnings

- a. GFCI and personal protection devices like electrician’s rubber gloves and footwear will further enhance your personal safety.
- b. **Keep handles dry, clean and free from oil and grease.** Slippery hands cannot safely control the power tool.
- c. **Develop a periodic maintenance schedule for your tool. When cleaning a tool be careful not to disassemble any portion of the tool since internal wires may be misplaced or pinched or safety guard return springs may be improperly mounted.** Certain cleaning agents such as gasoline, carbon tetrachloride, ammonia, etc. may damage plastic parts.
- d. **Ensure the switch is in the off position before inserting battery pack.** Inserting the battery pack into power tools that have the switch on invites accidents.

## Additional Safety Warnings

**⚠ WARNING** Some dust created by power sanding, sawing, grinding, drilling, and other construction activities contains chemicals known to cause cancer, birth defects or other reproductive harm. Some examples of these chemicals are:

- Lead from lead-based paints,
- Crystalline silica from bricks and cement and other masonry products, and
- Arsenic and chromium from chemically-treated lumber.

Your risk from these exposures varies, depending on how often you do this type of work. To reduce your exposure to these chemicals: work in a well ventilated area, and work with approved safety equipment, such as those dust masks that are specially designed to filter out microscopic particles.

**⚠ WARNING** Read and understand all instructions. Failure to follow all instructions listed below, may result in electric shock, fire and/or serious personal injury.

### IMPORTANT SAFETY AND OPERATING INSTRUCTIONS SAVE THESE INSTRUCTIONS

## Charger Safety Rules

- This manual contains instructions for battery charger model GAL12V-20.** Do not substitute any other charger.
- Before using battery charger, read all instructions and cautionary markings on (1) battery charger, (2) battery pack, and (3) product using battery.**
- Charge only Dremel rechargeable batteries listed on page 12.** Other types of batteries may burst causing personal injury and damage.
- Charge battery pack in temperatures above +32 degrees F (0 degrees C) and below +113 degrees F (45 degrees C). Store tool and battery pack in locations where temperatures will not exceed 120 degrees F (49 degrees C).** This is important to prevent serious damage to the battery cells.
- Do not recharge battery in damp or wet environment. Do not expose charger to rain or snow.** Water entering battery charger may result in electric shock or fire.
- Battery leakage may occur under extreme usage or temperature conditions. Avoid contact with skin and eyes.** The battery liquid is caustic and could cause chemical burns to tissues. If liquid comes in contact with skin, wash quickly with soap and water. If the liquid contacts your eyes, flush them with water for a minimum of 10 minutes and seek medical attention.
- Place charger on flat nonflammable surfaces and away from flammable materials when recharging battery pack.** Carpeting and other heat insulating surfaces block proper air circulation which may cause overheating of the charger and battery pack. If smoke or melting of the charger or battery pack is observed, unplug the charger immediately and do not use the battery pack or charger. Contact customer service immediately.
- Make sure cord is located so that it will not be stepped on, tripped over, or otherwise subjected to damage or stress.** Damaged plug and cord may result in electric shock or fire.
- Disconnect the charger by pulling the plug rather than the cord. Do not operate charger with damaged cord or plug; have them replaced immediately.** Damaged plug or cord may result in electric shock or fire.
- Do not insert battery pack in charger if battery pack case is cracked.** Using damaged battery pack may result in electric shock or fire.

## Charger Safety Rules

- k. **Do not disassemble charger or operate the charger if it has received a sharp blow, been dropped or otherwise damaged in anyway.** Incorrect reassembly or damage may result in electric shock or fire.
- l. **Before each use, check the battery charger, cable and plug. If damage is detected, do not use the battery charger. Never open the battery charger yourself, take it to a Dremel Factory Service Center, or qualified serviceman only using original spare parts.** Incorrect reassembly may result in electric shock or fire.
- m. **Do not use attachments not recommended or sold by Dremel.** Using attachments not recommended may result in electric shock or fire.
- n. **Do not store battery pack in charger.** Battery pack stored in charger over a long period of time could lead to battery pack damage and fire.
- o. **Unplug charger from outlet before storage, attempting any maintenance or cleaning.** Such preventive safety measures reduce the risk of electric shock or fire.
- p. **Keep the battery charger clean by blowing compressed air on charger vents and wiping the charger housing with a damp cloth.** Contamination may result in electric shock or fire.
- q. **Replace battery pack if a substantial drop in operating time per charge is observed.** Battery pack may be nearing the end of its life.

## Battery Care

**⚠ WARNING** When batteries are not in tool or charger, keep them away from metal objects. For example, to protect terminals from shorting, **DO NOT** place batteries in a tool box or

pocket with nails, screws, keys, etc. Fire or injury may result.

**DO NOT PUT BATTERIES INTO FIRE OR EXPOSE TO HIGH HEAT.** They may explode.

## Battery Disposal

**⚠ WARNING** Do not attempt to disassemble the battery or remove any component projecting from the battery terminals. Fire or injury may result. Prior to disposal, protect exposed terminals with heavy insulating tape to prevent shorting.

participating in an industry program to collect and recycle these batteries at the end of their useful life, when taken out of service in the United States or Canada. The RBRC program provides a convenient alternative to placing used Li-ion batteries into the trash or the municipal waste stream, which may be illegal in your area.

Please call 1-800-8-BATTERY for information on Li-ion battery recycling and disposal bans/restrictions in your area, or return your batteries to a Bosch/Dremel Service Center for recycling. Robert Bosch Tool Corporation's involvement in this program is part of our commitment to preserving our environment and conserving our natural resources."

### Lithium-ion Batteries

If equipped with a lithium-ion battery, the battery must be collected, recycled or disposed of in an environmentally sound manner.



"The EPA certified RBRC Battery Recycling Seal on the lithium-ion (Li-ion) battery indicates Robert Bosch Tool Corporation is voluntarily



## Licenses

© 2016-2018 STMicroelectronics

Redistribution and use in source and binary forms, with or without modification, are permitted provided that the following conditions are met:

1. Redistributions of source code must retain the above copyright notice, this list of conditions and the following disclaimer.
2. Redistributions in binary form must reproduce the above copyright notice, this list of conditions and the following disclaimer in the documentation and/or other materials provided with the distribution.
3. Neither the name of STMicroelectronics nor the names of its contributors may be used to endorse or promote products derived from this software without specific prior written permission.

THIS SOFTWARE IS PROVIDED BY THE COPYRIGHT HOLDERS AND CONTRIBUTORS "AS IS" AND ANY EXPRESS OR IMPLIED WARRANTIES, INCLUDING, BUT NOT LIMITED TO, THE IMPLIED WARRANTIES OF MERCHANTABILITY AND FITNESS FOR A PARTICULAR PURPOSE ARE DISCLAIMED. IN NO EVENT SHALL THE COPYRIGHT HOLDER OR CONTRIBUTORS BE LIABLE FOR ANY DIRECT, INDIRECT, INCIDENTAL, SPECIAL, EXEMPLARY, OR CONSEQUENTIAL DAMAGES (INCLUDING, BUT NOT LIMITED TO, PROCUREMENT OF SUBSTITUTE GOODS OR SERVICES; LOSS OF USE, DATA, OR PROFITS; OR BUSINESS INTERRUPTION) HOWEVER CAUSED AND ON ANY THEORY OF LIABILITY, WHETHER IN CONTRACT, STRICT LIABILITY, OR TORT (INCLUDING NEGLIGENCE OR OTHERWISE) ARISING IN ANY WAY OUT OF THE USE OF THIS SOFTWARE, EVEN IF ADVISED OF THE POSSIBILITY OF SUCH DAMAGE.

© 2009 - 2015 ARM LIMITED

All rights reserved.








Redistribution and use in source and binary forms, with or without modification, are permitted provided that the following conditions are met:

- Redistributions of source code must retain the above copyright notice, this list of conditions and the following disclaimer.
- Redistributions in binary form must reproduce the above copyright notice, this list of conditions and the following disclaimer in the documentation and/or other materials provided with the distribution.
- Neither the name of ARM nor the names of its contributors may be used to endorse or promote products derived from this software without specific prior written permission.

THIS SOFTWARE IS PROVIDED BY THE COPYRIGHT HOLDERS AND CONTRIBUTORS "AS IS" AND ANY EXPRESS OR IMPLIED WARRANTIES, INCLUDING, BUT NOT LIMITED TO, THE IMPLIED WARRANTIES OF MERCHANTABILITY AND FITNESS FOR A PARTICULAR PURPOSE ARE DISCLAIMED. IN NO EVENT SHALL COPYRIGHT HOLDERS AND CONTRIBUTORS BE LIABLE FOR ANY DIRECT, INDIRECT, INCIDENTAL, SPECIAL, EXEMPLARY, OR CONSEQUENTIAL DAMAGES (INCLUDING, BUT NOT LIMITED TO, PROCUREMENT OF SUBSTITUTE GOODS OR SERVICES; LOSS OF USE, DATA, OR PROFITS; OR BUSINESS INTERRUPTION) HOWEVER CAUSED AND ON ANY THEORY OF LIABILITY, WHETHER IN CONTRACT, STRICT LIABILITY, OR TORT (INCLUDING NEGLIGENCE OR OTHERWISE) ARISING IN ANY WAY OUT OF THE USE OF THIS SOFTWARE, EVEN IF ADVISED OF THE POSSIBILITY OF SUCH DAMAGE.

## Symbols

**Important:** Some of the following symbols may be used on your tool. Please study them and learn their meaning. Proper interpretation of these symbols will allow you to operate the tool better and safer.

Symbol	Designation/Explanation
V	Volts (voltage)
A	Amperes (current)
Hz	Hertz (frequency, cycles per second)
W	Watt (power)
kg	Kilograms (weight)
min	Minutes (time)
s	Seconds (time)
∅	Diameter (size of drill bits, grinding wheels, etc.)
$n_0$	No load speed (rotational speed at no load)
n	Rated speed (maximum attainable speed)
.../min	Revolutions or reciprocation per minute (revolutions, strokes, surface speed, orbits etc. per minute)
0	Off position (zero speed, zero torque...)
1, 2, 3, ... I, II, III,	Selector settings (speed, torque or position settings. Higher number means greater speed)
	Infinitely variable selector with off (speed is increasing from 0 setting)
	Arrow (action in the direction of arrow)
	Alternating current (type or a characteristic of current)
	Direct current (type or a characteristic of current)
	Alternating or direct current (type or a characteristic of current)
	Class II construction (designates double insulated construction tools)
	Earthing terminal (grounding terminal)

## Symbols

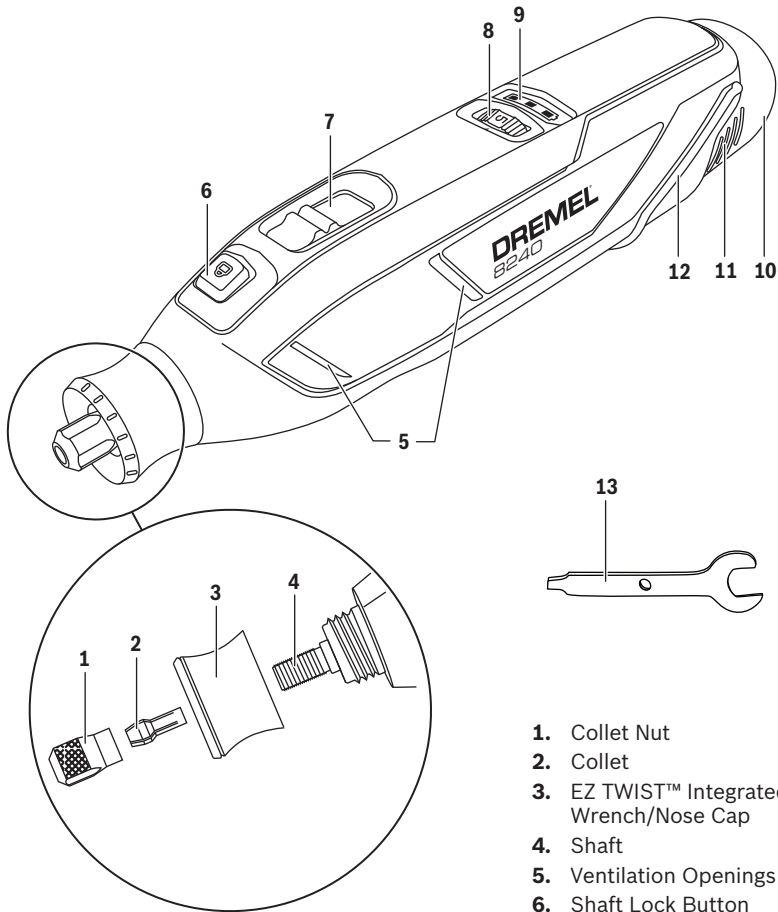
**Important:** Some of the following symbols may be used on your tool. Please study them and learn their meaning. Proper interpretation of these symbols will allow you to operate the tool better and safer.

Symbol	Designation / Explanation
	Alerts user to read manual.
	Alerts user to wear eye protection.
	Alerts user to wear respiratory protection.
	Alerts user to wear hearing protection.
	Alerts user to wear eye, respiratory, and hearing protection.
	This symbol designates that this tool is listed by Underwriters Laboratories, to United States and Canadian Standards.
	This symbol designates that this tool is listed by the Canadian Standards Association.
	This symbol designates that this tool is listed by the Canadian Standards Association, to United States and Canadian Standards.
	This symbol designates that this tool is listed by the Intertek Testing Services, to United States and Canadian Standards.
	Designates Li-ion battery recycling program.

## Functional Description and Specifications

### Model 8240 Cordless Rotary Tool

Fig. 1



1. Collet Nut
2. Collet
3. EZ TWIST™ Integrated Wrench/Nose Cap
4. Shaft
5. Ventilation Openings
6. Shaft Lock Button
7. On/Off Switch
8. Variable Speed Dial
9. Fuel Gauge
10. Battery Pack
11. Battery Release Tabs
12. Hanger
13. Collet Wrench

Model number . . . . .8240  
 Voltage rating . . . . .10.8V/12V  $\overline{\text{---}}$  MAX  
 Rated speed . . . . .n 5,000 - 35,000/min  
 Collet capacities . . .1/32, 1/16", 3/32", 1/8"  
 Charger . . . . .GAL12V-20  
 Voltage rating . . . . .120 V  $\sim$  60 Hz

#### Battery Packs/Chargers

Please refer to the battery/charger list included with your tool.

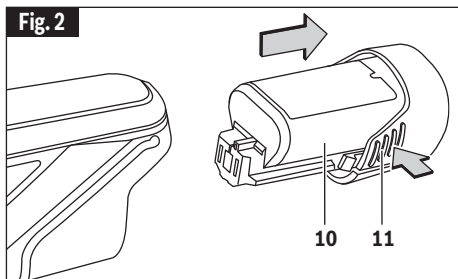
## Assembly

**⚠ WARNING** Disconnect battery pack from tool before making any assembly, adjustments or changing accessories. Such preventive safety measures reduce the risk of starting the tool accidentally.

### Inserting and Releasing Battery Pack

Release battery pack **10** from tool by pressing on both sides of the battery release tabs **11** and pull away from housing (Fig. 2).

To insert battery, align battery and slide battery pack into tool until it locks into position. Do not force.

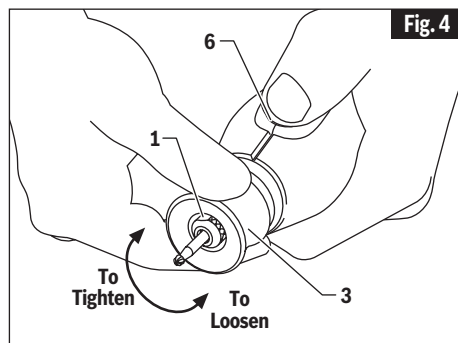
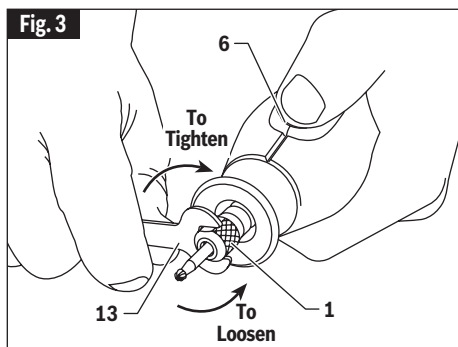


### Collet Nut

To loosen, first press shaft lock button **6** and rotate the shaft by hand until the lock engages the shaft preventing further rotation. Your Dremel 8240 is equipped with a quick collet lock mechanism. This mechanism engages the output shaft in 8 separate locations on the shaft for easier operation.

**⚠ CAUTION** Do not engage lock while the Rotary Tool is running.

With the shaft lock engaged use the collet wrench **13** to loosen the collet nut **1** if necessary. The collet nut must be loosely threaded on when inserting an accessory. Change accessories by inserting the new one into the collet as far as possible to minimize runout and unbalance. With the shaft lock engaged, finger tighten the collet nut until the accessory shank is gripped by the collet (Fig. 3). **Avoid excessive tightening of the collet nut when there is no bit inserted.**



### EZ TWIST™ Integrated Wrench/Nose Cap

The nose cap of your tool has an integrated wrench allowing you to loosen and tighten the collet nut without the use of the standard collet wrench. Unscrew the nose cap **3** from the tool, line-up steel insert on inside of cap with collet nut **1**. With the shaft lock **6** engaged twist nose cap clockwise to tighten, and counter-clockwise to loosen (Fig. 4).

### Collets

Four different size collets (Fig. 5), to accommodate different shank sizes, are available for your Rotary Tool. To install a different collet, remove the collet nut and remove the old collet. Insert the unslotted end of the collet in the hole in the end of the tool shaft. Replace collet nut on the shaft.

## Assembly

**CAUTION** Always use the collet which matches the shank size of the accessory you plan to use. Never force a larger diameter shank into a collet.

### COLLET IDENTIFICATION CHART

Collet sizes can be identified by the rings on the back end of collet.

1/32" Collet has one (1) ring.

1/16" Collet has two (2) rings.

3/32" Collet has three (3) rings.

1/8" Collet has no rings (**Included in most tool kits on the tool**).

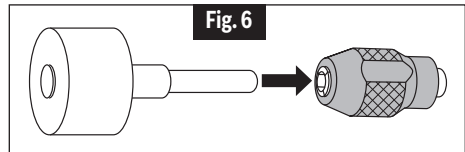
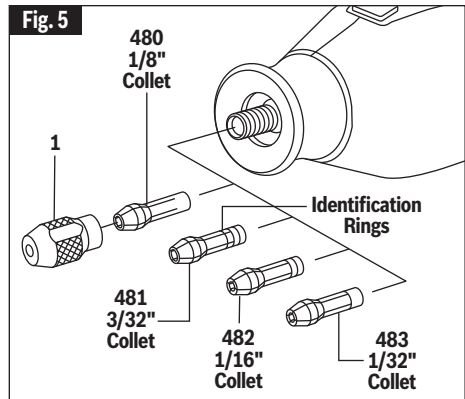
**Note:** Most rotary tool kits do not include all four collets sizes.

### Fixing Stuck Collets

It is possible for a collet to get stuck within the collet nut especially if a collet nut is tightened onto the tool without a bit in place. If this happens, the collet can be removed from the collet nut by pushing the shank of an accessory into the hole in the collet nut (Fig. 6). This should cause the collet to pop out of the collet nut.

### Balancing Accessories

For precision work, it is important that all accessories be in good balance (much the same as the tires on your automobile). To true up or balance an accessory, slightly loosen collet nut and give the accessory or collet a 1/4 turn. Retighten collet nut and run the Rotary



Tool. You should be able to tell by the sound and feel if your accessory is running in balance. Continue adjusting in this fashion until best balance is achieved. To maintain balance on abrasive wheel points, before each use, with the wheel point secured in the collet, turn on the Rotary Tool and run the 415 Dressing Stone lightly against the revolving wheel point. This removes high spots and trues up the wheel point for good balance.

The hanger is provided for the use of hanging your tool while using the flex-shaft or for storage. If you do not use the hanger, snap it back into place so it will be out of the way while the tool is in use.

## Intended Use

This power tool is intended for carving / engraving, routing, grinding / sharpening, cutting, cleaning / polishing, sanding, grout removal and drilling applications in soft wood, hard wood,

laminates / plastics, steel, aluminum / brass / copper, shell / stone, ceramic and glass materials.

## Operating Instructions

**⚠ WARNING** Disconnect battery pack from tool before making any assembly, adjustments or changing accessories. Such preventive safety measures reduce the risk of starting the tool accidentally.

**⚠ CAUTION** Whenever you hold the tool, be careful not to cover the air vents with your hand. This blocks the air flow and causes the motor to overheat.

### Slide "On/Off" Switch

The tool is switched "ON" by the slide switch **7** located on the topside of the motor housing (Fig. 7).

TO TURN THE TOOL "ON", slide the switch button forward.

TO TURN THE TOOL "OFF", slide the switch button backward.

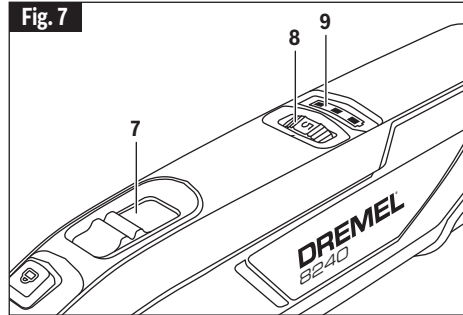
### Variable Speed Dial

Your tool is equipped with a variable speed dial **8** (Fig. 7). The speed may be adjusted during operation by rotating the dial back or forth between any one of the settings.

Switch Setting	Approximate Speed Range, /min (RPM)
5	4,000-6,000
•10	9,000-11,000
15	14,000-17,000
20	17,000-22,000
25	22,000-26,000
30	27,000-31,000
35	31,000-35,000
• Wire Brush Setting.	

You can refer to the charts on pages 22-25 to determine the charts on pages 22-25 to determine the proper speed, based on the material being worked and the type of accessory being used. These charts enable you to select both the correct accessory and the optimum speed at a glance.

Increasing the pressure on the tool is not the answer when it is not performing as you think it should. Perhaps you should be using a different



accessory, and perhaps an adjustment in speed would solve the problem. Leaning on the tool does not help.

#### Let speed do the work!

All Dremel Rotary Tool attachments are compatible with your tool, but you may experience reduced run times on the battery when using certain attachments.

### Fuel Gauge

This tool is equipped with a fuel gauge **9** (Fig. 7) that tells you how much charge your battery has. A fully charged battery is indicated when all three LED lights are illuminated. As the battery discharges, the lights will turn off one by one until only one light is on. When the last light starts "flashing", the battery is almost empty. When the battery is dead, the tool will automatically turn off. This will be a sudden stop as opposed to a gradual winding down of the tool. Simply recharge the battery and reuse.

3 lights – 100% charge remaining

2 lights – 50% charge remaining

1 light – 25% charge remaining

1 "flashing" light - tool is about to shut off

3 "flashing" lights – battery is too hot or too cold for use. Turn tool off and let battery return to normal operating temperature before resuming use.

## Operating Instructions

### Charging Battery Pack

#### IMPORTANT CHARGING NOTES

1. The charger was designed to fast charge the battery only when the battery temperature is between 32°F (0°C) and 113°F (45°C). If the battery pack is too hot or too cold, the charger will not fast charge the battery. (This may happen if the battery pack is hot from heavy use). When the battery temperature returns to between 32°F (0°C) and 113°F (45°C), the charger will automatically begin charging.
2. A substantial drop in operating time per charge may mean that the battery pack is nearing the end of its life and should be replaced.
3. Remember to unplug charger during storage period.
4. If battery does not charge properly:
  - a. Check for voltage at outlet by plugging in some other electrical device.
  - b. Check to see if outlet is connected to a light switch which turns power "off" when lights are turned off.
  - c. Check battery pack terminals for dirt. Clean with cotton swab and alcohol if necessary.
  - d. If you still do not get proper charging, take or send tool, battery pack and charger to your local Dremel Service Center.

**Note:** Use of chargers or battery packs not recommended by Dremel in the battery/charger list will void the warranty.

#### DREMEL CHARGER GAL12V-20

Plug charger cord into your standard power outlet, then insert battery pack **10** into charger (Fig. 8).

If the indicator lights are "OFF", the charger is not receiving power from power supply outlet.

The charger's green indicator light will begin to "BLINK". This indicates that the battery is receiving a fast charge. Fast-charging will automatically stop when the battery pack is fully charged.

When the indicator light stops "BLINKING" (and becomes a steady green light) fast charging is complete.

The battery pack may be used even though the light may still be blinking. The light may require more time to stop blinking depending on temperature.

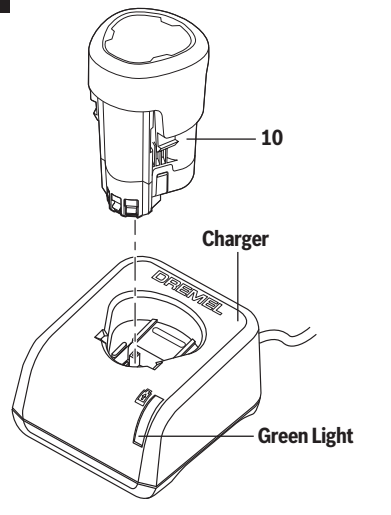
The purpose of the blinking green light is to indicate that the battery pack is fast-charging. It does not indicate the exact point of full charge. The light will stop blinking in less time if the battery pack was not completely discharged.

If the green indicator light is "ON", the charger is plugged in but the battery pack is not inserted, or the battery pack is fully charged, or the battery pack is too hot or cold for fast-charging. The charger will automatically switch to fast-charging once a suitable temperature is reached.

When charging several batteries in sequence, the charge time may slightly increase.

When the battery pack is fully charged, unplug the charger (unless you're charging another battery pack) and slip the battery pack back into the tool.

Fig. 8





## Operating Instructions

### Using the Rotary Tool

**CAUTION** Whenever you hold the tool, be careful not to cover the air vents with your hand. This blocks the air flow and causes the motor to overheat. For best control in close work, grip the Rotary Tool like a pencil between your thumb and forefinger (Figure A).

The “Golf Grip” method of holding the tool can be used for more aggressive operations such as grinding a flat surface or using cutoff wheels (Figure B).

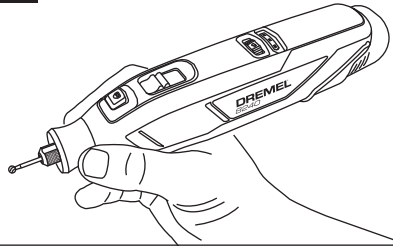
Practice on scrap materials first to see how the Rotary Tool's high speed action performs. Keep in mind that the work is done by the speed of the tool and by the accessory in the collet. You should not lean on or push the tool during use.

Instead, lower the spinning accessory lightly to the work and allow it to touch the point at which you want cutting (or sanding or etching, etc.) to begin. Concentrate on guiding the tool over the work using very little pressure from your hand. Allow the accessory to do the work.

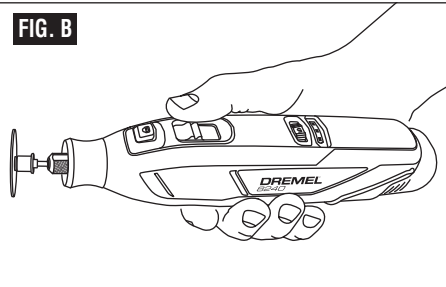
Usually, it is best to make a series of passes with the tool rather than attempt to do all the work in one pass. To make a cut, for example, pass the tool back and forth over the work, much as you would a small paint brush. Cut a little material on each pass until you reach the desired depth. For most work, the gentle touch is best. With it, you have the best control, are less likely to make errors, and will get the most efficient work out of the accessory.

**Questions or Problems?**  
**Call 1-800-437-3635**  
**or check our website at**  
**[www.Dremel.com](http://www.Dremel.com)**

**FIG. A**



**FIG. B**



## Maintenance

**⚠ WARNING** To avoid accidents, always disconnect the tool and/or charger from the power supply before servicing or cleaning.

### Service

**⚠ WARNING** **NO USER SERVICE-ABLE PARTS INSIDE.** Preventive maintenance performed by unauthorized personnel may result in misplacing of internal wires and components which could cause serious hazard. We recommend that all tool service be performed by a Dremel Service Center. **SERVICEMEN:** Disconnect tool and/or charger from power source before servicing.

### Batteries

**Be alert for battery packs that are nearing their end of life.** If you notice decreased tool performance or significantly shorter running time between charges then it is time to replace the battery pack. Failure to do so can cause the tool to operate improperly or damage the charger.

### D.C. Motors

The motor in your tool has been engineered for many hours of dependable service. To maintain peak efficiency of the motor, we recommend it be examined every six months. Only a genuine Dremel replacement motor specially designed for your tool should be used.

### Cleaning

**⚠ CAUTION** **Certain cleaning agents and solvents damage plastic parts.** Some of these are: gasoline, carbon tetrachloride, chlorinated cleaning solvents, ammonia and household detergents that contain ammonia.

Ventilation openings and switch levers must be kept clean and free of foreign matter. Do not attempt to clean by inserting pointed objects through opening

## Dremel Accessories

**⚠ WARNING** **Use only Dremel® branded accessories.** Other accessories are not designed for this tool and may lead to personal injury or property damage.

**Store accessories in a dry and temperate environment to avoid corrosion and deterioration.**

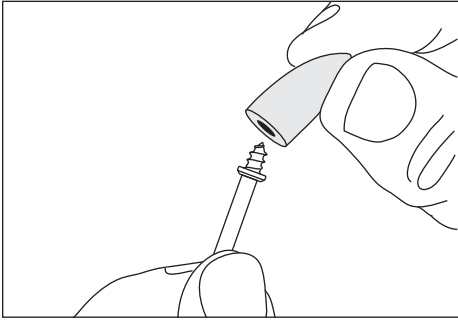
The number and variety of accessories for the Rotary Tool are almost limitless. There is a category suited to almost any job you might have to do and a variety of sizes and shapes within each category which enables you to get the perfect accessory for every need.

The accessory categories are as follows; carving / engraving, routing, grinding / sharpening, cutting, cleaning / polishing, sanding, grout removal, drilling and collets / miscellaneous.

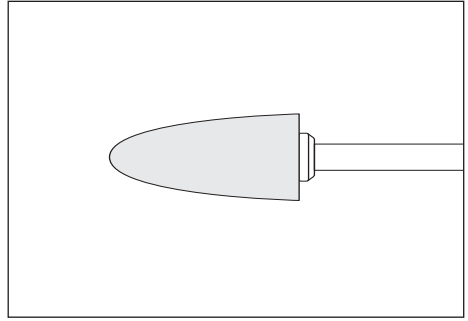
For a complete Dremel rotary accessory guide please visit - [dremel.com/documents/20812/597949/bit-guide-poster.pdf](https://dremel.com/documents/20812/597949/bit-guide-poster.pdf)



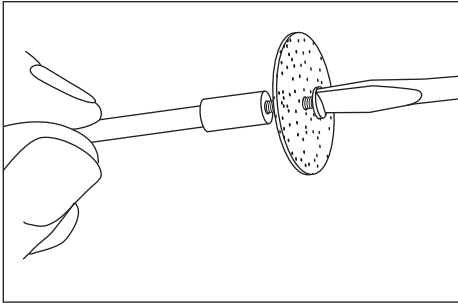
## Replacing Screw Mandrel Accessories



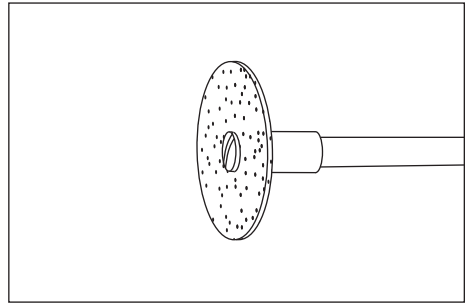
**Mandrel No. 401** is used with the felt polishing tip and wheels. Thread the tip on to the screw carefully. The felt tip must



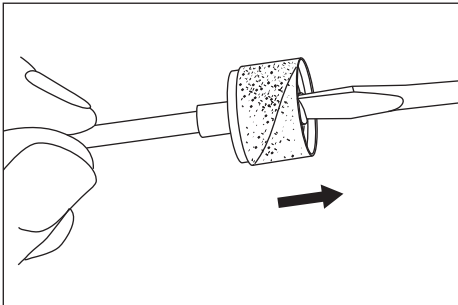
thread down straight on the screw Mandrel, and be turned all the way to the collar.



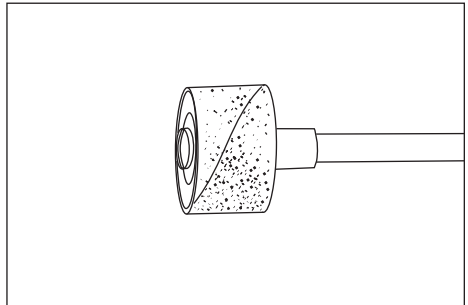
**Mandrel N° 402** has a small screw at its tip, and is used with emery cutting wheels and sanding discs. Higher speeds, usually



maximum, are best for most work, including cutting steel. Which is shown here.



To replace a band on the **Drum Sander**, loosen the screw without removing it to contract the drum then slide the old band off. Slide the new sanding band on and then expand the drum by tightening the screw once again.



**⚠ WARNING** Before each use, check to make certain that all components are assembled to accessory shank and that the drum is sufficiently expanded to secure the band during use. If sanding band is loose on the drum during operation it may “fly” off and strike you or bystanders.

## EZ Lock™ Operating Instructions

**EZ Lock™ Mandrel No. EZ402** has a spring loaded sleeve and is used with cutting wheels, abrasive buffs and polishing cloth.

**⚠ WARNING** Always make sure the rotary tool is “OFF” and disconnect the plug from the power source or the battery pack from the tool before changing accessories. Such preventative safety measures reduce the risk of starting the power tool accidentally.

**Always make sure accessory is properly seated on mandrel before use.** Incorrect seating of accessory on mandrel may lead to personal injury or property damage.

### To load accessory:

1. Place EZ Lock™ mandrel into collet as deep as possible and tighten collet nut.

**Note:** There is a blue spacer that will bottom out on the collet nut, setting the mandrel to the correct depth. When using with Dremel chuck, back the mandrel out slightly before tightening.

2. Pull spring-loaded sleeve DOWN towards tool with one hand and hold. You can brace the tool on the body or work-bench for extra leverage (Fig. 1).
3. With the other hand, align bowtie shape on cut-off wheel with mandrel and make sure metal insert is facing away from the tool (Fig. 2).
4. Place wheel on the mandrel to a point just below the bowtie on the mandrel and twist 90 degrees until the bowtie shape on the wheel aligns with the sleeve. Release sleeve. Wheel should lock in place (Fig. 3).

5. When mounting sanding and polishing accessories, align bowtie with metal insert on bottom of accessory (Fig. 4 & 5).

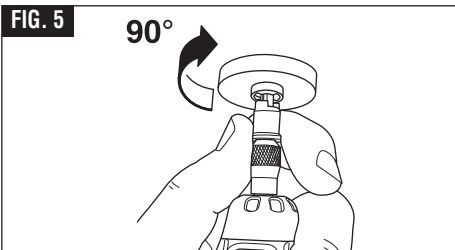
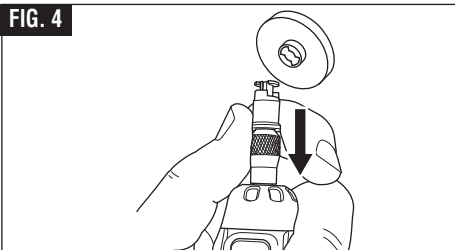
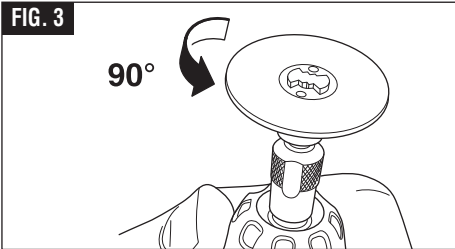
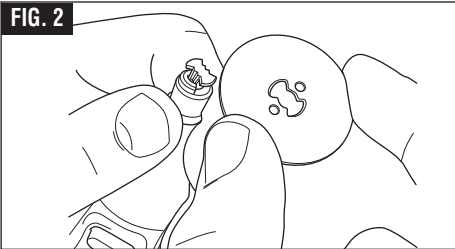
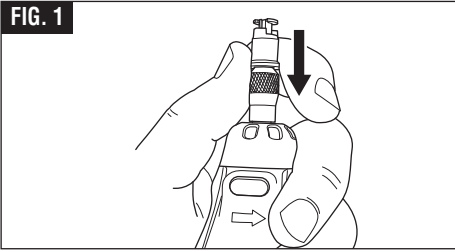
**To check for proper seating, hold shaft lock button and twist accessory. Accessory will not be able to rotate on mandrel.**

### To unload accessory:

1. Pull spring-loaded sleeve DOWN toward tool with one hand (Fig. 1).
2. Hold sleeve down while twisting accessory 90 degrees.
3. Remove accessory.

### During use

Avoid damage to EZ lock™ mandrel by not letting it contact the workpiece.



## EZ Drum™ Operating Instructions

**EZ Drum™ Mandrel No. EZ407SA** has a spring loaded sleeve and is used with sanding bands.

**⚠ WARNING** Always make sure the rotary tool is "OFF" and disconnect the plug from the power source or the battery pack from the tool before changing accessories. Such preventative safety measures reduce the risk of starting the power tool accidentally.

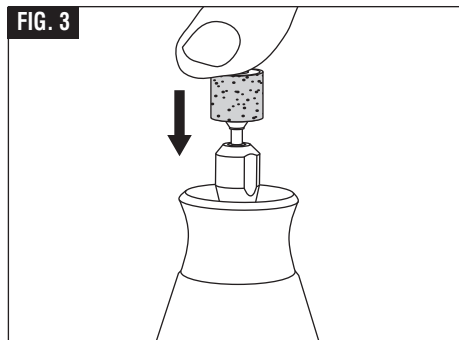
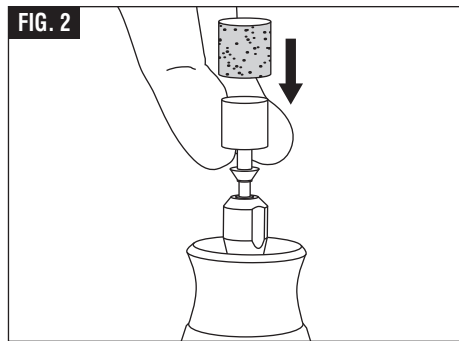
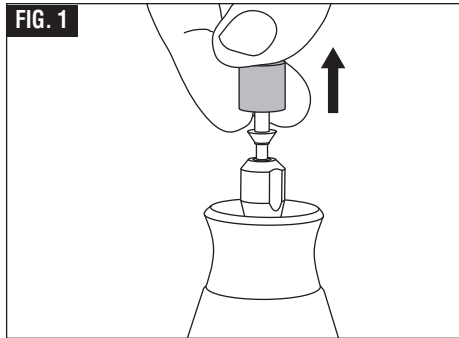
**Always make sure accessory is properly seated on mandrel before use.** Incorrect seating of accessory on mandrel may lead to personal injury or property damage.

### To load accessory:

1. As indicated, place two fingers underneath the mandrel and pull firmly up. This will place the EZ Drum™ in the "unlocked" position (Fig. 1).
2. Keeping two fingers beneath the mandrel, slide the sanding band down until the entire blue mandrel is covered (Fig. 2).
3. To return to "locked" position, press firmly down on the top of the mandrel (Fig. 3).

### Removing the sanding band on the mandrel:

1. Place two fingers underneath the mandrel and pull firmly up. This will place the EZ Drum™ in the "unlocked" position (Fig. 1).
2. Sanding band will now easily slide off mandrel (Fig. 2). Do not squeeze sanding band when removing from EZ Drum™ mandrel. This can lead to rubber band pulling off mandrel and becoming inoperable.



## Speed Settings

**Note: Each number settings listed in the speed charts = x 1,000 RPM**

- \* Speed for light cuts, Caution - burning on deep grooves.
- Depending on cutting direction relative to grain.

<b>High Speed Cutters</b>								
Catalog Number	Soft Wood	Hard Wood	Laminates /Plastics	Steel	Aluminum, Brass, etc.	Shell/ Stone	Ceramic	Glass
100, 121, 131	25-35	25-35	12-17	12-17	18-24	-	-	-
114, 124, 134, 144	25-35	12-17	9-11	12-17	12-17	-	-	-
118, 190, 191, 192, 193, 194	25-35	25-35	9-11	12-17	25-35	-	-	-
116, 117, 125, 196	25-35	12-17	9-11	12-17	12-17	-	-	-
115	25-35	25-35	9-11	12-17	12-17	-	-	-
198, 199	25-35	18-24	9-11	12-17	12-17	-	-	-

<b>Engraving Cutters</b>								
Catalog Number	Soft Wood	Hard Wood	Laminates /Plastics	Steel	Aluminum, Brass, etc.	Shell/ Stone	Ceramic	Glass
105, 108	25-35	25-35	18-24	9-11	12-17	-	-	-
106, 107, 109, 110	25-35	25-35	12-17	9-11	12-17	-	-	-
111	25-35*	25-35*	18-24*	9-11	12-17	-	-	-
112, 113	25-35*	25-35*	12-17*	9-11	12-17	-	-	-

<b>Diamond Wheel Points</b>								
Catalog Number	Soft Wood	Hard Wood	Laminates /Plastics	Steel	Aluminum, Brass, etc.	Shell/ Stone	Ceramic	Glass
7103, 7105, 7117, 7120, 7122, 7123, 7134, 7144	25-35	18-24	-	-	-	25-35	25-35	25-35

<b>Structured Tooth Tungsten Carbide Cutters</b>								
Catalog Number	Soft Wood	Hard Wood	Laminates /Plastics	Steel	Aluminum, Brass, etc.	Shell/ Stone	Ceramic	Glass
9931, 9932, 9933, 9934, 9935, 9936	25-35	18-24	9-11	-	12-17	-	-	-

## Speed Settings (Continued)

**Note: Each number settings listed in the speed charts = x 1,000 RPM**

- \* Speed for light cuts, Caution - burning on deep grooves.
- Depending on cutting direction relative to grain.

Tungsten Carbide Cutters								
Catalog Number	Soft Wood	Hard Wood	Laminates /Plastics	Steel	Aluminum, Brass, etc.	Shell/ Stone	Ceramic	Glass
9901, 9902, 9903, 9904, 9905, 9906, 9912	25-35	18-24	9-11	25-35	12-17	18-24	18-35	18-35
9909, 9910, 9911	-	-	-	-	-	18-24	18-35	18-35

High Speed Router Bits								
Catalog Number	Soft Wood	Hard Wood	Laminates /Plastics	Steel	Aluminum, Brass, etc.	Shell/ Stone	Ceramic	Glass
612, 640	25-35*	18-24•	-	-	-	-	-	-
615, 617, 618	25-35*	25-35•	-	-	-	-	-	-
650, 652, 654	25-35*	18-24•	-	-	-	-	-	-

Silicon Carbide Grinding Stones (blue/green)								
Catalog Number	Soft Wood	Hard Wood	Laminates /Plastics	Steel	Aluminum, Brass, etc.	Shell/ Stone	Ceramic	Glass
83142, 83322, 83702, 84922, 85422, 85602, 85622	-	-	12-17	25-35	9-11	12-17	25-35	25-35

Abrasive Wheels / Points								
Catalog Number	Soft Wood	Hard Wood	Laminates /Plastics	Steel	Aluminum, Brass, etc.	Shell/ Stone	Ceramic	Glass
516	4-6	4-6	-	18-24	12-17	-	-	-
500	4-6	4-6	-	18-24	9-17	-	-	-
EZ541GR	-	-	-	12-24	9-17	-	-	-

Aluminum oxide grinding stones (orange/brown)								
Catalog Number	Soft Wood	Hard Wood	Laminates /Plastics	Steel	Aluminum, Brass, etc.	Shell/ Stone	Ceramic	Glass
541, 903, 911, 921, 932, 941, 945, 952, 953, 954, 971, 997, 8153, 8175, 8193, 8215	25-35	25-35	-	18-24	9-11	12-17	25-35	-

## Speed Settings (Continued)

**Note:** Each number settings listed in the speed charts = x 1,000 RPM

- \* Speed for light cuts, Caution - burning on deep grooves.
- Depending on cutting direction relative to grain.

Chain Saw Sharpening Stones								
Catalog Number	Soft Wood	Hard Wood	Laminates /Plastics	Steel	Aluminum, Brass, etc.	Shell/ Stone	Ceramic	Glass
453, 454, 455	-	-	-	25-35	-	-	-	-

Cutting Accessories								
Catalog Number	Soft Wood	Hard Wood	Laminates /Plastics	Steel	Aluminum, Brass, etc.	Shell/ Stone	Ceramic	Glass
409, 420, 426, 540, EZ409	-	-	5-11	25-35	25-35	25-35	25-35	-
543, EZ544	25-35	18-35	5-11	-	-	-	-	-
545, EZ545	18-35	18-24	-	-	-	12-24	12-24	-
560	For use on drywall. For best results, use at 30,000 rpm							
561	12-35	12-35	5-11	-	25-35	-	-	-
562	-	-	-	-	-	-	25-35	-
EZ456	-	-	-	25-35	25-35	-	-	-
EZ476	-	-	5-11	-	-	-	-	-

Polishing Accessories								
Catalog Number	Soft Wood	Hard Wood	Laminates /Plastics	Steel	Aluminum, Brass, etc.	Shell/ Stone	Ceramic	Glass
461, 462, 463	-	-	-	18-24	18-24	18-24	18-24	18-24
414, 422, 429	-	-	-	12-17	12-17	12-17	12-17	12-17
425, 427	-	-	-	18-24	18-24	-	-	-
423E	-	-	-	12-24	5-8	5-8	5-8	12-24

Wire Brushes								
Catalog Number	Soft Wood	Hard Wood	Laminates /Plastics	Steel	Aluminum, Brass, etc.	Shell/ Stone	Ceramic	Glass
403, 404, 405	9-11	9-11	5-11	12-17	5-8	-	-	-
428, 442, 443	9-11	9-11	5-8	9-11	9-11	-	-	-
530, 531, 532	-	9-11	-	9-11	-	-	-	-
535, 536, 537	9-11	9-11	-	9-11	9-11	9-11	-	-

Sanding Bands and Discs								
Catalog Number	Soft Wood	Hard Wood	Laminates /Plastics	Steel	Aluminum, Brass, etc.	Shell/ Stone	Ceramic	Glass
407, 408, 430, 431, 432, 438, 439, 440, 444	5-35	5-35	5-17	25-35	25-35	5-35	5-35	-
411, 412, 413	12-17	12-17	5-8	-	5-8	-	-	-



## Speed Settings (Continued)

**Note:** Each number settings listed in the speed charts = x 1,000 RPM

- \* Speed for light cuts, Caution - burning on deep grooves.
- Depending on cutting direction relative to grain.

Flapwheels								
Catalog Number	Soft Wood	Hard Wood	Laminates /Plastics	Steel	Aluminum, Brass, etc.	Shell/ Stone	Ceramic	Glass
502, 503, 504, 505	25-35	18-24	5-8	25-35	18-35	-	-	-

Finishing Abrasive Buffs								
Catalog Number	Soft Wood	Hard Wood	Laminates /Plastics	Steel	Aluminum, Brass, etc.	Shell/ Stone	Ceramic	Glass
511E, 512E	12-17	12-17	9-11	12-17	12-17	-	-	-

Detail Abrasive Brushes								
Catalog Number	Soft Wood	Hard Wood	Laminates /Plastics	Steel	Aluminum, Brass, etc.	Shell/ Stone	Ceramic	Glass
EZ471SA, EZ472SA, EZ473SA	5-17	5-17	5-17	5-17	5-17	-	-	-

Drill Bit								
Catalog Number	Soft Wood	Hard Wood	Laminates /Plastics	Steel	Aluminum, Brass, etc.	Shell/ Stone	Ceramic	Glass
150	25-35	18-35	5-11	-	12-17	-	-	-

Glass Drilling Bits								
Catalog Number	Soft Wood	Hard Wood	Laminates /Plastics	Steel	Aluminum, Brass, etc.	Shell/ Stone	Ceramic	Glass
662DR, 663DR	-	-	-	-	-	5-17	5-17	5-17

Grout Removal Bits								
Catalog Number	Soft Wood	Hard Wood	Laminates /Plastics	Steel	Aluminum, Brass, etc.	Shell/ Stone	Ceramic	Glass
569, 570	For use on wall and floor grout					-	12-24	-

## Dremel® Limited Warranty

Your Dremel product is warranted against defective material or workmanship for a period of two years from date of purchase. In the event of a failure of a product to conform to this written warranty, please take the following action:

1. DO NOT return your product to the place of purchase.
2. Carefully package the product by itself, with no other items, and return it, freight prepaid, along with:
  - A. A copy of your dated proof of purchase (please keep a copy for yourself).
  - B. A written statement about the nature of the problem.
  - C. Your name, address and phone number to:

### UNITED STATES

Robert Bosch Tool Corporation  
Dremel Repairs 173 Lawrence  
428 Dock #2 Walnut Ridge, AR  
72476

OR

### CANADA

Giles Tool Agency  
47 Granger Av.  
Scarborough, Ontario Canada  
M1K 3K9  
1-416-287-3000

### OUTSIDE CONTINENTAL UNITED STATES CONTINENTAL UNITED STATES

See your local distributor or write to:

Dremel Repairs 173 Lawrence 428 Dock #2 Walnut Ridge, AR 72476

We recommend that the package be insured against loss or in transit damage for which we cannot be responsible.

This warranty applies only to the original registered purchaser. DAMAGE TO THE PRODUCT RESULTING FROM TAMPERING, ACCIDENT, ABUSE, NEGLIGENCE, UNAUTHORIZED REPAIRS OR ALTERATIONS, UNAPPROVED ATTACHMENTS OR OTHER CAUSES UNRELATED TO PROBLEMS WITH MATERIAL OR WORKMANSHIP ARE NOT COVERED BY THIS WARRANTY.

No employee, agent, dealer or other person is authorized to give any warranties on behalf of Dremel. If Dremel inspection shows that the problem was caused by problems with material or workmanship within the limitations of the warranty, Dremel will repair or replace the product free of charge and return product prepaid. Repairs made necessary by normal wear or abuse, or repair for product outside the warranty period, if they can be made, will be charged at regular factory prices.

DREMEL MAKES NO OTHER WARRANTY OF ANY KIND WHATEVER, EXPRESSED OR IMPLIED, AND ALL IMPLIED WARRANTIES OF MERCHANTABILITY AND FITNESS FOR A PARTICULAR PURPOSE WHICH EXCEED THE ABOVE MENTIONED OBLIGATION ARE HEREBY DISCLAIMED BY DREMEL AND EXCLUDED FROM THIS LIMITED WARRANTY.

This warranty gives you specific legal rights and you may also have other rights which vary from state to state. The obligation of the warrantor is solely to repair or replace the product. The warrantor is not liable for any incidental or consequential damages due to any such alleged defect. Some states do not allow the exclusion or limitation of incidental or consequential damages, so the above limitations or exclusion may not apply to you.





For prices and warranty fulfillment in the continental United States, contact your local Dremel distributor.

Exportado por: © Robert Bosch Tool Corporation Mt. Prospect, IL 60056-2230, E.U.A.

Importado a México por: Robert Bosch, S. de R.L. de C.V.  
Calle Robert Bosch No. 405 - 50071 Toluca, Edo. de Méx. - México  
Tel. 052 (722) 279 2300 ext 1160 / Fax. 052 (722) 216-6656

## Symboles relatifs à la sécurité

Les définitions ci-dessous décrivent le niveau de gravité pour chaque terme signalant un danger. Veuillez lire le mode d'emploi et lire la signification de ces symboles.

	C'est le symbole d'alerte relatif à la sécurité. Il est utilisé pour vous avertir de l'existence possible d'un danger de lésion corporelle. Obéissez à tous les messages relatifs à la sécurité qui suivent ce symbole pour éviter tout risque de blessure ou même de mort.
	DANGER indique une situation dangereuse qui, si elle n'est pas évitée, causera la mort d'une personne ou une blessure grave.
	AVERTISSEMENT indique une situation dangereuse qui, si elle n'est pas évitée, pourrait causer la mort d'une personne ou une blessure grave.
	MISE EN GARDE indique une situation dangereuse qui, si elle n'est pas évitée, causera une blessure légère ou modérée.

## Avertissements généraux concernant la sécurité des outils électroportatifs

**AVERTISSEMENT** Veuillez lire tous les avertissements et toutes les consignes de sécurité. Si l'on n'observe pas ces avertissements et ces consignes de sécurité, il existe un risque de choc électrique, d'incendie et/ou de blessures corporelles graves.

### CONSERVEZ TOUS LES AVERTISSEMENTS ET TOUTES LES CONSIGNES DE SÉCURITÉ POUR RÉFÉRENCE FUTURE.

Dans les avertissements, le terme « outil électroportatif » se rapporte à votre outil branché sur le secteur (avec fil) ou à votre outil alimenté par piles (sans fil).

### 1. Sécurité du lieu de travail

- a. **Maintenez le lieu de travail propre et bien éclairé.** Les risques d'accident sont plus élevés quand on travaille dans un endroit encombré ou sombre.
  - b. **N'utilisez pas d'outils électroportatifs dans des atmosphères explosives, comme par exemple en présence de gaz, de poussières ou de liquides inflammables.** Les outils électroportatifs produisent des étincelles qui risquent d'enflammer les poussières ou les vapeurs.
  - c. **Éloignez les enfants et les visiteurs quand vous vous servez d'un outil électroportatif.** Vous risquez une perte de contrôle si on vous distrait.
- b. **Évitez tout contact du corps avec des surfaces reliées à la terre tels que tuyaux, radiateurs, gazinières ou réfrigérateurs.** Le risque de choc électrique augmente si votre corps est relié à la terre.
  - c. **N'exposez pas les outils électroportatifs à la pluie ou à l'humidité.** Si de l'eau pénètre dans un outil électroportatif, le risque de choc électrique augmente.
  - d. **Ne maltraitez pas le cordon. Ne vous en servez jamais pour transporter l'outil électroportatif, pour le tirer ou pour le débrancher.** Éloignez le cordon de la chaleur, des huiles, des arêtes coupantes ou des pièces mobiles. Les cordons abîmés ou emmêlés augmentent les risques de choc électrique.

### 2. Sécurité électrique

- a. **Les fiches des outils électroportatifs doivent correspondre à la prise. Il ne faut absolument jamais modifier la fiche. N'utilisez pas d'adaptateur de prise avec**
- e. **Si vous utilisez un outil électroportatif à l'extérieur, employez une rallonge**

## Avertissements généraux concernant la sécurité des outils électroportatifs

**conçue pour l'extérieur.** Ces rallonges sont faites pour l'extérieur et réduisent le risque de choc électrique.

- f. S'il est absolument nécessaire d'utiliser l'outil électroportatif dans un endroit humide, utilisez une alimentation protégée par un disjoncteur de fuite de terre (GFCI).** L'utilisation d'un disjoncteur GFCI réduit les risques de choc électrique.

### 3. Sécurité personnelle

- a. Restez concentré, faites attention à ce que vous faites, et servez-vous de votre bon sens lorsque vous utilisez un outil électroportatif. N'employez pas d'outils électroportatifs quand vous êtes fatigué ou sous l'emprise de drogues, d'alcool ou de médicaments.** Quand on utilise des outils électroportatifs, il suffit d'un moment d'inattention pour causer des blessures corporelles graves.
- b. Utilisez des équipements de sécurité personnelle. Portez toujours une protection oculaire.** Le port d'équipements de sécurité tels que des masques antipoussières, des chaussures de sécurité antidérapantes, des casques de chantier et des protecteurs d'oreilles dans des conditions appropriées réduira le risque de blessure corporelle.
- c. Évitez les démarrages intempestifs. Assurez-vous que l'interrupteur est dans la position arrêt (Off) avant de brancher l'outil dans une prise de courant et/ou un bloc-piles, de le ramasser ou de le transporter.** Le transport d'un outil électroportatif avec le doigt sur la gâchette ou le branchement de cet outil quand l'interrupteur est en position de marche (ON) est une invite aux accidents.
- d. Enlevez toutes les clés de réglage avant de mettre l'outil électroportatif en marche.** Si on laisse une clé sur une pièce tournante de l'outil électroportatif, il y a risque de blessure corporelle.
- e. Ne vous penchez pas. Conservez toujours une bonne assise et un bon équilibre.** Ceci vous permettra de mieux maîtriser l'outil électroportatif dans des situations inattendues.
- f. Habillez-vous de manière appropriée. Ne portez pas de vêtements amples ou de bijoux. Attachez les cheveux longs. N'approchez pas les cheveux, les vêtements ou les gants des pièces en**

**mouvement.** Les vêtements amples, les bijoux ou les cheveux longs risquent d'être happés par les pièces en mouvement.

- g. Si l'outil est muni de dispositifs permettant le raccordement d'un système d'aspiration et de collecte des poussières, assurez-vous que ces dispositifs sont raccordés et utilisés correctement.** L'utilisation d'un dépoussiéreur peut réduire les dangers associés à l'accumulation de poussière.

### 4. Utilisation et entretien des outils électroportatifs

- a. Ne forcez pas sur l'outil électroportatif. Utilisez l'outil électroportatif qui convient à la tâche à effectuer.** L'outil qui convient à la tâche fait un meilleur travail et est plus sûr à la vitesse pour lequel il a été conçu.
- b. Ne vous servez pas de l'outil électroportatif si son interrupteur ne parvient pas à le mettre en marche ou à l'arrêter.** Tout outil électroportatif qui ne peut pas être commandé par son interrupteur est dangereux et doit être réparé.
- c. Débranchez la fiche de la prise ou enlevez le bloc-pile de l'outil électroportatif avant tout réglage, changement d'accessoires ou avant de ranger l'outil électroportatif.** De telles mesures de sécurité préventive réduisent le risque de démarrage intempestif de l'outil électroportatif.
- d. Rangez les outils électroportatifs dont vous ne vous servez pas hors de portée des enfants et ne permettez pas à des personnes qui ne connaissent pas l'outil électroportatif ou qui ignorent ces consignes de s'en servir.** Les outils électroportatifs sont dangereux dans les mains d'utilisateurs inexpérimentés.
- e. Entretenez les outils électroportatifs. Vérifiez que les pièces mobiles sont alignées correctement et ne coincent pas. Vérifiez qu'il n'y a pas de pièces cassées ou d'autre circonstance qui risquent d'affecter le fonctionnement de l'outil électroportatif. Si l'outil est abîmé, faites-le réparer avant de l'utiliser.** De nombreux accidents sont causés par des outils électroportatifs mal entretenus.
- f. Maintenez les outils coupants affûtés et**

## Avertissements généraux concernant la sécurité des outils électroportatifs

- propres.** Les outils coupants entretenus correctement et dotés de bords tranchants affûtés sont moins susceptibles de coincer et sont plus faciles à maîtriser.
- g. Utilisez l'outil électroportatif, les accessoires et les embouts d'outil, etc. conformément à ces instructions, en tenant compte des conditions de travail et des travaux à réaliser.** L'emploi d'outils électroportatifs pour des tâches différentes de celles pour lesquelles ils ont été prévus peut résulter en une situation dangereuse.
- créer un risque de blessures et d'incendie.
- c. Lorsque le bloc-piles n'est pas utilisé, gardez-le à distances d'autres objets métalliques tels que des trombones, des pièces de monnaie, des clés, des clous, des vis ou de tout autre objet métallique pouvant faire une connexion entre une borne et une autre.** Court-circuiter les bornes des piles peut causer des brûlures ou un incendie.
- d. Dans des conditions abusives, du liquide peut être éjecté de la pile ; dans un tel cas, évitez tout contact avec ce liquide. Si un contact se produit accidentellement, rincez avec de l'eau. Si le liquide entre en contact avec les yeux, consultez un médecin.** Du liquide éjecté de la pile peut causer des irritations ou des brûlures.

### 5. Utilisation et entretien des outils à piles

- a. Rechargez les piles uniquement avec le chargeur spécifié par le fabricant.** Un chargeur qui convient à un type de bloc-piles peut entraîner un risque d'incendie quand il est utilisé avec un autre bloc-piles.
- b. Utilisez des outils électroportatifs uniquement avec les bloc-piles spécifiquement désignés pour eux.** L'utilisation de tout autre bloc-piles peut

### 6. Entretien

- a. Faites réparer votre outil électroportatif par un agent de service qualifié n'utilisant que des pièces de rechange identiques.** Ceci assure que la sécurité de l'outil électroportatif est préservée.

## Consignes de sécurité pour les outils rotatifs

### Avertissements relatifs à la sécurité communs aux opérations de meulage, de ponçage, de passage à la brosse métallique, de polissage, de ciselage et de tronçonnage abrasif :

- a. Cet outil électroportatif est conçu pour fonctionner comme outil adapté aux opérations de meulage, de ponçage, de passage à la brosse métallique, de polissage, de ciselage ou de tronçonnage. Lisez l'ensemble des avertissements relatifs à la sécurité, des instructions, des illustrations et des spécifications accompagnant cet outil électroportatif.** Le non-respect de toutes les instructions figurant ci-dessous pourrait causer un choc électrique, un incendie et/ou une blessure grave.
- b. N'utilisez pas d'accessoires qui ne sont pas conçus et recommandés spécifiquement par le fabricant de l'outil.** Le simple fait que l'accessoire puisse être connecté à votre outil électroportatif ne suffit pas à garantir un fonctionnement sans danger.
- c. La vitesse nominale des accessoires doit être au moins égale à la vitesse de fonctionnement indiquée sur l'outil électrique.** Si des accessoires fonctionnent à une vitesse supérieure à leur vitesse nominale, ils risquent de se casser et d'être projetés dans l'air.
- d. Le diamètre extérieur et l'épaisseur de votre accessoire doivent être compris dans la capacité nominale de votre outil électromécanique.** Des accessoires de taille incorrecte ne peuvent pas être contrôlés de façon adéquate.
- e. La taille de l'axe de rotation des meules, des tambours de ponçage ou de tous autres accessoires doit correspondre exactement à celle de l'axe de rotation ou à la douille de l'outil électroportatif.** Les accessoires qui ne correspondent pas à la taille du matériel de montage de

## Consignes de sécurité pour les outils rotatifs

l'outil électroportatif fonctionneront de manière déséquilibrée, avec des vibrations excessives, et ils risqueraient de causer une perte de contrôle.

- f. **Les meules montées à mandrin, ainsi que les cylindres de contact, les outils de coupe ou autres accessoires doivent être totalement insérés dans la douille ou le mandrin.** Si le mandrin n'est pas suffisamment maintenu et/ou si le porte-à-faux de la meuleuse est trop long, la meule montée risque de se détacher et d'être éjectée violemment.
- g. **N'utilisez pas un accessoire endommagé. Avant chaque utilisation, inspectez l'accessoire (p. ex., une meule abrasive pour vous assurer qu'il n'y a pas de fissures ou d'éclats, un tambour de ponçage pour vous assurer qu'il n'est pas fissuré ou excessivement usé, ou une brosse métallique pour vous assurer qu'elle ne comporte pas de fils desserrés ou fissurés).** Si vous avez laissé tomber l'outil ou l'accessoire, inspectez-le pour vous assurer qu'il n'est pas endommagé ou installez un accessoire qui n'est pas endommagé. Après avoir inspecté et installé un accessoire, placez-vous (et toutes autres personnes présentes) hors de la trajectoire prévisible de l'accessoire en rotation, et faites fonctionner l'outil électroportatif à la vitesse maximum à vide pendant une minute. Des accessoires endommagés se briseraient normalement avant la fin de la durée de ce test.
- h. **Portez des équipements de protection personnelle. Selon l'application, utilisez un écran de protection du visage, des lunettes de protection ou des lunettes de sécurité. Suivant les besoins, portez également un masque de protection contre la poussière, des protecteurs d'oreilles, des gants et un tablier d'atelier capable d'intercepter des petits objets ou fragments d'ouvrage abrasifs. Le dispositif de protection des yeux doit être capable d'intercepter des débris volants projetés par diverses opérations.** L'appareil respiratoire ou le masque de protection doit être capable de filtrer les particules produites par votre opération. Une exposition prolongée à un bruit de haute intensité peut causer une perte auditive.
- i. **Veillez à ce que toutes les personnes présentes soient à une distance de sécurité de la zone de travail. Toute personne entrant dans la zone de travail doit porter des équipements de protection personnelle.** Des fragments d'ouvrage ou d'un accessoire cassé pourraient être projetés violemment et causer des blessures au-delà de la zone d'opération immédiate.
- j. **Ne tenez l'outil électroportatif que par ses surfaces de préhension isolées lorsque vous effectuez une opération au cours de laquelle l'accessoire de coupe risquerait d'entrer en contact avec des fils électriques cachés.** L'entrée de l'accessoire de coupe en contact avec un fil sous tension pourrait mettre les surfaces en métal exposées de l'outil électroportatif sous tension et causer un choc électrique à l'opérateur.
- k. **Tenez toujours l'outil fermement à la main (ou avec les deux mains) lors de la mise en marche.** Le couple de réaction du moteur, lorsqu'il passe à la vitesse maximale, risque de causer une rotation accidentelle de l'outil.
- l. **Utilisez des brides de fixation pour soutenir l'ouvrage chaque fois que cela est possible. Ne tenez jamais un ouvrage de petites dimensions d'une main et l'outil de l'autre main lorsque ce dernier est en marche.** L'assujettissement d'un ouvrage de petites dimensions vous permet d'utiliser votre main ou vos deux mains pour mieux contrôler l'outil. Des objets ronds tels que des tiges, des tuyaux ou des tubes ont tendance à rouler lorsqu'ils sont coupés, ce qui peut coincer l'embout ou le faire sauter dans votre direction.
- m. **Positionnez le cordon à une distance suffisante de l'accessoire en rotation.** En cas de perte de contrôle, le cordon risquerait d'être coupé ou coincé, et votre main ou votre bras pourrait être attiré dans l'accessoire en rotation.
- n. **Ne posez jamais l'outil électroportatif avant que l'accessoire se soit totalement arrêté.** L'accessoire en rotation risquerait d'accrocher la surface et de tirer sur l'outil, vous faisant perdre le contrôle de l'outil électroportatif.
- o. **Après avoir changé un embout ou effectué un réglage, veillez à ce que l'écrou de fixation de la douille ou tout autre dispositif de fixation soit solidement attaché.** Des dispositifs de fixation mal serrés pourraient changer de

## Consignes de sécurité pour les outils rotatifs

position de manière imprévisible et causer une perte de contrôle, auquel cas les composants en rotation mal assujettis se détacheraient et seraient projetés violemment.

- p. **Ne laissez pas l'outil électroportatif en marche pendant que vous le transportez.** Un contact accidentel avec l'accessoire pourrait lui faire accrocher vos vêtements, attirant ainsi l'accessoire vers votre corps et risquant de vous blesser.
- q. **Nettoyez régulièrement les événements d'aération de l'outil électroportatif.** Le ventilateur du moteur attirera de la poussière à l'intérieur du carter, et une accumulation excessive de métal en poudre pourrait causer des dangers électriques.
- r. **N'utilisez pas l'outil électroportatif à proximité de matériaux inflammables.** Des étincelles risqueraient de mettre le feu à ces matériaux.
- s. **N'utilisez pas d'accessoires qui nécessitent des liquides de refroidissement.** L'utilisation d'eau ou d'autres liquides de refroidissement pourrait causer une électrocution ou un choc électrique.
- t. **Utilisez seulement dans un endroit bien ventilé.** Travailler dans un environnement sécurisé réduit les risques de blessures.
- u. **Prévoyez suffisamment d'espace, au moins 15 cm, entre votre main et la mèche en train de tourner. Maintenez toutes les parties de votre corps à une distance suffisante de la mèche en rotation.** La proximité de la mèche en rotation par rapport à votre main n'est pas toujours évidente.
- v. **Ne touchez pas la mèche ou la douille tout de suite après avoir utilisé l'outil.** Après l'emploi, la mèche et la douille sont trop chaudes pour que l'on puisse les toucher avec les mains nues.
- w. **Ne modifiez pas l'outil et ne le soumettez pas à un usage abusif.** Toute altération ou modification est considérée comme une utilisation inappropriée et pourrait entraîner des blessures graves.
- x. **Ce produit n'a pas été conçu pour une utilisation comme foret dentaire ou pour d'autres applications médicales ou vétérinaires.** Cela risquerait de causer des blessures graves.

### Avertissements concernant l'effet de rebond et avertissements associés

L'effet de rebond est une réaction soudaine à un pincement ou à l'accrochage d'une meule, d'un plateau porte-disque, d'une brosse ou de tout autre accessoire en rotation. Le pincement ou l'accrochage cause un blocage rapide de l'accessoire en rotation, ce qui, à son tour, cause la projection de l'outil électroportatif qui n'est plus contrôlé dans le sens opposé à celui de la rotation de l'accessoire.

Par exemple, si une meule abrasive est accrochée ou pincée par l'ouvrage, le bord de la meule qui entre dans le point de pincement peut s'enfoncer dans la surface du matériau et causer un choc en retour, étant éjectée violemment du matériau. La meule peut alors être projetée vers l'opérateur, ou dans le sens contraire, en fonction du sens du mouvement de la meule au point de pincement. Les meules abrasives risquent également de se casser dans de telles circonstances.

L'effet de rebond est la conséquence d'une utilisation incorrecte de l'outil électroportatif et/ou de conditions ou de procédures d'utilisation incorrectes ; il peut être évité si l'on prend les précautions appropriées, comme indiqué ci-dessous.

- a. **Maintenez une prise ferme sur l'outil électroportatif et positionnez votre corps et vos bras de façon à vous permettre de résister à la force d'un tel effet de rebond éventuel.** L'opérateur peut contrôler les forces des effets de rebond s'il prend les précautions nécessaires.
- b. **Faites particulièrement attention lorsque vous travaillez dans des coins, sur des bords tranchants, etc. Évitez de faire rebondir l'accessoire ou de le laisser s'accrocher.** Les coins, les bords tranchants et les rebondissements ont tendance à accrocher un accessoire en rotation et de causer une perte de contrôle ou un choc en retour.
- c. **N'attachez pas une lame de scie dentelée.** De telles lames causent souvent des effets de rebond et des pertes de contrôle.
- d. **Faites toujours pénétrer l'embout dans le matériau dans le même sens que celui dans lequel le bord coupant en ressort (qui est le même sens que celui dans**

## Consignes de sécurité pour les outils rotatifs

lequel les copeaux sont projetés). Si l'embout pénètre dans le matériau dans le mauvais sens, le bord coupant de l'embout risque d'être éjecté de l'ouvrage et d'attirer l'outil dans le sens de pénétration de l'embout.

- e. **Lorsque vous utilisez des limeuses, des meules de tronçonnage, des outils de coupe à haute vitesse ou des outils de coupe au carbure de tungstène rotatifs, utilisez toujours des brides de fixation pour immobiliser l'ouvrage de façon sécurisée.** Ces meules s'accrocheront si elles sont légèrement inclinées dans la rainure, et un choc en retour est possible. Quand une meule de tronçonnage est accrochée, elle se casse la plupart du temps. Quand une limeuse, un outil de coupe à haute vitesse ou un outil de coupe au carbure de tungstène rotatif est accroché, il risque de sortir de la rainure et de vous faire perdre le contrôle de l'outil.
- d. **Ne positionnez pas votre main dans la trajectoire de la meule en rotation ou derrière celle-ci.** Lorsque la meule, au point de fonctionnement, s'éloigne de votre main, l'effet de rebond possible pourrait propulser la meule en rotation et l'outil électroportatif directement vers vous.
- e. **Lorsque la meule est pincée ou accrochée, ou quand une opération de coupe est interrompue pour quelque raison que ce soit, mettez l'outil électroportatif hors tension et tenez-le en position fixe jusqu'à ce que la meule s'arrête complètement. Ne tentez jamais de faire sortir la meule de tronçonnage de la rainure pendant qu'elle est toujours en train de tourner, car cela pourrait causer un choc en retour.** Effectuez une inspection de la situation et prenez des mesures correctives pour éliminer la cause du pincement ou de l'accrochage de la meule.

### Avertissements relatifs à la sécurité pour les opérations de meulage et de tronçonnage abrasif :

- a. **N'utilisez que les types de meules qui sont recommandés pour votre outil électroportatif et pour certaines applications. Par exemple : ne meulez pas avec le côté d'une meule de tronçonnage.** Comme les meules de tronçonnage abrasif sont conçues pour un meulage périphérique, les forces latérales appliquées sur ces meules pourraient les faire éclater.
- b. **Pour les cônes et les tampons abrasifs filetés, utilisez seulement des mandrins de meules en bon état avec une bride de fixation d'épaulement de la taille et de la longueur nécessaires.** L'utilisation de mandrins appropriés réduira le risque de cassure.
- c. **Ne "coincez" pas une meule de tronçonnage et n'appliquez pas une pression excessive sur une telle meule. Ne tentez pas de réaliser une coupe de profondeur excessive.** Ceci causerait une augmentation de la charge et le risque de voir la meule se tordre ou s'accrocher dans la rainure, avec comme conséquence possible un choc en retour ou la cassure de la meule.
- f. **Ne recommencez pas à couper dans l'ouvrage immédiatement. Attendez que la meule atteigne sa vitesse normale et introduisez-la alors à nouveau dans l'ouvrage en prenant les précautions nécessaires.** La meule risquerait de se coincer, de sortir de la rainure ou de causer un choc en retour si l'outil électroportatif était remis en marche alors qu'elle se trouvait toujours dans l'ouvrage.
- g. **Supportez les panneaux ou les ouvrages de grande taille afin de minimiser le risque de pincement de la meule et de choc en retour.** Les ouvrages de grande taille ont tendance à s'affaisser sous leur propre poids. Des supports doivent être placés sous ces ouvrages, à proximité de la ligne de coupe et près du bord de l'ouvrage, des deux côtés de la meule.
- h. **Prenez encore plus de précautions lorsque vous "découpez une cavité" dans des murs existants ou dans d'autres endroits sans visibilité.** La meule saillante risque de couper une canalisation d'eau ou de gaz, des fils électriques ou des objets pouvant causer un choc en retour.



## Consignes de sécurité pour les outils rotatifs

### Avertissements relatifs à la sécurité pour les opérations avec des brosses métalliques :

- a. **Tenez toujours compte du fait que des poils des brosses se détachent et sont projetés par les brosses même dans des conditions de fonctionnement normales. N'aggravez pas ce problème en faisant pression excessivement sur la brosse.** Les poils d'une brosse métallique ainsi projetés peuvent facilement s'enfoncer dans des vêtements légers et/ou dans la peau.
- b. **Laissez les brosses fonctionner à la vitesse normale pendant au moins une minute avant de les utiliser. Pendant ce temps personne ne doit se tenir devant la brosse ou dans sa trajectoire possible.** Des fils ou poils lâches seront déchargés pendant cette période de fonctionnement initiale.
- c. **Dirigez la décharge de la brosse métallique en rotation dans le sens opposé à l'endroit où vous vous trouvez.** De petites particules et de minuscules fragments de fils peuvent être déchargés à haute vitesse pendant l'utilisation de ces brosses et risquent de s'enfoncer dans votre peau.

### Avertissements supplémentaires concernant la sécurité

- a. L'emploi d'un GFCI et de dispositifs de protection personnelle tels que gants et chaussures d'électricien en caoutchouc améliorent votre sécurité personnelle.
- b. **Maintenez les poignées sèches et exemptes d'huile et de graisse.** On ne peut maîtriser un outil électroportatif en toute sécurité quand on a les mains glissantes.
- c. **Créez un agenda d'entretien périodique pour votre outil. Quand vous nettoyez un outil, faites attention de n'en démonter aucune pièce car il est toujours possible de mal remonter ou de pincer les fils internes ou de remonter incorrectement les ressorts de rappel des capots de protection.** Certains agents de nettoyage tels que l'essence, le tétrachlorure de carbone, l'ammoniaque, etc. risquent d'abîmer les plastiques.
- d. **Veillez à ce que l'interrupteur soit dans la position de fermeture avant d'insérer le bloc-piles.** L'insertion d'un bloc-piles dans un outil électroportatif dont l'interrupteur est dans la position de marche est une invite aux accidents.

**⚠ AVERTISSEMENT** Les travaux à la machine tel que ponçage, sciage, meulage, perçage et autres travaux du bâtiment peuvent créer des poussières contenant des produits chimiques qui sont des causes reconnues de cancer, de malformation congénitale ou d'autres problèmes reproductifs. Ces produits chimiques sont, par exemple :

- Le plomb provenant des peintures à base de plomb,
- Les cristaux de silices provenant des briques et du ciment et d'autres produits de maçonnerie, et
- L'arsenic et le chrome provenant des bois traités chimiquement.

Le niveau de risque dû à cette exposition varie avec la fréquence de ces types de travaux. Pour réduire l'exposition à ces produits chimiques, il faut travailler dans un lieu bien ventilé et porter un équipement de sécurité approprié tel que certains masques à poussière conçus spécialement pour filtrer les particules microscopiques.

**⚠ AVERTISSEMENT** Vous devez lire et comprendre toutes les instructions. Le non-respect, même partiel, des instructions ci-après entraîne un risque de choc électrique, d'incendie et/ou de blessures graves.

**IMPORTANTES CONSIGNES DE SÉCURITÉ ET DE FONCTIONNEMENT  
CONSERVEZ CES INSTRUCTIONS**

## Consignes de sécurité applicables aux chargeurs

- a. **Ce manuel contient des instructions pour le chargeur de piles modèle GAL12V-20.** Ne lui substituez aucun autre chargeur.
- b. **Avant d'utiliser le chargeur de piles, lisez toutes les instructions et toutes les mises en garde figurant sur (1) le chargeur de piles, (2) le bloc-piles et (3) le produit utilisant les piles.**
- c. **Chargez uniquement des piles rechargeables Dremel indiquées à la page 38.** D'autres types de piles risqueraient d'éclater et de causer ainsi des blessures et des dommages.
- d. **Chargez le bloc-piles à des températures supérieures à +32 degrés F (0 degré C) et inférieures à +113 degrés F (45 degrés C).** Rangez l'outil et le bloc-piles à des endroits dont la température ne dépassera pas 120 degrés F (49 degrés C). Ceci est important pour ne pas risquer de causer des dommages graves aux cellules des piles.
- e. **Ne rechargez pas les piles dans un environnement humide ou mouillé. N'exposez pas le chargeur à la pluie ou à la neige.** La pénétration d'eau dans le chargeur de piles risquerait de causer un choc électrique ou un incendie.
- f. **Il peut y avoir une fuite de pile dans des conditions extrêmes d'utilisation ou de température. Évitez tout contact avec la peau et les yeux.** Le liquide de pile est caustique et pourrait causer des brûlures chimiques aux tissus. Si le liquide vient en contact avec la peau, lavez rapidement à l'eau savonneuse. Si le liquide vient en contact avec les yeux, rincez-les à l'eau pendant au moins 10 minutes et sollicitez des soins médicaux.
- g. **Placez le chargeur sur des surfaces plates et non inflammables, et à distance de tous matériaux inflammables, lorsque vous rechargez le bloc-piles.** De la moquette et d'autres surfaces thermiquement isolantes bloquent une circulation appropriée de l'air, ce qui pourrait causer une surchauffe du chargeur et du bloc-piles. Si vous observez de la fumée ou si vous voyez que le chargeur ou le bloc-piles commence à fondre, débranchez immédiatement le chargeur et ne servez plus du chargeur ou du bloc-piles. Contactez immédiatement le service à la clientèle.
- h. **Assurez-vous que le cordon est placé à un endroit où il ne sera pas piétiné, ou il ne fera trébucher personne et ou il ne sera pas exposé par ailleurs à des dommages ou à des contraintes.** Une fiche et un cordon endommagés pourraient causer un choc électrique ou un incendie.
- i. **Débranchez le chargeur en tirant sur la fiche et non sur le cordon. N'utilisez pas un chargeur dont le cordon ou la fiche est endommagé ; faites-les remplacer immédiatement.** Une fiche ou un cordon endommagé pourrait causer un choc électrique ou un incendie.
- j. **N'insérez pas de bloc-piles dans le chargeur si le boîtier du bloc-piles est fissuré.** L'utilisation d'un bloc-piles endommagé pourrait causer un choc électrique ou un incendie.
- k. **Ne démontez pas le chargeur et ne l'utilisez pas s'il a reçu un impact violent, s'il est tombé ou s'il a été endommagé par ailleurs d'une quelconque autre façon.** Un réassemblage incorrect ou un endommagement pourrait causer un choc électrique ou un incendie.
- l. **Avant chaque utilisation, inspectez le chargeur de piles, le câble et la fiche. N'utilisez pas le chargeur de piles si vous détectez un dommage quelconque. N'ouvrez jamais le chargeur de piles vous-même ; apportez-le dans un Centre de service usine de Dremel ou chez un réparateur compétent n'utilisant que des pièces de rechange d'origine.** Un réassemblage incorrect pourrait causer un choc électrique ou un incendie.
- m. **N'utilisez pas d'accessoire qui n'est pas recommandé ou vendu par Dremel.** L'utilisation d'accessoires non recommandés pourrait causer un choc électrique ou un incendie.

## Consignes de sécurité applicables aux chargeurs

- n. **Ne rangez pas le chargeur avec un bloc-piles à l'intérieur.** Le stockage d'un bloc-piles à l'intérieur d'un chargeur pendant une période prolongée pourrait endommager le bloc-piles et risquerait même de causer un incendie.
- o. **Débranchez le chargeur de la prise de courant avant de le ranger, d'effectuer une opération de maintenance ou de réparation, ou de le nettoyer.** De telles mesures préventives en matière de sécurité réduisent le risque de choc électrique ou d'incendie.
- p. **Gardez le chargeur de piles propre en soufflant de l'air comprimé sur les événements du chargeur et en essuyant le boîtier du chargeur avec un tissu humide.** Tout contamination pourrait causer un choc électrique ou un incendie.
- q. **Remplacez le bloc-piles si vous constatez une baisse substantielle de l'autonomie de fonctionnement après les recharges.** Cela signifie peut-être que le bloc-piles s'approche de la fin de sa vie utile.

## Entretien des piles

**AVERTISSEMENT** Lorsque les piles ne sont pas dans l'outil ou le chargeur, gardez-les à l'écart d'objets métalliques. Ainsi, pour éviter un court-circuitage des bornes, **NE PLACEZ PAS** les piles dans la boîte à outils ou dans

la poche avec des clous, des vis, des clés, etc. Ceci peut provoquer un incendie ou des blessures.

**NE METTEZ PAS LES PILES AU FEU ET NE LES EXPOSEZ PAS À UNE CHALEUR ÉLEVÉE.** Elles peuvent exploser.

## Mise au rebut des piles

**AVERTISSEMENT** Ne tentez pas de désassembler le bloc-piles ou d'enlever tout composant faisant saillie des bornes de piles, ce qui peut provoquer un incendie ou des blessures. Avant la mise au rebut, protégez les bornes exposées à l'aide d'un ruban isolant épais pour prévenir le court-circuitage.

(Li-ion) indique que Robert Bosch Tool Corporation participe volontairement à un programme industriel de ramassage et de recyclage de ces piles au terme de leur vie utile, pourvu qu'elles soient mises hors service aux États-Unis ou au Canada. Le programme du RBRC offre une alternative pratique à la mise des piles au Li-ion usées au rebut ou au ramassage d'ordures municipal, ce qui pourrait être interdit dans votre région.

### Piles lithium-ion

Si le produit est équipé d'une pile lithium-ion, la pile doit être ramassée, recyclée ou mise au rebut d'une manière qui ne soit pas nocive pour l'environnement.








“Le sceau RBRC de recyclage des piles, homologué par l'EPA (Agence pour la protection de l'environnement des États-Unis), qui se trouve sur les piles au lithium-ion

Veillez appeler le 1-800-8-BATTERY pour obtenir de plus amples renseignements sur le recyclage des piles au Li-ion et sur les restrictions ou interdictions de mise au rebut qui s'appliquent à votre région ou envoyez vos piles à un Centre de Service Bosch/Dremel pour recyclage. La participation de Robert Bosch Tool Corporation à ce programme s'insère dans le contexte de notre engagement à préserver notre environnement et à conserver nos ressources naturelles.”













## Symboles

**Important :** Certains des symboles suivants peuvent être utilisés sur votre outil. Veuillez les étudier et apprendre leur signification. Une interprétation appropriée de ces symboles vous permettra d'utiliser l'outil de façon plus efficace et plus sûre.

Symbole	Désignation/Explication
V	Volts (tension)
A	Ampères (courant)
Hz	Hertz (fréquence, cycles par seconde)
W	Watt (puissance)
kg	Kilogrammes (poids)
min	Minutes (temps)
s	Secondes (temps)
∅	Diamètre (taille des mèches de perceuse, meules, etc.)
$n_0$	Vitesse à vide (vitesse de rotation, à vide)
n	Vitesse nominale (vitesse maximum pouvant être atteinte)
.../min	Tours ou mouvement alternatif par minute (tours, coups, vitesse en surface, orbites, etc., par minute)
0	Position d'arrêt (vitesse zéro, couple zéro ...)
1, 2, 3, ... I, II, III,	Réglages du sélecteur (Réglages de vitesse, de couple ou de position. Un nombre plus élevé signifie une vitesse plus grande)
	Sélecteur variable à l'infini avec arrêt (La vitesse augmente depuis le réglage 0)
	Flèche (action dans la direction de la flèche)
	Courant alternatif (type ou caractéristique du courant)
	Courant continu (type ou caractéristique du courant)
	Courant alternatif ou continu (type ou caractéristique du courant)
	Construction classe II (désigne des outils construits avec double isolation)
	Borne de terre (borne de mise à la terre)

## Symboles

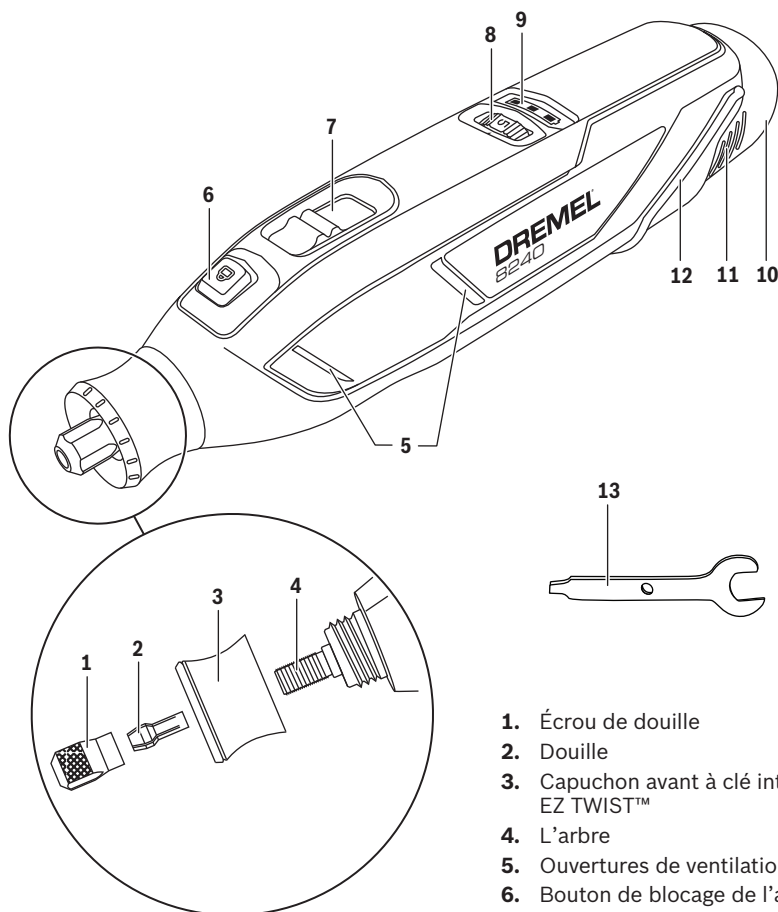
**Important :** Certains des symboles suivants peuvent être utilisés sur votre outil. Veuillez les étudier et apprendre leur signification. Une interprétation appropriée de ces symboles vous permettra d'utiliser l'outil de façon plus efficace et plus sûre.

Symbole	Désignation/Explication
	Alerte l'utilisateur pour lire le mode d'emploi.
	Alerte l'utilisateur pour porter des lunettes de sécurité.
	Alerte l'utilisateur pour porter une protection respiratoire.
	Alerte l'utilisateur pour porter des protecteurs d'oreilles.
	Fait savoir à l'utilisateur qu'il doit porter des protections oculaires, respiratoires et auditives.
	Ce symbole signifie que cet outil est approuvé par Underwriters Laboratories selon les normes des États-Unis et du Canada.
	Ce symbole signifie que cet outil est approuvé par l'Association canadienne de normalisation.
	Ce symbole signifie que cet outil est approuvé par l'Association canadienne de normalisation selon les normes des États-Unis et du Canada.
	Ce symbole signifie que cet outil est approuvé par Intertek Testing Services selon les normes des États-Unis et du Canada.
	Désigne le programme de recyclage des piles Li-ion.

## Description fonctionnelle et spécifications

### Outil rotatif sans cordon modèle 8240

Fig. 1



1. Écrou de douille
2. Douille
3. Capuchon avant à clé intégrée EZ TWIST™
4. L'arbre
5. Ouvertures de ventilation
6. Bouton de blocage de l'arbre
7. Interrupteur de marche/arrêt
8. Cadran de commande de vitesse variable
9. Indicateur de charge de la pile
10. Bloc-piles
11. Touches de déverrouillage des piles
12. Bride de suspension
13. Clé à douille

Numéro de modèle .....8240  
 Tension nominale .....10,8V/12V  $\overline{\text{---}}$  MAX  
 Vitesse nominale .....n 5 000 – 35 000/mn  
 Capacités de la douille ....0,8 mm, 1,6 mm,  
 2,4 mm, 3,2 mm  
 Chargeur .....GAL12V-20  
 Tension nominale .....120 V~ 60 Hz

#### Bloc-piles/chargeurs

Veuillez vous référer à la liste des piles/chargeurs accompagnant votre outil.

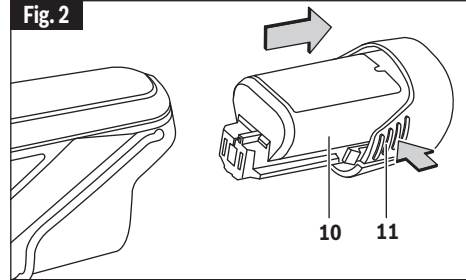
## Assemblage

**⚠ AVERTISSEMENT** Débranchez le bloc-piles de l'outil avant d'effectuer tout assemblage ou réglage, ou de changer des accessoires. Ces mesures de sécurité préventives réduisent le risque d'une mise en marche accidentelle de l'outil.

### Insertion et retrait du bloc-piles

Enlevez le bloc-piles **10** de l'outil en pinçant les deux côtés à la hauteur des touches de déverrouillage **11** et en le tirant vers le bas (Fig. 2).

Pour remettre le bloc dans l'outil, glissez-le dans l'ouverture jusqu'à ce qu'il se verrouille en place. Ne forcez pas outre mesure.

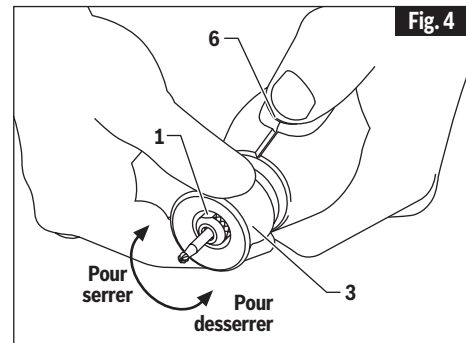
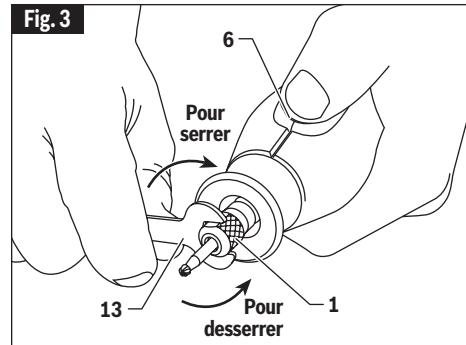


### Écrou de douille

Pour desserrer, appuyez d'abord sur le bouton de blocage de l'arbre **6** et tournez l'arbre à la main jusqu'à ce que le dispositif de blocage engage l'arbre, empêchant ainsi toute rotation ultérieure. Votre outil Dremel 8240 est fourni avec un mécanisme de blocage rapide de la douille. Ce mécanisme engage l'arbre de sortie à 8 endroits différents sur l'arbre pour faciliter le fonctionnement.

**⚠ MISE EN GARDE** N'appuyez pas sur le bouton de blocage de l'arbre pendant que l'outil rotatif est en marche.

L'arbre étant bloqué, utilisez la clé à douille **13** pour desserrer l'écrou de douille **1**, au besoin. L'écrou de douille doit être engagé sans serrer lors de l'insertion d'un accessoire. Changez les accessoires en insérant le nouvel accessoire le plus loin possible dans la douille de serrage, réduisant ainsi les risques d'éjection ou de déséquilibre. L'arbre étant bloqué, serrez à la main l'écrou de douille jusqu'à ce que la tige de l'accessoire soit retenue solidement par la douille (Fig. 3). **Évitez de serrer l'écrou de douille trop fort quand il n'y a pas d'embout.**



de douille sans avoir besoin d'utiliser une clé à douille standard. Dévissez le capuchon avant de l'outil **3**, alignez la pièce amovible en acier à l'intérieur du capuchon avec l'écrou de douille **1**. Après avoir engagé le mécanisme de blocage de l'arbre **6**, tournez le capuchon avant dans le sens des aiguilles d'une montre pour serrer ou dans le sens contraire des aiguilles d'une montre pour desserrer (Fig. 4).

### Capuchon avant à clé intégrée EZ TWIST™

Le capuchon avant de votre outil comporte une clé intégrée qui vous permet de serrer et de desserrer l'écrou

## Assemblage

### Douilles

Quatre tailles différentes de douilles (Fig. 5), adaptées à des tailles différentes de tiges, sont offertes pour votre outil rotatif. Pour le montage une autre douille, retirez l'écrou de la douille ainsi que la douille à remplacer. Insérez l'extrémité non fendue de la douille dans l'ouverture à l'extrémité de l'arbre de l'outil. Remplacez l'écrou sur l'arbre.

**⚠ MISE EN GARDE** Utilisez toujours la douille de même grosseur que la tige de l'accessoire que vous désirez utiliser. Ne forcez jamais une tige trop grosse pour la douille.

**Remarque :** La plupart des kits d'outils rotatifs n'incluent pas tous les quatre formats de douilles.

#### TABLEAU D'IDENTIFICATION DES DOUILLES DESERRAGE

Les tailles des douilles de serrage peuvent être identifiées par les anneaux à l'extrémité arrière de la douille.

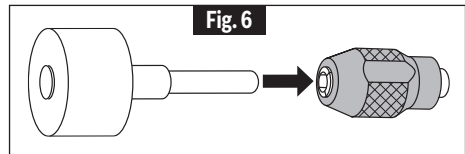
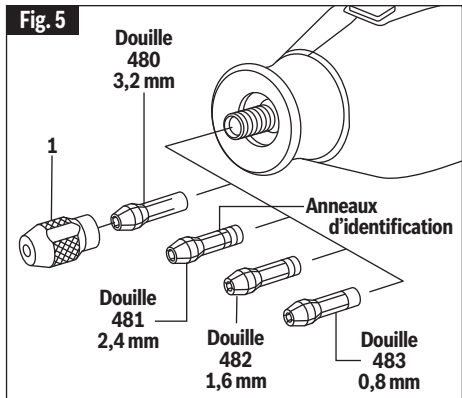
- La douille de 0,8 mm possède un (1) anneau.
- La douille de 1,6 mm possède deux (2) anneaux.
- La douille de 2,4 mm possède trois (3) anneaux.
- La douille de 3,2 mm ne possède aucun anneau. (Inclus dans la plupart des kits d'outils sur l'outil)

### Dégagement de douilles coincées

Il est possible qu'une douille se coince dans l'écrou, tout particulièrement si un écrou est serré sur l'outil sans que le foret ne soit en place. Dans un tel cas, la douille peut être dégagée de son écrou en poussant la tige d'un accessoire dans l'orifice de l'écrou de la douille. Ceci devrait causer l'éjection de la douille de son écrou.

### Équilibrage des accessoires

Pour le travail de précision, il est important que tous les accessoires soient bien équilibrés (tout comme les pneus de votre voiture). Pour rectifier ou équilibrer un accessoire, desserrez



légèrement l'écrou de la douille, et tournez l'accessoire ou la douille d'un quart de tour. Resserrez l'écrou de la douille et mettez l'outil rotatif en marche. Le son qui se fait entendre et le maniement de l'outil devraient vous indiquer si l'accessoire est bien équilibré. Continuez l'ajustement de cette façon jusqu'à ce que vous obteniez le meilleur équilibre. Pour maintenir l'équilibre des pointes de meule abrasive, avant chaque usage, alors que la pointe de meule est retenue fermement dans la douille, mettez l'outil rotatif en marche et tenez la pierre à rectifier 415 légèrement appuyée sur la pointe de la meule en rotation. Ceci a pour effet d'éliminer les points élevés tout en rectifiant la pointe de meule pour un meilleur équilibre.

Vous pouvez suspendre votre outil au crochet de suspension pour le ranger ou lors de la pose de l'arbre flexible. Si vous n'utilisez pas le crochet de suspension, remettez-le en place d'un coup sec de façon qu'il ne gêne pas l'utilisation de l'outil.



## Emploi prévu

Cet outil électrique a été conçu pour les applications de sculpture / gravure, détournage, meulage / affûtage, coupe, nettoyage / polissage, ponçage, enlèvement de coulis et perçage dans

les matériaux suivants : bois tendre, bois dur, stratifiés / plastiques, acier, aluminium / laiton / cuivre, coques / pierre, et matériaux en céramique et en verre.

## Consignes de fonctionnement

**⚠ AVERTISSEMENT** Débranchez le bloc-piles de l'outil avant d'effectuer tout assemblage ou réglage, ou de changer des accessoires. Ces mesures de sécurité préventives réduisent le risque d'une mise en marche accidentelle de l'outil.

**⚠ MISE EN GARDE** Chaque fois que vous prenez l'outil, veillez à ne pas couvrir les trous d'aération avec votre main, ce qui a pour effet d'empêcher l'air de circuler à l'intérieur et ainsi faire surchauffer le moteur.

### Interrupteur « marche / arrêt » coulissant

L'outil est mis en marche en faisant glisser l'interrupteur coulissant **7**, qui est situé sur le dessus du bâti du moteur, en position de marche.

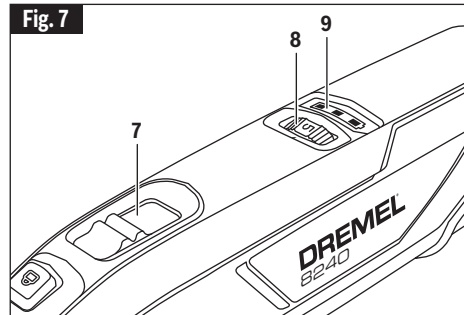
POUR METTRE L'OUTIL EN MARCHÉ, faites glisser le bouton de l'interrupteur vers l'avant.

POUR ÉTEINDRE L'OUTIL, faites glisser le bouton de l'interrupteur vers l'arrière.

### Cadran de commande de vitesse variable

Votre outil est pourvu d'un cadran de commande de vitesse variable **8**. La vitesse peut être ajustée en cours de fonctionnement en faisant tourner le cadran vers l'avant ou vers l'arrière entre n'importe lequel des réglages.

Chiffre de l'indicateur de vitesse	Plage de vitesse approximative, / min.
5	4,000-6,000
•10	9,000-11,000
15	14,000-17,000
20	17,000-22,000
25	22,000-26,000
30	27,000-31,000
35	31,000-35,000
* Réglage pour brosse métallique	



Vous pouvez vous référer aux tableaux de la page 49-52 pour déterminer la vitesse appropriée en fonction du matériau sur lequel vous travaillez et du type d'accessoire utilisé. Ces tableaux vous permettent de sélectionner d'un coup d'œil tant l'accessoire correct que la vitesse optimale.

Il ne suffit pas d'accroître la pression sur l'outil lorsqu'il ne coupe pas à votre satisfaction. Peut-être devriez-vous utiliser un accessoire différent, et peut-être qu'un ajustement de vitesse solutionnerait le problème. Faire pression sur l'outil n'est d'aucune aide.

#### Laissez la vitesse faire le travail !

Tous les accessoires pour outils rotatifs Dremel sont compatibles avec votre outil, mais il se peut que l'utilisation de certains accessoires réduise la durée de fonctionnement de la pile.

### Indicateur de charge de la pile

Cet outil est doté d'un indicateur de charge qui vous indique le niveau de charge de la pile. Quand les trois voyants DEL sont allumés, cela indique que la pile est chargée au maximum. Au

## Consignes de fonctionnement

fur et à mesure que la pile se décharge, les voyants s'éteignent un par un, jusqu'à ce qu'il n'en reste qu'un seul allumé. Quand ce dernier voyant commence à clignoter, cela veut dire que la pile est presque déchargée. Une fois que la pile est morte, l'outil s'arrête automatiquement. Il s'agit d'un arrêt soudain de l'outil, et non pas d'un ralentissement progressif. Il vous suffit de recharger la pile et de recommencer à utiliser l'outil.

---

3 voyants – 100 % de charge disponible

---

2 voyants – 50 % de charge disponible

---

1 voyant – 25 % de charge disponible

---

1 voyant clignote – l'outil ne va pas tarder à s'éteindre

---

3 voyants clignotants – la pile est trop chaude ou trop froide pour fonctionner. Éteignez l'outil et laissez la pile revenir à la température normale de fonctionnement avant de réutiliser l'outil.

---

### Chargement du bloc-piles

#### REMARQUES IMPORTANTES CONCERNANT LA CHARGE

1. De même, le chargeur n'est destiné qu'à la charge rapide des bloc-piles dont la température se situe entre 0°C (32°F) et 45°C (113°F). Si le bloc-piles est trop chaud ou trop froid, la charge rapide est alors impossible. (Chose possible si le bloc-piles devient trop chaud à l'usage intensif). Quand la température du bloc-piles retourne entre 0°C (32°F) et 45°C (113°F), le chargeur rassurera automatiquement sa fonction.
2. Une diminution marquée de la réserve énergétique entre les charges peut signaler l'épuisement du bloc-piles et le besoin d'un remplacement.
3. N'oubliez pas de débrancher le chargeur durant la période de remisage.
4. Si le bloc-piles ne se charge pas normalement :
  - a. Vérifiez la présence de courant à la prise en y branchant un autre appareil électrique.
  - b. Vérifiez si la prise n'est pas raccordée conjointement à un

interrupteur qui servirait à éteindre les lumières.

- c. Vérifiez la propreté des bornes du bloc-piles. Nettoyez-les au besoin avec un bâtonnet imbibé d'alcool.
- d. Si vous n'arrivez toujours pas à obtenir la charge satisfaisante, confiez l'outil, le bloc-piles et le chargeur à votre centre d'entretien Dremel habituel.

**Remarque :** L'utilisation de chargeurs ou de piles qui ne sont pas recommandés par Dremel sur la liste des piles/chargeurs annulera la garantie.

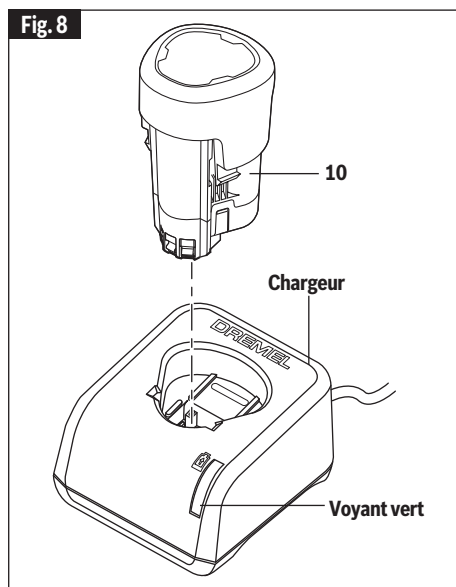
#### CHARGEUR DREMEL GAL12V-20

Branchez le cordon du chargeur dans votre prise de courant standard, insérez ensuite le bloc-pile **10** dans le chargeur (Fig 8).

Si le témoin lumineux vert est éteint, ceci signifie que le chargeur ne reçoit pas de courant de la prise de courant.

Le témoin vert du chargeur commencera à clignoter, ce qui indique que la pile reçoit une charge rapide. La charge rapide s'arrêtera automatiquement lorsque le bloc-pile est à pleine charge.

Lorsque le témoin lumineux cesse de clignoter (et devient vert en continu),



## Consignes de fonctionnement

ceci signifie que la charge rapide est terminée.

On peut utiliser le bloc-pile même si le témoin clignote encore. Il peut falloir plus de temps pour que le témoin cesse de clignoter, suivant la température.

La raison d'être du clignotement rapide vert du voyant lumineux est pour indiquer que le bloc-piles est en mode de charge rapide. Le témoin cessera de clignoter en moins de temps si le bloc-pile n'était pas entièrement déchargé.

Si le voyant vert s'allume, le chargeur est branché mais le bloc-piles n'est pas en place, ou le bloc-piles est pleinement chargé, ou le bloc-piles est trop chaud ou trop froid pour prendre la charge rapide. Le chargeur passera automatiquement à la charge rapide quand une température acceptable aura été atteinte.

Lorsque plusieurs piles sont chargées l'une après l'autre, le temps de charge peut augmenter légèrement.

Lorsque le bloc-pile est entièrement chargé, débranchez le chargeur (à moins que vous ne chargiez un autre bloc-pile) et insérez le bloc-pile dans l'outil.

FIG. A

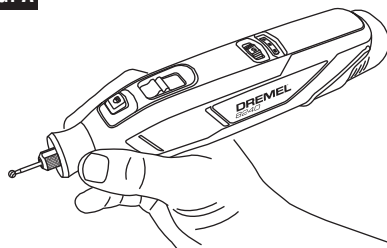
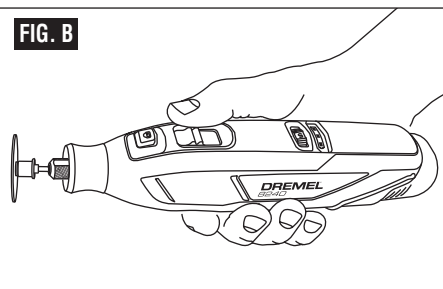


FIG. B



Abaissez plutôt l'accessoire en rotation, légèrement vers la pièce, en le laissant toucher l'endroit où vous voulez commencer la coupe (ou le ponçage ou la gravure, etc.). Ayez vos efforts sur le guidage de l'outil sur la pièce, en n'exerçant qu'une très faible pression de votre main. Laissez l'accessoire faire le travail.

Il est habituellement préférable de passer l'outil plusieurs fois plutôt que de tenter de faire tout le travail d'une seule fois. Ainsi, pour pratiquer une coupe, passez l'outil allant-venant sur la pièce, tout comme vous le feriez avec un petit pinceau. Coupez un peu de matériau à chaque passage jusqu'à ce que vous atteigniez la profondeur désirée. L'approche douce et adroite est celle qui convient le mieux à la plupart des tâches. Vous exercez ainsi un meilleur contrôle, êtes moins susceptible de commettre des erreurs, et obtenez le meilleur rendement de l'accessoire.

### Utilisation de l'outil rotatif

**▲ MISE EN GARDE** Chaque fois que vous prenez l'outil, veillez à ne pas couvrir les trous d'aération avec votre main, ce qui a pour effet d'empêcher l'air de circuler à l'intérieur et ainsi faire surchauffer le moteur.

Pour obtenir un meilleur contrôle dans le travail de précision, tenez l'outil rotatif comme un crayon, entre le pouce et l'index (Figure A.)

La méthode de maintien de l'outil dans la « paume de la main » s'utilise pour des opérations plus énergiques, comme le meulage de surfaces planes ou l'utilisation de disques de découpage (Figure B.)

Pratiquez d'abord sur des matériaux de rebut pour voir comment fonctionne l'action à haute vitesse de l'outil rotatif. N'oubliez pas que le travail est accompli par la vitesse de l'outil et par l'accessoire monté dans la douille. Vous ne devez pas appuyer sur l'outil ni pousser celui-ci pendant l'usage.

**Questions ou problèmes ?  
Composez le 1-800-437-3635 ou  
visitez notre site web à  
[www.Dremel.com](http://www.Dremel.com)**

## Entretien

**⚠ AVERTISSEMENT** Pour éviter les accidents, débranchez toujours l'outil et/ou le chargeur de sa source d'alimentation secteur avant toute opération de maintenance ou de nettoyage.

### Service

**⚠ AVERTISSEMENT** IL N'EXISTE À L'INTÉRIEUR AUCUNE PIÈCE SUSCEPTIBLE D'ÊTRE ENTRETENUE PAR L'UTILISATEUR. L'entretien préventif exécuté par des personnes non autorisés peut entraîner un positionnement erroné des composants et des fils internes, ce qui peut présenter de graves dangers.

Nous recommandons de confier toute intervention d'entretien sur l'outil à un centre de service-usine Dremel. TECHNICIENS : Débranchez l'outil et/ou le chargeur de la source de courant avant d'entretenir.

### Piles

**Faire attention aux blocs-piles qui approchent la fin de leur vie.** Si vous remarquez une diminution dans les performances de votre outil ou une durée de fonctionnement réduite de manière significative entre charges, il est temps de remplacer le bloc-piles. S'il n'est pas remplacé, il se peut qu'il endommage le chargeur ou que l'outil fonctionne incorrectement.

### Moteurs C.C.

Le moteur de votre outil a été conçu pour de nombreuses heures d'utilisation fiable. Pour maintenir l'efficacité maximale du moteur, nous recommandons de l'examiner tous les six mois. Seul un moteur de remplacement Dremel authentique, conçu spécialement pour votre outil, doit être utilisé.

### Nettoyage

**⚠ MISE EN GARDE** Certains agents de nettoyages et certains dissolvants abiment les pièces en plastique. Parmi ceux-ci se trouvent: l'essence, le tétrachlorure de carbone, les dissolvants de nettoyage chlorés, l'ammoniaque ainsi que les détergents domestiques qui en contiennent.

Les prises d'air et les leviers de commutation doivent être gardés propres et exempts de corps étrangers. Ne tentez pas de nettoyer en insérant des objets pointus à travers l'ouverture.

## Accessoires Dremel

**⚠ AVERTISSEMENT** Utiliser seulement des accessoires de la marque Dremel®. Aucun des autres accessoires n'a été conçu pour cet outil. Leur usage pourrait occasionner des blessures corporelles ou des dommages matériels.

**Ranger les accessoires dans un environnement sec et tempéré pour éviter les risques de corrosion et de détérioration.**

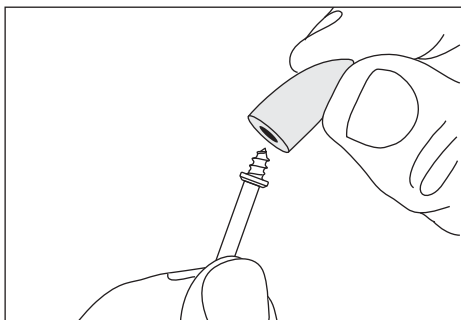
Le nombre et l'assortiment d'accessoires pour l'outil rotatif sont pratiquement illimités. Il existe une catégorie convenant à presque toutes les tâches que vous avez à accomplir – ainsi qu'un éventail de tailles et de formes à l'intérieur de chaque catégorie vous permettant ainsi d'obtenir l'accessoire parfait qui satisfait tous les besoins.

Les catégories d'accessoires sont les suivantes : sculpture / gravure, fraisage, meulage / affûtage, coupe, nettoyage / polissage, ponçage, enlèvement de coulis, perçage et pinces de serrage / divers.

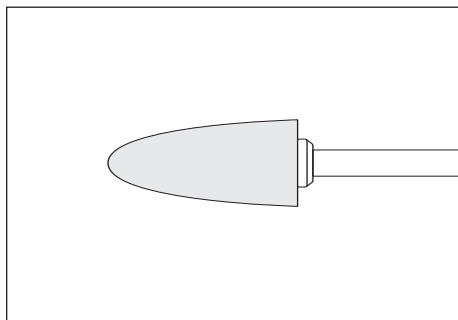
Pour un guide complet des accessoires rotatifs Dremel, veuillez vous rendre sur le site – [dremel.com/documents/20812/597949/bit-guide-poster.pdf](https://dremel.com/documents/20812/597949/bit-guide-poster.pdf)



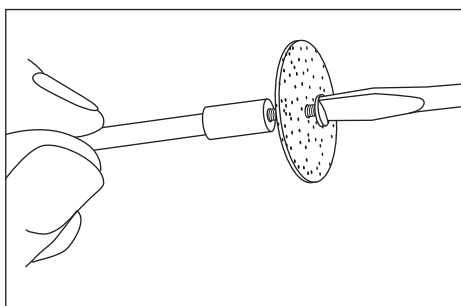
## Remplacement des accessoires du mandrin de la vis



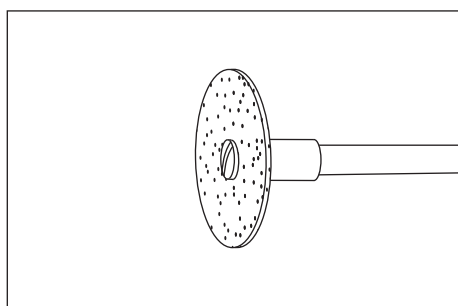
Le mandrin N° 401 s'emploie avec les meules et l'embout de polissage en feutre. Insérez l'embout sur la vis soigneusement. L'embout en feutre doit descendre



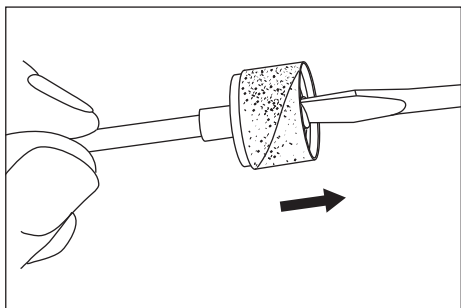
droit sur le mandrin de la vis, et il doit être tourné complètement jusqu'à la douille.



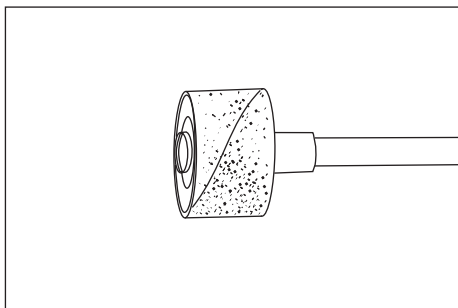
Le mandrin N° 402 possède une petite vis à son extrémité, et cette vis est utilisée avec les patins de ponçage et les meules de coupe à l'émeri. Les vitesses



élevées, habituellement les vitesses maximales, sont celles qui conviennent le mieux à la plupart des tâches, y compris la coupe de l'acier qui est illustrée ici.



Pour remplacer une bande sur la **ponceuse à tambour**, desserrez la vis sans la retirer pour contracter le tambour, puis faites glisser la vieille bande à l'extérieur. Faites glisser la nouvelle bande de ponçage sur la ponceuse, puis donnez de l'expansion au tambour en serrant à nouveau la vis.



**⚠ AVERTISSEMENT** Avant chaque usage, vérifiez pour vous assurer que tous les composants sont assemblés sur la tige de l'accessoire et que le tambour est suffisamment étendu pour fixer solidement la bande durant l'utilisation. Si la bande de ponçage est lâche sur le tambour durant le fonctionnement, elle peut être projetée et vous frapper ou frapper les personnes présentes.

## Mode d'emploi du mandrin EZ Lock™

Le mandrin EZ Lock™ N° EZ402 a un manchon à ressort et est utilisé avec les disques de tronçonnage, les feutres à polir et les chiffons à lustrer.

**⚠ AVERTISSEMENT** Assurez-vous toujours que l'outil rotatif est dans la position Arrêt (« OFF ») et débranchez la fiche de la prise de courant ou le bloc-piles de l'outil avant de changer des accessoires. Ces mesures de sécurité préventive réduisent le risque d'une mise en marche accidentelle de l'outil.

Assurez-vous toujours que l'accessoire est bien en place à l'intérieur du mandrin avant de commencer à l'utiliser. Un placement incorrect de l'accessoire dans le mandrin pourrait causer des blessures corporelles ou des dommages aux biens.

### Chargement de l'accessoire :

1. Placez le mandrin EZ Lock™ dans la douille aussi profondément que possible, et serrez l'écrou de fixation de la douille.

**Remarque :** Il existe une entretoise bleue qui reposera sur l'écrou de fixation de la douille et réglera le mandrin à la profondeur appropriée. En cas d'utilisation avec un mandrin Dremel, faites sortir légèrement le mandrin avant de serrer.

2. Tirez d'une main le manchon à ressort VERS LE BAS, en direction de l'outil, et maintenez-le dans cette position. Vous pouvez appuyer l'outil contre le corps ou contre l'établi pour augmenter la force de levier (Fig. 1).
3. De l'autre main, alignez l'élément en forme de nœud papillon sur la meule à tronçonner avec le mandrin et vérifiez que la pièce rapportée en métal est orientée dans le sens opposé à celui de l'outil (Fig. 2).
4. Placez la meule sur le mandrin à un point situé juste en dessous du nœud papillon sur le mandrin et faites-la tourner de 90 degrés jusqu'à ce que l'élément en forme de nœud papillon sur la meule soit aligné avec le manchon. Relâchez le manchon. La meule devrait se verrouiller en place (Fig. 3).
5. Lorsque vous montez des accessoires de ponçage et de polissage, alignez l'élément en forme de nœud papillon avec la pièce rapportée en métal sur le fond de l'accessoire (Fig. 4 et 5).

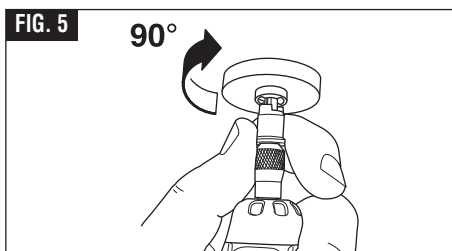
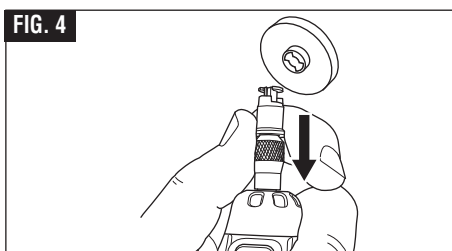
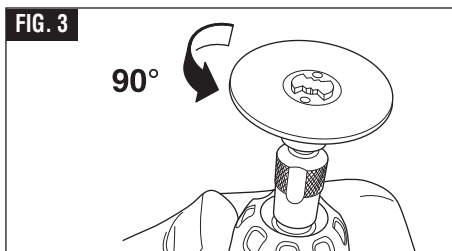
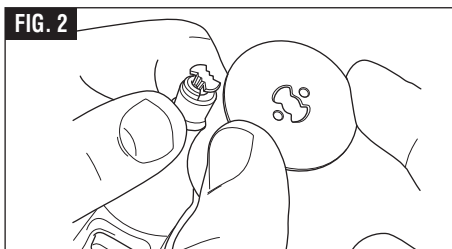
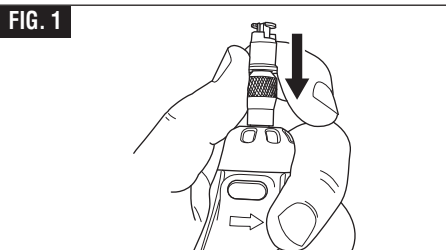
**Pour vous assurer que le positionnement est correct, saisissez le bouton de verrouillage de la douille et faites tourner l'accessoire. Ce dernier ne doit pas pouvoir tourner.**

### Déchargement de l'accessoire :

1. Tirez d'une main le manchon à ressort VERS LE BAS, en direction de l'outil (Fig. 1).
2. Maintenez le manchon dans cette position abaissée tout en faisant tourner l'accessoire de 90 degrés.
3. Retirez l'accessoire.

### Pendant l'emploi

Évitez tout risque d'endommagement du mandrin EZ Lock™ en faisant en sorte qu'il ne soit pas en contact avec l'ouvrage.



## Mode d'emploi du mandrin EZ Drum™

Le mandrin EZ Drum™ N° EZ407SA a un manchon à ressort et est utilisé avec des bandes de ponçage.

**⚠ AVERTISSEMENT** Assurez-vous toujours que l'outil rotatif est dans la position Arrêt (« OFF ») et débranchez la fiche de la prise de courant ou le bloc-piles de l'outil avant de changer des accessoires. Ces mesures de sécurité préventive réduisent le risque d'une mise en marche accidentelle de l'outil.

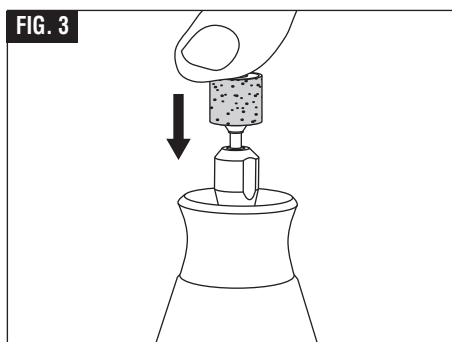
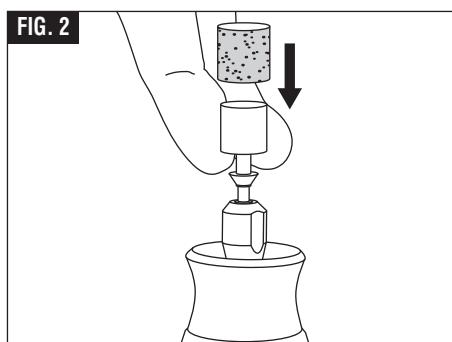
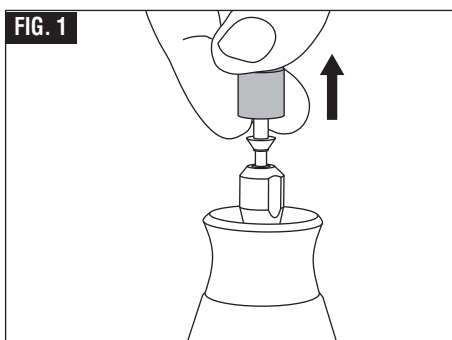
Assurez-vous toujours que l'accessoire est bien en place à l'intérieur du mandrin avant de commencer à l'utiliser. Un placement incorrect de l'accessoire dans le mandrin pourrait causer des blessures corporelles ou des dommages aux biens.

### Pour charger l'accessoire :

1. Comme indiqué, placez deux doigts sous le mandrin et tirez fermement vers le haut. Ceci placera l'EZ Drum™ dans la position « déverrouillée » (Fig. 1).
2. En gardant vos deux doigts sous le mandrin, faites glisser la bande de ponçage vers le bas jusqu'à ce que le mandrin bleu soit couvert entièrement (Fig. 2).
3. Pour revenir à la position « verrouillée », appuyez fermement sur la partie supérieure du mandrin (Fig. 3).

### Retrait de la bande de ponçage sur le mandrin :

1. Placez deux doigts sous le mandrin et tirez fermement vers le haut. Ceci placera l'EZ Drum™ dans la position « déverrouillée » (Fig. 1).
2. La bande de ponçage glissera maintenant facilement hors du mandrin (Fig. 2). Ne compressez pas la bande de ponçage quand vous la retirez du mandrin EZ Drum™, car la bande en caoutchouc pourrait tomber du mandrin et ne plus être utilisable.





## Réglages de vitesse

**Remarque : Dans les tableaux de vitesses, chaque nombre pour les réglages = milliers de tr/mn**

- \* Vitesse pour coupes légères, risque de brûlures sur rainures profondes.
- Selon le sens de coupe par rapport au grain du bois.

### Couteaux à coupe rapide

Numéro de catalogue	Bois tendre	Bois dur	Stratifiés /plastique	Acier	Aluminum, laiton, etc.	Coquille/ pierre	Céramique	Verre
100, 121, 131	25-35	25-35	12-17	12-17	18-24	-	-	-
114, 124, 134, 144	25-35	12-17	9-11	12-17	12-17	-	-	-
118, 190, 191, 192, 193, 194	25-35	25-35	9-11	12-17	25-35	-	-	-
116, 117, 125, 196	25-35	12-17	9-11	12-17	12-17	-	-	-
115	25-35	25-35	9-11	12-17	12-17	-	-	-
198, 199	25-35	18-24	9-11	12-17	12-17	-	-	-

### Couteaux à graver

Numéro de catalogue	Bois tendre	Bois dur	Stratifiés /plastique	Acier	Aluminum, laiton, etc.	Coquille/ pierre	Céramique	Verre
105, 108	25-35	25-35	18-24	9-11	12-17	-	-	-
106, 107, 109, 110	25-35	25-35	12-17	9-11	12-17	-	-	-
111	25-35*	25-35*	18-24*	9-11	12-17	-	-	-
112, 113	25-35*	25-35*	12-17*	9-11	12-17	-	-	-

### Pointes de meule en diamant

Numéro de catalogue	Bois tendre	Bois dur	Stratifiés /plastique	Acier	Aluminum, laiton, etc.	Coquille/ pierre	Céramique	Verre
7103, 7105, 7117, 7120, 7122, 7123, 7134, 7144	25-35	18-24	-	-	-	25-35	25-35	25-35

### Couteaux au carbure de tungstène à dent structurée

Numéro de catalogue	Bois tendre	Bois dur	Stratifiés /plastique	Acier	Aluminum, laiton, etc.	Coquille/ pierre	Céramique	Verre
9931, 9932, 9933, 9934, 9935, 9936	25-35	18-24	9-11	-	12-17	-	-	-

## Réglages de vitesse

**Remarque : Dans les tableaux de vitesses, chaque nombre pour les réglages = milliers de tr/mn**

- \* Vitesse pour coupes légères, risque de brûlures sur rainures profondes.
- Selon le sens de coupe par rapport au grain du bois.

Couteaux au carbure de tungstène								
Numéro de catalogue	Bois tendre	Bois dur	Stratifiés /plastique	Acier	Aluminium, laiton, etc.	Coquille/pierre	Céramique	Verre
9901, 9902, 9903, 9904, 9905, 9906, 9912	25-35	18-24	9-11	25-35	12-17	18-24	18-35	18-35
9909, 9910, 9911	-	-	-	-	-	18-24	18-35	18-35

Embouts (fers) de toupie à haute vitesse								
Numéro de catalogue	Bois tendre	Bois dur	Stratifiés /plastique	Acier	Aluminium, laiton, etc.	Coquille/pierre	Céramique	Verre
612, 615, 617, 618, 640, 650, 652, 654	25-35*	18-24•	-	-	-	-	-	-

Meules au carbure de silicium (bleu/vert)								
Numéro de catalogue	Bois tendre	Bois dur	Stratifiés /plastique	Acier	Aluminium, laiton, etc.	Coquille/pierre	Céramique	Verre
83142, 83322, 83702, 84922, 85422, 85602, 85622	-	-	12-17	25-35	9-11	12-17	25-35	25-35

Meules/pointes abrasives								
Numéro de catalogue	Bois tendre	Bois dur	Stratifiés /plastique	Acier	Aluminium, laiton, etc.	Coquille/pierre	Céramique	Verre
516	9-17	9-17	-	18-24	12-17	-	-	-
500	9-17	9-17	-	12-24	9-17	-	-	-
EZ541GR	-	-	-	12-24	9-17	-	-	-

Meules à l'oxyde d'aluminium (orange/brun)								
Numéro de catalogue	Bois tendre	Bois dur	Stratifiés /plastique	Acier	Aluminium, laiton, etc.	Coquille/pierre	Céramique	Verre
541, 903, 911, 921, 932, 941, 945, 952, 953, 954, 971, 997, 8153, 8175, 8193, 8215	25-35	25-35	-	18-24	9-11	12-17	25-35	-

## Réglages de vitesse

**Remarque : Dans les tableaux de vitesses, chaque nombre pour les réglages = milliers de tr/mn**

- \* Vitesse pour coupes légères, risque de brûlures sur rainures profondes.
- Selon le sens de coupe par rapport au grain du bois.

### Pierres à affûter pour tronçonneuse à chaîne

Numéro de catalogue	Bois tendre	Bois dur	Stratifiés /plastique	Acier	Aluminum, laiton, etc.	Coquille/pierre	Céramique	Verre
453, 454, 455	-	-	-	25-35	-	-	-	-

### Accessoires de coupe

Numéro de catalogue	Bois tendre	Bois dur	Stratifiés /plastique	Acier	Aluminum, laiton, etc.	Coquille/pierre	Céramique	Verre
409, 420, 426, 540, EZ409	-	-	5-11	25-35	25-35	25-35	25-35	-
543, EZ544	25-35	18-35	5-11	-	-	-	-	-
545, EZ545	18-35	18-24	-	-	-	12-24	12-24	-
560	À utiliser sur du duploplâtre. pour un résultat optimal, utiliser à 30 000 tr/min.							
561	12-35	12-35	5-11	-	25-35	-	-	-
562	-	-	-	-	-	-	25-35	-
EZ456	-	-	-	25-35	25-35	-	-	-
EZ476	-	-	5-11	-	-	-	-	-

### Accessoires de polissage

Numéro de catalogue	Bois tendre	Bois dur	Stratifiés /plastique	Acier	Aluminum, laiton, etc.	Coquille/pierre	Céramique	Verre
461, 462, 463	-	-	-	18-24	18-24	18-24	18-24	18-24
414, 422, 429	-	-	-	12-17	12-17	12-17	12-17	12-17
425, 427	-	-	-	18-24	18-24	-	-	-
423E	-	-	-	12-24	12-24	12-24	12-24	12-24

### Brosses métalliques

Numéro de catalogue	Bois tendre	Bois dur	Stratifiés /plastique	Acier	Aluminum, laiton, etc.	Coquille/pierre	Céramique	Verre
403, 404, 405	9-11	9-11	5-11	12-17	12-17	-	-	-
428, 442, 443	9-11	9-11	5-8	9-11	9-11	-	-	-
530, 531, 532	-	9-11	-	9-11	-	-	-	-
535, 536, 537	9-11	9-11	-	9-11	9-11	9-11	-	-

### Bandes et disques à poncer

Numéro de catalogue	Bois tendre	Bois dur	Stratifiés /plastique	Acier	Aluminum, laiton, etc.	Coquille/pierre	Céramique	Verre
407, 408, 430, 431, 432, 438, 439, 440, 444	5-35	5-35	5-17	25-35	25-35	5-35	5-35	-
411, 412, 413	12-17	12-17	5-8	-	5-8	-	-	-

## Réglages de vitesse

**Remarque : Dans les tableaux de vitesses, chaque nombre pour les réglages = milliers de tr/mn**

- \* Vitesse pour coupes légères, risque de brûlures sur rainures profondes.
- Selon le sens de coupe par rapport au grain du bois.

### Meules à lamelles

Numéro de catalogue	Bois tendre	Bois dur	Stratifiés /plastique	Acier	Aluminum, laiton, etc.	Coquille/pierre	Céramique	Verre
502, 503, 504, 505	25-35	18-24	5-8	25-35	18-35	-	-	-

### Tampons abrasifs de finition

Numéro de catalogue	Bois tendre	Bois dur	Stratifiés /plastique	Acier	Aluminum, laiton, etc.	Coquille/pierre	Céramique	Verre
511E, 512E	12-17	12-17	9-11	12-17	12-17	-	-	-

### Brosses abrasifs de détail

Numéro de catalogue	Bois tendre	Bois dur	Stratifiés /plastique	Acier	Aluminum, laiton, etc.	Coquille/pierre	Céramique	Verre
EZ471SA, EZ472SA, EZ473SA	5-17	5-17	5-11	5-17	5-17	-	-	-

### Embout (foret)

Numéro de catalogue	Bois tendre	Bois dur	Stratifiés /plastique	Acier	Aluminum, laiton, etc.	Coquille/pierre	Céramique	Verre
150	25-35	18-35	5-11	-	12-17	-	-	-

### Embouts (forets) pour verre

Numéro de catalogue	Bois tendre	Bois dur	Stratifiés /plastique	Acier	Aluminum, laiton, etc.	Coquille/pierre	Céramique	Verre
662DR, 663DR	-	-	-	-	-	5-17	5-17	5-17

### Embouts (forets) pour extraction de coulis

Numéro de catalogue	Bois tendre	Bois dur	Stratifiés /plastique	Acier	Aluminum, laiton, etc.	Coquille/pierre	Céramique	Verre
569, 570	À utiliser sur coulis pour murs et plancher					-	12-24	-

## Garantie limitée de Dremel®

Votre produit Dremel est garanti contre les vices de matériau ou de façon pendant un délai de deux ans à compter de la date d'achat. Dans l'hypothèse où le produit ne se conformerait pas à cette garantie écrite, veuillez procéder de la façon suivante :

1. NE RAPPORTEZ PAS votre produit à l'endroit où vous l'avez acheté.
2. Emballez avec soin le produit seul, sans aucun autre article, et renvoyez-le, en port payé, accompagné :
  - A. d'une copie de votre justificatif d'achat daté (veuillez en garder une copie pour vous-même)
  - B. d'une déclaration écrite concernant la nature du problème
  - C. d'une indication de vos nom, adresse et numéro de téléphone, à l'adresse suivante :

### ÉTATS-UNIS

Robert Bosch Tool Corporation  
Dremel Repairs 173 Lawrence 428 Dock #2 **OU**  
Walnut Ridge, AR 72476

### CANADA

Giles Tool Agency  
47 Granger Av.  
Scarborough, Ontario Canada  
M1K 3K9 1-416-287-3000

### À L'EXTÉRIEUR DU TERRITOIRE CONTINENTAL DES ÉTATS-UNIS

Consultez votre distributeur local ou écrivez à Dremel : Dremel Repairs 173 Lawrence 428 Dock #2  
Walnut Ridge, AR 72476

Nous vous recommandons d'assurer le paquet contre la perte ou les dommages en cours de route dont nous ne pouvons assumer la responsabilité.

Cette garantie n'est offerte qu'à l'acheteur enregistré d'origine. LES DOMMAGES AU PRODUIT RÉSULTANT DE MANIPULATIONS ABUSIVES, D'ACCIDENTS, D'USAGES ABUSIFS, DE NÉGLIGENCE, DE RÉPARATIONS OU D'ALTÉRATIONS NON AUTORISÉES, D'UTILISATION D'ACCESSOIRES NON APPROUVÉS OU D'AUTRES CAUSES NON LIÉES AU MATÉRIAU OU À LA FAÇON NE SONT PAS COUVERTS PAR CETTE GARANTIE.

Aucun employé, mandataire, vendeur ou autre n'est autorisé à accorder des garanties au nom de Dremel. Si l'inspection effectuée par Dremel révèle que le problème a été causé par un problème de matériau ou de façon dans les limites de la garantie, Dremel réparera ou remplacera le produit gratuitement et renverra le produit en port payé. Si elles peuvent être effectuées, les réparations rendues nécessaires par l'usure normale ou un usage abusif, ou les réparations du produit une fois la période de garantie expirée, seront facturées aux tarifs réguliers de l'usine.

DREMEL N'ACCORDE AUCUNE AUTRE GARANTIE DE QUELQUE NATURE QUE CE SOIT, EXPLICITE OU IMPLICITE, ET TOUTES LES GARANTIES IMPLICITES DE COMMERCIALISATION ET D'APTITUDE À UN USAGE PARTICULIER EN PLUS DE L'OBLIGATION SUSVISÉE SONT REJETÉES PAR LES PRÉSENTES PAR DREMEL ET EXCLUES DE CETTE GARANTIE LIMITÉE.

Cette garantie vous accorde certains droits précis, et vous pouvez également avoir d'autres droits qui varient d'un endroit à un autre. L'obligation du garant se limite à réparer ou remplacer le produit. Le garant n'est responsable d'aucun dommage accessoire ou indirect attribuable à de telles défaillances alléguées. Certaines juridictions ne permettent pas l'exclusion ou la limitation des dommages accessoires ou indirects ; il se peut donc que les limitations ou l'exclusion qui précède ne s'appliquent pas à vous.





En ce qui concerne les prix et la façon de vous prévaloir de la garantie sur le territoire continental des États-Unis, mettez-vous en contact avec votre distributeur Dremel local.

Exportado por: © Robert Bosch Tool Corporation Mt. Prospect, IL 60056 -2230, E.U.A.

Importado a México por: Robert Bosch, S. de R.L. de C.V.  
Calle Robert Bosch No. 405 - 50071 Toluca, Edo. de Méx. - México  
Tel. 052 (722) 279 2300 ext 1160 / Fax. 052 (722) 216-6656

## Símbolos de seguridad

Las definiciones que aparecen a continuación describen el nivel de gravedad de cada palabra de señal de seguridad. Por favor, lea el manual y preste atención a estos símbolos.

	Éste es el símbolo de alerta de seguridad. Se utiliza para alertarle a usted de posibles peligros de lesiones corporales. Obedezca todos los mensajes de seguridad que sigan a este símbolo para evitar posibles lesiones o muerte.
	PELIGRO indica una situación peligrosa que, si no se evita, causará la muerte o lesiones graves.
	ADVERTENCIA indica una situación peligrosa que, si no se evita, podría causar la muerte o lesiones graves.
	PRECAUCIÓN indica una situación peligrosa que, si no se evita, podría causar lesiones leves o moderadas.

## Advertencias generales de seguridad para herramientas mecánicas

**ADVERTENCIA** Lea todas las advertencias de seguridad y todas las instrucciones. Si no se siguen las advertencias e instrucciones, el resultado podría ser sacudidas eléctricas, incendio y/o lesiones graves.

### GUARDE TODAS LAS ADVERTENCIAS E INSTRUCCIONES PARA REFERENCIA FUTURA

La expresión “herramienta mecánica” en las advertencias se refiere a su herramienta mecánica alimentada por la red eléctrica (herramienta alámbrica) o su herramienta mecánica alimentada por baterías (herramienta inalámbrica).

### 1. Seguridad del área de trabajo

- a. **Mantenga el área de trabajo limpia y bien iluminada.** Las áreas desordenadas u oscuras invitan a que se produzcan accidentes.
- b. **No utilice herramientas mecánicas en atmósferas explosivas, como por ejemplo en presencia de líquidos, gases o polvos inflamables.** Las herramientas mecánicas generan chispas que pueden incendiar el polvo o los vapores.
- c. **Mantenga alejados a los niños y a las personas que estén presentes mientras esté utilizando una herramienta mecánica.** Las distracciones pueden hacerle perder el control de la herramienta.
- d. **Evite el contacto del cuerpo con las superficies conectadas o puestas a tierra, tales como tuberías, radiadores, estufas y refrigeradores.** Hay un aumento del riesgo de sacudidas eléctricas si el cuerpo del operador se conecta o pone a tierra.
- e. **No exponga las herramientas mecánicas a la lluvia o a condiciones mojadas.** La entrada de agua en una herramienta mecánica aumentará el riesgo de que se produzcan sacudidas eléctricas.
- f. **No maltrate el cordón de energía. No use nunca el cordón para transportar la herramienta mecánica, tirar de ella o desencharla. Mantenga el cordón alejado del calor, el aceite, los bordes afilados o las piezas móviles.** Los cordones dañados o enganchados aumentan el riesgo de que se produzcan sacudidas eléctricas.

### 2. Seguridad eléctrica

- a. **Los enchufes de las herramientas mecánicas deben coincidir con el tomacorriente. No modifique nunca el enchufe de ningún modo. No use enchufes adaptadores con herramientas mecánicas conectadas a tierra (puestas a tierra).** Los enchufes no modificados y los tomacorrientes coincidentes reducirán el riesgo de sacudidas eléctricas.
- e. **Cuando utilice una herramienta mecánica en el exterior, use un cordón de extensión adecuado para uso a la intemperie.** La utilización de un cordón

## Advertencias generales de seguridad para herramientas mecánicas

adecuado para uso a la intemperie reduce el riesgo de que se produzcan sacudidas eléctricas.

- f. **Si es inevitable utilizar una herramienta mecánica en un lugar húmedo, utilice una fuente de energía protegida por un interruptor de circuito accionado por corriente de pérdida a tierra (GFCI).** El uso de un GFCI reduce el riesgo de sacudidas eléctricas.

### 3. Seguridad personal

- a. **Manténgase alerta, fíjese en lo que está haciendo y use el sentido común cuando esté utilizando una herramienta mecánica. No use una herramienta mecánica cuando esté cansado o bajo la influencia de drogas, alcohol o medicamentos.** Un momento de distracción mientras esté utilizando herramientas mecánicas podría causar lesiones corporales graves.
- b. **Use equipo de protección personal. Use siempre protección de los ojos.** El equipo de protección, como por ejemplo una máscara antipolvo, calzado de seguridad antideslizante, casco o protección de oídos, utilizado para las condiciones apropiadas, reducirá las lesiones corporales.
- c. **Evite el arranque accidental. Asegúrese de que el interruptor esté en la posición de apagado antes de conectar la herramienta a la fuente de energía y / o al paquete de batería, levantar la herramienta o transportarla.** Transportar herramientas mecánicas con un dedo en el interruptor o encender herramientas mecánicas que tengan el interruptor en la posición de encendido invita a que se produzcan accidentes.
- d. **Quite todas las llaves de ajuste o de tuerca antes de encender la herramienta mecánica.** Una llave de tuerca o de ajuste que se deje colocada en una pieza giratoria de la herramienta mecánica podría causar lesiones corporales.
- e. **No intente alcanzar demasiado lejos. Mantenga un apoyo de los pies y un equilibrio apropiados en todo momento.** Esto permite controlar mejor la herramienta mecánica en situaciones inesperadas.
- f. **Vístase adecuadamente. No use ropa holgada ni alhajas holgadas. Mantenga el pelo, la ropa y los guantes alejados de**

**las piezas móviles.** La ropa holgada, las alhajas holgadas o el pelo largo pueden quedar atrapados en las piezas móviles.

- g. **Si se proporcionan dispositivos para la conexión de instalaciones de extracción y recolección de polvo, asegúrese de que dichas instalaciones estén conectadas y se usen correctamente.** El uso de dispositivos de recolección de polvo puede reducir los peligros relacionados con el polvo.

### 4. Uso y cuidado de las herramientas mecánicas

- a. **No fuerce la herramienta mecánica. Use la herramienta mecánica correcta para la aplicación que desee realizar.** La herramienta mecánica correcta hará el trabajo mejor y con más seguridad a la capacidad nominal para la que fue diseñada.
- b. **No use la herramienta mecánica si el interruptor no la enciende y apaga.** Toda herramienta mecánica que no se pueda controlar con el interruptor es peligrosa y debe ser reparada.
- c. **Desconecte el enchufe de la fuente de energía y/o el paquete de batería de la herramienta mecánica antes de hacer cualquier ajuste, cambiar accesorios o almacenar herramientas mecánicas.** Dichas medidas preventivas de seguridad reducen el riesgo de arrancar accidentalmente la herramienta mecánica.
- d. **Guarde las herramientas que no esté usando fuera del alcance de los niños y no deje que personas que no estén familiarizadas con la herramienta mecánica o con estas instrucciones utilicen la herramienta.** Las herramientas mecánicas son peligrosas en manos de usuarios que no hayan recibido capacitación.
- e. **Mantenga las herramientas mecánicas. Compruebe si hay piezas móviles desalineadas o que se atorán, si hay piezas rotas y si existe cualquier otra situación que podría afectar el funcionamiento de la herramienta mecánica. Si la herramienta mecánica está dañada, haga que la reparen antes de usarla.** Muchos accidentes son causados por herramientas mecánicas mantenidas deficientemente.
- f. **Mantenga las herramientas de corte**

## Advertencias generales de seguridad para herramientas mecánicas

- afiladas y limpias.** Es menos probable que las herramientas de corte mantenidas apropiadamente, con bordes de corte afilados, se atoren, y dichas herramientas son más fáciles de controlar.
- g. Utilice la herramienta mecánica, los accesorios, las brocas de la herramienta, etc., de acuerdo con estas instrucciones, teniendo en cuenta las condiciones de trabajo y el trabajo que se vaya a realizar.** El uso de la herramienta mecánica para operaciones distintas a aquéllas para las que fue diseñada podría causar una situación peligrosa.
- c. Cuando el paquete de batería no se esté usando, manténgalo alejado de otros objetos metálicos, tales como sujetapapeles, monedas, llaves, clavos, tornillos u otros objetos metálicos pequeños que pueden hacer una conexión de un terminal a otro.** Si se cortocircuitan los terminales de la batería uno con otro, se pueden causar quemaduras o un incendio.
- d. En condiciones abusivas, es posible que se eyecte líquido de la batería. Evite el contacto. Si se produce un contacto accidental, enjuáguese con agua. Si el líquido entra en contacto con los ojos, obtenga además ayuda médica.** El líquido que salga eyectado de la batería puede causar irritación o quemaduras.

### 5. Uso y cuidado de las herramientas alimentadas por baterías

- a. Recargue las baterías solamente con el cargador especificado por el fabricante.** Un cargador que es adecuado para un tipo de paquete de batería puede crear un riesgo de incendio cuando se utiliza con otro paquete de batería.
- b. Utilice las herramientas mecánicas solamente con paquetes de batería designados específicamente.** El uso de cualquier otro paquete de batería puede crear un riesgo de lesiones e incendio.

### 6. Servicio de ajustes y reparaciones

- a. Haga que su herramienta mecánica reciba servicio de un técnico de reparaciones calificado, utilizando únicamente piezas de repuesto idénticas.** Esto asegurará que se mantenga la seguridad de la herramienta mecánica.

## Normas de seguridad para herramientas giratorias

### Advertencias de seguridad comunes para las operaciones de amolado, lijado, cepillado con cepillo de alambre, pulido, tallado o tronzado con ruedas abrasivas:

- a. Esta herramienta eléctrica está diseñada para funcionar como amoladora, lijadora, cepillo de alambre, pulidora, talladora o herramienta tronzadora. Lea todas las advertencias de seguridad, instrucciones, ilustraciones y especificaciones suministradas con esta herramienta eléctrica.** Si no se siguen todas las instrucciones que se indican a continuación, el resultado podría ser descargas eléctricas, incendio y/o lesiones graves.
- b. No utilice accesorios que no estén diseñados y recomendados específicamente por el fabricante de la herramienta.** Sólo porque el accesorio se pueda acoplar a su herramienta eléctrica, eso no garantiza un funcionamiento seguro.
- c. La velocidad nominal de los accesorios debe ser por lo menos igual al ajuste de velocidad de funcionamiento marcado en la herramienta eléctrica.** Los accesorios que funcionen más rápidamente que su velocidad nominal se pueden romper y ser lanzados al aire.
- d. El diámetro exterior y el grosor de su accesorio deben estar dentro de los límites de la capacidad nominal de su herramienta eléctrica.** Los accesorios de tamaño incorrecto no se pueden controlar adecuadamente.
- e. El tamaño del eje portaherramienta de las ruedas, los tambores de lijar o cualquier otro accesorio debe encajar apropiadamente en el husillo o el portaherramienta de la herramienta eléctrica.** Los accesorios que no coincidan con los herrajes de montaje de la herramienta



## Normas de seguridad para herramientas giratorias

- eléctrica funcionarán desequilibrados, vibrarán excesivamente y podrán causar pérdida de control.
- f. **Las ruedas montadas en mandrín, los tambores de lijar, los cortadores u otros accesorios se deben insertar completamente en el portaherramienta o el mandrín.** Si el mandrín no está suficientemente sujeto y/o el saliente de la rueda es demasiado largo, la rueda montada se podría aflojar y ser eyectada a alta velocidad.
  - g. **No utilice un accesorio que esté dañado. Antes de cada uso, inspeccione el accesorio, como por ejemplo las ruedas abrasivas para comprobar si tienen picaduras y grietas, el tambor de lijar para revisar si tiene grietas, desgarraduras o desgaste excesivo, y el cepillo de alambre para comprobar si hay alambres flojos o agrietados. Si la herramienta eléctrica o el accesorio se cae, realice una inspección para comprobar si se ha dañado o instale un accesorio que no esté dañado. Después de inspeccionar e instalar un accesorio, posicione usted y posicione a las personas que estén presentes alejados del plano del accesorio que rota y haga funcionar la herramienta eléctrica a la máxima velocidad sin carga durante un minuto.** Normalmente, los accesorios dañados se romperán en pedazos durante este tiempo de prueba.
  - h. **Use equipo de protección personal. Dependiendo de la aplicación, use una careta, anteojos de seguridad o gafas de seguridad. Según sea apropiado, use una máscara antipolvo, protectores de la audición, guantes y un delantal de taller capaz de detener pequeños fragmentos de abrasivo o de la pieza de trabajo. La protección de los ojos debe ser capaz de detener los residuos que salgan despedidos al ser generados por diversas operaciones.** La máscara antipolvo o el respirador debe ser capaz de impedir mediante filtración el paso de las partículas generadas por la operación que usted vaya a realizar. La exposición prolongada a ruido de alta intensidad podría causar pérdida de audición.
  - i. **Mantenga a las personas que estén presentes a una distancia segura del área de trabajo. Toda persona que entre al área de trabajo debe usar equipo de protección personal.** Los fragmentos de la pieza de trabajo o de un accesorio roto pueden salir despedidos y causar lesiones más allá del área de operación inmediata.
  - j. **Agarre la herramienta eléctrica solamente por las superficies de agarre con aislamiento cuando realice una operación en la que el accesorio de corte pueda entrar en contacto con cables ocultos.** Si el accesorio de corte entra en contacto con un cable con corriente, eso puede hacer que las partes metálicas de la herramienta eléctrica que están al descubierto lleven corriente y podrían causar una descarga eléctrica al operador.
  - k. **Sostenga siempre firmemente la herramienta en la(s) mano(s) durante el arranque.** La fuerza de torsión de reacción del motor, a medida que acelera hasta la máxima velocidad, puede hacer que la herramienta se tuerza.
  - l. **Use abrazaderas para soportar la pieza de trabajo siempre que sea práctico. No sostenga nunca una pieza de trabajo pequeña en una mano y la herramienta en la otra mano mientras esté en uso.** Si sujeta con una abrazadera una pieza de trabajo pequeña, podrá usar la(s) mano(s) para controlar la herramienta. El material redondo, como las varillas de unión, las tuberías o los tubos, tiene tendencia a rodar mientras está siendo cortado y puede hacer que la broca se atore o salte hacia usted.
  - m. **Posicione el cable de alimentación lejos del accesorio que gira.** Si usted pierde el control, es posible que el cable de alimentación resulte cortado o enganchado y puede que la mano o el brazo sean jalados hasta el accesorio que gira.
  - n. **No deje nunca la herramienta eléctrica en ningún lugar hasta que el accesorio se haya detenido por completo.** El accesorio que gira se puede enganchar en la superficie y jalar la herramienta eléctrica hasta hacer que usted pierda el control de la misma.
  - o. **Después de cambiar las brocas o hacer cualquier ajuste, asegúrese de que la tuerca del portaherramienta, el mandrín o cualquier otro dispositivo de ajuste estén firmemente apretados.** Los dispositivos de ajuste flojos pueden cambiar de posición inesperadamente, causando pérdida de control, y los componente que roten estando flojos serán arrojados violentamente.

## Normas de seguridad para herramientas giratorias

**p. No tenga la herramienta eléctrica en marcha mientras la lleva junto a usted.**

Un contacto accidental con el accesorio que gira podría engancharle la ropa y jalar el accesorio hasta su cuerpo.

**q. Limpie regularmente las aberturas de ventilación de la herramienta eléctrica.**

El ventilador del motor absorberá el polvo en el interior de la carcasa y la acumulación excesiva de metal en polvo podría causar peligros eléctricos.

**r. No utilice la herramienta eléctrica cerca de materiales inflamables.** Las chispas podrían incendiar estos materiales.

**s. No utilice accesorios que requieran refrigerantes líquidos.** El uso de agua u otros refrigerantes líquidos podría causar electrocución o descargas eléctricas.

**t. Utilice la herramienta únicamente en un área bien ventilada.** Al trabajar en un entorno seguro se reduce el riesgo de lesiones.

**u. Deje suficiente espacio, por lo menos 6 pulgadas, entre la mano y la broca que gira. No ponga la mano en el área de la broca que gira.** Puede que la proximidad de la mano a la broca que gira no siempre sea obvia.

**v. No toque la broca ni el portaherramienta después de usar la herramienta.** Después del uso, la broca y el portaherramienta están demasiado calientes para tocarlos con las manos desnudadas.

**w. No altere ni utilice incorrectamente la herramienta.** Cualquier alteración o modificación es un uso incorrecto y es posible que cause lesiones corporales graves.

**x. Este producto no está diseñado para utilizarse como taladro dental, en aplicaciones médicas en humanos o en veterinaria.** El resultado podrá ser lesiones graves.

sea forzada en sentido opuesto al de rotación del accesorio.

Por ejemplo, si una rueda abrasiva es enganchada o pellizcada por la pieza de trabajo, el borde de la rueda que esté entrando en el punto de pellizcamiento puede penetrar en la superficie del material y hacer que la rueda se salga del corte o experimente retroceso. La rueda puede saltar hacia el operador o alejándose de éste, dependiendo del sentido del movimiento de dicha rueda en el punto de pellizcamiento. Las ruedas abrasivas también se pueden romper en estas condiciones.

El retroceso es el resultado de la utilización indebida de la herramienta eléctrica y/o de procedimientos o condiciones de operación incorrectos, y se puede evitar tomando las precauciones apropiadas tal y como se indica a continuación.

**a. Mantenga un agarre firme de la herramienta eléctrica y posicione el cuerpo y el brazo de manera que le permitan resistir las fuerzas de retroceso.** El operador puede controlar las fuerzas de retroceso, si se toman las precauciones adecuadas.

**b. Tenga cuidado especial cuando trabaje en esquinas, bordes afilados, etc. Evite hacer rebotar y enganchar el accesorio.** Las esquinas, los bordes afilados o los rebotes tienen tendencia enganchar el accesorio que rota y causar pérdida de control o retroceso.

**c. No instale una hoja de sierra dentada.** Dichas hojas crean retroceso y pérdida de control frecuentes.

**d. Haga avanzar siempre la broca hacia el interior del material en el mismo sentido en el que el borde de corte esté saliendo del material (que es el mismo sentido en que las virutas son arrojadas).** Si se hace avanzar la herramienta en sentido incorrecto, el resultado será que el borde de corte de la broca se saldrá de la pieza de trabajo y jalará la herramienta en el sentido de este avance.

**e. Cuando utilice limas rotativas, ruedas tronzadoras, cortadores de alta velocidad o cortadores de carburo de tungsteno, tenga siempre la pieza de trabajo sujeta firmemente con una abrazadera.** Estas ruedas se engancharán si se inclinan ligeramente en la ranura y pueden experimentar retroceso. Cuando una rueda tronzadora se engancha,

### Retroceso y advertencias relacionadas

El retroceso es una reacción repentina a una rueda, una almohadilla de refuerzo, un cepillo o cualquier otro accesorio que esté rotando y que resulte pellizcado o enganchado. El pellizcamiento o el enganche causan una parada rápida del accesorio que rota, lo cual a su vez hace que la herramienta eléctrica descontrolada

## Normas de seguridad para herramientas giratorias

generalmente la propia rueda se rompe. Cuando una lima rotativa, un cortador de alta velocidad o un cortador de carburo de tungsteno se engancha, puede saltar de la ranura y usted podría perder el control de la herramienta.

### Advertencias de seguridad específicas para las operaciones de amolado y tronzado con ruedas abrasivas:

- a. **Utilice únicamente los tipos de rueda que estén recomendados para su herramienta eléctrica y sólo para las aplicaciones recomendadas. Por ejemplo: no amole con el lado de una rueda tronzadora.** Las ruedas tronzadoras abrasivas están diseñadas para realizar amolado periférico; la aplicación de fuerzas laterales a estas ruedas puede hacer que se rompan en pedazos.
- b. **Para conos y tapones abrasivos roscados, utilice únicamente mandrines de rueda no dañados, con una pestaña de resalto sin relieve, que tengan el tamaño y la longitud correctos.** Los mandrines apropiados reducirán la posibilidad de rotura.
- c. **No “atore” una rueda tronzadora ni aplique una presión excesiva. No intente hacer un corte de profundidad excesiva.** Si la rueda se somete a un esfuerzo excesivo, se aumentan la carga y la susceptibilidad a que la rueda se tuerza o se enganche en el corte, así como la posibilidad de retroceso o rotura de la rueda.
- d. **No posicione la mano en línea con la rueda que rota ni detrás de ella.** Cuando la rueda, en el punto de operación, se esté moviendo alejándose de la mano, el posible retroceso podrá impulsar la rueda que gira y la herramienta eléctrica directamente hacia usted.
- e. **Cuando la rueda se esté pellizcando o enganchando, o cuando se interrumpa un corte por cualquier motivo, apague la herramienta eléctrica y manténgala inmóvil hasta que la rueda se detenga por completo. No intente nunca retirar la rueda tronzadora del corte mientras la rueda esté en movimiento, ya que de lo contrario podría ocurrir retroceso.** Investigue y tome medidas correctivas

para eliminar la causa de que la rueda se pellizque o se enganche.

- f. **No reinicie la operación de corte en la pieza de trabajo. Deje que la rueda alcance la máxima velocidad y reingrese cuidadosamente en el corte.** La rueda podría atorarse, desviarse o experimentar retroceso si la herramienta eléctrica es rearrancada en la pieza de trabajo.
- g. **Soporte los paneles o cualquier pieza de trabajo extragrande para minimizar el riesgo de que la rueda se pellizque y experimente retroceso.** Las piezas de trabajo grandes tienden a combarse bajo su propio peso. Se deben colocar soportes debajo de la pieza de trabajo cerca de la línea de corte y cerca del borde de la pieza de trabajo a ambos lados de la rueda.
- h. **Tenga precaución extra cuando haga un “corte de bolsillo” en paredes existentes u otras áreas ciegas.** La rueda que sobresale puede cortar tuberías de gas o agua, cables eléctricos u objetos que pueden causar retroceso.

### Advertencias de seguridad específicas para las operaciones de cepillado con cepillo de alambre:

- a. **Tenga presente que el cepillo lanza cerdas de alambre incluso durante la operación ordinaria. No someta los alambres a un esfuerzo excesivo aplicando una carga excesiva al cepillo.** Las cerdas de alambre pueden penetrar fácilmente en la ropa ligera y/o la piel.
- b. **Deje que los cepillos giren a la velocidad de funcionamiento durante por lo menos un minuto antes de usarlos. Durante este tiempo nadie debe ubicarse delante del cepillo ni en línea con él.** Las cerdas o los alambres que estén flojos se lanzarán durante el tiempo de asentamiento.
- c. **Dirija la descarga del cepillo de alambre que gira alejándola de usted.** Es posible que se lancen partículas pequeñas y fragmentos diminutos de alambre a alta velocidad durante el uso de estos cepillos y puede que dichas partículas y fragmentos se incrusten en la piel.

## Advertencias de seguridad adicionales

- a. Un GFCI y los dispositivos de protección personal, como guantes de goma y calzado de goma de electricista, mejorarán más su seguridad personal.
- b. **Mantenga los mangos secos, limpios y libres de aceite y grasa.** Las manos resbalosas no pueden controlar de modo seguro la herramienta mecánica.
- c. **Desarrolle un programa de mantenimiento periódico de la herramienta. Cuando limpie una herramienta, tenga cuidado de no desmontar ninguna de sus partes, ya que los cables internos podrían reubicarse incorrectamente o pellizcarse, o los resortes de retorno de los protectores de seguridad podrían montarse incorrectamente.** Ciertos agentes de limpieza, tales como gasolina, tetracloruro de carbono, amoníaco, etc., podrían dañar las piezas de plástico.
- d. **Asegúrese de que el interruptor esté en la posición de apagado antes de introducir el paquete de batería.** Si se introduce el paquete de batería en herramientas mecánicas que tengan el interruptor en la posición de encendido, se invita a que se produzcan accidentes.

**⚠ ADVERTENCIA** Cierta **polvo generado por el lijado, aserrado, amolado y taladrado mecánicos, y por otras actividades de construcción, contiene agentes químicos que se sabe que causan cáncer, defectos de nacimiento u otros daños sobre la reproducción. Algunos ejemplos de estos agentes químicos son:**

- Plomo de pinturas a base de plomo,
- Sílice cristalina de ladrillos y cemento y otros productos de mampostería, y
- Arsénico y cromo de madera tratada químicamente.

Su riesgo por causa de estas exposiciones varía, dependiendo de con cuánta frecuencia realice este tipo de trabajo. Para reducir su exposición a estos agentes químicos: trabaje en un área bien ventilada y trabaje con equipo de seguridad aprobado, como por ejemplo máscaras antipolvo que estén diseñadas especialmente para impedir mediante filtración el paso de partículas microscópicas.

**⚠ ADVERTENCIA** **Lea y entienda todas las instrucciones.** El incumplimiento de todas las instrucciones indicadas a continuación puede dar lugar a sacudidas eléctricas, incendios y/o lesiones personales graves.

**INSTRUCCIONES DE SEGURIDAD Y DE FUNCIONAMIENTO IMPORTANTES  
CONSERVE ESTAS INSTRUCCIONES**

## Normas de seguridad para cargadores

- a. **Este manual contiene instrucciones para el cargador de baterías modelo GAL12V-20.** No lo sustituya por ningún otro cargador.
- b. **Antes de utilizar el cargador de baterías, lea todas las instrucciones e indicaciones de precaución que se encuentran en (1) el cargador de baterías, (2) el paquete de batería y (3) el producto que utiliza baterías.**
- c. **Cargue solamente las baterías recargables Dremel que se indican en la página 65.** Otros tipos de baterías pueden reventar, causando lesiones corporales y daños.
- d. **Cargue el paquete de batería a temperaturas por encima de +32 grados F (0 grados C) y por debajo de +113 grados F (45 grados C).** Almacene la herramienta y el paquete de batería en lugares en los que las temperaturas no excedan 120 grados F (49 grados C). Esto es importante para prevenir daños graves a las celdas de la batería.
- e. **No recargue la batería en un ambiente húmedo o mojado. No exponga el cargador ni a la lluvia ni a la nieve.** La entrada de agua en el cargador de baterías puede causar descargas eléctricas o incendio.

## Normas de seguridad para cargadores

- f. **Se puede producir un escape del líquido de las baterías bajo condiciones extremas de uso o de temperatura. Evite el contacto con la piel y los ojos.** El líquido de la batería es cáustico y podría causar quemaduras químicas en los tejidos. Si el líquido entra en contacto con la piel, lávela rápidamente con agua y jabón. Si el líquido entra en contacto con los ojos, enjuáguelos con agua durante un mínimo de 10 minutos y obtenga atención médica.
- g. **Coloque el cargador sobre superficies planas ininflamables y alejado de materiales inflamables cuando recargue el paquete de batería. Las alfombras y otras superficies termoaislantes bloquean la circulación apropiada de aire, lo cual puede causar sobrecalentamiento del cargador y del paquete de batería.** Si se observa humo o derretimiento del cargador o del paquete de batería, desenchufe inmediatamente el cargador y no utilice el paquete de batería ni el cargador. Contacte inmediatamente a servicio al cliente.
- h. **Asegúrese de que el cable de alimentación esté ubicado de manera que no se pueda pisar ni tropezar en él, ni que pueda sufrir daños ni someterse a esfuerzo excesivo de alguna otra manera.** El enchufe y el cable de alimentación dañados pueden causar descargas eléctricas o incendio.
- i. **Desconecte el cargador jalando el enchufe en lugar de jalando el cable de alimentación. No utilice el cargador con el cable de alimentación o el enchufe dañado; haga que reemplacen el cable o el enchufe de inmediato.** Un enchufe o un cable de alimentación dañado puede causar descargas eléctricas o incendio.
- j. **No inserte el paquete de batería en el cargador si la carcasa del paquete de batería está agrietada.** La utilización de un paquete de batería dañado puede causar descargas eléctricas o incendio.
- k. **No desensamble el cargador ni lo utilice si ha recibido un golpe fuerte, se ha caído o se ha dañado de alguna otra manera.** Un reensamblaje incorrecto o los daños pueden causar descargas eléctricas o incendio.
- l. **Antes de cada uso, compruebe el cargador de baterías, el cable y el enchufe. Si se detecta algún daño, no utilice el cargador de baterías. No abra nunca el cargador de baterías usted mismo, llévelo a un Centro de Servicio de Fábrica Dremel o a un técnico de servicio calificado que utilice únicamente piezas de repuesto originales.** Un reensamblaje incorrecto puede causar descargas eléctricas o incendio.
- m. **No utilice un aditamento no recomendado o no vendido por Dremel .** La utilización de aditamentos no recomendados puede causar descargas eléctricas o incendio.
- n. **No almacene el paquete de batería en el cargador.** El paquete de batería almacenado en el cargador durante un período de tiempo prolongado podría causar daños al paquete de batería e incendio del mismo.
- o. **Desenchufe el cargador del tomacorriente antes de almacenarlo, intentar cualquier mantenimiento o limpiarlo.** Dichas medidas preventivas de seguridad reducen el riesgo de descargas eléctricas o incendio.
- p. **Mantenga limpio el cargador de baterías soplando aire comprimido en las aberturas de ventilación del cargador y limpiando la carcasa del cargador con un paño húmedo.** La contaminación puede causar descargas eléctricas o incendio.
- q. **Reemplace el paquete de batería si se observa un descenso sustancial del tiempo de funcionamiento por carga.** Es posible que el paquete de batería se esté acercando al final de su vida útil.

## Cuidado de las baterías

**⚠ ADVERTENCIA** Cuando las baterías no están en la herramienta o en el cargador, manténgalas alejadas de objetos metálicos. Por ejemplo, para evitar que las terminales hagan cortocircuito, **NO** ponga las baterías en una caja

de herramientas o en un bolsillo con clavos, tornillos, llaves, etc. Se pueden producir un incendio o lesiones.

**NO ARROJE LAS BATERÍAS AL FUEGO NI LAS EXPONGA AL CALOR INTENSO.** Pueden explotar.

## Eliminación de las baterías

**⚠ ADVERTENCIA** No intente desarmar la batería ni quitar ninguno de los componentes que sobresalen de las terminales de la batería. Se pueden producir lesiones o un incendio. Antes de tirarla, proteja las terminales que están al descubierto con cinta adhesiva aislante gruesa para prevenir cortocircuitos.

Corporation está participando voluntariamente en un programa de la industria para recoger y reciclar estas baterías al final de su vida útil, cuando se retiran de servicio en los Estados Unidos y Canadá. El programa RBRC proporciona una alternativa conveniente a tirar las baterías de Li-ion usadas a la basura o a la corriente municipal de aguas residuales, lo cual quizás sea ilegal en su área.

### Baterías de iones de litio

Si este producto está equipado con una batería de iones de litio, dicha batería debe recogerse, reciclarse o eliminarse de manera segura para el medio ambiente.








Tenga la amabilidad de llamar al 1-800-8-BATTERY para obtener información acerca de las prohibiciones/restricciones sobre el reciclaje y la eliminación de baterías de Li-ion en su lugar o devuelva las baterías a un Centro de servicio Bosch/Dremel para reciclarlas. La participación de Robert Bosch Tool Corporation en este programa es parte de nuestro compromiso hacia preservar nuestro medio ambiente y conservar nuestros recursos naturales.”



“El sello de reciclaje de baterías RBRC certificado por la EPA que se encuentra en la batería de iones de litio (Li-ion) indica que Robert Bosch Tool


## Símbolos

**Importante:** Es posible que algunos de los símbolos siguientes se usen en su herramienta. Por favor, estúdielos y aprenda su significado. La interpretación adecuada de estos símbolos le permitirá utilizar la herramienta mejor y con más seguridad.

Símbolo	Désignación/Explicación
V	Volt (tensión)
A	Ampere (corriente)
Hz	Hertz (frecuencia, ciclos por segundo)
W	Watt (potencia)
kg	Kilogramo (peso)
min	Minuto (tiempo)
s	Segundo (tiempo)
∅	Diámetro (tamaño de las brocas taladradoras, muelas, etc)
$n_0$	Velocidad sin carga (velocidad rotacional sin carga)
n	Velocidad nominal (máxima velocidad obtenible)
.../min	Revoluciones o alternación por minuto (revoluciones, golpes, velocidad de superficie, órbitas, etc., por minuto)
0	Posición "off" (velocidad cero, par motor cero...)
1, 2, 3, ... I, II, III,	Graduaciones del selector (graduaciones de velocidad, par motor o posición. Un número más alto significa mayor velocidad)
	Selector infinitamente variable con apagado (la velocidad aumenta desde la graduación de 0)
	Flecha (Acción en la dirección de la flecha)
	Corriente alterna (tipo o una característica de corriente)
	Corriente continua (tipo o una característica de corriente)
	Corriente alterna o continua (tipo o una característica de corriente)
	Construcción de clase II (designa las herramientas de construcción con aislamiento doble)
	Terminal de toma de tierra (terminal de conexión a tierra)

## Símbolos

**Importante:** Es posible que algunos de los símbolos siguientes se usen en su herramienta. Por favor, estúdielos y aprenda su significado. La interpretación adecuada de estos símbolos le permitirá utilizar la herramienta mejor y con más seguridad.

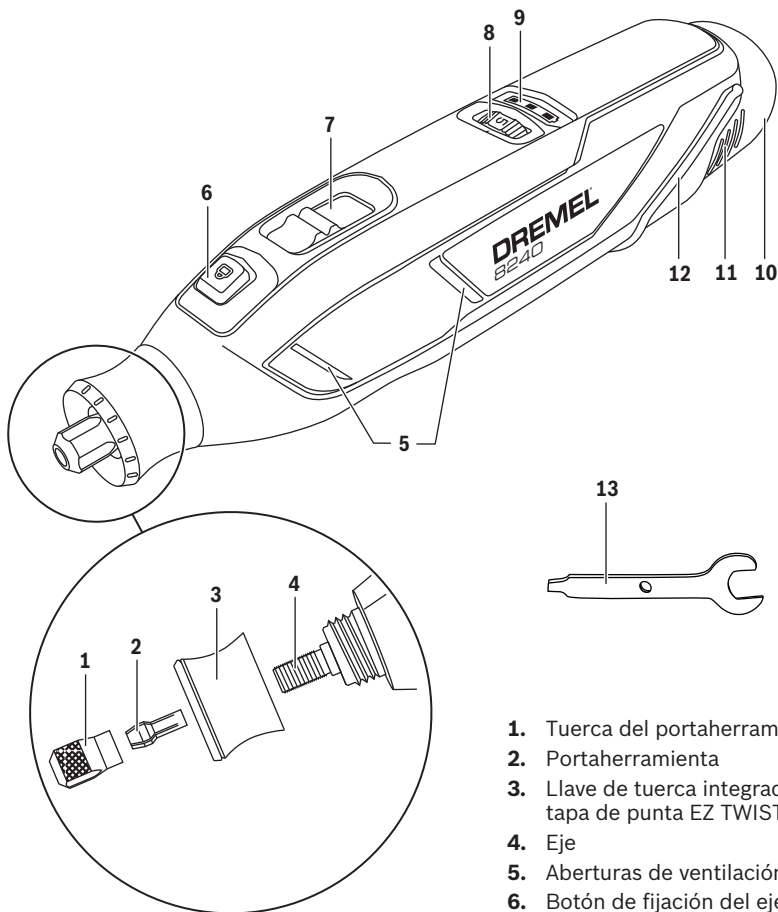
Símbolo	Désignación/Explicación
	Alerta al usuario para que lea el manual.
	Alerta al usuario para que use protección de los ojos.
	Alerta al usuario para que use protección respiratoria.
	Alerta al usuario para que use protección de la audición.
	Alerta al usuario para que use protección de los ojos, respiratoria y de la audición
	Este símbolo indica que Underwriters Laboratories ha catalogado esta herramienta indicando que cumple con las normas estadounidenses y canadienses.
	Este símbolo indica que esta herramienta está catalogada por la Canadian Standards Association.
	Este símbolo indica que la Canadian Standards Association ha catalogado esta herramienta indicando que cumple con las normas estadounidenses y canadienses.
	Este símbolo indica que Intertek Testing Services ha catalogado esta herramienta indicando que cumple con las normas estadounidenses y canadienses.
	Designa el programa de reciclaje de baterías de Li-ion.



## Descripción funcional y especificaciones

### Herramienta giratoria sin cordón modelo 8240

Fig. 1



1. Tuerca del portaherramienta
2. Portaherramienta
3. Llave de tuerca integrada / tapa de punta EZ TWIST™
4. Eje
5. Aberturas de ventilación
6. Botón de fijación del eje
7. Interruptor de encendido y apagado
8. Dial de velocidad variable
9. Indicador de combustible
10. Paquete de baterías
11. Lengüetas de liberación de las baterías
12. Gancho
13. Llave de portaherramienta

Número de modelo.....8240  
 Tensión nominal .....10,8V/12V  $\overline{\text{---}}$  MÁX  
 Velocidad nominal .....n 5.000 - 35.000/min  
 Capacidad del  
 portaherramienta .....0,8 mm, 1,6 mm,  
 2,4 mm, 3,2 mm  
 Cargador .....GAL12V-20  
 Tensión nominal.....120 V~ 60 Hz

#### Paquetes de batería/Cargadores de baterías:

Sírvase consultar la lista de baterías/cargadores incluidas con su herramienta.

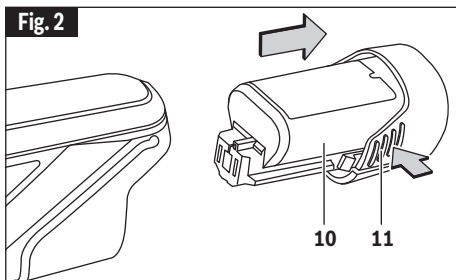
## Ensamblaje

**⚠ ADVERTENCIA** Desconecte el paquete de batería de la herramienta antes de realizar cualquier ensamblaje, ajuste o cambio de accesorios.

Dichas medidas preventivas de seguridad reducen el riesgo de arrancar la herramienta accidentalmente.

### Introducción y suelta del paquete de baterías

Saque el paquete de baterías **10** de la herramienta presionando sobre ambos lados de las lengüetas de liberación de las baterías **11** y tire hacia abajo (Fig. 2). Para introducir la batería, alinee la batería e introduzca el paquete de baterías en la herramienta hasta que quede fijo en su posición. No lo fuerce.



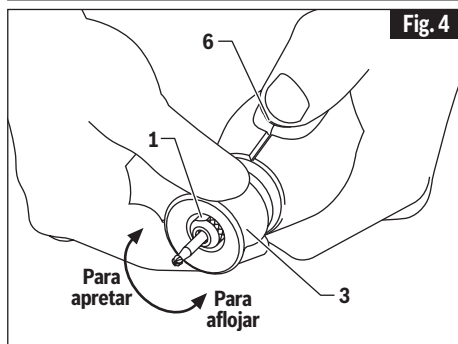
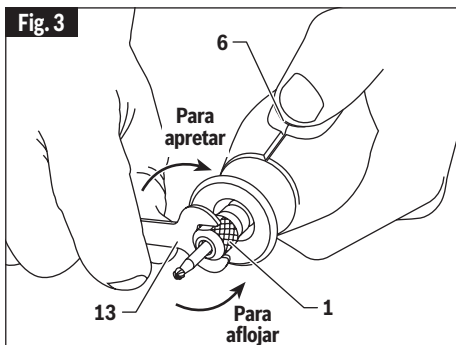
### Tuerca del portaherramienta

Para aflojar la tuerca, oprima primero el botón de fijación del eje **6** y gire el eje a mano hasta que el cierre acople el eje, impidiendo así toda rotación posterior. La Dremel 8240 está equipada con un mecanismo de cierre rápido del portaherramienta. Este mecanismo acopla el eje de salida en 8 ubicaciones distintas del eje para facilitar la operación.

**⚠ PRECAUCIÓN** No acople el cierre mientras la herramienta giratoria está en marcha.

Con el cierre del eje acoplado, utilice la llave de portaherramienta **13** para aflojar la tuerca del portaherramienta **1** en caso de que sea necesario. La tuerca del portaherramienta debe estar enroscada flojamente cuando se introduzca un accesorio. Cambie accesorios introduciendo el nuevo accesorio en el portaherramienta hasta donde se pueda para minimizar el descentramiento y el desequilibrio. Con el cierre del eje acoplado, apriete la tuerca del portaherramienta con los dedos hasta que el portaherramienta agarre el cuerpo del accesorio (Fig 3).

**Evite apretar excesivamente la tuerca del portaherramienta cuando no haya una broca introducida.**



### Llave de tuerca integrada / tapa de punta EZ TWIST™

La tapa de punta de su herramienta tiene una llave de tuerca integrada que le permite aflojar y apretar la tuerca del

portaherramienta sin utilizar la llave de tuerca para portaherramienta estándar. Desenrosque la tapa de punta **3** de la herramienta y alinee el inserto de acero ubicado en el interior de la tapa con la tuerca del portaherramienta **1**. Con el cierre del eje acoplado, gire la tapa de punta en el sentido de las agujas del reloj para apretar la tuerca del portaherramienta y en sentido contrario al de las agujas del reloj para aflojarla (Fig. 4).

## Ensamblaje

### Portaherramientas

Hay portaherramientas de cuatro tamaños distintos (Fig. 5) disponibles para la herramienta giratoria con objeto de acomodar diferentes tamaños de cuerpo. Para instalar un portaherramienta distinto, saque la tuerca del portaherramienta y quite el portaherramienta viejo. Introduzca el extremo no ranurado del portaherramienta en el agujero que se encuentra al final del eje de la herramienta. Vuelva a colocar la tuerca del portaherramienta en el eje.

**PRECAUCIÓN** Utilice siempre el portaherramienta que corresponda al tamaño del cuerpo del accesorio que usted piensa utilizar. Nunca intente introducir a la fuerza en un portaherramienta un cuerpo de diámetro más grande que el que pueda aceptar dicho portaherramienta.

**Nota:** La mayoría de los juegos de herramienta giratoria no incluyen los cuatro tamaños de portaherramienta.

#### CUADRO DE IDENTIFICACIÓN DE PORTAHERRAMIENTAS

Los tamaños de portaherramienta se pueden identificar por medio de las anillas que se encuentran en el extremo posterior del portaherramienta.

El portaherramienta de 0,8 mm tiene (1) anilla.

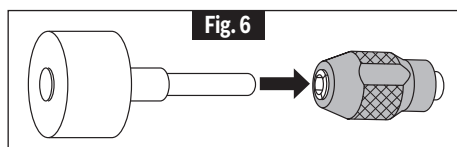
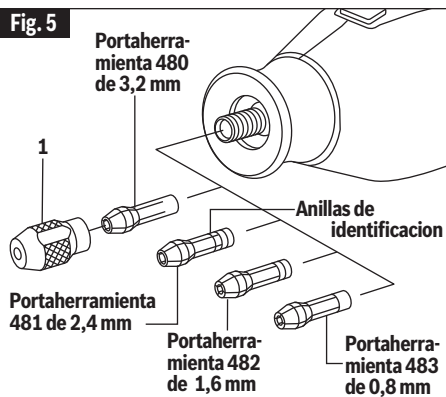
El portaherramienta de 1,6 mm tiene (2) anillas.

El portaherramienta de 2,4 mm tiene (3) anillas.

El portaherramienta de 3,2 mm no tiene anillas (incluido en la herramienta en la mayoría de los juegos de herramienta).

### Liberación de portaherramientas atorados

Es posible que un portaherramienta se atore dentro de la tuerca del portaherramienta, especialmente si dicha tuerca está apretada en la herramienta sin que haya una broca instalada en la misma. Si esto sucede, el portaherramienta se puede retirar de la tuerca del portaherramienta empujando el vástago de un accesorio hacia el interior del agujero de la tuerca del portaherramienta (Fig. 6). Esto debería hacer que el portaherramienta salga de la tuerca del portaherramienta.



### Equilibrado de accesorios

Para realizar trabajo de precisión es importante que todos los accesorios se encuentren bien equilibrados (de manera muy parecida a las gomas de su automóvil). Para nivelar o equilibrar un accesorio, afloje ligeramente la tuerca del portaherramienta y haga girar el accesorio o el portaherramienta 1/4 de vuelta. Vuelva a apretar la tuerca del portaherramienta y ponga en marcha la herramienta giratoria. El sonido y la sensación del accesorio deberán permitirle saber si éste está funcionando de manera equilibrada. Siga realizando ajustes de esta manera hasta lograr el mejor equilibrio. Para mantener equilibradas las fresas abrasivas, antes de cada utilización, con la fresa fijada de manera segura en el portaherramienta, encienda la herramienta giratoria y haga funcionar la piedra de reacondicionamiento 415 apoyándola ligeramente contra la fresa que gira. Esto quita las partes que sobresalen y nivela la fresa para que ésta quede bien equilibrada.

El colgador se suministra con el fin de emplearlo para colgar la herramienta mientras se esté utilizando el eje flexible o para almacenamiento. Si no usa el colgador, acóplelo a presión de vuelta en su sitio para que esté fuera del paso mientras se esté utilizando la herramienta.

## Uso previsto

Esta herramienta eléctrica está diseñada para aplicaciones de tallado / grabado, fresado, amolado / afilado, corte, limpieza / pulido, lijado, remoción de lechada y taladrado en madera blanda,

madera dura, laminados / plásticos, acero, aluminio / latón / cobre, caparazón / piedra, cerámica y materiales de vidrio.

## Instrucciones de utilización

**PRECAUCIÓN** Cuando agarre la herramienta, tenga cuidado de no cubrir las aberturas de ventilación con la mano. Esto bloquea el flujo de aire y hace que el motor se recaliente.

### Interruptor de "encendido y apagado" deslizante

La herramienta se ENCIENDE por medio del interruptor oscilante **7** ubicado en el lado superior de la carcasa del motor.

PARA ENCENDER LA HERRAMIENTA, deslice el botón del interruptor hacia delante.

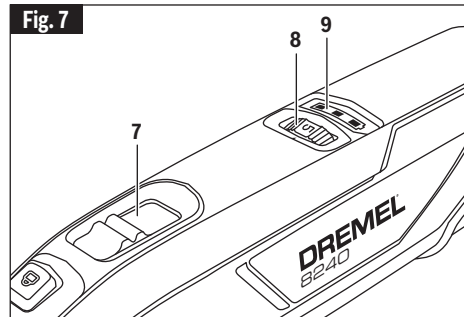
PARA APAGAR LA HERRAMIENTA, deslice el botón del interruptor hacia detrás.

### Dial de velocidad variable

La herramienta está equipada con un dial de velocidad variable **8**. La velocidad se puede ajustar durante la utilización rotando el dial hacia detrás o hacia delante entre cualquiera de los ajustes.

Número del indicador de velocidad	Intervalo de velocidad aproximado, /min (RPM)
5	4,000-6,000
•10	9,000-11,000
15	14,000-17,000
20	17,000-22,000
25	22,000-26,000
30	27,000-31,000
35	31,000-35,000
• Ajuste del cepillo de alambre.	

Puede consultar los cuadros de la página 76-79 para determinar la velocidad adecuada, basándose en el



material en el que se esté trabajando y el tipo de accesorio que se esté utilizando. Estos cuadros le permiten seleccionar de un vistazo tanto el accesorio correcto como la velocidad óptima.

Posiciones para las revoluciones apropiadas.

Aumentar la presión sobre la herramienta no es la respuesta cuando ésta no esté funcionando como usted cree que debe hacerlo. Quizás usted debería estar utilizando un accesorio distinto, y tal vez un ajuste de la velocidad resolvería el problema. Apoyarse sobre la herramienta no ayuda.

**¡Deje que la velocidad haga el trabajo!**

Todos los aditamentos de herramienta giratoria Dremel son compatibles con esta herramienta, pero es posible que se produzcan tiempos de funcionamiento reducidos con la batería cuando se utilicen ciertos aditamentos.

### Indicador de combustible

Esta herramienta está equipada con un indicador de combustible **9** que le indica cuánta carga tiene la batería. Cuando las tres luces LED están iluminadas, se está indicando que la batería está completamente cargada. A medida que la batería se vaya descargando, las luces se apagarán de una en una hasta que sólo quede una luz encendida. Cuando

## Instrucciones de utilización

la última luz comience a "parpadear", la batería estará casi vacía. Cuando la batería esté completamente descargada, la luz se apagará automáticamente. Esto será una parada repentina, en contraposición a una pérdida gradual de velocidad de la herramienta. Simplemente recargue la batería y reutilícela.

3 luces: Queda el 100% de la carga;

2 luces: Queda el 50% de la carga;

1 luz: Queda el 25% de la carga;

1 luz "parpadeante": La herramienta está a punto de apagarse.

3 luces "parpadeantes": La batería está demasiado caliente o demasiado fría para utilizarla. Apague la herramienta y deje que la batería regrese a la temperatura de funcionamiento normal antes de reanudar la utilización.

### Carga del paquete de baterías

#### NOTAS IMPORTANTES PARA CARGAR

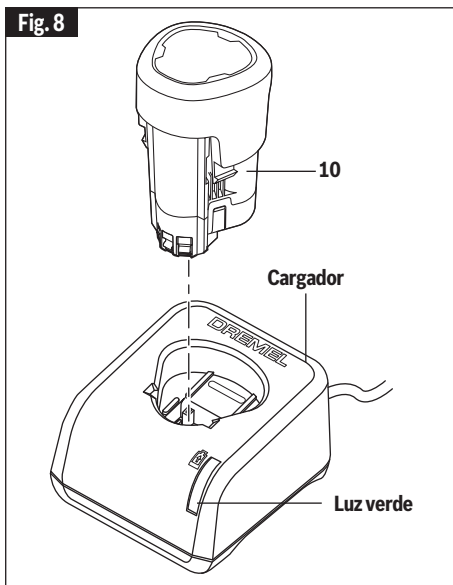
1. El cargador fue diseñado para cargar la batería rápidamente sólo cuando la temperatura de la batería está entre 0°C (32°F) y 45°C (113°F). Si el paquete de baterías está demasiado caliente o demasiado frío, el cargador no cargará rápidamente la batería. (Esto puede ocurrir si el paquete de baterías está caliente debido a una utilización intensa.) Cuando la temperatura de la batería vuelva a estar entre 0°C (32°F) y 45°C (113°F), el cargador comenzará a cargar automáticamente.
2. Un descenso considerable en el tiempo de funcionamiento por carga puede significar que el paquete de baterías se está acercando al final de su vida y que debe ser sustituido.
3. Recuerde desenchufar el cargador durante el período de almacenamiento.
4. Si la batería no carga adecuadamente:
  - a. Compruebe que hay tensión en el tomacorriente enchufando algún otro dispositivo eléctrico.
  - b. Compruebe si el tomacorriente está conectado a un interruptor de luz que corta el suministro de energía cuando se apagan las luces.

- c. Compruebe si hay suciedad en las terminales del paquete de baterías. Límpielas con un pedazo de algodón y alcohol si es necesario.
- d. Si usted sigue sin obtener una carga adecuada, lleve o envíe la herramienta, el paquete de baterías y el cargador al Centro de servicio Dremel local.

**Nota:** El uso de cargadores o paquetes de batería no recomendados por Dremel en la lista de baterías/cargadores anulará la garantía.

### CARGADOR DREMEL GAL12V-20

Enchufe el cordón del cargador en un tomacorriente eléctrico estándar y luego introduzca el paquete de baterías **10** en el cargador (Fig. 8).



Si la luz indicadora verde está apagada, el cargador no está recibiendo energía del tomacorriente de alimentación.

La luz indicadora verde del cargador comenzará a "PARPADEAR". Esto indica que la batería está recibiendo una carga rápida. La carga rápida se detendrá automáticamente cuando el paquete de baterías esté completamente cargado.

Cuando la luz indicadora deje de "PARPADEAR" (y se vuelva una luz verde constante), la carga rápida habrá terminado.

El paquete de baterías se puede usar

## Instrucciones de utilización

incluso aunque la luz siga parpadeando. Puede que tenga que pasar más tiempo para que la luz deje de parpadear, según la temperatura.

Les indicará que el paquete de batería se está cargando rápidamente. La luz dejará de parpadear en menos tiempo si el paquete de baterías no estaba completamente descargado.

Si la luz indicadora verde está "ENCENDIDA", el cargador está enchufado pero el paquete de baterías no está introducido, o el paquete de baterías se encuentra totalmente cargado, o el paquete de baterías está demasiado caliente o demasiado frío para la carga rápida. El cargador cambiará automáticamente a carga rápida una vez que se alcance una temperatura adecuada.

Al cargar varias baterías en secuencia, es posible que el tiempo de carga aumente ligeramente.

Cuando el paquete de baterías esté completamente cargado, desenchufe el cargador (a menos que vaya a cargar otro paquete de baterías) y vuelva a introducir el paquete de baterías en la herramienta.

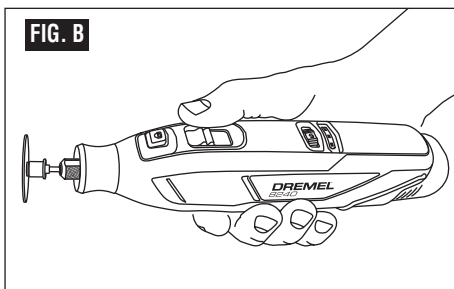
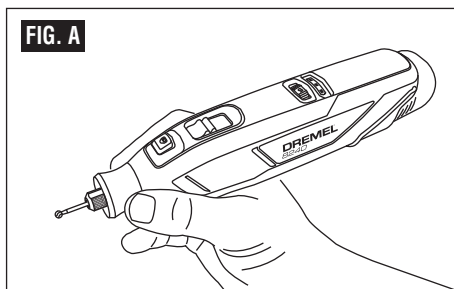
### Utilización de la herramienta giratoria

**⚠ MISE EN GARDE** Chaque fois que vous prenez l'outil, veillez à ne pas couvrir les trous d'aération avec votre main, ce qui a pour effet d'empêcher l'air de circuler à l'intérieur et ainsi faire surchauffer le moteur.

Pour obtenir un meilleur contrôle dans le travail de précision, tenez l'outil rotatif comme un crayon, entre le pouce et l'index (Figure A.)

La méthode de maintien de l'outil dans la « paume de la main » s'utilise pour des opérations plus énergiques, comme le meulage de surfaces planes ou l'utilisation de disques de découpage (Figure B.)

Pratiquez d'abord sur des matériaux de rebut pour voir comment fonctionne l'action à haute vitesse de l'outil rotatif. N'oubliez pas que le travail est accompli par la vitesse de l'outil et par l'accessoire monté dans la douille. Vous



ne devez pas appuyer sur l'outil ni pousser celui-ci pendant l'usage.

Abaissez plutôt l'accessoire en rotation, légèrement vers la pièce, en le laissant toucher l'endroit où vous voulez commencer la coupe (ou le ponçage ou la gravure, etc.). Ayez vos efforts sur le guidage de l'outil sur la pièce, en n'exerçant qu'une très faible pression de votre main. Laissez l'accessoire faire le travail.

Il est habituellement préférable de passer l'outil plusieurs fois plutôt que de tenter de faire tout le travail d'une seule fois. Ainsi, pour pratiquer une coupe, passez l'outil allant-venant sur la pièce, tout comme vous le feriez avec un petit pinceau. Coupez un peu de matériau à chaque passage jusqu'à ce que vous atteigniez la profondeur désirée. L'approche douce et adroite est celle qui convient le mieux à la plupart des tâches. Vous exercez ainsi un meilleur contrôle, êtes moins susceptible de commettre des erreurs, et obtenez le meilleur rendement de l'accessoire.

### Questions ou problèmes ?

Composez le 1-800-437-3635 ou visitez notre site web à [www.Dremel.com](http://www.Dremel.com)

## Mantenimiento

**⚠ ADVERTENCIA** Para evitar accidentes, desconecte siempre la herramienta y/o el cargador de la fuente de alimentación antes de realizar servicio de ajustes y reparaciones o limpieza.

### Servicio

**⚠ ADVERTENCIA** NO HAY PIEZAS EN EL INTERIOR QUE PUEDAN SER AJUSTADAS O REPARADAS POR EL USUARIO. El mantenimiento preventivo realizado por personal no autorizado puede dar lugar a la colocación incorrecta de cables y componentes internos que podría constituir un peligro serio.

Recomendamos que todo el servicio de las herramientas sea realizado en un Centro de servicio de fábrica Dremel. **TECNICOS DE REPARACIONES:** Desconecten la herramienta y/o el cargador de la fuente de energía antes de realizar servicio de ajustes y reparaciones.

### Baterías

**Esté alerta a los paquetes de baterías que estén aproximándose al final de su vida útil.** Si observa una disminución del rendimiento de la herramienta o un tiempo de funcionamiento significativamente más corto entre cargas, entonces ha llegado el momento de cambiar el paquete de baterías. Si no se hace esto, el resultado puede ser que la herramienta funcione incorrectamente o que el cargador se dañe.

### Motores “corriente directa”

El motor de la herramienta ha sido diseñado para muchas horas de servicio fiable. Para mantener un rendimiento óptimo del motor, recomendamos que éste sea examinado cada seis meses. Sólo se debe usar un motor de repuesto Dremel genuino diseñado especialmente para la herramienta.

### Limpieza

**⚠ PRECAUCION** Ciertos agentes de limpieza y disolventes dañan las piezas de plástico. Algunos de estos son: gasolina, tetracloruro de carbono, disolventes de limpieza clorados, amoníaco y detergentes domésticos que contienen amoníaco.

Las aberturas de ventilación y las palancas de interruptor deben mantenerse limpias y libres de materias extrañas. No intente limpiar introduciendo objetos puntiagudos a través de las aberturas.

## Accesorios Dremel



### **ADVERTENCIA**

Utilice únicamente accesorios de la marca Dremel®. Otros accesorios no están diseñados para esta herramienta y pueden causar lesiones personales o daños materiales.

**Almacene los accesorios en un entorno seco y templado para evitar la corrosión y el deterioro.**

El número y la diversidad de accesorios para la Herramienta Rotativa son casi ilimitados. Hay una categoría adecuada para casi todos los trabajos que usted tenga que realizar – y una diversidad de tamaños y formas dentro de cada categoría que le permiten a usted obtener el accesorio perfecto para cada necesidad.

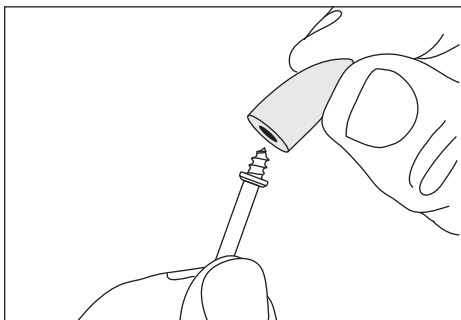
Las categorías de accesorios son las siguientes; tallado / grabado, fresado, amolado/afilado, corte, limpieza / pulido, lijado, remoción de lechada, taladrado y portaherramientas / varios.

Para obtener una guía completa de accesorios rotativos Dremel, sírvase visitar:  
**[dremel.com/documents/20812/597949/bit-guide-poster.pdf](https://dremel.com/documents/20812/597949/bit-guide-poster.pdf)**

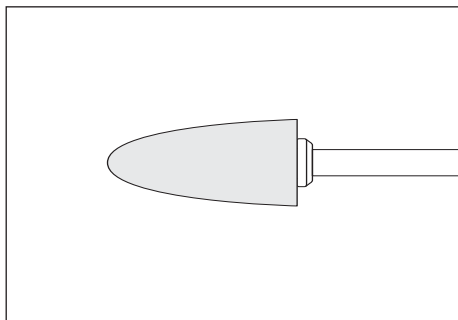




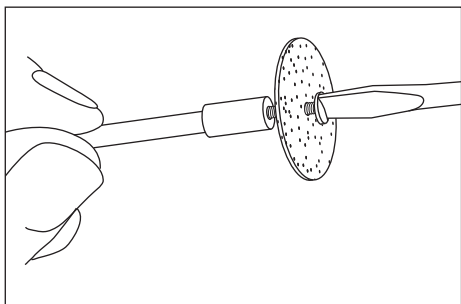
## Reemplazo de los accesorios de mandril de tornillo



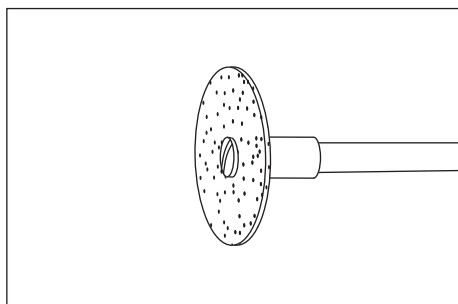
El vástago **No. 401** se utiliza con la punta de pulir de fieltro y las ruedas de pulir de fieltro. Enrosque la punta en el tornillo cuidadosamente. La punta de fieltro debe



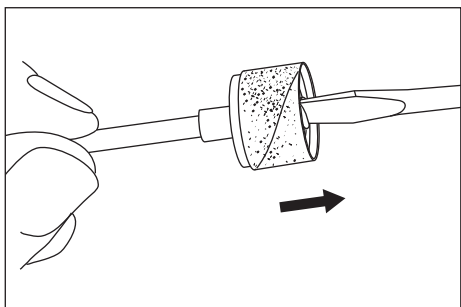
enroscarse hacia abajo en línea recta sobre el vástago de tornillo y se debe girar del todo hasta el collarín.



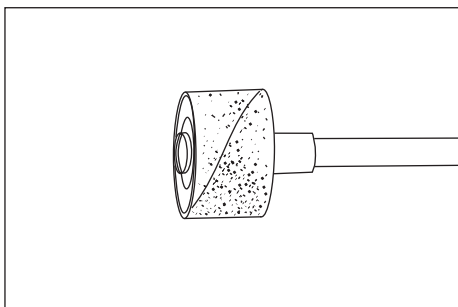
El vástago **No. 402** tiene un tornillo pequeño en la punta y se utiliza con ruedas de corte de esmeril y discos de lijar de esmeril. Las velocidades más altas, normalmente las



máximas, son mejores para la mayoría de los trabajos, incluyendo el corte de acero, que se muestra aquí.



Para cambiar una cinta de lijar en la **lijadora de tambor**, afloje el tornillo sin quitarlo para contraer el tambor y luego deslice la cinta vieja hasta sacarla. Deslice la cinta de lijar nueva sobre el tambor hasta que esté colocada y luego expanda el tambor apretando el tornillo una vez más.



**⚠ ADVERTENCIA** Antes de cada uso, asegúrese de que todos los componentes estén montados en el cuerpo del accesorio y de que el tambor esté suficientemente expandido para mantener fija la cinta de lijar durante el uso. Si dicha cinta está floja en el tambor durante la operación, podrá salir despedida y golpearles a usted o las personas que se encuentren presentes.

## Instrucciones de utilización del EZ Lock™

El **vástago EZ Lock™ No. EZ402** tiene un manguito accionado por resorte y se utiliza con ruedas de corte, discos de pulir abrasivos y un paño de pulir.

**⚠ ADVERTENCIA** Asegúrese de que la herramienta rotativa esté **"APAGADA"** y desconecte el enchufe de la fuente de alimentación o el paquete de batería de la herramienta antes de cambiar accesorios. Estas medidas de seguridad preventivas reducen el riesgo de arrancar la herramienta accidentalmente.

Asegúrese siempre de que el accesorio esté asentado correctamente sobre el mandril antes de utilizarlo. Es posible que un asentamiento incorrecto del accesorio sobre el mandril cause lesiones corporales o daños materiales.

### Para cargar el accesorio:

1. Coloque el mandril EZ Lock™ dentro del portaherramienta tan profundamente como sea posible y apriete la tuerca del portaherramienta.

**Nota:** Hay un espaciador azul que tocará fondo en la tuerca del portaherramienta, con lo cual el mandril se ajustará a la profundidad correcta. Cuando se esté utilizando con la boquilla Dremel, retroceda el mandril ligeramente hacia fuera antes de apretar.

2. Tire del manguito accionado por resorte HACIA ABAJO, hacia la herramienta, con una mano, y mantenga el manguito en esa posición. Usted puede apoyar la herramienta en el cuerpo o en un banco de trabajo para tener palanca adicional (Fig. 1).
3. Con la otra mano, alinee la forma de corbatín de la rueda de corte con el vástago y asegúrese de que el inserto de metal esté orientado de modo que se aleje de la herramienta (Fig. 2).
4. Coloque la rueda en el vástago hasta un punto justo por debajo del corbatín del vástago y girela 90 grados hasta que la forma de corbatín de la rueda se alinee con el manguito. Suelte el manguito. La rueda debería quedar fija en su sitio (Fig. 3).
5. Cuando monte accesorios de lijado y pulido, alinee el corbatín con el inserto de metal ubicado en la parte inferior del accesorio (Fig. 4 y 5).

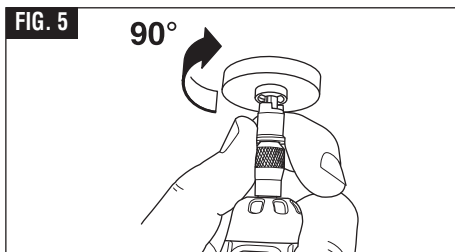
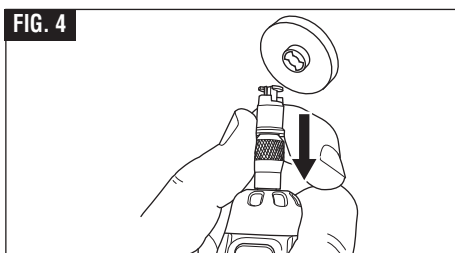
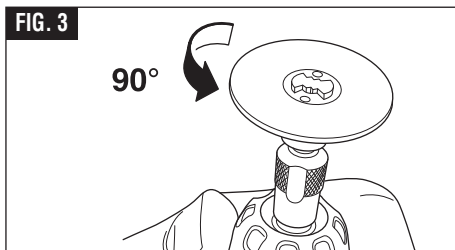
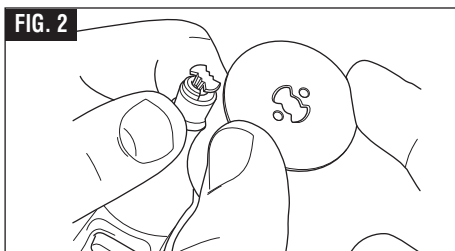
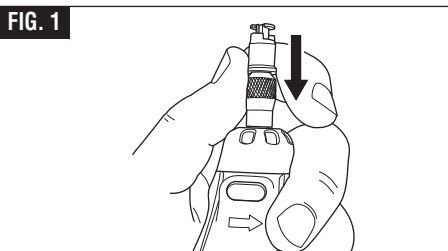
**Para comprobar si el asentamiento es correcto, sujete el botón de cierre del portaherramienta y gire el accesorio. El accesorio no podrá rotar en el vástago.**

### Para retirar un accesorio:

1. Tire del manguito accionado por resorte HACIA ABAJO, hacia la herramienta, con una mano (Fig. 1).
2. Mantenga el manguito hacia abajo mientras gira el accesorio 90 grados.
3. Retire el accesorio.

### Durante el uso

Evite los daños al vástago EZ Lock™ no dejando que éste entre en contacto con la pieza de trabajo.



## Instrucciones de utilización del EZ Drum™

El vástago EZ Drum™ No. EZ407SA tiene un manguito accionado por resorte y se utiliza con bandas de lijar.

**⚠ ADVERTENCIA** Asegúrese de que la herramienta rotativa esté "APAGADA" y desconecte el enchufe de la fuente de alimentación o el paquete de batería de la herramienta antes de cambiar accesorios. Estas medidas de seguridad preventivas reducen el riesgo de arrancar la herramienta accidentalmente.

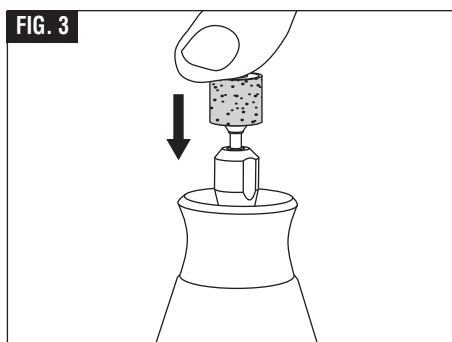
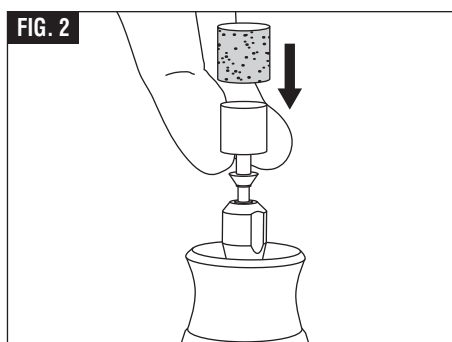
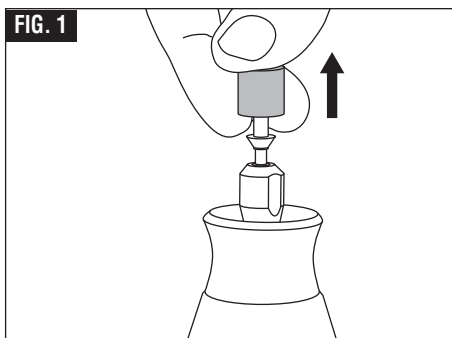
Asegúrese siempre de que el accesorio esté asentado correctamente sobre el mandril antes de utilizarlo. Es posible que un asentamiento incorrecto del accesorio sobre el mandril cause lesiones corporales o daños materiales.

### Para cargar el accesorio:

1. Tal y como se indica, coloque dos dedos debajo del vástago y jale firmemente hacia arriba. Esto colocará el EZ Drum™ en la posición "desbloqueada" (Fig. 1).
2. Manteniendo los dos dedos debajo del vástago, deslice la banda de lijar hacia abajo hasta que todo el vástago azul esté cubierto (Fig. 2).
3. Para regresar a la posición "bloqueada", presione firmemente hacia abajo sobre la parte de arriba del vástago (Fig. 3).

### Remoción de la banda de lijar del mandril:

1. Coloque dos dedos debajo del mandril y jale firmemente hacia arriba. Esto colocará el EZ Drum™ en la posición "desbloqueada" (Fig. 1).
2. La banda de lijar se deslizará ahora fácilmente hasta separarse del mandril (Fig. 2). No comprima la banda de lijar cuando la retire del mandril EZ Drum™. Esto puede hacer que la banda de caucho jale el mandril hasta retirarlo y la unidad quede inoperativa.



## Posiciones de velocidad

**Nota: Las posiciones de cada número indicadas en los cuadros de velocidad = 000 RPM**

- \* Velocidad para cortes ligeros; precaución de no quemar en ranuras profundas.
- Según la dirección de corte respecto a la veta.

Cortadores de alta velocidad								
Número de catálogo	Madera blanda	Madera dura	Laminados/plásticos	Acero	Aluminio, latón, etc.	Caparazón/piedra	Cerámica	Vidrio
100, 121, 131	25-35	25-35	12-17	12-17	18-24	-	-	-
114, 124, 134, 144	25-35	12-17	9-11	12-17	12-17	-	-	-
118, 190, 191, 192, 193, 194	25-35	25-35	9-11	12-17	25-35	-	-	-
116, 117, 125, 196	25-35	12-17	9-11	12-17	12-17	-	-	-
115	25-35	25-35	9-11	12-17	12-17	-	-	-
198, 199	25-35	18-24	9-11	12-17	12-17	-	-	-

Cortadores para grabar								
Número de catálogo	Madera blanda	Madera dura	Laminados/plásticos	Acero	Aluminio, latón, etc.	Caparazón/piedra	Cerámica	Vidrio
105, 18	25-35	25-35	18-24	9-11	12-17	-	-	-
106, 107, 109, 110	25-35	25-35	12-17	9-11	12-17	-	-	-
111	25-35*	25-35*	18-24*	9-11	12-17	-	-	-
112, 113	25-35*	25-35*	12-17*	9-11	12-17	-	-	-

Fresas con punta de diamante								
Número de catálogo	Madera blanda	Madera dura	Laminados/plásticos	Acero	Aluminio, latón, etc.	Caparazón/piedra	Cerámica	Vidrio
7103, 7105, 7117, 7120, 7122, 7123, 7134, 7144	25-35	18-24	-	-	-	25-35	25-35	25-35

Cortadores de carburo de tungsteno con dientes estructurados								
Número de catálogo	Madera blanda	Madera dura	Laminados/plásticos	Acero	Aluminio, latón, etc.	Caparazón/piedra	Cerámica	Vidrio
9931, 9932, 9933, 9934, 9935, 9936	25-35	18-24	9-11	-	12-17	-	-	-

## Posiciones de velocidad

**Nota: Las posiciones de cada número indicadas en los cuadros de velocidad = 000 RPM**

- \* Velocidad para cortes ligeros; precaución de no quemar en ranuras profundas.
- Según la dirección de corte respecto a la veta.

Cortadores de carburo de tungsteno								
Número de catálogo	Madera blanda	Madera dura	Laminados/plásticos	Acero	Aluminio, latón, etc.	Caparazón/piedra	Cerámica	Vidrio
9901, 9902, 9903, 9904, 9905, 9906, 9912	25-35	18-24	9-11	25-35	12-17	18-24	18-35	18-35
9909, 9910, 9911	-	-	-	-	-	18-24	18-35	18-35

Brocas de alta velocidad para fresar								
Número de catálogo	Madera blanda	Madera dura	Laminados/plásticos	Acero	Aluminio, latón, etc.	Caparazón/piedra	Cerámica	Vidrio
612, 615, 617, 618, 640, 650, 652, 654	25-35*	18-24•	-	-	-	-	-	-

Piedras de amolar de carburo de silicio (verde/gris)								
Número de catálogo	Madera blanda	Madera dura	Laminados/plásticos	Acero	Aluminio, latón, etc.	Caparazón/piedra	Cerámica	Vidrio
83142, 83322, 83702, 84922, 85422, 85602, 85622	-	-	12-17	25-35	9-11	12-17	25-35	25-35

Ruedas abrasivas/pointes								
Número de catálogo	Madera blanda	Madera dura	Laminados/plásticos	Acero	Aluminio, latón, etc.	Caparazón/piedra	Cerámica	Vidrio
516	9-17	9-17	-	18-24	12-17	-	-	-
500	9-17	9-17	-	12-24	9-17	-	-	-
EZ541GR	-	-	-	12-24	9-17	-	-	-

Piedras de amolar de óxido de aluminio (naranja/marrón)								
Número de catálogo	Madera blanda	Madera dura	Laminados/plásticos	Acero	Aluminio, latón, etc.	Caparazón/piedra	Cerámica	Vidrio
541, 903, 911, 921, 932, 941, 945, 952, 953, 954, 971, 997, 8153, 8175, 8193, 8215	25-35	25-35	-	18-24	9-11	12-17	25-35	-

## Posiciones de velocidad

**Nota: Las posiciones de cada número indicadas en los cuadros de velocidad = 000 RPM**

- \* Velocidad para cortes ligeros; precaución de no quemar en ranuras profundas.
- Según la dirección de corte respecto a la veta.

Piedras de afilar para sierras de cadena								
Número de catálogo	Madera blanda	Madera dura	Laminados/plásticos	Acero	Aluminio, latón, etc.	Caparazón/piedra	Cerámica	Vidrio
453, 454, 455	-	-	-	25-35	-	-	-	-

Accesorios de corte								
Número de catálogo	Madera blanda	Madera dura	Laminados/plásticos	Acero	Aluminio, latón, etc.	Caparazón/piedra	Cerámica	Vidrio
409, 420, 426, 540, EZ409	-	-	5-11	25-35	25-35	25-35	25-35	-
543, EZ544	25-35	18-35	5-11	-	-	-	-	-
545, EZ545	18-35	18-24	-	-	-	12-24	12-24	-
560	Para usar en paredes en seco. Para obtener mejores resultados utilícelos a 30.000 RPM.							
561	12-35	12-35	5-11	-	25-35	-	-	-
562	-	-	-	-	-	-	25-35	-
EZ456	-	-	-	25-35	25-35	-	-	-
EZ476	-	-	5-11	-	-	-	-	-

Accesorios para pulir								
Número de catálogo	Madera blanda	Madera dura	Laminados/plásticos	Acero	Aluminio, latón, etc.	Caparazón/piedra	Cerámica	Vidrio
461, 462, 463	-	-	-	18-24	18-24	18-24	18-24	18-24
414, 422, 429	-	-	-	12-17	12-17	12-17	12-17	12-17
425, 427	-	-	-	18-24	18-24	-	-	-
423E	-	-	-	12-24	12-24	12-24	12-24	12-24

Escobillas de alambre								
Número de catálogo	Madera blanda	Madera dura	Laminados/plásticos	Acero	Aluminio, latón, etc.	Caparazón/piedra	Cerámica	Vidrio
403, 404, 405	9-11	9-11	5-11	12-17	12-17	-	-	-
428, 442, 443	9-11	9-11	5-8	9-11	9-11	-	-	-
530, 531, 532	-	9-11	-	9-11	-	-	-	-
535, 536, 537	9-11	9-11	-	9-11	9-11	9-11	-	-

Cintas y discos de lijar								
Número de catálogo	Madera blanda	Madera dura	Laminados/plásticos	Acero	Aluminio, latón, etc.	Caparazón/piedra	Cerámica	Vidrio
407, 408, 430, 431, 432, 438, 439, 440, 444	5-35	5-35	5-17	25-35	25-35	5-35	5-35	-
411, 412, 413	18-24	18-24	9-11	-	5-11	-	-	-

## Posiciones de velocidad

**Nota: Las posiciones de cada número indicadas en los cuadros de velocidad = 000 RPM**

- \* Velocidad para cortes ligeros; precaución de no quemar en ranuras profundas.
- Según la dirección de corte respecto a la veta.

Ruedas de aletas								
Número de catálogo	Madera blanda	Madera dura	Laminados/plásticos	Acero	Aluminio, latón, etc.	Caparazón/piedra	Cerámica	Vidrio
502, 503, 504, 505	25-35	18-24	5-8	25-35	18-35	-	-	-

Discos de pulir abrasivos de acabado								
Número de catálogo	Madera blanda	Madera dura	Laminados/plásticos	Acero	Aluminio, latón, etc.	Caparazón/piedra	Cerámica	Vidrio
511E, 512E	12-17	12-17	9-11	12-17	12-17	-	-	-

Cepillos abrasivos para detalles								
Número de catálogo	Madera blanda	Madera dura	Laminados/plásticos	Acero	Aluminio, latón, etc.	Caparazón/piedra	Cerámica	Vidrio
EZ471SA, EZ472SA, EZ473SA	5-17	5-17	5-11	5-17	5-17	-	-	-

Broca taladradora								
Número de catálogo	Madera blanda	Madera dura	Laminados/plásticos	Acero	Aluminio, latón, etc.	Caparazón/piedra	Cerámica	Vidrio
150	25-35	18-35	5-11	-	12-17	-	-	-

Brocas para taladrar vidrio								
Número de catálogo	Madera blanda	Madera dura	Laminados/plásticos	Acero	Aluminio, latón, etc.	Caparazón/piedra	Cerámica	Vidrio
662DR, 663DR	-	-	-	-	-	5-17	5-17	5-17

Brocas para quitar lechada								
Número de catálogo	Madera blanda	Madera dura	Laminados/plásticos	Acero	Aluminio, latón, etc.	Caparazón/piedra	Cerámica	Vidrio
569, 570	Para usar en lechada de paredes y pisos					-	12-24	-

## Garantía limitada de Dremel®

Su producto Dremel está garantizado contra defectos de material o de fabricación durante un período de dos años a partir de la fecha de compra. En caso de que un producto no se ajuste a esta garantía escrita, por favor, tome las medidas siguientes:

1. NO devuelva el producto al lugar de compra.
2. Empaque el producto cuidadosamente y solo, sin otros artículos, y envíelo con el porte pagado junto con:
  - A. Una copia de la prueba de compra fechada (por favor, conserve una copia para usted).
  - B. Una explicación por escrito de la naturaleza del problema.
  - C. Su nombre, dirección y número de teléfono a:

### ESTADOS UNIDOS

Robert Bosch Tool  
Corporation Dremel Repairs  
173 Lawrence 428 Dock #2  
Walnut Ridge, AR 72476

### CANADÁ

Giles Tool Agency  
47 Granger Av.  
Scarborough, Ontario Canada  
M1K 3K9 1-416-287-3000

### FUERA DE LOS TERRITORIOS CONTINENTALES DE LOS EE.UU.

Vea al distribuidor local o escriba a:  
Dremel Repairs 173 Lawrence 428 Dock #2 Walnut Ridge, AR 72476

Recomendamos que el paquete sea asegurado contra pérdida o daños durante el transporte por los cuales no podemos ser responsables.

Esta garantía tiene validez únicamente para el comprador original inscrito. LOS DAÑOS AL PRODUCTO PRODUCIDOS POR MANIPULACION INCORRECTA, ACCIDENTE, ABUSO, NEGLIGENCIA, REPARACIONES O ALTERACIONES NO AUTORIZADAS, ACCESORIOS NO APROBADOS U OTRAS CAUSAS NO RELACIONADAS CON PROBLEMAS DEL MATERIAL O LA FABRICACION NO ESTAN CUBIERTOS POR ESTA GARANTIA.

Ningún empleado, agente, distribuidor, ni ninguna otra persona está autorizado a dar ninguna garantía en nombre de Dremel. Si la inspección de Dremel demuestra que el problema fue causado por problemas con el material o la fabricación dentro de los límites de la garantía, Dremel reparará o reemplazará el producto gratuitamente y devolverá el producto con el porte pagado. Las reparaciones necesarias debido al desgaste normal o al abuso, o las reparaciones de productos que se encuentren fuera del período de garantía, en caso de que se puedan realizar, se cobrarán a precios de fábrica normales.

DREMEL NO DA NINGUNA OTRA GARANTIA DE NINGUN OTRO TIPO, EXPRESA O IMPLICITA, Y TODAS LAS GARANTIAS IMPLICITAS DE COMERCIABILIDAD E IDONEIDAD PARA UN PROPOSITO ESPECIFICO QUE EXCEDEN LA OBLIGACION MENCIONADA ANTERIORMENTE QUEDAN POR LA PRESENTE RECHAZADAS POR PARTE DE DREMEL Y ESTAN EXCLUIDAS DE ESTA GARANTIA LIMITADA.

Esta garantía le confiere a usted derechos legales específicos y es posible que usted también tenga otros derechos que varían de un estado a otro. La obligación del garante consiste únicamente en reparar o reemplazar el producto. El garante no es responsable de ningún daño incidental o emergente debido a cualquiera de dichos defectos alegados. Algunos estados no permiten la exclusión o limitación de los daños incidentales o emergentes, por lo que es posible que las limitaciones o la exclusión anteriores no sean aplicables en el caso de usted.

Para precios y cumplimiento de la garantía en los territorios continentales de los Estados Unidos, póngase en contacto con el distribuidor local Dremel.

Exportado por: © Robert Bosch Tool Corporation Mt. Prospect, IL 60056 -2230, E.U.A.

Importado a México por: Robert Bosch, S. de R.L. de C.V.  
Calle Robert Bosch No. 405 - 50071 Toluca, Edo. de Méx. - México  
Tel. 052 (722) 279 2300 ext 1160 / Fax. 052 (722) 216-6656



**Notes / Remarques / Notas:**

This page was intentionally left blank  
Cette page a été laissée vierge intentionnellement.  
Esta página se dejó intencionalmente en blanco

**Notes / Remarques / Notas:**

This page was intentionally left blank  
Cette page a été laissée vierge intentionnellement.  
Esta página se dejó intencionalmente en blanco

**Notes / Remarques / Notas:**

This page was intentionally left blank  
Cette page a été laissée vierge intentionnellement.  
Esta página se dejó intencionalmente en blanco

