

IMPORTANT
Read Before Using

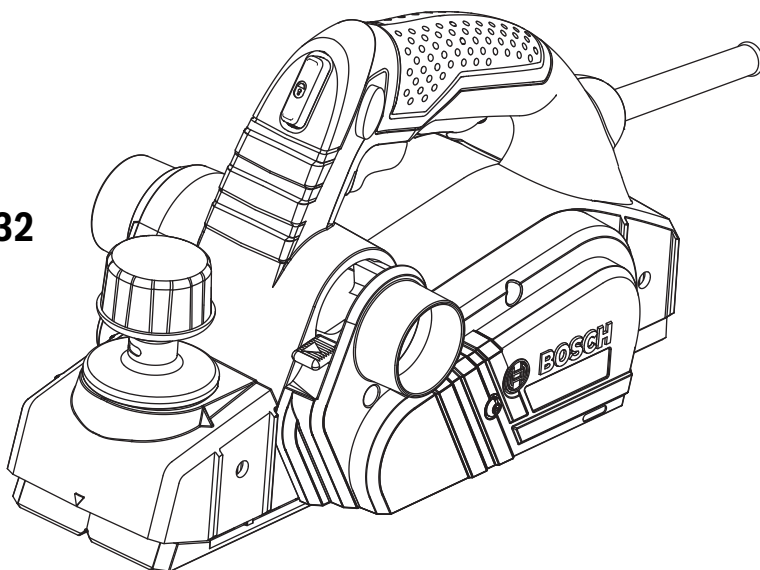
IMPORTANT
Lire avant usage

IMPORTANTE
Leer antes de usar



Operating / Safety Instructions
Consignes d'utilisation/de sécurité
Instrucciones de funcionamiento y seguridad

PL2632



BOSCH

Call Toll Free for Consumer Information and Service Locations

Pour obtenir des informations et les adresses de nos centres de service après-vente, appelez ce numéro gratuit

Lláme gratis para obtener información para el consumidor y ubicaciones de servicio

1-877-BOSCH99 (1-877-267-2499) www.boschtools.com





For English Version
See page 2

Version française
Voir page 18


Versión en español
Ver la página 37

Safety Symbols

The definitions below describe the level of severity for each signal word. Please read the manual and pay attention to these symbols.

	This is the safety alert symbol. It is used to alert you to potential personal injury hazards. Obey all safety messages that follow this symbol to avoid possible injury or death.
	DANGER indicates a hazardous situation which, if not avoided, will result in death or serious injury.
	WARNING indicates a hazardous situation which, if not avoided, could result in death or serious injury.
	CAUTION indicates a hazardous situation which, if not avoided, could result in minor or moderate injury.

General Power Tool Safety Warnings

 **Read all safety warnings, instructions, illustrations and specifications provided with this power tool.** Failure to follow all instructions listed below may result in electric shock, fire and/or serious injury.

SAVE ALL WARNINGS AND INSTRUCTIONS FOR FUTURE REFERENCE

The term “power tool” in the warnings refers to your mains-operated (corded) power tool or battery-operated (cordless) power tool.

► Work area safety

Keep work area clean and well lit. Cluttered or dark areas invite accidents.

Do not operate power tools in explosive atmospheres, such as in the presence of flammable liquids, gases or dust. Power tools create sparks which may ignite the dust or fumes.

Keep children and bystanders away while operating a power tool. Distractions can cause you to lose control.

► Electrical safety

Power tool plugs must match the outlet. Never modify the plug in any way. Do not use any adapter plugs with earthed (grounded) power tools. Unmodified plugs and matching outlets will reduce risk of electric shock.

Avoid body contact with earthed or grounded surfaces, such as pipes, radiators, ranges and refrigerators. There is an increased risk of electric shock if your body is earthed or grounded.

Do not expose power tools to rain or wet conditions. Water entering a power tool will increase the risk of electric shock.

Do not abuse the cord. Never use the cord for carrying, pulling or unplugging the power tool. Keep cord away from heat, oil, sharp edges or moving parts. Damaged or entangled cords increase the risk of electric shock.

When operating a power tool outdoors, use an extension cord suitable for outdoor use. Use of a cord suitable for outdoor use reduces the risk of electric shock.

If operating a power tool in a damp location is unavoidable, use a Ground Fault Circuit Interrupter (GFCI) protected supply. Use of an GFCI reduces the risk of electric shock.

► Personal safety

Stay alert, watch what you are doing and use common sense when operating a power tool. Do not use a power tool while you are tired or under the influence of drugs, alcohol or medication. A moment of inattention while operating power tools may result in serious personal injury.

Use personal protective equipment. Always wear eye protection. Protective equipment such as dust mask, non-skid safety shoes, hard hat, or hearing

General Power Tool Safety Warnings

protection used for appropriate conditions will reduce personal injuries.

Prevent unintentional starting. Ensure the switch is in the off-position before connecting to power source and / or battery pack, picking up or carrying the tool. Carrying power tools with your finger on the switch or energizing power tools that have the switch on invites accidents.

Remove any adjusting key or wrench before turning the power tool on. A wrench or a key left attached to a rotating part of the power tool may result in personal injury.

Do not overreach. Keep proper footing and balance at all times. This enables better control of the power tool in unexpected situations.

Dress properly. Do not wear loose clothing or jewelry. Keep your hair, clothing and gloves away from moving parts. Loose clothes, jewelry or long hair can be caught in moving parts.

If devices are provided for the connection of dust extraction and collection facilities, ensure these are connected and properly used. Use of dust collection can reduce dust-related hazards.

Do not let familiarity gained from frequent use of tools allow you to become complacent and ignore tool safety principles. A careless action can cause severe injury within a fraction of a second.

► Power tool use and care

Do not force the power tool. Use the correct power tool for your application. The correct power tool will do the job better and safer at the rate for which it was designed.

Do not use the power tool if the switch does not turn it on and off. Any power tool that cannot be controlled with the switch is dangerous and must be repaired.

Disconnect the plug from the power source and/or remove the battery pack, if detachable, from the power tool before making any adjustments, changing accessories, or storing power tools. Such preventive safety measures reduce the risk of starting the power tool accidentally.

Store idle power tools out of the reach of children and do not allow persons unfamiliar with the power tool or these instructions to operate the power tool. Power tools are dangerous in the hands of untrained users.

Maintain power tools and accessories. Check for misalignment or binding of moving parts, breakage of parts and any other condition that may affect the power tool's operation. If damaged, have the power tool repaired before use. Many accidents are caused by poorly maintained power tools.

Keep cutting tools sharp and clean. Properly maintained cutting tools with sharp cutting edges are less likely to bind and are easier to control.

Use the power tool, accessories and tool bits etc. in accordance with these instructions, taking into account the working conditions and the work to be performed. Use of the power tool for operations different from those intended could result in a hazardous situation.

Keep handles and grasping surfaces dry, clean and free from oil and grease. Slippery handles and grasping surfaces do not allow for safe handling and control of the tool in unexpected situations.

► Service

Have your power tool serviced by a qualified repair person using only identical replacement parts. This will ensure that the safety of the power tool is maintained.

Safety Rules for Planers

Wait for the cutter to stop before setting the tool down. An exposed rotating cutter may engage the surface leading to possible loss of control and serious injury.

Hold the power tool by insulated gripping surfaces only, because the cutter may contact its own cord. Cutting a "live" wire may make exposed metal parts of the tool

"live" and could give the operator an electric shock.

Use clamps or another practical way to secure and support the workpiece to a stable platform. Holding the workpiece by your hand or against the body leaves it unstable and may lead to loss of control.

Always start the planer before blade is in

Safety Rules for Planers

contact with the workpiece and allow the blade to come to full speed. Tool can vibrate or chatter if blade speed is too slow at beginning of cut and possibly kickback.

Check the workpiece for nails, if there are nails, either remove or set them well below intended finished surface. If the planer blades strike objects like nails it may cause the tool to kickback and serious personal injury may result.

Unplug the planer before changing accessories. Before plugging the tool in, check that the trigger lock is "OFF". Accidental start-ups may occur if planer is plugged in while changing an accessory.

After changing blades, rotate the blade drum to make sure blades are not hitting any part of the blade head housing and the blade locking screws are tight. Spinning blades could strike tool housing and damage tool as well as possible injury.

Always hold the tool firmly with both hands for maximum control.

Never pull the planer backward over the workpiece. Loss of control may occur.

Do not put fingers or any objects into the shavings exhaust port or clean out shavings while tool is running. Contact with blade drum will cause injury.

Remove plug from power source if it becomes necessary to remove chips. The blades are hidden from view and you may be cut if blade is contacted.

Never use dull or damaged blades. Sharp blades must be handled with care. Damaged blades can snap during use. Dull blades require more force to push the tool, possibly causing the blade to break.

Additional Safety Warnings

GFCI and personal protection devices like electrician's rubber gloves and footwear will further enhance your personal safety.

Do not use AC only rated tools with a DC power supply. While the tool may appear to work, the electrical components of the AC rated tool are likely to fail and create a hazard to the operator.

Keep handles dry, clean and free from oil and grease. Slippery hands cannot safely control the power tool.

Develop a periodic maintenance schedule for your tool. When cleaning a tool be careful not to disassemble any portion of the tool since internal wires may be misplaced or pinched or safety guard return springs may be improperly mounted. Certain cleaning agents such as gasoline, carbon tetrachloride, ammonia, etc. may damage plastic parts.

Risk of injury to user. The power cord must only be serviced by a Bosch Factory Service Center or Authorized Bosch Service Station.





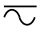


⚠ WARNING Some dust created by power sanding, sawing, grinding, drilling, and other construction activities contains chemicals known to cause cancer, birth defects or other reproductive harm. Some examples of these chemicals are:

- Lead from lead-based paints,
- Crystalline silica from bricks and cement and other masonry products, and
- Arsenic and chromium from chemically-treated lumber.

Your risk from these exposures varies, depending on how often you do this type of work. To reduce your exposure to these chemicals: work in a well ventilated area, and work with approved safety equipment, such as those dust masks that are specially designed to filter out microscopic particles.

Symbols

Important: Some of the following symbols may be used on your tool. Please study them and learn their meaning. Proper interpretation of these symbols will allow you to operate the tool better and safer.

Symbol	Designation / Explanation
V	Volts (voltage)
Ah	Amp hour (measurement of battery capacity)
A	Amperes (current)
Hz	Hertz (frequency, cycles per second)
W	Watt (power)
kg	Kilograms (weight)
min	Minutes (time)
s	Seconds (time)
∅	Diameter (size of drill bits, grinding wheels, etc.)
n_0	No load speed (rotational speed at no load)
n	Rated speed (maximum attainable speed)
.../min	Revolutions or reciprocation per minute (revolutions, strokes, surface speed, orbits etc. per minute)
0	Off position (zero speed, zero torque...)
1, 2, 3, ... I, II, III,	Selector settings (speed, torque or position settings. Higher number means greater speed)
	Infinitely variable selector with off (speed is increasing from 0 setting)
	Arrow (action in the direction of arrow)
	Alternating current (type or a characteristic of current)
	Direct current (type or a characteristic of current)
	Alternating or direct current (type or a characteristic of current)
	Class II construction (designates double insulated construction tools)
	Earthing terminal (grounding terminal)

Symbols

Important: Some of the following symbols may be used on your tool. Please study them and learn their meaning. Proper interpretation of these symbols will allow you to operate the tool better and safer.

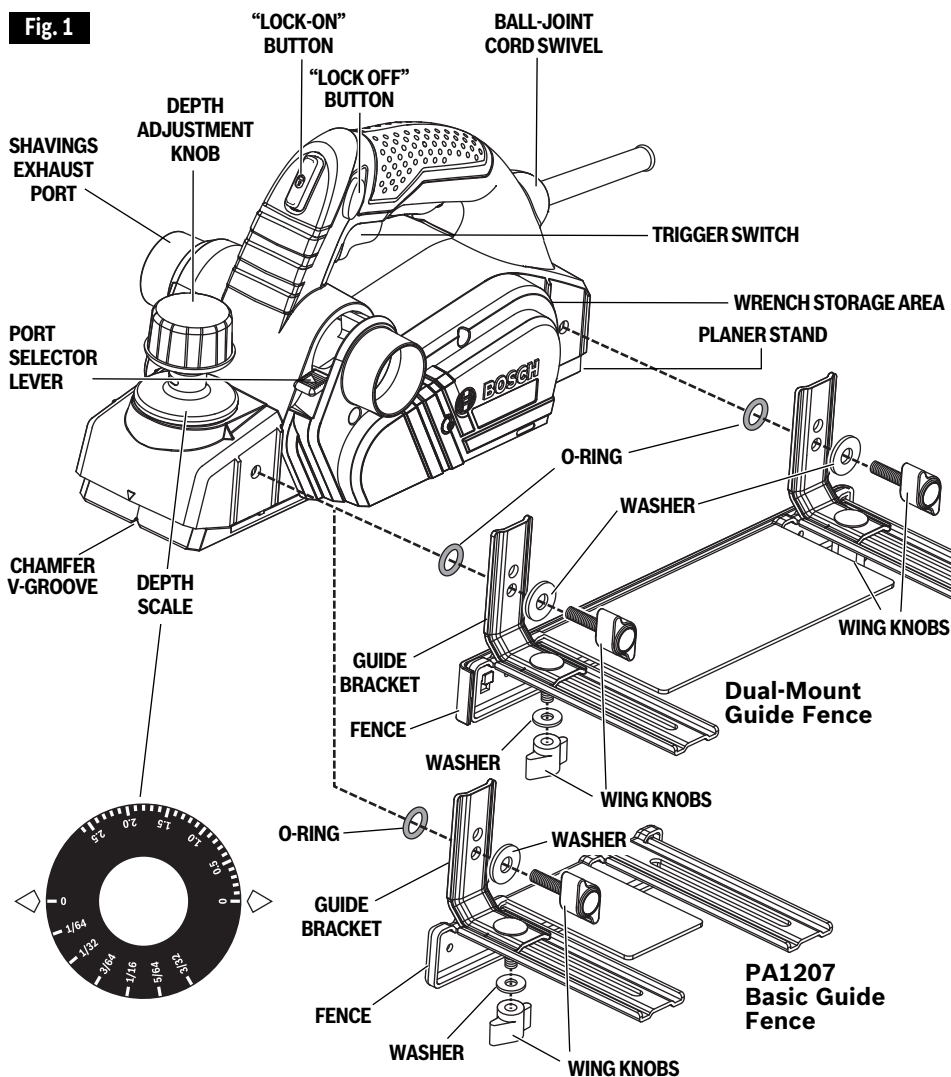
Symbol	Designation / Explanation
	Alerts user to read manual
	Alerts user to wear eye protection
	This symbol designates that this tool is listed by Underwriters Laboratories.
	This symbol designates that this component is recognized by Underwriters Laboratories.
	This symbol designates that this tool is listed by Underwriters Laboratories, to United States and Canadian Standards.
	This symbol designates that this tool is listed by the Canadian Standards Association.
	This symbol designates that this tool is listed by the Canadian Standards Association, to United States and Canadian Standards.
	This symbol designates that this tool is listed by the Intertek Testing Services, to United States and Canadian Standards.
	This symbol designates that this tool complies to NOM Mexican Standards.
	Designates Li-ion battery recycling program
	Designates Ni-Cad battery recycling program

Functional Description and Specifications

WARNING Disconnect the plug from the power source before making any assembly, adjustments or changing accessories. Such preventive safety measures reduce the risk of starting the tool accidentally.

PL2632 Planer

Fig. 1



Maximum Capacities

Planing depth0 - 5/32" (0 - 2.6mm)

Rabbeting depth . .0 - 5/16" (0 - 9mm)

Planing width3-1/4" (82mm)

NOTE: For tool specifications refer to the nameplate on your tool.

Assembly

⚠ WARNING Disconnect the plug from the power source before making any assembly, adjustments or changing accessories. Such preventive safety measures reduce the risk of starting the tool accidentally.

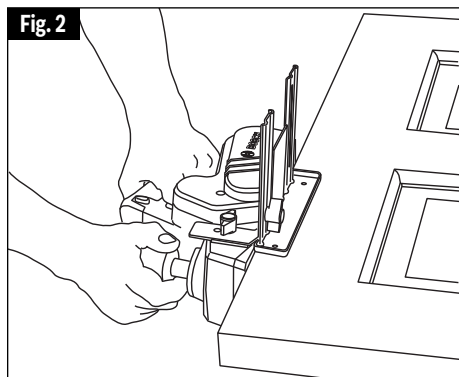
► Purposes of Guide Fences

The Bosch planer guide fences all have a protective shield that covers the unused section of the blade. Therefore, we recommend always attaching a planer guide fence (except in situations when the planing takes place farther in from the edge of a workpiece than the width of the planer blade and would interfere with the work).

All of the Bosch planer guide fences can be used to control the width of the cut, such as when creating rabbets (See page 12).

All of the Bosch planer guide fences also provide added stability when planing materials that are up to 3-1/4" wide.

The optional dual-mount guide fence is



especially helpful when planing a vertical edge, such as when planing an un-mounted door that is laid flat, such as on saw horses. (Fig. 2)

► Positioning of Guide Fences

For right-handed use, the guide fence should be installed on the left side of the tool. For left-handed use, the guide fence should be installed on the right side of the tool, except when using the planer to create rabbets, which requires the guide fence to be installed on the left side of the tool.

► Installation of Basic Guide Fence

1. Place a wing screw through the bottom hole in the long end of the bracket and screw into the front mount on the appropriate side of the planer and securely tighten wing knob. (The O-ring should be on the backside of the bracket and the flat washer between the back of the knob and the front side of the bracket.)
2. Place the bolt through the top of the hole on the short end of the bracket and then through the slot in the appropriate arm of the fence. Place the flat washer on the bottom of the bolt below the guide fence's arm and then install wing knob. If the washer is not installed, the guide fence is likely to slip.
3. Securely tighten wing knob.

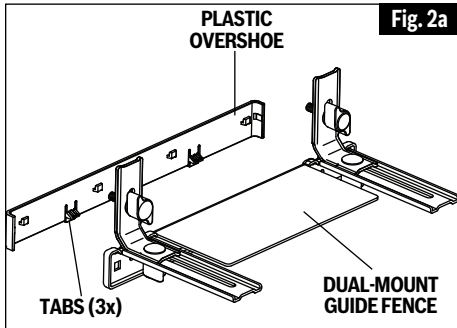
► Installation of Dual-Mount Guide Fences

- This is the same as installing the Basic Guide Fence, except that both brackets are attached to the planer's front mount area and rear mount area (Fig. 1).

► Attachment of Plastic Overshoe to Dual-Mount Guide Fences

- There are two plastic overshoes that can be used with the dual-mount fence, a straight overshoe and 3-degree overshoe (sold separately).
- The PA1209 3-degree bevel plastic overshoe is especially useful when planing the long edges of typical doors.
- The overshoes clip onto the steel fence.
- To remove either overshoe, gently pull tabs on overshoe away from the fence and then move overshoe upward (Fig. 2a).

Assembly



► Shavings Extraction

The PL2632 planer comes with two shavings exhaust ports. Moving the port selector lever to position 1 (towards front of tool) discharges shavings to the left, while position 2 (towards rear of tool) discharges shavings to the right. (Fig. 1).

The planer shavings exhaust port may be used with an optional shavings bag or a shop vacuum and vacuum connector (Fig. 3) to keep your work environment cleaner.

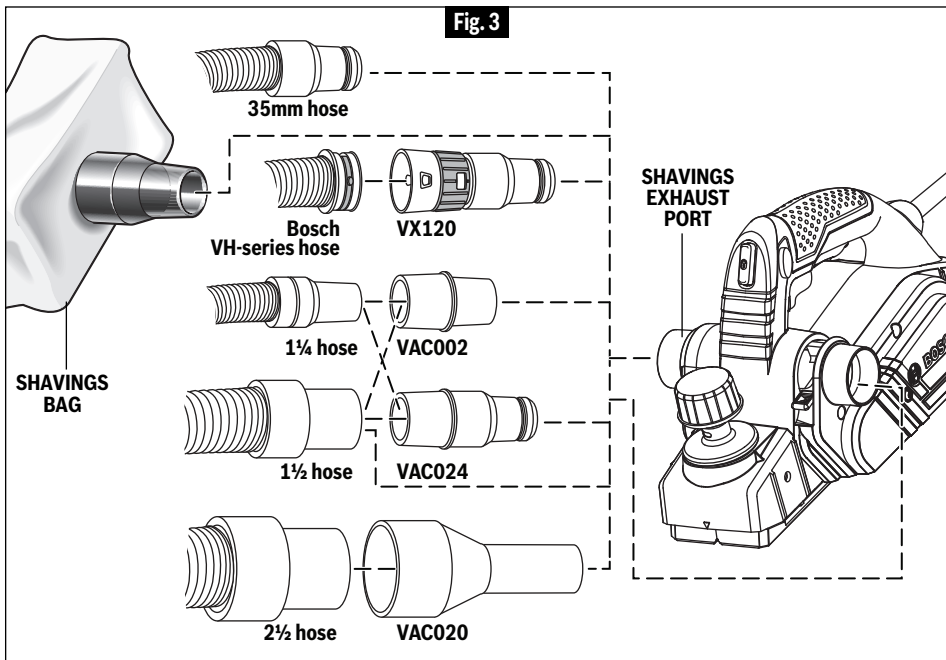
Bosch offers several different vacuum hoses that will connect these tools to Bosch vacuum cleaners. The optional Bosch VAC002 or VAC024 adapters will connect the planer to 1-1/4" and 1-1/2" vacuum hoses, and the optional VAC020 will connect the planer to 2-1/2" hoses.

The vacuum cleaner must be suitable for the material being worked.

When vacuuming dry dust that is especially detrimental to health or carcinogenic, use a special vacuum cleaner / dust extractor.

► Setting The Desired Planing Width

1. Loosen the wing knob(s) that hold the fence onto the brackets guide bracket(s).
2. Slide the fence along the guide bracket(s) to the desired planing width. (When using the dual-mount fence, it may be necessary to raise the planer stand before the desired width can be reached.)
3. Securely tighten wing knobs.



Assembly

► Planer Blades

⚠ WARNING The planer blades are sharp and fragile and must be handled carefully to avoid injury to the user or damage to the blades.

- There are three types of blades that can be used with the Bosch PL2632 planer; standard mini tungsten carbide blades, Bosch Woodrazor micrograin mini tungsten carbide blades (standard equipment with the Bosch PL2632 planer), and large HSS blades.
- While the Bosch PA1202 mini tungsten carbide blades are sharper and more durable than standard mini tungsten carbide blades, the assembly and adjustment of both of Woodrazor and standard tungsten carbide blades are the same. Henceforth, all references in this manual to “mini TC blades” refer to both Woodrazor blades and standard mini tungsten carbide blades.
- To use large HSS blades with the PL2632 it is necessary to purchase optional accessories.

⚠ WARNING Wear protective gloves when changing planer blades. Edges are sharp and may cause injury.

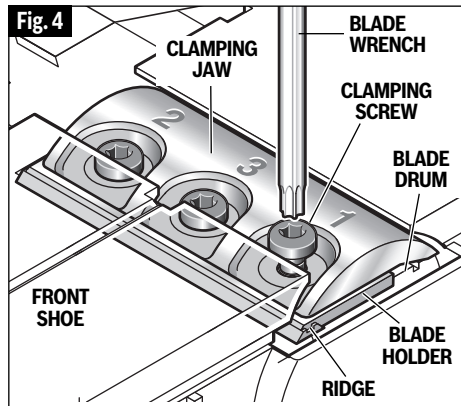
▼ REMOVING MINI TUNGSTEN CARBIDE BLADES

Mini TC planer blades have two cutting edges, and may be reversed when one of the cutting edges becomes dull or chipped. (Fig. 6) Before any work on the machine itself, pull the power plug.

Always change both blades at the same time. Otherwise, imbalance can cause vibration and reduce the useful service life of the tool. Use only blades designated for use with this model, because other blades can cause vibration, decrease performance and may not clamp securely in blade holder. Do not attempt to sharpen or use re-sharpened any TC blades.

To remove the blades:

1. Rotate the blade drum until the clamping jaw is parallel to the planer shoe.
2. Loosen the three clamp screws by about one revolution each. (It is not



necessary to remove the clamping jaw.) (Fig. 4)

3. Slightly rotate the blade drum and use a piece of wood to push the blade sideways and out from under the clamping jaw. Make sure to keep your fingers away from the sharp edges of the blade. If the blade is gummed and difficult to remove, you may clean the blade and clamp with mineral spirits, lacquer thinner or alcohol. (Fig. 5)
4. Rotate the blade drum 180° and repeat the procedure to remove the second blade. Before inserting a new or sharpened blade, clean all surfaces (blades, retainer and drum) with mineral spirits; lacquer thinner or alcohol, as this will ensure an accurate blade setting and proper tool performance.

▼ INSTALLING AND ADJUSTING MINI CARBIDE BLADES

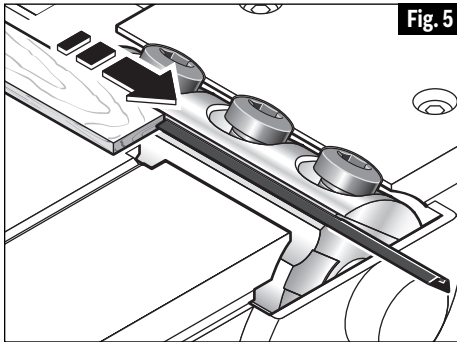
If the blades and/or holder are gummed and difficult to remove, remove the clamping jaws and screws and clean all surfaces with mineral spirits; lacquer thinner or alcohol, as this will ensure an accurate blade setting and proper tool performance. (See REMOVAL OF MINI TC BLADE HOLDERS AND RETAINERS)

To install, carefully slide the blades onto ridges on the blade holders.

To ensure proper operation and an even cut, the blades must be positioned so that they are:

- Centered relative to the front and rear shoes.
- Aligned with each other.

Assembly



- Positioned so that they will not touch against any part of the planer when rotated.
- Evenly pressed back toward the holder to ensure that they are level.

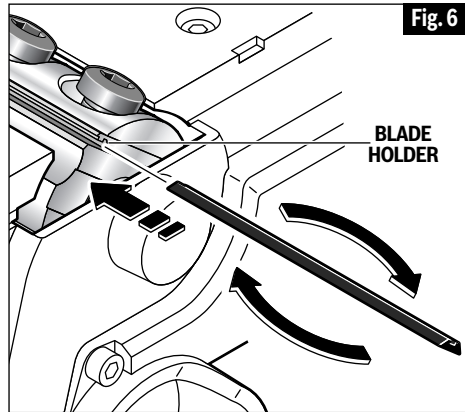
▼ INSTALLATION PROCEDURE

1. Align the groove on top of the blade with the ridge of the blade holder and carefully slide the blade onto the blade holder, as shown in Figure 6.
2. Using a block of wood push the TC blade back towards the blade holder so that the inner side of the blade is pressed against the sloping part of the blade holder. (This will ensure that the blades are level.)
3. Then tighten the Torx clamping screws using the correct tightening sequence (1, 2, 3), as shown in Figure 4, and your planer is ready for use.

Blade Retainer Screws - Under normal circumstances, the position of the retainer on the mini TC blade holders does not require readjustment. If fact, the screws that attach the retainer to the blade holder are factory sealed with a yellow fastening compound that should not be disturbed. However, if you believe that adjustments must be made, proper adjustment is critical, and it is best performed by a Bosch Factory Service or Bosch Authorized Service Center.

▼ CONVERSION TO HIGH-SPEED STEEL BLADES

The PL2632 Planer can be converted to accept large HSS blades. The conversion requires the optional PA1204 HSS Blades with Retainers (pair). (Fig. 7) Additional pairs of HSS blade, the



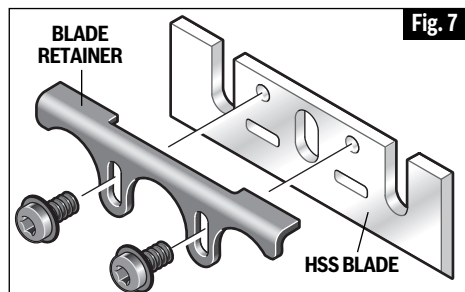
PA1205 large HSS blades, can also be purchased separately.

▼ REMOVAL OF MINI TC BLADE HOLDERS AND RETAINERS

1. Rotate the blade drum until the clamping jaw is parallel to the planer shoe.
2. Loosen the three clamp screws completely and remove the screws and clamping jaw.
3. Slightly rotate the blade drum and use a piece of wood to push the blade, holder and retainer off of the blade drum. Make sure to keep your fingers away from the sharp edges of the blade. If the blade is gummed and difficult to remove, you may clean the blade and clamp with mineral spirits, lacquer thinner or alcohol.
4. Rotate the blade drum 180° and repeat the procedure to remove the second blade.

▼ INSTALLING AND ADJUSTING HSS BLADES AND RETAINERS

Before inserting a new or sharpened blade, clean all surfaces (blades,



Assembly

retainer and drum) with mineral spirits; lacquer thinner or alcohol, as this will ensure an accurate blade setting and proper tool performance.

New or re-sharpened planer blades must be properly leveled before installation using the optional PA1206 HSS Blade Leveling Fixture. (The PA1204 HSS Blades with Retainers are leveled at the factory.)

To ensure proper operation and an even cut, the blades must be positioned so that they are:

- Centered relative to the front and rear shoes.
- Aligned with each other.
- Positioned so that they will not touch against any part of the planer when rotated.

Procedure:

1. To install the blades, carefully slide the blade/retainer assembly sideways to over one of the two clamping areas on the blade drum. The retainer must engage in the groove. (Fig. 8)
2. Place a properly-oriented clamping jaw over the blade. (Fig. 4)
3. Tighten the three clamp screws with the Torx key using the correct tightening sequence (1, 2, 3). (Fig. 4)
4. Rotate the blade drum 180° and repeat the procedure for the second blade clamp.

▼ REMOVING LARGE HSS BLADES

To remove the blades:

1. Rotate the blade drum until the clamping jaw is parallel to the planer shoe.
2. Loosen and remove the three clamp screws with the Torx key.
3. Also remove the clamping jaw.
4. Slightly rotate the blade drum and use a piece of wood to push the blade and retainer sideways and out of the blade drum. Make sure to keep your fingers away from the sharp edges of the blade. If the blade is gummed and difficult to remove, you may clean the blade and clamp with mineral spirits, lacquer thinner or alcohol.

Rotate the blade drum 180° and repeat the procedure to remove the second blade.

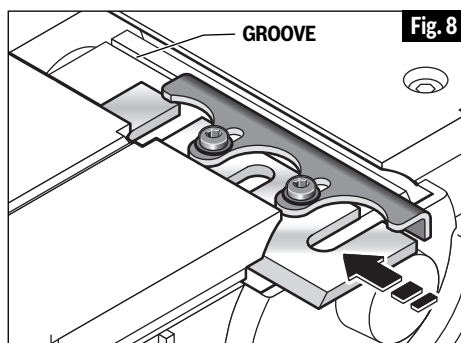


Fig. 8

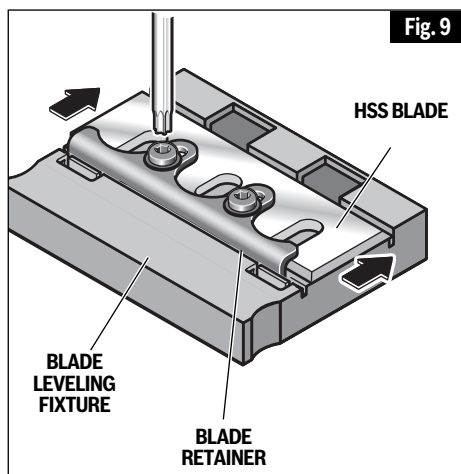


Fig. 9

▼ RESHARPENING HSS BLADES

Worn or dull HSS planer blades can be resharpened. The optimal blade angle of 50° should be maintained when sharpening. Once a total of 6 mm of steel has been removed from tips of the blades, both blades must be replaced because the minimum HSS blade height is 23 mm from back to tip.

▼ LEVELING OF HSS BLADES

A PA1206 HSS Blade Leveling Fixture (optional accessory) is required to level new or resharpened HSS blades. (Not necessary with the PA1204 HSS Blades and Retainers, which are leveled at the factory.)

1. Place the blade and blade retainer on the leveling fixture and make sure that the blade retainer engages in the grooves intended for this purpose. (Fig. 9)
2. Press the planer blade against the

Assembly

stop in front of the cutting edge to achieve the proper depth and evenness (levelness) and with the blade retainer in this position and tighten it with the locking screws. This will automatically adjust the blade to the correct height and

levelness.

3. Tighten the retainer screws.
4. Remove blade and retainer assembly from the leveling fixture.
5. Repeat the procedure for the second blade.

Operating Instructions

⚠ WARNING Disconnect the plug from the power source before making any assembly, adjustments or changing accessories. Such preventive safety measures reduce the risk of starting the tool accidentally.

► Trigger "ON/OFF" Switch

⚠ WARNING Hold the tool with both hands while starting the tool, since torque from the motor can cause the tool to twist.

⚠ WARNING If the "Lock-ON" button is continuously being depressed, the trigger cannot be released.

⚠ WARNING Never leave the trigger locked "ON". Before plugging the tool in, check that the trigger lock is "OFF". Accidental start-ups could cause injury.

⚠ WARNING Be aware of the location and setting of the switch "Lock-ON" button. If the switch is locked "ON" during the use, be ready for emergency situations to switch TO TURN THE TOOL "ON": Depress the "Lock-OFF" button on either side of the tool and squeeze the trigger switch.

TO TURN THE TOOL "OFF": Simply release the trigger switch.

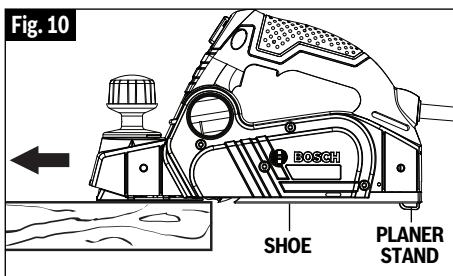
Your planer is also equipped with a "Lock-ON" button located on the front of the handle that allows continuous operation without squeezing the trigger.

TO LOCK THE SWITCH ON: Squeeze trigger switch fully, depress the "Lock-ON" button and release trigger.

TO UNLOCK THE SWITCH: Squeeze trigger switch and release it without depressing the "Lock-ON" button.

► Cord Swivel

The swiveling ball joint on the power cord makes it easy to position the cord in a way that makes it easier to use the tool (Fig. 1).



► Planing Action

Proper planing action helps to achieve the desired result. With practice and experience, it will become second nature. Make sure that the workpiece is held in place securely on your work surface, and standing comfortably, hold the planer firmly with both hands.

1. With the planer fully adjusted, place the front shoe on the workpiece, (be certain that the blade drum is not in contact with the work) and start the planer as described earlier.
2. With pressure on the front shoe, and the fence against the side of the work (to control the width or angle,) feed the planer steadily until the full length of the rear shoe passes over the edge of the workpiece. (Fig. 10)
3. Then gradually transfer pressure to the rear shoe, and continue planing to the end of the cut.
4. If pressure is not maintained over the rear shoe through the end of the cut, a divot may be created in the workpiece once the front shoe clear the end of the workpiece. To minimize this possibility, use a 3-way edge clamp to hold a piece of scrap wood (at least 1-1/2" (38 mm) thick) on the end of the workpiece, aligned

Operating Instructions

with the surface to be planed (Fig. 11). Doing this moves the location of a potential divot off the workpiece and on to the piece of scrap wood.

5. Feed the planer at a uniform and reasonable rate that does not put excessive strain on the motor or blades, (do not pull the planer back over the surface already cut.)
6. Use progressive cuts until you are near the desired depth, and then re-adjust to a thin cut for the final pass to obtain a good surface finish.

CAUTION The motor may stall if improperly used or overloaded. Reduce the pressure (feed rate) or depth of cut to prevent possible damage to the tool if the motor labors.

► Depth Of Cut And Feed Rate

The cutting depth (planing depth) is determined by the difference in height between the adjustable front shoe and the fixed rear shoe of the planer. The depth knob adjusts the front shoe, which retracts and exposes the blade and determines the amount of material removed from the workpiece. The cutting depth range is from 0 to 3/32" (2.6 mm) per pass. (Fig. 1)

The appropriate depth of cut and feed rate depends on the workpiece material: To avoid clogging and/or damage to the motor, a thinner cut and/or a slower feed rate may be needed if the material has any of these characteristics: hardness; gumminess, sappiness, moisture, paint, varnish and/or knots. Also, when planing against the grain or across the grain rather than with the grain, a shallower cut and/or slower feed rate is required. Whenever possible, test by planing a similar piece of scrap material.

Use multiple, progressive cuts to achieve the total desired depth.

Start with a thin cut. If the planer moves freely through the workpiece with no excessive load on the motor, the depth setting can be increased before the next cut.

When near the desired total depth, re-adjust the planing depth to a thin setting for the final cut to obtain a good surface finish.

Fig. 11

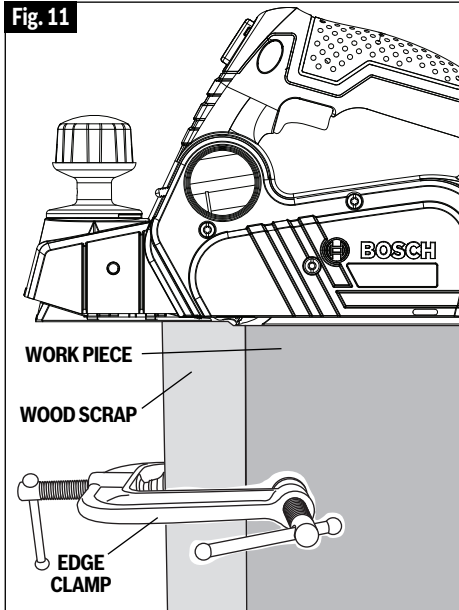


Fig. 12

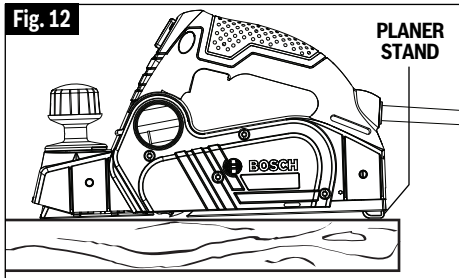
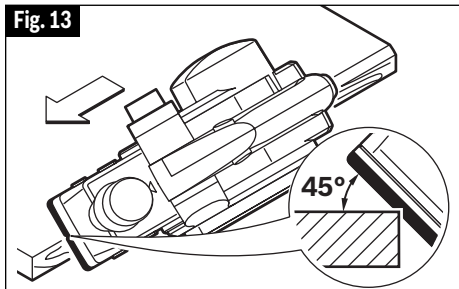


Fig. 13



Adjusting the Depth of Cut: Rotate depth adjustment knob until the indicator is aligned with the desired cutting depth on the depth scale (Fig. 1).

Operating Instructions

► Planer Stand

The planer stand automatically springs down to help keep the blade from coming in contact with the work surface when planer is not in use (Fig. 12). The planer stand is designed to swing up and out of the way by itself when the back of the planer crosses the leading edge of the workpiece (Fig. 10). It will also swing up when planing begins in the middle of the work piece (in from the edge of the work piece).

► Beveling Edges

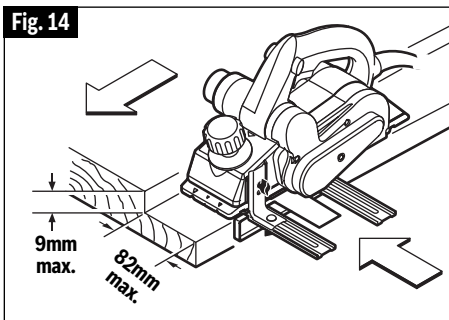
The V-groove in the front planer base plate allow quick and easy beveling of workpiece edges. (Fig. 13).

► Rabbeting

Although all of the compatible Bosch planer guide fences can be used with the PL2632 for rabbeting (sometimes called "shiplapping"), the best fence for this purpose is the optional dual-mount fence.

The PL2632 can create rabbets up to 82 mm / 3-1/2" wide. (Fig. 14). Keep in mind that it takes steady sideways pressure and many passes to create rabbets using a planer.

Fig. 14



► Unclogging the Shavings Exhaust System

⚠ WARNING Remove plug from power source if it becomes necessary to manually remove shavings. The blades are hidden from view and you may be cut if contacted.

To minimize the possibility of clogging, make sure:

1. The depth of cut is reasonable for the material.
2. The feed rate is reasonable for the material. (See DEPTH OF CUT AND FEED RATE)
3. Unplug the planer and carefully insert a screwdriver or similar object into the exhaust port to break up the clog.

Maintenance

⚠ WARNING To avoid accidents, always disconnect the tool and/or charger from the power supply before servicing or cleaning.

► Service

⚠ WARNING Preventive maintenance performed by unauthorized personnel may result in misplacing of internal wires and components which could cause serious hazard. We recommend that all tool service be performed by a Bosch Factory Service Center or Authorized Bosch Service Station.

► Tool Lubrication

Your Bosch tool has been properly lubricated and is ready to use. It is recommended that tools with gears be regreased with a special gear lubricant at every brush change.

► Carbon Brushes

The brushes and commutator in your tool have been engineered for many hours of dependable service. To maintain peak efficiency of the motor, we recommend every two to six months the brushes be examined. Only genuine Bosch replacement brushes specially designed for your tool should be used.

► Bearings

Bearings which become noisy (due to heavy load or very abrasive material cutting) should be replaced at once to avoid overheating or motor failure.

► Cleaning

⚠ CAUTION Certain cleaning agents and solvents damage plastic parts. Some of these are: gasoline, carbon tetrachloride, chlorinated cleaning solvents, ammonia and household detergents that contain ammonia.

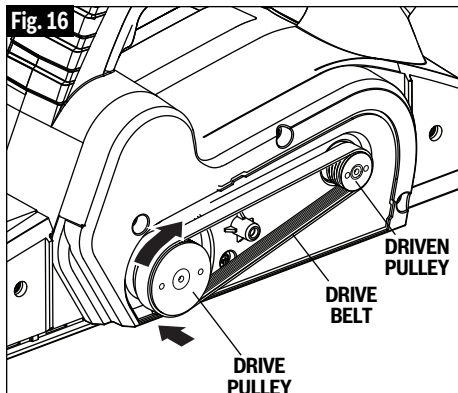
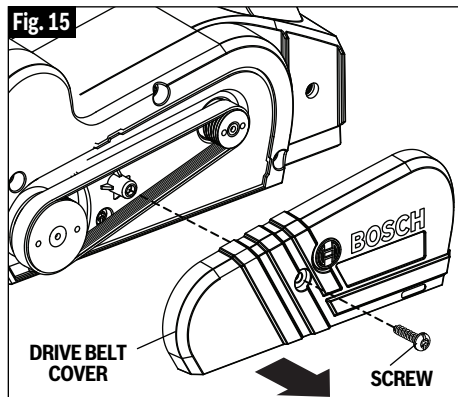
Clean the planer stand regularly and ensure that it springs back freely.

Ventilation openings and switch levers must be kept clean and free of foreign matter. Do not attempt to clean by inserting pointed objects through openings.

► Drive Belt

The drive belt is a normal maintenance part and should be inspected periodically for wear. If the drive belt shows signs of drying out, cracking or tearing, it should be replaced. If the drive belt will not track properly or comes off the pulleys, it should be replaced.

Installing new drive belt: Loosen screw and remove the drive belt cover (Fig. 15). Cut and remove the worn drive belt. Before installing the new drive belt, clean both pulleys thoroughly. First place the new drive belt onto the drive pulley then rotate clockwise while pushing the belt onto the driven pulley (Fig. 16). Reinstall the drive belt cover and securely tighten screw (Fig. 15).



Extension Cords

⚠ WARNING If an extension cord is necessary, a cord with adequate size conductors that is capable of carrying the current necessary for your tool must be used. This will prevent excessive voltage drop, loss of power or overheating. Grounded tools must use 3-wire extension cords that have 3-prong plugs and receptacles.

NOTE: The smaller the gauge number, the higher the cord capacity.

RECOMMENDED SIZES OF EXTENSION CORDS 120 VOLT ALTERNATING CURRENT TOOLS

Tool's Ampere Rating	Cord Size in A.W.G.				Wire Sizes in mm ²			
	Cord Length in Feet				Cord Length in Meters			
	25	50	100	150	15	30	60	120
3-6	18	16	16	14	0.75	0.75	1.5	2.5
6-8	18	16	14	12	0.75	1.0	2.5	4.0
8-10	18	16	14	12	0.75	1.0	2.5	4.0
10-12	16	16	14	12	1.0	2.5	4.0	-
12-16	14	12	-	-	-	-	-	-

Accessories and Attachments





⚠ WARNING The use of any other attachments or accessories not specified in this manual may create a hazard.

Store accessories in a dry and temperate environment to avoid corrosion and deterioration.

Description	Included	Sold Separately
Accessories		
Torx 30 blade wrench	●	●
PA1202 Woodrazor reversible micro-grain tungsten carbide blade (2)	●	●
PA1204 HSS blades with retainers	-	●
PA1205 Large HSS blades	-	●
PA1206 Fixture for leveling Large HSS planer blade	-	●
Attachments		
PA1207 Standard guide fence	-	●
Dual-mount guide fence with plastic overshoe	-	●
Vacuum hose adapters	-	●
Vacuum hoses	-	●
Shavings bag	-	●
PA1209 3-degree bevel overshoe for dual-mount fence	-	●

Symboles relatifs à la sécurité

Les définitions ci-dessous décrivent le niveau de gravité pour chaque terme signalant un danger. Veuillez lire le mode d'emploi et lire la signification de ces symboles.

	C'est le symbole d'alerte relatif à la sécurité. Il est utilisé pour vous avertir de l'existence possible d'un danger de lésion corporelle. Obéissez à tous les messages relatifs à la sécurité qui suivent ce symbole pour éviter tout risque de blessure ou même de mort.
	DANGER indique une situation dangereuse qui, si elle n'est pas évitée, causera la mort d'une personne ou une blessure grave.
	AVERTISSEMENT indique une situation dangereuse qui, si elle n'est pas évitée, pourrait causer la mort d'une personne ou une blessure grave.
	MISE EN GARDE indique une situation dangereuse qui, si elle n'est pas évitée, causera une blessure légère ou modérée.

Avertissements généraux concernant la sécurité des outils électroportatifs

AVERTISSEMENT Lisez toutes les consignes de sécurité, instructions, illustrations et spécifications fournies avec cet outil électrique. Le non-respect de toutes les instructions figurant ci-après pourrait causer un choc électrique, un incendie et/ou des blessures graves.

CONSERVEZ TOUS LES AVERTISSEMENTS ET TOUTES LES CONSIGNES DE SÉCURITÉ POUR RÉFÉRENCE FUTURE.

Dans les avertissements, le terme « outil électroportatif » se rapporte à votre outil branché sur le secteur (avec fil) ou à votre outil alimenté par piles (sans fil).

► Sécurité du lieu de travail

Maintenez le lieu de travail propre et bien éclairé. Les risques d'accident sont plus élevés quand on travaille dans un endroit encombré ou sombre.

N'utilisez pas d'outils électroportatifs dans des atmosphères explosives, comme par exemple en présence de gaz, de poussières ou de liquides inflammables. Les outils électroportatifs produisent des étincelles qui risquent d'enflammer les poussières ou les vapeurs.

Éloignez les enfants et les visiteurs quand vous vous servez d'un outil électroportatif. Vous risquez une perte de contrôle si on vous distrait.

► Sécurité électrique

Les fiches des outils électroportatifs doivent correspondre à la prise. Il ne faut absolument jamais modifier la fiche. N'utilisez pas d'adaptateur de prise avec des outils électroportatifs munis d'une fiche de terre. Le risque de choc électrique

est moindre si on utilise une fiche non modifiée sur une prise qui lui correspond.

Évitez tout contact du corps avec des surfaces reliées à la terre tels que tuyaux, radiateurs, gazinières ou réfrigérateurs. Le risque de choc électrique augmente si votre corps est relié à la terre.

N'exposez pas les outils électroportatifs à la pluie ou à l'humidité. Si de l'eau pénètre dans un outil électroportatif, le risque de choc électrique augmente.

Ne maltraitez pas le cordon. Ne vous en servez jamais pour transporter l'outil électroportatif, pour le tirer ou pour le débrancher. Éloignez le cordon de la chaleur, des huiles, des arêtes coupantes ou des pièces mobiles. Les cordons abîmés ou emmêlés augmentent les risques de choc électrique.

Si vous utilisez un outil électroportatif à l'extérieur, employez une rallonge conçue pour l'extérieur. Ces rallonges sont faites pour l'extérieur et réduisent le risque de choc électrique.

S'il est absolument nécessaire d'utiliser l'outil électroportatif dans un endroit

Avertissements généraux concernant la sécurité des outils électroportatifs

humide, utilisez une alimentation protégée par un disjoncteur de fuite de terre (GFCI). L'utilisation d'un disjoncteur GFCI réduit les risques de choc électrique.

► Sécurité personnelle

Restez concentré, faites attention à ce que vous faites, et servez-vous de votre bon sens lorsque vous utilisez un outil électroportatif. N'employez pas d'outils électroportatifs quand vous êtes fatigué ou sous l'emprise de drogues, d'alcool ou de médicaments. Quand on utilise des outils électroportatifs, il suffit d'un moment d'inattention pour causer des blessures corporelles graves.

Utilisez des équipements de sécurité personnelle. Portez toujours une protection oculaire. Le port d'équipements de sécurité tels que des masques antipoussières, des chaussures de sécurité antidérapantes, des casques de chantier et des protecteurs d'oreilles dans des conditions appropriées réduira le risque de blessure corporelle.

Évitez les démarrages intempestifs. Assurez-vous que l'interrupteur est dans la position arrêté (Off) avant de brancher l'outil dans une prise de courant et/ou un bloc-piles, de le ramasser ou de le transporter. Le transport d'un outil électroportatif avec le doigt sur la gâchette ou le branchement de cet outil quand l'interrupteur est en position de marche (ON) est une invite aux accidents.

Enlevez toutes les clés de réglage avant de mettre l'outil électroportatif en marche. Si on laisse une clé sur une pièce tournante de l'outil électroportatif, il y a risque de blessure corporelle.

Ne vous penchez pas. Conservez toujours une bonne assise et un bon équilibre. Ceci vous permettra de mieux maîtriser l'outil électroportatif dans des situations inattendues.

Habillez-vous de manière appropriée. Ne portez pas de vêtements amples ou de bijoux. Attachez les cheveux longs. N'approchez pas les cheveux, les vêtements ou les gants des pièces en mouvement. Les vêtements amples, les bijoux ou les cheveux longs risquent d'être happés par les pièces en mouvement.

Si l'outil est muni de dispositifs permettant le raccordement d'un système d'aspiration et de collecte des poussières,

assurez-vous que ces dispositifs sont raccordés et utilisés correctement. L'utilisation d'un dépoussiéreur peut réduire les dangers associés à l'accumulation de poussière.

Ne laissez pas la familiarité résultant de l'utilisation fréquente des outils vous inciter à devenir complaisant(e) et à ignorer les principes de sécurité des outils. Une action négligente pourrait causer des blessures graves en une fraction de seconde.

► Utilisation et entretien des outils électroportatifs

Ne forcez pas sur l'outil électroportatif. Utilisez l'outil électroportatif qui convient à la tâche à effectuer. L'outil qui convient à la tâche fait un meilleur travail et est plus sûr à la vitesse pour lequel il a été conçu.

Ne vous servez pas de l'outil électroportatif si son interrupteur ne parvient pas à le mettre en marche ou à l'arrêter. Tout outil électroportatif qui ne peut pas être commandé par son interrupteur est dangereux et doit être réparé.

Débranchez la fiche de la prise secteur et/ou retirez le bloc-piles de l'outil électrique (s'il est amovible) avant d'y apporter de quelconques modifications, de changer d'accessoire ou de ranger l'outil électrique. De telles mesures de sécurité préventive réduisent le risque de démarrage intempestif de l'outil électroportatif.

Rangez les outils électroportatifs dont vous ne vous servez pas hors de portée des enfants et ne permettez pas à des personnes qui ne connaissent pas l'outil électroportatif ou qui ignorent ces consignes de s'en servir. Les outils électroportatifs sont dangereux dans les mains d'utilisateurs inexpérimentés.

Entretenez de façon appropriée les outils électriques et les accessoires. Vérifiez que les pièces mobiles sont alignées correctement et ne coïncent pas. Vérifiez qu'il n'y a pas de pièces cassées ou d'autre circonstance qui risquent d'affecter le fonctionnement de l'outil électroportatif. Si l'outil est abîmé, faites-le réparer avant de l'utiliser. De nombreux accidents sont causés par des outils électroportatifs mal entretenus.

Maintenez les outils coupants affûtés et propres. Les outils coupants entretenus

Avertissements généraux concernant la sécurité des outils électroportatifs

correctement et dotés de bords tranchants affûtés sont moins susceptibles de coincer et sont plus faciles à maîtriser.

Utilisez l'outil électroportatif, les accessoires et les embouts d'outil, etc. conformément à ces instructions, en tenant compte des conditions de travail et des travaux à réaliser. L'emploi d'outils électroportatifs pour des tâches différentes de celles pour lesquelles ils ont été prévus peut résulter en une situation dangereuse.

Gardez les poignées et les surfaces de préhension propres, sèches et exemptes de toute trace d'huile ou de graisse. Les poignées et les surfaces de préhension glissantes ne permettent pas une manipulation et un contrôle sûrs de l'outil dans des situations inattendues.

► Entretien

Faites réparer votre outil électroportatif par un agent de service qualifié n'utilisant que des pièces de rechange identiques. Ceci assure que la sécurité de l'outil électroportatif est préservée.

Consignes de sécurité pour les rabots

Attendez que le couteau se soit arrêté pour poser l'outil. Un couteau exposé pourrait entrer en contact avec la surface, faire perdre le contrôle et causer une blessure grave.

Tenez l'outil électroportatif par les surfaces de préhension isolées, parce que le couteau pourrait entrer en contact avec son propre cordon. Le contact avec un fil sous tension risquerait de mettre les pièces métalliques exposées de l'outil sous tension et de causer un choc électrique à l'opérateur.

Utilisez des brides ou d'autres moyens pratiques de brider ou de supporter la pièce sur une plate-forme stable. Si vous tenez l'ouvrage avec vos mains ou contre votre corps, ceci le rendra instable et pourrait causer une perte de contrôle.

Démarrez toujours le rabot et laissez-le monter en régime avant de mettre le fer en contact avec la pièce. L'outil risque de vibrer ou de sursauter si la vitesse du fer est trop faible quand on commence le rabotage et il risque de reculer brutalement.

Vérifiez que la pièce est exempte de clous. S'il y a des clous, enlevez-les ou chassez-les bien en dessous de la dimension souhaitée pour la surface terminée. Si les fers du rabot rencontrent des objets tels que des clous, l'outil risque de reculer brutalement et de causer des blessures corporelles graves.

Débranchez le rabot avant de changer tout accessoire. Avant de brancher l'outil,

vérifiez que la gâchette est sur la position « arrêt » (OFF). Si le rabot reste branché quand on change un accessoire, il y a risque de démarrage intempestif.

Après avoir changé les fers, faites tourner le cylindre porte-fers (tambour) pour vérifier que les fers ne touchent aucune partie du carter et que les vis de blocage des fers sont serrées. Les fers en rotation risquent de heurter le carter de l'outil et d'abîmer celui-ci. Ils risquent aussi de causer des blessures.

Tenez toujours l'outil fermement à deux mains pour mieux le maîtriser.

Ne tirez jamais le rabot vers l'arrière sur la surface de la pièce. Vous risquez d'en perdre le contrôle.

Ne mettez pas les doigts ou un objet quelconque dans le raccord d'évacuation des copeaux, et ne nettoyez pas les copeaux pendant que l'outil est en marche. Tout contact avec le tambour causera une blessure.

Débranchez la prise s'il devenait nécessaire de dégager les copeaux. Les fers sont cachés et ils risquent de vous couper si vous les touchez.

N'utilisez jamais de fers émoussés ou abîmés. Manipulez les fers affûtés avec précaution. Les fers abîmés risquent de se briser pendant l'utilisation. Les fers émoussés nécessitent plus d'effort pour pousser l'outil, ce qui risque de provoquer la cassure du fer.

Avertissements supplémentaires concernant la sécurité

L'emploi d'un GFCI et de dispositifs de protection personnelle tels que gants et chaussures d'électricien en caoutchouc améliorent votre sécurité personnelle.

N'utilisez pas un outil conçu uniquement pour le C.A. sur une alimentation en C.C. Même si l'outil semble fonctionner, les composants électriques d'un outil prévu pour le C.A. tomberont probablement en panne et risquent de créer un danger pour l'utilisateur.

Maintenez les poignées sèches et exemptes d'huile et de graisse. On ne peut pas maîtriser un outil électroportatif en toute sécurité quand on a les mains glissantes.

Créez un agenda d'entretien périodique pour votre outil. Quand vous nettoyez un outil, faites attention de n'en démonter aucune pièce car il est toujours possible de mal remonter ou de pincer les fils internes ou de remonter incorrectement les ressorts de rappel des capots de protection. Certains agents de nettoyage tels que l'essence, le tétrachlorure de carbone, l'ammoniaque, etc. risquent d'abîmer les plastiques.

Risque de blessure pour l'utilisateur. Le cordon d'alimentation électrique ne doit être réparé que par un Centre de service usine de Bosch ou par une Station service agréée de Bosch.





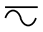


⚠ AVERTISSEMENT Les travaux à la machine tel que ponçage, sciage, meulage, perçage et autres travaux du bâtiment peuvent créer des poussières contenant des produits chimiques qui sont des causes reconnues de cancer, de malformation congénitale ou d'autres problèmes reproductifs. Ces produits chimiques sont, par exemple :

- Le plomb provenant des peintures à base de plomb,
- Les cristaux de silices provenant des briques et du ciment et d'autres produits de maçonnerie, et
- L'arsenic et le chrome provenant des bois traités chimiquement.

Le niveau de risque dû à cette exposition varie avec la fréquence de ces types de travaux. Pour réduire l'exposition à ces produits chimiques, il faut travailler dans un lieu bien ventilé et porter un équipement de sécurité approprié tel que certains masques à poussière conçus spécialement pour filtrer les particules microscopiques.












Symboles

Important : Certains des symboles suivants peuvent être utilisés sur votre outil. Veuillez les étudier et apprendre leur signification. Une interprétation appropriée de ces symboles vous permettra d'utiliser l'outil de façon plus efficace et plus sûre.

Symbole	Désignation / Explication
V	Volts (voltage)
Ah	Ampères/heure (mesure de la capacité de la pile)
A	Ampères (courant)
Hz	Hertz (fréquence, cycles par seconde)
W	Watt (puissance)
kg	Kilogrammes (poids)
min	Minutes (temps)
s	Seconds (temps)
∅	Diamètre (taille des mèches de perceuse, meules, etc.)
n_0	Vitesse à vide (vitesse de rotation, à vide)
n	Vitesse nominale (vitesse maximum pouvant être atteinte)
.../min	Tours ou mouvement alternatif par minute (tours, coups, vitesse en surface, orbites, etc., par minute)
0	Position d'arrêt (vitesse zéro, couple zéro ...)
1, 2, 3, ... I, II, III,	Réglages du sélecteur (Réglages de vitesse, de couple ou de position. Un nombre plus élevé signifie une vitesse plus grande)
	Sélecteur variable à l'infini avec arrêt (La vitesse augmente depuis le réglage 0)
	Flèche (action dans la direction de la flèche)
	Courant alternatif (type ou caractéristique du courant)
	Courant continu (type ou caractéristique du courant)
	Courant alternatif ou continu (type ou caractéristique du courant)
	Construction classe II (désigne des outils construits avec double isolation)
	Borne de terre (borne de mise à la terre)

Symboles

Important : Certains des symboles suivants peuvent être utilisés sur votre outil. Veuillez les étudier et apprendre leur signification. Une interprétation appropriée de ces symboles vous permettra d'utiliser l'outil de façon plus efficace et plus sûre.

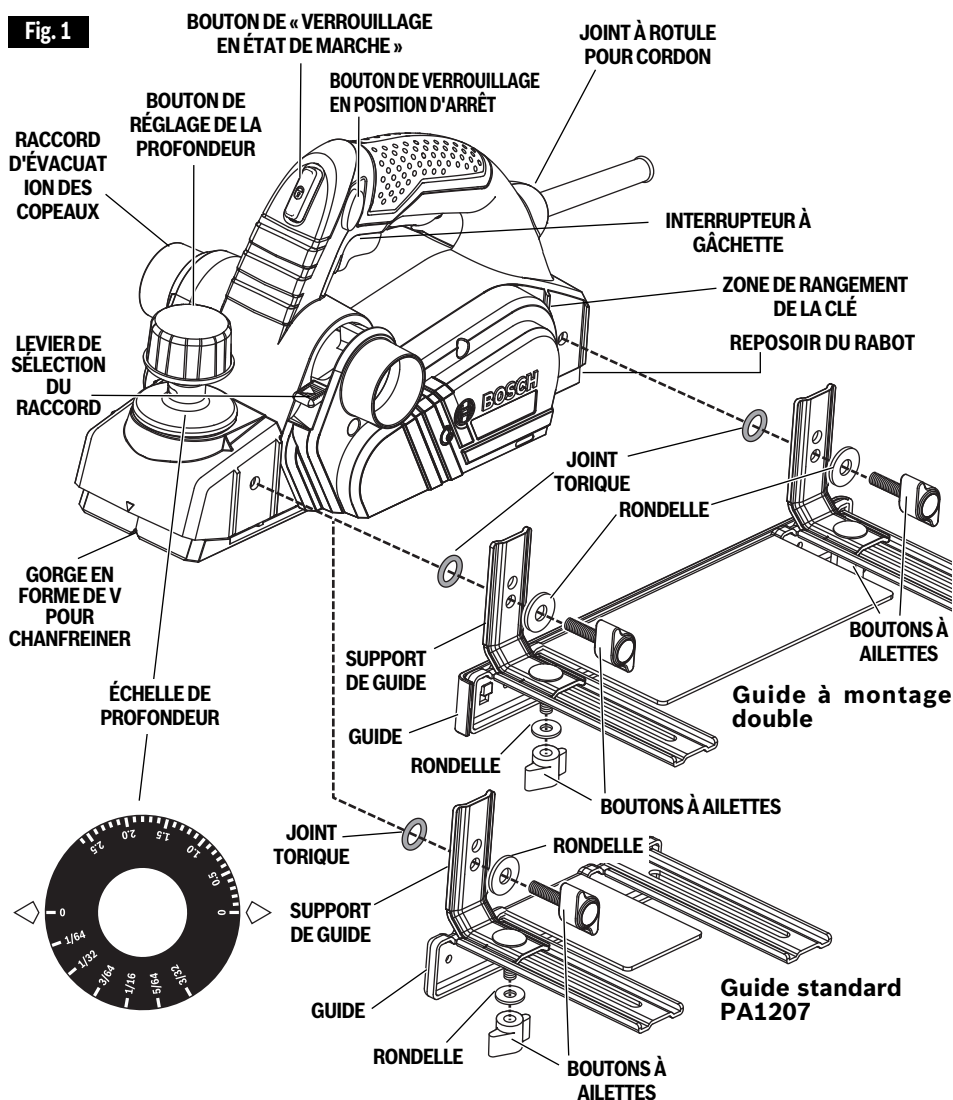
Symbole	Désignation / Explication
	Alerte l'utilisateur pour lire le mode d'emploi
	Alerte l'utilisateur pour porter des lunettes de sécurité
	Ce symbole signifie que cet outil est approuvé par Underwriters Laboratories.
	Ce symbole indique que ce composant est reconnu par Underwriters Laboratories.
	Ce symbole signifie que cet outil est approuvé par Underwriters Laboratories selon les normes des États-Unis et du Canada.
	Ce symbole signifie que cet outil est approuvé par l'Association canadienne de normalisation.
	Ce symbole signifie que cet outil est approuvé par l'Association canadienne de normalisation selon les normes des États-Unis et du Canada.
	Ce symbole signifie que cet outil est approuvé par Intertek Testing Services selon les normes des États-Unis et du Canada
	Ce symbole signifie que cet outil se conforme aux normes mexicaines NOM.
	Désigne le programme de recyclage des piles Li-ion.
	Désigne le programme de recyclage des piles Ni-Cad.

Description fonctionnelle et spécifications

AVERTISSEMENT Débranchez la fiche de la prise de courant avant d'effectuer quelque assemblage ou réglage que ce soit ou de changer les accessoires. Ces mesures de sécurité préventive réduisent le risque d'une mise en marche accidentelle de l'outil.

Rabot PL2632

Fig. 1



Capacités maximales

Profondeur de rabotage . . . 0 à 5/32 po (0 à 2,6 mm)

Profondeur des feuillures . . . 0 à 5/16 po (0 à 9 mm)

Largeur de rabotage 3-1/4 po (82 mm)

REMARQUE : Pour spécifications de l'outil, reportez-vous à la plaque signalétique de votre outil.

Assemblage

AVERTISSEMENT Débranchez la fiche de la prise de courant avant d'effectuer quelque assemblage ou réglage que ce soit ou de changer les accessoires. Ces mesures de sécurité préventive réduisent le risque d'une mise en marche accidentelle de l'outil.

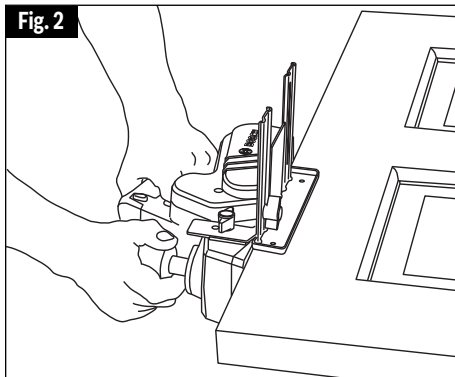
► Raisons d'être des guides

Les guides du rabot Bosch sont tous pourvus d'un cache de protection qui couvre la partie non utilisée du fer. Par conséquent, nous recommandons toujours d'attacher un guide de rabot (sauf dans les situations dans lesquelles le rabotage a lieu à un endroit plus renforcé par rapport au bord d'un ouvrage que la largeur du fer du rabot, auquel cas cela causerait une interférence avec le travail).

Tous les guides du rabot Bosch peuvent être utilisés pour contrôler la largeur de la coupe, notamment en créant des feuillures (voir page 25).

Tous les guides du rabot Bosch fournissent également une stabilité accrue lors du rabotage de matériaux pouvant atteindre 3-1/4 po (8 cm) de large.

Le guide à montage double en option est particulièrement utile lors du



rabotage d'un bord vertical, par exemple en rabotant une porte qui n'a pas encore été installée et est posée à plat, comme sur un chevalet. (Fig. 2)

► Positionnement des guides

Pour un emploi avec la main droite, le guide doit être installé du côté gauche de l'outil. Pour un emploi avec la main gauche, le guide doit être installé du

côté droit de l'outil, sauf quand on utilise le rabot pour produire des feuillures, auquel cas le guide doit être installé du côté gauche de l'outil.

► Installation du guide standard

1. Insérez une vis à oreilles à travers le trou du bas dans l'extrémité longue du support, et vissez dans le bloc de montage sur le côté approprié du rabot, puis serrez le bouton à ailettes à fond. (Le joint torique doit être situé sur le côté arrière du support, et la rondelle plate doit se trouver entre l'arrière du bouton et le côté avant du support.)
2. Introduisez le boulon par le haut du trou de l'extrémité courte du support, puis faites-le passer dans la fente du bras approprié du guide. Placez la rondelle plate sur le bas du boulon, en dessous du bras du guide, puis installez le bouton à ailettes. Si la rondelle n'est pas installée, le guide risque de déraper.
3. Serrez à fond le bouton à ailettes.

► Installation des guides à montage double

- Cette installation est similaire à celle du guide à montage standard, sauf que les deux supports sont attachés à la surface de montage avant du rabot et à la surface de montage arrière (Fig. 1).

► Fixation du couvre-semelle en plastique sur les guides à montage double

- Il existe deux couvre-semelle en plastique qui peuvent être utilisés avec le guide à montage double, un couvre-semelle droit et un couvre-semelle à 3 degrés (vendus séparément).
- Le couvre-semelle en plastique à biseau de 3 degrés PA1209 est particulièrement utile lors du

Assemblage

rabotage des bords longs de portes ordinaires.

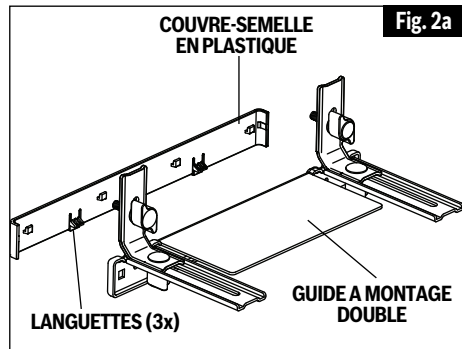
- Les couvre-semelle s'agrafent sur le guide en acier.
- Pour retirer l'un quelconque des couvre-semelle, tirez doucement sur les languettes du couvre-semelle afin de les éloigner du guide, puis soulevez le couvre-semelle (Fig. 2a).

► Fixation de la largeur de rabotage désirée

1. Desserrez le(s) bouton(s) à ailettes qui maintiennent le guide sur le(s) support(s) de guide.
2. Faites glisser le guide contre le le(s) support(s) de guide jusqu'à la largeur de rabotage désirée. (Lorsque vous utilisez le guide à montage double, il peut être nécessaire d'élever le reposoir du rabot pour pouvoir atteindre la largeur désirée.)
3. Serrez à fond les boutons à ailettes.

► Extraction des copeaux

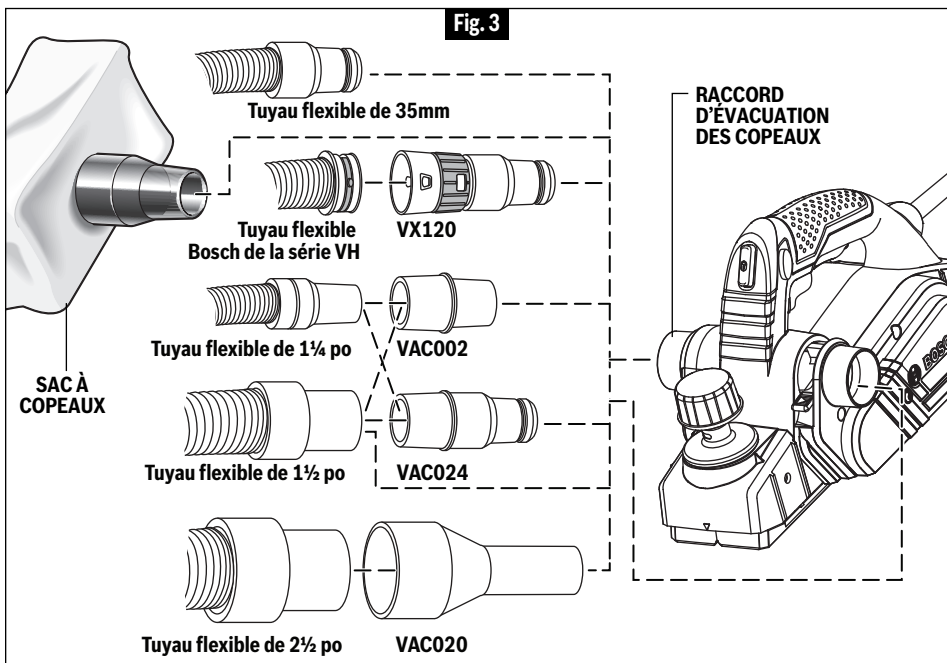
Le rabot PL2632 est pourvu de deux raccords d'évacuation des copeaux.



Mettez le levier du sélecteur de raccord d'évacuation dans la position 1 (vers l'avant de l'outil) pour évacuer les copeaux vers la gauche ou dans la position 2 (vers l'arrière de l'outil) pour évacuer les copeaux vers la droite. (Fig. 1).

Le raccord d'évacuation des copeaux du rabot peut être utilisé avec un sac à copeaux en option ou avec un aspirateur d'atelier muni d'un connecteur d'aspirateur (Fig. 3) pour assurer la propreté de votre espace de travail.

Bosch peut fournir plusieurs tuyaux flexibles différents pour aspirateur qui

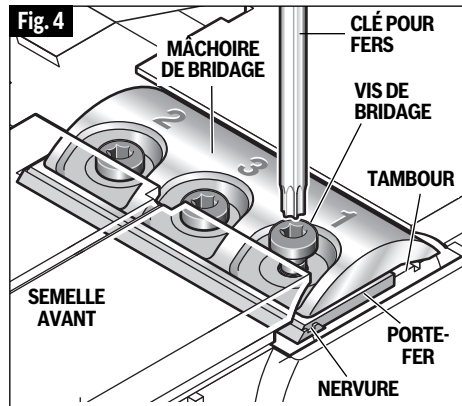


Assemblage

permettront de raccorder ces outils aux aspirateurs Bosch. Les adaptateurs Bosch VAC002 ou VAC024 en option raccorderont le rabot aux tuyaux d'aspirateur de 1-1/4 po et de 1-1/2 po, et l'adaptateur VAC020 en option raccordera le rabot aux tuyaux de 2-1/2 po.

L'aspirateur doit être approprié pour le matériau sur lequel vous devez travailler.

Lorsque vous aspirez de la poussière sèche qui est particulièrement toxique pour la santé ou peut même être cancérigène, utilisez un aspirateur / extracteur de poussière conçu spécifiquement pour une telle application.



▼ RETRAIT DES MINI-FERS AU CARBURE DE TUNGSTÈNE

Les mini-fers du rabot TC ont deux bords tranchants, et leur position peut être inversée quand l'un des bords tranchants devient émoussé ou est ébréché. (Fig. 6) Débranchez l'outil de la prise de courant avant d'effectuer un quelconque travail sur l'outil.

Remplacez toujours les deux fers en même temps. Sinon, un déséquilibre risquerait de causer des vibrations et de réduire la durée de vie utile de l'outil. Utilisez seulement des fers conçus pour une utilisation avec ce modèle, parce que d'autres fers causeront des vibrations, réduiront la performance et ne seront peut-être pas fixés aussi solidement dans le porte-fer. Ne tentez en aucune manière de réaffûter des fers TC ou d'utiliser des fers TC réaffûtés.

Pour retirer les fers :

1. Faites tourner le tambour jusqu'à ce que la mâchoire de fixation soit parallèle à la semelle du rabot.
2. Desserrez les trois vis de fixation d'environ un tour chacune. (Il n'est pas nécessaire de retirer la mâchoire de fixation.) (Fig. 4)
3. Faites tourner légèrement le tambour et utilisez un morceau de bois pour pousser le fer sur le côté et le faire sortir du dessous de la mâchoire de fixation. Faites bien attention de ne pas laisser vos doigts entrer en contact avec les bords tranchants du fer. Si le fer attache et est difficile à retirer, vous pouvez le nettoyer avec des essences minérales, un diluant à laque ou de l'alcool. (Fig. 5)

► Fers de rabot

⚠ AVERTISSEMENT Les fers du rabot sont tranchants et fragiles, et ils doivent être manipulés avec précaution pour ne pas risquer de blesser l'utilisateur ou de les endommager.

- Il existe trois types de fers qui peuvent être utilisés avec le rabot Bosch PL2632 : les mini-fers au carbure de tungstène standard, les mini-fers au carbure de tungstène à micrograins Bosch Woodrazor (équipements standard pour le rabot Bosch PL2632) et les grands fers HSS.
- Bien que les mini-fers au carbure de tungstène Bosch PA1202 soient plus tranchants et plus durables que les mini-fers au carbure de tungstène standard, le montage et le réglage des fers au carbure de tungstène Woodrazor et standard sont similaires. Toutes les références aux « mini-fers TC » dans ce mode d'emploi portent donc à la fois sur les fers Woodrazor et sur les mini-fers au carbure de tungstène standard.
- Pour utiliser de grands fers en acier rapide (HSS) avec le rabot PL2632, il est nécessaire d'acheter des accessoires en option.

⚠ AVERTISSEMENT Portez des gants de protection lors du changement de fers de rabot. Les bords sont tranchants et risquent de vous blesser.

Assemblage

- Faites tourner le tambour de 180° et recommencez la procédure déjà suivie pour retirer le second fer. Avant d'insérer un nouveau fer ou un fer réaffûté, nettoyez toutes les surfaces (fers, dispositifs de retenue et tambour) avec des essences minérales, un diluant à laque ou de l'alcool, car ceci assurera un positionnement plus précis du fer et une performance optimisée de l'outil.

▼ INSTALLATION ET RÉGLAGE DES MINI-FERS AU CARBURE

Si les fers et/ou le porte-fer attachent et sont difficiles à retirer, retirez les mâchoires et les vis de fixation, et nettoyez toutes les surfaces avec des essences minérales, un diluant à laque ou de l'alcool, car ceci assurera un positionnement plus précis du fer et une performance optimisée de l'outil. (Voir RETRAIT DES PORTE-MINI-FERS TC ET DES DISPOSITIFS DE RETENUE)

Pour installer, faites glisser délicatement les fers sur les stries tracés sur les porte-fers.

Pour assurer un fonctionnement approprié et des coupes uniformes, les fers doivent être positionnés de façon qu'ils soient :

- Centrés par rapport aux semelles à l'avant et à l'arrière.
- Alignés l'un sur l'autre.
- Positionnés de façon à ne pas entrer en contact avec une partie quelconque du rabot quand on les fait tourner.
- Enfoncés uniformément vers l'arrière, en direction du porte-fer, pour vérifier qu'ils sont de niveau.

▼ PROCÉDURE D'INSTALLATION

- Alignez la rainure en haut du fer sur l'arête du porte-fer et faites glisser délicatement le fer sur le porte-fer, comme illustré à la Figure 6.
- En vous servant d'un bloc de bois, poussez le fer TC vers l'arrière, en direction du porte-fer, de façon que le côté intérieur du fer soit enfoncé contre la partie inclinée du porte-fer. (Ceci assurera que les fers sont de niveau.)
- Puis serrez les vis de fixation Torx en suivant la séquence de serrage correcte (1, 2, 3), comme illustré à la

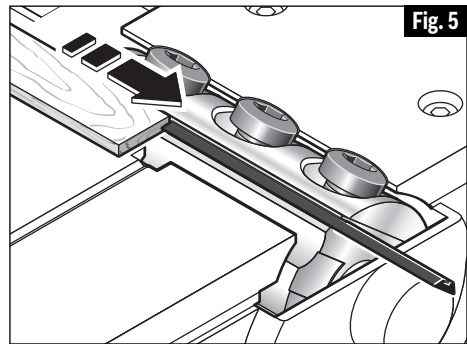


Fig. 5

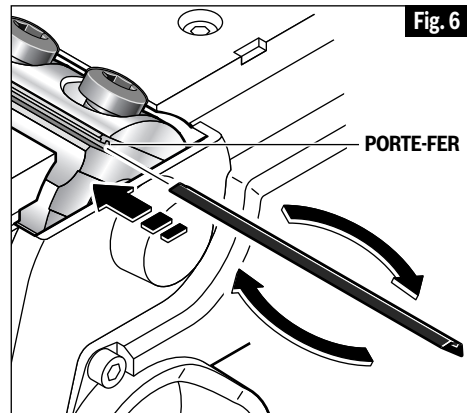


Fig. 6

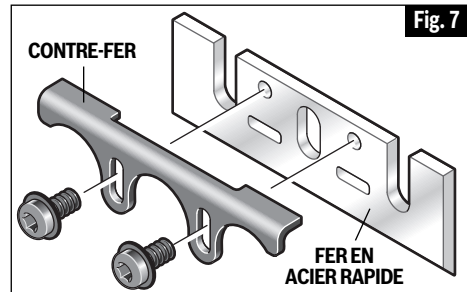


Fig. 7

Figure 4. Votre rabot est maintenant prêt à être utilisé.

Vis de retenue des fers – Dans des circonstances normales, il n'est pas nécessaire d'ajuster la position du dispositif de retenue sur les porte-mini-fers TC. En fait, les vis qui attachent le dispositif de retenue au porte-fer sont scellées à l'usine par un composé de fixation jaune qu'il ne faut pas perturber. Cependant, si vous pensez que des réglages sont nécessaires, étant donné qu'un réglage correct est

Assemblage

essentiel, il est recommandé de le faire effectuer par un centre de service après-vente Bosch agréé ou par un centre de service usine Bosch.

▼ TRANSFORMATION POUR UTILISER DES FERS EN ACIER RAPIDE

Le rabot PL2632 peut être transformé de façon à pouvoir utiliser de grands fers HSS (en acier rapide). La transformation nécessite une paire de fers HSS PA1204 avec dispositifs de retenue (Fig. 7). Des paires supplémentaires de fers en acier rapide, les grands fers HSS PA1205, peuvent également être achetées séparément.

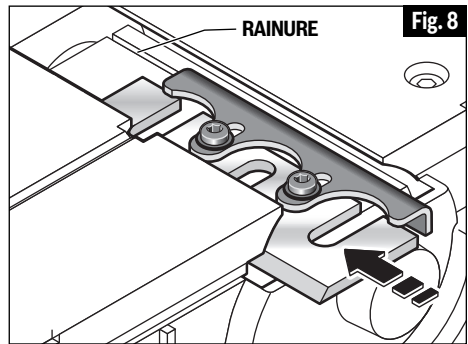
▼ RETRAIT DES PORTE-MINI-FERS TC ET DES DISPOSITIFS DE RETENUE

1. Faites tourner le tambour jusqu'à ce que la mâchoire de fixation soit parallèle à la semelle du rabot.
2. Desserrez complètement les trois vis de fixation, et retirez les vis et la mâchoire de fixation.
3. Faites tourner légèrement le tambour et utilisez un morceau de bois pour pousser le fer, le porte-fer et le dispositif de retenue afin de les faire sortir du tambour. Faites bien attention de ne pas laisser vos doigts entrer en contact avec les bords tranchants du fer. Si le fer attache et est difficile à retirer, vous pouvez le nettoyer avec des essences minérales, un diluant à laque ou de l'alcool.
4. Faites tourner le tambour de 180° et recommencez la procédure déjà suivie pour retirer le second fer.

▼ INSTALLATION ET RÉGLAGE DES FERS HSS ET DES DISPOSITIFS DE RETENUE

Avant d'insérer un nouveau fer ou un fer réaffûté, nettoyez toutes les surfaces (fers, dispositifs de retenue et tambour) avec des essences minérales, un diluant à laque ou de l'alcool, car ceci assurera un positionnement plus précis du fer et une performance optimisée de l'outil.

Les fers de rabot neufs ou ayant été réaffûtés doivent être aplanis de façon appropriée avant l'installation en utilisant le dispositif de planage de fers HSS PA1206 en option. (Les fers HSS PA1204 avec dispositifs de retenue sont



aplanis à l'usine.)

Pour assurer un fonctionnement approprié et des coupes uniformes, les fers doivent être positionnés de façon qu'ils soient :

- Centrés par rapport aux semelles à l'avant et à l'arrière.
- Alignés l'un sur l'autre.
- Positionnés de façon à ne pas entrer en contact avec une partie quelconque du rabot quand on les fait tourner.

Procédure :

1. Pour installer les fers, faites glisser l'ensemble de fer/dispositif de retenue latéralement, jusqu'à ce qu'il soit positionné au-dessus de l'une des deux aires de fixation sur le tambour, en faisant très attention. Le dispositif de fixation doit s'engager dans la rainure. (Fig. 8)
2. Placez une mâchoire de fixation orientée correctement au-dessus du fer. (Fig. 4)
3. Serrez les trois vis de fixation avec la clé Torx en suivant la séquence de serrage correcte (1, 2, 3). (Fig. 4)
4. Faites tourner le tambour de 180° et recommencez la procédure déjà suivie pour la fixation du second fer.

▼ RETRAIT DES GRANDS FERS HSS

Pour retirer les fers :

1. Faites tourner le tambour jusqu'à ce que la mâchoire de fixation soit parallèle à la semelle du rabot.
2. Desserrez et retirez les trois vis de fixation au moyen de la clé Torx.
3. Retirez également la mâchoire de fixation.

Assemblage

- Faites tourner légèrement le tambour et utilisez un morceau de bois pour pousser le fer et le mécanisme de retenue latéralement afin de les faire sortir du tambour. Faites bien attention de ne pas laisser vos doigts entrer en contact avec les bords tranchants du fer. Si le fer attache et est difficile à retirer, vous pouvez le nettoyer avec des essences minérales, un diluant à laque ou de l'alcool.

Faites tourner le tambour de 180° et recommencez la procédure déjà suivie pour retirer le second fer.

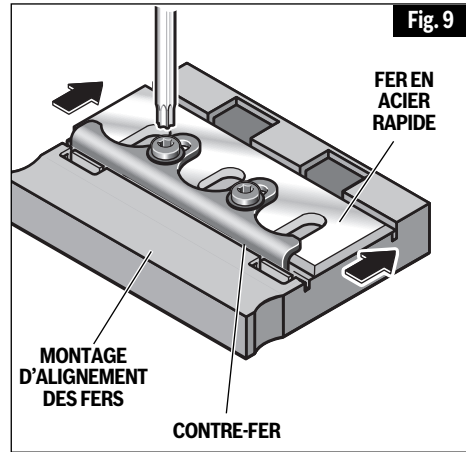
▼ RÉAFFÛTAGE DES FERS HSS

Il est possible de réaffûter des fers de rabot an acier rapide usés ou émoussés. L'angle d'inclinaison du fer optimal de 50° doit être maintenu lors de l'affûtage. Après qu'un total de 6 mm d'acier aura été retiré des pointes des fers, les deux fers devront être remplacés parce que la hauteur minimum d'un fer en acier rapide est de 23 mm depuis l'arrière jusqu'à la pointe.

▼ APLANISSEMENT DES LAMES EN ACIER RAPIDE

Un dispositif de planage des lames en acier rapide PA1206 (accessoire en option) est nécessaire pour aplanir les fers HSS neufs ou réaffûtés. (Il n'est pas nécessaire pour les fers HSS PA1204 et les dispositifs de retenue associés, parce qu'ils sont aplanis à l'usine.)

- Placez le fer et le dispositif de retenue du fer sur le dispositif de planage, et assurez-vous que le



dispositif de retenue du fer s'engage dans les rainures prévues à cet effet (Fig. 9).

- Appuyez sur le fer du rabot contre la butée devant le bord tranchant pour produire la profondeur et la planéité (nivelance) appropriées, puis, avec le dispositif de retenue du fer dans cette position, serrez avec les vis de blocage. Ceci ajustera automatiquement le fer à la hauteur et à la planéité correctes.
- Serrez les vis du dispositif de retenue.
- Retirez l'ensemble de fer et de dispositif de retenue du dispositif de planage.
- Recommencez cette procédure pour le second fer.

Instructions d'utilisation

⚠ AVERTISSEMENT Débranchez la fiche de la prise de courant avant d'effectuer quelque assemblage ou réglage que ce soit ou de changer les accessoires. Ces mesures de sécurité préventive réduisent le risque d'une mise en marche accidentelle de l'outil.

► Interrupteur à gâchette « Marche/Arrêt »

⚠ AVERTISSEMENT Tenez l'outil des deux mains pendant que vous mettez l'outil en marche, étant donné que le couple du moteur pourrait un mouvement de rotation de l'outil.

⚠ AVERTISSEMENT Si le bouton de verrouillage en position de marche (« Lock-ON ») est enfoncé en permanence, la gâchette ne peut pas être relâchée.

⚠ AVERTISSEMENT Ne laissez jamais la gâchette en position verrouillée (« ON »). Avant de brancher l'outil, assurez-vous que le dispositif de verrouillage de la gâchette est désactivé (« OFF »). Une mise en marche accidentelle pourrait causer des blessures.

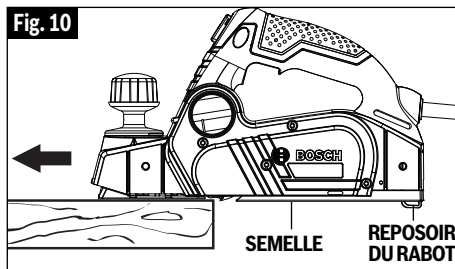
⚠ AVERTISSEMENT Soyez au courant de l'emplacement et de la position du bouton de blocage en marche de la gâchette. Si l'interrupteur est bloqué en marche durant l'usage, soyez prêt, dans des cas d'urgence, à le mettre à l'arrêt en appuyant d'abord sur la gâchette, puis en la relâchant immédiatement sans appuyer sur le bouton de blocage en marche.

MISE EN MARCHÉ DE L'OUTIL : Appuyez sur le bouton de déverrouillage en position d'arrêt d'un côté ou de l'autre de l'outil, et compressez l'interrupteur à gâchette.

MISE DE L'OUTIL EN POSITION D'ARRÊT : Relâchez simplement l'interrupteur à gâchette.

Votre rabot est également muni d'un bouton de verrouillage en état de marche situé sur le devant de la poignée qui permet un fonctionnement continu sans avoir besoin de comprimer constamment la gâchette.

VERROUILLAGE DE L'INTERRUPTEUR EN ÉTAT DE MARCHÉ : Comprimez à fond l'interrupteur à gâchette, appuyez sur le bouton de verrouillage en état de



marche, puis relâchez la gâchette.

DÉVERROUILLAGE DE L'INTERRUPTEUR : Comprimez l'interrupteur à gâchette puis relâchez-le sans appuyer sur le bouton de verrouillage en état de marche.

► Joint à rotule pour cordon

Le joint à rotule pour cordon sur le cordon d'alimentation permet de positionner facilement le cordon d'une façon qui facilite l'utilisation de l'outil (Fig. 1).

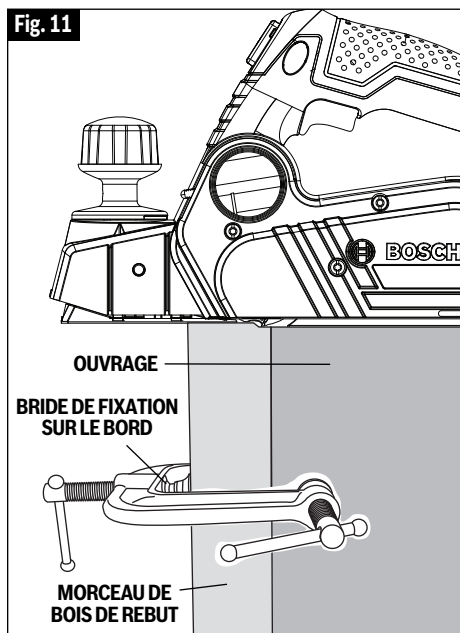
► Action de rabotage

Une action de rabotage appropriée aide à atteindre le résultat désiré. Avec de la pratique et de l'expérience, cela deviendra comme une seconde nature. Assurez-vous que l'ouvrage est maintenu solidement en place sur votre surface de travail, tenez-vous dans une position confortable et tenez fermement le rabot des deux mains.

1. Après avoir ajusté totalement le rabot, placez la semelle avant sur l'ouvrage (assurez-vous que le tambour n'est pas en contact avec l'ouvrage) et mettez le rabot en marche comme cela est décrit plus haut.
2. Tout en faisant pression sur la semelle avant, et le guide étant positionné contre le côté de l'ouvrage (pour contrôler la largeur ou l'angle), faites avancer le rabot à une vitesse constante jusqu'à ce que toute la longueur de la semelle arrière ait

Instructions d'utilisation

Fig. 11



dépassé le bord de l'ouvrage.
(Fig. 10)

3. Puis transférez progressivement la pression vers la semelle arrière, et continuez le mouvement de rabotage jusqu'à la fin de la coupe.
4. Si la pression n'est pas maintenue sur la semelle arrière jusqu'à la fin de la coupe, l'ouvrage risque d'être éraflé après que la semelle avant aura dépassé l'extrémité de l'ouvrage. Pour réduire ce risque, utilisez une bride de fixation sur le bord de trois façons différentes pour maintenir en place un morceau de bois de rebut (d'au moins 1-1/2 po (38 mm) d'épaisseur) à l'extrémité de l'ouvrage aligné sur la surface à raboter (Fig. 11). Ceci déplacera l'emplacement de l'éraflure possible de l'ouvrage au morceau de bois de rebut.
5. Faites avancer le rabot à une vitesse uniforme et raisonnable qui n'exercera pas une pression excessive sur le moteur ou sur le fer (ne traînez pas le rabot sur la surface venant d'être coupée).
6. Effectuez des coupes progressives jusqu'à ce que vous soyez presque à la profondeur désirée, puis réajustez à une coupe de faible profondeur

pour la dernière passe afin d'obtenir une bonne finition de la surface.

⚠ MISE EN GARDE Le moteur risque de caler s'il est utilisé de façon inappropriée ou en état de surcharge. Réduisez la pression (vitesse d'alimentation) ou la profondeur de coupe pour éviter tout risque d'endommagement de l'outil si le moteur semble peiner.

► Profondeur de coupe et vitesse d'alimentation

La profondeur de coupe (profondeur de rabotage) est déterminée par la différence de hauteur entre la semelle avant réglable et la semelle arrière fixe du rabot. Le bouton de profondeur permet d'ajuster la semelle avant, qui se rétracte et expose le fer, et qui détermine le montant de matériau détaché de l'ouvrage. La profondeur de coupe peut aller de 0 à 3/32 po (2,6 mm) par passe. (Fig. 1)

La profondeur de coupe et la vitesse d'alimentation appropriées dépendent du matériau constituant l'ouvrage :

Pour éviter d'obstruer l'outil et/ou d'endommager le moteur, une coupe plus fine et/ou une vitesse d'alimentation plus lente peuvent être nécessaires si le matériau a une ou plusieurs de ces caractéristiques : dureté; tendance à attacher, aspect résineux, humidité, peinture, vernis et/ou nœuds. En outre, lorsque vous rabotez contre le grain ou à travers le grain plutôt que dans le sens du grain, une coupe moins profonde et/ou une vitesse d'alimentation plus lente sont nécessaires. Dans la mesure du possible, faites un test en rabotant un morceau similaire de matériau de rebut. Utilisez de multiples coupes progressives pour atteindre la profondeur totale désirée.

Commencez par une coupe fine. Si le rabot avance librement tout au long de l'ouvrage sans trop surcharger le moteur, le réglage de la profondeur peut être augmenté avant la coupe suivante.

Lorsque vous aurez presque atteint la profondeur totale désirée, réajustez la profondeur de rabotage sur une faible profondeur pour la coupe finale afin d'obtenir une bonne finition de la surface.

Instructions d'utilisation

Réglage de la profondeur de coupe : Tournez le bouton de réglage de la profondeur jusqu'à ce que l'indicateur soit aligné sur la profondeur de coupe désirée sur l'échelle de profondeur (Fig. 1).

► Reposoir du rabot

Le reposoir du rabot s'abaisse automatiquement pour contribuer à empêcher le fer d'entrer en contact avec la surface de travail lorsque le rabot n'est pas utilisé (Fig. 12). Le reposoir du rabot est conçu pour se relever et s'écartier automatiquement lorsque l'arrière du rabot aura dépassé le bord d'attaque de l'ouvrage (Fig. 10). Il se relève également lorsque le rabotage commence au milieu d'un ouvrage (par rapport au bord de l'ouvrage).

► Bords de biseautage

La gorge en V à l'avant de la plaque d'assise du rabot permet de biseauter rapidement et facilement les bords des ouvrages. (Fig. 13)

► Feuillures

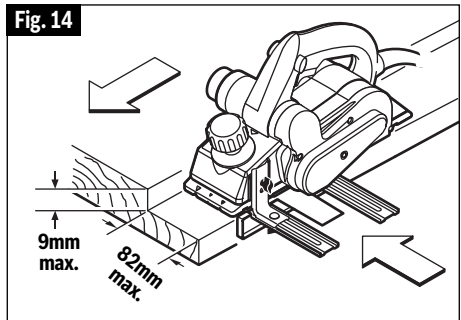
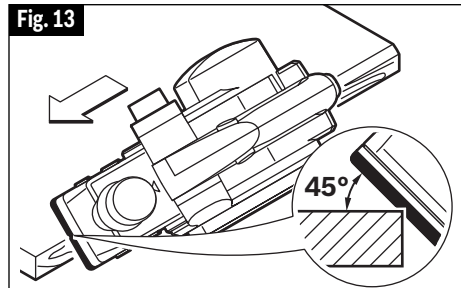
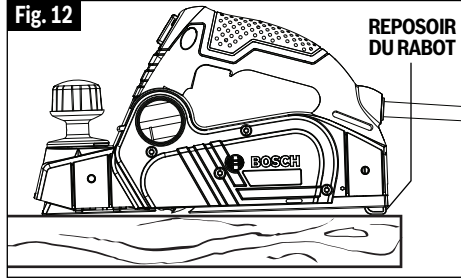
Bien que tous les guides compatibles avec les rabots Bosch puissent être utilisés avec le modèle PL2632 pour les feuillures (parfois appelées planches à « feuillures »), le meilleur guide dans ce but est le guide à montage double en option.

Le modèle PL2632 peut créer des feuillures d'une largeur pouvant atteindre 82 mm / 3-1/2 po. (Fig. 14) N'oubliez pas qu'il faut une pression latérale constante et de nombreuses passes pour créer des feuillures en utilisant un rabot.

► Débouchage du système d'évacuation des copeaux

⚠ AVERTISSEMENT Retirez la fiche de la prise de courant s'il est nécessaire de retirer manuellement les copeaux. Les fers ne sont pas visibles, et vous risquez de vous couper si vous entrez en contact avec eux accidentellement.

Pour réduire autant que possible le



risque d'obstruction, vérifiez ce qui suit :

1. La profondeur de coupe est raisonnable en fonction du matériau.
2. La vitesse d'alimentation est raisonnable en fonction du matériau. (Voir la section « Profondeur de coupe et vitesse d'alimentation »)
3. Débranchez le rabot et insérez un tournevis ou un objet similaire dans le raccord d'évacuation des copeaux en prenant les précautions nécessaires pour éliminer l'obstruction.

Entretien

⚠ AVERTISSEMENT Pour éviter les accidents, débranchez toujours l'outil et/ou le chargeur de sa source d'alimentation secteur avant toute opération de maintenance ou de nettoyage.

► Service après-vente

⚠ AVERTISSEMENT Une maintenance pré-ventive effectuée par une personne non autorisée pourrait entraîner un placement incorrect de fils et composants internes, ce qui pourrait être très dangereux. Nous recommandons que toutes les réparations de cet outil soient effectuées par un centre de service après-vente usine de Bosch ou par un poste de service agréé par Bosch.

► Lubrification de l'outil

Votre outil Bosch a été lubrifié correctement et est prêt à l'emploi. Il est recommandé que les outils comportant des engrenages soient graissés à nouveau avec un lubrifiant spécial pour engrenages lors de chaque remplacement des balais.

► Balais de charbon

Les balais et le commutateur dans votre outil ont été conçus pour fonctionner sans problème pendant de nombreuses heures d'utilisation. Pour maintenir le rendement optimal du moteur, nous recommandons d'examiner les balais tous les deux à six mois. N'utilisez que des balais de remplacement Bosch authentiques conçus pour votre outil particulier.

► Paliers

Les paliers qui deviennent bruyants (en raison de charges élevées ou de la coupe de matériaux très abrasifs) doivent être remplacés immédiatement pour éviter la surchauffe ou une panne du moteur.

► Nettoyage

⚠ MISE EN GARDE Certains agents de nettoyage et solvants endommagent les pièces en plastique. Citons notamment :

l'essence, le tétrachlorure de carbone, les solvants de nettoyage chlorés, l'ammoniac et les détergents ménagers contenant de l'ammoniac.

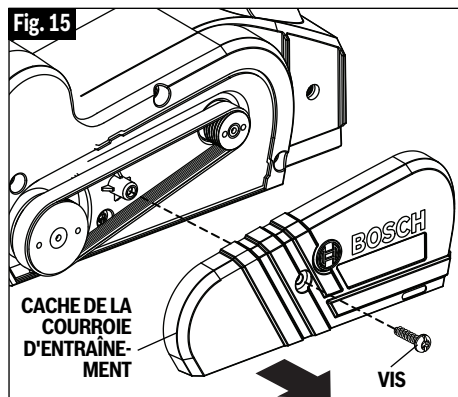
Les ouvertures de ventilation et les leviers de l'interrupteur doivent être gradés propres et n'être obstrués par aucun corps étranger. Ne tentez pas de nettoyer en insérant des objets pointus à travers les ouvertures.

Nettoyez périodiquement le reposoir du rabot et assurez-vous qu'il se remet librement en place.

► Courroie d'entraînement

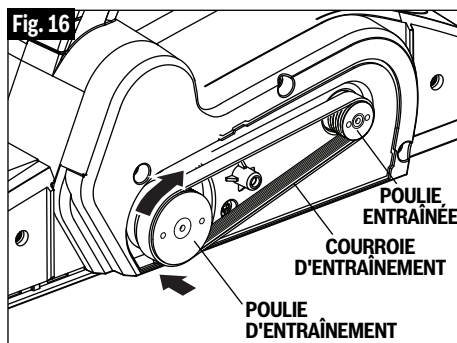
La courroie d'entraînement est un composant qui doit être inspecté périodiquement dans le cadre d'une maintenance normale afin de s'assurer qu'elle n'est pas excessivement usée. Si la courroie d'entraînement montre des signes d'assèchement ou révèle des fissures ou des déchirures, elle doit être remplacée. Si la courroie d'entraînement ne se déplace pas comme il faut ou sort des poulies, elle doit être remplacée.

Installation d'une nouvelle courroie d'entraînement : Desserrez la vis et retirez le cache de la courroie d'entraînement (Fig. 15). Coupez et retirez la courroie d'entraînement usée. Avant d'installer la nouvelle courroie d'entraînement, nettoyez soigneusement les deux poulies. Commencez par placer la nouvelle courroie d'entraînement sur



Entretien

la poulie d'entraînement, puis faites-la tourner dans le sens des aiguilles d'une montre tout en faisant pression sur la courroie au-dessus de la poulie qu'elle entraîne (Fig. 16). Réinstallez le cache de la courroie d'entraînement et serrez le vis à fond (Fig. 15).



Cordons de rallonge

⚠ AVERTISSEMENT Si un cordon de rallonge s'avère nécessaire, vous devez utiliser un cordon avec conducteurs de dimension adéquate pouvant porter le courant nécessaire à votre outil. Ceci préviendra une chute excessive de tension, une perte de courant ou une surchauffe. Les outils mis à la terre doivent utiliser des cordons de rallonge trifilaires pourvus de fiches à trois broches.

REMARQUE : Plus le calibre du cordon est petit, plus sa capacité est élevée.

DIMENSIONS DE RALLONGES RECOMMANDÉES OUTILS 120 VOLTS COURANT ALTERNATIF

Intensité nominale de l'outil	Calibre A.W.G.				Calibre en mm ²			
	Longueur en pieds				Longueur en mètres			
	25	50	100	150	15	30	60	120
3-6	18	16	16	14	0.75	0.75	1.5	2.5
6-8	18	16	14	12	0.75	1.0	2.5	4.0
8-10	18	16	14	12	0.75	1.0	2.5	4.0
10-12	16	16	14	12	1.0	2.5	4.0	-
12-16	14	12	-	-	-	-	-	-

Accessoires et compléments





⚠ AVERTISSEMENT L'utilisation d'autres accessoires ou attachements non spécifiés dans ce mode d'emploi pourrait être dangereuse.

Ranger les accessoires dans un environnement sec et tempéré pour éviter les risques de corrosion et de détérioration.

Description	Inclus	Vendu séparément
Accessoires		
Clé à fer pour empreinte Torx T-30	●	●
PA1202 Fer au carbure de tungstène Woodrazor micro-grain réversible (2)	●	●
Fers HSS PA1204 avec dispositifs de retenue	-	●
Grandes fers HSS PA1205	-	●
Dispositif de planage de fers HSS PA1206	-	●
Attachements		
PA1207 Guide standard	-	●
Guide à montage double avec couvre-semelle en plastique	-	●
Adaptateurs pour tuyaux d'aspirateur	-	●
Tuyaux d'aspirateur	-	●
Sac à copeaux	-	●
PA1209 Couvre-semelle à biseau de 3 degrés pour guide à montage double	-	●

Símbolos de seguridad

Las definiciones que aparecen a continuación describen el nivel de gravedad de cada palabra de señal de seguridad. Por favor, lea el manual y preste atención a estos símbolos.

	Éste es el símbolo de alerta de seguridad. Se utiliza para alertarle a usted de posibles peligros de lesiones corporales. Obedezca todos los mensajes de seguridad que sigan a este símbolo para evitar posibles lesiones o muerte.
	PELIGRO indica una situación peligrosa que, si no se evita, causará la muerte o lesiones graves.
	ADVERTENCIA indica una situación peligrosa que, si no se evita, podría causar la muerte o lesiones graves.
	PRECAUCIÓN indica una situación peligrosa que, si no se evita, podría causar lesiones leves o moderadas.

Advertencias generales de seguridad para herramientas mecánicas

ADVERTENCIA Lea todas las advertencias de seguridad, instrucciones, ilustraciones y especificaciones suministradas con esta herramienta eléctrica. Si no se siguen todas las instrucciones que se indican a continuación, es posible que el resultado sea descargas eléctricas, incendio y/o lesiones graves.

GUARDE TODAS LAS ADVERTENCIAS E INSTRUCCIONES PARA REFERENCIA FUTURA

La expresión "herramienta mecánica" en las advertencias se refiere a su herramienta mecánica alimentada por la red eléctrica (herramienta alámbrica) o su herramienta mecánica alimentada por baterías (herramienta inalámbrica).

► Seguridad del área de trabajo

Mantenga el área de trabajo limpia y bien iluminada. Las áreas desordenadas u oscuras invitan a que se produzcan accidentes.

No utilice herramientas mecánicas en atmósferas explosivas, como por ejemplo en presencia de líquidos, gases o polvos inflamables. Las herramientas mecánicas generan chispas que pueden incendiar el polvo o los vapores.

Mantenga alejados a los niños y a las personas que estén presentes mientras esté utilizando una herramienta mecánica. Las distracciones pueden hacerle perder el control de la herramienta.

► Seguridad eléctrica

Los enchufes de las herramientas mecánicas deben coincidir con el tomacorriente. No modifique nunca el enchufe de ningún modo. No use enchufes adaptadores con herramientas mecánicas

conectadas a tierra (puestas a tierra). Los enchufes no modificados y los tomacorrientes coincidentes reducirán el riesgo de sacudidas eléctricas.

Evite el contacto del cuerpo con las superficies conectadas o puestas a tierra, tales como tuberías, radiadores, estufas y refrigeradores. Hay un aumento del riesgo de sacudidas eléctricas si el cuerpo del operador se conecta o pone a tierra.

No exponga las herramientas mecánicas a la lluvia o a condiciones mojadas. La entrada de agua en una herramienta mecánica aumentará el riesgo de que se produzcan sacudidas eléctricas.

No maltrate el cordón de energía. No use nunca el cordón para transportar la herramienta mecánica, tirar de ella o desenchufarla. Mantenga el cordón alejado del calor, el aceite, los bordes afilados o las piezas móviles. Los cordones dañados o enganchados aumentan el riesgo de que se produzcan sacudidas eléctricas.

Cuando utilice una herramienta mecánica en el exterior, use un cordón de extensión

Advertencias generales de seguridad para herramientas mecánicas

adecuado para uso a la intemperie. La utilización de un cordón adecuado para uso a la intemperie reduce el riesgo de que se produzcan sacudidas eléctricas.

Si es inevitable utilizar una herramienta mecánica en un lugar húmedo, utilice una fuente de energía protegida por un interruptor de circuito accionado por corriente de pérdida a tierra (GFCI). El uso de un GFCI reduce el riesgo de sacudidas eléctricas.

► Seguridad personal

Manténgase alerta, fíjese en lo que está haciendo y use el sentido común cuando esté utilizando una herramienta mecánica. No use una herramienta mecánica cuando esté cansado o bajo la influencia de drogas, alcohol o medicamentos. Un momento de distracción mientras esté utilizando herramientas mecánicas podría causar lesiones corporales graves.

Use equipo de protección personal. Use siempre protección de los ojos. El equipo de protección, como por ejemplo una máscara antipolvo, calzado de seguridad antideslizante, casco o protección de oídos, utilizado para las condiciones apropiadas, reducirá las lesiones corporales.

Evite el arranque accidental. Asegúrese de que el interruptor esté en la posición de apagado antes de conectar la herramienta a la fuente de energía y / o al paquete de batería, levantar la herramienta o transportarla. Transportar herramientas mecánicas con un dedo en el interruptor o encender herramientas mecánicas que tengan el interruptor en la posición de encendido invita a que se produzcan accidentes.

Quite todas las llaves de ajuste o de tuerca antes de encender la herramienta mecánica. Una llave de tuerca o de ajuste que se deje colocada en una pieza giratoria de la herramienta mecánica podría causar lesiones corporales.

No intente alcanzar demasiado lejos. Mantenga un apoyo de los pies y un equilibrio apropiados en todo momento. Esto permite controlar mejor la herramienta mecánica en situaciones inesperadas.

Vístase adecuadamente. No use ropa holgada ni alhajas holgadas. Mantenga el pelo, la ropa y los guantes alejados de las piezas móviles. La ropa holgada, las alhajas holgadas o el pelo largo pueden quedar

atrapados en las piezas móviles.

Si se proporcionan dispositivos para la conexión de instalaciones de extracción y recolección de polvo, asegúrese de que dichas instalaciones estén conectadas y se usen correctamente. El uso de dispositivos de recolección de polvo puede reducir los peligros relacionados con el polvo.

No deje que la familiaridad obtenida con el uso frecuente de las herramientas le haga volverse complaciente e ignorar los principios de seguridad de las herramientas. Una acción descuidada puede causar lesiones graves en una fracción de segundo.

► Uso y cuidado de las herramientas mecánicas

No fuerce la herramienta mecánica. Use la herramienta mecánica correcta para la aplicación que desee realizar. La herramienta mecánica correcta hará el trabajo mejor y con más seguridad a la capacidad nominal para la que fue diseñada.

No use la herramienta mecánica si el interruptor no la enciende y apaga. Toda herramienta mecánica que no se pueda controlar con el interruptor es peligrosa y debe ser reparada.

Desconecte el enchufe de la fuente de alimentación y/o retire el paquete de batería de la herramienta eléctrica, si es extraíble, antes de hacer cualquier ajuste, cambiar accesorios o almacenar herramientas eléctricas. Dichas medidas preventivas de seguridad reducen el riesgo de arrancar accidentalmente la herramienta mecánica.

Guarde las herramientas que no esté usando fuera del alcance de los niños y no deje que personas que no estén familiarizadas con la herramienta mecánica o con estas instrucciones utilicen la herramienta. Las herramientas mecánicas son peligrosas en manos de usuarios que no hayan recibido capacitación.

Mantenga las herramientas eléctricas y sus accesorios. Compruebe si hay piezas móviles desalineadas o que se atorán, si hay piezas rotas y si existe cualquier otra situación que podría afectar el funcionamiento de la herramienta mecánica. Si la herramienta mecánica está dañada, haga que la reparen antes de usarla. Muchos accidentes son causados

Advertencias generales de seguridad para herramientas mecánicas

por herramientas mecánicas mantenidas deficientemente.

Mantenga las herramientas de corte afiladas y limpias. Es menos probable que las herramientas de corte mantenidas apropiadamente, con bordes de corte afilados, se atoren, y dichas herramientas son más fáciles de controlar.

Utilice la herramienta mecánica, los accesorios, las brocas de la herramienta, etc., de acuerdo con estas instrucciones, teniendo en cuenta las condiciones de trabajo y el trabajo que se vaya a realizar. El uso de la herramienta mecánica para operaciones distintas a aquéllas para las que fue diseñada podría causar una situación peligrosa.

Mantenga secos, limpios y libres de aceite y grasa los mangos y las superficies de agarre. Si están resbalosos, los mangos y las superficies de agarre no permiten un manejo y un control seguros de la herramienta en situaciones inesperadas.

► Servicio de ajustes y reparaciones

Haga que su herramienta mecánica reciba servicio de un técnico de reparaciones calificado, utilizando únicamente piezas de repuesto idénticas. Esto asegurará que se mantenga la seguridad de la herramienta mecánica.

Normas de seguridad para cepillos mecánicos

Espera a que el cortador se detenga antes de dejar la herramienta en algún lugar. Un cortador expuesto se puede enganchar en la superficie y causar una posible pérdida de control y lesiones graves.

Sujete la herramienta eléctrica por las superficies de agarre con aislamiento, porque es posible que el cortador entre en contacto con su propio cordón. Si corta un cable "con corriente", puede hacer que las partes metálicas de la herramienta que están al descubierto "lleven corriente" y el resultado podría ser una descarga eléctrica al operador.

Use abrazaderas u otro modo práctico de sujetar y soportar la pieza de trabajo en una plataforma estable. Si sostiene la pieza de trabajo con la mano o contra el cuerpo, dicha pieza quedará inestable y es posible que cause pérdida de control.

Arranque siempre el cepillo mecánico antes de que la cuchilla entre en contacto con la pieza de trabajo y deje que la cuchilla alcance toda su velocidad. La herramienta puede vibrar o chirriar si la velocidad de la cuchilla es demasiado lenta al comienzo del corte y es posible que cause retroceso.

Compruebe si la pieza de trabajo tiene clavos. Si hay clavos, quítelos o clávelos hasta que estén bien por debajo de la superficie acabada que se desea obtener. Si las cuchillas del cepillo mecánico golpean objetos como clavos, pueden hacer que la herramienta experimente retroceso y el resultado puede ser lesiones personales graves.

Desenchufe el cepillo mecánico antes de cambiar accesorios. Antes de enchufar la herramienta, asegúrese de que el cierre del gatillo esté en la posición de apagado. Pueden ocurrir arranques accidentales si el cepillo mecánico se enchufa mientras se está cambiando un accesorio.

Después de cambiar las cuchillas, gire el cilindro de las cuchillas (tambor de corte) para asegurarse de que las cuchillas no estén golpeando ninguna parte de la carcasa de la cabeza de las cuchillas y de que los tornillos de fijación de las cuchillas estén apretados. Las cuchillas que giran podrían golpear la carcasa de la herramienta y dañar la herramienta, así como causar posibles lesiones.

Sujete siempre firmemente la herramienta con las dos manos para tener un control máximo.

Nunca tire del cepillo mecánico hacia atrás sobre la pieza de trabajo. Podría producirse pérdida de control.

No ponga los dedos ni ningún otro objeto en el orificio de salida de virutas, ni retire las virutas mientras la herramienta esté en marcha. El contacto con el tambor de las cuchillas causará lesiones.

Saque el enchufe de la fuente de energía si es necesario quitar las virutas. Las cuchillas están ocultas de la vista y es posible que usted se corte si toca alguna de ellas.

Nunca utilice cuchillas desafiladas o dañadas. Las cuchillas afiladas deben manejarse con cuidado. Las cuchillas

Normas de seguridad para cepillos mecánicos

dañadas pueden romperse bruscamente durante el uso. Si las cuchillas están desafiladas, se requiere más fuerza para empujar la herramienta, lo cual puede causar la rotura de la cuchilla.

Advertencias de seguridad adicionales

Un GFCI y los dispositivos de protección personal, como guantes de goma y calzado de goma de electricista, mejorarán más su seguridad personal.

No use herramientas mecánicas con capacidad nominal solamente para CA con una fuente de energía de CC. Aunque pueda parecer que la herramienta funciona correctamente, es probable que los componentes eléctricos de la herramienta con capacidad nominal para CA fallen y creen un peligro para el operador.

Mantenga los mangos secos, limpios y libres de aceite y grasa. Las manos resbalosas no pueden controlar de modo seguro la herramienta mecánica.

Desarrolle un programa de mantenimiento periódico de la herramienta. Cuando limpie una herramienta, tenga cuidado de no desmontar ninguna de sus partes, ya que los cables internos podrían reubicarse incorrectamente o pellizcarse, o los resortes de retorno de los protectores de seguridad podrían montarse incorrectamente. Ciertos agentes de limpieza, tales como gasolina, tetracloruro de carbono, amoníaco, etc., podrían dañar las piezas de plástico.

Riesgo de lesiones para el usuario. El cordón de energía debe recibir servicio de ajustes y reparaciones solamente por un Centro de Servicio de Fábrica Bosch o una Estación de Servicio Bosch Autorizada.








⚠ ADVERTENCIA Cierta **polvo generado por el lijado, aserrado, amolado y taladrado mecánicos, y por otras actividades de construcción, contiene agentes químicos que se sabe que causan cáncer, defectos de nacimiento u otros daños sobre la reproducción. Algunos ejemplos de estos agentes químicos son:**

- Plomo de pinturas a base de plomo,
- Sílice cristalina de ladrillos y cemento y otros productos de mampostería, y
- Arsénico y cromo de madera tratada químicamente.

Su riesgo por causa de estas exposiciones varía, dependiendo de con cuánta frecuencia realice este tipo de trabajo. Para reducir su exposición a estos agentes químicos: trabaje en un área bien ventilada y trabaje con equipo de seguridad aprobado, como por ejemplo máscaras antipolvo que estén diseñadas especialmente para impedir mediante filtración el paso de partículas microscópicas.

Símbolos

Importante: Es posible que algunos de los símbolos siguientes se usen en su herramienta. Por favor, estúdielos y aprenda su significado. La interpretación adecuada de estos símbolos le permitirá utilizar la herramienta mejor y con más seguridad.

Símbolo	Désignación / Explicación
V	Volt (tensión)
Ah	Amperios-hora (medición de la capacidad de la batería)
A	Ampere (corriente)
Hz	Hertz (frecuencia, ciclos por segundo)
W	Watt (potencia)
kg	Kilogramo (peso)
min	Minuto (tiempo)
s	Segundo (tiempo)
∅	Diámetro (tamaño de las brocas taladradoras, muelas, etc)
n_0	Velocidad sin carga (velocidad rotacional sin carga)
n	Velocidad nominal (máxima velocidad obtenible)
.../min	Revoluciones o alternación por minuto (revoluciones, golpes, velocidad de superficie, órbitas, etc., por minuto)
0	Posición "off" (velocidad cero, par motor cero...)
1, 2, 3, ... I, II, III,	Graduaciones del selector (graduaciones de velocidad, par motor o posición. Un número más alto significa mayor velocidad)
	Selector infinitamente variable con apagado (la velocidad aumenta desde la graduación de 0)
	Flecha (Acción en la dirección de la flecha)
	Corriente alterna (tipo o una característica de corriente)
	Corriente continua (tipo o una característica de corriente)
	Corriente alterna o continua (tipo o una característica de corriente)
	Construcción de clase II (designa las herramientas de construcción con aislamiento doble)
	Terminal de toma de tierra (terminal de conexión a tierra)

Símbolos

Importante: Es posible que algunos de los símbolos siguientes se usen en su herramienta. Por favor, estúdielos y aprenda su significado. La interpretación adecuada de estos símbolos le permitirá utilizar la herramienta mejor y con más seguridad.

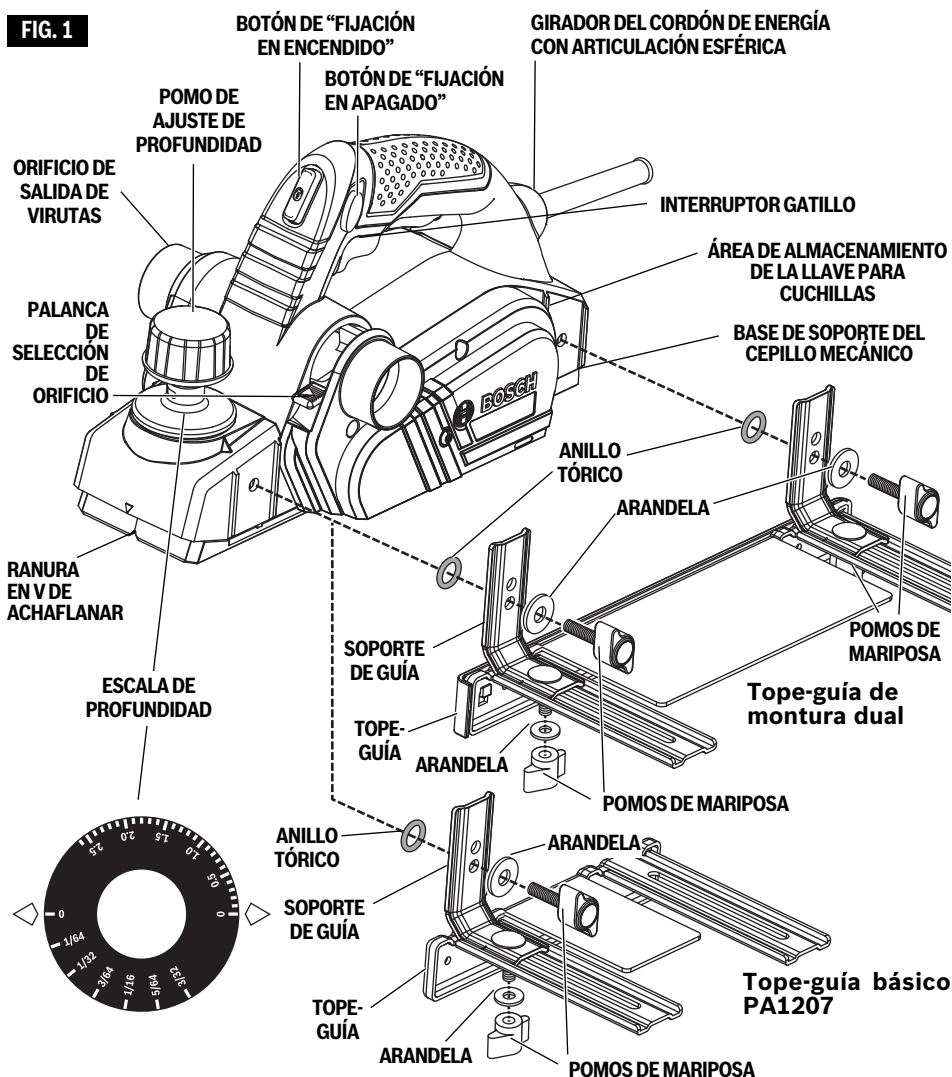
Símbolo	Désignación / Explicación
	Alerta al usuario para que lea el manual.
	Alerta al usuario para que use protección de los ojos.
	Este símbolo indica que esta herramienta está catalogada por Underwriters Laboratories.
	Este símbolo indica que este componente está reconocido por Underwriters Laboratories.
	Este símbolo indica que Underwriters Laboratories ha catalogado esta herramienta indicando que cumple con las normas estadounidenses y canadienses.
	Este símbolo indica que esta herramienta está catalogada por la Canadian Standards Association.
	Este símbolo indica que la Canadian Standards Association ha catalogado esta herramienta indicando que cumple con las normas estadounidenses y canadienses.
	Este símbolo indica que Intertek Testing Services ha catalogado esta herramienta indicando que cumple con las normas estadounidenses y canadienses.
	Este símbolo indica que esta herramienta cumple con la norma mexicana oficial (NOM).
	Designa el programa de reciclaje de baterías de Li-ion.
	Designa el programa de reciclaje de baterías de Ni-Cd.

Descripción funcional y especificaciones

ADVERTENCIA Desconecte el enchufe de la fuente de energía antes de realizar cualquier ensamblaje o ajuste, o cambiar accesorios. Estas medidas de seguridad preventivas reducen el riesgo de arrancar la herramienta accidentalmente.

Cepillo mecánico PL2632

FIG. 1



Capacidades máximas

Profundidad de acepillad . . . 0 - 3/32" (0 - 2,6 mm)

Profundidad de rebajado . . . 0 - 5/16" (0 - 9 mm)

Anchura de corte 3-1/4" (82 mm)

NOTA: Para obtener las especificaciones de la herramienta, consulte la placa del fabricante colocada en la herramienta.

Ensamblaje

⚠ ADVERTENCIA Desconecte el enchufe de la fuente de energía antes de realizar cualquier ensamblaje o ajuste, o cambiar accesorios. Estas medidas de seguridad preventivas reducen el riesgo de arrancar la herramienta accidentalmente.

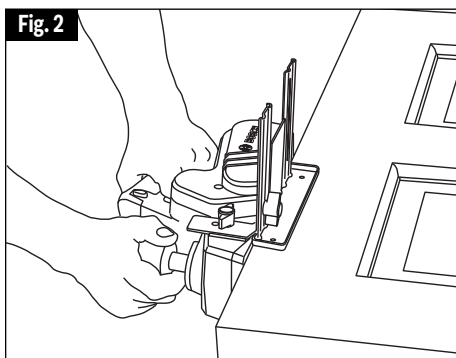
► Propósitos de los topes-guía

Los topes-guía para cepillos mecánicos Bosch tienen todos un escudo protector que cubre la sección no usada de la cuchilla. Por lo tanto, recomendamos instalar siempre un tope-guía para cepillos mecánicos (excepto en situaciones en las que la operación de acepillado tenga lugar más hacia el interior del borde de una pieza de trabajo que la anchura de la cuchilla del cepillo mecánico e interferiría con el trabajo).

Todos los topes-guía para cepillos mecánicos Bosch se pueden utilizar para controlar la anchura del corte, por ejemplo al crear rebajos (consulte la página 42).

Todos los topes-guía para cepillos mecánicos Bosch también proporcionan estabilidad adicional al acepillar materiales que midan hasta 3-1/4 pulgadas de ancho.

El tope-guía de montura dual opcional es



especialmente útil al acepillar un borde vertical, por ejemplo al acepillar una puerta que no esté montada y que esté acostada en posición plana, por ejemplo sobre caballetes de aserrar (Fig. 2).

► Posicionamiento de los topes-guía

Para uso con la mano derecha, el tope-guía se deberá instalar en el lado izquierdo de la herramienta. Para uso con la mano izquierda, el tope-guía

se deberá instalar en el lado derecho de la herramienta, excepto cuando el cepillo mecánico se utilice para crear rebajos, lo cual requiere que el tope-guía esté instalado en el lado izquierdo de la herramienta.

► Instalación del tope-guía básico

1. Coloque un tornillo de mariposa a través del agujero inferior del extremo largo del soporte, enrósquelo en la montura delantera en el lado apropiado del cepillo mecánico y apriete firmemente el pomo de mariposa. (El anillo tórico deberá estar en el lado trasero del soporte y la arandela plana deberá estar entre la parte trasera del pomo y el lado delantero del soporte.)
2. Coloque un perno a través de la parte superior del agujero ubicado en el extremo corto del soporte y luego a través de la ranura ubicada en el brazo apropiado del tope-guía. Coloque la arandela plana en la parte inferior del perno, debajo del brazo del tope-guía, y luego instale el pomo de mariposa. Si no se instala la arandela, es probable que el tope-guía se deslice.
3. Apriete firmemente el pomo de mariposa.

► Instalación de los topes-guía de montura dual

- Esto es lo mismo que instalar el tope-guía básico, excepto que ambos soportes se acoplan en el área de la montura delantera y en el área de la montura trasera del cepillo mecánico (Fig. 1).

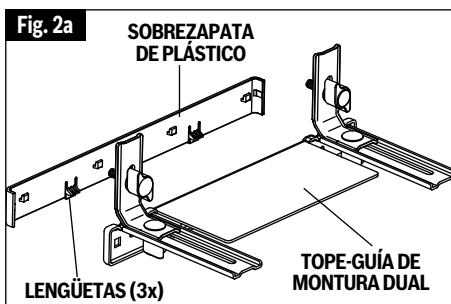
► Instalación de la sobrepata de plástico en los topes-guía de montura dual

- Hay dos sobrepatas de plástico que se pueden usar con el tope-guía de montura dual, una sobrepata recta

Ensamblaje

y una sobrepata de 3 grados (de venta por separado).

- La sobrepata de plástico con bisel de 3 grados PA1209 es especialmente útil cuando se acepillan bordes largos de puertas típicas.
- Las sobrepatas se fijan con clips al tope-guía de acero.
- Para retirar cualquiera de las dos sobrepatas, jale suavemente las lengüetas ubicadas en la sobrepata de manera que se alejen del tope-guía y luego mueva hacia arriba la sobrepata (Fig. 2a).



► Ajuste de la profundidad de acepillado deseada

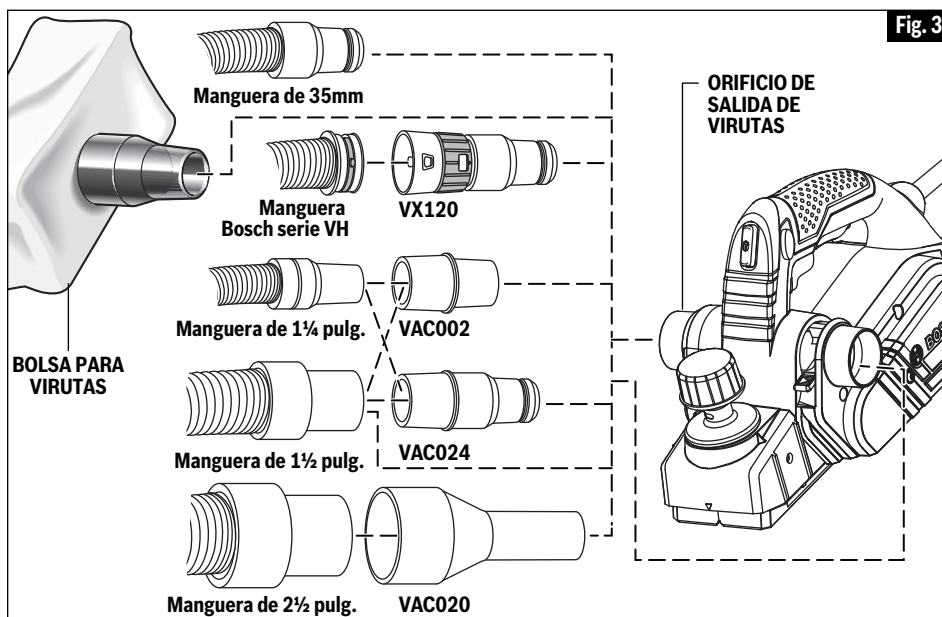
1. Afloje el pomo o los pomos de mariposa que sujetan el tope-guía al soporte o los soportes de guía.
2. Deslice el tope-guía a lo largo del soporte o los soportes de guía hasta la anchura de acepillado deseada. (Cuando utilice el tope-guía de montura dual, puede que sea necesario subir la base de soporte del cepillo mecánico antes de que se pueda alcanzar la anchura deseada.)
3. Apriete firmemente los pomos de mariposa.

► Extracción de virutas

El cepillo mecánico PL2632 viene con dos orificios de salida de virutas. Al mover la palanca selectora de orificio hasta la posición 1 (hacia la parte delantera de la herramienta), las virutas se descargan hacia la izquierda, mientras que en la posición 2 (hacia la parte trasera de la herramienta), las virutas se descargan hacia la derecha (Fig. 1).

El orificio de salida de virutas del cepillo mecánico se puede usar con una bolsa para virutas opcional (Fig. 3a) o con una aspiradora de taller y un conector de aspiración (Fig. 3b) para mantener más limpio el entorno de trabajo.

Bosch ofrece varias mangueras de



Ensamblaje

aspiración diferentes que conectarán estas herramientas a las aspiradoras Bosch. Los adaptadores Bosch VAC002 o VAC024 opcionales conectarán el cepillo mecánico a mangueras de aspiración de 1-1/4 pulgadas y 1-1/2 pulgadas, y el adaptador VAC020 opcional conectará el cepillo mecánico a mangueras de 2-1/2 pulgadas.

La aspiradora debe ser adecuada para el material en el cual se esté trabajando.

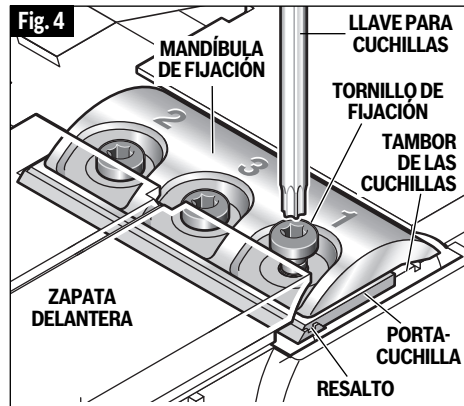
Cuando aspire polvo seco que sea especialmente perjudicial para la salud o cancerígeno, utilice una aspiradora o un extractor de polvo especial.

► Cuchillas del cepillo mecánico

⚠ ADVERTENCIA Las cuchillas del cepillo mecánico están afiladas y son frágiles, y se deben manejar con cuidado para evitar lesiones al usuario o daños a las cuchillas.

- Hay tres tipos de cuchillas que se pueden utilizar con el cepillo mecánico Bosch PL2632: minicuchillas de carburo de tungsteno (TC) estándar, minicuchillas de carburo de tungsteno de microgramo Bosch Woodrazor (equipo estándar con el cepillo mecánico Bosch PL2632) y cuchillas de acero de alta velocidad (HSS) grandes.
- Mientras que las minicuchillas de carburo de tungsteno Bosch PA1202 están más afiladas y son más duraderas que las minicuchillas de carburo de tungsteno estándar, el ensamblaje y el ajuste de las cuchillas de carburo de tungsteno tanto Woodrazor como estándar son los mismos. De aquí en adelante, todas las veces que en este manual aparezca "minicuchillas TC" se estará haciendo referencia tanto a las cuchillas Woodrazor como a las minicuchillas de carburo de tungsteno estándar.
- Para utilizar cuchillas HSS grandes con el PL2632, es necesario comprar accesorios opcionales.

⚠ ADVERTENCIA Use guantes



protectores cuando cambie las cuchillas del cepillo mecánico. Los filos están afilados y pueden causar lesiones.

▼ RETIRADA DE LAS MINICUCHILLAS DE CARBURO DE TUNGSTENO

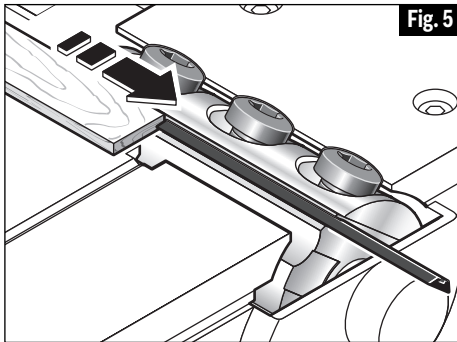
Las minicuchillas de cepillo mecánico TC tienen dos filos y se pueden invertir cuando uno de los filos se desafilé o se astille (Fig. 6). Antes de realizar cualquier trabajo en la propia máquina, desenchufe el enchufe de alimentación.

Cambie siempre ambas cuchillas al mismo tiempo. De lo contrario, el desequilibrio puede causar vibración y reducir la vida de servicio útil de la herramienta. Utilice únicamente cuchillas designadas para utilizarse con este modelo, porque otras cuchillas pueden causar vibración y reducir el rendimiento, y es posible que no se sujeten firmemente en el portacuchilla. No intente afilar ni reutilizar cualquier cuchilla TC reafileada.

Para retirar las cuchillas:

1. Rote el tambor de las cuchillas hasta que la mandíbula de fijación esté paralela a la zapata del cepillo mecánico.
2. Afloje los tres tornillos de fijación aproximadamente una revolución cada uno (no es necesario retirar la mandíbula de fijación) (Fig. 4).
3. Rote ligeramente el tambor de las cuchillas y utilice un pedazo de madera para empujar la cuchilla hacia un lado hasta sacarla de debajo de la mandíbula de fijación. Asegúrese de mantener los dedos alejados de los filos de la cuchilla. Si la cuchilla tiene

Ensamblaje



goma y es difícil de retirar, puede limpiar la cuchilla y la abrazadera con alcoholes minerales, diluyente de laca o alcohol (Fig. 5).

4. Rote 180° el tambor de las cuchillas y repita el procedimiento para retirar la segunda cuchilla. Antes de insertar una cuchilla nueva o que se haya afilado, limpie todas las superficies (las cuchillas, el retenedor y el tambor) con alcoholes minerales, diluyente de laca o alcohol, ya que esto asegurará un ajuste preciso de las cuchillas y un rendimiento apropiado de la herramienta.

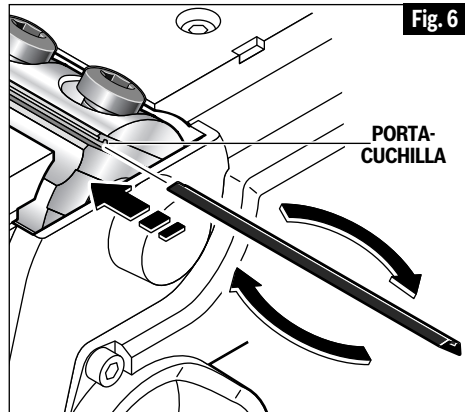
▼ INSTALACIÓN Y AJUSTE DE LAS MINICUCHILLAS DE CARBURO

Si las cuchillas y/o el portacuchilla tienen goma y son difíciles de retirar, retire las mandíbulas de fijación y los tornillos de fijación, y limpie todas las superficies con alcoholes minerales, diluyente de laca o alcohol, ya que esto asegurará un ajuste preciso de las cuchillas y un rendimiento apropiado de la herramienta. (Consulte "RETIRADA DE LOS PORTA-MINICUCHILLAS TC Y RETENEDORES")

Para realizar la instalación, deslice cuidadosamente las cuchillas sobre los salientes de los portacuchillas.

Para asegurar un funcionamiento apropiado y un corte uniforme, las cuchillas se deben posicionar de manera que estén:

- Centradas respecto a las zapatas delantera y trasera.
- Alineadas una con otra.
- Posicionadas de manera que no toquen ninguna parte del cepillo



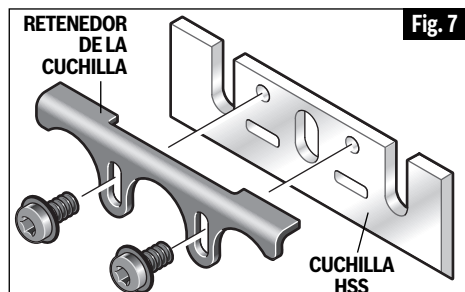
mecánico al rotarlas.

- Presionadas uniformemente hacia atrás, hacia el portacuchilla, para asegurarse de que estén niveladas.

▼ PROCEDIMIENTO DE INSTALACIÓN

1. Alinee la ranura ubicada en la parte superior de la cuchilla con el saliente del portacuchilla y deslice cuidadosamente la cuchilla sobre el portacuchilla, de la manera que se muestra en la Figura 6.
2. Utilizando un bloque de madera, empuje la cuchilla TC hacia atrás, hacia el portacuchilla, de manera que el lado interno de la cuchilla esté presionado contra la parte inclinada del portacuchilla (esto asegurará que las cuchillas estén niveladas).
3. Luego, apriete los tornillos de fijación Torx utilizando la secuencia correcta de apriete (1, 2, 3), de la manera que se muestra en la Figura 4, y el cepillo mecánico estará listo para utilizarse.

Tornillos del retenedor de la cuchilla: En circunstancias normales, la posición del retenedor de los porta-minicuchillas TC



Ensamblaje

no necesita reajuste. De hecho, los tornillos que sujetan el retenedor al portacuchilla están sellados en la fábrica con un compuesto de sujeción amarillo que no se deberá alterar. Sin embargo, si usted cree que se deben hacer ajustes, el ajuste apropiado es crucial, y lo mejor es que lo realice un Centro de Servicio de Fábrica Bosch o un Centro de Servicio Autorizado Bosch.

▼ CONVERSIÓN A CUCHILLAS DE ACERO DE ALTA VELOCIDAD

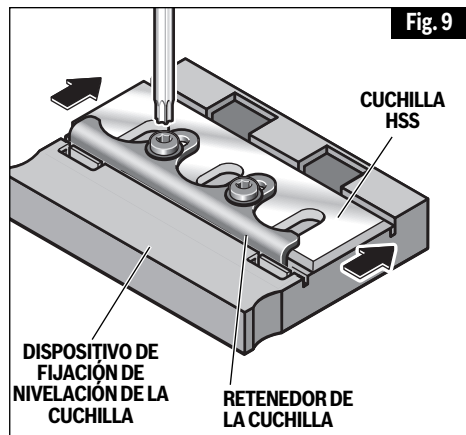
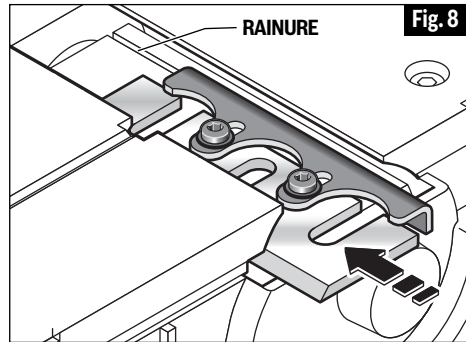
El cepillo mecánico PL2632 se puede convertir para aceptar cuchillas HSS grandes. La conversión requiere las cuchillas HSS PA1204 opcionales con retenedores (pareja) (Fig. 7). También se pueden comprar por separado parejas adicionales de cuchillas HSS, las cuchillas HSS grandes PA1205.

▼ RETIRADA DE LOS PORTAMINICUCHILLAS TC Y RETENEDORES

1. Rote el tambor de las cuchillas hasta que la mandíbula de fijación esté paralela a la zapata del cepillo mecánico.
2. Afloje completamente los tres tornillos de fijación y retire los tornillos y la mandíbula de fijación.
3. Rote ligeramente el tambor de las cuchillas y utilice un pedazo de madera para empujar la cuchilla, el portacuchilla y el retenedor hasta separarlos del tambor de las cuchillas. Asegúrese de mantener los dedos alejados de los filos de la cuchilla. Si la cuchilla tiene goma y es difícil de retirar, puede limpiar la cuchilla y la abrazadera con alcoholes minerales, diluyente de laca o alcohol.
4. Rote 180° el tambor de las cuchillas y repita el procedimiento para retirar la segunda cuchilla.

▼ INSTALACIÓN Y AJUSTE DE LAS CUCHILLAS HSS Y LOS RETENEDORES

Antes de insertar una cuchilla nueva o que se haya afilado, limpie todas las superficies (las cuchillas, el retenedor y el tambor) con alcoholes minerales, diluyente de laca o alcohol, ya que esto asegurará un ajuste preciso de las cuchillas y un rendimiento apropiado de



la herramienta.

Las cuchillas de cepillo mecánico nuevas o reafiladas se deben nivelar apropiadamente antes de instalarlas, utilizando el dispositivo de nivelación de cuchillas HSS PA1206 opcional (las cuchillas HSS PA1204 con retenedores se nivelan en la fábrica).

Para asegurar un funcionamiento correcto y un corte uniforme, las cuchillas se deben posicionar de manera que estén:

- Centradas respecto a las zapatas delantera y trasera.
- Alineadas una con otra.
- Posicionadas de manera que no toquen ninguna parte del cepillo mecánico al rotarlas.

Procedimiento:

1. Para instalar las cuchillas, deslice cuidadosamente el ensamblaje de cuchilla/retenedor hacia un lado hasta que esté sobre una de las dos áreas de fijación ubicadas en el

Ensamblaje

tambor de las cuchillas. El retenedor debe acoplarse en la ranura (Fig. 8)

2. Coloque una mandíbula de fijación orientada adecuadamente sobre la cuchilla (Fig. 4).
3. Apriete los tres tornillos de fijación con la llave Torx, utilizando la secuencia correcta de apriete (1, 2, 3) (Fig. 4).
4. Rote 180° el tambor de las cuchillas y repita el procedimiento para la segunda abrazadera de cuchilla.

▼ RETIRADA DE CUCHILLAS HSS GRANDES

Para retirar las cuchillas:

1. Rote el tambor de las cuchillas hasta que la mandíbula de fijación esté paralela a la zapata del cepillo mecánico.
2. Afloje y retire los tres tornillos de fijación con la llave Torx.
3. Retire también la mandíbula de fijación.
4. Rote ligeramente el tambor de las cuchillas y utilice un pedazo de madera para empujar la cuchilla y el retenedor hacia un lado hasta sacarlos del tambor de las cuchillas. Asegúrese de mantener los dedos alejados de los filos de la cuchilla. Si la cuchilla tiene goma y es difícil de retirar, puede limpiar la cuchilla y la abrazadera con alcoholes minerales, diluyente de laca o alcohol.

Rote 180° el tambor de las cuchillas y repita el procedimiento para retirar la segunda cuchilla.

▼ REAFILADO DE LAS CUCHILLAS HSS

Las cuchillas de cepillo mecánico HSS desgastadas o desafiladas se pueden reafilar. Se deberá mantener el ángulo óptimo de 50° de la cuchilla al afilarla. Una vez que se haya retirado un total de 6 mm de acero de las puntas de las cuchillas, ambas cuchillas se deben reemplazar, debido a que la altura mínima de la cuchilla HSS es de 23 mm desde la parte trasera hasta la punta.

▼ NIVELACIÓN DE LAS CUCHILLAS HSS

Se necesita un accesorio de nivelación de cuchillas HSS PA1206 (accesorio opcional) para nivelar las cuchillas HSS nuevas o reafiladas. (No se necesita con las cuchillas HSS y retenedores PA1204, que se nivelan en la fábrica.)

1. Coloque la cuchilla y el retenedor de la cuchilla sobre el dispositivo de nivelación y asegúrese de que el retenedor de la cuchilla se acople en las ranuras diseñadas para este propósito (Fig. 9)
2. Presione la cuchilla del cepillo mecánico contra el tope ubicado delante del filo, para lograr la profundidad y la uniformidad (nivelación) adecuadas, y con el retenedor de la cuchilla en esta posición, apriétela con los tornillos de fijación. Esto ajustará automáticamente la cuchilla a la altura y nivelación correctas.
3. Apriete los tornillos del retenedor.
4. Retire el ensamblaje de cuchilla y retenedor del dispositivo de nivelación.
5. Repita el procedimiento para la segunda cuchilla.

Instrucciones de funcionamiento

⚠ ADVERTENCIA Desconecte el enchufe de la fuente de energía antes de realizar cualquier ensamblaje o ajuste, o cambiar accesorios. Estas medidas de seguridad preventivas reducen el riesgo de arrancar la herramienta accidentalmente.

► Interruptor gatillo de "Encendido y Apagado"

⚠ ADVERTENCIA Agarre la herramienta con las dos manos mientras la pone en marcha, ya que la fuerza de torsión del motor puede hacer que la herramienta se tuerza.

⚠ ADVERTENCIA Si el botón de "Fijación en ENCENDIDO" está siendo presionado continuamente, no se puede soltar el gatillo.

⚠ ADVERTENCIA No deje nunca el gatillo bloqueado en la posición de "ENCENDIDO". Antes de enchufar la herramienta, compruebe que el cierre del gatillo esté en la posición de "APAGADO". Los arranques accidentales podrían causar lesiones.

⚠ ADVERTENCIA Conozca la ubicación y el ajuste del botón de "Fijación en ENCENDIDO" del interruptor. Si el interruptor está bloqueado en la posición de "ENCENDIDO" durante el uso, esté preparado para, en situaciones de emergencia, ponerlo en la posición de "APAGADO".

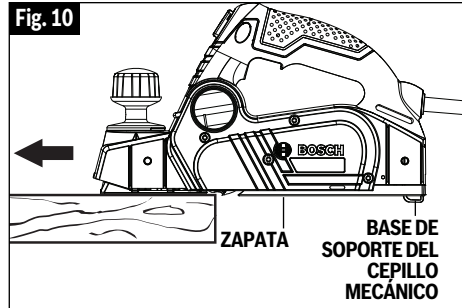
PARA "ENCENDER" LA HERRAMIENTA: Presione el botón de "Fijación en APAGADO" en cualquiera de los dos lados de la herramienta y apriete el interruptor gatillo.

PARA "APAGAR" LA HERRAMIENTA: Simplemente suelte el interruptor gatillo.

Su cepillo mecánico también está equipado con un botón de "Fijación en APAGADO" ubicado en la parte delantera del mango, que permite utilizar el cepillo de manera continua sin apretar el gatillo.

PARA BLOQUEAR EL INTERRUPTOR EN LA POSICIÓN DE ENCENDIDO: Apriete completamente el interruptor gatillo, presione el botón de "Fijación en ENCENDIDO" y suelte el gatillo.

PARA DESBLOQUEAR EL INTERRUPTOR: Apriete el interruptor



gatillo y suéltelo sin presionar el botón de "Fijación en ENCENDIDO".

► Girador del cordón de energía

La articulación esférica giratoria ubicada en el cordón de energía facilita el posicionamiento de dicho cordón de manera que haga más fácil el uso de la herramienta (Fig. 1).

► Acción de acepillado

La acción de acepillado correcta ayuda a lograr el resultado deseado. Con práctica y experiencia, le será muy fácil realizarla. Asegúrese de que la pieza de trabajo esté sujeta firmemente en la posición deseada sobre la superficie de trabajo y, situándose cómodamente de pie, agarre firmemente el cepillo mecánico con las dos manos.

1. Con el cepillo mecánico completamente ajustado, coloque la zapata delantera sobre la pieza de trabajo (asegúrese de que el tambor de las cuchillas no esté en contacto con la pieza de trabajo) y arranque el cepillo mecánico de la manera que se describió anteriormente.
2. Con presión sobre la zapata delantera y con el tope-guía contra el lado de la pieza de trabajo (para controlar la anchura o el ángulo), haga avanzar firmemente el cepillo mecánico hasta que toda la longitud de la zapata trasera pase sobre el borde de la pieza de trabajo (Fig. 10).

Instrucciones de funcionamiento

3. Luego, transfiera gradualmente la presión a la zapata trasera y siga acepillando hasta el final del corte.
4. Si no se mantiene la presión sobre la zapata trasera hasta el final del corte, se podría crear una peladura en la pieza de trabajo una vez que la zapata delantera sobrepase el extremo de la pieza de trabajo. Para minimizar esta posibilidad, utilice una abrazadera de borde de 3 posiciones para sujetar un pedazo de madera de desecho (de por lo menos 1-1/2 pulgadas (38 mm) de grosor) sobre el extremo de la pieza de trabajo, alineado con la superficie que se vaya a acepillar (Fig. 11). Al hacer esto se traslada la ubicación de una peladura potencial fuera de la pieza de trabajo, al pedazo de madera de desecho.
5. Haga avanzar el cepillo mecánico a una velocidad uniforme y razonable que no ponga esfuerzo excesivo en el motor ni en las cuchillas, (no jale el cepillo mecánico hacia atrás sobre la superficie que ya esté cortada.)
6. Realice cortes progresivos hasta que esté cerca de la profundidad deseada y luego reajuste a un corte delgado para realizar la pasada final, con el fin de obtener un buen acabado de la superficie.

⚠ PRECAUCIÓN Puede que el motor se detenga si se utiliza incorrectamente o se sobrecarga. Reduzca la presión (velocidad de avance) o la profundidad de corte para evitar posibles daños a la herramienta si el motor funciona con dificultad.

► Profundidad de corte y velocidad de avance

La profundidad de corte (profundidad de cepillado) está determinada por la diferencia de altura entre la zapata delantera ajustable y la zapata trasera fija del cepillo mecánico. El pomo de profundidad ajusta la zapata delantera, que se retrae y deja al descubierto la cuchilla, y determina la cantidad de material que se retira de la pieza de trabajo. El intervalo de profundidad de corte es de 0 a 3/32 de pulgada (2,6 mm) por pasada (Fig. 1).

La profundidad de corte y la velocidad

Fig. 11

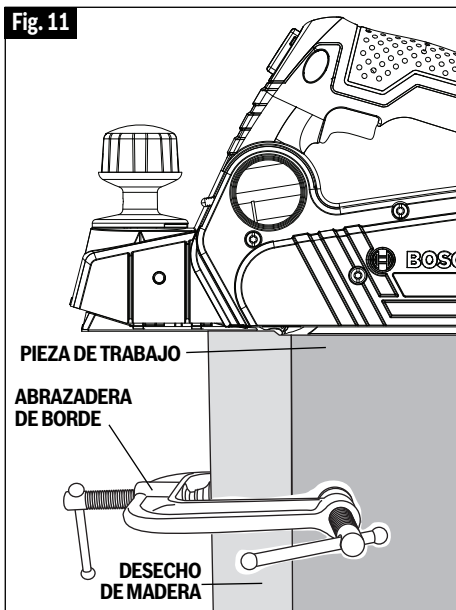


Fig. 12

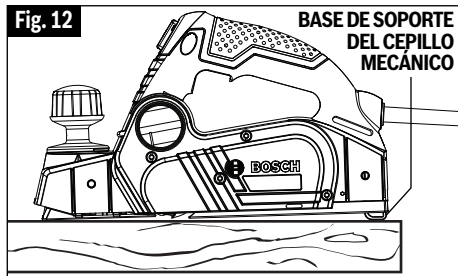
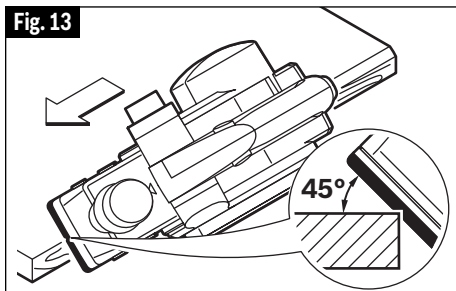


Fig. 13



de avance apropiadas dependen del material de la pieza de trabajo:

Para evitar atoramientos y/o daños al motor, es posible que se necesite un corte más delgado y/o una velocidad de avance más lenta si el material tiene cualquiera de estas características:

Instrucciones de funcionamiento

dureza, gomosidad, alto contenido de savia, humedad, pintura, barniz y/o nudos. Además, al acepillado contra la veta o transversalmente a la veta, en lugar de con la veta, se requiere un corte menos profundo y/o una velocidad de avance más lenta. Siempre que sea posible, haga una prueba acepillando un pedazo de material de desecho similar. Realice múltiples cortes progresivos para lograr la profundidad total deseada.

Comience con un corte delgado. Si el cepillo mecánico se mueve libremente a través de la pieza de trabajo sin que se produzca una carga excesiva en el motor, el ajuste de profundidad se puede aumentar antes del próximo corte.

Cuando esté cerca de la profundidad total deseada, reajuste la profundidad de acepillado a una posición poco profunda para realizar el corte final, con el fin de obtener un buen acabado de la superficie.

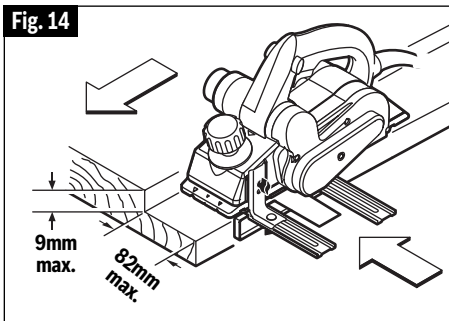
Ajuste de la profundidad de corte: Rote el pomo de ajuste de profundidad hasta que el indicador esté alineado con la profundidad de corte deseada en la escala de profundidad (Fig. 1).

► Base de soporte del cepillo mecánico

La base de soporte del cepillo mecánico baja automáticamente por resorte para ayudar a evitar que la cuchilla entre en contacto con la superficie de la pieza de trabajo cuando no se esté utilizando el cepillo mecánico (Fig. 12). La base de soporte del cepillo mecánico está diseñada para oscilar por sí misma hacia arriba, apartándose del paso, cuando la parte trasera del cepillo mecánico cruce el borde de avance de la pieza de trabajo (Fig. 10). También oscilará hacia arriba cuando la operación de acepillado comience en el centro de la pieza de trabajo (hacia dentro desde el borde de la pieza de trabajo).

► Biselado de bordes

La ranura en V ubicada en la placa-base delantera del cepillo mecánico permite biselar rápida y fácilmente los bordes de la pieza de trabajo (Fig. 13).



► Rebajado

Aunque todos los topes-guía para cepillos mecánicos Bosch compatibles se pueden utilizar con la PL2632 para rebajar (lo cual a veces se conoce como "traslapar"), el mejor tope-guía para este propósito es el tope-guía de montura dual opcional.

La PL2632 puede crear rebajos de hasta 82 mm / 3-1/2 pulgadas de ancho. (Fig. 14). Tenga presente que se requiere una presión lateral firme, así como muchas pasadas, para crear rebajos usando un cepillo mecánico.

► Desobstrucción del sistema de salida de virutas

⚠ ADVERTENCIA Saque el enchufe de la fuente de energía si llega a ser necesario retirar manualmente las virutas. Las cuchillas están ocultas a la vista y puede que usted se corte si entra en contacto con ellas.

Para minimizar la posibilidad de atoramiento, asegúrese de que:

1. La profundidad de corte sea razonable para el material.
2. La velocidad de avance sea razonable para el material. (Consulte "Profundidad de corte y velocidad de avance").
3. Desenchufe el cepillo mecánico e inserte cuidadosamente un destornillador o un objeto similar en el orificio de salida para despejar el atoramiento.

Mantenimiento

⚠ ADVERTENCIA Para evitar accidentes, desconecte siempre la herramienta y/o el cargador de la fuente de alimentación antes de realizar servicio de ajustes y reparaciones o limpieza.

► Servicio de ajustes y reparaciones

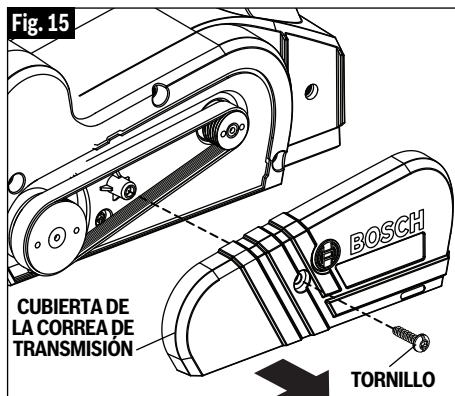
⚠ ADVERTENCIA El mantenimiento preventivo realizado por personal no autorizado puede dar lugar a la colocación incorrecta de cables y componentes internos que podría causar un peligro grave. Recomendamos que todo el servicio de ajustes y reparaciones de las herramientas sea realizado por un Centro de Servicio de Fábrica Bosch o una Estación de Servicio Bosch Autorizada.

► Lubricación de las herramientas

Su herramienta Bosch ha sido lubricada apropiadamente y está lista para utilizarse. Se recomienda que las herramientas con engranajes se reengrasen con un lubricante especial para engranajes en cada cambio de escobillas.

► Escobillas de carbono

Las escobillas y el conmutador de su herramienta han sido diseñados para brindar muchas horas de servicio confiable. Para mantener la máxima eficiencia del motor, recomendamos que las escobillas se examinen cada dos a seis meses. Sólo se deberán usar escobillas de repuesto Bosch genuinas diseñadas especialmente para su herramienta.



► Rodamientos

Los rodamientos que se vuelvan ruidosos (debido a una carga pesada o a que se corte un material muy abrasivo) se deberán reemplazar de inmediato para evitar el sobrecalentamiento o la falla del motor.

► Limpieza

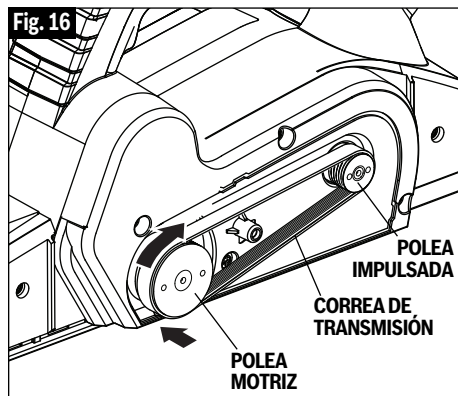
⚠ PRECAUCIÓN Ciertos agentes y solventes de limpieza dañan las piezas de plástico. Algunos de estos son: gasolina, tetracloruro de carbono, solventes de limpieza clorados, amoníaco y detergentes domésticos que contienen amoníaco.

Las aberturas de ventilación y las palancas de interruptor se deben mantener limpias y libres de materias extrañas. No intente limpiar insertando objetos puntiagudos a través de las aberturas.

Limpie regularmente la base de soporte del cepillo mecánico y asegúrese de que regrese libremente hacia atrás por acción de resorte.

► Correa de transmisión

La correa de transmisión es una pieza que requiere mantenimiento normal y se deberá inspeccionar periódicamente para comprobar si está desgastada. Si la correa de transmisión muestra señales de estar secándose, agrietándose o desgarrándose, deberá ser reemplazada.



Mantenimiento

Si la correa de transmisión no describe su trayectoria adecuadamente o si se sale de las poleas, deberá ser reemplazada.

Instalación de una correa de transmisión nueva: Afloje el tornillo y retire la cubierta de la correa de transmisión (Fig. 15). Corte y retire la correa de transmisión desgastada. Antes de instalar la correa de transmisión

nueva, limpie a fondo las dos poleas. Coloque primero la correa de transmisión nueva en la polea motriz y luego rótele en el sentido de las agujas del reloj a la vez que empuja la correa sobre la polea impulsada (Fig. 16). Reinstale la cubierta de la correa de transmisión y apriete firmemente el tornillo (Fig. 15).

Cordones de extensión

ADVERTENCIA Si es necesario un cordón de extensión, se debe usar un cordón con conductores de tamaño adecuado que sea capaz de transportar la corriente necesaria para la herramienta. Esto evitará caídas de tensión excesivas, pérdida de potencia o recalentamiento. Las herramientas conectadas a tierra deben usar cordones de extensión de 3 hilos que tengan enchufes de 3 terminales y receptáculos para 3 terminales.

NOTA: Cuanto más pequeño sea el número de calibre, más alta será la capacidad del cordón.

TAMAÑOS RECOMENDADOS DE CORDONES DE EXTENSION HERRAMIENTAS DE 120 V CORRIENTE ALTERNA

Capacidad nominal en amperes de la herramienta	Tamaño del cordón en A.W.G.				Tamaños del cable en mm ²			
	Longitud del cordón en pies				Longitud del cordón en metros			
	25	50	100	150	15	30	60	120
3-6	18	16	16	14	0.75	0.75	1.5	2.5
6-8	18	16	14	12	0.75	1.0	2.5	4.0
8-10	18	16	14	12	0.75	1.0	2.5	4.0
10-12	16	16	14	12	1.0	2.5	4.0	-
12-16	14	12	-	-	-	-	-	-

Aditamentos y accesorios

⚠ ADVERTENCIA Es posible que el uso de cualquier otro aditamento o accesorio no especificado en este manual cree un peligro.

Almacene los accesorios en un ambiente seco y templado para evitar la corrosión y el deterioro.

Descripción	Se incluye(n)	Se vende(n) por separado
Accesorios		
Llave de tuerca para cuchillas Torx T30	●	●
PA1202 Cuchilla de carburo de tungsteno de micrograno reversible Woodrazor (2)	●	●
Cuchillas HSS PA1204	-	●
Cuchillas HSS grandes PA1205	-	●
Dispositivo de nivelación de cuchillas HSS PA1206	-	●
Aditamentos		
PA1207 Tope-guía estándar	-	●
Tope-guía de montura dual con sobrepata de plástico	-	●
Adaptadores de manguera de aspiración	-	●
Mangueras de aspiración	-	●
Bolsa para virutas	-	●
PA1209 Sobrepata con bisel de 3 grados para el tope-guía de montura dual	-	●

LIMITED WARRANTY OF BOSCH PORTABLE AND BENCHTOP POWER TOOLS

Robert Bosch Tool Corporation ("Seller") warrants to the original purchaser only, that all BOSCH portable and benchtop power tools will be free from defects in material or workmanship for a period of one year from date of purchase. SELLER'S SOLE OBLIGATION AND YOUR EXCLUSIVE REMEDY under this Limited Warranty and, to the extent permitted by law, any warranty or condition implied by law, shall be the repair or replacement of parts, without charge, which are defective in material or workmanship and which have not been misused, carelessly handled, or misrepaired by persons other than Seller or Authorized Service Station. To make a claim under this Limited Warranty, you must return the complete portable or benchtop power tool product, transportation prepaid, to any BOSCH Factory Service Center or Authorized Service Station. For Authorized BOSCH Power Tool Service Stations, please refer to your phone directory.

THIS LIMITED WARRANTY DOES NOT APPLY TO ACCESSORY ITEMS SUCH AS CIRCULAR SAW BLADES, DRILL BITS, ROUTER BITS, JIGSAW BLADES, SANDING BELTS, GRINDING WHEELS AND OTHER RELATED ITEMS.

ANY IMPLIED WARRANTIES SHALL BE LIMITED IN DURATION TO ONE YEAR FROM DATE OF PURCHASE. SOME STATES IN THE U.S., SOME CANADIAN PROVINCES DO NOT ALLOW LIMITATIONS ON HOW LONG AN IMPLIED WARRANTY LASTS, SO THE ABOVE LIMITATION MAY NOT APPLY TO YOU.

IN NO EVENT SHALL SELLER BE LIABLE FOR ANY INCIDENTAL OR CONSEQUENTIAL DAMAGES (INCLUDING BUT NOT LIMITED TO LIABILITY FOR LOSS OF PROFITS) ARISING FROM THE SALE OR USE OF THIS PRODUCT. SOME STATES IN THE U.S. AND SOME CANADIAN PROVINCES DO NOT ALLOW THE EXCLUSION OR LIMITATION OF INCIDENTAL OR CONSEQUENTIAL DAMAGES, SO THE ABOVE LIMITATION OR EXCLUSION MAY NOT APPLY TO YOU.

THIS LIMITED WARRANTY GIVES YOU SPECIFIC LEGAL RIGHTS, AND YOU MAY ALSO HAVE OTHER RIGHTS WHICH VARY FROM STATE TO STATE IN THE U.S., PROVINCE TO PROVINCE IN CANADA AND FROM COUNTRY TO COUNTRY.

THIS LIMITED WARRANTY APPLIES ONLY TO PORTABLE AND BENCHTOP ELECTRIC TOOLS SOLD WITHIN THE UNITED STATES OF AMERICA, CANADA AND THE COMMONWEALTH OF PUERTO RICO. FOR WARRANTY COVERAGE WITHIN OTHER COUNTRIES, CONTACT YOUR LOCAL BOSCH DEALER OR IMPORTER.

GARANTIE LIMITÉE DES OUTILS ÉLECTRIQUES PORTATIFS ET D'ÉTABLI BOSCH

Robert Bosch Tool Corporation (le « vendeur ») garantit à l'acheteur initial seulement que tous les outils électriques portatifs et d'établi BOSCH seront exempts de vices de matériaux ou d'exécution pendant une période d'un an depuis la date d'achat. LA SEULE OBLIGATION DU VENDEUR ET LE SEUL RECOURS DE L'ACHETEUR sous la présente garantie limitée, et en autant que la loi le permette sous toute garantie ou condition implicite qui en découlerait, sera l'obligation de remplacer ou réparer gratuitement les pièces défectueuses matériellement ou comme fabrication, pourvu que lesdites déficiences ne soient pas attribuables à un usage abusif ou à quelque réparation bricolée par quelqu'un d'autre que le vendeur ou le personnel d'une station-service agréée. Pour présenter une réclamation en vertu de cette garantie limitée, vous devez renvoyer l'outil électrique portatif ou d'établi complet, port payé, à tout centre de service agréé ou centre de service usine. Veuillez consulter votre annuaire téléphonique pour les adresses.

LA PRÉSENTE GARANTIE NE S'APPLIQUE PAS AUX ACCESSOIRES TELS QUE LAMES DE SCIÉS CIRCULAIRES, MÊCHES DE PERCEUSES, FERS DE TOUPIES, LAMES DE SCIÉS SAUTEUSES, COURROIES DE PONÇAGE, MEULES ET AUTRES ARTICLES DU GENRE.

TOUTE GARANTIE IMPLICITE SERA LIMITÉE COMME DURÉE À UN AN À COMPTER DE LA DATE D'ACHAT. CERTAINS ÉTATS AMÉRICAINS, CERTAINES PROVINCES CANADIENNES N'ADMETTANT PAS LE PRINCIPE DE LA LIMITATION DE LA DURÉE DES GARANTIES IMPLICITES, IL EST POSSIBLE QUE LES LIMITATIONS CI-DESSUS NE S'APPLIQUENT PAS À VOTRE CAS.

EN AUCUN CAS LE VENDEUR NE SAURAIT ÊTRE TENU POUR RESPONSABLE DES INCIDENTS OU DOMMAGES INDIRECTS (INCLUANT, MAIS NE SE LIMITANT PAS AUX PERTES DE PROFITS) CONSÉCUTIFS À LA VENTE OU L'USAGE DE CE PRODUIT. CERTAINS ÉTATS AMÉRICAINS ET CERTAINES PROVINCES CANADIENNES N'ADMETTANT PAS LE PRINCIPE DE LA LIMITATION NI L'EXCLUSION DES DOMMAGES INDIRECTS ET CONSÉQUENTIELS, IL EST POSSIBLE QUE LES LIMITATIONS OU EXCLUSIONS CI-DESSUS NE S'APPLIQUENT PAS À VOTRE CAS.

LA PRÉSENTE GARANTIE VOUS ACCORDE DES DROITS BIEN DÉTERMINÉS, Y COMPRIS POSSIBLEMENT CERTAINS DROITS VARIABLES DANS LES DIFFÉRENTS ÉTATS AMÉRICAINS, PROVINCES CANADIENNES ET DE PAYS À PAYS.

CETTE GARANTIE LIMITÉE NE S'APPLIQUE QU'ÀUX OUTILS ÉLECTRIQUES PORTATIFS ET D'ÉTABLI VENDUS AUX ÉTATS-UNIS D'AMÉRIQUE, AU CANADA ET AU COMMONWEALTH DE PORTO RICO. POUR COUVERTURE DE GARANTIE DANS LES AUTRES PAYS, CONTACTEZ VOTRE IMPORTATEUR OU REVENDEUR BOSCH LOCAL.

GARANTIA LIMITADA PARA HERRAMIENTAS MECANICAS PORTATILES Y PARA TABLERO DE BANCO BOSCH

Robert Bosch Tool Corporation ("el Vendedor") garantiza, únicamente al comprador original, que todas las herramientas mecánicas portátiles y para tablero de banco BOSCH estarán libres de defectos de material o de fabricación durante un periodo de un año a partir de la fecha de compra. LA ÚNICA OBLIGACION DEL VENDEADOR Y EL RECURSO EXCLUSIVO QUE USTED TIENE bajo esta Garantía Limitada y, hasta donde la ley lo permita, bajo cualquier garantía o condición implícita por ley, consistirá en la reparación o sustitución sin costo de las piezas que presenten defectos de material o de fabricación y que no hayan sido utilizadas incorrectamente, manejadas descuidadamente o reparadas incorrectamente por personas que no sean el Vendedor o una Estación de servicio autorizada. Para efectuar una reclamación bajo esta Garantía Limitada, usted debe devolver el producto, que consiste en la herramienta mecánica portátil o para tablero de banco completa, con el transporte pagado, a cualquier Centro de servicio de fábrica o Estación de servicio autorizada. Para Estaciones de servicio autorizadas de herramientas mecánicas BOSCH, por favor, consulte el directorio telefónico.

ESTA GARANTIA LIMITADA NO SE APLICA A ARTICULOS ACCESORIOS TALES COMO HOJAS PARA SIERRAS CIRCULARES, BROCAS PARA TALADROS, BROCAS PARA FRESADORAS, HOJAS PARA SIERRAS DE VAIVEN, CORREAS PARA LIJAR, RUEDAS DE AMOLAR Y OTROS ARTICULOS RELACIONADOS.

TODAS LAS GARANTIAS IMPLICITAS TENDRAN UNA DURACION LIMITADA A UN AÑO A PARTIR DE LA FECHA DE COMPRA. ALGUNOS ESTADOS DE LOS EE.UU. Y ALGUNAS PROVINCIAS CANADIENSES NO PERMITEN LIMITACIONES EN CUANTO A LA DURACION DE UNA GARANTIA IMPLICITA, POR LO QUE ES POSIBLE QUE LA LIMITACION ANTERIOR NO SEA APLICABLE EN EL CASO DE USTED.

EL VENDEADOR NO SERA RESPONSABLE EN NINGUN CASO DE NINGUN DAÑO INCIDENTAL O EMERGENTE (INCLUYENDO PERO NO LIMITADO A RESPONSABILIDAD POR PERDIDA DE BENEFICIOS) QUE SE PRODUZCA COMO CONSECUENCIA DE LA VENTA O UTILIZACION DE ESTE PRODUCTO. ALGUNOS ESTADOS DE LOS EE.UU. Y ALGUNAS PROVINCIAS CANADIENSES NO PERMITEN LA EXCLUSION O LIMITACION DE LOS DAÑOS INCIDENTALES O EMERGENTES, POR LO QUE ES POSIBLE QUE LA LIMITACION O EXCLUSION ANTERIOR NO SEA APLICABLE EN EL CASO DE USTED.

ESTA GARANTIA LIMITADA LE CONFIERE A USTED DERECHOS LEGALES ESPECIFICOS Y ES POSIBLE QUE USTED TAMBIEN TENGA OTROS DERECHOS QUE VARIAN DE ESTADO A ESTADO EN LOS EE.UU., DE PROVINCIA A PROVINCIA EN CANADA Y DE UN PAIS A OTRO.

ESTA GARANTIA LIMITADA SE APLICA SOLAMENTE A HERRAMIENTAS ELECTRICAS PORTATILES Y PARA TABLERO DE BANCO VENDIDAS EN LOS ESTADOS UNIDOS DE AMERICA, CANADA Y EL ESTADO LIBRE ASOCIADO DE PUERTO RICO. PARA COBERTURA DE GARANTIA EN OTROS PAISES, PONGASE EN CONTACTO CON SU DISTRIBUIDOR O IMPORTADOR LOCAL DE BOSCH.

© Robert Bosch Tool Corporation 1800 W. Central Road Mt. Prospect, IL 60056-2230

Exportado por: Robert Bosch Tool Corporation Mt. Prospect, IL 60056-2230, E.U.A.

Importado en México por: Robert Bosch, S.A. de C.V., Calle Robert Bosch No. 405, Zona Industrial, Toluca, Edo. de México, C.P. 50070, Tel. (722) 2792300



2610052960 07/19

2 6 1 0 0 5 2 9 6 0