

LINEAR PROPORTIONAL CONVECTOR HEATER

Revolutionary heater with a built-in electronic thermostat for performance and reduced energy consumption.



BENEFITS

- Compact size is up to 42% smaller in length than conventional baseboards
- Up to 40% faster heat discharge, quickly spreads warmth throughout entire room
- Consumes up to 33% less energy than conventional baseboards and thermostats
- Built-in electronic thermostat accurately controls heat output, providing stable and consistent room temperatures to within 0.5°C (0.9°F) of desired set point
- Discreet styling, reduced length and added versatility of placement provide more options when designing a room
- Shark-fin heating element blade design improves heat transfer, provides quiet operation and extends product life

APPLICATIONS

All Residential Applications | Commercial Offices | Lobbies



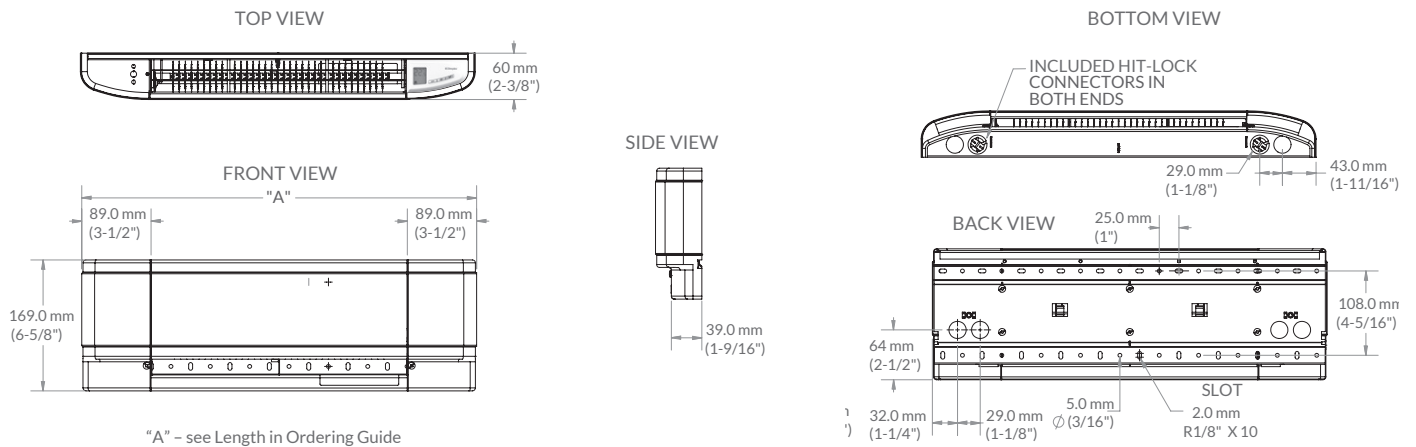
SPECIFICATIONS

Voltage	240V/208V
Wattage	Sizes ranging from 500W to 2500W
Color	White
Finish	Powder coating resists fading and abrasion
Construction	Robust, 22 gauge steel construction
Heating Element	Element is totally enclosed, providing superior life expectancy and resistance to rust
Warranty	10-year element warranty 1-year warranty on complete unit

ORDERING GUIDE

Cat. No.	Watts	Volts	BTU	Length (mm/in)	Weight (kg/lbs.)
PC2005W31	500 / 375	240 / 208	1706 / 1280	508 / 20	1.8 / 4.00
PC2507W31	750 / 563	240 / 208	2559 / 1919	635 / 25	2.1 / 4.65
PC3010W31	1000 / 750	240 / 208	3412 / 2559	762 / 30	2.4 / 5.25
PC3512W31	1250 / 938	240 / 208	4265 / 3199	889 / 35	3.0 / 6.65
PC4015W31	1500 / 1125	240 / 208	5118 / 3839	1016 / 40	3.5 / 7.75
PC5020W31	2000 / 1500	240 / 208	6824 / 5120	1270 / 50	3.8 / 8.45
PC6025W31	2500 / 1875	240 / 208	8530 / 6398	1524 / 60	4.5 / 9.95

DIMENSIONS



Can use up to 33% less energy than a standard electric baseboard with a mechanical thermostat.

NOTE: ALL KNOCK OUTS ARE 7/8" FOR 1/2" CONDUIT