

LINEAR CONVECTOR HEATER

Revolutionary design provides a sleek, compact heater profile, while improving heater performance, decreasing heat loss, and improving comfort.



BENEFITS

- Compact size is up to 42% smaller in length than conventional baseboards
- Up to 40% faster heat discharge, quickly spreads warmth throughout entire room
- Shark-fin heating element blade design improves heat transfer, provides quiet operation and extends product life
- Discreet styling, reduced length and added versatility of placement provide more options when designing a room
- May be used with wall, or top-mounted, built-in thermostat (not included)

APPLICATIONS

All Residential Applications | Commercial Offices | Lobbies



SPECIFICATIONS

Voltage	240V/208V
Wattage	Sizes ranging from 500W to 2500W
Color	White
Finish	Powder coating resists fading and abrasion
Construction	Robust, 22 gauge steel construction
Heating Element	Steel sheathed element provides superior life expectancy
Warranty	10-year element warranty 1-year warranty on complete unit

ORDERING GUIDE

Cat. No.	Watts	Volts	BTU	Length (mm/in)	Weight (kg/lbs.)
LC2005W31	500 / 375	240 / 208	1706 / 1280	508 / 20	1.7 / 3.75
LC2507W31	750 / 563	240 / 208	2559 / 1919	635 / 25	2.0 / 4.40
LC3010W31	1000 / 750	240 / 208	3412 / 2559	762 / 30	2.3 / 5.00
LC3512W31	1250 / 938	240 / 208	4265 / 3199	889 / 35	3.0 / 6.65
LC4015W31	1500 / 1125	240 / 208	5118 / 3839	1016 / 40	3.2 / 7.50
LC5020W31	2000 / 1500	240 / 208	6824 / 5120	1270 / 50	3.7 / 8.20
LC6025W31	2500 / 1875	240 / 208	8530 / 6398	1524 / 60	4.4 / 9.70

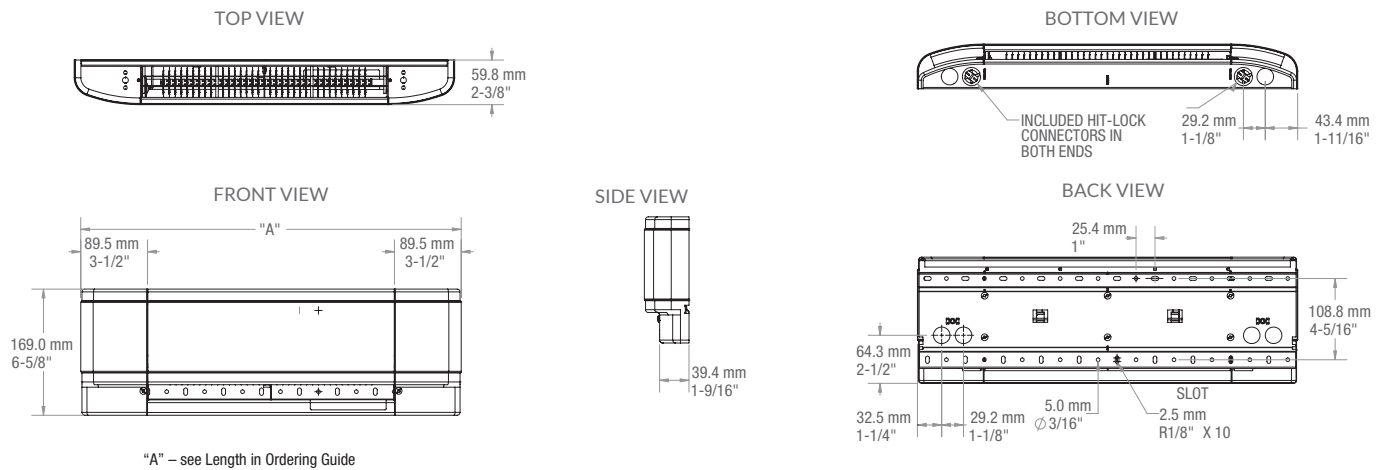
Note: Standard color is White

BUILT-IN THERMOSTATS

DTK-SP*	Single pole built-in thermostat kit (adjustable)	120-240V, 17A, 347V, 14A
DTK-DP*	Double pole built-in thermostat (adjustable)	120-240V, 17A, 347V, 11A

*Adjustable kits contain white and almond control knobs and hardware.

DIMENSIONS



NOTE: ALL KNOCK OUTS ARE 7/8" FOR 1/2" CONDUIT