

Allegro II Convectors

Thanks to their distinctive features, Allegro II series convection heaters blend elegance and performance. There are three different profiles available to ensure you can enjoy optimal comfort in any space.



COLOR

- Standard: white.

FINISH

- Standard: epoxy/polyester anti-rust powder coating resistant to UV rays

VOLTAGE

- 240/208V, 60 Hz, 1-phase

CONSTRUCTION

- Steel cabinet featuring rounded corners and grilles that prevent access to the heating element
- Double opening front air outlet that directs warm air towards the centre of the room **1**
- High-limit temperature control with automatic reset

HEATING ELEMENT

- X-shaped, monoblock element made of surface-treated extruded aluminum **2**

CONTROL

- Built-in electronic proportional-action digital thermostat, ultra-precise to 1/10 °C (1/5 °F), located at the top of the unit **3**
- LCD backlit display with digital controls lockable by key combination
- Temperature display format (°C or °F)
- "On-Off" button
- "Mode" button to choose from Comfort, Economy and Frost Protection modes
- Heating indicator light

WARRANTY

- 2-year warranty against defects
- 5-year warranty on the heating element

APPLICATION

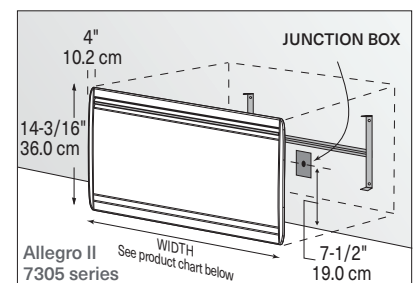
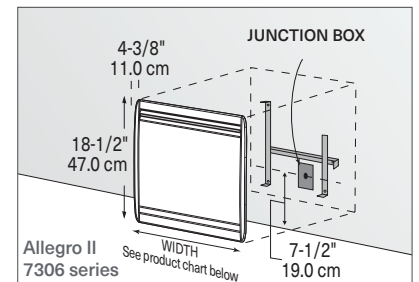
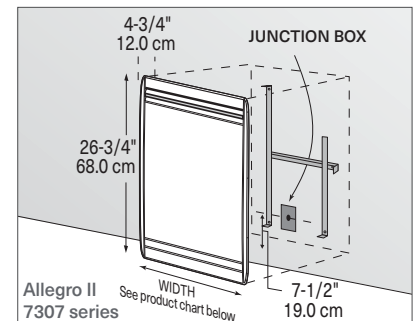
- Kitchen, living room, family room, bedroom, bay window

INSTALLATION

- Quick surface-mounted installation, with the included wall mounting bracket, that also serves as marking template
- Flexible cable with electrical wall box cover plate included
- Requires installation of a wall electrical box not supplied

Recommended installation height	
in	cm
4	10.2

Minimum clearances							
Front		Side		Above		Below	
in	cm	in	cm	in	cm	in	cm
20	50.8	6	15.2	4	10.2	4	10.2



2 year limited warranty
5-year element warranty

Allegro II Convectors

Allegro II 7305 Series

Catalogue No.	Color	Power		Height		Width		Depth		Net Weight	
		240 V	208 V	cm	in	cm	in	cm	in	kg	lb
7305-C05	BB	500 W	375 W	36.0	14-3/16	48.9	19-1/4	19.0	7-1/2	4.4	9.6
7305-C10	BB	1,000 W	750 W	36.0	14-3/16	64.9	25-9/16	19.0	7-1/2	5.4	11.9
7305-C15	BB	1,500 W	1,125 W	36.0	14-3/16	84.9	33-7/16	19.0	7-1/2	6.8	15.0
7305-C20	BB	2,000 W	1,500 W	36.0	14-3/16	112.9	44-7/16	19.0	7-1/2	8.5	18.8

Allegro II 7306 Series

Catalogue No.	Color	Power		Height		Width		Depth		Net Weight	
		240 V	208 V	cm	in	cm	in	cm	in	kg	lb
7306-C05	BB	500 W	375 W	47.0	18-1/2	40.9	16-1/8	19.0	7-1/2	4.8	10.6
7306-C10	BB	1,000 W	750 W	47.0	18-1/2	48.9	19-1/4	19.0	7-1/2	5.1	11.2
7306-C15	BB	1,500 W	1,125 W	47.0	18-1/2	64.9	25-9/16	19.0	7-1/2	6.2	13.7
7306-C20	BB	2,000 W	1,500 W	47.0	18-1/2	84.9	33-7/16	19.0	7-1/2	7.6	16.8

Allegro II 7307 Series

Catalogue No.	Color	Power		Height		Width		Depth		Net Weight	
		240 V	208 V	cm	in	cm	in	cm	in	kg	lb
7307-C05	BB	500 W	375 W	68.0	26-3/4	32.9	12-15/16	19.0	7-1/2	5.6	12.4
7307-C10	BB	1,000 W	750 W	68.0	26-3/4	40.9	16-1/8	19.0	7-1/2	6.4	14.2
7307-C15	BB	1,500 W	1,125 W	68.0	26-3/4	56.9	22-3/8	19.0	7-1/2	8.0	17.6
7307-C20	BB	2,000 W	1,500 W	68.0	26-3/4	76.9	30-1/4	19.0	7-1/2	10.4	22.9

BB = white

Depth includes the mounting brackets.



It is recommended that all units be installed by a licensed electrical contractor in accordance with national and local codes. Consult convectair.ca to find installation instructions for our heaters. Specifications, finishes and dimensions are subject to change. SE-632-R00-111221