



FOR
INCREDIBLE COMFORT

INSTALLATION AND USER GUIDE

Installation and Warranty Card
To be read and retained by the user.

CONVECTAIR

421AA4945 A00

CONVECTAIR



Dear user,

Thank you for your trust and congratulations on the purchase of your new **CONVECTAIR** electric heater.

We design and manufacture the highest quality devices in the electrical industry.

For the ultimate in comfort, and for maximum performance from your devices, please read the installation and operating instructions included in this manual.

Thank you.

**Read carefully this installation and user guide.
Make sure to follow the recommended guidelines.**

INDEX

Security	2-4
Installation	4-5
Electrical connection	6
Controls	7-9
Maintenance	10
Diagnostics	11
Warranty	12



WARNING: VERY HOT SURFACE.

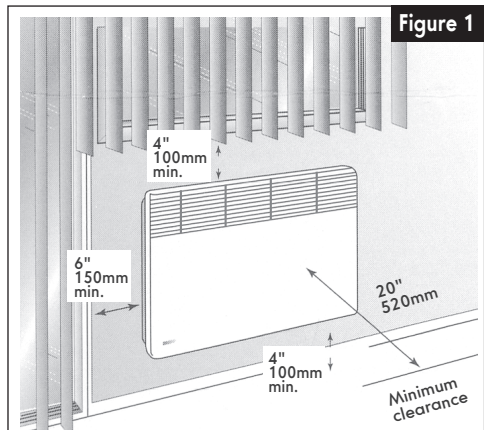


**IMPORTANT:
DO NOT
COVER UP**



CAUTION

1. Some parts of this product can become very hot and cause burns. Particular attention needs to be given where children and vulnerable people are present.
2. This appliance can be used by children aged from 8 years and above as well as people with reduced physical, sensory or mental capabilities or lack of experience and knowledge if they have been given supervision or instruction concerning use of the appliance in a safe way and understand the hazards involved. Children shall not play with the appliance. Cleaning and user maintenance shall not be made by children without supervision.
3. Children less than 3 years old should be kept away unless continuously supervised.
4. Children aged between 3 and 8 years old shall not plug in, regulate and clean the appliance or perform user maintenance.
5. Children aged between 3 and 8 years old shall only power the appliance ON or OFF provided that it has been placed or installed in its intended normal operating position and they have been given supervision or instruction concerning use of the appliance in a safe way and understand the hazards involved.
6. Do not cover, there is a risk of overheating
7. Do not cover or obstruct the air intake or outlet on the unit as this could cause overheating and damage the heater.
8. Be carefull not to introduce anything into the heater.
9. The heater must not be located immediately below an electrical outlet.
10. Check that nothing such as drapes or furniture interferes with the airflow to and from the heater; see required clearances (**Figure 1**).
11. If the supply cord is damaged, it must be replaced by the manufacturer, its service agent or similarly qualified person in order to avoid a hazard.
12. Avoid installing the heater in a place where a draft is likely to disturb its regulation.
13. This electric heater is intended to provide heating to rooms and offices in houses, appartments and other dwellings, wether they are new or existing.





HEATER INSTALLATION: This heater must be installed in accordance with national and local codes and CONVECTAIR recommends an installation by a qualified electrician.

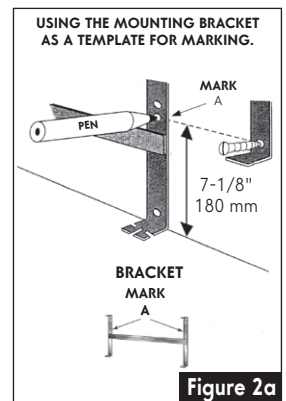
This manual was prepared at the time of manufacture of the device and in accordance with the standards applicable at the time.

The company reserves the right to modify at any time the Installation and User Guide to account for standards and their evolution.

- To avoid short circuits, please turn off the power at the electrical panel prior to installation or repair.
- If the power cable is damaged, it must be replaced by the manufacturer, its after-sales service personnel or a similarly qualified person to avoid any danger.

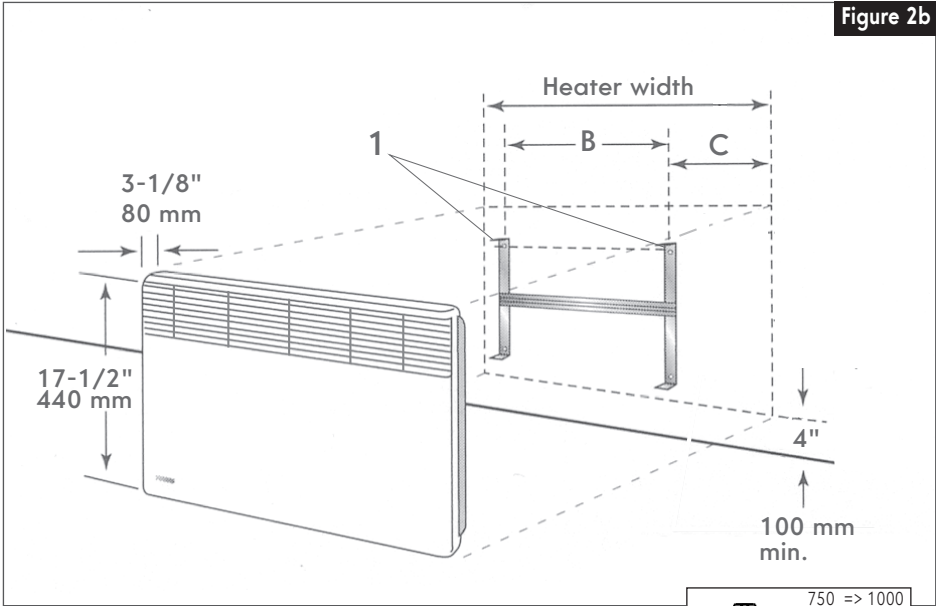
1 INSTALLATION

1. Free mounting bracket by pressing and pulling both locking brackets inserted in the back of the heater. **(No 1 in figure 2b).**
2. Use the mounting bracket as a template by holding it against the wall flush to the floor. Use the hole shown as **(A Mark on Figure 2a)** to mark the bottom fasteners location.
3. Raise the mounting bracket in order to match the marks with the holes for the bottom fasteners.
4. Level the mounting bracket, mark and pierce the 4 holes for fastening.
5. Replace mounting bracket and fasten it with screws.



NOTE: If the installation is on a drywall and no studs are used, CONVECTAIR recommends using anchors that will support a minimum of 25 lbs (11.34 kg) each to install the mounting bracket.

Figure 2b



WATTS	Heater Width		B		C	
	mm	in	mm	in	mm	in
750	340	13-3/8	128	5	106	4-1/8
1000	420	16-1/2	208	8-1/4	106	4-1/8
1500	580	22-7/8	178	7	201	7-7/8
2000	740	29-1/8	320	12-5/8	210	8-1/4

NOTE: To locate the midpoint of the heater, use the hole numbered 2 in **Fig. 2c**.

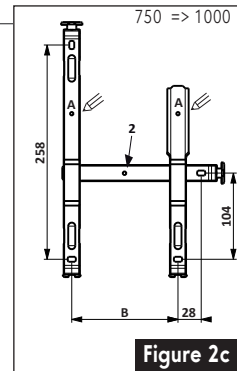


Figure 2c

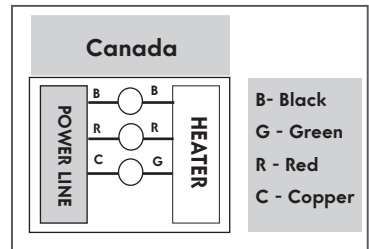
2 ELECTRICAL CONNECTION

CONVECTAIR recommends that this heater be installed by a qualified electrician in accordance with national and local codes.

A rectangular junction box must be installed in the wall, prior to electrical hookup. The box must be of appropriate size to receive the necessary electrical connections and the 2-3/4" x 4-1/2" (70mm x 115mm) cover that is supplied with the unit cable.

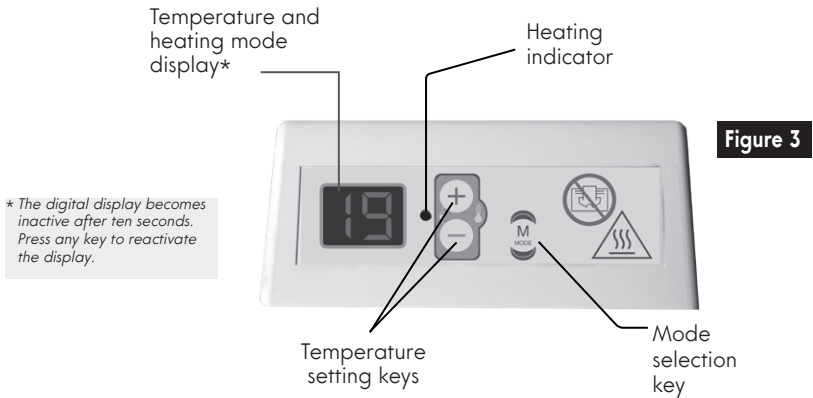
CAUTION: This unit must be connected to a 240 volts or 208 volts circuit, 60 cycles. Cut off the power in the electrical panel before making wiring connections to prevent electrical shock or equipment damage.

1. Connect the ground wire (C) to the green wire (G) inside the connection box.
2. Connect the black (B) and red (R) leads from the heater to the electrical supply wires (see diagram).
3. Carefully put back all wires inside the box, close and screw the cover.
4. Hook the heater onto the mounting bracket tabs with the unit slightly angled towards you. Push the heater towards the wall until it is engaged on both locking tabs.



3 CONTROLS

The CONVECTAIR **FOR** operates in short cycles. The red indicator light tells you when heat is on. The heater will always remain warm and ambient temperature will remain constant. It is normal in very cold temperatures for the unit to become hot. Caution is advised when young children are present.



The following 4 settings can be accessed with the Mode selection key:

COMFORT	Shows the temperature setting	The heater maintains the desired comfort temperature.
ECONOMY	EC	The temperature is lowered to the desired setting without changing the comfort setting (night setback, unused rooms, temporary absence).
FROST PROTECTION	HG	The temperature is set at 45°F (7°C) for long term absence (more than 24h).
STANDBY (NO HEAT)	- -	The heater stops heating.

TURNING THE HEATER ON OR OFF (STANDBY)

To start the heater press the Mode key once. The display will show the current thermostat setting (factory default is 19°C).

To place the heater on Standby (no heat), press the **Mode** key repeatedly until the display shows "--".



NOTE: Current temperature settings are kept in memory.

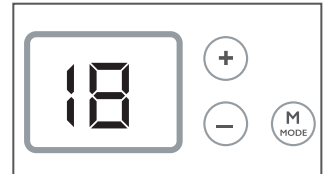
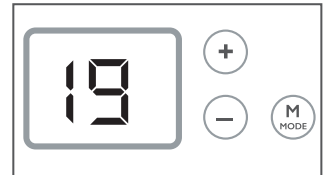
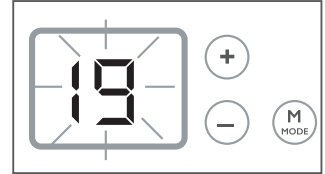
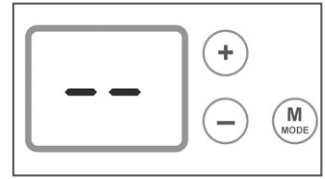
3 CONTROLS

DISPLAYING THE TEMPERATURE IN °F OR °C

With the power **ON** and the Mode selector on **Standby** "--", press the **Mode** and **+** keys at the same time and hold for 3 seconds.

The display flashes the temperature in the new scale °F or °C and reverts to **Standby** "--".

Press the **Mode** key to display the temperature in the new scale.



SETTING THE DESIRED TEMPERATURE

Using the **+** and **-** keys, you can raise or lower the setting as you wish by 1° each time the key is pressed.

In order to find your own level of comfort, we suggest you close the doors of the room where the heater is located. Wait about an hour to allow for the temperature to stabilize. Adjust the setting up or down (**+** or **-** keys). Allow another hour for the temperature to stabilize.

If the setting does not suit you, adjust by 1° and repeat until you are comfortable. It is best to make these adjustments in the evening, without the influence of the sun.

SETBACK (ECONOMY) MODE

When the heater is in **EC Mode**, it will maintain the temperature at a lower value. This setting is useful to reduce energy consumption at night or when a room is temporarily unused.

To select the **EC mode**: press the **Mode** key briefly until the letters **EC** appear on the display.



To display the **EC temperature setting** : while in **EC mode**, press the **+** or **-** key. The **EC** temperature setting will appear on the display (the default setting is 3°C or 5°F below the Comfort temperature).

To change the **EC temperature**: When the display is in **EC mode**, press and maintain the **Mode** key until the temperature value starts to blink. Release the **Mode** key and adjust the temperature up or down in 1° steps using the **+** or **-** keys. Press **Mode** to confirm the setting.

3 CONTROLS

NOTE: The **EC** temperature is relative to the **Comfort** temperature. If the **Comfort** setting is changed, the **EC** temperature will change automatically to maintain the same difference between the two values.

FROST PROTECTION MODE : HG

In case of longer term absence (24hrs or more), the HG mode will maintain the room temperature at 7°C (45°F). You can reduce your energy consumption while maintaining a minimum safe temperature.

To select the **HG** mode :press the **Mode** key until the display shows: **HG**.



LOCKING THE HEATER CONTROLS

The control pad can be locked from any Mode selection to prevent tampering.

To lock the control : from any Mode setting, press both the **+** and **-** key at the same time and hold for about 3 seconds. The display will blink to show that the keyboard is locked.

Pressing any key when the keyboard is locked will cause the screen to display «**FF**» and the heater will not respond.

To unlock the keyboard, repeat the same procedure: press and hold both **+** and **-** keys at the same time for about 3 seconds.



TEMPERATURE LIMITING CONTROL:

This heater is equipped with an automatic reset control. In case of a malfunction of the unit (blocked air intake or output, for example), the heater will stop heating automatically. After correcting the malfunction and a sufficient cooling of the heater, it will be on automatically.

NOTE: If this problem occurs frequently, please contact your electrician.

4 MAINTENANCE

- To keep your heater clean, regular maintenance is suggested. To remove dust, use a soft cloth. To remove a stain, use a damp cloth.
- For a better performance and a maximum efficiency, it is suggested that dust and lint be regularly removed (once every two weeks) from the protective grille situated at the base of your heater.
- **NEVER USE ABRASIVE OR ACETONE-BASED PRODUCTS TO CLEAN THE HEATER AS THIS MAY CAUSE DETERIORATION OF THE PAINT.**
- **ANY REPAIR OR INTERVENTION ON CONVECTAIR PRODUCTS SHOULD ONLY BE DONE BY A QUALIFIED TECHNICIAN AFTER DISCONNECTING THE HEATER.**

OPERATION AND MAINTENANCE TIPS

- Your heater will become hot when in use. Caution is advised when young children are present.
- Do not insert small objects through the front louvers : this could cause electrical short-circuit, fire or damage to the inner components.
- Any use or modifications not approved by CONVECTAIR may cause electrical short-circuits, fire or injuries to the users.
- In certain cases, it is possible for yellowing of the grille to occur over time. This is not due to a manufacturing defect. This is caused by surrounding air, which contains smoke or dust, being heated and released through the heater.
- **Prevention:** It is suggested that grilles be frequently cleaned especially with units installed in locations where cigarette smoke is present or in the kitchen. Never use this heater during construction work or other activities that generate a lot of dust.

The first time you use your heater, a light smoke could be released. This is normal and should disappear after about 2 to 3 minutes.

5 DIAGNOSTICS

The first time you use your heater, a light smoke could be released. This is normal and should disappear after about 2 to 3 minutes.

IF YOUR HEATER DOES NOT HEAT:

- 1-** Make sure the breaker in the distribution panel is in the «**ON**» position.
- 2-** Check that the heater is not in **ECONOMY** or **FROST PROTECTION**. Make sure the desired temperature is properly set on the heater.
- 3-** Check the overheat protection : first remove any obstruction from the inlet and outlet grille (see : Temperature limiting controls).
- 4-** If the light is still off, and no heat is generated, call your electrician or the nearest CONVECTAIR repair center.

6 WARRANTY

2 years against all defects / 5 years on heating element

All CONVECTAIR heaters are subject to a double warranty: 2 years on all manufacturing defects and 5 years on the heating element itself.

Warranty is applicable from date of purchase by the customer and under certain specific conditions. All details are provided with each heater. Please keep your invoice (purchase and/or installation).

SERVICE CENTERS:

To find the nearest service center, visit our website (www.convectair.ca) or contact **CONVECTAIR** customer service at the following number: **1-800-463-6478**.

CONVECTAIR

1-800-463-6478 | support@convectair.ca | www.convectair.ca

 A BRAND OF GLEN DIMPLEX AMERICAS