

# CONVECTAIR

## FOR Electronic panel convector



### HEATING ELEMENT

**Total capacity:** 750W to 2000W

**Convection:** X-shaped, monoblock element made of surface-treated extruded aluminum

**Thermal protection:** Automatic (240V/208V)

### TEMPERATURE CONTROL

**Electronic thermostat:** Built-in electronic proportional-action thermostat ultra precise to 1/5°F (1/10°C)

### CONTROL PANEL

**Select unit of temperature in °C or °F:** By key combination

**+ and - buttons:** Set the temperature and lock the controls

**Mode button:** With 4 settings: Comfort; Economy; Frost protection 45°F (7°C); Heat off

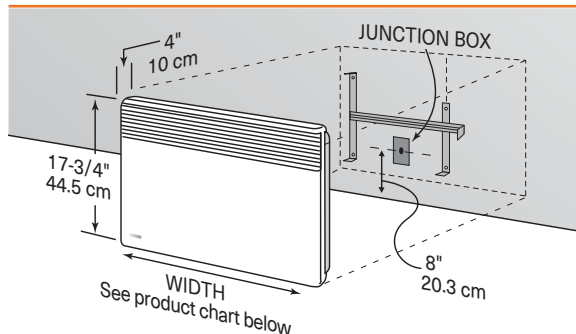
### CABINET

**Steel:** Construction with polyester/epoxy anti-rust powder coating and resistant to UV rays

**Louvers:** Front-louvered air outlet that hides the unit interior and directs heat towards the center of the room

**Color:** BB = White

Model	Catalogue No.	Color	Power		Height		Width		Depth		Net Weight	
			240V	208V	cm	in	cm	in	cm	in	kg	lb
FOR	5356-C07	BB	750W	565W	44.5	17-3/4	34	13-3/8	10	4	3.3	7.2
	5356-C10	BB	1000W	750W	44.5	17-3/4	42	16-1/2	10	4	3.7	8.1
	5356-C15	BB	1500W	1125W	44.5	17-3/4	58	22-7/8	10	4	4.8	10.7
	5356-C20	BB	2000W	1500W	44.5	17-3/4	74	29-1/8	10	4	5.9	13.1



### INSTALLATION AND CONNECTION

**Recommended installation height:** 4" (10 cm)

**Clearances:** Front: 20" (50 cm); Sides: 6" (15 cm); Above: 4" (10 cm); Underneath: 4" (10 cm).

**Installation:** Quick-mounted surface installation with easy snap-on bracket that also serves as marking template.

**Connection:** 240-V/208-V unit: Flexible cord connection, including junction box cover. Installation requires 2" x 3" wall box (not included).

**Note:** 3-conductor cable

### 240/208 Volts

For guaranteed, dependable operation, we recommend that all units be installed by a licensed electrical contractor in accordance with national and local codes. Consult [convectair.ca](http://convectair.ca) to find the most recent installation instructions for our heaters.

