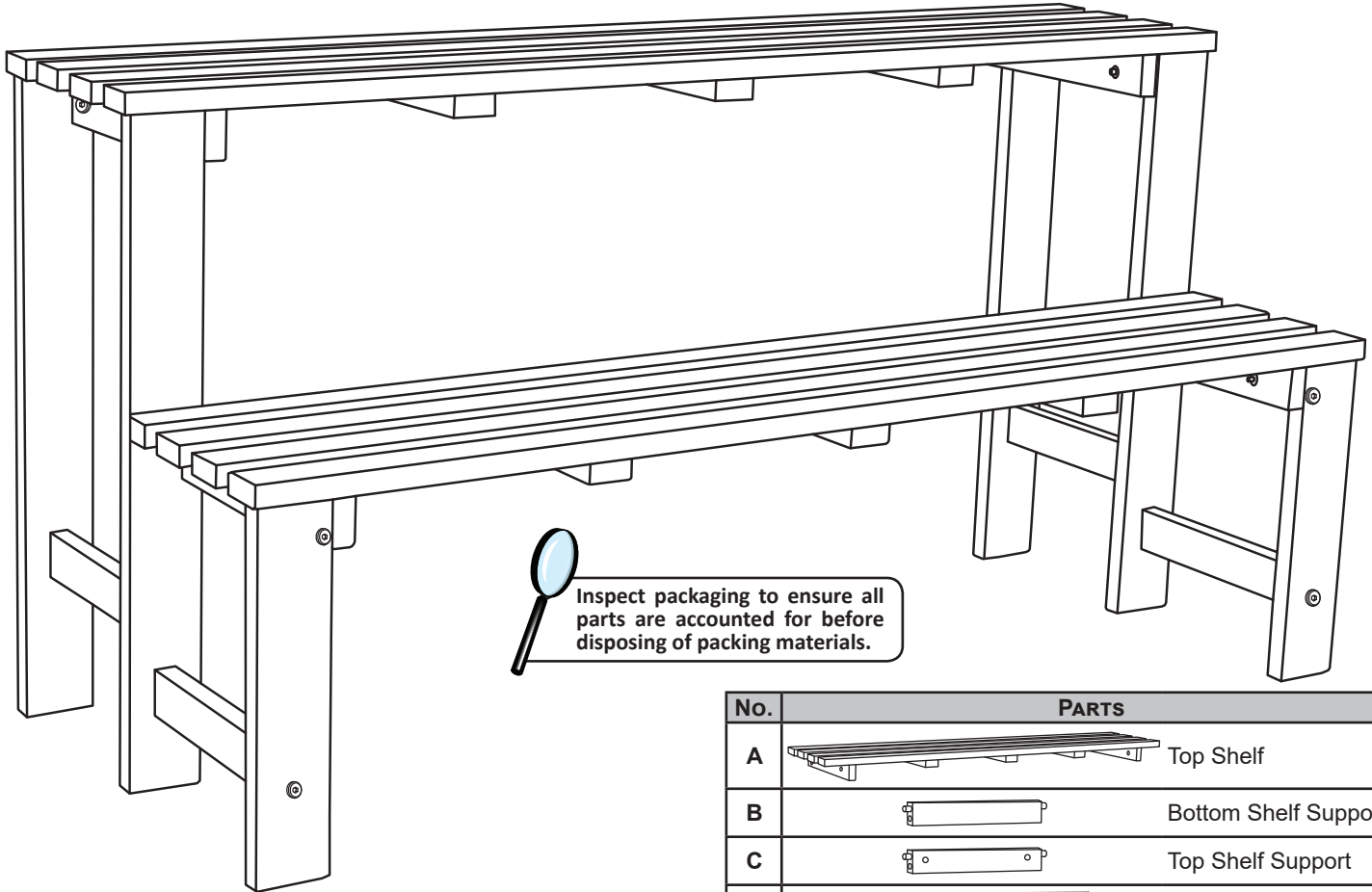


# MERANTI WOOD PLANT STAND

## FRN-504

Assemble components on a soft, clean surface to avoid damaging the finish. Save this manual for future reference.





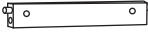

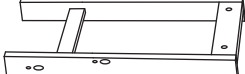
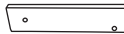
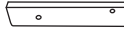






Inspect packaging to ensure all parts are accounted for before disposing of packing materials.

### ! HELPFUL HINTS

- Sunnydaze Decor advises reading this manual thoroughly and assembling the item soon after purchase.
- Do not fully tighten hardware until all components are assembled. If hardware is tightened too soon, mounting holes may not align, and parts may not easily fit together.

### ! WARNING !

**CHOKING HAZARD** — This item contains small parts that can be swallowed. Keep children away during assembly.

No.	PARTS		QTY.
A		Top Shelf	1
B		Bottom Shelf Support	2
C		Top Shelf Support	2
D		Left Side Panel	1
E		Right Side Panel	1
F		Left Front Leg	1
G		Right Front Leg	1
H		Bottom Shelf	1
I		JCBC M6x45 Bolt	8
J		JCBC M6x50 Bolt	8
K		Barrel Nut	8
L		Barrel Nut Driver	1
M		Hex Key	1

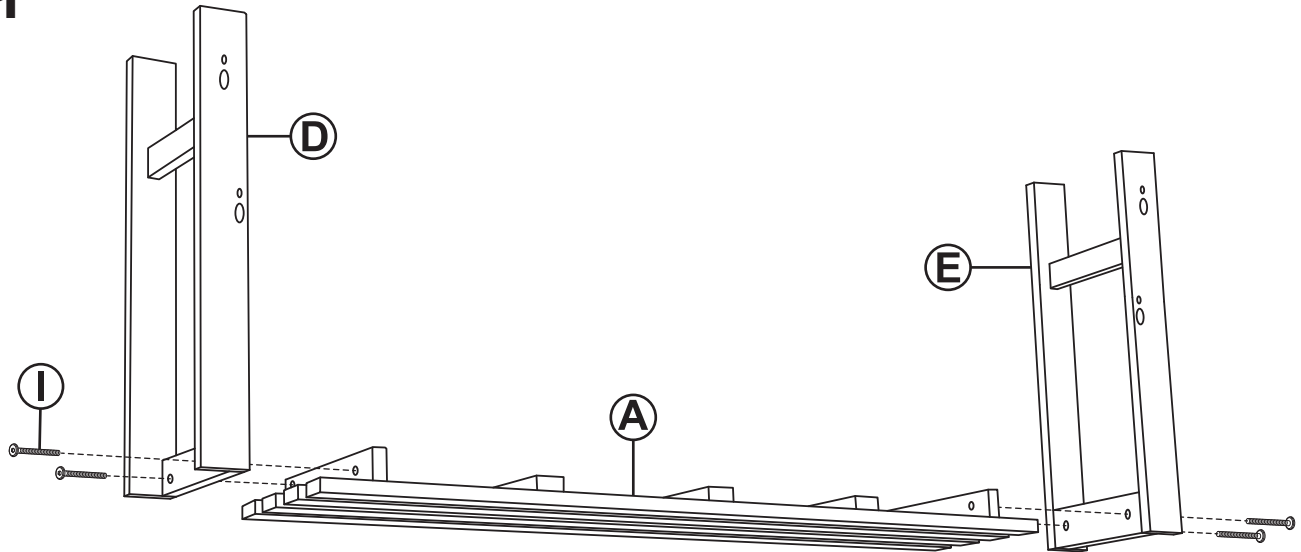
# ASSEMBLY

**Read carefully and understand assembly before beginning.**

**Do not fully tighten bolts all until all components have been loosely assembled.**

## STEP 1

A: 1  
D: 1  
E: 1  
I: 4

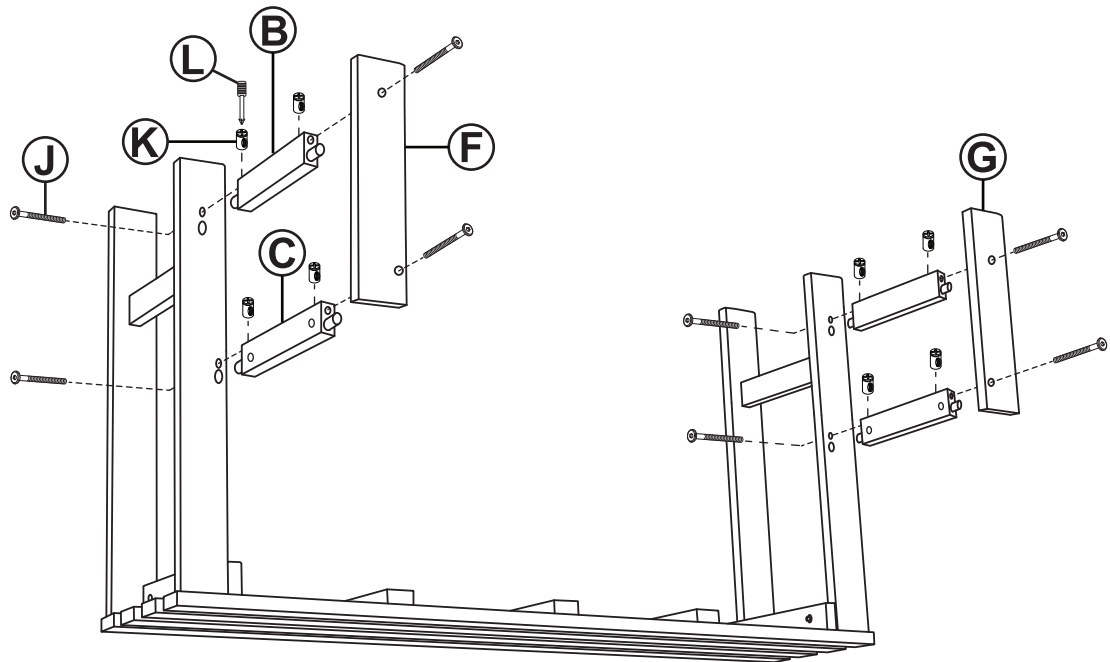


- Place Top Shelf (A) face-down on a soft, clean surface.
- Align Left Side Panel (D) and loosely secure by hand-tightening two M6x45 Bolts (I). Repeat to secure Right Side Panel (E).

**Do not fully tighten any bolts until after Step 3 is complete.**

## STEP 2

B: 2  
C: 2  
F: 1  
G: 1  
J: 8  
K: 8



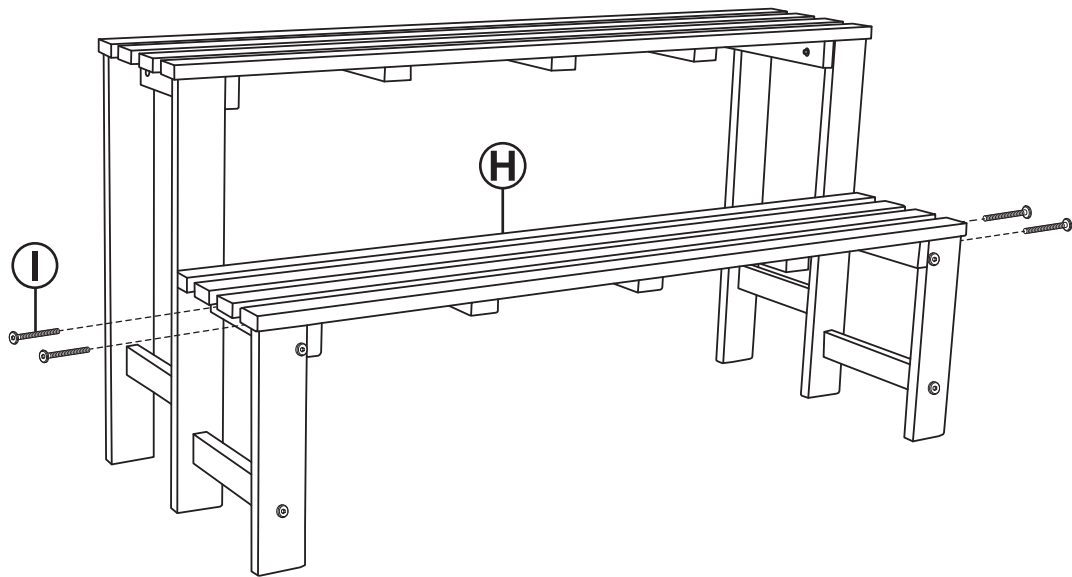
- Insert two Barrel Nuts (K) into each Bottom Shelf Support (B) and Top Shelf Support (C). Use the Barrel Nut Driver to align the opening of the barrel nut with the pre-drilled hole below the peg on the shelf supports.
- Ensuring Top Shelf Support (C) will be on top when the unit is flipped upright, align the pegs and holes of Top Shelf Support (C) and Bottom Shelf Support (B) with Left Side Panel (D) and Left Front Leg (F). Loosely secure by hand-tightening four M6x50 Bolts (J), ensuring the bolts thread into the barrel nuts.
- Repeat the previous step to connect Right Front Leg (G).

**Do not fully tighten any bolts until after Step 3 is complete.**

## STEP 3

H: 1

I: 4



- Flip the unit upright.
- Place Bottom Shelf (H) onto the lower level of the stand and secure it using four M6x45 Bolts (I).

Tighten all bolts using Hex Key (M) after this step is complete.

## Care & Maintenance

**SAFE USE:** For residential use only. Only use on a flat, level surface. Do not climb or sit on the shelves.

**INSPECT:** Periodically check assembly points and tighten fittings as necessary.

**CLEANING:** Identify the direction of the woodgrain. Following the direction of the woodgrain, wipe surfaces with a soft, dry cloth. Do not use harsh chemicals or abrasive materials or a pressure washer to clean.

**COVER:** When not in use, cover unit with a breathable cover to help protect it from the harmful effects of sunlight, inclement weather, dust build-up, and collecting debris.

**WINTER CARE & STORAGE:** Protect this item from inclement weather, especially ice and snow. Move to a cool, dry indoor location. Covering while in storage is recommended to help prevent dust build-up.

**MAINTENANCE:** If left untreated, the wood may weather. A suitable wood stain or oil may need to be applied yearly.

**WARNING: THE ONE-YEAR WARRANTY DOES NOT COVER DAMAGES OR DEFECTS CAUSED BY THE USE OF CHEMICAL TREATMENTS OR PROTECTIVE COATINGS.**

Any modification to the product or failure to follow recommended care will void the product warranty.

### ! SAFETY STATEMENTS & WARNINGS !

- Do not sit, stand, or climb on the stand.
- Inspect hardware often and tighten loose hardware.
- Do not put hot items on or near furniture.
- Keep furniture a safe distance from heat sources such as fire pits, patio heaters, and grills.
- Do not allow children to climb on the unit as the unit to tip or break which could lead to serious injury.
- Do not use harsh chemicals or abrasive materials to clean the furniture.

Any modification to the product or failure to follow recommended care will void the product warranty.

### ! WARNING!

Manufacturer and seller expressly disclaim any and all liability from personal injury, property damage or loss, whether direct or indirect, or incidental, resulting from the incorrect attachment, improper use, inadequate maintenance, or neglect of this product.