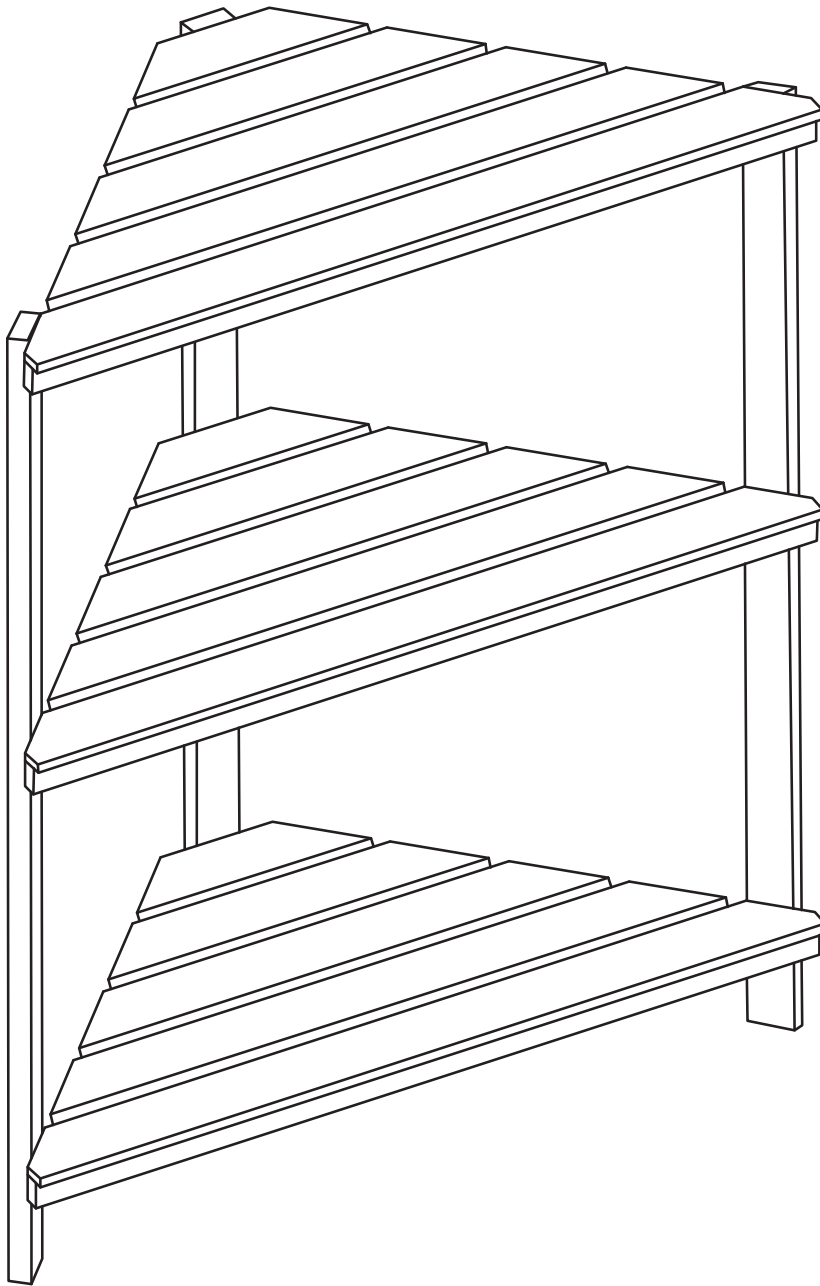


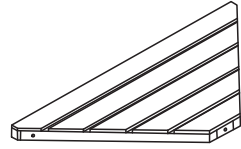



# 3-TIER CORNER PLANT STAND

## LAM-646

Read all assembly and care instructions carefully before using this product. Save this manual for future reference.  
**Assemble components on a soft, clean surface to avoid damaging the finish.**



Inspect packaging to ensure all parts are accounted for before disposing of packing materials.

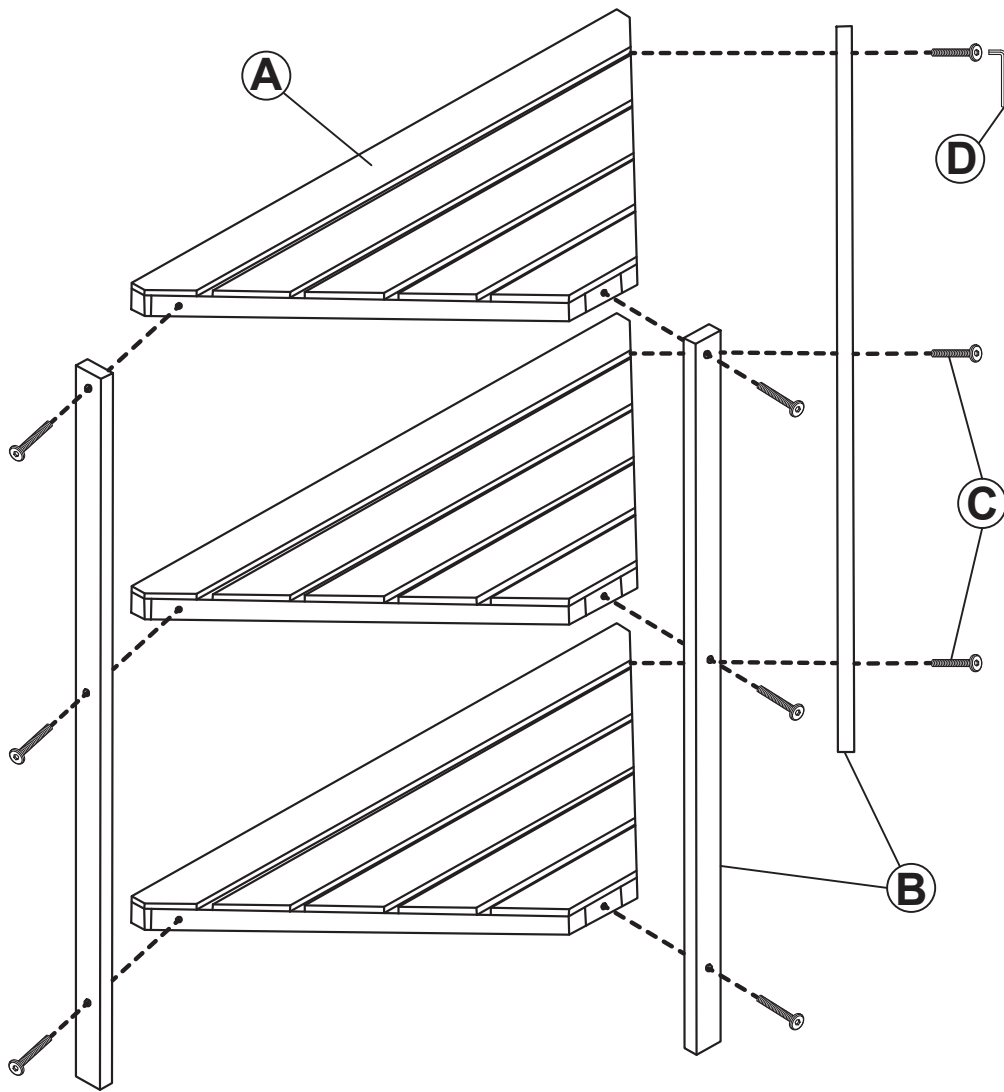
No.	PARTS	QTY.
A	 Shelf	3
B	 Leg	3
C	 JCBC 40mm	9
D	 Hex Key	1

### **WARNING**

**CHOKING HAZARD** — This item contains small parts that can be swallowed. Keep children away during assembly.

### **HELPFUL HINT**

This item was treated with teak oil at the factory. Apply a suitable wood oil at least once a year, or when the wood looks particularly dry. Left untreated, the wood will weather to a silvery gray color.



## ASSEMBLY

**NOTE:** Do not fully tighten any bolt until all bolts have been placed.

1. Connect Leg (B) to Shelf (A) by hand-tightening 3x JCBC 40mm (C).
2. Repeat step 1 until all legs have been attached to shelves.
3. Gently tighten all the bolts using Hex Key (D).

## USE & CARE

**SAFE USE:** Place the stand on a flat, level surface. Make sure weight is evenly distributed, top-heavy plant stands may tip over.

**INSPECT:** Periodically check assembly points and tighten fittings as necessary.

**CLEANING:** Identify the direction of the woodgrain. Following the direction of the woodgrain, wipe surfaces with a soft cloth.

**MAINTENANCE:** This furniture was treated with teak oil at the factory. Apply a suitable wood oil at least once a year, or when the wood looks particularly dry. Follow application instructions as noted with the suitable wood oil (not included).

**STORAGE:** Protect this item from ice and snow. Store indoors, in a dry location. Covering the unit while in storage will help prevent dust buildup.

Any modification or failure to follow the recommended care will void the product warranty.

### **⚠️ WARNING:**

Manufacturer and seller expressly disclaim any and all liability from personal injury, property damage or loss, whether direct or indirect, or incidental, resulting from the incorrect attachment, improper use, inadequate maintenance, or neglect of this product.