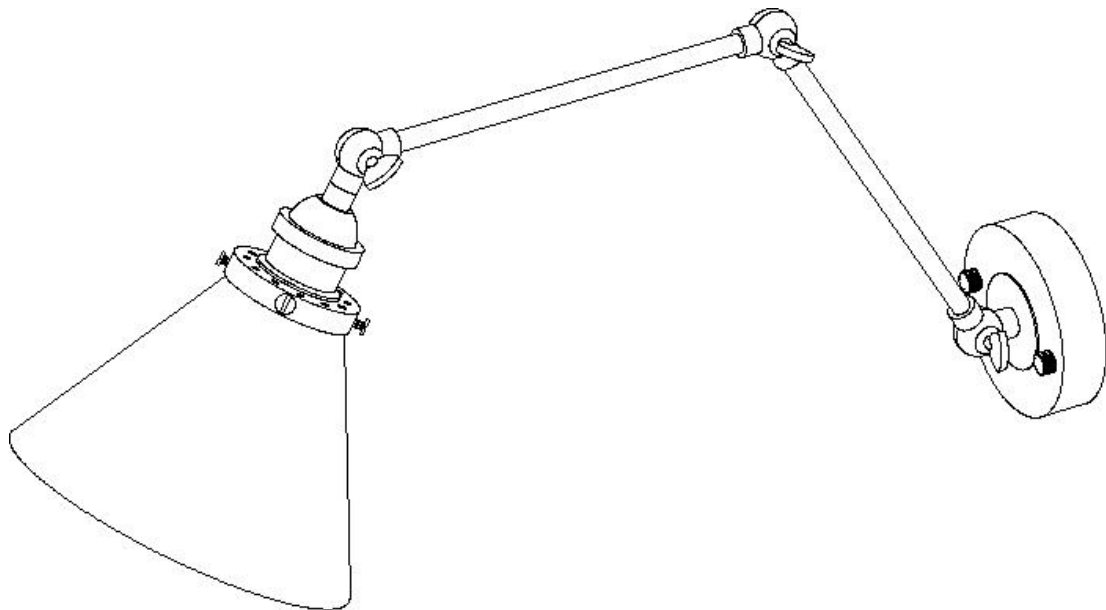


Item Number: A03468

Important Notes: Please read the instructions carefully before you start and keep the manual as you may refer to it in the future.


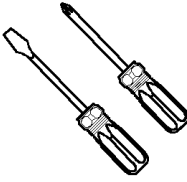

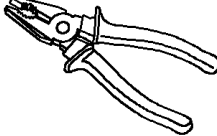
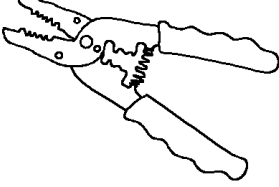
1. In order to reduce the risk of fire, electric shock or injury, we suggest hiring a **licensed electrician** for installation.
2. Make sure you shut off the electricity from the main circuit breaker in your home before you start installation and do not turn it on unless installation process is completely done.
3. Place both (main power switch and wall switch) in “**OFF**” position.
4. The flat mounting surface must be dry and strong enough to carry the fixture. Allow at least 1/4” area around the canopy. Correct any gaps before installation if needed.
5. This fixture is compatible with voltage **120V** and maximum wattage per bulb is **60W**.
6. Do not use acidic or basic solutions to clean the fixture as it might affect the external color and material.
7. Before replacing a bulb, switch off or unplug the lamp then wait until the old bulb cools down.
8. The safety instructions mentioned in this manual are not meant to cover all possible conditions that may occur. Take into consideration that common sense, caution and care must be present in dealing with electrical products.
9. For ordering or replacing missing or damaged parts or if you have any questions about the installation process, don't hesitate to contact us via Email: homecustomercare@outlook.com
Or Phone: +1850 296 2377

FINAL IMAGE OF THE PRODUCT:



TOOLS REQUIRED FOR ASSEMBLY AND INSTALLATION (NOT INCLUDED):

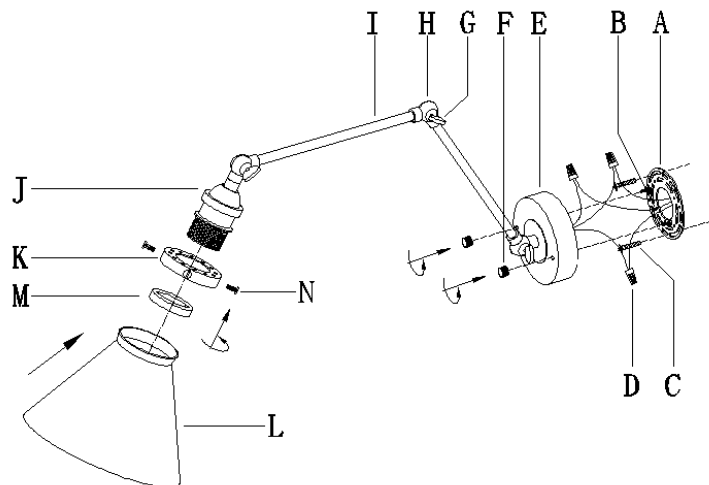
Before assembling and installing the fixture, please prepare the following tools:

| | | | | |
|---|---|---|--|---|
|  |  |  |  |  |
| Ladder | Phillips head, flat blade screwdriver | Electrical | Pliers | Wire cutter / Striper |

PARTS INCLUDED IN THIS FIXTURE:

Before you start please make sure all the listed parts below are available in the right quantities:

- (A) Mounting plate (1)
- (B) Green ground screw (1)
- (C) Mounting screws (2)
- (D) Plastic wire connectors (3)
- (E) Back plate (1)
- (F) Ball nuts (2)
- (G) Studs (3)
- (H) Joints (3)
- (I) Arms (2)
- (J) Socket (1)
- (K) Decorative ring (1)
- (L) Shade (1)
- (M) Socket ring (1)
- (N) Studs (3)



ASSEMBLY & INSTALLATION INSTRUCTIONS:

A) Unpack the fixture:

Carefully remove the fixture from the box and make sure all parts and accessories are included.

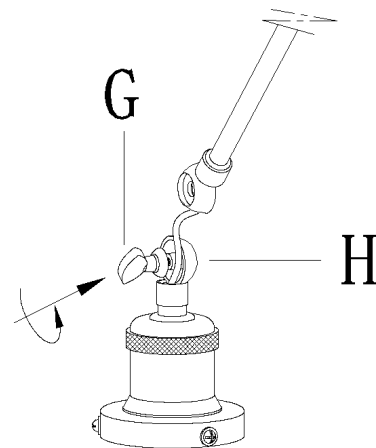
B) Shut off the electricity:

Make sure you shut off the electricity from the main circuit breaker in your home before you start installation and do not turn it on until installation process is completely done.

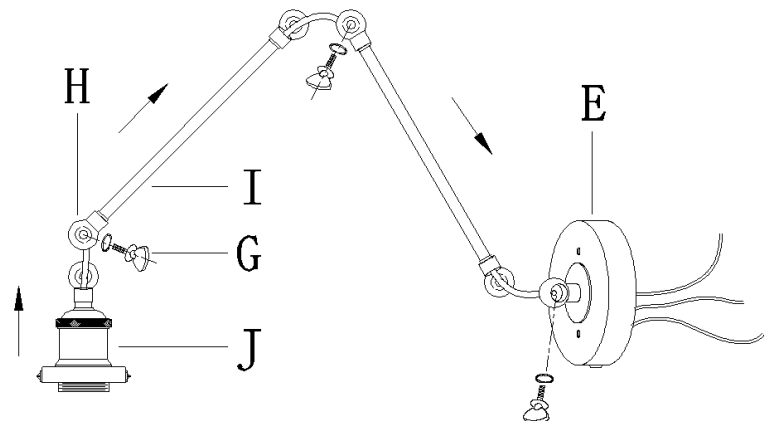
C) Start assembly and installation process:

C-1) For PLUG IN Installation:

1) Remove the stud (G) from the arm joint (H).



2) Carefully and gently pull the wires and fiberglass sleeve from the another end of arm(I) ,meanwhile push the socket (J) till two parts of joint are close each other , lay wires in the cave of joint(H), then proceed to push till the two parts are put together, secure with the stud (G). Close the arm sides together then adjust the stud again. Apply this process to the other two arm joints as well



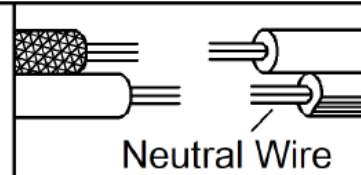
3) Connect the black and white wires found in the plate (E) to the wires with plug found inside the accessories bag. Secure the connections with plastic wire connectors.

Connect wires according to below chart

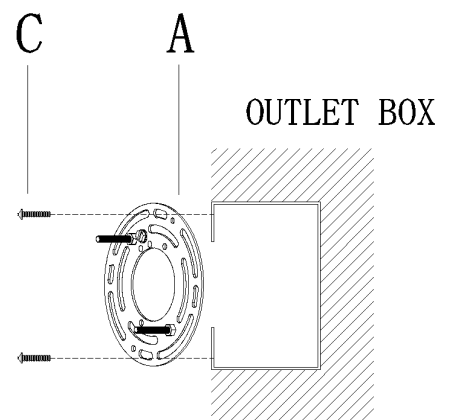
TAKE NOTE OF WIRE COLOR OF FIXTURE, NEVER CONNECT BLACK OR WHITE WIRE TO GROUND WIRE

| Connect Black or Red supply Wire to: | Connect White supply Wire to: |
|---|---|
| Black | White |
| *Parallel cord (round & smooth) | *Parallel cord (square & ridged) |
| Clear, Brown, Gold or Black without tracer | Clear, Brown, Gold or Black without tracer |
| Insulated wire (other than green) with copper conductor | Insulated wire (other than green) with silver conductor |

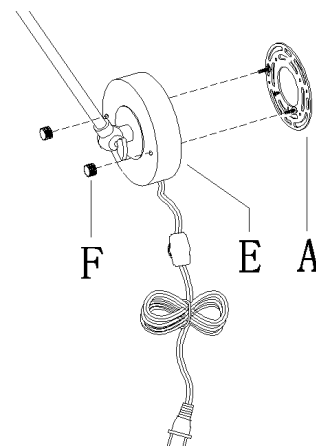
*Note: When parallel wires (SPT I & SPTII) are used. The neutral wire is square shaped or ridged and the other wire will be round in shape or smooth (see illus.)



4) Attach plate (A) to the outlet box on the wall using mounting screws (C).



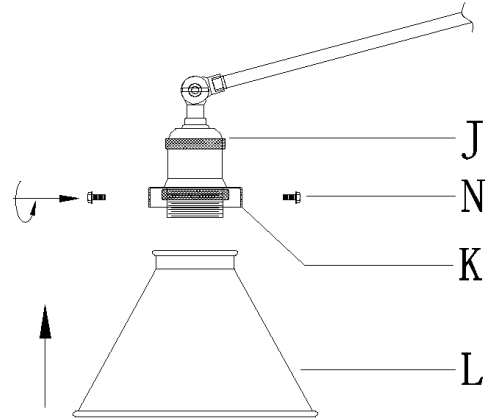
5) Hang the lamp by putting plate (E) on the mounting plate (A), use ball nuts (F) to support the plate (E).





6) Unscrew the preassembled studs(N) from the decorative ring(K), then carefully put the shade (L) on the socket (J).

Put back the previously removed studs(N) and thread till the studs snug against the shade surface .



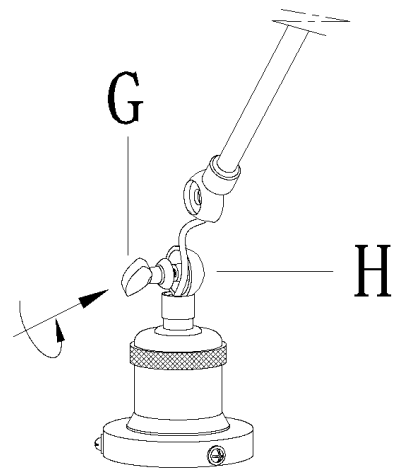
7) Insert a 60W maximum wattage light bulb (Not included). Plug it in and enjoy!

Note: * Please do not exceed the maximum bulb capacity recommended on the socket.

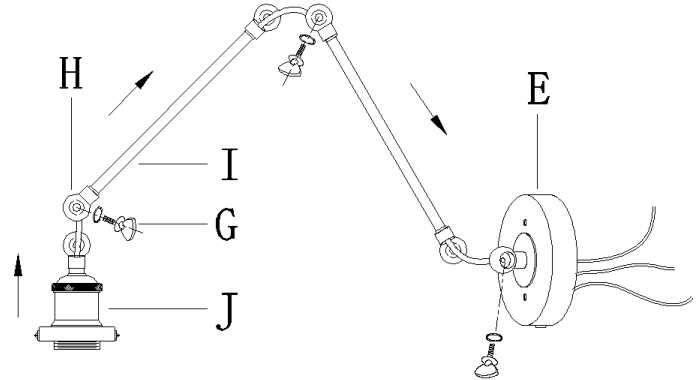
* Adjust the fixture to desired direction by loosening the stud (G). Once the desired direction achieved, tighten the stud (G).

C-2) For Hardwired Installation:

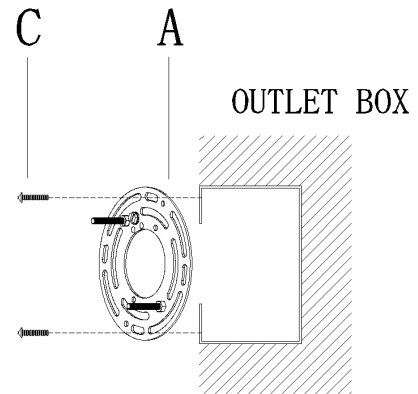
1) Remove the stud (G) from the arm joint (H).



2) Carefully and gently pull the wires and fiberglass sleeve from the another end of arm(I) ,meanwhile push the socket (J) till two parts of joint are close each other , lay wires in the cave of joint(H), then proceed to push till the two parts are put together, secure with the stud (G). Close the arm sides together then adjust the stud again. Apply this process to the other two arm joints as well.

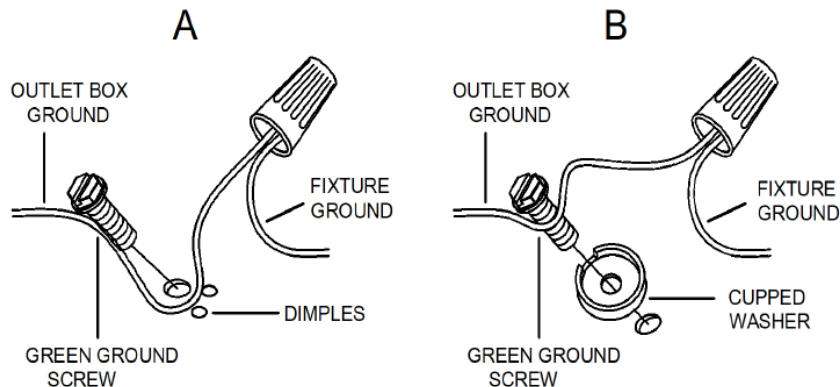


3) Attach plate (A) to the outlet box on the wall using mounting screws (C).



4) Fix the ground copper wire found in plate (E) around the ground green screw (B) found on plate (A) then connect it to its adjacent copper ground wire found in the outlet box. Secure the connection with plastic wire connector (D).

Connect ground wire according to below chart



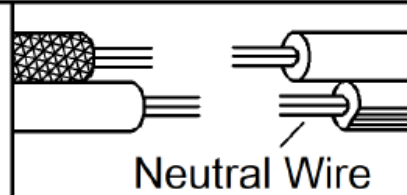
5) Connect the black and white wires found in the junction box to the black and white wires found in plate (E) (same colors together). Secure the connections with plastic wire connectors

Connect wires according to below chart

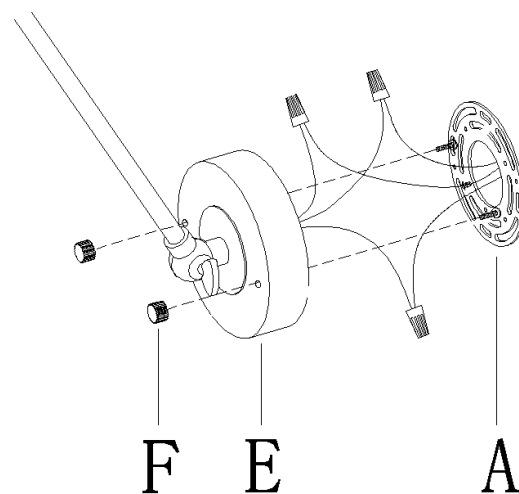
TAKE NOTE OF WIRE COLOR OF FIXTURE, NEVER CONNECT BLACK OR WHITE WIRE TO GROUND WIRE

| | |
|---|---|
| Connect Black or Red supply Wire to: | Connect White supply Wire to: |
| Black | White |
| *Parallel cord (round & smooth) | *Parallel cord (square & ridged) |
| Clear, Brown, Gold or Black without tracer | Clear, Brown, Gold or Black without tracer |
| Insulated wire (other than green) with copper conductor | Insulated wire (other than green) with silver conductor |

*Note: When parallel wires (SPT I & SPTII) are used. The neutral wire is square shaped or ridged and the other wire will be round in shape or smooth (see illus.)



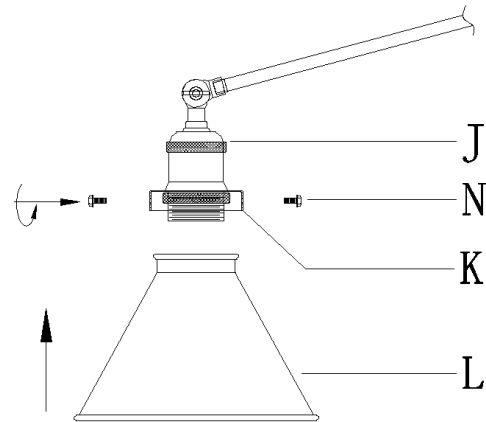
6) Hang the lamp by putting plate (E) on the mounting plate (A), use ball nuts (F) to support the plate (E).





7) Unscrew the preassembled studs(N) from the decorative ring(K), then carefully put the shade (L) on the socket (J).

Put back the previously removed studs(N) and thread till the studs snug against the shade surface .



8) Insert a 60W maximum wattage light bulb (Not included). Turn on the light and enjoy!

Note: * Please do not exceed the maximum bulb capacity recommended on the socket.

* Adjust the fixture to desired direction through unscrewing the stud (G). Once the desired direction achieved, tighten the stud (G).

CLEANING:

To clean, wipe fixture with a soft cloth. Do not use abrasive materials such as scouring pads or powders, steel wool or abrasive paper.

ORDERING PARTS:

Keep this sheet for future reference, and in case you need to order replacement parts. All parts for this fixture can be ordered from place of purchase. Be sure to use exact wording from illustration when ordering parts.