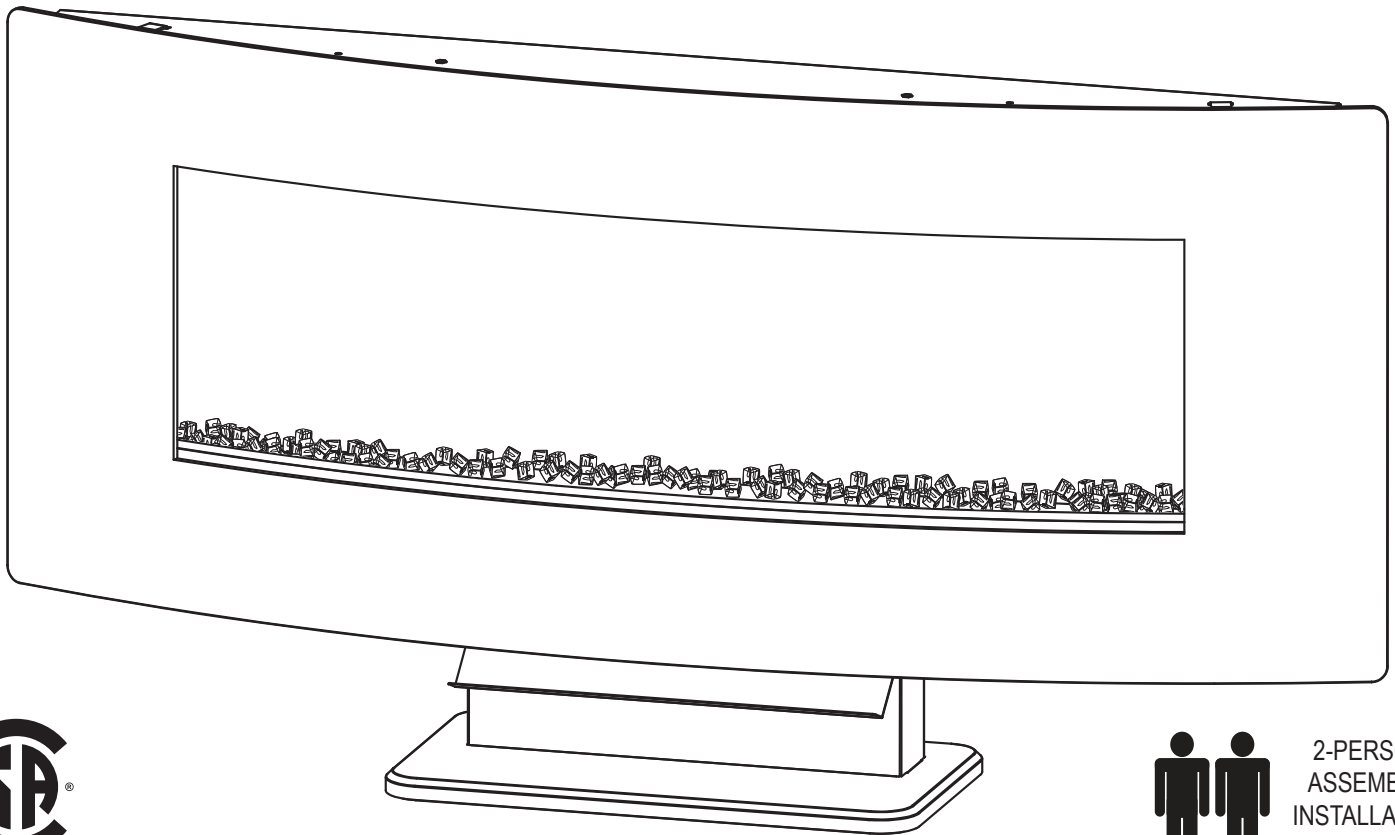


CURVED FACE WALL-MOUNT OR FREESTANDING ELECTRIC FIREPLACE

! WARNING

Read and understand this entire manual, including all safety information, before plugging in or using this product. Failure to do so could result in fire, electric shock, or serious personal injury.



FOR YOUR SAFETY

DO NOT STORE OR USE GASOLINE OR OTHER FLAMMABLE LIQUIDS OR VAPORS IN THE VICINITY OF THIS OR ANY OTHER APPLIANCE

! WARNING!

Manufacturer and seller expressly disclaim any and all liability from personal injury, property damage or loss, whether direct or indirect, or incidental, resulting from the incorrect attachment, improper use, inadequate maintenance, or neglect of this product.

⚠ IMPORTANT SAFETY INFORMATION ⚠

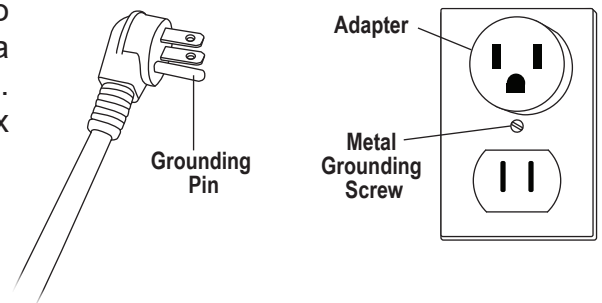
⚠ WARNING ⚠

Read all instructions before using this heater!

- This heater is **hot when in use**. To avoid burns, **DO NOT** touch hot surfaces.
- Keep combustible materials, such as furniture, pillows, bedding, papers, clothes, and curtains at least 3 feet (0.9m) from all sides of the heater.
- **Extreme caution** is necessary when any heater is used. **NEVER** leave the unit unattended while heater is in use.
- Ensure adequate **safety measures are incorporated to protect infants/toddlers** from touching hot surfaces.
- **DO NOT operate any heater if the cord is damaged**, the heater malfunctions, has been dropped, or damaged in any manner. Discard heater or have it serviced by a certified professional.
- **DO NOT** run the power cord under carpeting, throw rugs, runners, or similar floor coverings. **DO NOT** route the power cord under furniture or appliances. Arrange power cord away from traffic area, and where it will not be tripped over.
- **Connect to properly grounded outlet ONLY.**
- **DO NOT insert or allow foreign objects to enter any ventilation or exhaust opening**, as this may damage the heater, cause electric shock or fire.
- **DO NOT** block air intakes or exhaust in any manner as doing so could cause a fire.
- **DO NOT** use on soft surfaces, like a bed, where openings may become blocked.
- **A heater has arcing or sparking parts inside and becomes HOT. DO NOT** use it in areas where gasoline, paint, or any flammable liquids are used or stored or where flammable vapors are present.
- **Only use this heater as described in this manual. Any other use may cause fire, electric shock, personal injury or death.**
- **ALWAYS plug heaters directly into a wall outlet/receptacle. NEVER** use this unit with an extension cord or relocatable power tap (power strip).
- **DO NOT** use this appliance with an automatic timer or any other device that switches the appliance on and off automatically. In order to avoid an hazard due to inadvertent resetting of the thermal cut out, this appliance must not be supplied through an external switching device, such as a timer, or connected to a circuit that is regularly switched on and off by a utility.
- **DO NOT install the heater near a bed**, objects such as pillows or blankets can fall off the bed and be ignited by the heater.
- **NEVER use this heater in bathrooms, laundry rooms**, or any other location where the heater could come in contact with water or be exposed to high moisture.
- **AVOID FIRE!** It is imperative that the control compartments, circulating blower, and its passageway in the fireplace is kept clean. Regularly inspect all air vents to make sure they are free from dust, lint, or other blockages. **Unplug the unit and clean with a vacuum ONLY. DO NOT** rinse or get wet.
- **NEVER** hang this unit on a wall directly below an electrical outlet.
- **Ensure clearances to combustibles are maintained** when building a mantel or shelves near the fireplace. Elevated temperatures on the wall or in the air around the fireplace can cause melting, discoloration or damage to decorations, a TV or other electronic components.

⚠ WARNING ⚠

- **ALWAYS** mount the unit before use. **DO NOT** set this unit on the floor or any other surfaces to use.
- **NEVER** use a wall mount bracket from another manufacturer.
- **Do not install the fireplace against a vapor barrier or exposed insulation.**
- **For residential use only! NOT for commercial use!** Any commercial or public use of this heater voids all warranties and could cause injury.
- **This product is not intended to be a primary heat source.** It is for supplemental heat only.
- **INDOOR use only! NEVER** use this heater outdoors! Doing so may result in electric shock!
- **DO NOT OPEN! Risk of electric shock!** No user-serviceable parts inside!
- **NEVER modify this heater.** Doing so could result in personal injury or property damage. Modification of this fireplace completely voids all warranties.
- **ALWAYS** turn this heater off before unplugging it from the outlet.
- **ALWAYS** disconnect this unit from the power supply before performing any assembly or cleaning, or before relocating the electric fireplace.
- **NEVER** leave this heater unattended. **ALWAYS** unplug this heater when it is not in use.
- **ALWAYS** store this heater in a dry location. **NEVER** use the fireplace in a location where it may become wet.
- **NEVER** plug this heater into an outlet that is old, cracked, or has any loose wires or connections. Plugging this heater into a faulty outlet could result in **electric arcing** within the outlet that could cause the outlet to overheat or catch fire.
- **ALWAYS** check your heater cord and plug connections with each use!
 - i) **MAKE SURE** the plug fits tightly in the outlet! Faulty wall outlet connections or loose plugs can cause the outlet to overheat.
 - ii) **Heaters draw more current** than small appliances. **Overheating** may occur even if it has not occurred with the use of other appliances.
 - iii) During use, frequently check to see if the plug outlet or faceplate is **HOT!**
 - iv) If the outlet or faceplate is **HOT, discontinue use immediately** and have a qualified electrician inspect and/or replace the faulty outlets.
- The power cord supplied with the heater has a plug with two flat blades (live and neutral) and one round pin (ground). If a 3-slot receptacle is not available, an adapter **MUST** be used. The adapter **MUST** be **properly grounded** to the outlet box (see figure at right).
- **NOTE: Adapter NOT INCLUDED.**
- Under no circumstances should this fireplace be modified.

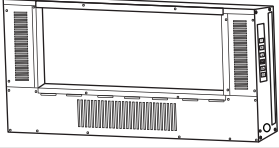

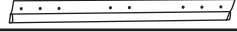



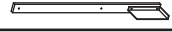

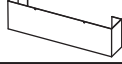




Any modification to the product or failure to follow recommended care will void the product warranty.

⚠ WARNING!



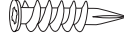
Manufacturer and seller expressly disclaim any and all liability from personal injury, property damage or loss, whether direct or indirect, or incidental, resulting from the incorrect attachment, improper use, inadequate maintenance, or neglect of this product.

Parts and Hardware

No.	PARTS	QTY.
A	 Electric Firebox	1
B	 Glass Front	1
C	 Mounting Bracket	1
D	 Acrylic Crystals	1PK
E	 Pebbles	1PK
F	 Log Set	1
G	 Tabletop Support	2
H	 Deflector	1
I	 Front	1
J	 Tabletop Base	1
K	 Remote Control	1



Inspect packaging to ensure all parts are accounted for before disposing of packing materials.

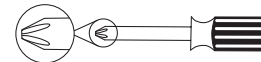
No.	HARDWARE	QTY.
AA	 M4x8mm Screw	12
BB	 M4x35mm Screw	2
CC	 Wall Anchor	2

Check for the hardware bag located inside the packaging, taped to the top of the box. Do not discard any pieces.

WARNING

CHOKING HAZARD — This item contains small parts that can be swallowed. Keep children away during assembly.

TOOLS REQUIRED (not included)



Phillips Screwdriver



2-PERSON
ASSEMBLY/
INSTALLATION
RECOMMENDED


Preparation

 This product includes a **GLASS** panel! Always use extreme caution when handling glass. Failure to do so could result in personal injury or property damage.

Before beginning assembly, compare all parts with the Parts and Hardware lists. Be sure you have all the parts and can identify them. A helping hand is always good. Assemble your fireplace with an adult assistant if possible. Some pieces are heavy and will need to be held by a helper.

Use scissors to remove packaging from the parts. Do not use a box cutter as you may cut into the heater pieces and damage the finish. Check for the hardware bag located inside the packaging, taped to the top of the box. Do not discard any pieces. Use an appropriate screwdriver to insert and tighten all screws.

Assembly steps are grouped for wall-hanging or freestanding installation. Check the parts list to make sure nothing is missing. Dispose of packaging materials properly. Please recycle whenever possible.

 Before installation, plug the unit into a properly grounded GFCI outlet for a brief test to ensure the unit works properly.

Tools needed for installation (not included):

Phillips screwdriver, stud finder, level, tape measure, pencil, power drill, 1/4" wood drill bit, safety glasses

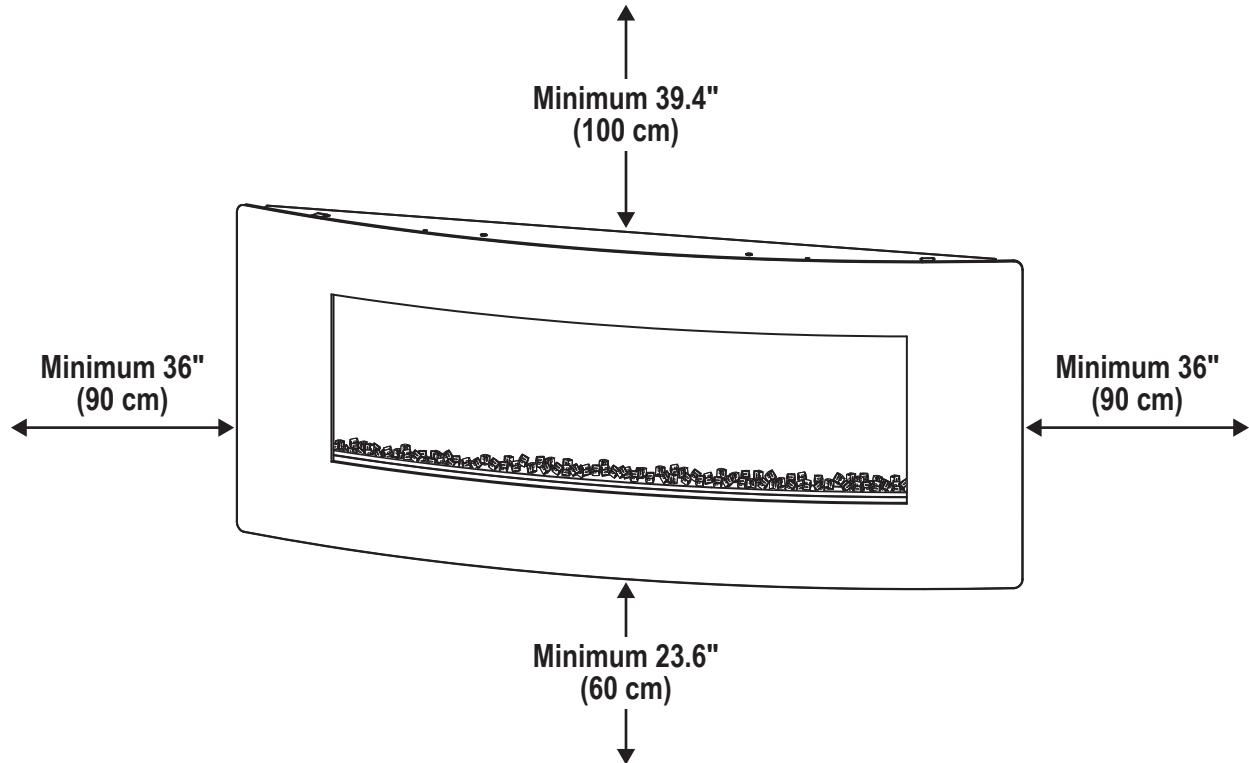
WARNING

If mounting near a mantel, the paint or lacquer must be heat resistant.

Installation and Assembly

This electric fireplace is a wall-mounted or freestanding-mounted firebox installed appliance. Select a suitable location that is not susceptible to moisture and is away from drapes, furniture and high traffic areas.

NOTE: Follow all National and local electrical codes.



! Install in a safe location

Minimum clearance on each side: 36" (90 cm)

Minimum clearance below: 23.6" (60 cm)

Minimum clearance above: 39.4" (100 cm)

Minimum clearance from the front: 36" (90 cm)

Choose a location near a properly grounded outlet. Do not use an extension cord.

DO NOT position the unit directly below a power outlet.

See Important Safety Information on pages 2 and 3 for warnings about safe placement, safe installation, and proper use of this product.

! WARNING

Read and understand this entire manual, including all safety information, before plugging in or using this product. Failure to do so could result in fire, electric shock, or serious personal injury.

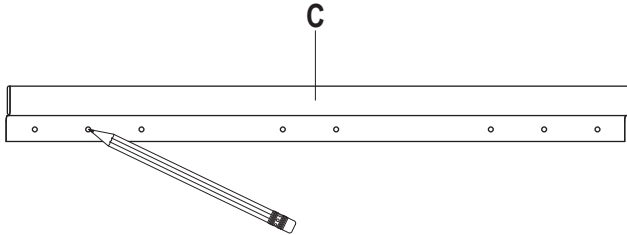
Wall-Mount Installation

Due to the many different materials used for walls, it is recommended to consult a certified home contractor before installing this appliance on a wall.

NOTE: When installing on drywall, it is strongly recommended that the mounting bracket be screwed into the wall studs where possible. If the wall studs cannot be used, ensure that the supplied anchors are used before affixing the bracket to the wall.

Manufacturer and seller expressly disclaim any and all liability from personal injury, property damage or loss, whether direct or indirect, or incidental, resulting from the incorrect attachment, improper use, inadequate maintenance, or neglect of this product.

 **ENSURE the fireplace is unplugged before assembly, installation, cleaning or relocating. Failure to do so could result in electric shock, fire, or personal injury.**

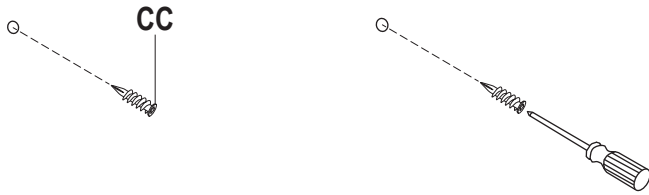


1 Choose a solid wall. It is recommended to install the mounting bracket to at least one stud.

Using Mounting Bracket (C) as a template, position the bracket where Electric Firebox (A) will be installed.

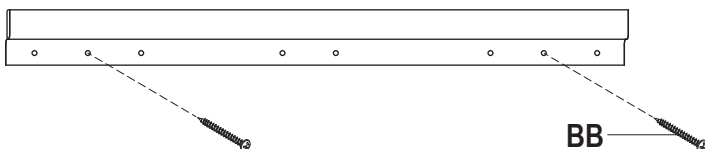
Ensure the mounting bracket is level.

Use a pencil to mark the two locations where the screws will be installed.

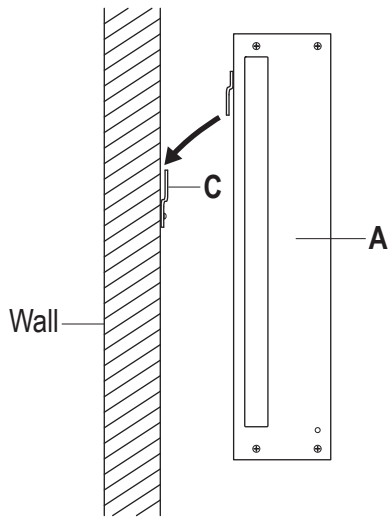


2 Insert the 2 self-drilling wall anchors (CC) into the wall where previously marked.

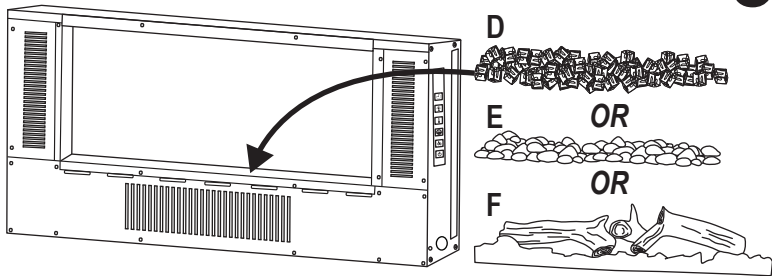
NOTE: If installing the mounting bracket (C) to a wall stud, there is no need to drill holes in the wood and no need for the wall anchors.



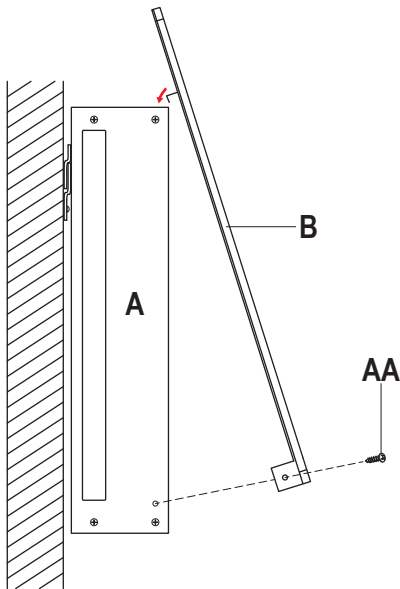
3 Secure Mounting Bracket (C) to the wall using two M4x35mm Screws (BB).



- 4** Hang Electric Firebox (A) on Mounting Bracket (C).
Ensure the bracket and firebox are fully engaged before releasing the firebox.



- 5** Select your preferred ember bed media:
- Acrylic Crystals (D)
 - Pebbles (E)
 - Log Set (F)
- Place the ember bed media along the inset window ledge at the front of the firebox.



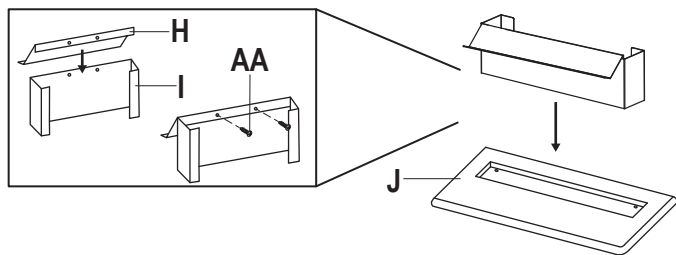
- 6** Lift Glass Front (B) into place, ensuring the 2 tabs on the top backside of the glass fit securely into the holes on the top of Firebox (A).
 Secure the bottom of the glass front by fastening M4x8mm Screws (AA) on both sides.
- NOTE:** This glass front is heavy. It is recommended that two people install the glass to prevent damage to the glass front or the electric firebox.



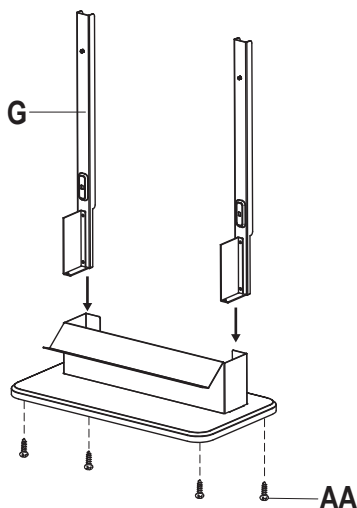
Read and understand this entire owner's manual, including all safety information, before plugging in or using this product. Failure to do so could result in electric shock, fire, serious injury, or death.

Freestanding Installation

 **ENSURE** the fireplace is unplugged before assembly, installation, cleaning or relocating. Failure to do so could result in electric shock, fire, or personal injury.

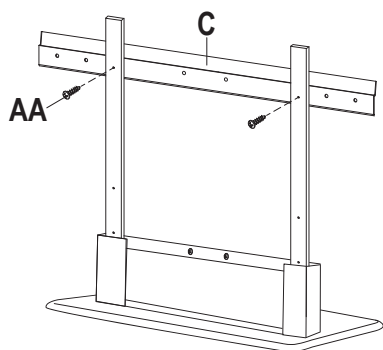


- 1** Attach Deflector (H) to Front (I) using two M4x8mm Screws (AA).
Place the assembled components into Tabletop Base (J), as shown.



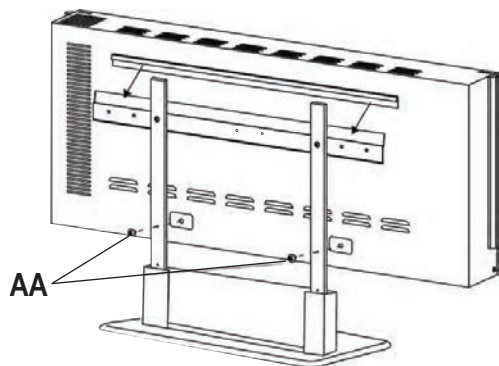
- 2** Attach the left and right Tabletop Supports (G) to the table top base (J) using 4 screws (AA).

NOTE: The tabletop supports are identical, and will install exactly as shown.

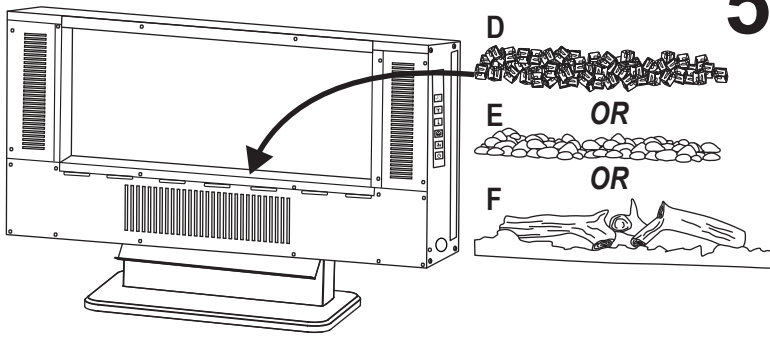


- 3** Secure Mounting Bracket (C) to the tabletop stand with two M4x8mm Screws (AA).

NOTE: Ensure the bracket is installed correctly. The mounting holes must be on the bottom and flush with the front of the supports. There will be a slight gap between the front of the supports and the top of the bracket.



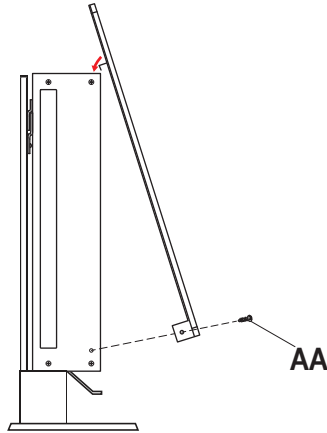
- 4** Hang Electric Firebox (A) on Mounting Bracket (C).
Secure the Firebox (A) to Mounting Bracket (C) with two M4x8mm Screws (AA).



5 Select your preferred ember bed media:

- Acrylic Crystals (D)
- Pebbles (E)
- Log Set (F)

Place the ember bed media along the inset window ledge at the front of the firebox.



6 Lift Glass Front (B) into place, ensuring the 2 tabs on the top backside of the glass fit securely into the holes on the top of Firebox (A).

Secure the bottom of the glass front by fastening M4x8mm Screws (AA) on both sides.

NOTE: This glass front is heavy. It is recommended that two people install the glass to prevent damage to the glass front or the electric firebox.

NOTICE

Keep this owner's manual for future reference. If you sell or give this product away, make sure this manual accompanies this product.

Any modification to the product or failure to follow recommended care will void the product warranty.

⚠️ WARNING!

Manufacturer and seller expressly disclaim any and all liability from personal injury, property damage or loss, whether direct or indirect, or incidental, resulting from the incorrect attachment, improper use, inadequate maintenance, or neglect of this product.

Operation

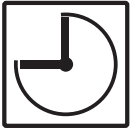
Methods of Operation

The control panel is located on the top-right side of Electric Firebox (A). This panel contains the buttons to operate the electric fireplace.

The buttons on the control panel and on Remote Control (K) function in the same way. The remote control has an effective range of up to 13 feet.

Before operating, please review the IMPORTANT SAFETY INFORMATION on Pages 2 and 3, and heed all warnings.

CONTROL PANEL



Timer Control

Controls the timer settings that will automatically turn the fireplace off.



Side Light Control

Changes the color(s) of the side lights.



Thermostat Control Power

Changes the temperature setting.



Ember Bed Control

Changes the color(s) of the ember bed.



Flame Control

Changes the flame effect.

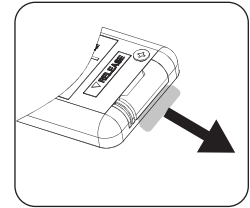
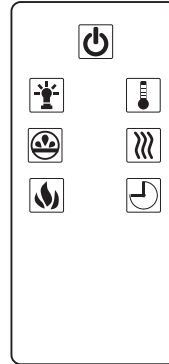
NOTE: this button is also used to lock the heating function from being used.



Main Power

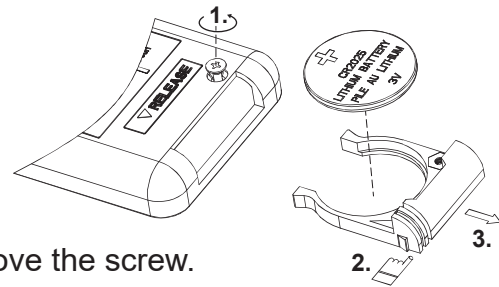
Turns the unit on and off.

REMOTE CONTROL



NOTE: Pull the insulating film out from the battery housing before using the remote control.

BATTERY REPLACEMENT



Remove the screw.

Press the release lever toward the center of the battery holder.

Pull the battery holder out.

Replace the battery and slide the holder back into the remote and fasten the screw.

Promptly remove expelled battery, as the acid inside the battery could leak, damaging the remote.

IMPORTANT: This product contains a button battery. If swallowed, it could cause severe injury or death in just 2 hours. If swallowed, seek medical attention immediately.

NOTICE

To improve operation, aim the remote control at the front of the fireplace. **DO NOT** press the buttons too quickly. Give the unit time to respond to each command.



NEVER dispose of batteries in fire. Failure to observe this precaution may result in an explosion. Dispose of batteries at your local hazardous material processing center.

USING THE POWER BUTTON



The main power button is located on the control panel on the side of the electric fireplace.

Pressing the power button once turns the power on.

Pressing the power button again will turn the power off.

If you find that none of the other buttons appear to work, check to make sure the fireplace is plugged in and the main power is turned on.

USING THE FLAME CONTROL BUTTON



Press the flame control button to turn on the ember bed and flame effect. Pressing the flame control button once turns flames on and lights the ember bed. Pressing the flame control button again will cycle through different colors of the ember bed. The color rotation mode will cycle through different color settings continuously. Reference the table for more detailed information.

BUTTON PRESS	FLAME EFFECT	DISPLAY VALUE
1st Press	Orange	1
2nd Press	Green	2
3rd Press	Blue	3
4th Press	Orange/Green	4
5th Press	Orange/Blue	5
6th Press	Orange/Green/Blue	6
7th Press	Cycle	7

HEATER LOCKING FUNCTION



To turn off heat mode, press and hold the flame button for 5 seconds to enter heat lock out mode. Flame lights will flash 5 times to signal the heat function is turned off and locked out. To turn on heat mode, press and hold the heat button for 5 seconds. The flame lights will flash 5 times and the heat function will be restored. When the heat button is pressed in lock out mode, the ember bed will flash 5 times until the heating mode is turned on.

USING THE THERMOSTAT CONTROL BUTTON



Pressing the thermostat control button once turns the heater fan on. Press and hold the thermostat control button for 5 seconds to enter the temperature mode. After 5 seconds press the thermostat control button to cycle through the different heat settings. Continue to press the thermostat control button to cycle through the different heat settings. Once the desired room temperature is reached the heater fan will deactivate.

Reference the table for more information.

To display the temperature setting in either Fahrenheit or Celsius, press the thermostat control button  of control panel once, then press and hold the power button  of control panel for 5 seconds. The display will beep and switch between Fahrenheit or Celsius.

BUTTON PRESS	FAHRENHEIT TEMPERATURE	BUTTON PRESS	CELSIUS TEMPERATURE
1	62°F	1	17°C
2	63°F	2	18°C
3	64°F	3	19°C
4	65°F	4	20°C
....
20	81°F	10	26°C
21	82°F	11	27°C
22	ON	12	ON

NOTICE

When the heater is first turned on, a slight odor may be present. This is normal and should not occur again unless the heater is not used for a long period of time.

USING THE TIMER BUTTON



Pressing the timer control button will set the timer. This interval period is shown in the display on the control panel on the side of the electric fireplace. The set intervals are as listed in the table.

NOTE: If this product experiences exceptionally high temperature, it may automatically stop heating. If this occurs the product should be unplugged or isolated from the main supply for a period of 15-20 minutes before the power is then resupplied.

BUTTON PRESS	TIME INTERVAL	DISPLAY VALUE
1st Press	30 Minutes	30
2nd Press	1 Hour	1H
3rd Press	2 Hours	2H
4th Press	3 Hours	3H
5th Press	4 Hours	4H
6th Press	5 Hours	5H
7th Press	6 Hours	6H

USING THE AMBIENT SIDE LIGHTING



Press the side light control button to turn on the ambient lighting.

To change the color of the lighting press the side light control button again. You can control the side lights color as described in the table. The color rotation mode will cycle through different color settings continuously.

BUTTON PRESS	SIDE LIGHT COLOR	DISPLAY VALUE
1st Press	Blue	■■■■■■
2nd Press	Red	■■■■■■
3rd Press	Cycle	■■■■■■
4th Press	Off	

USING THE EMBER BED CONTROL BUTTON



Press the ember bed control button to light the ember bed. Continue to press the ember bed control button to cycle through different colors of the ember bed. Reference the table for more information.

BUTTON PRESS	1ST PRESS	2ND PRESS	3RD PRESS	4TH PRESS	5TH PRESS	6TH PRESS	7TH PRESS
Ember Bed	Orange	Green	Blue	Red	Red/Blue (Mix to Purple)	Red/Green/Blue (Mix to White)	Cycle
Display Value	1	2	3	4	5	6	7

Temperature Limiting Control

There is a thermostat limiter inside the fireplace. When the inner temperature overheats or abnormal heating occurs, the thermostat protective device will cut off power supply to avoid damage to the fireplace or risk of fire.

To reset:

1. Unplug the power cord from the outlet.
2. Wait for at least 15-20 minutes before plugging the unit back in.
3. Press the Power Button to restart the unit.
4. If the unit does not power on, allow the unit to thoroughly cool down and inspect the fireplace to make sure no vents are blocked, or clogged with dust or lint. If they are, use a vacuum to clean the vent areas.
5. If the problem continues, have your outlet and wiring inspected by a professional.

Cleaning



ALWAYS turn the heater OFF and unplug the power cord from the outlet before cleaning, performing maintenance, or moving this fireplace. Failure to do so could result in electric shock, fire, or personal injury.

NEVER immerse in water or spray with water or cleaning solutions. Doing so could result in electric shock, fire, or personal injury.



DO NOT CLEAN WHILE THE UNIT IS HOT! Wait at least 45 minutes after the unit is powered off before attempting to clean. If the unit still feels hot, wait until it is completely cooled.

Metal:

- Dust using a soft cloth. Clean with a slightly damp cloth or duster. Dry thoroughly with a paper towel or a soft, lint-free cloth.
- **DO NOT** use brass polish or household cleaners as these products will damage the metal.

Glass:

- Use a good quality glass cleaner sprayed onto a cloth or towel to clean the glass. Dry thoroughly with a paper towel or a soft, lint-free cloth.
- **NEVER** use abrasive cleansers, liquid sprays, or any cleaner or cloth that could scratch the surface.

Vents:

- Use a vacuum or duster to remove dust and dirt from the heater and vent areas.
- Clean the exterior of the fireplace with a slightly damp cloth or duster.

! DO NOT ALLOW WATER OR CLEANERS TO GET INSIDE THE UNIT! !

Maintenance



Risk of electric shock! DO NOT OPEN! No user-serviceable parts inside!

ALWAYS turn the heater OFF and unplug the power cord from the outlet before cleaning, performing maintenance, or moving this fireplace. Failure to do so could result in electric shock, fire, or personal injury.

Electrical and Moving Parts:

- The fan motors are lubricated at the factory and will not require lubrication.
- Electrical components are integrated in the fireplace and are not serviceable by the consumer.

Storage:

- Store heater in a clean, dry place when not in use.

! WARNING: No other servicing should be performed by the consumer. Do not service the unit yourself. If the LED bulbs require replacement, contact a Qualified technician. Do not attempt to change the bulbs yourself.

Any modification to the product or failure to follow recommended care will void the product warranty.