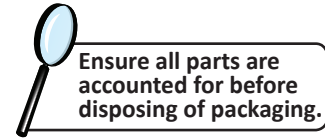
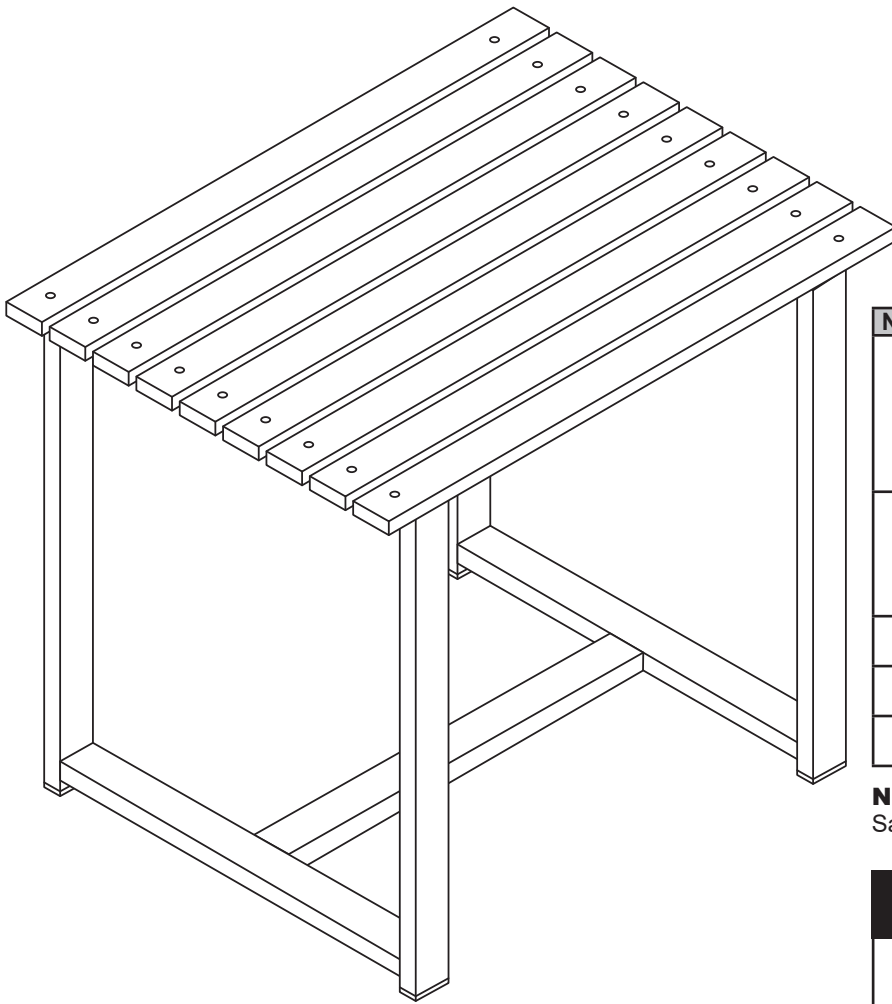
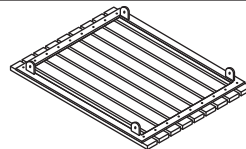
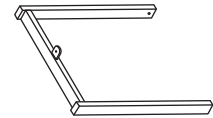

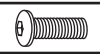



RECTANGULAR SIDE TABLE

DMR-439

Review assembly instructions carefully and follow the care instructions. Save this document for future reference.
Assemble components on a soft, clean surface to avoid scratching or damaging the finish.



No.	PARTS	QTY.
A	 Tabletop	1
B	 Leg Panel (L,R)	2
C	 Crossbar	1
D	 M8x20mm Bolt	6
E	 Hex Key	1

NOTE: Over time, and with use, the bolts may become loose. Save the included tools for tightening loosened hardware.

⚠ WARNING ⚠

CHOKING HAZARD — This item contains small parts that can be swallowed. Keep children and pets away during assembly.

ⓘ **HELPFUL HINT**

Sunnydaze Decor advises reading this manual fully, and assembling the unit soon after purchase. Check that all parts are accounted for and familiarize yourself with the assembly before beginning. Save this manual for future reference.

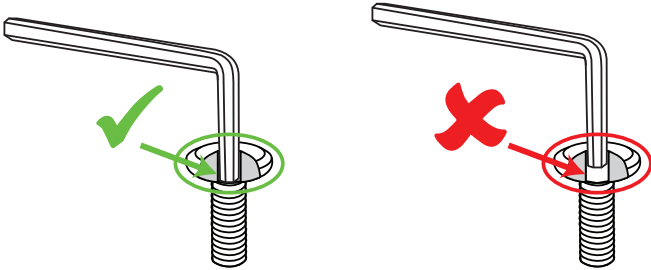
ASSEMBLY

Review all steps and understand assembly before beginning.

Do not fully tighten hardware until all components have been loosely assembled.

If bolts are tightened too soon, mounting holes may not align, and parts may not easily fit together.

TIP: Always fully insert the hex key inside the designated notch of the bolt.

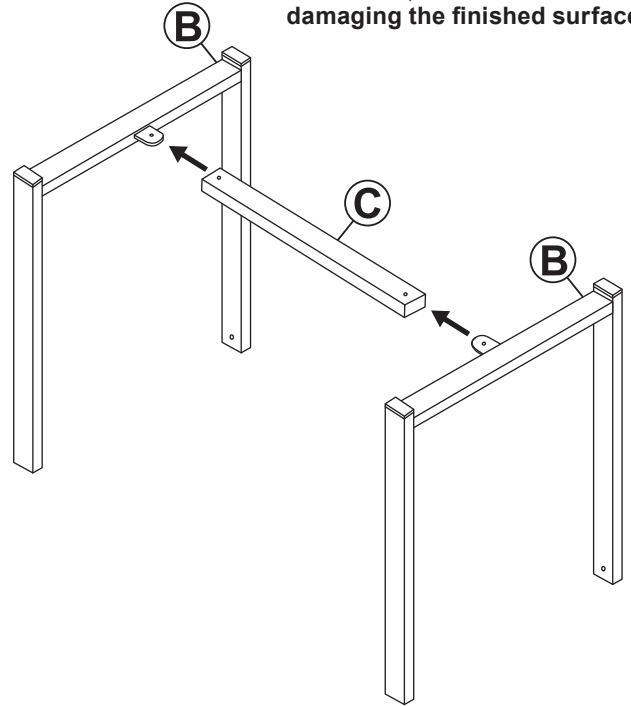


If the hex key is not fully inside the notch, the hex key could slip out, causing damage to the bolt head. Repeated hex key slipping will cause the notch to become rounded, making it difficult or impossible to tighten the bolt with the hex key.

STEP 1

B: 2
C: 1

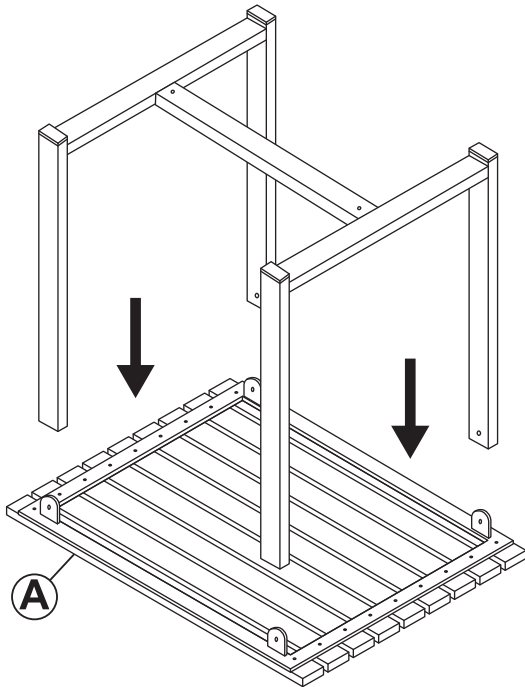
TIP: Assemble components on a clean, soft surface to avoid damaging the finished surfaces.



- Align Crossbar (C) with the tabs on the bottom of Legs (B). Ensure the mounting holes on the crossbar are facing the bottom of the table, as shown.

STEP 2

A: 1

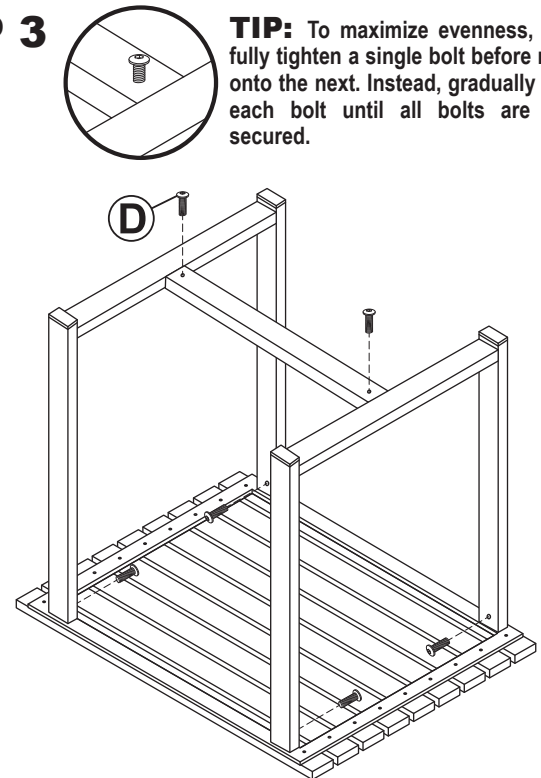


- Lay Tabletop (A) upside down on a soft, clean surface.
- Firmly holding the legs and crossbar, place the legs over the tabs on the bottom of the tabletop.

STEP 3

D: 6

TIP: To maximize evenness, do not fully tighten a single bolt before moving onto the next. Instead, gradually tighten each bolt until all bolts are evenly secured.



- Secure the crossbar to the legs using two M8x20mm Bolts (D) and four bolts to secure the legs to the tabletop.



Care & Maintenance

SAFE USE: Do not sit or stand on this unit.

CLEAN: Wipe down surfaces with a damp cloth. Dry with a soft, lint-free cloth.

INSPECT: Periodically check hardware and tighten as necessary.

STORAGE: Store indoors during freezing conditions. Cover with a breathable cover to prevent dust and debris build-up.

SAFETY STATEMENTS & WARNINGS

- Do not sit or stand on any part of this unit.
- Do not exceed the weight capacity of the unit.
- Do not put hot items on or near furniture.
- Keep furniture a safe distance from heat sources such as fire pits, patio heaters, and grills.
- Do not use harsh chemicals or abrasive materials to clean this unit.
- This product is for residential use only; institutional or commercial use will void this warranty.

Any modification to the product or failure to follow recommended care will void the product warranty.

If you experience issues with assembly or the product was damaged during shipping, please contact our customer service team through one of the methods mentioned at the top of page 1. Please have the item number and order information ready to expedite response time.

WARNING!

Manufacturer and seller expressly disclaim any and all liability from personal injury, property damage or loss, whether direct or indirect, or incidental, resulting from the incorrect attachment, improper use, inadequate maintenance, or neglect of this product.

