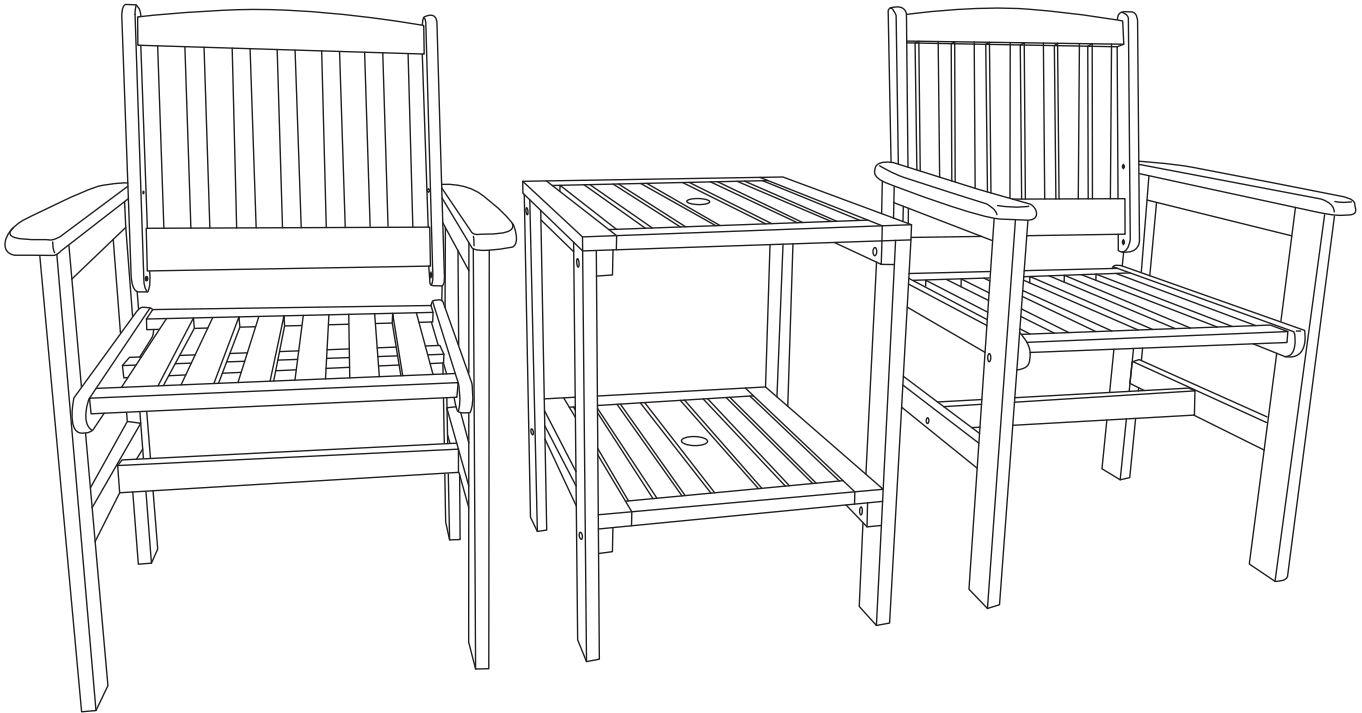



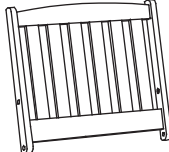
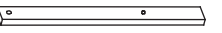

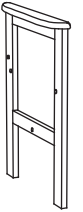





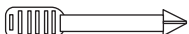



Thank you for choosing Sunnydaze Decor. We stand behind our brand and the quality of the items we sell. Replacement parts or products will be sent at our discretion within the 1-year warranty period. Proof of purchase, with the date of purchase as well as photos of the merchandise defect, must be provided. Photos are used to determine the cause of defects and for future quality control. Register your warranty at <https://tiny.cc/SunnydazeWarranty>. If you have any questions, comments or concerns, feel free to contact us by phone at 833-982-1977, by email: customerservice@sunnydazedecor.com, or via our contact us page at <https://tiny.cc/SunnydazeContact>

MERANTI WOOD 3-PIECE CONVERSATION SET FRN-909

Read this manual carefully before using this product. Save this manual for future reference.
Assemble components on a soft, clean surface to avoid damaging the finish.



No.	PARTS	QTY.	No.	PARTS	QTY.
A	 Tabletop	1	F	 Seat	2
B	 Table Shelf	1	G	 Backrest	2
C	 Table Leg	4	H	 Support Beam	2
D	 Right Arm	2	1	 JCBC M6x60 Bolt	4
E	 Left Arm	2	2	 JCBC M6x40 Bolt	24
			3	 Barrel Nut	4
			4	 Hex Key	1
			5	 Barrel Nut Driver	1



Ensure all parts are accounted for before disposing of packaging.

WARNING
CHOKING HAZARD —
This item contains small parts that can be swallowed by children. Keep children away during assembly.

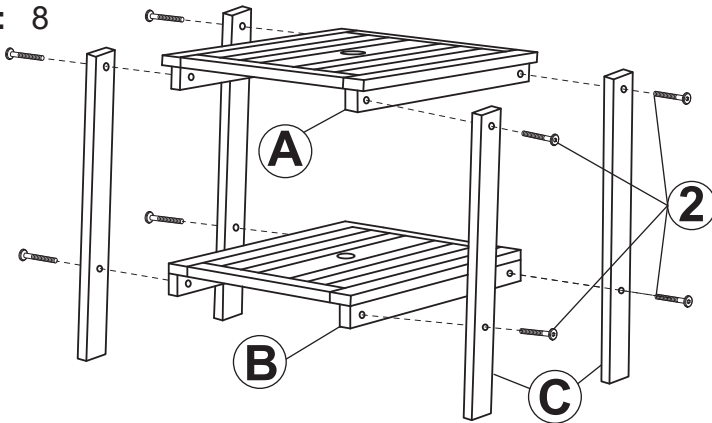
ASSEMBLY

Read carefully and understand assembly before beginning.

Do not fully tighten bolts until all components have been loosely assembled.

STEP 1

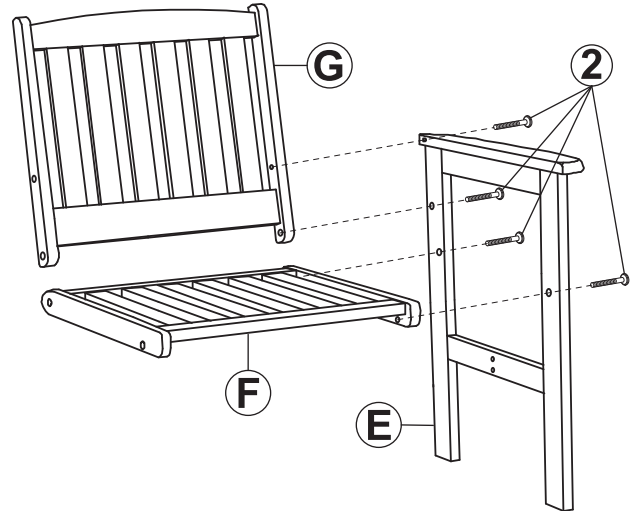
A: 1
B: 1
C: 4
2: 8



- Fasten Leg (C) to Tabletop (A) and Table Shelf (B) by hand-tightening 2x M6x40 Bolt (2).
- Repeat until all legs have been installed.
- Tighten all bolts using Hex Key (4).

STEP 2

E: 1
F: 1
G: 1
2: 4

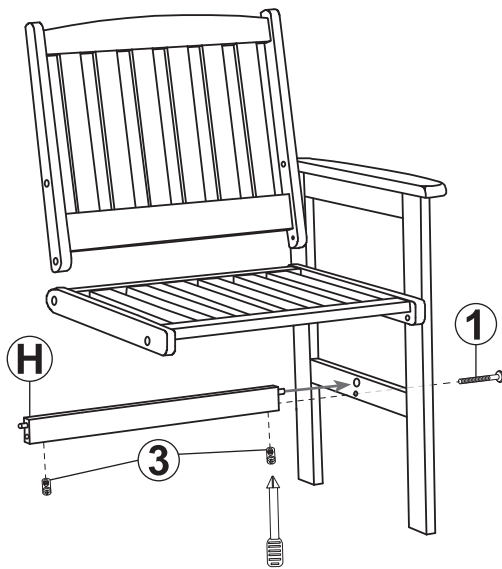


- Fasten Left Arm (E) to Seat (F) by hand-tightening 2x M6x40 Bolt (2).
- Fasten Backrest (G) to Left Arm (E) by hand-tightening 2x M6x40 Bolt (2).

Do not fully tighten bolts until after Step 4 is complete.

STEP 3

H: 1
1: 1
3: 2

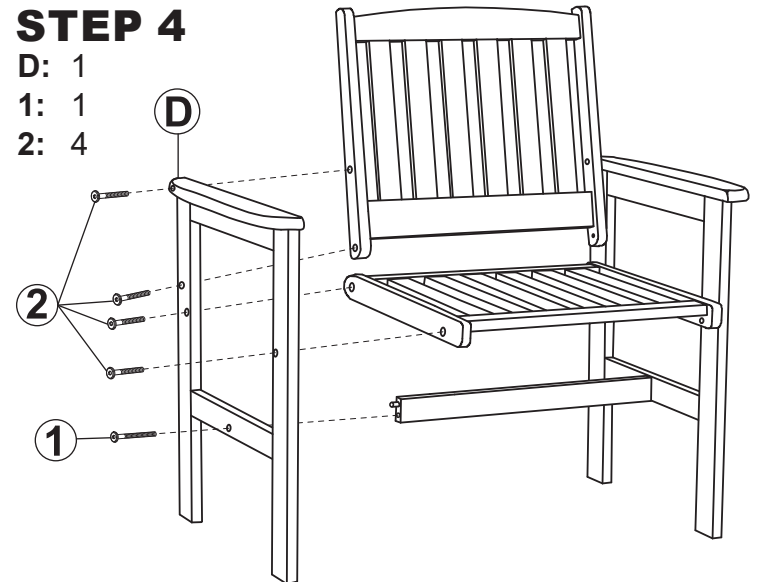


- Insert 2x Barrel Nut (3) into Support Beam (H). Use the Barrel Nut Driver to align the barrel nut with the hole on the side of the support beam.
- Insert the peg on Support Beam (H) into the left arm.
- Fasten the components by hand-tightening 1x M6x60 Bolt (1) through the arm and into the barrel nut inside the support beam.

Do not fully tighten bolts until after Step 4 is complete.

STEP 4

D: 1
1: 1
2: 4



- Align Right Arm (D) with assembled components, ensuring the peg in the support beam is correctly positioned within the arm.
- Secure the arm by hand-tightening 1x M6x60 Bolt (1) and 4x M6x40 Bolt (2), as shown.
- Tighten all bolts from Step 2, 3, and 4 using Hex Key (4).
- Repeat steps 2, 3, and 4 to assemble the second chair.

Care & Maintenance

SAFE USE: For residential use only. Only use on a flat, level surface. Do not stand on the chairs. Do not sit or stand on the table.

INSPECT: Periodically check assembly points and tighten fittings as necessary.

CLEANING: Identify the direction of the woodgrain. Following the direction of the woodgrain, wipe surfaces with a soft, dry cloth. Do not use harsh chemicals or abrasive materials or a pressure washer to clean.

COVER: When not in use, cover furniture with a breathable cover to help protect it from the harmful effects of sunlight, inclement weather, dust build-up, and collecting debris.

WINTER CARE & STORAGE: Protect this item from inclement weather, especially ice and snow. Move to a cool, dry indoor location. Covering while in storage is recommended to help prevent dust build-up.

MAINTENANCE: If left untreated, the wood may weather. A suitable wood stain or oil may need to be applied yearly.

WARNING: THE ONE-YEAR WARRANTY DOES NOT COVER DAMAGES OR DEFECTS CAUSED BY THE USE OF CHEMICAL TREATMENTS OR PROTECTIVE COATINGS.

SAFETY STATEMENTS & WARNINGS

- Do not exceed the weight capacity of the furniture.
- Do not sit, stand, or climb on the table.
- Do not stand on the chairs.
- Inspect hardware often and tighten loose hardware before use.
- Do not put hot items on or near furniture.
- Do not allow children to use this product without adult supervision.
- Do not use harsh chemicals or abrasive materials to clean the furniture.
- Do not use a pressure washer to clean the furniture.

Any modification to the product or failure to follow recommended care will void the product warranty.

WARNING!

Manufacturer and seller expressly disclaim any and all liability from personal injury, property damage or loss, whether direct or indirect, or incidental, resulting from the incorrect attachment, improper use, inadequate maintenance, or neglect of this product.