



Thank you for choosing Sunnydaze Decor. If you have any questions, comments or concerns please feel free to contact us by phone at: **888-881-4668**, by email: customerservice@serenityhealth.com, or you could also email us via our contact us page at: www.SerenityHealth.com/contact_us.php.

We stand behind our brand and the quality of the items we sell. We will send new parts, or replace products at our discretion within the one year warranty period. Before we can help, you will need to provide proof of purchase with the date of purchase and photos of the defective merchandise. We will use the photos to determine the cause of defect and for future quality control.

ASSEMBLY INSTRUCTIONS SHEET

Item No. KF-65126WT Northern Lights Square Fire Pit with Grill - Bronze

Prior to assembly, make sure all parts are present. Compare parts with package contents list and diagram above. If any part is missing or damaged, do not attempt to assemble the product. Contact customer service for replacement parts.

Part list:

NO.	Parts	Qty.
A	Handle of Fire Screen	1
B	Fire Screen	1
C	1/4 Top Ring	4
D	Fire Bowl	1
E	Base	1
F	BBQ grate	1

NO.	Hardware	Qty.
T	Bolt(1/4"x5/8")	12
U	Washer	17
V	Nut	13
Y	Spanner	1
Z	Poker	1

WARNING:

FOR OUTDOOR USE ONLY! NEVER LEAVE FIRE UNATTENDED!

Supervise children and pets when the fire pit is in use.

DO NOT use this unit on a wood deck or on combustible surface such as dry grass,leaves,mulch,etc, and place it no closer than 2 feet (60 cm) from walls during use.

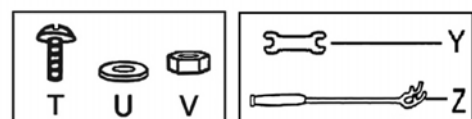
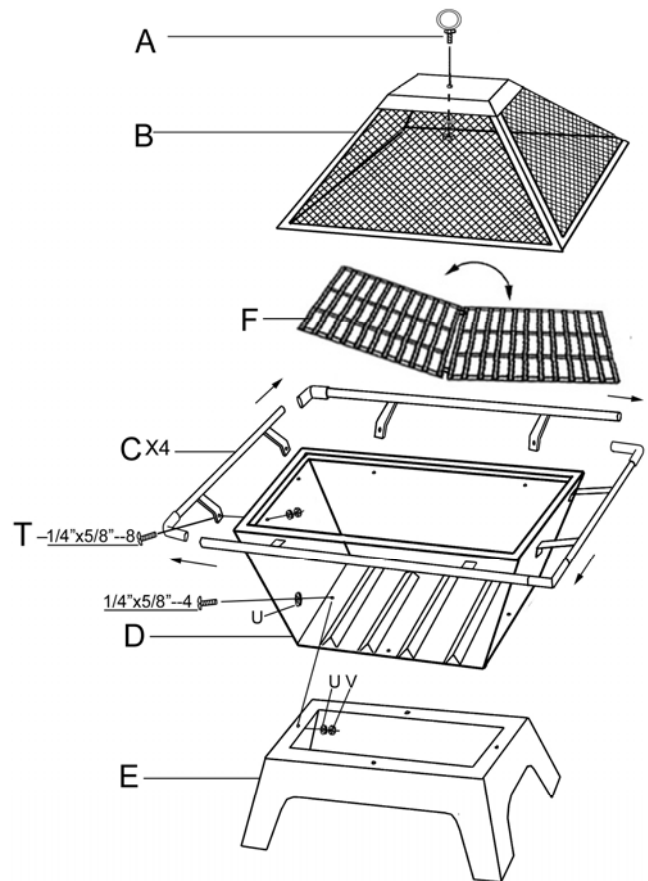
CAUTIONS:

1. Burn only wood or charcoal in the fire pit. **DO NOT** use gasoline or kerosene to start the fire in your fire pit. Light the fire using a match or lighter.
2. **Do not** touch the outside of your fire pit while it is in use.
3. Use the poker to move the handle of the fire screen during use.
4. Always have a fire extinguisher handy when burning.
5. **Do not** extinguish your fire pit with water. The water may cause distortion, rusty or flaking paint. Use fire extinguisher or allow attended fire to die out on its own.
6. **Do not** use in inclement weather.

Assembly Instructions:

Tools required: Spanner(Y) included.

1. Assemble the base(E) to Fire Bowl (D) with the 4 Bolts(T), 8 washers(U), 4 nuts(V) (4 washers are on the top, 4 washers are on the bottom)
2. Assemble 1 x 1/4 Top Ring(C) to Fire Bowl(D) with 2 x Bolt(T) 2 x Washer (U) and 2 x Nut(V) slightly, Don't tighten.
3. Connect the second 1/4 Top Ring(C) and the hole of the assembled 1/4 Top Ring (C) , then assemble the second 1/4 top ring (C) to Fire Bowl (D) with 2 x Bolt (T) 2 x Washer (U) and 2 x Nut(V) slightly, don't tighten.
4. Repeat Step 3 to assembly the rest 1/4 Top Rings (C) to Fire bowl(D). Adjust the bracket horizontal, then tighten all the bolts.
5. Assemble handle of Fire Screen (A) to the Fire Screen (B) with 1 x washer(U) and 1 x nut(V).
6. Put the BBQ grate(B) to the fire bowl(D), then put the Fire Screen (B) on the fire bowl(D)



Care And Maintenance:

1. To extend the life of your fire pit, clean the bowl after each use and cover the unit to protect it from the elements.
2. To maintain the coating color, cover the bottom of the fire bowl with small stones or sandstones before each use.
3. To maintain the finish, clean the surface by using a soft cloth. Do not use a metal brush.
4. If metal is scratched, the fire pit may need touch up painting. Ask your local paint store representative which paint is best for your type of fire pit. To prevent rusting, coat the exposed surface immediately.
5. Although fire pits in general do well in adverse weather conditions, store it in an enclosed structure during the off-season.
6. **It is recommended that rain cover protected chimeneas/fire pits from the rain when not in use.**