

# WOODEN ADIRONDACK CHAIR WITH ADJUSTABLE BACKREST

Read all assembly and care instructions carefully before using this product. Save this manual for future reference.  
**Assemble components on a soft, clean surface to avoid scratching or damaging the finish.**



**250**  
pounds  
113 kg

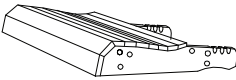


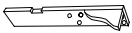



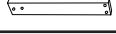

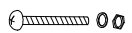
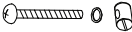
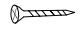
**! WARNING !**  
**CHOKING HAZARD** — This item contains small parts that can be swallowed by children. Keep children away during assembly.

**TOOLS REQUIRED (NOT INCLUDED)**

- 10mm Wrench
- Phillips Screwdriver
- Regular Screwdriver



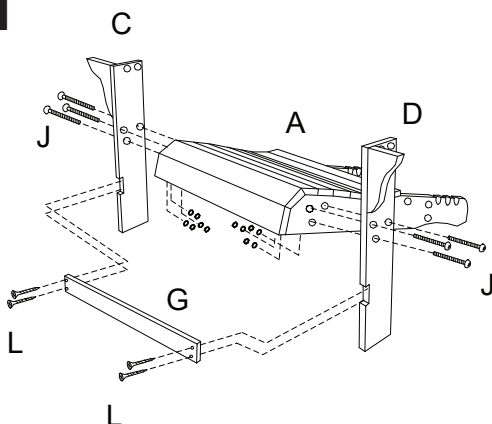
Inspect packaging to ensure all parts are accounted for before disposing of packing materials.

No.	PARTS	QTY.
A	 Seat	1
B	 Backrest	1
C	 Right Leg	1
D	 Left Leg	1
E	 Right Armrest	1
F	 Left Armrest	1
G	 Front Support Beam	1
H	 Rear Arm Support	2
I	 Adjustment Support	1
J	 50mm Bolt Set	18
K	 50mm Bolt Set with Barrel Nut	4
L	 Screw	6

## ASSEMBLY Keep all nuts and bolts loose during assembly.

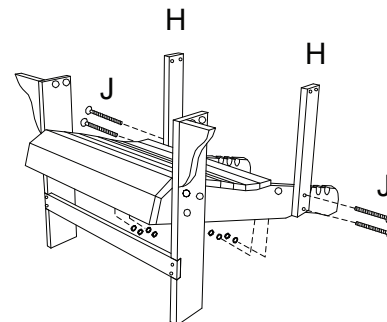
### STEP 1

- A: 1
- C: 1
- D: 1
- G: 1
- J: 6
- L: 4



### STEP 2

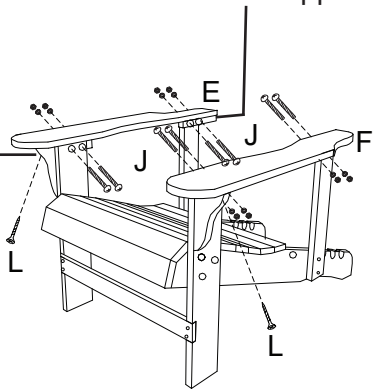
- H: 2
- J: 4



### STEP 3

E: 1  
F: 1  
J: 8  
L: 2

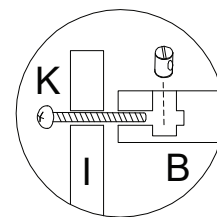
The block on the back of the armrest must be on the inside of the rear arm support.



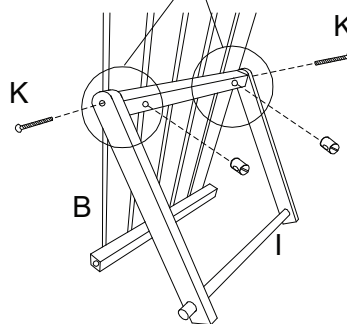
The block on the front of the armrest must be on the outside of the rear arm support.

### STEP 4

B: 1  
I: 1  
K: 2

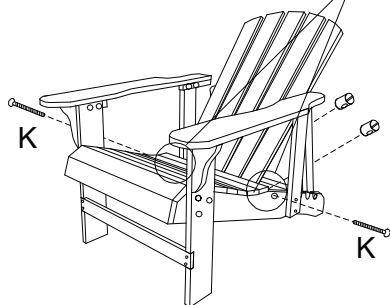
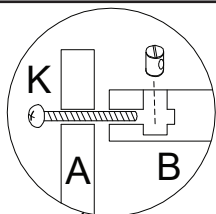


Do not over-tighten as it may crack the wood.

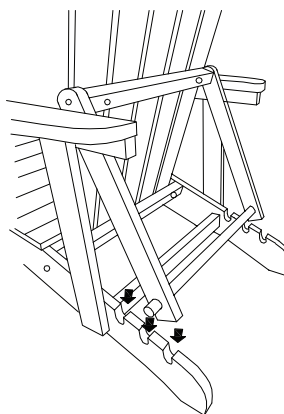


### STEP 5

K: 2



### STEP 6



Tighten all nuts and bolts; do not over-tighten as it may damage the finish and crack the wood.

Adjust the angle of the backrest via Adjustment Support (I).

## CARE & MAINTENANCE

**SAFE USE:** For residential use only. Only use on a flat, level surface. Do not exceed the weight capacity.

**INSPECT:** Periodically check hardware and tighten as necessary.

**CLEAN:** Wipe surfaces with mild soap, water and a soft, non-abrasive cloth. Rinse with clean water, ensuring all soap residue has been removed.

**WINTER CARE & STORAGE:** Move to an indoor location that is cool and dry. Cover while in storage to help prevent dust build-up.

Any modification to the product or failure to follow recommended care will void the product warranty.

### WARNING:

Manufacturer and seller expressly disclaim any and all liability from personal injury, property damage or loss, whether direct or indirect, or incidental, resulting from the incorrect attachment, improper use, inadequate maintenance, or neglect of this product.