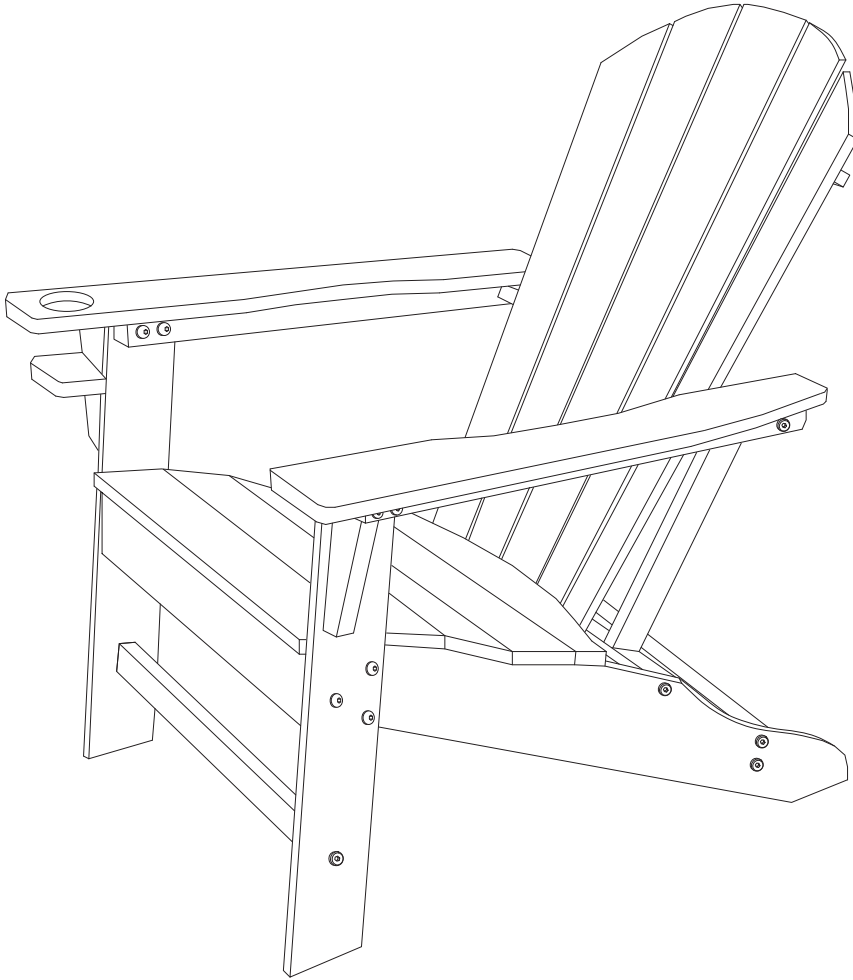


# LAKE-STYLE ADIRONDACK CHAIR WITH CUP HOLDER

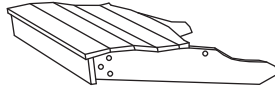
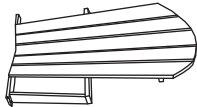
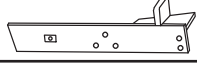
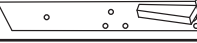



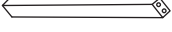

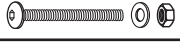



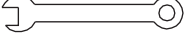
Read all assembly and care instructions carefully before using this product. Save this manual for future reference.  
**Assemble components on a soft, clean surface to avoid scratching or damaging the finish.**



Inspect packaging to ensure all parts are accounted for before disposing of packing materials.



2-PERSON  
ASSEMBLY  
RECOMMENDED

No.	PARTS	QTY.
A	 Seat	1
B	 Backrest	1
C	 Right Leg	1
D	 Left Leg	1
E	 Right Armrest	1
F	 Left Armrest	1
G	 Front Support	1
H	 Back Support	1
I	 M6x60mm Bolt Set	4
J	 M6x65mm Bolt Set	6
K	 M6x80mm Screw	2
L	 M6x65mm Screw	8
M	 Hex Key	1
N	 10mm Wrench	1

## ! HELPFUL HINT

Do not fully tighten hardware until all components are assembled. If hardware is tightened too soon, mounting holes may not align, and parts may not easily fit together.

## ! WARNING !

**CHOKING HAZARD** — This item contains small parts that can be swallowed. Keep children and pets away during assembly.

# ASSEMBLY

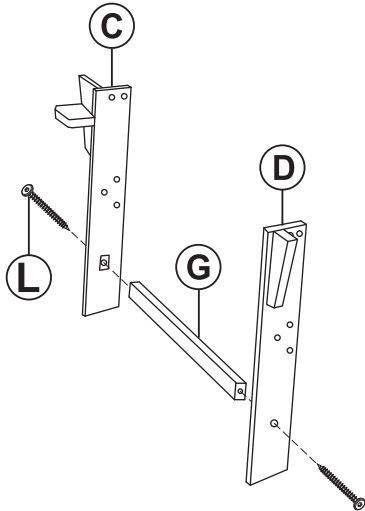
Review all steps and understand assembly before beginning.

**Do not fully tighten hardware until all components have been loosely assembled.**

**NOTE:** When installing lock nuts, the metal thread goes on first. Hand-tighten until you feel resistance, which is caused by the nylon insert. A wrench will be required to fully tightening the lock nut. **Do not fully tighten hardware until Step 5 is complete.**

## STEP 1

C: 1  
D: 1  
G: 1  
L: 2

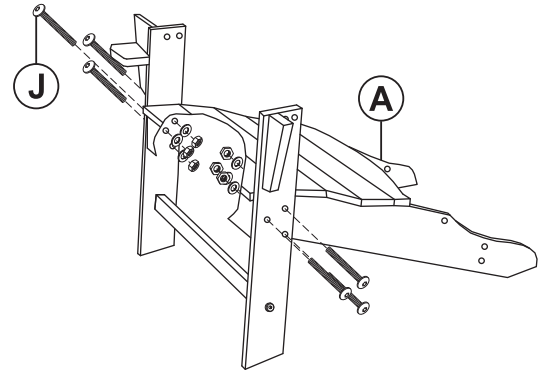


- Loosely connect Front Support (G) to Right Leg (C) using one M6x65mm Screw (L).
- Loosely fasten Left Leg (D) to the opposite side of Front Support (G) using one M6x65mm Screw (L).

Do not fully tighten hardware until Step 5 is complete.

## STEP 2

A: 1  
J: 6

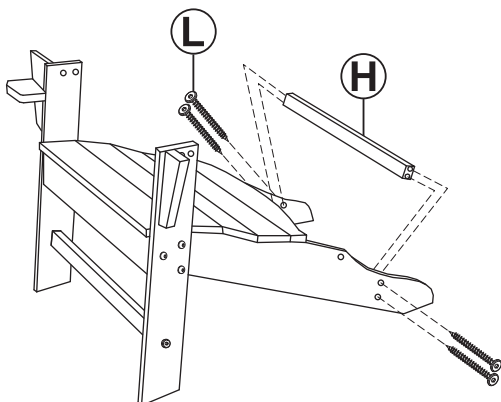


- Align the front of Seat (A) with the mounting holes on the legs.
- Loosely fasten the legs to the seat using three M6x65mm Bolt Sets (J) on each side, as shown.

Do not fully tighten hardware until Step 5 is complete.

## STEP 3

H: 1  
L: 4



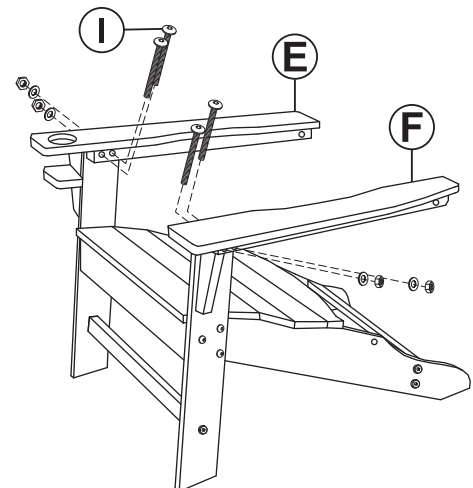
- Align Back Support (H) with the mounting holes on the very back of the seat.
- Loosely fasten the back support using two M6x65mm Screws (L) on each side, as shown.

Do not fully tighten hardware until Step 5 is complete.

## STEP 4

E: 1  
F: 1  
I: 4

**TIP:** Install bolt head on the inside of the chair as shown.

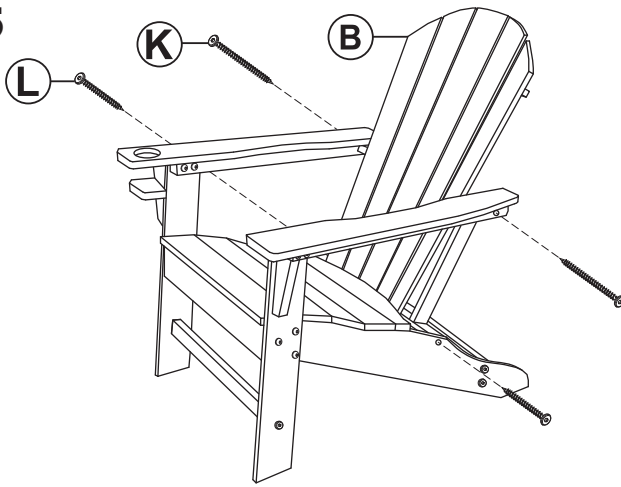


- Connect Right Armrest (E) to the top of the right leg using two M6x60mm Bolt Sets (I).
- Connect Left Armrest (F) to the top of the left leg using two M6x60mm Bolt Sets (I).

Do not fully tighten hardware until Step 5 is complete.

## STEP 5

B: 1  
K: 2  
L: 2



- With assistance, align Backrest (B) with the mounting holes on the seat and armrests.
- Secure the bottom of the backrest to the seat using one M6x65mm Screws (L) on each side.
- Secure the back of the armrests to the backrest using one M6x80mm Screw (K) on each side.
- Fully tighten all hardware from all steps.

## Care & Maintenance

**SAFE USE:** For residential use only. Only use on a flat, level surface. Do not stand on the chair. Do not exceed the weight capacity of the chair.

**INSPECT:** Periodically check hardware and tighten as necessary.

**CLEAN:** Mix a mild soap and water solution and wipe surfaces with a soft, non-abrasive cloth. Rinse with clean water, ensuring all soap residue has been removed. Do not use harsh chemicals or abrasive materials to clean.

**WINTER CARE & STORAGE:** Protect from inclement weather by moving furniture to an indoor location. Cover while in storage to help prevent dust build-up. When not in use, cover furniture with a breathable cover to help protect it from the effects of sunlight, inclement weather, dust build-up, and collecting debris.

### ! SAFETY STATEMENTS & WARNINGS !

- Do not exceed the weight capacity.
- Never stand on the chair.
- Inspect hardware often and tighten loose hardware before use.
- Do not put hot items on or near furniture.
- Keep furniture a safe distance from heat sources such as, but not limited to, fire pits, patio heaters, and grills.
- Do not allow children to use this product without adult supervision.
- Do not use harsh chemicals or abrasive materials to clean the furniture.

Any modification to the product or failure to follow recommended care will void the product warranty.

### ! WARNING:

Manufacturer and seller expressly disclaim any and all liability from personal injury, property damage or loss, whether direct or indirect, or incidental, resulting from the incorrect attachment, improper use, inadequate maintenance, or neglect of this product.