



Thank you for choosing Sunnydaze Decor. We stand behind our brand and the quality of the items we sell. Replacement parts or products will be sent at our discretion, within the one-year warranty period. Proof of purchase, with the date of purchase as well as photos of the defective merchandise, must be provided.

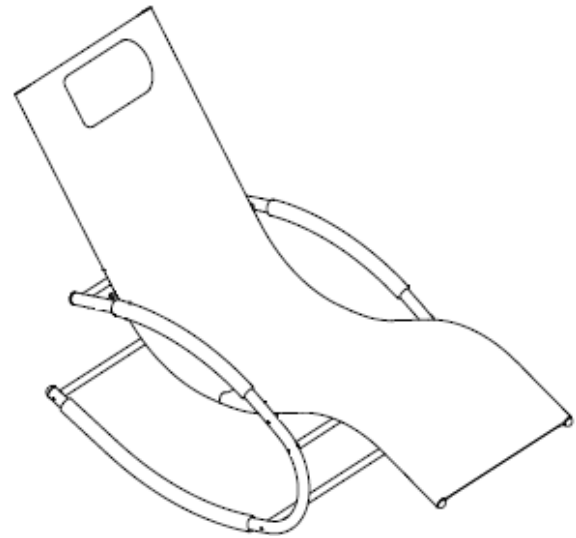
If you have any questions, comments or concerns please feel free to contact us by phone at: **888-881-4668**. You may also contact us by email: [customerservice@serenityhealth.com](mailto:customerservice@serenityhealth.com), or via our webpage at: [www.serenityhealth.com/contact-us/](http://www.serenityhealth.com/contact-us/)

## Rocking Wave Lounger



Warning:

- Remove all parts from packaging carefully.
- May require more than one person to assemble.
- Swallowing hazard! Please keep children and pets away from small parts.
- Do not exceed weight capacity of 250lbs.
- Do not climb on frame.
- Keep away from open flame.
- Store in a cool, dry place when not in use.



### Parts:

<p>A x 2PCS</p>	<p>B x 2PCS(B1/B2)</p>	<p>C x 2PCS(C1/C2)</p>	<p>D x 4PCS</p>	<p>E x 1PC</p>		
<p>F x 1PC</p>	<p>G x 2PCS</p>	<p>I x 4PCS</p>	<p>J x 8PCS</p>	<p>K x 4PCS</p>	<p>L x 4PCS</p>	<p>M x 1PC</p>

# Assembly:

