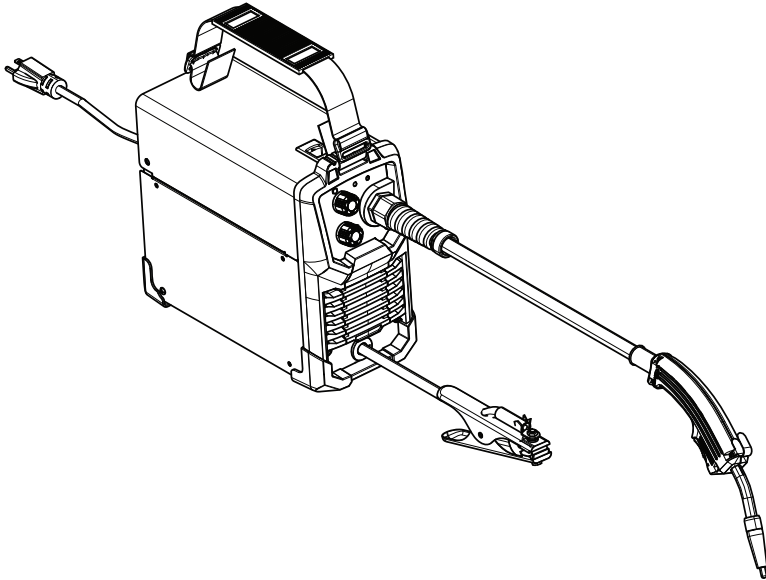




Operator's Manual

WELD-PAK 90i FC



For use with Product Numbers:

13397



Register your machine:
www.lincolnelectric.com/register

Authorized Service and Distributor Locator:
www.lincolnelectric.com/locator

Save for future reference

Date Purchased

Code: (ex: 10859)

Serial: (ex: U1060512345)

Need Help? Call 1.888.935.3877
to talk to a Service Representative

Hours of Operation:
8:00 AM to 6:00 PM (ET) Mon. thru Fri.

After hours?
Use "Ask the Experts" at lincolnelectric.com
A Lincoln Service Representative will contact you
no later than the following business day.

For Service outside the USA:
Email: globalservice@lincolnelectric.com

THANK YOU FOR SELECTING A QUALITY PRODUCT BY LINCOLN ELECTRIC.

PLEASE EXAMINE CARTON AND EQUIPMENT FOR DAMAGE IMMEDIATELY

When this equipment is shipped, title passes to the purchaser upon receipt by the carrier. Consequently, claims for material damaged in shipment must be made by the purchaser against the transportation company at the time the shipment is received.

SAFETY DEPENDS ON YOU

Lincoln arc welding and cutting equipment is designed and built with safety in mind. However, your overall safety can be increased by proper installation ... and thoughtful operation on your part. **DO NOT INSTALL, OPERATE OR REPAIR THIS EQUIPMENT WITHOUT READING THIS MANUAL AND THE SAFETY PRECAUTIONS CONTAINED THROUGHOUT.** And, most importantly, think before you act and be careful.

WARNING

This statement appears where the information must be followed exactly to avoid serious personal injury or loss of life.

CAUTION

This statement appears where the information must be followed to avoid minor personal injury or damage to this equipment.



KEEP YOUR HEAD OUT OF THE FUMES.

DON'T get too close to the arc. Use corrective lenses if necessary to stay a reasonable distance away from the arc.

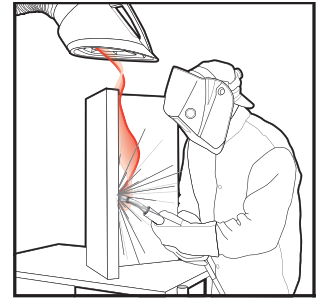
READ and obey the Safety Data Sheet (SDS) and the warning label that appears on all containers of welding materials.

USE ENOUGH VENTILATION or exhaust at the arc, or both, to keep the fumes and gases from your breathing zone and the general area.

IN A LARGE ROOM OR OUTDOORS, natural ventilation may be adequate if you keep your head out of the fumes (See below).

USE NATURAL DRAFTS or fans to keep the fumes away from your face.

If you develop unusual symptoms, see your supervisor. Perhaps the welding atmosphere and ventilation system should be checked.



WEAR CORRECT EYE, EAR & BODY PROTECTION

PROTECT your eyes and face with welding helmet properly fitted and with proper grade of filter plate (See ANSI Z49.1).

PROTECT your body from welding spatter and arc flash with protective clothing including woolen clothing, flame-proof apron and gloves, leather leggings, and high boots.

PROTECT others from splatter, flash, and glare with protective screens or barriers.

IN SOME AREAS, protection from noise may be appropriate.

BE SURE protective equipment is in good condition.

Also, wear safety glasses in work area **AT ALL TIMES.**



SPECIAL SITUATIONS

DO NOT WELD OR CUT containers or materials which previously had been in contact with hazardous substances unless they are properly cleaned. This is extremely dangerous.

DO NOT WELD OR CUT painted or plated parts unless special precautions with ventilation have been taken. They can release highly toxic fumes or gases.

Additional precautionary measures

PROTECT compressed gas cylinders from excessive heat, mechanical shocks, and arcs; fasten cylinders so they cannot fall.

BE SURE cylinders are never grounded or part of an electrical circuit.

REMOVE all potential fire hazards from welding area.

ALWAYS HAVE FIRE FIGHTING EQUIPMENT READY FOR IMMEDIATE USE AND KNOW HOW TO USE IT.



SECTION A: WARNINGS



CALIFORNIA PROPOSITION 65 WARNINGS



WARNING: Breathing diesel engine exhaust exposes you to chemicals known to the State of California to cause cancer and birth defects, or other reproductive harm.

- Always start and operate the engine in a well-ventilated area.
- If in an exposed area, vent the exhaust to the outside.
- Do not modify or tamper with the exhaust system.
- Do not idle the engine except as necessary.

For more information go to www.P65warnings.ca.gov/diesel

WARNING: This product, when used for welding or cutting, produces fumes or gases which contain chemicals known to the State of California to cause birth defects and, in some cases, cancer. (California Health & Safety Code § 25249.5 *et seq.*)



WARNING: Cancer and Reproductive Harm
www.P65warnings.ca.gov

ARC WELDING CAN BE HAZARDOUS. PROTECT YOURSELF AND OTHERS FROM POSSIBLE SERIOUS INJURY OR DEATH. KEEP CHILDREN AWAY. PACEMAKER WEARERS SHOULD CONSULT WITH THEIR DOCTOR BEFORE OPERATING.

Read and understand the following safety highlights. For additional safety information, it is strongly recommended that you purchase a copy of "Safety in Welding & Cutting - ANSI Standard Z49.1" from the American Welding Society, P.O. Box 351040, Miami, Florida 33135 or CSA Standard W117.2. A Free copy of "Arc Welding Safety" booklet E205 is available from the Lincoln Electric Company, 22801 St. Clair Avenue, Cleveland, Ohio 44117-1199.

BE SURE THAT ALL INSTALLATION, OPERATION, MAINTENANCE AND REPAIR PROCEDURES ARE PERFORMED ONLY BY QUALIFIED INDIVIDUALS.



FOR ENGINE POWERED EQUIPMENT.

- Turn the engine off before troubleshooting and maintenance work unless the maintenance work requires it to be running.
- Operate engines in open, well-ventilated areas or vent the engine exhaust fumes outdoors.
- Do not add the fuel near an open flame welding arc or when the engine is running. Stop the engine and allow it to cool before refueling to prevent spilled fuel from vaporizing on contact



with hot engine parts and igniting. Do not spill fuel when filling tank. If fuel is spilled, wipe it up and do not start engine until fumes have been eliminated.

- Keep all equipment safety guards, covers and devices in position and in good repair. Keep hands, hair, clothing and tools away from V-belts, gears, fans and all other moving parts when starting, operating or repairing equipment.
- In some cases it may be necessary to remove safety guards to perform required maintenance. Remove guards only when necessary and replace them when the maintenance requiring their removal is complete. Always use the greatest care when working near moving parts.
- Do not put your hands near the engine fan. Do not attempt to override the governor or idler by pushing on the throttle control rods while the engine is running.
- To prevent accidentally starting gasoline engines while turning the engine or welding generator during maintenance work, disconnect the spark plug wires, distributor cap or magneto wire as appropriate.
- To avoid scalding, do not remove the radiator pressure cap when the engine is hot.
- Using a generator indoors CAN KILL YOU IN MINUTES.
- Generator exhaust contains carbon monoxide. This is a poison you cannot see or smell.
- NEVER use inside a home or garage, EVEN IF doors and windows are open.
- Only use OUTSIDE and far away from windows, doors and vents.
- Avoid other generator hazards. READ MANUAL BEFORE USE.



ELECTRIC AND MAGNETIC FIELDS MAY BE DANGEROUS



- Electric current flowing through any conductor causes localized Electric and Magnetic Fields (EMF). Welding current creates EMF fields around welding cables and welding machines
- EMF fields may interfere with some pacemakers, and welders having a pacemaker should consult their physician before welding.
- Exposure to EMF fields in welding may have other health effects which are now not known.
- All welders should use the following procedures in order to minimize exposure to EMF fields from the welding circuit:
 - Route the electrode and work cables together - Secure them with tape when possible.
 - Never coil the electrode lead around your body.
 - Do not place your body between the electrode and work cables. If the electrode cable is on your right side, the work cable should also be on your right side.
 - Connect the work cable to the workpiece as close as possible to the area being welded.
 - Do not work next to welding power source.



ELECTRIC SHOCK CAN KILL.



- 3.a. The electrode and work (or ground) circuits are electrically “hot” when the welder is on. Do not touch these “hot” parts with your bare skin or wet clothing. Wear dry, hole-free gloves to insulate hands.
- 3.b. Insulate yourself from work and ground using dry insulation. Make certain the insulation is large enough to cover your full area of physical contact with work and ground.

In addition to the normal safety precautions, if welding must be performed under electrically hazardous conditions (in damp locations or while wearing wet clothing; on metal structures such as floors, gratings or scaffolds; when in cramped positions such as sitting, kneeling or lying, if there is a high risk of unavoidable or accidental contact with the workpiece or ground) use the following equipment:

- Semiautomatic DC Constant Voltage (Wire) Welder.
 - DC Manual (Stick) Welder.
 - AC Welder with Reduced Voltage Control.
- 3.c. In semiautomatic or automatic wire welding, the electrode, electrode reel, welding head, nozzle or semiautomatic welding gun are also electrically “hot”.
 - 3.d. Always be sure the work cable makes a good electrical connection with the metal being welded. The connection should be as close as possible to the area being welded.
 - 3.e. Ground the work or metal to be welded to a good electrical (earth) ground.
 - 3.f. Maintain the electrode holder, work clamp, welding cable and welding machine in good, safe operating condition. Replace damaged insulation.
 - 3.g. Never dip the electrode in water for cooling.
 - 3.h. Never simultaneously touch electrically “hot” parts of electrode holders connected to two welders because voltage between the two can be the total of the open circuit voltage of both welders.
 - 3.i. When working above floor level, use a safety belt to protect yourself from a fall should you get a shock.
 - 3.j. Also see Items 6.c. and 8.



ARC RAYS CAN BURN.



- 4.a. Use a shield with the proper filter and cover plates to protect your eyes from sparks and the rays of the arc when welding or observing open arc welding. Headshield and filter lens should conform to ANSI Z87.1 standards.
- 4.b. Use suitable clothing made from durable flame-resistant material to protect your skin and that of your helpers from the arc rays.
- 4.c. Protect other nearby personnel with suitable, non-flammable screening and/or warn them not to watch the arc nor expose themselves to the arc rays or to hot spatter or metal.



FUMES AND GASES CAN BE DANGEROUS.



- 5.a. Welding may produce fumes and gases hazardous to health. Avoid breathing these fumes and gases. When welding, keep your head out of the fume. Use enough ventilation and/or exhaust at the arc to keep fumes and gases away from the breathing zone. **When welding hardfacing (see instructions on container or SDS) or on lead or cadmium plated steel and other metals or coatings which produce highly toxic fumes, keep exposure as low as possible and within applicable OSHA PEL and ACGIH TLV limits using local exhaust or mechanical ventilation unless exposure assessments indicate otherwise. In confined spaces or in some circumstances, outdoors, a respirator may also be required. Additional precautions are also required when welding on galvanized steel.**
- 5.b. The operation of welding fume control equipment is affected by various factors including proper use and positioning of the equipment, maintenance of the equipment and the specific welding procedure and application involved. Worker exposure level should be checked upon installation and periodically thereafter to be certain it is within applicable OSHA PEL and ACGIH TLV limits.
- 5.c. Do not weld in locations near chlorinated hydrocarbon vapors coming from degreasing, cleaning or spraying operations. The heat and rays of the arc can react with solvent vapors to form phosgene, a highly toxic gas, and other irritating products.
- 5.d. Shielding gases used for arc welding can displace air and cause injury or death. Always use enough ventilation, especially in confined areas, to insure breathing air is safe.
- 5.e. Read and understand the manufacturer’s instructions for this equipment and the consumables to be used, including the Safety Data Sheet (SDS) and follow your employer’s safety practices. SDS forms are available from your welding distributor or from the manufacturer.
- 5.f. Also see item 1.b.



WELDING AND CUTTING SPARKS CAN CAUSE FIRE OR EXPLOSION.



- 6.a. Remove fire hazards from the welding area. If this is not possible, cover them to prevent the welding sparks from starting a fire. Remember that welding sparks and hot materials from welding can easily go through small cracks and openings to adjacent areas. Avoid welding near hydraulic lines. Have a fire extinguisher readily available.
- 6.b. Where compressed gases are to be used at the job site, special precautions should be used to prevent hazardous situations. Refer to "Safety in Welding and Cutting" (ANSI Standard Z49.1) and the operating information for the equipment being used.
- 6.c. When not welding, make certain no part of the electrode circuit is touching the work or ground. Accidental contact can cause overheating and create a fire hazard.
- 6.d. Do not heat, cut or weld tanks, drums or containers until the proper steps have been taken to insure that such procedures will not cause flammable or toxic vapors from substances inside. They can cause an explosion even though they have been "cleaned". For information, purchase "Recommended Safe Practices for the Preparation for Welding and Cutting of Containers and Piping That Have Held Hazardous Substances", AWS F4.1 from the American Welding Society (see address above).
- 6.e. Vent hollow castings or containers before heating, cutting or welding. They may explode.
- 6.f. Sparks and spatter are thrown from the welding arc. Wear oil free protective garments such as leather gloves, heavy shirt, cuffless trousers, high shoes and a cap over your hair. Wear ear plugs when welding out of position or in confined places. Always wear safety glasses with side shields when in a welding area.
- 6.g. Connect the work cable to the work as close to the welding area as practical. Work cables connected to the building framework or other locations away from the welding area increase the possibility of the welding current passing through lifting chains, crane cables or other alternate circuits. This can create fire hazards or overheat lifting chains or cables until they fail.
- 6.h. Also see item 1.c.
- 6.i. Read and follow NFPA 51B "Standard for Fire Prevention During Welding, Cutting and Other Hot Work", available from NFPA, 1 Batterymarch Park, PO box 9101, Quincy, MA 022690-9101.
- 6.j. Do not use a welding power source for pipe thawing.



CYLINDER MAY EXPLODE IF DAMAGED.



- 7.a. Use only compressed gas cylinders containing the correct shielding gas for the process used and properly operating regulators designed for the gas and pressure used. All hoses, fittings, etc. should be suitable for the application and maintained in good condition.
- 7.b. Always keep cylinders in an upright position securely chained to an undercarriage or fixed support.
- 7.c. Cylinders should be located:
 - Away from areas where they may be struck or subjected to physical damage.
 - A safe distance from arc welding or cutting operations and any other source of heat, sparks, or flame.
- 7.d. Never allow the electrode, electrode holder or any other electrically "hot" parts to touch a cylinder.
- 7.e. Keep your head and face away from the cylinder valve outlet when opening the cylinder valve.
- 7.f. Valve protection caps should always be in place and hand tight except when the cylinder is in use or connected for use.
- 7.g. Read and follow the instructions on compressed gas cylinders, associated equipment, and CGA publication P-1, "Precautions for Safe Handling of Compressed Gases in Cylinders," available from the Compressed Gas Association, 14501 George Carter Way Chantilly, VA 20151.



FOR ELECTRICALLY POWERED EQUIPMENT.



- 8.a. Turn off input power using the disconnect switch at the fuse box before working on the equipment.
- 8.b. Install equipment in accordance with the U.S. National Electrical Code, all local codes and the manufacturer's recommendations.
- 8.c. Ground the equipment in accordance with the U.S. National Electrical Code and the manufacturer's recommendations.

Refer to
<http://www.lincolnelectric.com/safety>
for additional safety information.

TABLE OF CONTENTS

Product Description	3
Installation	4
Technical Specifications.....	4
Premium Features.....	4
Select Suitable Location.....	5
Grinding	5
Stacking	5
Transport – Unloading	5
Tilting	5
Environmental Rating	5
Input Connections	6
Wire Loading And Threading.....	7
Operation	9
Operating Machine	10
Replacement Parts Lists.....	11
Maintenance	12
Routine And Periodic Maintenance	12
Troubleshooting	12
How To Use Troubleshooting Guide.....	12

PRODUCT DESCRIPTION

PRODUCT SUMMARY

The Weld-Pak® 90i FC is a constant voltage DC welding machine rated for 90 amps, 18.5 volts at a 30% duty cycle. The Weld-Pak® unit is intended for fabrication, maintenance, home, and autobody shops. The unit features a portable and rugged case. The user interface features two knobs, one for voltage and one for wire feed speed. The Weld-Pak® 90i FC is designed for the North American market and operates on 120V single phase 60 Hz power. An overview of the machines input and output capabilities are listed on the rating plate shown here.

The machine comes with the following accessories:

- WP150L gun
- Work cable with clamp
- Spare contact tips
- Procedure Chart and literature

90i FC		Code No.:		Serial NO.:	
		CSA C22.2 No. 60974-1-19 ANSI/NEMA/IEC 60974-1-2019			
		30A/15.5V to 120A/20V			
		X	30%	60%	100%
	$U_0 = 45V$	I_2	90A	64A	50A
		U_2	18.5V	17.2V	16.5V
 1~60Hz	$U_1 = 120V$	$I_{1max} = 21A$	$I_{1eff} = 11.5A$		
IP21S					

INSTALLATION

TECHNICAL SPECIFICATIONS - K5255-1 WELD-PAK 90i FC

OUTPUT CURRENT RANGE
30-120A
OPEN CIRCUIT VOLTAGE
46V (RMS)
INPUT CIRCUIT
120VAC
DUTY CYCLE
30%@90A

WIREFEED SPEED
0 - 200 IPM
SUITABLE WIRE DIAMETER
0.030", 0.035"
GROSS WEIGHT
15 LBS (7KGS)
IPS RATING
IP21S

PREMIUM FEATURES INCLUDE:

1. Inverter power source – more efficient to operate, provides smoother weld characteristics than traditional welders
2. Infinite welding voltage to allow fine tuning of weld characteristics
3. 30% Duty cycle at 90 Amps
4. Lightweight and portable – Ideal for maintenance and mobile welders

THERMAL PROTECTION

The machine has a maximum output duty cycle of 30%. If the duty cycle is exceeded, a thermal protector will shut off the output until the machine cools to a normal operating temperature. This is an automatic function of the machine and does not require user intervention.

REQUIRED ACCESSORIES

- Helmet
- Jacket
- Gloves

Read this entire installation section before you start installation.

Safety Precautions

Do not attempt to use this equipment until you have thoroughly read all installation, operating and maintenance information supplied with your equipment. They include important safety precautions and detailed operating and maintenance instructions.

WARNING

ELECTRIC SHOCK can kill.

- Only qualified personnel should perform this installation.
- Do not touch electrically live parts.
- Always connect the machine to an earthed mains supply.



SELECT SUITABLE LOCATION

Place the welder where clean cooling air can freely circulate in and out of the front & rear louver vents. Dirt, dust or any foreign material that can be drawn through vents into welder must be kept to a minimum. Failure to observe these precautions can result in excessive operating temperatures which can lead to plant failure.

GRINDING

Do not direct grinding particles towards the welder. An abundance of conductive material can cause plant failure.

STACKING

This machine cannot be stacked.

TRANSPORT - UNLOADING

Never underestimate the weight of equipment, never move or leave suspended in the air above people. The machine should be lifted and carried by the provided strap, or by cradling the machine. The machine should not be carried by the input, cord, output cables, or welding gun. Utilize proper lifting techniques when carrying or lifting the machine to prevent injury.

WARNING

Falling Equipment can cause injury. Never lift welder with gas bottle attached. Never lift above personnel.



TILTING

Machine must be placed on a secure level surface

ENVIRONMENTAL RATING

The welding power source carries the IP21S rating. It may be used in normal industrial and commercial environments. Avoid using in areas where water / rain is around.

Read and follow the 'Electric Shock Warnings' in the safety section if welding must be performed under electrically hazardous conditions such as welding in wet areas or water on the work piece.

WARNING

ELECTRIC SHOCK can kill.

- This welder must be grounded to earth



CAUTION

The high frequency generator being similar to a radio transmitter may cause interference to radio, TV and other electronic equipment.

- These problems may be the result of radiated interference. Proper grounding methods can reduce or eliminate this.



Radiated interference can develop in the following ways

1. Direct interference from welder power source
2. Direct interference from the welding leads
3. Direct interference radiated from feedback into power lines
4. Interference from re-radiation by un-grounded metallic objects

Keeping these contributing factors in mind, installing equipment as per following instructions should minimize problems

1. Keep the welder input power lines as short as possible and enclose as much of them as possible in metal conduit or equivalent shielding. There should be a good electrical contact between this conduit and ground (Earth)
2. Keep the work and electrode leads as short as possible. Tape the leads together where practical
3. Be sure the torch and earth leads rubber coverings are free from cuts and cracks that allow welding power leakage
4. Keep earth lead connection to work in good condition – Clean area on workbench where earth clamp is situated on a regular basis.

INPUT POWER CONNECTION

The machine has one input connection, the power input cable. The power input cable is located on the rear.

The Weld-Pak 90i FC is provided with a 120V cable, 6.0ft. (1.8m) in length, with a 15Amp 5-15P plug molded onto the cord.

The rated output of the Weld-Pak 90i FC is available when connected to a 20A branch circuit. When connected to a branch circuit with lower capacity, lower welding current and duty cycle must be used.

CODE REQUIREMENTS FOR ELECTRICAL INPUT CONNECTIONS

WARNING

This welding machine must be connected to a power source in accordance with applicable electrical codes.

The National Electrical Code provides standards for amperage handling capability of supply conductors based on duty cycle of the welding source.

If there is any question about the installation meeting applicable electrical code requirements, consult a qualified electrician.

WARNING

Do not connect the machine to an input power supply with a rated voltage that is greater than 125 volts.

Do not remove the power cord ground prong.

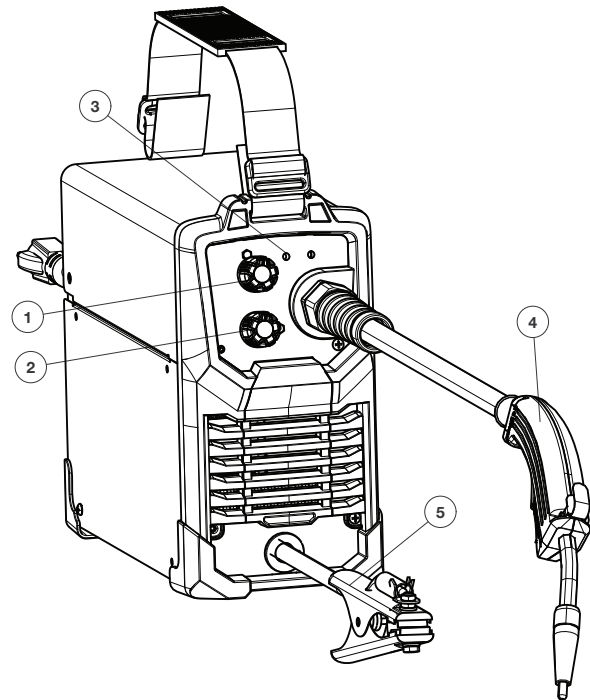
EXTENSION CORD USAGE

If an extension cord is required, use one that is rated for the application and is 3 conductor #14 AWG (2.1 mm²) or larger. The recommended maximum lengths are 25 ft (7.5 m) if #14 AWG (2.1 mm²) is used and 50 ft (15 m) if #12 AWG (3.3 mm²) is used.

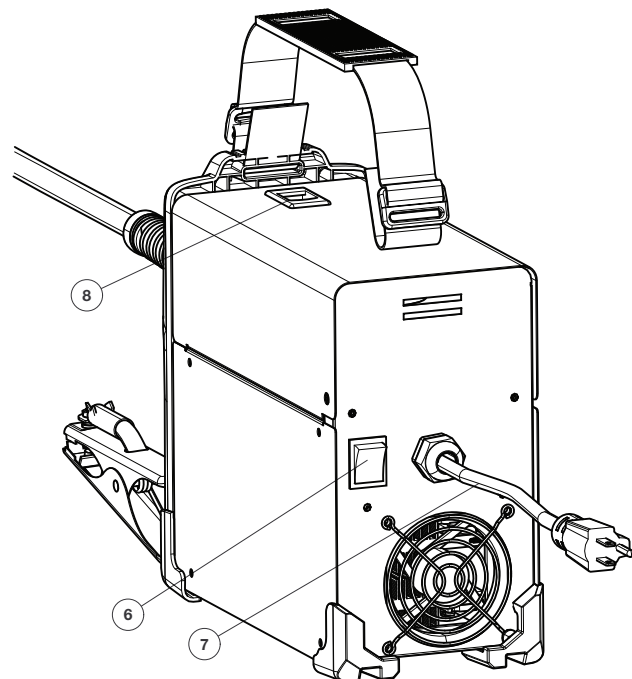
FLUX-CORED (INNERSHIELD) WELDING

The recommended electrode for the flux-cored, self-shielded process is 0.035" (0.9 mm) diameter Lincoln Innershield NR-211-MP on 1 lbs. (.5 kg) spools.

FIGURE 1



1. Adjustment for Voltage
2. Adjustment for Wire feed speed
3. Power and protection LEDs
4. Gasless Flux-Cored torch
5. Work Clamp



6. Power Switch
7. Power Input Cable
8. Spool cover latch

WIRE LOADING AND THREADING

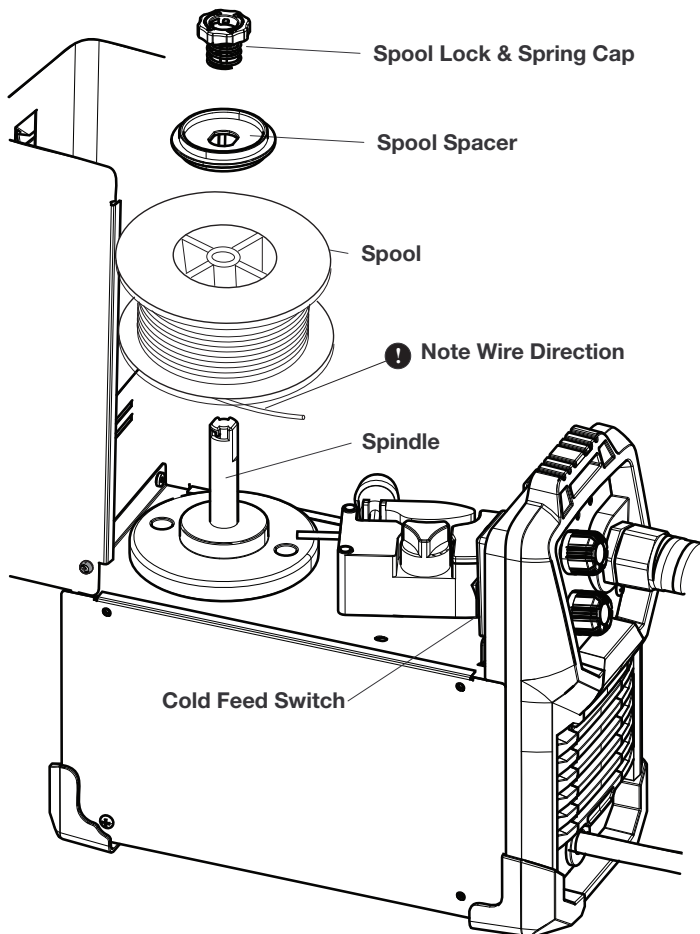
Refer to Figure 2.

Turn machine power switch to the OFF ("0") position before working inside the wire feed enclosure.

Make sure that the wire feed drive roll and the contact tip of the gun match the diameter and type of wire used.

1. Push the spool onto the spindle so that the wire feeds off the bottom of the spool, toward the drive roll.
2. Push the spool spacer onto the spindle, against the spool.
3. Slide the spring onto the spool, then press on the spool lock, turning it clockwise to lock the spool assembly onto the spindle.

FIGURE 2

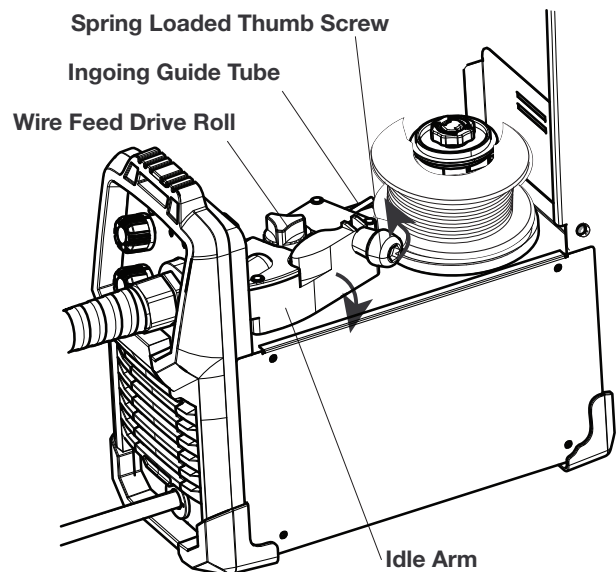


WIRE THREADING DETAILS

Refer to Figure 3.

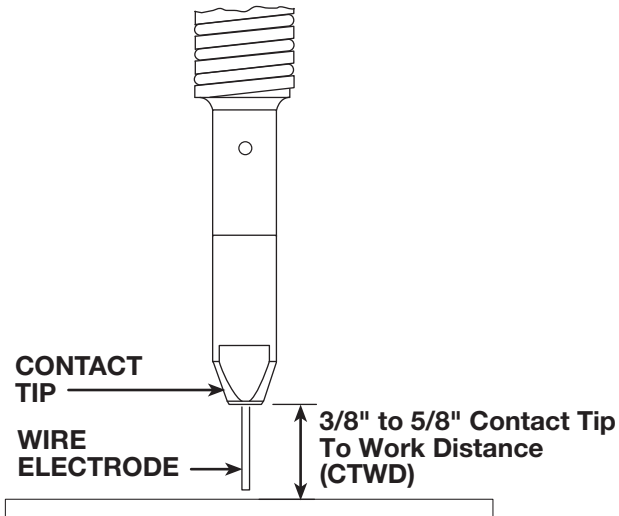
4. Release the spring loaded thumb screw and rotate the idle roll arm away from the wire feed drive roll. Ensure that the visible, stenciled size on the drive roll side facing you matches the wire size being used.
5. Carefully detach the end of the wire from the spool. Maintain tension on the wire to prevent the spool from unwinding and do not release the wire until after step 5.
6. Cut the bent portion of wire off and straighten the first 4" (100 mm).
7. Thread the wire through the incoming guide tube, over the drive roll, and into the gun liner.
8. Close the idle roll arm and turn down the thumbscrew until the idle roller presses down firmly on the wire. (Now you may release the welding wire). Make sure the wire is positioned in the groove of the lower drive roll.
9. The spring loaded thumbscrew on the idle roll arm adjusts the pressure on the wire. Adjust pressure by turning the thumbscrew to prevent spool overrun, but still allow smooth and easy wire feeding. Start with the pressure set to an intermediate value. Readjust, if necessary. If the drive roll slips while feeding wire, the pressure should be increased until the wire feeds properly.

FIGURE 3



WIRE STICKOUT





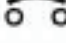




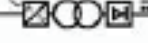

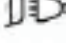


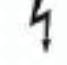

10. Remove the contact tip and nozzle from the gun.
11. Turn the machine ON ("I").
12. Straighten the gun cable assembly.
13. Depress the cold feed switch and feed welding wire through the gun and cable. (Point the gun away from yourself and others while feeding wire). Release the cold feed switch after wire appears at the end of the gun.
14. Turn off the machine.
15. Replace the nozzle and contact tip. Refer to Figure B-4. Cut the wire off so that 3/8" to 5/8" (10 - 15 mm) protrudes from the end of the tip.
16. Turn on the machine. The machine is now ready to weld.

FIGURE 4

OPERATION

Read and understand this entire section before operating your CrossLinc Remote.

GRAPHIC SYMBOLS USED IN THIS MANUAL OR BY THIS MACHINE

	INPUT POWER		
	ON	U_0	OPEN CIRCUIT VOLTAGE
	OFF	U_1	INPUT VOLTAGE
	HIGH TEMPERATURE	U_2	OUTPUT VOLTAGE
	CIRCUIT BREAKER	I_1	INPUT CURRENT
	WIRE FEEDER	I_2	OUTPUT CURRENT
	POSITIVE OUTPUT		PROTECTIVE GROUND
	NEGATIVE OUTPUT		
	INVERTER		WARNING or CAUTION
	INPUT POWER		Explosion
	DIRECT CURRENT		Dangerous Voltage
			Shock Hazard

Safety Precautions

Do not attempt to use this equipment until you have thoroughly read all operating and maintenance manuals supplied with your equipment and any related welding machine it will be used with. They include important safety precautions, operating and maintenance instructions and parts lists.

WARNING

ELECTRIC SHOCK can kill.

- Do not touch electrically live parts such as output terminals or internal wiring.
- Insulate yourself from the work and ground.
- Always wear dry insulating gloves.



WELDING SPARKS can cause fire or explosion.

- Keep flammable material away.
- Do not weld upon containers which have held combustibles.



ARC RAYS can burn.

- Wear eye, ear and body protection.



FUMES AND GASES can be dangerous.

Although the removal of the particulate matter from welding smoke may reduce the ventilation requirement, concentrations of the clear exhausted fumes and gases may still be hazardous to health. Avoid breathing concentrations of these fumes and gases. Use adequate ventilation when welding. See ANSI Z49.1, "Safety in Welding and Cutting", published by the American Welding Society.

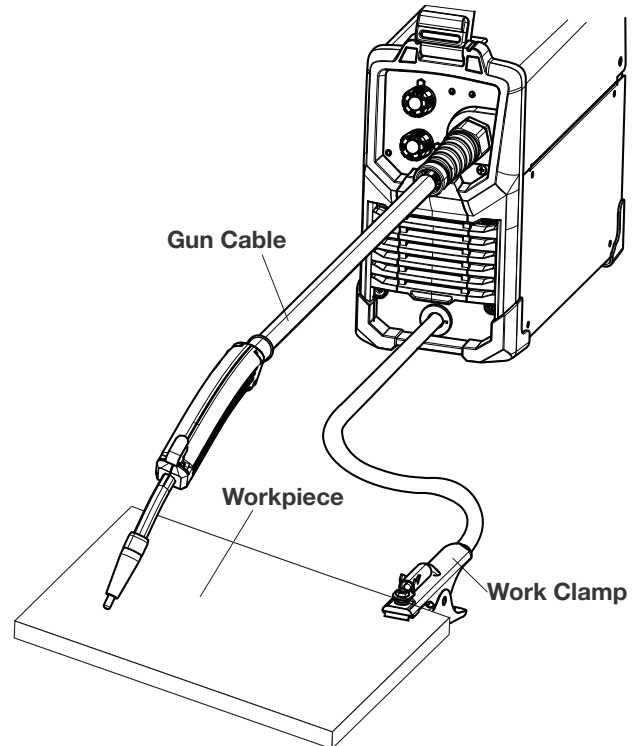


OPERATING MACHINE

Once you have set machine up as per instructions, refer to Table B.1 and the Procedure Decal located on the inside of the wire drive compartment door of your machine for setup information, consumables, and quick tips for welding.

1. Select welding voltage (power), based on the material thickness of the work piece, required on front panel
2. Select wire feed speed required on 'wire speed' knob
3. Ensure you are wearing the correct safety clothes & equipment for welding (I.E Welding mask, gloves, apron etc)

FIGURE 5



4. Connect the work clamp to the metal to be welded. The work clamp must make good electrical contact to the work piece. The work piece must also be grounded as stated in Arc Welding Safety Precautions in the beginning of this manual.
5. Based on the weld joint type and orientation of the weld joint, position the gun into the joint at the correct angle.
6. To begin welding, raise your hand shield or lower your helmet to protect your eyes and pull the trigger.
7. While welding, travel at a constant speed and maintain an electrode stickout of 3/8".
8. To stop welding, release the gun trigger.
9. When no more welding is to be done, turn off the machine.

TABLE B.1

FCAW -Gasless (Flux Cored)	
Welding Wire	.030 Lincoln NR-211-MP (Innershield Cored Wire) .035 Lincoln NR-211-MP (Innershield Cored Wire)
Contact Tip	.030 (0.8mm) - Lincoln Part No. KH711 .035 (0.9mm) - Lincoln Part No. KH712
Drive Roll	0.030/0.035 (0.8mm/0.9mm) Knurled groove - Lincoln Part No. KP4364-035
Loading The Wire	Remember: Remove the contact tip prior to loading wire Keep tension on the wire to prevent unspooling. 1. Cutoff the bent portion of the wire and straighten the first 4" for feeding into rolls and gun. 2. Release spring loaded pressure arm and rotate the Idle Roll Arm away from Drive Roll. 3. Thread wire through the guide tube, over drive roll and into gun liner. Close Idle Roll arm.
Wire Feed Tension	The suggested Wire Feed Speed settings in the table below are based on a midrange wire tension setting. The tension may be changed if required to improved wire feeding; however, the WFS setting may have to be adjusted from the values in the table below.
Suggested Settings For Welding	NO GAS WITH NR-211 WIRE
	20ga 0.9mm
	18ga 1.2mm
	16ga 1.6mm
0.030 NR-211	Voltage
	WFS
0.035 NR-211	Voltage
	WFS

Helpful Hints

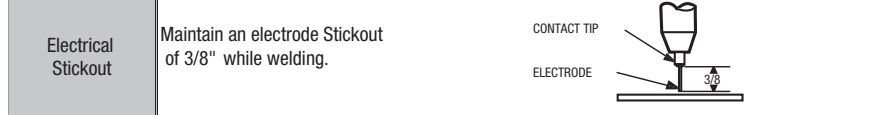
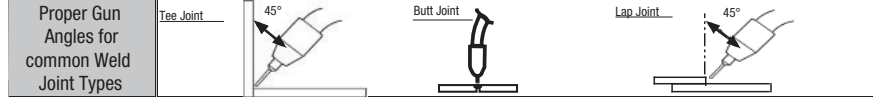
Weld at a Steady Pace

Do NOT weave the arc, neither forward, backward, or sideways

Remove Slag with the Chipping Hammer to expose weld

For Horizontal Weld Joints, remember: "Drag if there's Slag"

Refer to Manual for Troubleshooting Poor Weld Quality



REPLACE PARTS LIST

Contact Tip (.030")	KH711 (.030" / 0.8MM)
Contact Tip (.035")	KH712 (.035" / 0.9MM)
Drive Roll	KP4364-035
Nozzle	KH726
FCAW Wire	LINCOLN .030 NR-211-MP
FCAW Wire	LINCOLN .035 NR-211-MP

WARNING

Use of this unit on thicker materials than recommended may result in welds of poor quality. The welds may appear to be fine, but may lack the fusion or bonding necessary to give a strong weld. This is called "Cold Casting" or "cold lapping" and is some what similar to a cold solder joint. Weld failure may result.

MAINTENANCE

WARNING

ELECTRIC SHOCK can kill.

- Turn the input power OFF at the welding power source before installation or changing drive rolls and/or guides.
- Do not touch electrically live parts.
- When inching with the gun trigger, electrode and drive mechanism are "hot" to work and ground and could remain energized several seconds after the gun trigger is released.
- Do not operate with covers, panels or guards removed or open.
- Only qualified personnel should perform maintenance work.



ITEMS REQUIRING NO MAINTENANCE

- Drive Motor and Gearbox – Lifetime lubrication
- Wire Reel Spindle – Do NOT lubricate shaft

ROUTINE AND PERIODIC MAINTENANCE

- **BEFORE EACH USE** - Check over machine and accessories for any obvious condition that may prevent safe performance or operation. Repair or replace items as necessary to correct any abnormal condition.

AFTER 5 MINUTES OF WELDING OR WHEN SPATTER ACCUMULATES ON THE CONTACT TIP:

- **CLEANING TIP AND NOZZLE** - With the power switch in the off position, keep the contact tip and nozzle clean to avoid arc bridging between them. Bridging can result in a shorted nozzle, poor welds and an overheated gun. Hint: Anti-stick spray or gel, available from a welding supplier, may reduce buildup and aid in spatter removal.

TROUBLESHOOTING

HOW TO USE TROUBLESHOOTING GUIDE

WARNING

Service and Repair should only be performed by Lincoln Electric Factory Trained Personnel. Unauthorized repairs performed on this equipment may result in danger to the technician and machine operator and will invalidate your factory warranty. For your safety and to avoid Electrical Shock, please observe all safety notes and precautions detailed throughout this manual.

This Troubleshooting Guide is provided to help you locate and repair possible machine malfunctions. Simply follow the three-step procedure listed below.

Step 1. LOCATE PROBLEM (SYMPTOM).

Look under the column labeled "PROBLEM (SYMPTOMS)." This column describes possible symptoms that the machine may exhibit. Find the listing that best describes the symptom that the machine is exhibiting.

Step 2. POSSIBLE CAUSE.

The second column labeled "POSSIBLE CAUSE" lists the obvious external possibilities that may contribute to the machine symptom.

Step 3. RECOMMENDED COURSE OF ACTION

This column provides a course of action for the Possible Cause, generally it states to contact you local Lincoln Authorized Field Service Facility.

If you do not understand or are unable to perform the Recommended Course of Action safely, contact your local Lincoln Authorized Field Service Facility.

WARNING

ELECTRIC SHOCK can kill.

- Turn off machine at the disconnect switch on the rear of the machine and remove main power supply connections before doing any troubleshooting.



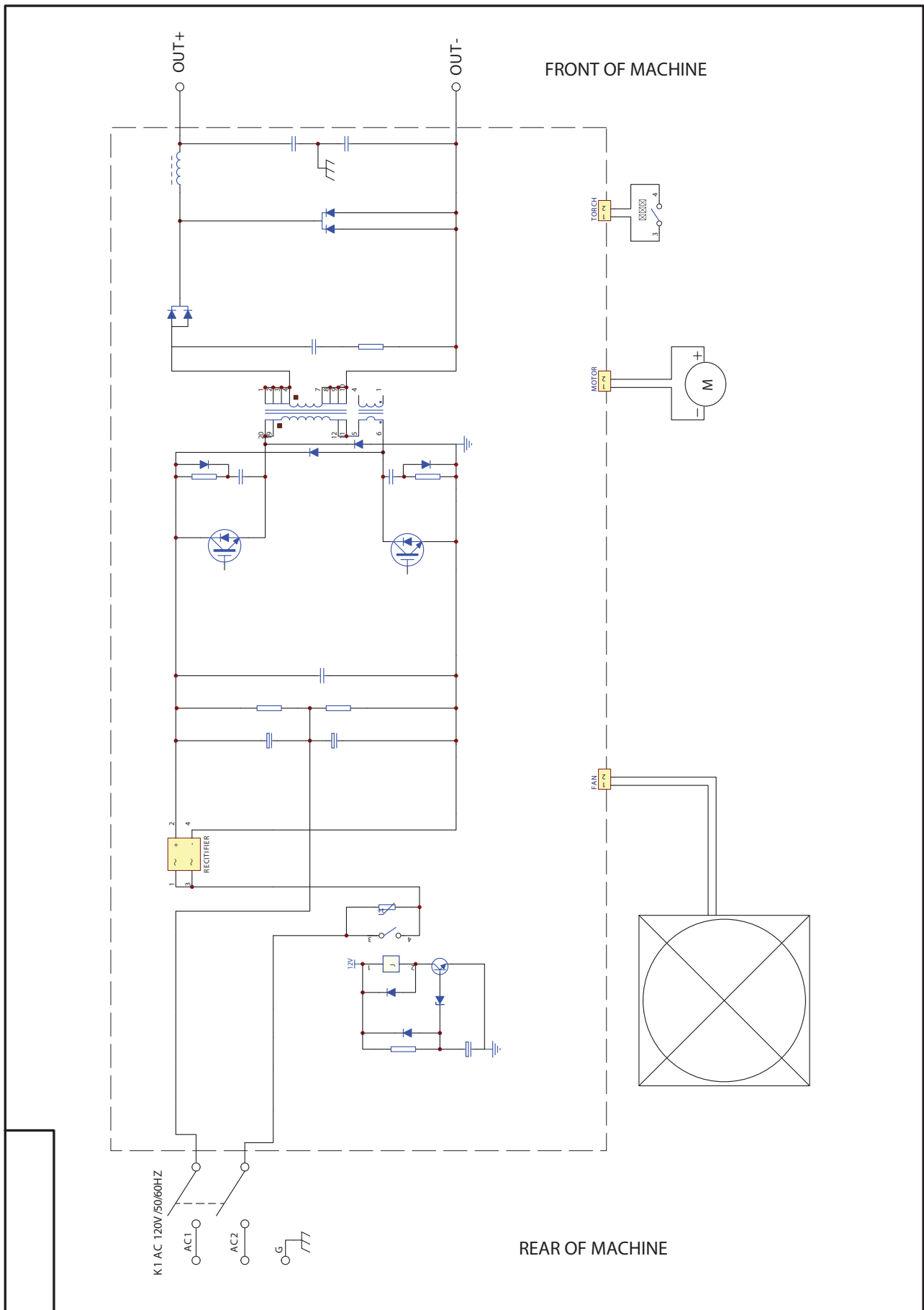
Observe all Safety Guidelines detailed throughout this manual

PROBLEM (SYMPTOMS)	POSSIBLE AREAS OF MISADJUSTMENT(S)	RECOMMENDED COURSE OF ACTION
Bead is too thick (intermittently).	Travel speed is slow and/or inconsistent.	Increase and maintain a constant travel speed.
	Output heat range is too high.	Turn the voltage down.
Bead does not penetrate base metal.	Travel speed is inconsistent.	Decrease and maintain a constant travel speed.
	Output heat range is too low.	Turn the voltage up.
Wire sputters and sticks to workpiece.	The wire is damp.	Change to dry wire. Be sure wire is stored in a dry location
	Wire feed speed (WFS) is too fast.	Reduce WFS.
Edge of weld has ragged depressions.	Travel speed is too fast.	Reduce travel speed.
	WFS is too fast.	Reduce WFS.
	Output heat range is too high.	Set the Low – High Heat Range switch to Low or the Fine Heat Adjustment to (1).



If for any reason you do not understand the test procedures or are unable to perform the tests/repairs safely, contact your Lincoln Authorized Service Facility for technical troubleshooting assistance before you proceed.

WWW.LINCOLNELECTRIC.COM/LOCATOR



			
WARNING	<ul style="list-style-type: none"> Do not touch electrically live parts or electrode with skin or wet clothing. Insulate yourself from work and ground. 	<ul style="list-style-type: none"> Keep flammable materials away. 	<ul style="list-style-type: none"> Wear eye, ear and body protection.
Spanish AVISO DE PRECAUCION	<ul style="list-style-type: none"> No toque las partes o los electrodos bajo carga con la piel o ropa mojada. Aíslese del trabajo y de la tierra. 	<ul style="list-style-type: none"> Mantenga el material combustible fuera del área de trabajo. 	<ul style="list-style-type: none"> Protéjase los ojos, los oídos y el cuerpo.
French ATTENTION	<ul style="list-style-type: none"> Ne laissez ni la peau ni des vêtements mouillés entrer en contact avec des pièces sous tension. Isolez-vous du travail et de la terre. 	<ul style="list-style-type: none"> Gardez à l'écart de tout matériel inflammable. 	<ul style="list-style-type: none"> Protégez vos yeux, vos oreilles et votre corps.
German WARNUNG	<ul style="list-style-type: none"> Berühren Sie keine stromführenden Teile oder Elektroden mit Ihrem Körper oder feuchter Kleidung! Isolieren Sie sich von den Elektroden und dem Erdboden! 	<ul style="list-style-type: none"> Entfernen Sie brennbares Material! 	<ul style="list-style-type: none"> Tragen Sie Augen-, Ohren- und Körperschutz!
Portuguese ATENÇÃO	<ul style="list-style-type: none"> Não toque partes elétricas e electrodos com a pele ou roupa molhada. Isole-se da peça e terra. 	<ul style="list-style-type: none"> Mantenha inflamáveis bem guardados. 	<ul style="list-style-type: none"> Use proteção para a vista, ouvido e corpo.
Japanese 注意事項	<ul style="list-style-type: none"> 通電中の電気部品、又は溶材にヒブやぬれた布で触れないこと。 施工物やアースから身体が絶縁されている様にして下さい。 	<ul style="list-style-type: none"> 燃えやすいものの側での溶接作業は絶対にしてはなりません。 	<ul style="list-style-type: none"> 目、耳及び身体に保護具をして下さい。
Chinese 警告	<ul style="list-style-type: none"> 皮肤或湿衣物切勿接触带电部件及焊条。 使你自已与地面和工件绝缘。 	<ul style="list-style-type: none"> 把一切易燃物品移离工作场所。 	<ul style="list-style-type: none"> 佩戴眼、耳及身体劳动保护用具。
Korean 위험	<ul style="list-style-type: none"> 전도체나 용접봉을 젖은 헝겍 또는 피부로 절대 접촉치 마십시오. 모재와 접지를 접촉치 마십시오. 	<ul style="list-style-type: none"> 인화성 물질을 접근시키지 마십시오. 	<ul style="list-style-type: none"> 눈, 귀와 몸에 보호장구를 착용하십시오.
Arabic تحذير	<ul style="list-style-type: none"> لا تلمس الاجزاء التي يسري فيها التيار الكهربائي أو الألكترود بجسدك أو بالملابس المبللة بالماء. ضع عازلا على جسمك خلال العمل. 	<ul style="list-style-type: none"> ضع المواد القابلة للاشتعال في مكان بعيد. 	<ul style="list-style-type: none"> ضع أدوات وملابس واقية على عينيك وأذنيك وجسمك.

READ AND UNDERSTAND THE MANUFACTURER'S INSTRUCTION FOR THIS EQUIPMENT AND THE CONSUMABLES TO BE USED AND FOLLOW YOUR EMPLOYER'S SAFETY PRACTICES.

SE RECOMIENDA LEER Y ENTENDER LAS INSTRUCCIONES DEL FABRICANTE PARA EL USO DE ESTE EQUIPO Y LOS CONSUMIBLES QUE VA A UTILIZAR, SIGA LAS MEDIDAS DE SEGURIDAD DE SU SUPERVISOR.

LISEZ ET COMPRENEZ LES INSTRUCTIONS DU FABRICANT EN CE QUI REGARDE CET EQUIPMENT ET LES PRODUITS A ETRE EMPLOYES ET SUIVEZ LES PROCEDURES DE SECURITE DE VOTRE EMPLOYEUR.

LESEN SIE UND BEFOLGEN SIE DIE BETRIEBSANLEITUNG DER ANLAGE UND DEN ELEKTRODENEINSATZ DES HERSTELLERS. DIE UNFALLVERHÜTUNGSVORSCHRIFTEN DES ARBEITGEBERS SIND EBENFALLS ZU BEACHTEN.

			
<ul style="list-style-type: none"> ● Keep your head out of fumes. ● Use ventilation or exhaust to remove fumes from breathing zone. 	<ul style="list-style-type: none"> ● Turn power off before servicing. 	<ul style="list-style-type: none"> ● Do not operate with panel open or guards off. 	WARNING
<ul style="list-style-type: none"> ● Los humos fuera de la zona de respiración. ● Mantenga la cabeza fuera de los humos. Utilice ventilación o aspiración para gases. 	<ul style="list-style-type: none"> ● Desconectar el cable de alimentación de poder de la máquina antes de iniciar cualquier servicio. 	<ul style="list-style-type: none"> ● No operar con panel abierto o guardas quitadas. 	Spanish AVISO DE PRECAUCION
<ul style="list-style-type: none"> ● Gardez la tête à l'écart des fumées. ● Utilisez un ventilateur ou un aspirateur pour ôter les fumées des zones de travail. 	<ul style="list-style-type: none"> ● Débranchez le courant avant l'entretien. 	<ul style="list-style-type: none"> ● N'opérez pas avec les panneaux ouverts ou avec les dispositifs de protection enlevés. 	French ATTENTION
<ul style="list-style-type: none"> ● Vermeiden Sie das Einatmen von Schweißrauch! ● Sorgen Sie für gute Be- und Entlüftung des Arbeitsplatzes! 	<ul style="list-style-type: none"> ● Strom vor Wartungsarbeiten abschalten! (Netzstrom völlig öffnen; Maschine anhalten!) 	<ul style="list-style-type: none"> ● Anlage nie ohne Schutzgehäuse oder Innenschutzverkleidung in Betrieb setzen! 	German WARNUNG
<ul style="list-style-type: none"> ● Mantenha seu rosto da fumaça. ● Use ventilação e exaustão para remover fumo da zona respiratória. 	<ul style="list-style-type: none"> ● Não opere com as tampas removidas. ● Desligue a corrente antes de fazer serviço. ● Não toque as partes elétricas nuas. 	<ul style="list-style-type: none"> ● Mantenha-se afastado das partes moventes. ● Não opere com os painéis abertos ou guardas removidas. 	Portuguese ATENÇÃO
<ul style="list-style-type: none"> ● ヒュームから頭を離すようにして下さい。 ● 換気や排煙に十分留意して下さい。 	<ul style="list-style-type: none"> ● メンテナンス・サービスに取りかかる際には、まず電源スイッチを必ず切して下さい。 	<ul style="list-style-type: none"> ● パネルやカバーを取り外したままで機械操作をしないで下さい。 	Japanese 注意事項
<ul style="list-style-type: none"> ● 頭部遠離煙霧。 ● 在呼吸區使用通風或排風器除煙。 	<ul style="list-style-type: none"> ● 維修前切斷電源。 	<ul style="list-style-type: none"> ● 儀表板打開或沒有安全罩時不準作業。 	Chinese 警告
<ul style="list-style-type: none"> ● 얼굴로부터 용접가스를 멀리하십시오. ● 호흡지역으로부터 용접가스를 제거하기 위해 가스제거기나 통풍기를 사용하십시오. 	<ul style="list-style-type: none"> ● 보수전에 전원을 차단하십시오. 	<ul style="list-style-type: none"> ● 판넬이 열린 상태로 작동치 마십시오. 	Korean 위험
<ul style="list-style-type: none"> ● ابعد رأسك بعيداً عن الدخان. ● استعمل التهوية أو جهاز ضغط الدخان للخارج لكي تبعد الدخان عن المنطقة التي تتنفس فيها. 	<ul style="list-style-type: none"> ● أقطع التيار الكهربائي قبل القيام بأية صيانة. 	<ul style="list-style-type: none"> ● لا تشغيل هذا الجهاز اذا كانت الاغطية الحديدية الواقية ليست عليه. 	Arabic تحذير

LEIA E COMPREENDA AS INSTRUÇÕES DO FABRICANTE PARA ESTE EQUIPAMENTO E AS PARTES DE USO, E SIGA AS PRÁTICAS DE SEGURANÇA DO EMPREGADOR.

使う機械や溶材のメーカーの指示書をよく読み、まず理解して下さい。そして貴社の安全規定に従って下さい。

請詳細閱讀並理解製造廠提供的說明以及應該使用的銀焊材料，並請遵守貴方的有關勞動保護規定。

이 제품에 동봉된 작업지침서를 숙지하시고 귀사의 작업자 안전수칙을 준수하시기 바랍니다.

اقرأ بتمعن وافهم تعليمات المصنع المنتج لهذه المعدات والمواد قبل استعمالها واتبع تعليمات الوقاية لصاحب العمل.

CUSTOMER ASSISTANCE POLICY

The business of Lincoln Electric is manufacturing and selling high quality welding equipment, automated welding systems, consumables, and cutting equipment. Our challenge is to meet the needs of our customers, who are experts in their fields, and to exceed their expectations. On occasion, purchasers may ask Lincoln Electric for information or technical information about their use of our products. Our employees respond to inquiries to the best of their ability based on information and specifications provided to them by the customers and the knowledge they may have concerning the application. Our employees, however, are not in a position to verify the information provided or to evaluate the engineering requirements for the particular weldment, or to provide engineering advice in relation to a specific situation or application. Accordingly, Lincoln Electric does not warrant or guarantee or assume any liability with respect to such information or communications. Moreover, the provision of such information or technical information does not create, expand, or alter any warranty on our products. Any express or implied warranty that might arise from the information or technical information, including any implied warranty of merchantability or any warranty of fitness for any customers' particular purpose or any other equivalent or similar warranty is specifically disclaimed.

Lincoln Electric is a responsive manufacturer, but the definition of specifications, and the selection and use of specific products sold by Lincoln Electric is solely within the control of, and remains the sole responsibility of the customer. Many variables beyond the control of Lincoln Electric affect the results obtained in applying these types of fabrication methods and service requirements.

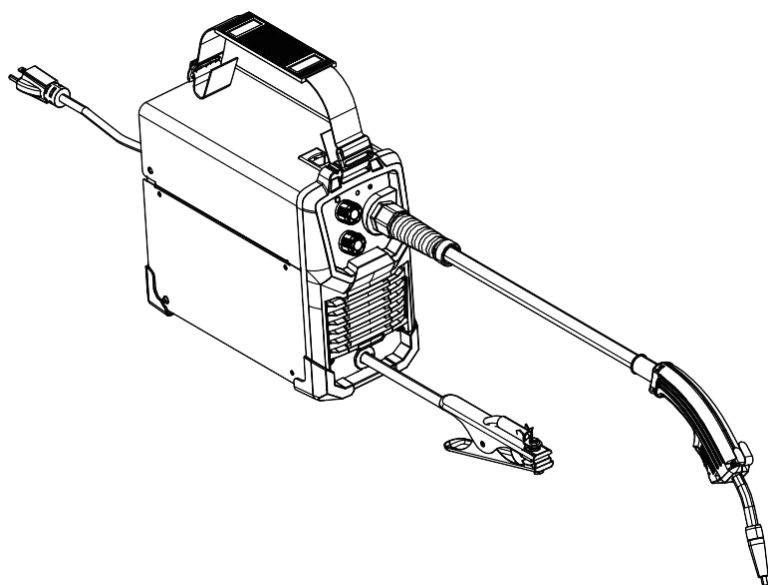
WELD FUME CONTROL EQUIPMENT

The operation of welding fume control equipment is affected by various factors including proper use and positioning of the equipment, maintenance of the equipment and the specific welding procedure and application involved. Worker exposure level should be checked upon installation and periodically thereafter to be certain it is within applicable OSHA PEL and ACGIH TLV limits.



THE LINCOLN ELECTRIC COMPANY

22801 St. Clair Avenue • Cleveland, OH • 44117-1199 • U.S.A.
Phone: +1.216.481.8100 • www.lincolnelectric.com

Manuel de l'opérateur**WELD-PAK 90i FC**

À utiliser avec les numéros de produit suivants :

13397



Enregistrez votre appareil :
www.lincolnelectric.com/register

Localisateur de service autorisé et de distributeur :
www.lincolnelectric.com/locator

Sauvegarder pour consultation ultérieure

Date d'achat

Code : (p. ex. : 10859)

Série : (p. ex. : U1060512345)

Besoin d'aide? Composez le 1 888 935-3877
pour parler à un représentant du service

Heures d'ouverture :
8 h à 18 h (HE), du lundi au vendredi.

Après les heures d'ouverture?
Utilisez la section « Demandez aux experts » sur lincolnelectric.com
Un représentant du service Lincoln communiquera avec vous au plus tard le jour ouvrable suivant.

Pour le service à l'extérieur des États-Unis :
Courriel : globalservice@lincolnelectric.com

MERCI D'AVOIR CHOISI UN PRODUIT DE QUALITÉ DE LINCOLN ELECTRIC.

VEUILLEZ EXAMINER IMMÉDIATEMENT L'EMBALLAGE ET L'ÉQUIPEMENT À LA RECHERCHE DE DOMMAGES

Lorsque cet équipement est expédié, la propriété passe à l'acheteur dès réception par le transporteur. Par conséquent, les réclamations pour matériel endommagé pendant l'envoi doivent être faites par l'acheteur contre l'entreprise de transport au moment de la réception de l'envoi.

LA SÉCURITÉ DÉPEND DE VOUS

Le matériel de soudage et de coupe à l'arc de Lincoln est conçu et construit en tenant compte de la sécurité. Toutefois, votre sécurité globale peut être augmentée par une installation appropriée... et un fonctionnement réfléchi de votre part. **NE PAS INSTALLER, UTILISER OU RÉPARER CET ÉQUIPEMENT SANS LIRE CE MANUEL ET LES PRÉCAUTIONS DE SÉCURITÉ FIGURANT DANS LE PRÉSENT DOCUMENT.** Et surtout, réfléchissez avant d'agir et faites attention.

AVERTISSEMENT

Cet énoncé apparaît là où l'information doit être suivie attentivement afin d'éviter des blessures graves ou une perte de vie.

MISE EN GARDE

Cet énoncé apparaît là où l'information doit être suivie afin d'éviter les blessures corporelles mineures ou des dommages à cet équipement.



GARDEZ LA TÊTE ÉLOIGNÉE DES VAPEURS.

ÉVITEZ de trop vous approcher de l'arc. Portez des verres correcteurs si nécessaire pour pouvoir travailler à une distance raisonnable de l'arc.

LISEZ et respectez la fiche signalétique et l'étiquette d'avertissement qui apparaît sur tous les contenants de matériaux de soudage.

UTILISEZ SUFFISAMMENT D'AÉRATION ou d'échappement près de l'arc, ou les deux, pour garder les émanations et les gaz à l'écart de votre zone de respiration et de la zone générale.

DANS UNE GRANDE SALLE OU À L'EXTÉRIEUR, une ventilation naturelle peut être adéquate si vous gardez la tête à bonne distance des émanations (Voir ci-dessous).

UTILISEZ UNE AÉRATION NATURELLE ou des ventilateurs pour éloigner les émanations de votre visage.

Si vous présentez des symptômes inhabituels, consultez votre superviseur.

Il se pourrait qu'il soit nécessaire de vérifier la qualité de l'atmosphère de soudage et l'état du système de ventilation.



PORTEZ DES DISPOSITIFS DE PROTECTION ADÉQUATS POUR LES YEUX, LES OREILLES ET LE CORPS.

PROTÉGEZ vos yeux et votre visage avec un masque pour soudeurs correctement ajusté et avec une plaque filtrante appropriée (voir ANSI Z49.1).

PROTÉGEZ votre corps contre les projections de soudure et les arcs électriques avec des vêtements de protection, y compris des vêtements de laine, un tablier ignifuge, des gants, des leggings de cuir et des bottes hautes.

PROTÉGEZ les autres contre les particules de soudure, les éclairs et les reflets avec des écrans protecteurs ou des barrières.

DANS CERTAINS ESPACES, une protection contre le bruit peut être appropriée.

ASSUREZ-VOUS que l'équipement de protection est en bon état.

Portez également des lunettes de protection EN

TOUT TEMPS dans la zone de travail.



SITUATIONS PARTICULIÈRES

NE PAS SOUDER OU COUPER les contenants ou les matériaux qui avaient auparavant été en contact avec des substances dangereuses, à moins qu'ils ne soient adéquatement nettoyés. Cela est extrêmement dangereux.

NE PAS SOUDER OU COUPER les pièces peintes ou plaquées à moins que des précautions particulières ne soient prises quant à la ventilation. Elles peuvent libérer des émanations ou des gaz très toxiques.

Mesures de précaution supplémentaires

PROTÉGEZ les bouteilles de gaz comprimé contre la chaleur excessive, les chocs mécaniques et les arcs; fixez les bouteilles pour qu'elles ne tombent pas.

ASSUREZ-VOUS que les bouteilles ne sont jamais mises à la terre et qu'elles ne font pas partie d'un circuit électrique.

RETIREZ tous les risques d'incendie potentiels de la zone de soudure.

AYEZ TOUJOURS À VOTRE DISPOSITION UN ÉQUIPEMENT DE LUTTE CONTRE LES INCENDIES PARÉ À TOUTE UTILISATION IMMÉDIATE; SACHEZ COMMENT L'UTILISER.



SECTION A : AVERTISSEMENTS



AVERTISSEMENTS DE LA PROPOSITION 65 DE LA CALIFORNIE



AVERTISSEMENT: Respirer l'échappement de moteur diesel vous expose à des produits chimiques reconnus par l'État de la Californie pour causer le cancer et des anomalies congénitales ou d'autres dommages à la reproduction.

- Démarrez et faites toujours fonctionner le moteur dans un endroit bien aéré.
- Si vous êtes dans une zone exposée, évacuez l'échappement à l'extérieur.
- Ne modifiez et n'altérez pas le système d'échappement.
- Ne faites pas tourner le moteur au ralenti, sauf si nécessaire.

Pour en savoir plus, consultez le site
www.P65warnings.ca.gov/diesel

AVERTISSEMENT : Ce produit, lorsqu'il est utilisé pour le soudage ou le découpage, produit des émanations ou des gaz contenant des produits chimiques reconnus par l'État de la Californie pour causer des anomalies congénitales et, dans certains cas, un cancer. (Code de santé et de sécurité de la Californie section 25249.5 *et suivantes*)



AVERTISSEMENT : Cancer and Reproductive Harm
www.P65warnings.ca.gov

LE SOUDAGE À L'ARC PEUT ÊTRE DANGEREUX. PROTÉGEZ-VOUS ET D'AUTRES PERSONNES CONTRE DES BLESSURES GRAVES OU MORTELLES. GARDEZ LES ENFANTS À L'ÉCART. LES PORTEURS DE STIMULATEURS CARDIAQUES DOIVENT CONSULTER LEUR MÉDECIN AVANT D'UTILISER LE PRODUIT.

Lisez et comprenez les faits saillants de sécurité suivants. Pour des renseignements supplémentaires sur la sécurité, il est fortement recommandé d'acheter une copie du document « Sécurité de la soudure et de la coupe - Norme ANSI Z49.1 » de l'American Welding Society, P.O. Box 351040, Miami, Floride 33135 ou de la norme CSA W117.2. Une copie gratuite du livret « Sécurité pour le soudage à l'arc » E205 est disponible auprès de Lincoln Electric Company, 22801 St. Clair Avenue, Cleveland, Ohio 44117-1199.

ASSUREZ-VOUS QUE TOUTES LES PROCÉDURES D'INSTALLATION, D'UTILISATION, D'ENTRETIEN ET DE RÉPARATION SONT EFFECTUÉES UNIQUEMENT PAR DES PERSONNES QUALIFIÉES.



POUR ÉQUIPEMENT MOTORISÉ

- Éteignez le moteur avant de procéder au dépannage et à l'entretien, à moins que le travail d'entretien n'exige qu'il soit en marche.
- Faites tourner le moteur dans des aires ouvertes et bien ventilées, ou acheminez à l'extérieur du local les vapeurs d'échappement du moteur.
- Ne faites pas d'appoint de carburant à proximité d'un arc de soudage ou d'une flamme nue, ou lorsque le moteur est en marche. Coupez le moteur et laissez-le refroidir avant de le ravitailler en carburant afin d'empêcher tout carburant renversé de s'évaporer au contact des pièces chaudes du moteur et de s'enflammer. Évitez de renverser du carburant lors du remplissage du réservoir. Si du carburant a été renversé, essuyez-le, et ne démarrez pas le moteur tant que les vapeurs de carburant n'ont pas été éliminées.
- Gardez toutes les protections ainsi que tous les couvercles et dispositifs de sécurité en position et en bon état. Gardez les mains, les cheveux, les vêtements et les outils loin des courroies en V, des engrenages, des ventilateurs et de toutes les autres pièces mobiles lors de l'amorçage, de l'utilisation ou de la réparation de l'équipement.
- Dans certains cas, il peut être nécessaire de retirer les dispositifs de sécurité pour effectuer l'entretien requis. Retirez les dispositifs de protection uniquement si nécessaire et replacez-les lorsque l'entretien nécessitant leur retrait est terminé. Soyez toujours vigilant lorsque vous travaillez près des pièces mobiles.



- Ne mettez pas vos mains près du ventilateur du moteur. Ne tentez pas de contourner le régulateur ou le tendeur en appuyant sur les tiges de commande de l'accélérateur pendant que le moteur tourne.
- Pour éviter de démarrer accidentellement les moteurs à essence lors de la mise en marche du moteur ou du générateur de soudage pendant le travail d'entretien, débranchez les fils de bougie, le capuchon du distributeur ou le fil magnéto, selon le cas.
- Pour éviter de vous ébouillanter, ne retirez pas le bouchon de radiateur lorsque le moteur est encore chaud.
- Le fait d'utiliser une génératrice à l'intérieur PEUT VOUS TUER EN QUELQUES MINUTES!
- Les vapeurs d'échappement de la génératrice contiennent du monoxyde de carbone. Il s'agit d'un poison que vous ne pouvez ni voir ni sentir.
- Ne l'utilisez JAMAIS dans la maison ou le garage MÊME SI les portes et les fenêtres sont ouvertes.
- Utilisez-la uniquement À L'EXTÉRIEUR et loin des fenêtres, des portes et des trappes de ventilation.
- Évitez les autres risques associés à la génératrice. LIRE LE MANUEL AVANT UTILISATION.



LES CHAMPS ÉLECTRIQUES ET MAGNÉTIQUES PEUVENT ÊTRE DANGEREUX



- Le courant électrique qui circule dans un conducteur crée des champs électromagnétiques localisés. Le courant de soudage crée des champs électromagnétiques autour des câbles de soudage et des appareils à souder.
- Les champs électromagnétiques peuvent interférer avec certains stimulateurs cardiaques, et les soudeurs qui portent un stimulateur cardiaque doivent consulter leur médecin avant de souder.
- L'exposition aux champs électromagnétiques dans le soudage peut avoir d'autres effets sur la santé qui ne sont pas connus.
- Tous les soudeurs doivent utiliser les procédures suivantes afin de réduire au minimum l'exposition aux champs électromagnétiques provenant du circuit de soudage :
 - Acheminez l'électrode et les câbles de travail ensemble - fixez-les avec du ruban lorsque possible.
 - N'enroulez jamais l'électrode autour de votre corps.
 - Ne placez pas votre corps entre l'électrode et les câbles de travail. Si le câble de l'électrode est sur votre côté droit, le câble de travail doit également être sur votre côté droit.
 - Connectez le câble de travail à la pièce à souder, le plus près possible de la zone de soudage.
 - Ne travaillez pas à proximité de la source d'alimentation de soudage.



LES DÉCHARGES ÉLECTRIQUES PEUVENT TUER.

- L'électrode et les circuits de travail (ou de mise à la terre) sont électriquement « chauds » lorsque la soudeuse est allumée. Ne touchez pas ces pièces « chaudes »



avec votre peau nue ou vos vêtements mouillés. Portez des gants secs et sans trou pour vous isoler les mains.

- 3.b. Isolez-vous du travail et du sol à l'aide d'une isolation sèche. Assurez-vous que l'isolant est suffisamment grand pour couvrir toute votre zone de contact physique avec la pièce travaillée et le sol.

En plus des précautions de sécurité normales, si le soudage doit être effectué dans des conditions dangereuses du point de vue électrique (dans des endroits humides ou lors du port de vêtements mouillés, sur des structures métalliques comme des planchers, des grilles ou des échafaudages, lorsqu'il y a un risque élevé de contact inévitable ou accidentel avec le travail ou le sol), utilisez l'équipement suivant:

- Soudeuse à tension constante (fil) semi-automatique c.c.
 - Soudeuse manuelle (bâtonnet) c.c.
 - Soudeuse c.a. avec contrôle de tension réduite.
- 3.c. Dans le soudage par fil semi-automatique ou automatique, l'électrode, le dévidoir d'électrode, la tête de soudage, la buse ou le pistolet de soudage semi-automatique sont également « chauds » du point de vue électrique.
- 3.d. Assurez-vous toujours que le câble de travail fait une bonne connexion électrique avec le métal soudé. La connexion doit être aussi près que possible de la zone soudée.
- 3.e. Reliez à la terre la pièce travaillée ou le métal à souder sur une bonne prise de terre.
- 3.f. Maintenez le porte-électrode, la pince de travail, le câble de soudage et l'appareil de soudage en bon état de fonctionnement sécuritaire. Remplacez l'isolant endommagé.
- 3.g. Ne trempez jamais l'électrode dans l'eau pour le refroidissement.
- 3.h. Ne touchez jamais simultanément de parties sous tension des porte-électrodes connectés à deux soudeuses parce que la tension entre les deux peut être le total de la tension de circuit ouverte des deux soudeuses.
- 3.i. Lorsque vous travaillez au-dessus du niveau du plancher, utilisez une ceinture de sécurité pour vous protéger contre une chute si vous subissez un choc.
- 3.j. Consultez aussi les Sections 6.c. et 8.



LES RAYONS D'ARC PEUVENT CAUSER DES BRÛLURES.



- 4.a. Utilisez un écran avec le filtre approprié et des plaques de recouvrement pour protéger vos yeux contre les étincelles et les rayons d'arc lors du soudage ou de l'observation d'un soudage à arc ouvert. L'écran facial et le filtre doivent être conformes à la norme ANSI Z87.1.
- 4.b. Utilisez des vêtements appropriés fabriqués à partir de matériaux durables résistants aux flammes pour protéger votre peau et celle de vos assistants contre les rayons d'arc.
- 4.c. Protégez les autres membres du personnel à proximité avec un écran ininflammable approprié et/ou avertissez-les de ne pas regarder l'arc et de ne pas s'exposer aux rayons d'arc ou aux projections ou au métal chauds.



LES ÉMANATIONS ET LES GAZ PEUVENT ÊTRE DANGEREUX POUR VOTRE SANTÉ.



- 5.a. Le soudage peut produire des émanations et des gaz dangereux pour la santé. Évitez de respirer ces émanations et gaz. Lorsque vous soudez, gardez la tête à bonne distance des émanations. Utilisez suffisamment d'aération et/ou d'échappement au niveau de l'arc pour maintenir les émanations et les gaz à bonne distance de votre zone de respiration et de la zone générale. **Lors de la soudure de revêtements durs (voir les instructions sur le contenant ou la FDS) ou sur le plomb ou l'acier cadmié et autres métaux ou revêtements qui produisent des émanations de fumées hautement toxiques, limitez l'exposition autant que possible et maintenez-la au-dessous des limites TLV de l'ACGIH et PEL de l'OSHA en utilisant l'échappement disponible sur place ou une ventilation mécanique, à moins que les évaluations de l'exposition n'indiquent autres mesures. Dans les espaces clos ou dans certaines circonstances, à l'extérieur, un respirateur peut être requis. Des précautions supplémentaires sont également requises lors du soudage sur l'acier galvanisé.**
- 5.b. Le fonctionnement de l'équipement de contrôle des émanations de soudage est affecté par divers facteurs, notamment l'utilisation et le positionnement adéquats de l'équipement, l'entretien de l'équipement ainsi que la procédure et l'application spécifiques de soudage. Le niveau d'exposition des travailleurs doit être vérifié lors de l'installation et périodiquement par la suite pour être certain qu'il se situe dans les limites TLV de l'ACGIH et PEL de l'OSHA applicables.
- 5.c. Ne soudez pas dans des endroits près des émanations d'hydrocarbures chlorés provenant des opérations de dégraissage, de nettoyage ou de pulvérisation. La chaleur et les rayons d'arc peuvent réagir avec des émanations de solvant pour former des phosgènes, un gaz très toxique et d'autres produits irritants.
- 5.d. Les gaz de protection utilisés pour le soudage à l'arc peuvent déplacer l'air et causer des blessures ou la mort. Utilisez toujours une ventilation adéquate, surtout dans les espaces confinés, pour assurer que l'air respiré est sain.
- 5.e. Lisez et comprenez les instructions du fabricant pour cet équipement et les consommables à utiliser, y compris la fiche de données de sécurité (FDS), et suivez les pratiques de sécurité de votre employeur. Les formulaires de FDS sont disponibles auprès de votre distributeur de soudage ou du fabricant.
- 5.f. Voir aussi l'article 1.b.



LES ÉTINCELLES DE SOUDAGE ET DE DÉCOUPAGE PEUVENT PROVOQUER UN INCENDIE OU UNE EXPLOSION.



- 6.a. Éliminez les risques d'incendie de la zone de soudure. Si cela n'est pas possible, couvrez-les pour empêcher les étincelles de soudage de provoquer un incendie. Rappelez-vous que les étincelles et les matériaux chauds du soudage peuvent facilement passer par de petites fissures et ouvertures dans des zones adjacentes. Évitez de souder près des conduites hydrauliques. Ayez un extincteur facilement disponible.
- 6.b. Lorsque des gaz comprimés doivent être utilisés sur le chantier, des précautions particulières doivent être prises pour prévenir les situations dangereuses. Consultez la section « Sécurité de la soudure et de la coupe » (norme ANSI Z49.1) et les informations d'utilisation de l'équipement utilisé.
- 6.c. Lorsqu'il n'y a pas de soudure, assurez-vous qu'aucune partie du circuit de l'électrode ne touche la pièce travaillée ou le sol. Un contact accidentel peut provoquer une surchauffe et causer un incendie.
- 6.d. Ne chauffez, ne coupez et ne soudez pas des réservoirs, des barils ou des contenants jusqu'à ce que les mesures appropriées aient été prises pour s'assurer que ces procédures ne causeront pas d'émanations inflammables ou toxiques provenant des substances à l'intérieur. Ils peuvent causer une explosion même s'ils ont été « nettoyés ». Pour de plus amples renseignements, veuillez acheter « Pratiques sécuritaires recommandées pour la préparation et la coupe des contenants et des canalisations qui ont contenu des substances dangereuses », AWS F4.1 de la American Welding Society (voir l'adresse ci-dessus).
- 6.e. Ventilez les moulages ou les contenants creux avant de les chauffer, de les couper ou de les souder. Ils peuvent exploser.
- 6.f. L'arc de soudage émet des étincelles et des projections. Portez des vêtements de protection sans huile comme des gants en cuir, une chemise épaisse, des pantalons sans revers, des chaussures hautes et une casquette sur vos cheveux. Portez des bouchons d'oreille lors de la soudure en position inhabituelle ou dans des endroits confinés. Portez toujours des lunettes de sécurité avec des écrans latéraux lorsque vous êtes dans une zone de soudage.
- 6.g. Branchez le câble de travail à la pièce travaillée aussi près que possible de la zone de soudure. Les câbles de travail raccordés à la charpente du bâtiment ou à d'autres endroits éloignés de la zone de soudure augmentent le risque que le courant de soudure passe par des chaînes de levage, des câbles de grue ou d'autres circuits imprévus. Cela peut causer des incendies ou surchauffer les chaînes ou les câbles jusqu'à ce qu'ils connaissent une défaillance.
- 6.h. Voir aussi l'article 1.c.
- 6.i. Lisez et respectez la norme NFPA 51B « Norme pour la prévention des incendies pendant la soudure, la coupe et les autres travaux chauds (Standard for Fire Prevention During Welding, Cutting and Other Hot Work) », disponible auprès de NFPA, 1 Batterymarch Park, PO box 9101, Quincy, MA 022690-9101.
- 6.j. N'utilisez pas une source d'alimentation de soudage pour la décongélation des tuyaux.



LA BOUTEILLE PEUT EXPLOSER SI ELLE EST ENDOMMAGÉE.

- 7.a. Utilisez uniquement des bouteilles de gaz comprimé contenant le gaz de protection approprié pour le procédé utilisé et les régulateurs d'exploitation adéquats conçus pour le gaz et la pression utilisés. Tous les flexibles, raccords, etc. doivent convenir à l'application et être bien entretenus.
- 7.b. Gardez toujours les bouteilles en position verticale fermement attachées à un cadre de support mobile ou à un support fixe.
- 7.c. Les bouteilles doivent être situées :
 - Loin des zones où elles peuvent être heurtées ou soumises à des dommages physiques.
 - À une distance sécuritaire de la soudure à l'arc ou des opérations de coupe et de toute autre source de chaleur, d'étincelles ou de flammes.
- 7.d. Ne laissez jamais l'électrode, le porte-électrode ou toute autre pièce « chaude » du point de vue électrique toucher une bouteille.
- 7.e. Gardez la tête et le visage à bonne distance de la sortie de la vanne de la bouteille lorsque vous ouvrez la valve de la bouteille.
- 7.f. Les capuchons de protection des vannes doivent toujours être en place et serrés à la main, sauf lorsque la bouteille est utilisée ou connectée pour utilisation.
- 7.g. Lisez et suivez les instructions sur les bouteilles de gaz comprimé, l'équipement connexe et la publication CGA P-1, « Précautions pour la manipulation sécuritaire des gaz comprimés en bouteilles (Precautions for Safe Handling of Compressed Gases in Cylinders) », disponible auprès de la Compressed Gas Association, 14501 George Carter Way Chantilly, VA 20151.



POUR L'ÉQUIPEMENT ÉLECTRIQUE MOTORISÉ.



- 8.a. Éteignez l'alimentation d'entrée à l'aide du commutateur de débranchement à la boîte de fusibles avant de travailler sur l'équipement.
- 8.b. Installez l'équipement conformément au Code national de l'électricité des États-Unis, à tous les codes locaux et aux recommandations du fabricant.
- 8.c. Assurez la mise à la terre de l'équipement conformément au Code national de l'électricité des États-Unis et aux recommandations du fabricant.

Consultez
<http://www.lincolnelectric.com/safety>
 pour obtenir de l'information supplémentaire sur la
 sécurité.

TABLE DES MATIÈRES

Description du produit	3
Installation	4
Spécifications techniques	4
Caractéristiques haut de gamme incluant :	4
Sélectionner l'emplacement approprié	5
Meulage	5
Empilage	5
Transport - Déchargement	5
Basculement	5
Cote environnementale	5
Connexion d'alimentation d'entrée	6
Chargement et filetage des fils	7
Fonctionnement	9
Fonctionnement de l'appareil	10
Liste des pièces de rechange	11
Entretien	12
Entretien de routine et périodique	12
Dépannage	12
Comment utiliser le guide de dépannage	12

DESCRIPTION DU PRODUIT

RÉSUMÉ DU PRODUIT

La Weld-Pak® 90i FC est une machine de soudage à tension constante c.c. ayant un régime nominal de 90 ampères, 18,5 volts, à un facteur de marche de 30 %. L'unité Weld-Pak® est destinée à la fabrication, à l'entretien, à l'usage domestique et aux ateliers de carrosserie. L'appareil est doté d'un étui portable et robuste. L'interface utilisateur est dotée de deux boutons : un pour la tension et un pour la vitesse d'alimentation du fil. La Weld-Pak® 90i FC est conçue pour le marché nord-américain et fonctionne sur une alimentation 120 V monophasée de 60 Hz. Un aperçu des capacités d'entrée et de sortie de la machine est indiqué sur la plaque signalétique illustrée ici.

La machine est équipée des accessoires suivants :

- Pistolet WP150L
- Câble de travail avec pince
- Tubes-contact de rechange
- Tableau des procédures et documentation

90i FC		N° de code :		N° de série :	
		CSA C22.2 N° 60974-1:19 ANSI/NEMA/CEI 60974-1-2019			
		30 A/15,5 V à 120 A/20 V			
		X	30 %	60 %	100 %
	$U_0 = 45 \text{ V}$	I_2	90 A	64 A	50A
		U_2	18,5 V	17,2 V	16,5 V
 1 ~ 60 Hz	$U_1 = 120 \text{ V}$	$I_{1\text{max}} = 21 \text{ A}$	$I_{1\text{eff}} = 11,5 \text{ A}$		
IP21S					

INSTALLATION

SPÉCIFICATIONS TECHNIQUES – K5255-1 WELD-PAK 90i FC

PLAGE DE COURANT DE SORTIE
30 À 12 A
TENSION DE CIRCUIT OUVERT
V (RMS)
CIRCUIT D'ENTRÉE
120 V C.A.
CYCLE DE SERVICE
30 % À 90 A

VITESSE DE LA TÊTE DE SOUDAGE
0 À 200 IPM
DIAMÈTRE DE FIL APPROPRIÉ
0,030 po, 0,035 po
POIDS BRUT
7 kg (15 lb)
VALEUR NOMINALE IP
IP21S

CARACTÉRISTIQUES HAUT DE GAMME INCLUANT :

1. Source d'alimentation de l'onduleur – plus efficace pour fonctionner, offre des caractéristiques de soudure plus lisses que les soudeurs traditionnels
2. Tension de soudage infinie pour permettre un réglage précis des caractéristiques de soudure
3. Cycle de service de 30 % à 90 A
4. Léger et portatif – Idéal pour l'entretien et les soudeurs mobiles

PROTECTION THERMIQUE

L'appareil a un cycle de service de sortie maximum de 30 %. Si le cycle de service est dépassé, un protecteur thermique arrête la sortie jusqu'à ce que l'appareil refroidisse à une température de fonctionnement normale. Il s'agit d'une fonction automatique de l'appareil et elle ne nécessite aucune intervention de l'utilisateur.

ACCESSOIRES REQUIS

- Masque
- Veste
- Gants

Lisez toute cette section d'installation avant de commencer l'installation.

Précautions de sécurité

N'essayez pas d'utiliser cet équipement avant d'avoir lu attentivement toutes les informations d'installation, d'utilisation et d'entretien fournies avec votre équipement. Ils comprennent des précautions de sécurité importantes ainsi que des instructions d'utilisation et d'entretien détaillées.

AVERTISSEMENT

Les DÉCHARGES ÉLECTRIQUES peuvent tuer.

- Seul le personnel qualifié doit effectuer cette installation.
- Ne touchez pas les pièces électriques sous tension.
- Connectez toujours l'appareil à une alimentation secteur mise à la terre.



SÉLECTIONNER L'EMPLACEMENT APPROPRIÉ

Placez le soudeur où l'air de refroidissement propre peut circuler librement par le devant et l'arrière des événements et vers l'extérieur. La saleté, la poussière ou tout corps étranger qui peuvent être aspirés par les événements et dans le soudeur doivent être maintenus au minimum. Le non-respect de ces précautions peut entraîner des températures de fonctionnement excessives, ce qui peut entraîner une défaillance de l'installation.

MEULAGE

Ne dirigez pas les particules de meulage vers le poste à souder. Une abondance de matériaux conducteurs peut causer une défaillance de l'installation.

EMPILAGE

Cet appareil ne peut pas être empilé.

TRANSPORT - DÉCHARGEMENT

Ne sous-estimez jamais le poids de l'équipement, ne le déplacez jamais ou le laissez suspendu en l'air au-dessus des personnes. L'appareil doit être soulevé et transporté par la sangle fournie ou sur un socle de chargement. L'appareil ne doit pas être transporté par l'entrée, le cordon, les câbles de sortie ou le pistolet de soudage. Utilisez des techniques de levage appropriées lorsque vous transportez ou soulevez l'appareil pour éviter les blessures.

AVERTISSEMENT

S'il tombe, l'équipement peut causer des blessures. Ne jamais soulever le poste à souder avec la bouteille de gaz fixée. Ne jamais soulever au-dessus des personnes.



BASCULEMENT

L'appareil doit être placé sur une surface plane et sécuritaire

COTE ENVIRONNEMENTALE

La source d'alimentation de soudage a la cote IP21S. Il peut être utilisé dans des environnements industriels et commerciaux normaux. Éviter d'utiliser dans les endroits où il y a de l'eau/de la pluie.

Lire et suivre les « Avertissements relatifs aux chocs électriques » dans la section de sécurité si le soudage doit être effectué dans des conditions électriquement dangereuses telles que le soudage dans des zones humides ou s'il y a de l'eau sur la pièce.

AVERTISSEMENT

Les DÉCHARGES ÉLECTRIQUES peuvent tuer.

- Cette soudeuse doit être mise à la terre



MISE EN GARDE

Le générateur haute fréquence étant similaire à un émetteur radio, il peut provoquer des interférences avec les équipements radio, TV et autres équipements électroniques.

- Ces problèmes peuvent être le résultat d'interférences rayonnées. Des méthodes de mise à la terre appropriées peuvent réduire ou éliminer ces problèmes.



Les rayonnements perturbateurs peuvent se développer des façons suivantes

1. Interférence directe de la source d'alimentation du soudeur
2. Interférence directe des fils de soudage
3. Interférence directe émise par la rétroaction vers les lignes électriques
4. Interférence du renvoi de radiation par des objets métalliques non mis à la terre

En gardant ces facteurs contributifs à l'esprit, l'installation de l'équipement conformément aux instructions suivantes devrait minimiser les problèmes

1. Garder les lignes d'alimentation d'entrée du poste de soudeur aussi courtes que possible et les confiner le plus possible dans un conduit métallique ou un blindage équivalent. Il devrait y avoir un bon contact électrique entre ce conduit et la masse (Terre)
2. Garder le travail et les fils d'électrode aussi courts que possible. Coller les fils ensemble lorsque cela est possible
3. S'assurer que les revêtements en caoutchouc du chalumeau et des fils de terre sont exempts de coupures et de fissures qui permettent une fuite de courant de soudage
4. Maintenir la connexion du fil de terre au travail en bon état – Nettoyer la zone sur l'établi où la pince de terre est posée régulièrement.

CONNEXION D'ALIMENTATION D'ENTRÉE

L'appareil a une connexion d'entrée, le câble d'entrée d'alimentation. Le câble d'entrée d'alimentation se trouve à l'arrière.

Le Weld-Pak 90i FC est fourni avec un câble de 120 V, 6 pi (1,8 m) de longueur, avec une fiche de 15 A, 5 à 15 P moulée sur le cordon.

La sortie nominale du Weld-Pak 90i FC est disponible lorsqu'il est connecté à un circuit de dérivation de 20 A. Lorsqu'il est connecté à un circuit de dérivation à faible capacité, un courant de soudage moins fort et un cycle de service doivent être utilisés.

EXIGENCES DU CODE POUR LES CONNEXIONS D'ENTRÉE ÉLECTRIQUE

⚠ AVERTISSEMENT

Cet appareil à souder doit être branché à une source d'alimentation conformément aux codes électriques applicables.

Le Code national de l'électricité fournit des normes pour la capacité de manutention en ampères des conducteurs d'alimentation en fonction du cycle de service de la source de soudage.

Si vous avez des questions à savoir si l'installation répond aux exigences du code de l'électricité applicables, consultez un électricien qualifié.

⚠ AVERTISSEMENT

Ne connectez pas l'appareil à une source d'alimentation dont la tension nominale est supérieure à 125 volts.

Ne retirez pas la broche de mise à la terre du cordon d'alimentation.

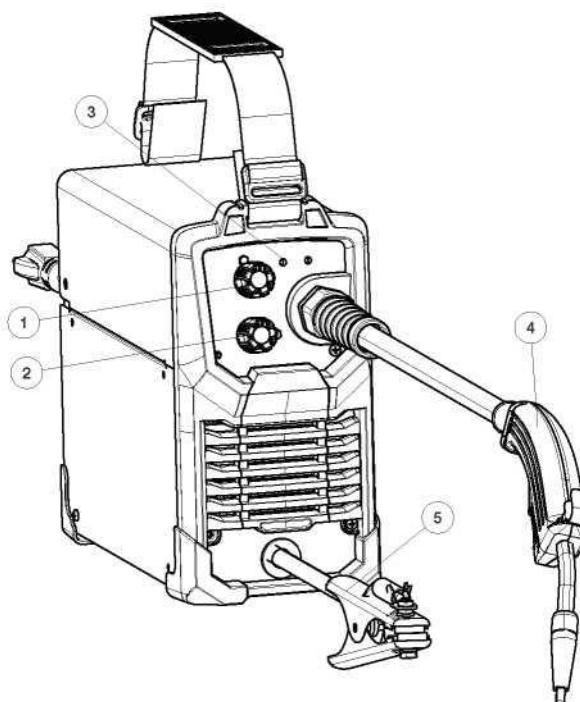
UTILISATION DE LA RALLONGE

Si une rallonge est nécessaire, utilisez-en une qui est conçue pour l'application et qui a 3 conducteurs de calibre 14 AWG (2,1 mm²) ou plus. Les longueurs maximales recommandées sont de 7,5 m (25 pi) si un calibre 14 AWG (2,1 mm²) est utilisé et de 15 m (50 pi) si un calibre 12 AWG (3,3 mm²) est utilisé.

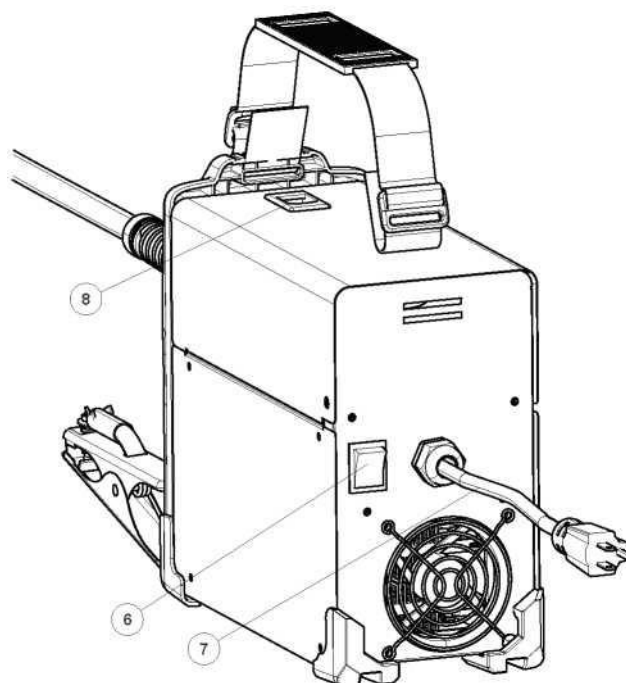
SOUDAGE À L'ARC AVEC FIL FOURRÉ (INNERSHIELD)

L'électrode recommandée pour le processus auto-blindé avec fil fourré est l'Innershield NR-211-MPP de Lincoln de 0,9 mm (0,035 po) de diamètre sur des bobines de 0,5 kg (1 lb).

FIGURE 1



1. Réglage de la tension
2. Réglage de la vitesse d'alimentation du fil
3. Voyants DEL d'alimentation et de protection
4. Torche à fil fourré sans gaz
5. Pince de travail



6. Interrupteur d'alimentation
7. Câble d'alimentation d'entrée
8. Loquet du couvercle de la bobine

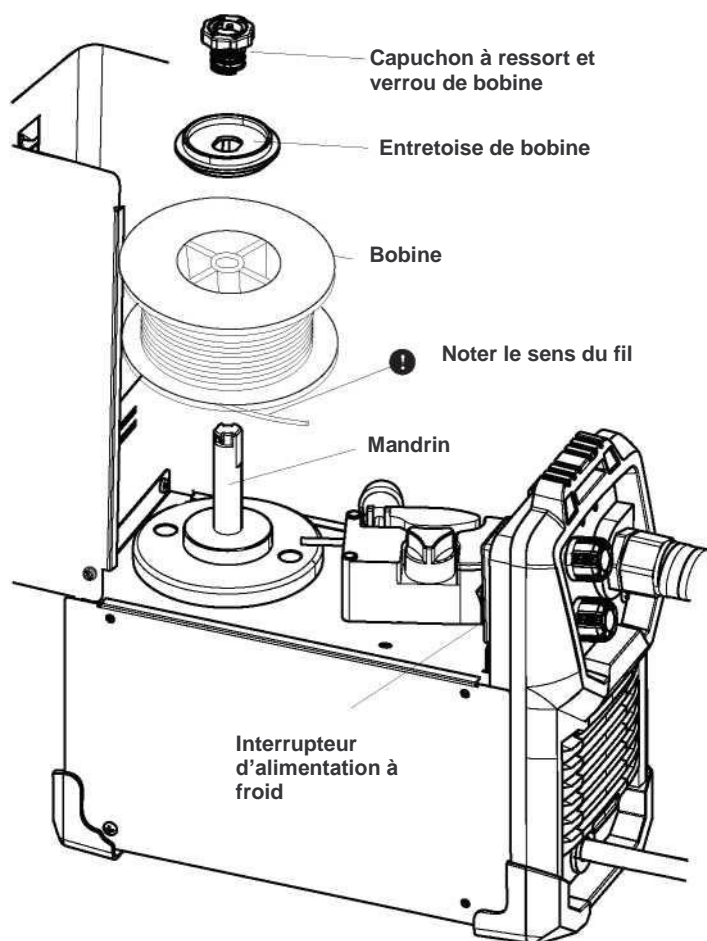
CHARGEMENT ET FILETAGE DES FILS

Se reporter à la figure 2.

Mettre l'interrupteur d'alimentation de l'appareil à la position éteinte (« 0 ») avant de travailler à l'intérieur du boîtier d'alimentation.

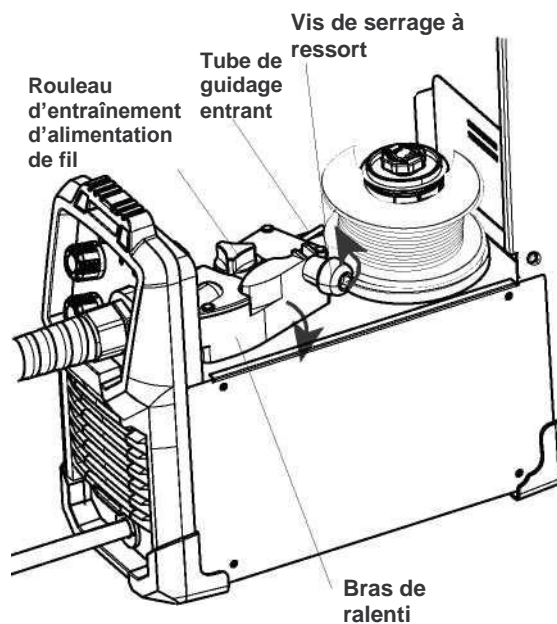
S'assurer que le rouleau d'entraînement d'alimentation du fil et le tube-contact du pistolet correspondent au diamètre et au type de fil utilisés.

1. Pousser la bobine sur le mandrin de sorte que le fil s'insère du bas de la bobine vers le rouleau d'entraînement.
2. Pousser l'entretoise de bobine sur le mandrin, contre la bobine.
3. Glisser le ressort sur la bobine, puis appuyer sur le verrou de la bobine, en le tournant dans le sens horaire pour verrouiller l'ensemble de bobine sur le mandrin.

FIGURE 2**DÉTAILS CONCERNANT L'ENFILAGE DU FIL**

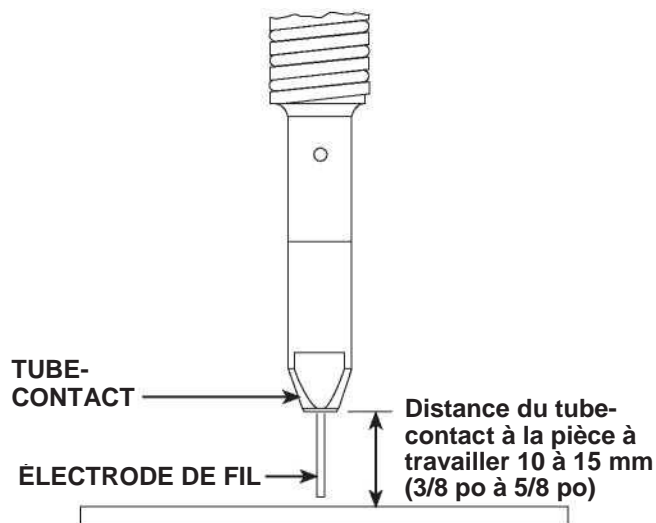
Se reporter à la figure 3.

4. Relâcher la vis de serrage à ressort et faire tourner le bras du rouleau de ralenti loin du rouleau d'entraînement d'alimentation du fil. S'assurer que la grosseur imprimée visible du rouleau d'entraînement, face à vous, correspond à la grosseur du fil utilisé.
5. Détacher soigneusement l'extrémité du fil de la bobine. Maintenir la tension sur le fil pour empêcher la bobine de se dérouler et ne pas relâcher le fil avant l'étape 5.
6. Couper la partie pliée du fil et redresser les 4 premiers pouces (100 mm).
7. Enfiler le fil dans le tube de guidage entrant, par-dessus le rouleau d'entraînement et dans la gaine du pistolet.
8. Fermer le bras du rouleau de ralenti et tourner la vis de serrage jusqu'à ce que le rouleau de ralenti appuie fermement sur le fil (vous pouvez maintenant relâcher le fil de soudage). S'assurer que le fil est positionné dans la rainure du rouleau d'entraînement inférieur.
9. La vis de serrage à ressort sur le bras du rouleau de ralenti ajuste la pression sur le fil. Ajuster la pression en tournant la vis de serrage pour éviter qu'elle ne dépasse la bobine, tout en permettant une alimentation fluide et facile du fil. Commencer par la pression réglée à une valeur intermédiaire. Réajuster, au besoin. Si le rouleau d'entraînement glisse pendant l'alimentation du fil, la pression doit être augmentée jusqu'à ce que le fil soit correctement alimenté.

FIGURE 3

FIL DE SORTIE

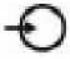



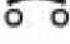











10. Retirer la buse et le tube-contact du pistolet.
11. Mettre l'appareil en marche (« I »).
12. Redresser le câble du pistolet.
13. Enfoncer l'interrupteur d'alimentation à froid et faire passer le fil de soudage à travers le pistolet et le câble. (Pointer le pistolet loin de vous et des autres en alimentant le fil). Relâcher l'interrupteur d'alimentation à froid après l'apparition du fil à l'extrémité du pistolet.
14. Éteindre l'appareil.
15. Replacer la buse et le tube-contact. Se reporter à la figure B-4. Couper le fil de façon à ce que 10 à 15 mm (3/8 po à 5/8 po) dépasse l'extrémité de la buse.
16. Allumer l'appareil. L'appareil est maintenant prêt à souder.

FIGURE 4

FONCTIONNEMENT

Veillez lire et comprendre entièrement cette section avant d'utiliser votre commande à distance CrossLinc.

SYMBOLES GRAPHIQUES UTILISÉ DANS CE MANUEL OU PAR CETTE MACHINE

	PUISSANCE D'ENTRÉE		
	ON (MARCHÉ)	U_0	TENSION DE CIRCUIT OUVERT
	OFF (ARRÊT)	U_1	TENSION D'ENTRÉE
	TEMPÉRATURE ÉLEVÉE	U_2	TENSION DE SORTIE
	DISJONCTEUR	I_1	COURANT D'ENTRÉE
	TÊTE DE SOUDAGE	I_2	COURANT DE SORTIE
	SORTIE POSITIVE		MISE À LA TERRE DE PROTECTION
	SORTIE NÉGATIVE		
	CONVERTISSEUR		AVERTISSEMENT ou MISE EN GARDE
	PUISSANCE D'ENTRÉE		Explosion
	COURANT DIRECT		Tension dangereuse
			Risque de choc

Précautions de sécurité

N'essayez pas d'utiliser cet équipement avant d'avoir lu attentivement tous les manuels d'utilisation et d'entretien fournis avec votre équipement et tout appareil de soudage connexe avec lequel il sera utilisé. Ils comprennent des précautions de sécurité importantes ainsi que des instructions d'utilisation et d'entretien détaillées.

⚠️ AVERTISSEMENT

Les DÉCHARGES ÉLECTRIQUES peuvent tuer.

- Ne touchez pas les pièces sous tension comme les bornes de sortie ou le câblage interne.
- Isolez-vous du travail et du sol.
- Portez toujours des gants isolants secs.



Les ÉTINCELLES DE SOUDAGE peuvent causer un incendie ou une explosion.

- Gardez le matériel inflammable éloigné.
- Ne pas souder sur des contenants qui ont contenu des combustibles.



Les RAYONS D'ARC peuvent causer des brûlures.

- Portez une protection pour les yeux, les oreilles et le corps.



LES ÉMANATIONS ET LES GAZ peuvent être dangereux pour votre santé.

Bien que l'élimination de la matière particulaire de la fumée de soudage puisse réduire l'exigence de ventilation, les concentrations d'émanations et de gaz évacués transparents peuvent tout de même être dangereuses pour la santé. Évitez de respirer des concentrations élevées de ces émanations et de ces gaz. Utilisez une ventilation adéquate lors du soudage. Voir ANSI Z49.1, « Sécurité dans le soudage et le découpage », publié par l'American Welding Society.

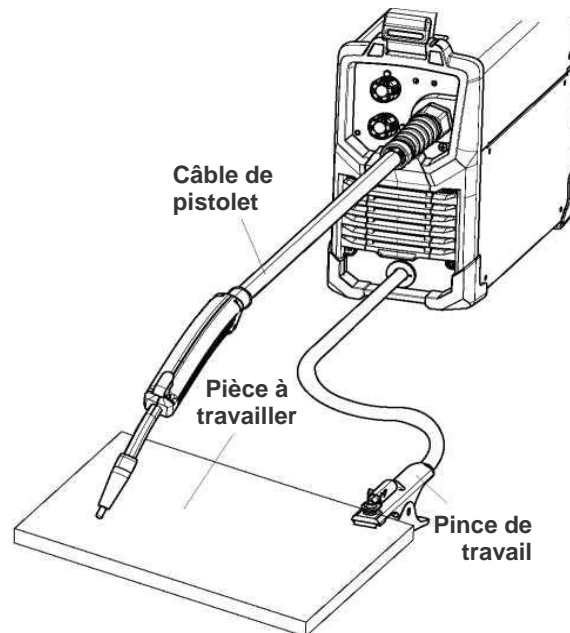


FONCTIONNEMENT DE L'APPAREIL

Une fois que vous avez configuré l'appareil conformément aux instructions, reportez-vous au tableau B.1 et à l'autocollant de procédure situé à l'intérieur de la porte du compartiment d'entraînement des fils de votre appareil pour obtenir des informations sur la configuration, les consommables et les conseils rapides pour le soudage.

1. Sélectionner la tension de soudage (puissance), en fonction de l'épaisseur du matériau de la pièce travaillée, requise sur le panneau avant.
2. Sélectionner la vitesse d'alimentation du fil requise sur le bouton « vitesse du fil ».
3. S'assurer de porter les vêtements et l'équipement de sécurité appropriés pour le soudage (p. ex., masque de soudage, gants, tablier, etc.)

FIGURE 5



4. Raccorder la pince de travail au métal à souder. La pince de travail doit avoir un bon contact électrique avec la pièce à travailler. La pièce à travailler doit également être mise à la terre comme indiqué dans les Précautions de sécurité pour le soudage à l'arc au début de ce manuel.
5. En fonction du type et de l'orientation du joint de soudure, positionner le pistolet dans le joint à l'angle approprié.
6. Pour commencer le soudage, soulever le garde-main ou abaisser le casque pour protéger les yeux, puis appuyer sur la gâchette.
7. Pendant le soudage, se déplacer à une vitesse constante et maintenir une longueur d'électrode de 3/8 po.
8. Relâcher la gâchette du pistolet pour arrêter le soudage.
9. Lorsqu'il n'y a plus de soudure à faire, éteindre l'appareil.

FCAW - Sans gaz (avec fil fourré)							
Fil de soudage	Lincoln NR-211-MP 0,030 (fil fourré Innershield)			Lincoln NR-211-MP 0,035 (fil fourré Innershield)			
Tube-contact	0,8 mm (0,030 po) - Lincoln, numéro de pièce KH711			0,9 mm (0,035 po) - Lincoln, numéro de pièce KH712			
Rouleau d'entraînement	Rainure moletée de 0,8 mm/0,9 mm (0,030 po/0,035 po) – Lincoln, n° de pièce : KP4364-035						
Chargement du fil	Ne pas oublier : Retirer le tube-contact avant de charger le fil Maintenir une tension sur le fil pour éviter qu'il se déballe.						
	<ol style="list-style-type: none"> Couper la partie pllée du fil et redresser les 4 premiers pouces pour alimenter dans les rouleaux et le pistolet. Relever le bras de pression à ressort et faire tourner le bras de roulement de ralenti loin du rouleau d'entraînement. Enfiler le fil dans le tube de guidage entrant, par-dessus le rouleau d'entraînement et dans la gaine du pistolet. Fermer le bras du rouleau de ralenti. 						
Tension d'alimentation du fil	Les réglages de vitesse de l'alimentation du fil suggérés dans le tableau ci-dessous sont basés sur un réglage moyen de la tension du fil. La tension peut être modifiée si nécessaire pour améliorer l'alimentation du fil; cependant, le réglage de la vitesse d'entraînement du fil de soudure (WFS) peut devoir être ajusté à partir des valeurs du tableau ci-dessous.						
Réglages suggérés pour le soudage	SANS GAZ AVEC FIL NR-211	cal 20 0,9 mm	cal 18 1,2 mm	cal 16 1,6 mm	cal 14 2,1 mm	cal 1/8 po 3,2 mm	
	0,030 NR-211	Tension	1,5	2,5	3	4	6
		Vitesse d'entraînement du fil de soudure	3,5	5	7	8	10
	0,035 NR-211	Tension	--	2	3	4	6
Vitesse d'entraînement du fil de soudure		--	3	4,5	6	10	
Conseils utiles	<p>Souder à un rythme stable</p> <p>Ne PAS tisser l'arc, ni vers l'avant, ni vers l'arrière ou de côté</p> <p>Retirer les scories avec le marteau burineur pour exposer la soudure</p> <p>Pour les joints soudés horizontaux, ne pas oublier : « Glisser s'il y a des scories »</p> <p>Consulter le manuel pour le dépannage d'une mauvaise qualité de soudure</p>						
Direction du soudage ET angle du pistolet par rapport à la direction de soudure							
Angles de pistolet appropriés pour les types de joints soudés courants							
Longueur d'électrode	<p>Maintenir une longueur d'électrode de 3/8 po pendant le soudage.</p>						

LISTE DES PIÈCES DE RECHANGE

Tube-contact (0,030 po)	KH711 (0,030 po / 0,8 mm)
Tube-contact (0,035 po)	KH712 (0,035 po/0,9 mm)
Rouleau d'entraînement	KP2744-035
Buse	KH726
Fil FCAW	LINCOLN 0,030 NR-211-MP
Fil FCAW	LINCOLN 0,035 NR-211-MP



AVERTISSEMENT

L'utilisation de cet appareil sur des matériaux plus épais que recommandé peut causer des soudures de mauvaise qualité. Les soudures peuvent sembler belles, mais peuvent ne pas avoir la fusion ou la liaison nécessaire pour donner une soudure solide. C'est ce qu'on appelle le « moulage à froid » ou le « chevauchement froid » et c'est ce qui ressemble à un joint de soudure froide. Une défaillance de la soudure peut en résulter.

ENTRETIEN

AVERTISSEMENT

Les DÉCHARGES ÉLECTRIQUES peuvent tuer.

- Mettez l'alimentation d'entrée hors tension à la source d'alimentation de soudage avant d'installer ou de changer les rouleaux et/ou les guides d'entraînement.
- Ne touchez pas les pièces électriques sous tension.
- Lorsque l'on avance lentement avec la gâchette du pistolet, l'électrode et le mécanisme d'entraînement sont « sous-tension » au travail et à la masse, et ils peuvent rester sous tension plusieurs secondes une fois la gâchette du pistolet relâchée.
- Ne pas utiliser avec les couvercles, panneaux ou protections enlevés ou ouverts.
- Seul le personnel qualifié doit effectuer les travaux d'entretien.



ARTICLES NE NÉCESSITANT AUCUN ENTRETIEN

- Moteur d'entraînement et boîte d'engrenages – Lubrification à vie
- Mandrin de bobine de fil – NE PAS lubrifier l'arbre

ENTRETIEN DE ROUTINE ET PÉRIODIQUE

- **AVANT CHAQUE UTILISATION** – Vérifier l'appareil et les accessoires pour toute condition évidente qui pourrait empêcher un fonctionnement ou un rendement sécuritaires. Réparer ou remplacer les pièces selon le besoin pour corriger toute condition anormale.

APRÈS 5 MINUTES DE SOUDAGE OU LORSQUE DES ÉCLABOUSSURES S'ACCUMULENT SUR LE TUBE-CONTACT :

- **NETTOYAGE DU TUBE-CONTACT ET DE LA BUSE** – Avec l'interrupteur d'alimentation en position d'arrêt, garder le tube-contact et la buse propres pour éviter un pontage entre eux. Le pontage peut entraîner un court-circuit de la buse, de mauvaises soudures et la surchauffe du pistolet. Indice : Le vaporisateur ou le gel antiadhésif, disponible chez un fournisseur de soudage, peut réduire l'accumulation et aider à éliminer les éclaboussures.

DÉPANNAGE

COMMENT UTILISER LE GUIDE DE DÉPANNAGE

AVERTISSEMENT

Le service et la réparation ne doivent être effectués que par le personnel qualifié et formé en usine de Lincoln Electric. Les réparations non autorisées effectuées sur cet équipement peuvent entraîner un danger pour le technicien et l'opérateur de l'appareil, et invalider votre garantie d'usine. Pour votre sécurité et pour éviter les décharges électriques, veuillez respecter toutes les consignes de sécurité et toutes les précautions détaillées dans ce manuel.

Ce guide de dépannage est fourni pour vous aider à localiser et à réparer les possibles pannes de machine. Suivez simplement la procédure en trois étapes ci-dessous.

Étape 1. REPÉREZ LE PROBLÈME (SYMPTÔME).

Regardez sous la colonne intitulée « PROBLÈME (SYMPTÔMES) ». Cette colonne décrit les possibles symptômes que l'appareil peut présenter. Trouvez l'élément de la liste qui décrit le mieux le symptôme que l'appareil présente.

Étape 2. CAUSE POSSIBLE.

La deuxième colonne intitulée « CAUSE POSSIBLE » énumère les possibilités externes évidentes qui peuvent contribuer au symptôme de l'appareil.

Étape 3. PLAN D'ACTION RECOMMANDÉ

Cette colonne fournit une marche à suivre pour la cause possible. Celle-ci consiste généralement à communiquer avec votre centre de services extérieurs autorisé Lincoln.

Si vous ne comprenez pas ou n'êtes pas en mesure d'effectuer le plan d'action recommandé en toute sécurité, communiquez avec votre centre de services extérieurs autorisé Lincoln.

AVERTISSEMENT

Les DÉCHARGES ÉLECTRIQUES peuvent tuer.

- Éteignez la machine à l'aide de l'interrupteur situé à l'arrière de la machine et débranchez les connexions de l'alimentation principale avant de procéder au dépannage.



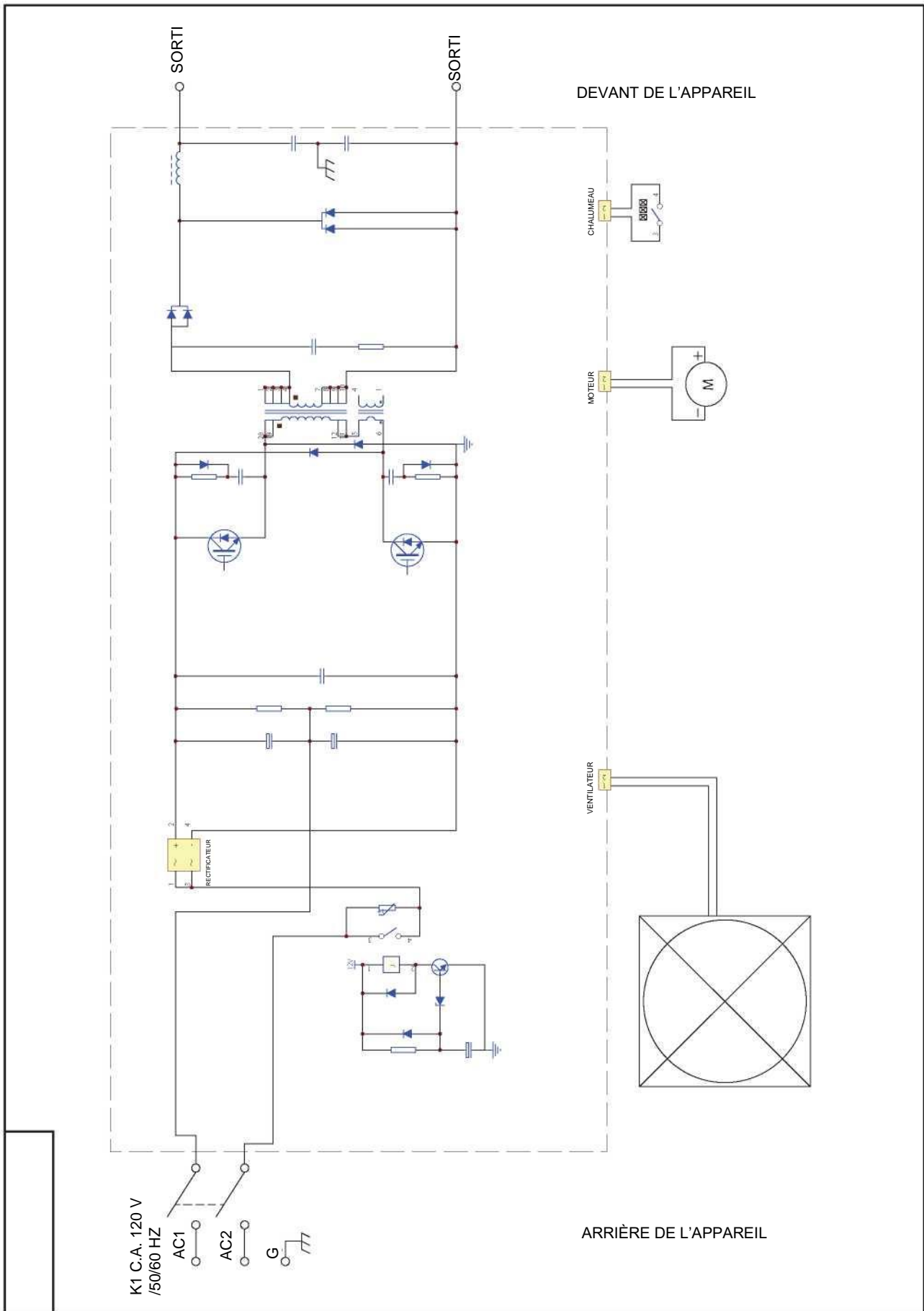
Observez toutes les directives de sécurité détaillées dans tout ce manuel

PROBLÈME (SYMPTÔMES)	MAUVAIS AJUSTEMENT(S) POSSIBLE(S)	PLAN D'ACTION RECOMMANDÉ
Le ruban est trop épais (intermittente).	La vitesse de déplacement est lente et/ou irrégulière	Augmenter et maintenir une vitesse de déplacement constante.
	La plage de chaleur de sortie est trop élevée.	Baisser la tension.
Le ruban ne pénètre pas le métal de base.	La vitesse de déplacement est irrégulière.	Diminuer et maintenir une vitesse de déplacement constante.
	La plage de chaleur de sortie est trop basse.	Augmenter la tension.
Les crachins de fil collent à la pièce travaillée.	Le fil est humide.	Changer pour un fil sec. S'assurer que le fil est rangé dans un endroit sec
	La vitesse d'entraînement du fil de soudure (WFS) est trop rapide.	Réduire la vitesse d'entraînement du fil de soudure (WFS).
Le bord de la soudure a des dépressions irrégulières.	La vitesse de déplacement est trop rapide.	Réduire la vitesse de déplacement.
	La vitesse d'entraînement du fil de soudure est trop rapide.	Réduire la vitesse d'entraînement du fil de soudure.
	La plage de chaleur de sortie est trop élevée.	Régler l'interrupteur de la plage de chaleur basse – haute température à basse température ou le réglage de la chaleur fine à (1).



Si, pour quelque raison que ce soit, vous ne comprenez pas les procédures de tests ou ne pouvez pas effectuer les tests/réparations en toute sécurité, communiquez avec votre centre de services extérieurs autorisé Lincoln pour obtenir de l'aide technique avant de continuer.

WWW.LINCOLNELECTRIC.COM/LOCATOR



			
WARNING	<ul style="list-style-type: none"> Do not touch electrically live parts or electrode with skin or wet clothing. Insulate yourself from work and ground. 	<ul style="list-style-type: none"> Keep flammable materials away. 	<ul style="list-style-type: none"> Wear eye, ear and body protection.
Spanish AVISO DE PRECAUCION	<ul style="list-style-type: none"> No toque las partes o los electrodos bajo carga con la piel o ropa mojada. Aislese del trabajo y de la tierra. 	<ul style="list-style-type: none"> Mantenga el material combustible fuera del área de trabajo. 	<ul style="list-style-type: none"> Protégase los ojos, los oídos y el cuerpo.
French ATTENTION	<ul style="list-style-type: none"> Ne laissez ni la peau ni des vêtements mouillés entrer en contact avec des pièces sous tension. Isolez-vous du travail et de la terre. 	<ul style="list-style-type: none"> Gardez à l'écart de tout matériel inflammable. 	<ul style="list-style-type: none"> Protégez vos yeux, vos oreilles et votre corps.
German WARNUNG	<ul style="list-style-type: none"> Berühren Sie keine stromführenden Teile oder Elektroden mit Ihrem Körper oder feuchter Kleidung! Isolieren Sie sich von den Elektroden und dem Erdboden! 	<ul style="list-style-type: none"> Entfernen Sie brennbares Material! 	<ul style="list-style-type: none"> Tragen Sie Augen-, Ohren- und Körperschutz!
Portuguese ATENÇÃO	<ul style="list-style-type: none"> Não toque partes elétricas e electrodos com a pele ou roupa molhada. Isole-se da peça e terra. 	<ul style="list-style-type: none"> Mantenha inflamáveis bem guardados. 	<ul style="list-style-type: none"> Use proteção para a vista, ouvido e corpo.
Japanese 注意事項	<ul style="list-style-type: none"> 通電中の電気部品、又は溶材にヒフやぬれた布で触れないこと。 施工物やアースから身体が絶縁されている様にして下さい。 	<ul style="list-style-type: none"> 燃えやすいものの側での溶接作業は絶対にしてはなりません。 	<ul style="list-style-type: none"> 目、耳及び身体に保護具をして下さい。
Chinese 警告	<ul style="list-style-type: none"> 皮肤或湿衣物切勿接触带电部件及焊条。 使你自已与地面和工件绝缘。 	<ul style="list-style-type: none"> 把一切易燃物品移离工作场所。 	<ul style="list-style-type: none"> 佩戴眼、耳及身体劳动保护用具。
Korean 위험	<ul style="list-style-type: none"> 전도체나 용접봉을 젖은 헝겊 또는 피부로 절대 접촉치 마십시오. 모재와 접지를 접촉치 마십시오. 	<ul style="list-style-type: none"> 인화성 물질을 접근시키지 마십시오. 	<ul style="list-style-type: none"> 눈, 귀와 몸에 보호장구를 착용하십시오.
Arabic تحذير	<ul style="list-style-type: none"> لا تلمس الاجزاء التي يسري فيها التيار الكهربائي أو الألكترود بجلد الجسم أو بالملابس المبللة بالماء. ضع عازلا على جسمك خلال العمل. 	<ul style="list-style-type: none"> ضع المواد القابلة للاشتعال في مكان بعيد. 	<ul style="list-style-type: none"> ضع أدوات وملابس واقية على عينيك وأذنيك وجسمك.

READ AND UNDERSTAND THE MANUFACTURER'S INSTRUCTION FOR THIS EQUIPMENT AND THE CONSUMABLES TO BE USED AND FOLLOW YOUR EMPLOYER'S SAFETY PRACTICES.

SE RECOMIENDA LEER Y ENTENDER LAS INSTRUCCIONES DEL FABRICANTE PARA EL USO DE ESTE EQUIPO Y LOS CONSUMIBLES QUE VA A UTILIZAR, SIGA LAS MEDIDAS DE SEGURIDAD DE SU SUPERVISOR.

LISEZ ET COMPRENEZ LES INSTRUCTIONS DU FABRICANT EN CE QUI REGARDE CET EQUIPMENT ET LES PRODUITS A ETRE EMPLOYES ET SUIVEZ LES PROCEDURES DE SECURITE DE VOTRE EMPLOYEUR.

LESEN SIE UND BEFOLGEN SIE DIE BETRIEBSANLEITUNG DER ANLAGE UND DEN ELEKTRODENEINSATZ DES HER- STELLERS. DIE UNFALLVERHÜTUNGSVORSCHRIFTEN DES ARBEITGEBERS SIND EBENFALLS ZU BEACHTEN.

			
<ul style="list-style-type: none"> ● Keep your head out of fumes. ● Use ventilation or exhaust to remove fumes from breathing zone. 	<ul style="list-style-type: none"> ● Turn power off before servicing. 	<ul style="list-style-type: none"> ● Do not operate with panel open or guards off. 	WARNING
<ul style="list-style-type: none"> ● Los humos fuera de la zona de respiración. ● Mantenga la cabeza fuera de los humos. Utilice ventilación o aspiración para gases. 	<ul style="list-style-type: none"> ● Desconectar el cable de alimentación de poder de la máquina antes de iniciar cualquier servicio. 	<ul style="list-style-type: none"> ● No operar con panel abierto o guardas quitadas. 	Spanish AVISO DE PRECAUCION
<ul style="list-style-type: none"> ● Gardez la tête à l'écart des fumées. ● Utilisez un ventilateur ou un aspirateur pour ôter les fumées des zones de travail. 	<ul style="list-style-type: none"> ● Débranchez le courant avant l'entretien. 	<ul style="list-style-type: none"> ● N'opérez pas avec les panneaux ouverts ou avec les dispositifs de protection enlevés. 	French ATTENTION
<ul style="list-style-type: none"> ● Vermeiden Sie das Einatmen von Schweißrauch! ● Sorgen Sie für gute Be- und Entlüftung des Arbeitsplatzes! 	<ul style="list-style-type: none"> ● Strom vor Wartungsarbeiten abschalten! (Netzstrom völlig öffnen; Maschine anhalten!) 	<ul style="list-style-type: none"> ● Anlage nie ohne Schutzgehäuse oder Innenschutzverkleidung in Betrieb setzen! 	German WARNUNG
<ul style="list-style-type: none"> ● Mantenha seu rosto da fumaça. ● Use ventilação e exaustão para remover fumo da zona respiratória. 	<ul style="list-style-type: none"> ● Não opere com as tampas removidas. ● Desligue a corrente antes de fazer serviço. ● Não toque as partes elétricas nuas. 	<ul style="list-style-type: none"> ● Mantenha-se afastado das partes moventes. ● Não opere com os painéis abertos ou guardas removidas. 	Portuguese ATENÇÃO
<ul style="list-style-type: none"> ● ヒュームから頭を離すようにして下さい。 ● 換気や排煙に十分留意して下さい。 	<ul style="list-style-type: none"> ● メンテナンス・サービスに取りかかる際には、まず電源スイッチを必ず切して下さい。 	<ul style="list-style-type: none"> ● パネルやカバーを取り外したまま機械操作をしないで下さい。 	Japanese 注意事項
<ul style="list-style-type: none"> ● 頭部遠離煙霧。 ● 在呼吸區使用通風或排風器除煙。 	<ul style="list-style-type: none"> ● 維修前切斷電源。 	<ul style="list-style-type: none"> ● 儀表板打開或沒有安全罩時不準作業。 	Chinese 警告
<ul style="list-style-type: none"> ● 얼굴로부터 용접가스를 멀리하십시오. ● 호흡지역으로부터 용접가스를 제거하기 위해 가스제거기나 통풍기를 사용하십시오. 	<ul style="list-style-type: none"> ● 보수전에 전원을 차단하십시오. 	<ul style="list-style-type: none"> ● 패널이 열린 상태로 작동치 마십시오. 	Korean 위험
<ul style="list-style-type: none"> ● ابعد رأسك بعيداً عن الدخان. ● استعمل التهوية أو جهاز ضغط الدخان للخارج لكي تبعد الدخان عن المنطقة التي تننفس فيها. 	<ul style="list-style-type: none"> ● اقطع التيار الكهربائي قبل القيام بأية صيانة. 	<ul style="list-style-type: none"> ● لا تشغل هذا الجهاز إذا كانت الاغطية الحديدية الواقية ليست عليه. 	Arabic تحذير

LEIA E COMPREENDA AS INSTRUÇÕES DO FABRICANTE PARA ESTE EQUIPAMENTO E AS PARTES DE USO, E SIGA AS PRÁTICAS DE SEGURANÇA DO EMPREGADOR.

使う機械や溶材のメーカーの指示書をよく読み、まず理解して下さい。そして貴社の安全規定に従って下さい。

請詳細閱讀並理解製造廠提供的說明以及應該使用的銀焊材料，並請遵守貴方的有關勞動保護規定。

이 제품에 동봉된 작업지침서를 숙지하시고 귀사의 작업자 안전수칙을 준수하시기 바랍니다.

اقرأ بتمعن وافهم تعليمات المصنع المنتج لهذه المعدات والمواد قبل استعمالها واتبع تعليمات الوقاية لصاحب العمل.

POLITIQUE D'AIDE À LA CLIENTÈLE

Lincoln Electric fabrique et vend des équipements de soudage, des systèmes de soudage automatisés, des produits consommables et des équipements de coupage de haute qualité. Notre défi consiste à répondre

aux besoins de nos clients, qui sont des experts dans leurs domaines, et à dépasser leurs attentes. À l'occasion, les acheteurs peuvent demander à Lincoln Electric des détails ou des renseignements techniques sur l'utilisation de nos produits. Nos employés répondent aux demandes de renseignements au mieux de leurs capacités en fonction des renseignements et des spécifications qui leur sont fournis par les clients et des connaissances qu'ils peuvent avoir concernant l'application. Cependant, nos employés ne sont pas en mesure de vérifier les renseignements fournis, d'évaluer les exigences d'ingénierie pour l'ensemble soudé en particulier, ni de fournir des conseils d'ingénierie en lien avec une situation ou une application spécifique. Par conséquent, Lincoln Electric ne peut garantir ces renseignements ou communications, et elle n'assume aucune responsabilité à cet égard. De plus, la fourniture de tels renseignements ou renseignements techniques ne crée, n'étend ni ne modifie aucune garantie sur nos produits. Toute garantie expresse ou implicite qui pourrait découler des données ou des renseignements techniques, y compris toute garantie implicite de qualité marchande ou toute garantie d'adaptation à un usage particulier de tout client, ou toute autre garantie équivalente ou similaire, est expressément déclinée.

Lincoln Electric est un fabricant responsable, mais la définition des spécifications, ainsi que la sélection et l'utilisation des produits spécifiques vendus par Lincoln Electric sont uniquement sous le contrôle et demeurent la seule responsabilité du client. De nombreuses variables au-delà du contrôle de Lincoln Electric ont une incidence sur les résultats de l'application de ces méthodes de fabrication et de ces exigences de service.

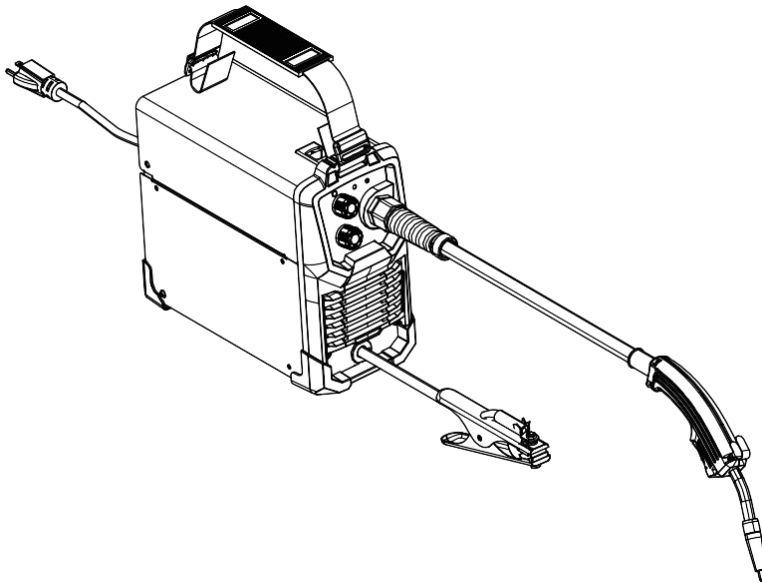
ÉQUIPEMENT DE CONTRÔLE DES VAPEURS DE SOUDURE

Le fonctionnement de l'équipement de contrôle des émanations de soudage est affecté par divers facteurs, notamment l'utilisation et le positionnement adéquats de l'équipement, l'entretien de l'équipement ainsi que la procédure et l'application spécifiques de soudage. Le niveau d'exposition des travailleurs doit être vérifié lors de l'installation et périodiquement par la suite pour être certain qu'il se situe dans les limites TLV de l'ACGIH et PEL de l'OSHA applicables.



Manual del operador

WELD-PAK 90i FC



Para su uso con los números de producto:

13397



Registre su máquina:
www.lincolnelectric.com/register

Localizador de servicios y distribuidores autorizados:
www.lincolnelectric.com/locator

Guárdelo para referencia futura

Fecha de compra

Código: (por ejemplo: 10859)

Número de serie: (p. ej.: U1060512345)

¿Necesita ayuda? Llame al 1.888.935.3877
para hablar con un representante de servicio

Horario:
De lunes a viernes, de 8:00 a. m. a 6:00 p. m. (hora del Este de EE. UU.)

¿Fuera de horario?
Utilice "Ask the Experts" (Pregunte a los expertos) en lincolnelectric.com
Un representante de servicio de Lincoln se pondrá en contacto con usted más tarde el siguiente día hábil.

Para servicio fuera de los EE. UU.:
Correo electrónico: globalservice@lincolnelectric.com

GRACIAS POR SELECCIONAR UN PRODUCTO DE CALIDAD DE LINCOLN ELECTRIC.

EXAMINE INMEDIATAMENTE LA CAJA Y EL EQUIPO PARA COMPROBAR SI PRESENTAN DAÑOS

Cuando se embarca este equipo, la posesión de este pasa al comprador en cuanto es recibido por el transportista. Por consiguiente, el comprador debe realizar las reclamaciones por material dañado durante el envío en contra de la compañía transportista al momento de recibir el envío.

LA SEGURIDAD DEPENDE DE USTED

El equipo de corte y soldadura por arco de Lincoln está diseñado y fabricado pensando en la seguridad. Sin embargo, su seguridad general puede incrementarse mediante la instalación adecuada... y una operación atenta de su parte.

NO INSTALE, UTILICE NI REPARE ESTE EQUIPO SIN LEER ESTE MANUAL Y LAS PRECAUCIONES DE SEGURIDAD CONTENIDAS EN ÉL. Y, lo que es más importante, piense antes de actuar y tenga cuidado.

ADVERTENCIA

Esta declaración aparece cuando se debe seguir la información exactamente para evitar lesiones personales graves o pérdida de vida.

PRECAUCIÓN

Esta declaración aparece cuando se debe seguir la información para evitar lesiones personales menores o daños en este equipo.



MANTENGA LA CABEZA ALEJADA DE LOS VAPORES.

NO se acerque demasiado al arco. Utilice lentes correctoras si es necesario para mantener una distancia razonable del arco.

LEA y obedezca la hoja de datos de seguridad (safety data sheet, SDS) y la etiqueta de advertencia que aparece en todos los contenedores de los materiales de soldadura.

UTILICE VENTILACIÓN SUFICIENTE o un escape en el arco, o ambos, para mantener los vapores y gases lejos de su zona de respiración y del área en general.

EN UNA HABITACIÓN GRANDE O AL AIRE LIBRE, la ventilación natural puede ser adecuada si mantiene la cabeza lejos de los vapores (ver a continuación).

UTILICE CORRIENTES NATURALES DE AIRE o ventiladores para mantener los vapores alejados del rostro.

Si desarrolla síntomas inusuales, consulte con su supervisor. Quizás sea necesario comprobar la atmósfera del área de soldadura y el sistema de ventilación.



USE PROTECCIÓN ADECUADA PARA OJOS, OÍDOS Y CUERPO

PROTÉJASE los ojos y la cara con un casco de soldadura correctamente colocado y con la placa de filtro de grado adecuado (consulte ANSI Z49.1).

PROTEJA su cuerpo de las salpicaduras de soldadura y arcos eléctricos con ropa protectora, incluyendo ropa de lana, un delantal a prueba de llamas y guantes, protectores para piernas de cuero y botas altas.

PROTEJA a los demás de salpicaduras, arcos y el resplandor con pantallas o barreras protectoras.



EN ALGUNAS ÁREAS, puede ser apropiado protegerse del ruido.

ASEGÚRESE de que el equipo de protección esté en buenas condiciones.

Además, use **SIEMPRE** lentes de seguridad en la zona de trabajo.



SITUACIONES ESPECIALES

NO SUELDE NI CORTE contenedores o materiales que previamente hayan estado en contacto con sustancias peligrosas a menos que se limpien adecuadamente. Esto es extremadamente peligroso.

NO SUELDE NI CORTE piezas pintadas o chapadas a menos que se hayan tomado precauciones especiales con la ventilación. Se pueden liberar vapores o gases altamente tóxicos.

Medidas preventivas adicionales

PROTEJA los cilindros de gas comprimido del calor excesivo, choques mecánicos y arcos; fije bien los cilindros para que no puedan caerse.

ASEGÚRESE de que los cilindros nunca estén conectados a tierra ni sean parte de un circuito eléctrico.

ELIMINE todos los riesgos potenciales de incendio de las áreas de soldadura.

MANTENGA SIEMPRE EL EQUIPO CONTRA INCENDIOS LISTO PARA USO INMEDIATO Y SEPA CÓMO UTILIZARLO.



SECCIÓN A: ADVERTENCIAS



ADVERTENCIAS DE LA PROPOSICIÓN 65 DE CALIFORNIA



ADVERTENCIA: Respirar el escape de motores diésel lo expone a químicos conocidos por el estado de California como causantes de cáncer y defectos congénitos u otros daños reproductivos.

- Arranque y utilice el motor siempre en un área bien ventilada.
- Si está en un área expuesta, ventile el escape hacia el exterior.
- No modifique ni manipule el sistema de escape.
- No ponga en reposo el motor excepto cuando sea necesario.

Para obtener más información, visite www.P65warnings.ca.gov/Diesel

ADVERTENCIA: Cuando se utiliza para soldadura o corte, este producto genera vapores o gases que contienen sustancias químicas conocidas por el estado de California como causantes de defectos congénitos y, en algunos casos, cáncer. (Código de Salud y Seguridad de California § 25249.5 *et seq.*)



ADVERTENCIA: Cáncer y daño reproductivo www.P65warnings.ca.gov

LA SOLDADURA DE ARCO PUEDE SER PELIGROSA. PROTÉJASE USTED Y A LOS DEMÁS DE POSIBLES LESIONES SERIAS O LA MUERTE. MANTENGA A LOS NIÑOS ALEJADOS. LAS PERSONAS CON MARCAPASOS DEBEN CONSULTAR A SU MÉDICO ANTES DEL USO.

Lea y comprenda los siguientes puntos de seguridad. Para obtener información de seguridad adicional, se recomienda ampliamente que adquiera una copia de "Seguridad en la soldadura y corte: estándar ANSI Z49.1" de la American Welding Society, P.O. Box 351040, Miami, Florida 33135 o el estándar CSA W117.2. Se encuentra disponible una copia gratuita del folleto E205 "Seguridad para la soldadura de arco" de Lincoln Electric Company, 22801 St. Clair Avenue, Cleveland, Ohio 44117-1199.

ASEGÚRESE DE QUE SOLO LAS PERSONAS CALIFICADAS LLEVEN A CABO LOS PROCEDIMIENTOS DE INSTALACIÓN, OPERACIÓN, MANTENIMIENTO Y REPARACIÓN.



PARA EQUIPOS MOTORIZADOS.

- 1.a. Apague el motor antes de solucionar problemas y hacer trabajo de mantenimiento a menos que se requiera que esté activado.
- 1.b. Opere los motores en áreas abiertas, bien ventiladas o ventile en exteriores los humos del escape del motor.
- 1.c. No agregue el combustible cerca de un arco de soldadura con flama abierta o cuando el motor esté en funcionamiento. Detenga el motor y deje que se enfríe antes de recargar combustible para evitar que el combustible derramado se evapore al entrar en contacto con partes calientes del motor y se encienda. No derrame combustible mientras llena el tanque. Si así sucede, límpielo y no arranque el motor hasta que se hayan eliminado los vapores.
- 1.d. Mantenga las guardas de seguridad, las cubiertas y los dispositivos del equipo en su lugar y en buen estado. Mantenga las manos, el cabello, la ropa y las herramientas lejos de las bandas V, engranes, ventiladores y otras partes en movimiento cuando arranque, opere o repare el equipo.
- 1.e. En algunos casos, puede ser necesario quitar las guardas de seguridad para llevar a cabo el mantenimiento requerido. Quite las protecciones solo cuando sea



necesario y vuelva a colocarlas cuando termine el mantenimiento que requiera la extracción. Siempre sea demasiado cuidadoso cuando trabaje cerca de partes móviles.

- 1.f. No coloque las manos cerca del ventilador con motor. No intente anular el regulador o la polea presionando las barras de control de estrangulamiento mientras está funcionando el motor.
- 1.g. Para evitar el arranque accidental de motores de gasolina mientras se hace girar el motor o el generador de soldadura durante el trabajo de mantenimiento, desconecte los cables de las bujías, la tapa del distribuidor o el cable del imán, según convenga.
- 1.h. Para evitar el calentamiento, no quite la tapa de presión del radiador cuando el motor esté caliente.
- 1.i. Usar un generador en interiores PUEDE MATARLO EN MINUTOS.
- 1.j. El escape del generador contiene monóxido de carbono. Este es un veneno que no se puede ver ni oler.
- 1.k. NUNCA lo use dentro de una casa o garaje, AUNQUE las puertas y ventanas estén abiertas.
- 1.l. Úselo solo EN EXTERIORES y lejos de ventanas, puertas y conductos de ventilación.
- 1 m Evite otros peligros del generador. LEA EL MANUAL ANTES DE USARLO.



LOS CAMPOS ELÉCTRICOS Y MAGNÉTICOS PUEDEN SER PELIGROSOS



- 2.a. La corriente eléctrica que fluye por cualquier conductor provoca campos eléctricos y magnéticos localizados (electric and magnetic fields, EMF). Las corrientes de soldadura crean campos EMF alrededor de los cables y las máquinas de soldadura.
- 2.b. Los campos EMF pueden interferir con algunos marcapasos; los soldadores con marcapasos deben consultar a su médico antes de soldar.
- 2.c. La exposición a los campos EMF en la soldadura pueden tener otros efectos en la salud que no sean conocidos.
- 2.d. Todos los soldadores deben utilizar los siguientes procedimientos para minimizar la exposición a los campos EMF del circuito de soldadura:
 - 2.d.1. Enrute el electrodo y los cables de trabajo juntos; asegúrelos con cinta cuando sea posible.
 - 2.d.2. Nunca enrolle el cable del electrodo alrededor de su cuerpo.
 - 2.d.3. No se coloque en medio del electrodo y los cables de trabajo. Si el cable del electrodo está a su derecha, el cable de trabajo también debe estar a su derecha.
 - 2.d.4. Conecte el cable de trabajo en la pieza de trabajo lo más cerca posible al área que se va a soldar.
 - 2.d.5. No trabaje junto a una fuente de energía para soldar.



LOS CHOQUES ELÉCTRICOS PUEDEN PROVOCAR LA MUERTE.



- 3.a. El electrodo y los circuitos de trabajo (o de tierra) están eléctricamente "calientes" cuando la soldadora está encendida. No toque estas partes "calientes" con la piel descubierta o con ropas húmedas. Utilice guantes secos y sin orificios para aislar las manos.
- 3.b. Aíslese del trabajo y la tierra utilizando aislamiento seco. Asegúrese de que el aislamiento sea lo suficientemente grande para cubrir el área completa de contacto físico con el trabajo y la tierra.

Además de las precauciones normales de seguridad, si la soldadura debe hacerse en condiciones eléctricas peligrosas (en ubicaciones húmedas o mientras se utilicen vestimentas mojadas; en estructuras de metal como pisos, rejas o andamios; estando en posiciones incómodas como cuando esté sentado, arrodillado o acostado, si existe un alto riesgo de contacto accidental inevitable con la pieza de trabajo o la tierra) utilice el siguiente equipo:

- Soldadora semiautomática de CC con voltaje constante (alambre).
 - Soldadora CC manual (varilla).
 - Soldadora CA con control de voltaje reducido.
- 3.c. En la soldadura con alambre automática o semiautomática, el electrodo, el carrete del electrodo, el cabezal de soldadura, la boquilla o la pistola de soldadura semiautomática también pueden estar eléctricamente conectadas.
 - 3.d. Siempre asegúrese de que el cable de trabajo tenga una conexión eléctrica buena con el metal que se va a soldar. La conexión debe ser tan cercana como sea posible al área que se va a soldar.
 - 3.e. Haga tierra con el trabajo o el metal que se va a soldar con una buena tierra eléctrica (tierra).
 - 3.f. Mantenga el sujetador del electrodo, la pinza de trabajo, el cable de soldadura y la máquina de soldadura en condiciones de operación buenas y seguras. Reemplace el aislamiento dañado.
 - 3.g. Nunca sumerja el electrodo en agua para enfriarlo.
 - 3.h. Nunca toque simultáneamente las partes "calientes" de los sujetadores de electrodos conectados a dos soldadoras ya que el voltaje entre los dos puede ser el total del voltaje del circuito abierto de ambas soldadoras.
 - 3.i. Cuando trabaje arriba del nivel del piso, utilice una banda de seguridad para protegerse de caídas si hay un choque.
 - 3.j. También vea los puntos 6.c. y 8.



LOS RAYOS DE ARCO PUEDEN QUEMAR.



- 4.a. Utilice una protección con el filtro adecuado y las placas de cubierta para proteger los ojos de las chispas y rayos del arco cuando suelde u observe una soldadura de arco abierta. Las protecciones para la cabeza y las lentes del filtro deben cumplir con la norma ANSI Z87. Estándares I.
- 4.b. Utilice la vestimenta adecuada hecha con material resistente a la flama para proteger su piel y la de sus ayudantes de los rayos de arco.
- 4.c. Proteja al personal cercano mediante una pantalla no inflamable adecuada y advierta a las personas que no deben mirar el arco ni exponerse a los rayos de este, a las salpicaduras o al metal caliente.



LOS VAPORES Y GASES PUEDEN SER PELIGROSOS.



- 5.a. La soldadura puede producir humos y gases peligrosos para la salud. Evite respirar estos humos y gases. Cuando suelde, mantenga la cabeza lejos de los vapores. Mantenga en el arco una ventilación o escape de aire suficiente para mantener los vapores y gases lejos de la zona de respiración. **Cuando suelde recubrimientos duros (vea instrucciones en el empaque o SDS) o acero revestido con plomo o cadmio y otros metales o recubrimientos que puedan producir vapores altamente tóxicos, limite la exposición al nivel más bajo posible y dentro de los límites aplicables de OSHA PEL y ACGIH TLV utilizando un escape local o ventilación mecánica a menos que las evaluaciones de exposición indiquen lo contrario. En espacios confinados o en algunos casos, en espacios exteriores, se requiere hacer el trabajo con respiradores. Se pueden requerir precauciones adicionales cuando suelde en acero galvanizado.**
- 5.b. La operación del equipo de control de vapores de soldadura se ve afectada por distintos factores que incluyen el uso y la colocación apropiados del equipo, el mantenimiento del equipo y el procedimiento específico de soldadura, además de la aplicación involucrada. El nivel de exposición del trabajador será revisado al momento de la instalación y periódicamente después de eso para estar seguros de que se encuentra dentro de los límites aplicables de la OSHA PEL y de ACGIH TLV.
- 5.c. No suelde en ubicaciones cerca de vapores de hidrocarburo clorado que vienen del desgrasado, limpieza u operaciones de rociado. El calor y los rayos del arco pueden reaccionar con los vapores del solvente para formar fosgeno, un gas altamente tóxico y otros productos irritantes.
- 5.d. Los gases de protección utilizados para la soldadura de arco pueden desplazar el aire y provocar lesiones o la muerte. Siempre tenga suficiente ventilación, especialmente en áreas confinadas, para asegurar que el aire respirable es seguro.
- 5.e. Lea y comprenda las instrucciones del fabricante de este equipo y de los consumibles que va a utilizar, como la Hoja de datos de seguridad (SDS), y siga las prácticas de seguridad de su empleador. Las hojas de SDS están disponibles con su distribuidor de soldadura o con el fabricante.
- 5.f. También vea el punto 1.b.



LAS CHISPAS DE SOLDADURA Y CORTE PUEDEN PROVOCAR INCENDIOS O EXPLOSIONES.



- 6.a. Elimine los riesgos de incendio de las áreas de soldadura. Si esto no es posible, cúbralas para evitar que las chispas de la soldadura provoquen un incendio. Recuerde que las chispas de la soldadura y los materiales calientes de la soldadura pueden entrar fácilmente en pequeñas fisuras y aberturas hacia las áreas adyacentes. Evite soldar cerca de líneas hidráulicas. Tenga un extintor de incendios disponible.
- 6.b. Cuando se utilicen gases comprimidos en el sitio del trabajo, tome precauciones especiales para evitar situaciones peligrosas. Consulte "Seguridad en la soldadura y el corte" (ANSI estándar Z49.1) y la información operacional del equipo que se va a utilizar.
- 6.c. Cuando no esté soldando, asegúrese de que ninguna parte del circuito del electrodo toque el trabajo o la tierra. El contacto accidental puede provocar el sobrecalentamiento y provocar un peligro de incendio.
- 6.d. No caliente, corte o suelde tanques, tambores o contenedores hasta que se hayan seguidos los pasos adecuados para asegurar que tales procedimientos no provocarán vapores inflamables o tóxicos de las sustancias internas. Pueden provocar una explosión aunque se hayan "despejado". Para obtener más información, adquiera "Prácticas de seguridad recomendadas para la preparación de la soldadura y los cortes de contenedores y tubería que contienen sustancias peligrosas", AWS F4.1 de American Welding Society (ver la dirección que aparece más arriba).
- 6.e. Ventile forjados huecos o contenedores antes de calentar, cortar o soldar. Estos pueden explotar.
- 6.f. La soldadura lanza chispas y salpicaduras. Utilice vestimentas de protección sin aceite como guantes de piel, camisas pesadas, pantalones sin dobladillo, zapatos altos y una capucha sobre el cabello. Utilice protecciones para los oídos cuando suelde fuera de posición o en lugares confinados. Siempre utilice lentes de seguridad con protecciones laterales cuando se encuentre en el área de soldadura.
- 6.g. Conecte el cable de trabajo en la pieza de trabajo lo más cerca posible al área que se va a soldar, conforme sea práctico. Los cables de trabajo conectados al marco del edificio u otras ubicaciones lejos del área de soldadura aumentan la posibilidad de que la corriente de soldadura pase por las cadenas de elevación, los cables de la grúa u otros circuitos alternos. Esto puede ocasionar peligros de incendios, cadenas o cables de elevación sobrecalentados hasta que fallen.
- 6.h. También vea el punto 1.c.
- 6.i. Lea y siga NFPA 51B "Estándar para la prevención de incendios durante la soldadura, el corte y otros trabajos con calor", que se puede obtener de la Asociación Nacional para la Prevención de Incendios (National Fire Protection Association, NFPA), 1 Batterymarch Park, PO box 9101, Quincy, MA 022690-9101.
- 6.j. No utilice una fuente de energía de soldadura para descongelar una tubería.



EI CILINDRO PUEDE EXPLOTAR SI ESTÁ DAÑADO.

- 7.a. Utilice solo cilindros de gas comprimido que contengan el gas de protección adecuado para el proceso utilizado y los reguladores operacionales adecuados diseñados para el gas y la presión que se utilizan. Todas las mangueras, accesorios, etc., deben ser adecuados para la aplicación y deben mantenerse en buenas condiciones.
- 7.b. Siempre mantenga los cilindros en posición recta y seguramente encadenados a una carrocería o soporte fijo.
- 7.c. Los cilindros deben estar en las siguientes ubicaciones:
 - Lejos de áreas en donde puedan averiarse o estén sujetos a daño físico.
 - A una distancia segura de la soldadura de arco o de las operaciones de corte y cualquier otra fuente de calor, chispas o flama.
- 7.d. Nunca permita que el electrodo, el sujetador del electrodo o cualquier otra parte "caliente" toque el cilindro.
- 7.e. Mantenga la cabeza y la cara lejos de la salida de la válvula del cilindro cuando abra la válvula.
- 7.f. Las tapas de protección para válvulas siempre deben estar ubicadas correctamente y apretadas a mano cuando los cilindros no estén en uso o conectados para su uso.
- 7.g. Lea y siga las instrucciones en los cilindros de gas comprimido, en el equipo asociado y la publicación P-I de CGA "Precauciones para un manejo seguro de gases comprimidos en los cilindros", disponible de la Compressed Gas Association, 14501 George Carter Way Chantilly, VA 20151.



PARA EQUIPO ALIMENTADO CON ELECTRICIDAD.



- 8.a. Apague la energía utilizando el interruptor de desconexión y la caja de fusibles antes de trabajar en el equipo.
- 8.b. Instale el equipo de acuerdo con el Código Eléctrico Nacional de EE. UU., todos los códigos locales y las recomendaciones del fabricante.
- 8.c. Haga tierra en el equipo de acuerdo con el Código Eléctrico Nacional de EE. UU., todos los códigos locales y las recomendaciones del fabricante.

Consulte

<http://www.lincolnelectric.com/safety>
para obtener información de seguridad adicional.

ÍNDICE

Descripción del producto	3
Instalación	4
Especificaciones técnicas	4
Las características de primera, incluyen las siguientes:	4
Elija la ubicación adecuada	5
Esmerilado.....	5
Estiba.....	5
Transporte: Descarga	5
Inclinación.....	5
Clasificación ambiental	5
Conexión de la alimentación.....	6
Carga y enhebrado del alambre	7
Operación	9
Operación de la máquina.....	10
Lista de piezas de repuesto	11
Mantenimiento	12
Mantenimiento de rutina y periódico	12
Diagnóstico y resolución de problemas	12
Cómo utilizar la guía de solución de problemas	12

DESCRIPCIÓN DEL PRODUCTO

RESUMEN DEL PRODUCTO

Weld-Pak® 90i FC es una máquina soldadora de CD de voltaje constante clasificada para 90 amperes, 18.5 voltios a un ciclo de trabajo al 30 %. La unidad Weld-Pak® está destinada a talleres de fabricación, mantenimiento, hogar y taller de carrocería. La unidad cuenta con una funda portátil y resistente. La interfaz del usuario cuenta con dos perillas, una para el voltaje y otra para la velocidad de alimentación del cable. Weld-Pak® 90i FC está diseñada para el mercado norteamericano y funciona con una potencia monofásica de 120 V a 60 Hz. Aquí en la placa de características muestra una descripción general de las capacidades de entrada y salida de la máquina.

La máquina cuenta con los siguientes accesorios:

- WP150Lgun
- Cable de trabajo con abrazadera
- Boquillas de contacto de repuesto
- Tabla de procedimientos y literatura

90i FC		Número de código:		Número de serie:	
		CSA C22.2 No.60974-1:19 ANSI/NEMA/IEC 60974-1-2019			
		30A/15.5 V a 120 A/20 V			
		X	30 %	60 %	100 %
	$U_0=45V$	I_2	90 A	64A	50A
		U_2	18.5 V	17.2 V	16.5 V
 1-60 Hz	$U_1=120V$	$I_{1max}=21A$	$I_{1eff}=11.5A$		
IP21S					

INSTALACIÓN

ESPECIFICACIONES TÉCNICAS – K5255-1 WELD-PAK 90i FC

INTERVALO DE CORRIENTE DE SALIDA
30-12 A
VOLTAJE DEL CIRCUITO ABIERTO
V (RMS)
CIRCUITO DE ENTRADA
120 V CA
CICLO DE TRABAJO
30 % a 90 A

VELOCIDAD DE ALIMENTACIÓN DEL ALAMBRE
0 a 200 IPM
DIÁMETRO DE CABLE ADECUADO
0.030", 0.035" (0.8 cm, 0.9 cm)
PESO BRUTO
7 kg (15 lb)
CLASIFICACIÓN IPS
IP21S

LAS CARACTERÍSTICAS DE PRIMERA, INCLUYEN LAS SIGUIENTES:

1. Fuente de alimentación del inversor: más eficiente de operar y con características de soldadura más parejas que las soldadoras tradicionales
2. Voltaje de soldadura infinito para permitir ajustes finos de las características de soldadura
3. 30 % del ciclo de trabajo a 90 A
4. Ligera y portátil: Ideal para soldadores de mantenimiento e itinerantes

PROTECCIÓN TÉRMICA

La máquina tiene un ciclo de trabajo de salida máximo de 30 %. Si se excede el ciclo de trabajo, el protector térmico apagará la salida hasta que la máquina se enfríe a una temperatura de funcionamiento normal. Esta es una función automática de la máquina y no requiere intervención del usuario.

ACCESORIOS NECESARIOS

- Casco
- Chaqueta
- Guantes

Lea esta sección de instalación completa antes de comenzar.

Precauciones de seguridad

No intente utilizar este equipo hasta que haya leído detenidamente toda la información de instalación, funcionamiento y mantenimiento suministrada con su equipo. Incluye importantes precauciones de seguridad e instrucciones detalladas de funcionamiento y mantenimiento.

ADVERTENCIA

Las DESCARGAS ELÉCTRICAS pueden ser mortales.

- Solo el personal calificado debe realizar esta instalación.
- No toque las partes electrificadas.
- Conecte siempre la máquina a una red eléctrica con conexión a tierra.



ELIJA LA UBICACIÓN ADECUADA

Coloque la soldadora en un lugar donde el aire de enfriamiento limpio pueda circular libremente a través de las ventilas traseras y delanteras. Debe mantenerse al mínimo la suciedad, el polvo o cualquier material extraño que pudiera entrar en la soldadora por las ventilas. No respetar estas precauciones puede generar temperaturas de operación excesivas y causar fallas en la planta.

ESMERILADO

No dirija las partículas de esmerilado hacia la soldadora. La abundancia de material conductor puede provocar fallas en la planta.

ESTIBA

Esta máquina no se puede estibar.

TRANSPORTE: DESCARGA

Nunca subestime el peso del equipo; jamás lo mueva o deje suspendido en el aire por encima de otras personas. La máquina debe levantarse y transportarse con ayuda de la correa incluida o sosteniéndola en los brazos. La máquina no se debe sujetar por la entrada, el cable de alimentación, los cables de salida o la pistola de soldar. Para evitar lesiones, utilice técnicas de elevación adecuadas cuando transporte o levante la máquina.

ADVERTENCIA

La caída del equipo puede provocar lesiones. Nunca levante la soldadora con el cilindro de gas acoplado. Nunca la levante por encima de otras personas.



INCLINACIÓN

La máquina debe colocarse sobre una superficie nivelada y segura

CLASIFICACIÓN AMBIENTAL

La fuente de poder de soldadura ostenta la clasificación IP21S. Puede utilizarse en entornos industriales y comerciales normales. Evite el uso en lugares donde haya agua o lluvia.

Lea y siga las "Advertencias de descarga eléctrica" en la sección de seguridad si la soldadura debe realizarse en condiciones eléctricamente peligrosas, como en áreas húmedas o con la pieza de trabajo mojada.

ADVERTENCIA

Las DESCARGAS ELÉCTRICAS pueden ser mortales.

- Esta soldadora debe estar conectada a tierra



PRECAUCIÓN

El generador de alta frecuencia, que es similar a un transmisor de radio, puede causar interferencias en radios, televisores y otros equipos electrónicos.



- Estos problemas pueden ser el resultado de interferencias radiadas. Los métodos de conexión a tierra adecuados pueden reducir o eliminar las interferencias.

La interferencia radiada puede generarse de las siguientes maneras:

1. Interferencia directa de la fuente de alimentación de la soldadora
2. Interferencia directa por los electrodos de soldadura
3. Interferencia directa irradiada por retroalimentación en las líneas eléctricas
4. Interferencia por rerradiación de objetos metálicos sin conexión a tierra

Teniendo en cuenta estos factores contribuyentes, la instalación del equipo conforme a las siguientes instrucciones debe minimizar los problemas.

1. Mantenga las líneas de alimentación de entrada de la soldadora lo más cortas posible y encierre la mayor cantidad posible de estas en un conducto metálico o blindaje equivalente. Debe haber buen contacto eléctrico entre este conducto y la tierra.
2. Mantenga los cables de trabajo y del electrodo lo más cortos posible. Una los cables con cinta adhesiva cuando le sea práctico
3. Asegúrese de que las cubiertas de hule de los cables de tierra y del soplete no tengan cortes ni grietas que permitan fugas de potencia de soldadura
4. Mantenga en buenas condiciones funcionales la conexión a tierra: limpie con frecuencia el área del banco de trabajo donde se encuentra la pinza de tierra.

CONEXIÓN DE LA ALIMENTACIÓN

La máquina tiene una conexión de entrada: el cable de alimentación eléctrica. El cable de alimentación se encuentra en la parte trasera.

La Weld-Pak 90i FC viene con un cable de 120 V, de 1.8 m (6.0 pies) de largo, con un enchufe 5-15P de 15 A, moldeado sobre el cable.

La salida nominal de la Weld-Pak 90i FC está disponible cuando se conecta a un circuito de derivación de 20 A. Si se conecta a un circuito de derivación de menor capacidad, se deben utilizar una corriente de soldadura más baja y un ciclo de trabajo más ligero.

REQUISITOS NOMINALES DE LAS CONEXIONES DE ALIMENTACIÓN ELÉCTRICA

ADVERTENCIA

Esta máquina de soldar debe estar conectada a una fuente de energía que cumpla con los códigos eléctricos aplicables.

En el Código Eléctrico Nacional [de Estados Unidos] se indican los estándares de capacidad de amperaje de los conductores de alimentación con base en el ciclo de trabajo de la fuente de soldadura.

Si tiene preguntas sobre una instalación que cumpla los requisitos de los reglamentos y códigos eléctricos vigentes, consulte con un electricista calificado.

ADVERTENCIA

No conecte la máquina a una fuente de alimentación de entrada con un voltaje nominal superior a 125 V.

No retire la clavija de tierra del cable de alimentación.

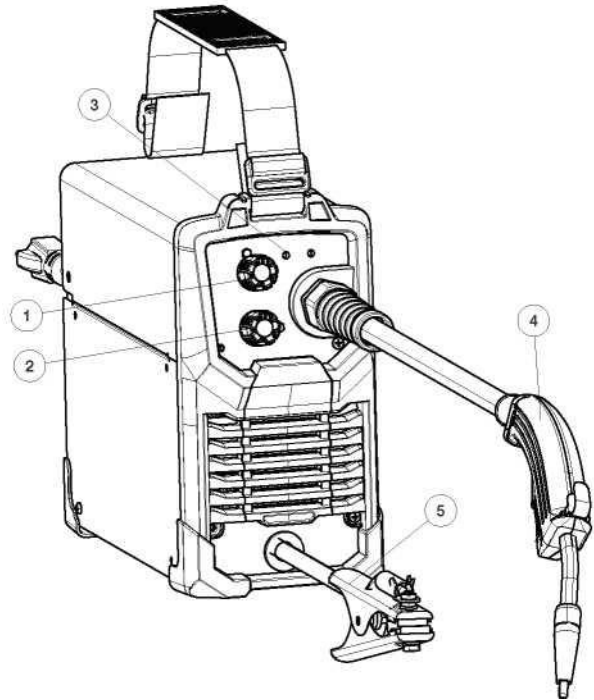
USO DEL CABLE DE EXTENSIÓN

Si se requiere un cable de extensión, use uno que esté clasificado para la aplicación y sea de 3 conductores n.º 14 AWG (2,1 mm²) o mayor. Las longitudes máximas recomendadas son 25 ft (7.5 m) si se utiliza n.º 14 AWG (2,1 mm²) y 15 m (50 ft) si se utiliza n.º 12 AWG (3,3 mm²).

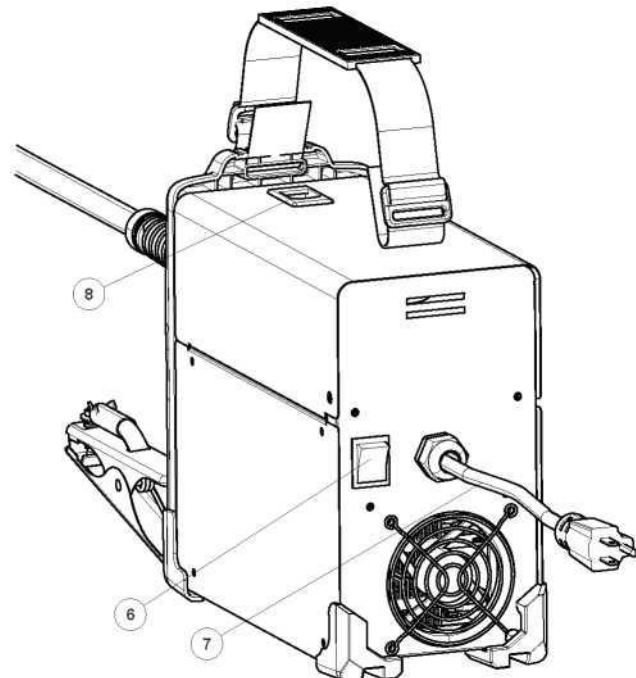
SOLDADURA CON NÚCLEO DE FUNDENTE (BLINDADO)

El electrodo recomendado para el proceso con núcleo de fundente autoblandado es el Lincoln Innershield NR-211-MP, de 0,9 mm (0,035") de diámetro, en carretes de 0,5 kg (1 lb).

FIGURA 1



1. Ajuste del voltaje
2. Ajuste de la velocidad de avance del alambre
3. LED de alimentación y protección
4. Soplete sin gas con núcleo de fundente
5. Pinza de trabajo



6. Interruptor de alimentación
7. Cable de alimentación
8. Pestillo de la cubierta del carrete

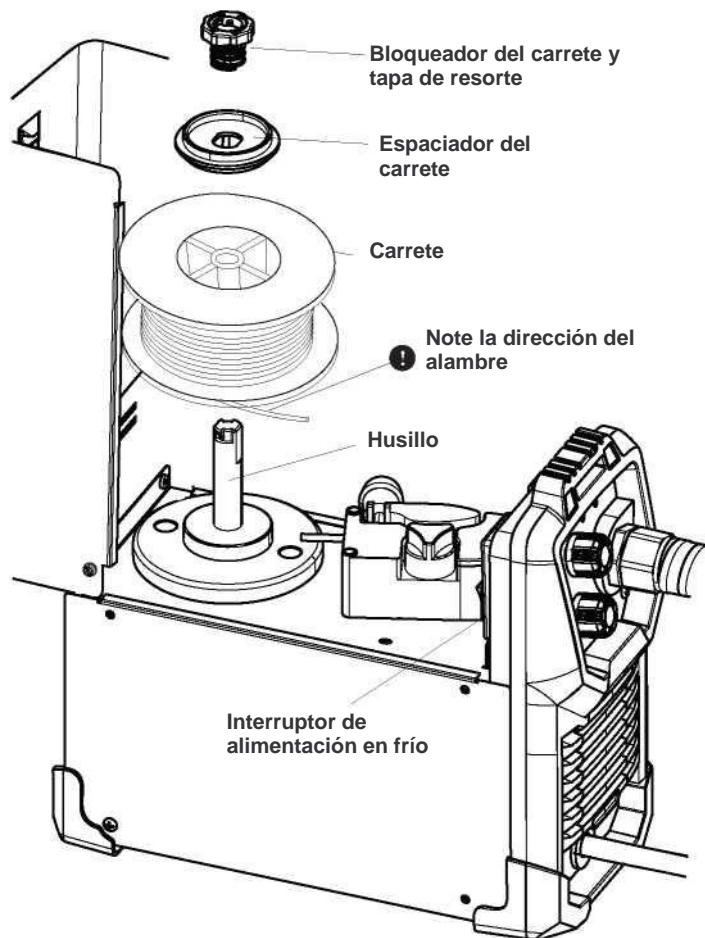
CARGA Y ENHEBRADO DEL ALAMBRE

Consulte la Figura 2.

Ponga el interruptor de encendido de la máquina en la posición de apagado ("0") antes de trabajar en el interior de la carcasa de alimentación de alambre.

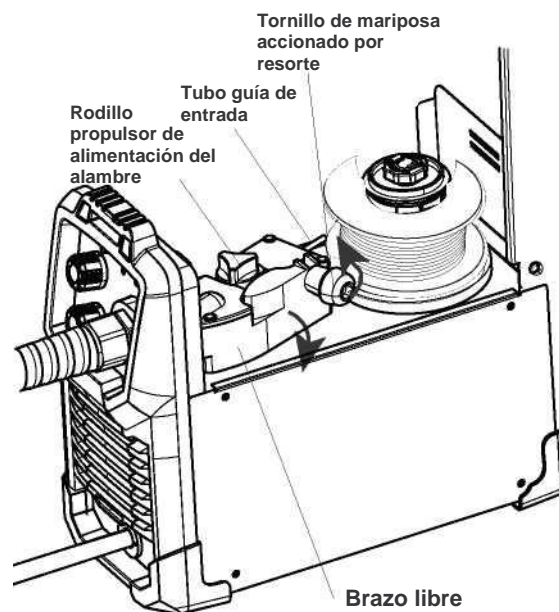
Asegúrese de que el rodillo propulsor de alimentación de alambre y la punta de contacto de la pistola coincidan con el diámetro y tipo de alambre utilizado.

1. Empuje el carrete sobre el husillo, de modo que el alambre salga por la parte inferior del carrete, hacia el rodillo propulsor.
2. Empuje el separador del carrete sobre el husillo, contra el carrete.
3. Deslice el resorte sobre el carrete; luego, presione el bloqueador del carrete, girándolo hacia la derecha, para bloquear el conjunto del carrete sobre el husillo.

FIGURA 2**DETALLES DE ENHEBRADO DEL ALAMBRE**

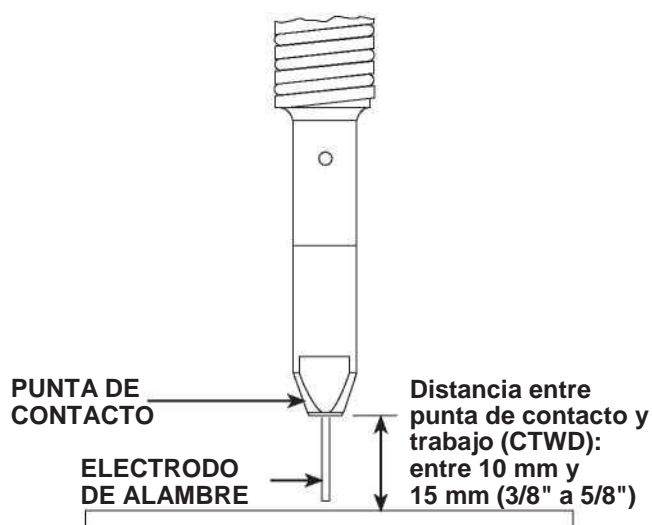
Consulte la Figura 3.

4. Afloje el tornillo de mariposa accionado por resorte y gire el brazo del rodillo de giro libre en dirección contraria al rodillo propulsor de alimentación de alambre. Asegúrese de que el tamaño visiblemente calcado en un costado del rodillo propulsor que queda hacia usted coincida con el tamaño del alambre que está utilizando.
5. Separe con cuidado el extremo del alambre del carrete. Mantenga tensión en el alambre para evitar que el carrete se desenrolle, y no suelte el alambre hasta después del paso 5.
6. Corte la parte doblada del alambre y enderece los primeros 100 mm (4").
7. Pase el alambre a través del tubo de guía entrante, sobre el rodillo propulsor, e introdúzcalo en el revestimiento de la pistola.
8. Cierre el brazo del rodillo de giro libre y apriete el tornillo de mariposa hasta que el rodillo de giro libre presione firmemente el alambre (ahora puede liberar el alambre de soldar). Asegúrese de que el alambre se encuentre en la ranura del rodillo propulsor inferior.
9. El tornillo de mariposa accionado por resorte en el brazo del rodillo de giro libre ajusta la presión sobre el alambre. Ajuste la presión girando el tornillo de mariposa para evitar que el carrete gire de más, pero permitiendo una alimentación fácil y uniforme del alambre. Comience con la presión ajustada en un valor intermedio. Si es necesario, vuelva a ajustar. Si el rodillo propulsor patina al alimentar el alambre, aumente la presión hasta que el alambre corra como es debido.

FIGURA 3

PROYECCIÓN DEL ALAMBRE

10. Retire la punta de contacto y la boquilla de la pistola.
11. Encienda la máquina ("I").
12. Enderece el conjunto del cable de la pistola.
13. Presione el interruptor de alimentación en frío y pase el alambre de soldadura a través de la pistola y el cable. (Apunte la pistola en dirección contraria a usted y a otras personas mientras alimenta el alambre). Suelte el interruptor de alimentación en frío una vez que el alambre aparezca en el extremo de la pistola.
14. Apague la máquina.
15. Sustituya la boquilla y la punta de contacto. Consulte la Figura B-4 Corte el alambre de manera que sobresalga entre 10 mm y 15 mm (3/8" a 5/8") más allá del extremo de la punta.
16. Encienda la máquina. La máquina ahora está lista para soldar.

FIGURA 4

OPERACIÓN

Lea y entienda toda esta sección antes de operar su CrossLine Remote.

SÍMBOLOS GRÁFICOS UTILIZADOS EN ESTE MANUAL O POR ESTA MÁQUINA

	ALIMENTACIÓN DE ENTRADA		
	ON	U_0	VOLTAJE DEL CIRCUITO ABIERTO
	OFF	U_1	VOLTAJE DE ENTRADA
	ALTA TEMPERATURA	U_2	VOLTAJE DE SALIDA
	DISYUNTOR	I_1	CORRIENTE DE ENTRADA
	ALIMENTADOR DE ALAMBRE	I_2	CORRIENTE DE SALIDA
	SALIDA POSITIVA		TIERRA DE PROTECCIÓN
	SALIDA NEGATIVA		ADVERTENCIA o PRECAUCIÓN
	INVERSOR		EXPLOSIÓN
	ALIMENTACIÓN DE ENTRADA		VOLTAJE PELIGROSO
	CORRIENTE DIRECTA		Riesgo de descarga 1

Precauciones de seguridad

No intente utilizar este equipo sin haber leído detenidamente todos los manuales de funcionamiento y mantenimiento suministrados con su equipo y cualquier máquina de soldadura relacionada con la que se vaya a utilizar. Incluyen importantes precauciones de seguridad e instrucciones detalladas de funcionamiento y mantenimiento.

⚠ ADVERTENCIA

Las DESCARGAS ELÉCTRICAS pueden ser mortales.

- No toque piezas eléctricas como las terminales de salida o el cableado interno.
- Aíslese del trabajo y de la tierra.
- Use siempre guantes aislantes secos.



Las CHISPAS DE SOLDADURA pueden provocar incendios o explosiones.

- Mantenga el material inflamable alejado.
- No suelde sobre contenedores que hayan retenido combustibles.



Los RAYOS DEL ARCO pueden quemar.

- Use protección de ojos, oídos y cuerpo.



Las EMANACIONES Y LOS GASES pueden ser peligrosos.

Aunque la eliminación de las partículas sólidas del humo de la soldadura puede reducir el requisito de ventilación, las concentraciones de emanaciones y gases de escape incoloros pueden ser peligrosos para la salud. Evite respirar concentraciones de estos vapores y gases. Utilice una ventilación adecuada al soldar. Consulte ANSI Z49.1, "Seguridad en soldadura y corte", publicado por la Sociedad Americana de Soldadura.



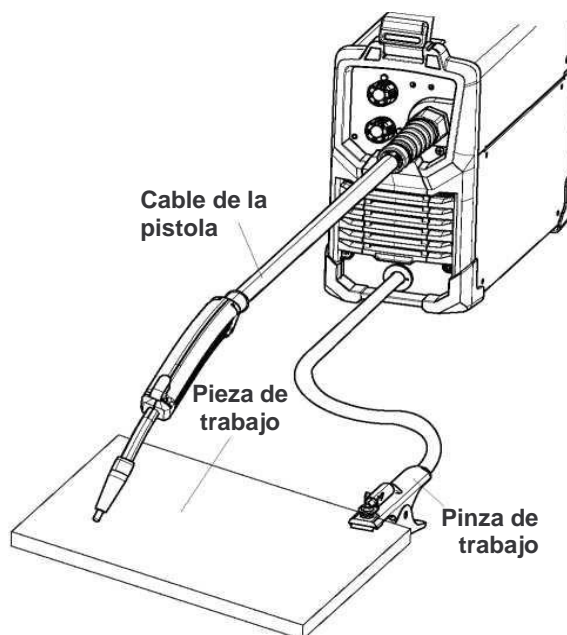
OPERACIÓN DE LA MÁQUINA

Una vez que configure la máquina de acuerdo con las instrucciones, consulte la Tabla

B.1 y la etiqueta de procedimiento ubicada en el interior de la puerta del compartimento del propulsor de alambre de la máquina, para conocer la información de configuración, los consumibles y algunos consejos rápidos de soldadura.

1. Seleccione el voltaje de soldadura (potencia) según el grosor del material de la pieza de trabajo, como se indica en el panel frontal.
2. Seleccione la velocidad de alimentación del alambre necesaria con la perilla de "velocidad del alambre".
3. Asegúrese de usar la indumentaria y el equipo de seguridad adecuados para soldar (p. ej., careta de soldar, guantes, delantal, etc.)

FIGURA 5



4. Conecte la pinza de trabajo al metal que se va a soldar. La pinza de trabajo debe hacer buen contacto eléctrico con la pieza de trabajo. La pieza de trabajo también debe estar conectada a tierra, como se indica en Precauciones de seguridad para la soldadura por arco, al principio de este manual.
5. Según el tipo y orientación de la unión soldada, posicione la pistola en el ángulo correcto con respecto a dicha unión.
6. Para comenzar a soldar, levante la mirilla manual o baje el casco para protegerse los ojos y apriete el gatillo.
7. Durante la soldadura, desplácese a velocidad constante y mantenga una proyección del electrodo de 10 mm (3/8").
8. Para dejar de soldar, suelte el gatillo de la pistola.
9. Al concluir la soldadura, apague la máquina.

TABLA B.1

FCAW sin gas (con núcleo de fundente)							
Alambre de soldar	0.030 Lincoln NR-211-MP (alambre con núcleo de fundente blindado)			0.035 Lincoln NR-211-MP (alambre con núcleo de fundente blindado)			
Punta de contacto	0.030 (0.8 mm) - N.º de pieza de Lincoln KH711			0.035 (0.9 mm) - N.º de pieza de Lincoln KH712			
Rodillo propulsor	Ranura estriada de 0.030/0.035 (0.8 mm/0.9 mm); N.º de pieza de Lincoln KP4364-035						
Carga del alambre	Recuerde: Retire la punta de contacto antes de cargar el alambre Mantenga tensión en el alambre para evitar que el carrete se desenrede.						
	<ol style="list-style-type: none"> Corte la parte doblada del alambre y enderece los primeros 10 cm (4") para insertarlos en los rodillos y la pistola. Suelde el brazo de presión cargado con resorte y gire el brazo del rodillo de giro libre para alejarlo del rodillo propulsor. Pase el alambre a través del tubo de guía, sobre el rodillo propulsor, e introdúzcalo en el revestimiento de la pistola. Cierre el brazo de giro libre. 						
Tensión de alimentación del alambre	Los ajustes de velocidad de alimentación del alambre que se sugieren en la tabla siguiente se basan en una configuración de tensión del alambre de valor intermedio. La tensión se puede cambiar si es necesario para mejorar la alimentación del alambre; sin embargo, podría ser necesario ajustar el WFS conforme a los valores de la tabla siguiente.						
Configuración sugerida para la soldadura	SIN GAS, CON ALAMBRE NR-211	Calibre 20 0,9 mm	Calibre 18 1,2 mm	Calibre 16 1,6 mm	Calibre 14 2,1 mm	Calibre 1/8" 3,2 mm	
	0.030 NR-211	Voltaje	1.5	2.5	3	4	6
		WFS	3.5	5	7	8	10
	0.035 NR-211	Voltaje	--	2	3	4	6
WFS		--	3	4.5	6	10	
Consejos útiles	<p>Suelde a un ritmo constante</p> <p>NO haga oscilar el arco, ni hacia delante, ni hacia atrás ni hacia los lados</p> <p>Retire la escoria con el martillo de astillar para exponer la soldadura</p> <p>Para uniones de soldadura horizontales, recuerde: Mayor lentitud si se acumula escoria</p> <p>Consulte el manual para diagnosticar y resolver problemas de mala calidad en la soldadura</p>						
Dirección de la soldadura Y ángulo de la pistola con respecto a la dirección de la soldadura							
Ángulos correctos de la pistola para tipos de unión soldada comunes							
Proyección eléctrica	<p>Mantenga una proyección del electrodo de 10 mm (3/8") durante la soldadura.</p>						

LISTA DE PIEZAS DE REPUESTO

Punta de contacto (0.8 mm [0.030"])	KH711 (0.8 mm [0.030"])
Punta de contacto (0.9 mm [0.035"])	KH712 (0.9 mm [0.035"])
Rodillo propulsor	KP4364-035
Boquilla	KH726
Cable FCAW	LINCOLN 0.030 NR-211-MP
Cable FCAW	LINCOLN 0.035 NR-211-MP



ADVERTENCIA

El uso de esta unidad en materiales más gruesos de lo recomendado puede dar lugar a soldaduras de mala calidad. Las soldaduras pueden parecer buenas, pero podrían carecer de la fusión o unión necesaria para crear una soldadura fuerte. Esto se llama "fundición en frío" o "lamido en frío" y se asemeja a una unión de soldadura de estaño en frío. Puede haber una falla en la soldadura.

MANTENIMIENTO

ADVERTENCIA

Las DESCARGAS ELÉCTRICAS pueden ser mortales.

- Corte la alimentación en la fuente de poder de soldadura antes de la instalación o de cambiar los rodillos propulsores o las guías.
- No toque las partes electrificadas.
- Al apretar el gatillo de la pistola, el electrodo y el mecanismo de propulsión se conectan a la electricidad y la tierra al trabajar, y pueden permanecer energizados varios segundos después de soltar el gatillo.
- No opere la máquina con ninguna cubierta, tablero o guarda retirada o abierta.
- Solo el personal calificado debe realizar los trabajos de mantenimiento.



PUNTOS QUE NO REQUIEREN MANTENIMIENTO

- Motor propulsor y caja de engranajes: lubricación de por vida
- Husillo del carrete de alambre: NO lubricar el eje

MANTENIMIENTO DE RUTINA Y PERIÓDICO

- **ANTES DE CADA USO:** Compruebe la máquina y los accesorios en busca de condiciones evidentes que pudieran impedir una operación segura. Repare o reemplace los elementos según sea necesario para corregir cualquier condición anormal.

DESPUÉS DE 5 MINUTOS DE SOLDADURA, O CUANDO SE ACUMULEN SALPICADURAS EN LA PUNTA DE CONTACTO:

- **LIMPIEZA DE LA PUNTA Y LA BOQUILLA:** Con el interruptor de alimentación en la posición de apagado, limpie la boquilla y la punta de contacto para evitar que se forme un arco eléctrico entre ellas. El arqueo puede provocar un cortocircuito en la boquilla, soldaduras deficientes y sobrecalentamiento de la pistola. Sugerencia: El aerosol o gel antiadherente, que puede obtener de un proveedor de materiales de soldadura, puede reducir la acumulación y ayudar a eliminar las salpicaduras.

DIAGNÓSTICO Y RESOLUCIÓN DE PROBLEMAS

CÓMO UTILIZAR LA GUÍA DE SOLUCIÓN DE PROBLEMAS

ADVERTENCIA

El servicio y la reparación solo deben ser realizados por personal capacitado de Lincoln Electric Factory. Las reparaciones no autorizadas realizadas en este equipo pueden ser peligrosas para el técnico y el operador de la máquina e invalidará la garantía de fábrica. Por su seguridad y para evitar descargas eléctricas, aplique todas las notas y precauciones de seguridad detalladas en este manual.

Esta Guía de resolución de problemas le ayudará a localizar y reparar posibles averías en la máquina. Simplemente siga el procedimiento de tres pasos que se indica a continuación.

Paso 1. LOCALIZAR PROBLEMA (SÍNTOMA)

Mire la columna denominada "PROBLEMA (SÍNTOMAS)". Esta columna describe los posibles síntomas que la máquina puede presentar. Encuentre el concepto que mejor describa el síntoma que presenta la máquina.

Paso 2. CAUSA POSIBLE.

En la segunda columna, denominada "CAUSA POSIBLE", se enumeran las posibles causas externas evidentes que podrían contribuir al síntoma de la máquina.

Paso 3. CURSO DE ACCIÓN RECOMENDADO

En esta columna, se proporciona la acción para la causa posible; por lo general, se recomienda ponerse en contacto con su centro de servicio de campo autorizado local de Lincoln.

Si no entiende o no puede realizar el Curso de acción recomendado de forma segura, póngase en contacto con su Centro de servicio en campo local autorizado de Lincoln.

ADVERTENCIA

El CHOQUE ELÉCTRICO puede provocar la muerte.

- Apague la máquina en el interruptor de desconexión de la parte posterior de la máquina y retire las conexiones de la fuente de alimentación principal antes de realizar cualquier solución de problemas.



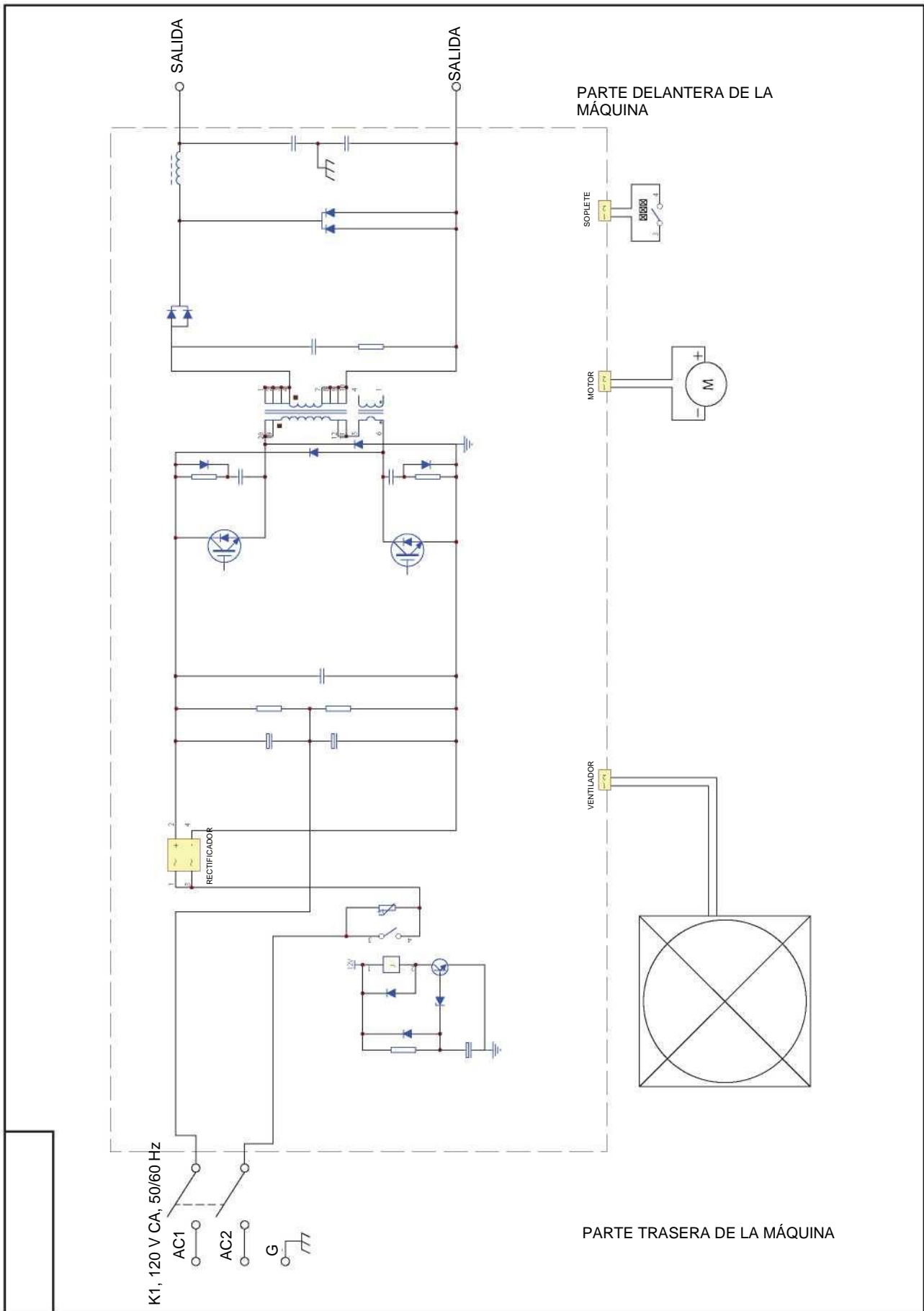
Lea todas las directrices de seguridad detalladas en este manual

PROBLEMA (SÍNTOMAS)	POSIBLES ÁREAS DE FALLAS DE AJUSTE	ACCIÓN RECOMENDADA
El cordón de soldadura es demasiado grueso (de forma intermitente).	La velocidad de desplazamiento es lenta o poco uniforme.	Aumente la velocidad de desplazamiento y manténgala constante.
	El intervalo de calor de salida es demasiado alto.	Reduzca el voltaje.
El cordón no penetra en el metal de base.	La velocidad de desplazamiento es poco uniforme.	Disminuya la velocidad de desplazamiento y manténgala constante.
	El intervalo de calor de salida es demasiado bajo.	Aumente el voltaje.
El alambre chisporrotea y se pega a la pieza de trabajo.	El alambre está húmedo.	Cambie por un alambre seco. Asegúrese de guardar el alambre en un lugar seco
	La velocidad de avance del alambre (WFS) es demasiado rápida.	Reduzca la WFS.
El borde de la soldadura tiene depresiones irregulares.	La velocidad de desplazamiento es demasiado rápida.	Reduzca la velocidad de desplazamiento
	La WFS es demasiado rápida.	Reduzca la WFS.
	El intervalo de calor de salida es demasiado alto.	Ponga el interruptor de Intervalo de calor bajo–alto en Bajo, o el Ajuste de calor fino en (1).



Si por algún motivo no entiende los procedimientos de prueba o no puede llevar a cabo las pruebas o reparaciones de forma segura, póngase en contacto con el Centro de servicio autorizado de Lincoln y solicite asistencia técnica de diagnóstico y solución de problemas antes de proceder.

WWW.LINCOLNELECTRIC.COM/LOCATOR



			
WARNING	<ul style="list-style-type: none"> Do not touch electrically live parts or electrode with skin or wet clothing. Insulate yourself from work and ground. 	<ul style="list-style-type: none"> Keep flammable materials away. 	<ul style="list-style-type: none"> Wear eye, ear and body protection.
Spanish AVISO DE PRECAUCION	<ul style="list-style-type: none"> No toque las partes o los electrodos bajo carga con la piel o ropa mojada. Aislese del trabajo y de la tierra. 	<ul style="list-style-type: none"> Mantenga el material combustible fuera del área de trabajo. 	<ul style="list-style-type: none"> Protégase los ojos, los oídos y el cuerpo.
French ATTENTION	<ul style="list-style-type: none"> Ne laissez ni la peau ni des vêtements mouillés entrer en contact avec des pièces sous tension. Isolez-vous du travail et de la terre. 	<ul style="list-style-type: none"> Gardez à l'écart de tout matériel inflammable. 	<ul style="list-style-type: none"> Protégez vos yeux, vos oreilles et votre corps.
German WARNUNG	<ul style="list-style-type: none"> Berühren Sie keine stromführenden Teile oder Elektroden mit Ihrem Körper oder feuchter Kleidung! Isolieren Sie sich von den Elektroden und dem Erdboden! 	<ul style="list-style-type: none"> Entfernen Sie brennbares Material! 	<ul style="list-style-type: none"> Tragen Sie Augen-, Ohren- und Körperschutz!
Portuguese ATENÇÃO	<ul style="list-style-type: none"> Não toque partes elétricas e electrodos com a pele ou roupa molhada. Isole-se da peça e terra. 	<ul style="list-style-type: none"> Mantenha inflamáveis bem guardados. 	<ul style="list-style-type: none"> Use proteção para a vista, ouvido e corpo.
Japanese 注意事項	<ul style="list-style-type: none"> 通電中の電気部品、又は溶材にヒフやぬれた布で触れないこと。 施工物やアースから身体が絶縁されている様にして下さい。 	<ul style="list-style-type: none"> 燃えやすいものの側での溶接作業は絶対にしてはなりません。 	<ul style="list-style-type: none"> 目、耳及び身体に保護具をして下さい。
Chinese 警告	<ul style="list-style-type: none"> 皮肤或湿衣物切勿接触带电部件及焊条。 使你自已与地面和工件绝缘。 	<ul style="list-style-type: none"> 把一切易燃物品移离工作场所。 	<ul style="list-style-type: none"> 佩戴眼、耳及身体劳动保护用具。
Korean 위험	<ul style="list-style-type: none"> 전도체나 용접봉을 젖은 헝겊 또는 피부로 절대 접촉치 마십시오. 모재와 접지를 접촉치 마십시오. 	<ul style="list-style-type: none"> 인화성 물질을 접근시키지 마십시오. 	<ul style="list-style-type: none"> 눈, 귀와 몸에 보호장구를 착용하십시오.
Arabic تحذير	<ul style="list-style-type: none"> لا تلمس الاجزاء التي يسري فيها التيار الكهربائي أو الألكترود بجلد الجسم أو بالملابس المبللة بالماء. ضع عازلا على جسمك خلال العمل. 	<ul style="list-style-type: none"> ضع المواد القابلة للاشتعال في مكان بعيد. 	<ul style="list-style-type: none"> ضع أدوات وملابس واقية على عينيك وأذنيك وجسمك.

READ AND UNDERSTAND THE MANUFACTURER'S INSTRUCTION FOR THIS EQUIPMENT AND THE CONSUMABLES TO BE USED AND FOLLOW YOUR EMPLOYER'S SAFETY PRACTICES.

SE RECOMIENDA LEER Y ENTENDER LAS INSTRUCCIONES DEL FABRICANTE PARA EL USO DE ESTE EQUIPO Y LOS CONSUMIBLES QUE VA A UTILIZAR, SIGA LAS MEDIDAS DE SEGURIDAD DE SU SUPERVISOR.

LISEZ ET COMPRENEZ LES INSTRUCTIONS DU FABRICANT EN CE QUI REGARDE CET EQUIPMENT ET LES PRODUITS A ETRE EMPLOYES ET SUIVEZ LES PROCEDURES DE SECURITE DE VOTRE EMPLOYEUR.

LESEN SIE UND BEFOLGEN SIE DIE BETRIEBSANLEITUNG DER ANLAGE UND DEN ELEKTRODENEINSATZ DES HER- STELLERS. DIE UNFALLVERHÜTUNGSVORSCHRIFTEN DES ARBEITGEBERS SIND EBENFALLS ZU BEACHTEN.

			
<ul style="list-style-type: none"> ● Keep your head out of fumes. ● Use ventilation or exhaust to remove fumes from breathing zone. 	<ul style="list-style-type: none"> ● Turn power off before servicing. 	<ul style="list-style-type: none"> ● Do not operate with panel open or guards off. 	WARNING
<ul style="list-style-type: none"> ● Los humos fuera de la zona de respiración. ● Mantenga la cabeza fuera de los humos. Utilice ventilación o aspiración para gases. 	<ul style="list-style-type: none"> ● Desconectar el cable de alimentación de poder de la máquina antes de iniciar cualquier servicio. 	<ul style="list-style-type: none"> ● No operar con panel abierto o guardas quitadas. 	Spanish AVISO DE PRECAUCION
<ul style="list-style-type: none"> ● Gardez la tête à l'écart des fumées. ● Utilisez un ventilateur ou un aspirateur pour ôter les fumées des zones de travail. 	<ul style="list-style-type: none"> ● Débranchez le courant avant l'entretien. 	<ul style="list-style-type: none"> ● N'opérez pas avec les panneaux ouverts ou avec les dispositifs de protection enlevés. 	French ATTENTION
<ul style="list-style-type: none"> ● Vermeiden Sie das Einatmen von Schweißrauch! ● Sorgen Sie für gute Be- und Entlüftung des Arbeitsplatzes! 	<ul style="list-style-type: none"> ● Strom vor Wartungsarbeiten abschalten! (Netzstrom völlig öffnen; Maschine anhalten!) 	<ul style="list-style-type: none"> ● Anlage nie ohne Schutzgehäuse oder Innenschutzverkleidung in Betrieb setzen! 	German WARNUNG
<ul style="list-style-type: none"> ● Mantenha seu rosto da fumaça. ● Use ventilação e exaustão para remover fumo da zona respiratória. 	<ul style="list-style-type: none"> ● Não opere com as tampas removidas. ● Desligue a corrente antes de fazer serviço. ● Não toque as partes elétricas nuas. 	<ul style="list-style-type: none"> ● Mantenha-se afastado das partes moventes. ● Não opere com os painéis abertos ou guardas removidas. 	Portuguese ATENÇÃO
<ul style="list-style-type: none"> ● ヒュームから頭を離すようにして下さい。 ● 換気や排煙に十分留意して下さい。 	<ul style="list-style-type: none"> ● メンテナンス・サービスに取りかかる際には、まず電源スイッチを必ず切して下さい。 	<ul style="list-style-type: none"> ● パネルやカバーを取り外したまま機械操作をしないで下さい。 	Japanese 注意事項
<ul style="list-style-type: none"> ● 頭部遠離煙霧。 ● 在呼吸區使用通風或排風器除煙。 	<ul style="list-style-type: none"> ● 維修前切斷電源。 	<ul style="list-style-type: none"> ● 儀表板打開或沒有安全罩時不準作業。 	Chinese 警告
<ul style="list-style-type: none"> ● 얼굴로부터 용접가스를 멀리하십시오. ● 호흡지역으로부터 용접가스를 제거하기 위해 가스제거기나 통풍기를 사용하십시오. 	<ul style="list-style-type: none"> ● 보수전에 전원을 차단하십시오. 	<ul style="list-style-type: none"> ● 패널이 열린 상태로 작동치 마십시오. 	Korean 위험
<ul style="list-style-type: none"> ● ابعد رأسك بعيداً عن الدخان. ● استعمل التهوية أو جهاز ضغط الدخان للخارج لكي تبعد الدخان عن المنطقة التي تننفس فيها. 	<ul style="list-style-type: none"> ● أقطع التيار الكهربائي قبل القيام بأية صيانة. 	<ul style="list-style-type: none"> ● لا تشغل هذا الجهاز إذا كانت الاغطية الحديدية الواقية ليست عليه. 	Arabic تحذير

LEIA E COMPREENDA AS INSTRUÇÕES DO FABRICANTE PARA ESTE EQUIPAMENTO E AS PARTES DE USO, E SIGA AS PRÁTICAS DE SEGURANÇA DO EMPREGADOR.

使う機械や溶材のメーカーの指示書をよく読み、まず理解して下さい。そして貴社の安全規定に従って下さい。

請詳細閱讀並理解製造廠提供的說明以及應該使用的銀焊材料，並請遵守貴方的有關勞動保護規定。

이 제품에 동봉된 작업지침서를 숙지하시고 귀사의 작업자 안전수칙을 준수하시기 바랍니다.

اقرأ بتمعن وافهم تعليمات المصنع المنتج لهذه المعدات والمواد قبل استعمالها واتبع تعليمات الوقاية لصاحب العمل.

POLÍTICA DE SERVICIO AL CLIENTE

El negocio de Lincoln Electric es la manufactura y venta de equipo de soldadura, sistemas de soldadura automatizados, consumibles y equipo de corte de alta calidad. Nuestro desafío es satisfacer las necesidades de nuestros clientes, quienes son expertos en sus respectivos campos, y superar sus expectativas. En ocasiones, los clientes pueden solicitar información a Lincoln Electric o información técnica sobre el uso de nuestros productos. Nuestros empleados responden a las consultas lo mejor que pueden con base en la información y especificaciones que les proporcionan los clientes y en el conocimiento que pueden tener con respecto a la aplicación. Sin embargo, nuestros empleados no están en la posición de verificar la información proporcionada, de evaluar ni de proporcionar asesoría de ingeniería con respecto a los requisitos de ingeniería de un proyecto de soldadura en particular. Por eso, Lincoln Electric no garantiza ni asume ninguna responsabilidad con respecto a dicha información o comunicaciones. Además, la expresión de dicha información o información técnica no crea, expande ni altera ninguna garantía sobre nuestros productos. Cualquier garantía expresa o implícita que pudiera surgir de la información o información técnica, incluyendo cualquier garantía implícita de comerciabilidad o cualquier garantía de idoneidad para el propósito particular de un cliente se rechaza específicamente.

Lincoln Electric es un fabricante responsable pero la definición de especificaciones así como la selección y el uso de los productos específicos vendidos por Lincoln Electric están únicamente dentro del control del cliente y son de su exclusiva responsabilidad.

Muchas variables que están fuera del control de Lincoln Electric afectan los resultados obtenidos al aplicar estos tipos de métodos de fabricación y requisitos de servicio.

EQUIPO DE CONTROL DE HUMOS DE SOLDADURA

La operación del equipo de control de vapores de soldadura se ve afectada por distintos factores que incluyen el uso y la colocación apropiados del equipo, el mantenimiento del equipo y el procedimiento específico de soldadura, además de la aplicación involucrada. El nivel de exposición del trabajador será revisado al momento de la instalación y periódicamente después de eso para estar seguros de que se encuentra dentro de los límites aplicables de la OSHA PEL y de ACGIH TLV.

