

Item Number: A02992

WARNING (To reduce the risk of fire, electric shock, or injury to persons):


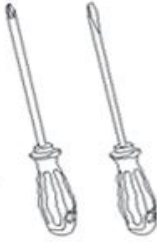

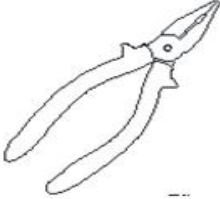

1. We suggest installation by a **licensed electrician**.
2. Please read the instruction carefully and save it as you may need it at later time.
3. Before you start, **NEVER** attempt any work without shutting off the electricity until the work is done. A). Go to the main fuse, or circuit breaker, box in your home. Place the main power switch in the **"OFF"** position. B). Place the wall switch in the **"OFF"** position.
4. Mounting surface should be clean, dry, flat, strong enough and 1/4" larger than the canopy on all side. Any gaps between the mounting surface and canopy exceeding 3/16" should be corrected as required.
5. Make sure that the ceiling or wall can stand the weight of the lamp before fixture.
6. Make sure the voltage you are using is **120V**. The maximum wattage is **Type A,Max 60W** per bulb.
7. Keep the lamp away from acidic and basic objects in case of damaging the surface of the lamp.
8. When replacing bulb, you should turn off or unplug the lamp and you must wait until it is cool as bulbs get hot quickly.
9. The safety instructions appearing in this manual are not meant to cover all possible conditions that may occur. It must be understood that common sense, caution and care must be used with any electrical products.

IMAGE FOR FINISHED PRODUCT:



TOOLS REQUIRED (NOT INCLUDED):

Before doing assembly and installation please prepare the needed tools as below picture

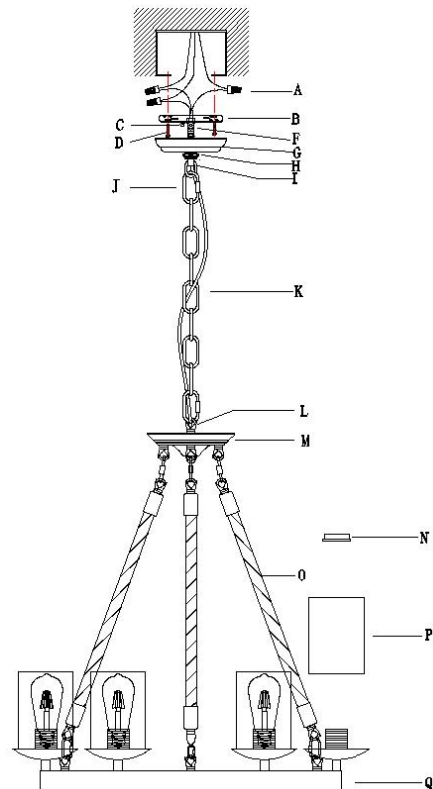
				
Ladder	Phillips head, flat blade screwdriver	Electrical tape	Pliers	Wire cutter/Stripper

PARTS TYPE & QTY INCLUDING:

- (B)Single bar (1)
- (C) Green ground screw (1)
- (E) Nipple (1)
- (F) Hex nut (2)
- (G)Canopy (1)
- (H) Threaded ring (1)
- (I) Screw collar loop (1)
- (J) Quick link (8)
- (K) Chain (1)
- (L) Loop (1)
- (M) Trim (1)
- (N) Socket ring (6)
- (O) Arm (3)
- (P) Glass (6)
- (Q) Fixture (1)

ACCESSORIES & QTY ENCLOSED:

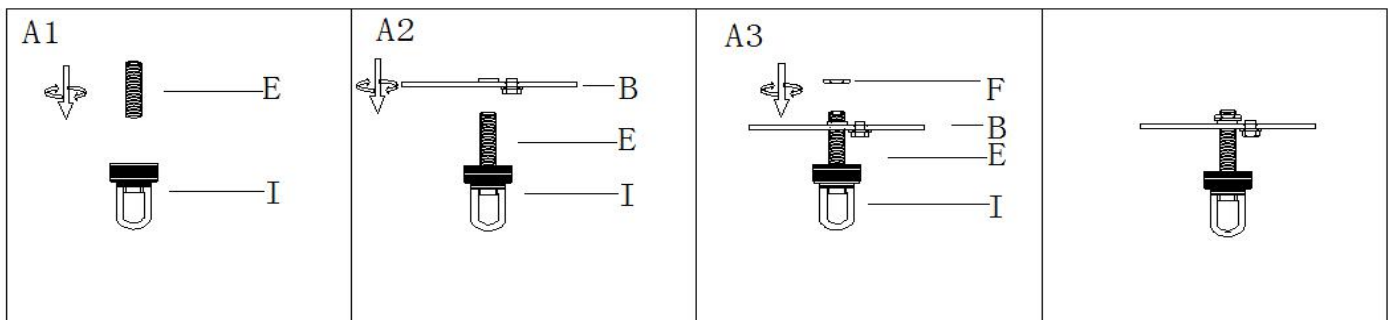
- (A)Plastic wire connector (3)
- (D) Mounting screw (2)



ASSEMBLY & INSTALLATION INSTRUCTIONS:

1. Carefully remove the fixture from the carton and check that all parts and accessories are included as shown in the above illustration
2. Make assembly

If the group of parts are not already assembled:

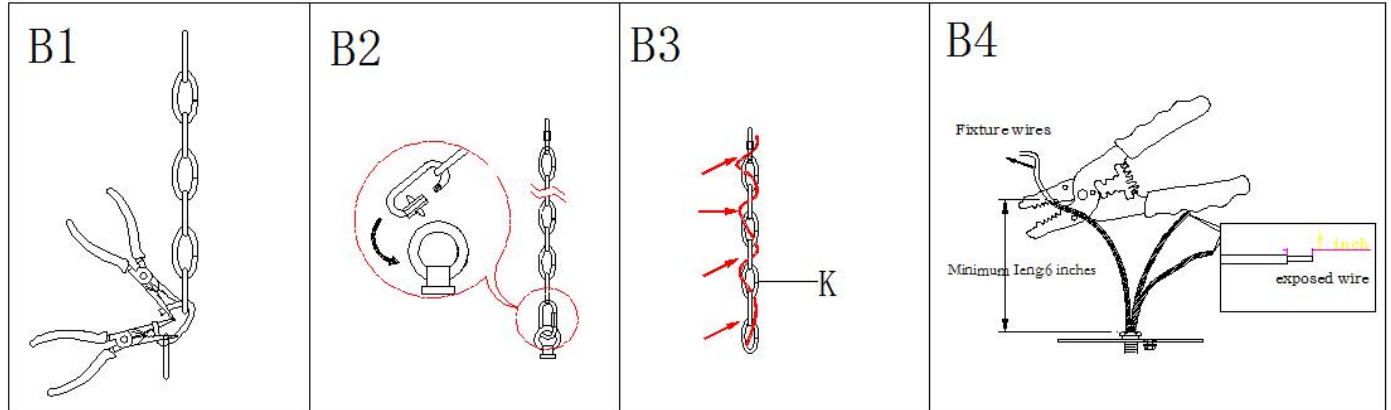


Step A1: Thread the nipple (E) into the screw collar loop (I)

Step A2: Thread the another end of nipple (E) into single bar (B) then place hex nut (F) over the top of nipple.

Step A3: Tighten the hex nut (F) until tight. At this point, the side of single bar marked "GND" must face to the screw collar loop (I).

3. Make pre-installation



Step B1: By measuring, determine the correct length of links needed. Use the chain pliers, cut and discard the remaining links.

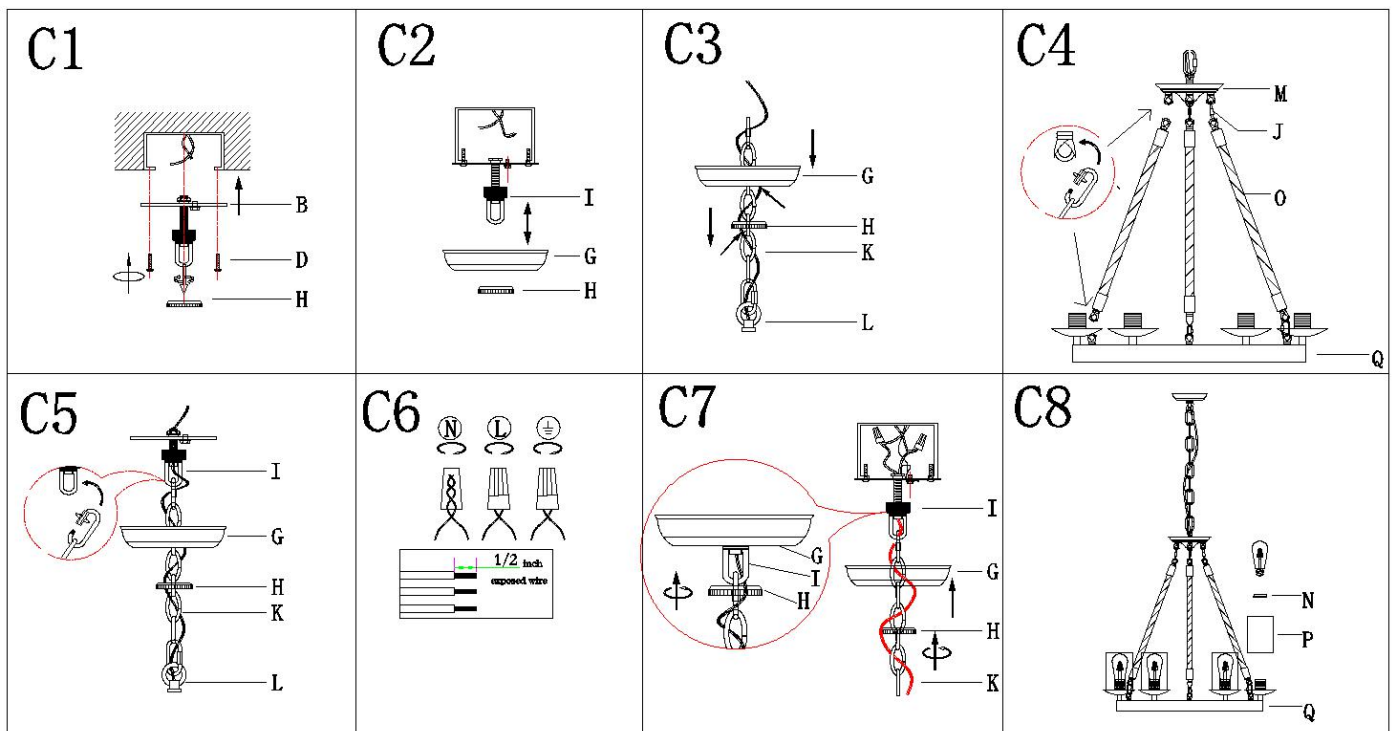
Step B2: Attach a quick link (J) to loop (L) on the top trim (M) and to connect the end of chain (K).

Step B3: Gently lace wires through chain (K) to the top of the another quick link (J)

Step B4: If needed, cut off the wires length of fixture. At this point, need take note of length should be available for the following mounting. the length from the top of nipple are at least 6"

4. Turn off power

5. Make installation



Step C1: Attach single bar (B) to outlet box with mounting screws (D). The side of single bar marked "GND" must face out

Step C2: Raise the canopy (G) through screw collar loop (I) and screw the collar loop (I) to a proper position by measuring .

Unscrew threaded ring (H) from screw collar loop (I) and remove the canopy (G). In this way, you would know the Proper position on which collar loop it should be located .

Step C3: Slip threaded ring(H) over the chain(K),then do the same with the canopy(G)

Step C4:Attach the Arm (O)to the side loop of top trim(M) and to the side loop of fixture(Q) with quick links(J).Do the same with others 2 arms(O)

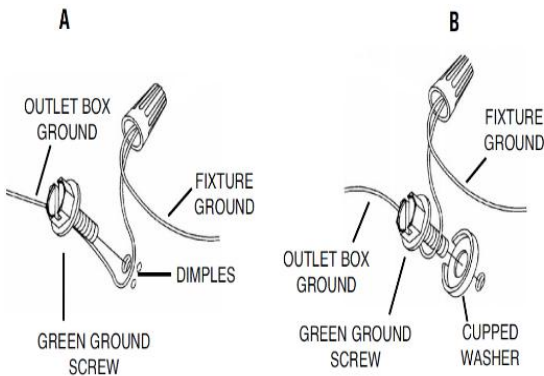
Step C5: Open the quick link (J)then attach to the collar loop(I). Close the quick link(J)

Step C6: Make wire connections

Connect wires as below wires connecting shown. **TAKE NOTE OF YOUR COLOR OF FIXTURE ,NEVER CONNECT WIRES TO GROUND WIRES**

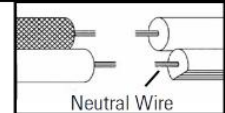
Connect ground wire according to below chart

Connect wires according to below chart



Connect Black or Red Supply Wire to:	Connect White Supply Wire to:
Black	White
*Parallel cord (round & smooth)	*Parallel cord (square & ridged)
Clear, Brown, Gold or Black without tracer	Clear, Brown, Gold or Black with tracer
Insulated wire (other than green) with copper conductor	Insulated wire (other than green) with silver conductor

*Note: When parallel wires (SPT I & SPT II) are used. The neutral wire is square shaped or ridged and the other wire will be round in shape or smooth (see illus.)



Twist plastic wire connector(A) until wires are tightly joined together,wrap each connector with approved electrical tape for more secure connection and carefully stuff all wires into the outlet box

Step C7: Raise canopy (G) to ceiling and secure canopy (G) in place by tightening threaded ring (H) onto collar loop(I)

Step C8: Place glass onto socket ,secure with socket ring (N)

Install bulb (not included) (Please do not exceed the maximum capacity recommended on the socket.)

6. Check everything already is installed properly, then you could turn on the light.

CLEANING

To clean, wipe fixture with a soft cloth. Clean glass with a mild soap. Do not use abrasive materials such as scouring pads or powders, steel wool or abrasive paper.

ORDERING PARTS

Keep this sheet for future reference, and in case you need to order replacement parts. All parts for this fixture can be ordered from place of purchase. Be sure to use exact wording from illustration when ordering parts.