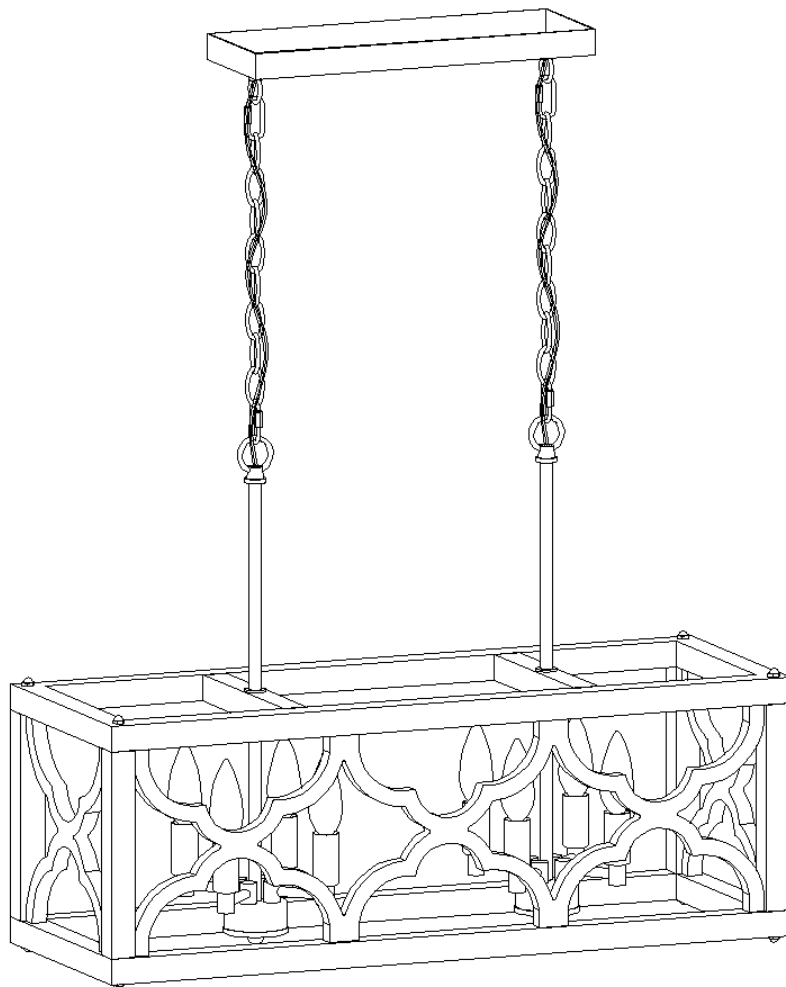


**Item Number: A04344**

**WARNING (To reduce the risk of fire, electric shock, or personal injury):**


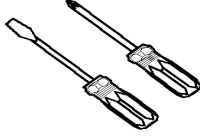

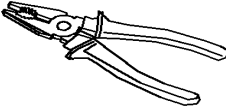
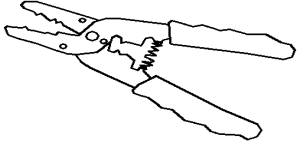
1. We suggest installation by a **licensed electrician**.
2. Please read the instruction carefully and save it as you may need it at a later time.
3. Before you start, **NEVER** attempt any work without shutting off the electricity until the work is done.
  - » Go to the main fuse, or circuit breaker, box in your home.  
Place the main power switch in the “**OFF**” position.
  - » Place the wall switch in the “**OFF**” position.
4. Mounting surface should be clean, dry, flat, strong enough and 1/4” larger than the canopy on all sides. Any gaps between the mounting surface and canopy exceeding 3/16” should be corrected as required.
5. Make sure that the ceiling or wall can stand the weight of the lamp before installation.
6. Make sure the voltage you are using is **120V**. The maximum wattage is **Type B, Max 40W** per bulb.
7. Keep the lamp away from acidic and alkaline substances in case of damaging the surface of the lamp.
8. When replacing bulbs, you should turn off or unplug the lamp and you must wait until it is cool as bulbs get hot quickly.
9. The safety instructions appearing in this manual are not meant to cover all possible conditions that may occur. It must be understood that common sense, caution and care must be used with any electrical products.

**IMAGE FOR FINISHED PRODUCT:**



**TOOLS REQUIRED (NOT INCLUDED):**

Before starting assembly and installation please prepare the needed tools as below picture

				
Ladder	Phillips head.flat blade screwdriver	Electrical tape	Pliers	Wire cutter/Stripper

**PARTS TYPE & QTY INCLUDING:**

- |                                 |                          |
|---------------------------------|--------------------------|
| (C) Mounting plate assembly (1) | (M) Nut (8)              |
| (F) Canopy (1)                  | (N) Upper frame (1)      |
| (G) Loop (4)                    | (O) Side frame (2)       |
| (H) Quick link (4)              | (P) Batten (4)           |
| (I) Ball knob (2)               | (Q) Front frame (2)      |
| (J) Chain (2)                   | (R) Stem (2)             |
| (K) Tube (2)                    | (S) Sockets assembly (2) |
| (L) Adapter (2)                 | (T) Lower frame (1)      |

**ACCESSORIES & QTY ENCLOSED:**

- (A) Wire connector (3)
- (B) Anchor (4)
- (D) Mounting screw (2)
- (E) Wood screw (4)

**ASSEMBLY & INSTALLATION INSTRUCTIONS:**

**1. Carefully remove the fixture from the carton and check that all parts and accessories are included as shown in the above illustration.**

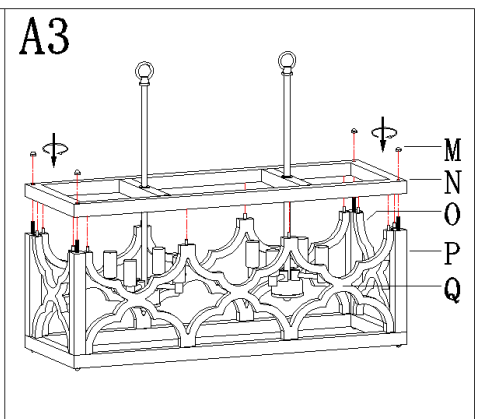
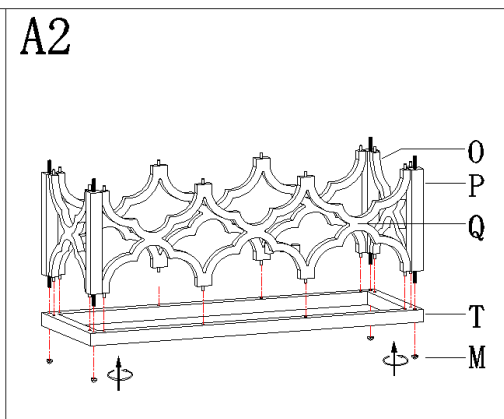
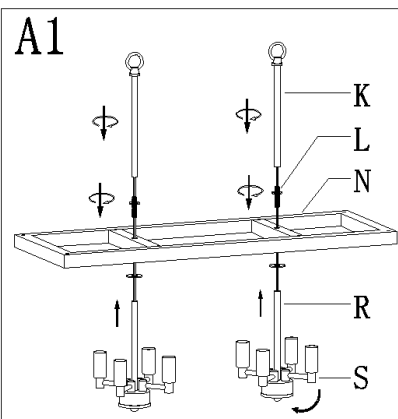
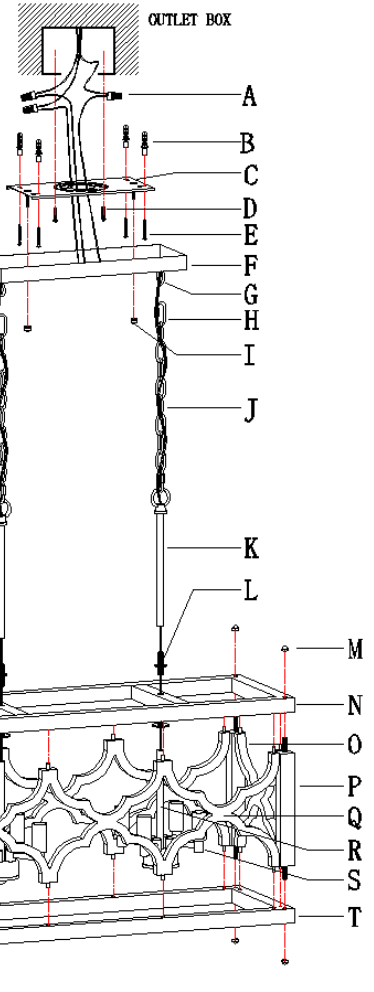
**2. Make pre-installation**

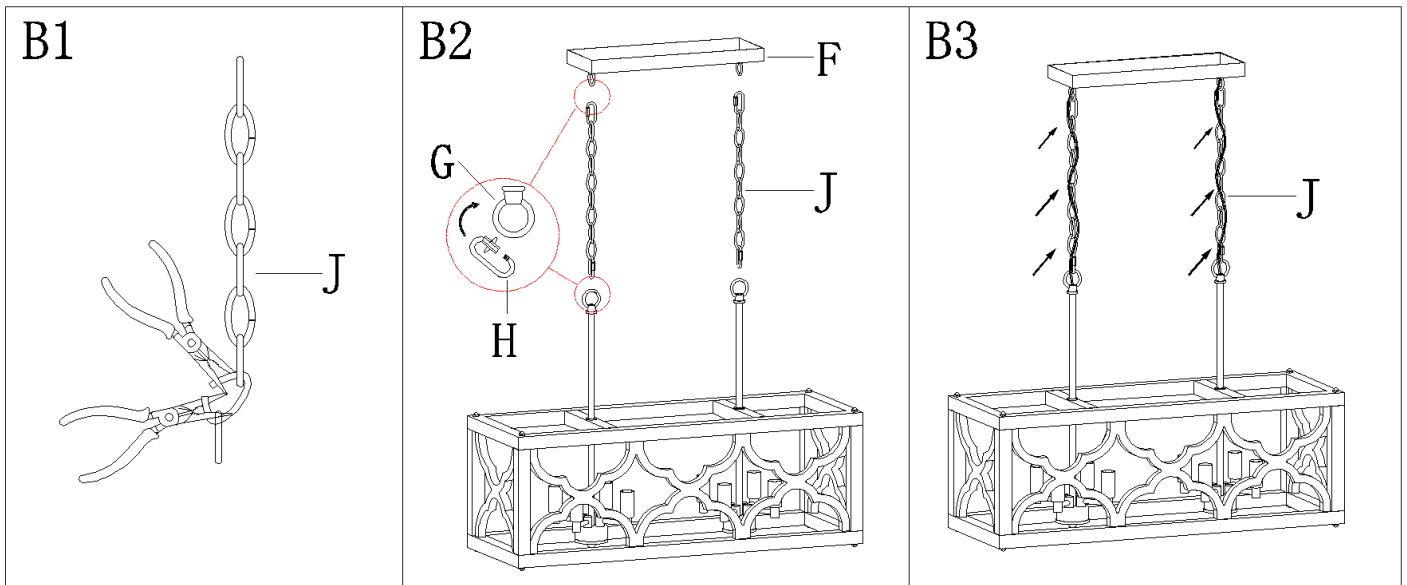
*Step A1* » Carefully pass the fixture wires through flat spacers, upper frame (N), adapters (L) and tubes (K), then screw adapters (L) and tubes (K) onto stems (R).

Adjust the angle of sockets assemblies (S).

*Step A2* » Insert battens (P), front frames (Q) and side frames (O) into lower frame (T), then secure them with nuts (M).

*Step A3* » Insert battens (P), front frames (Q) and side frames (O) into upper frame (N), then secure them with nuts (M).





**Step B1** » By measuring, determine the correct number of links needed for proper hanging height. Using the chain pliers, disconnect and discard the unwanted part.

**Step B2** » Attach quick links (H) to chains (J) and loops (G) on canopy (F) and the top of stems (K).

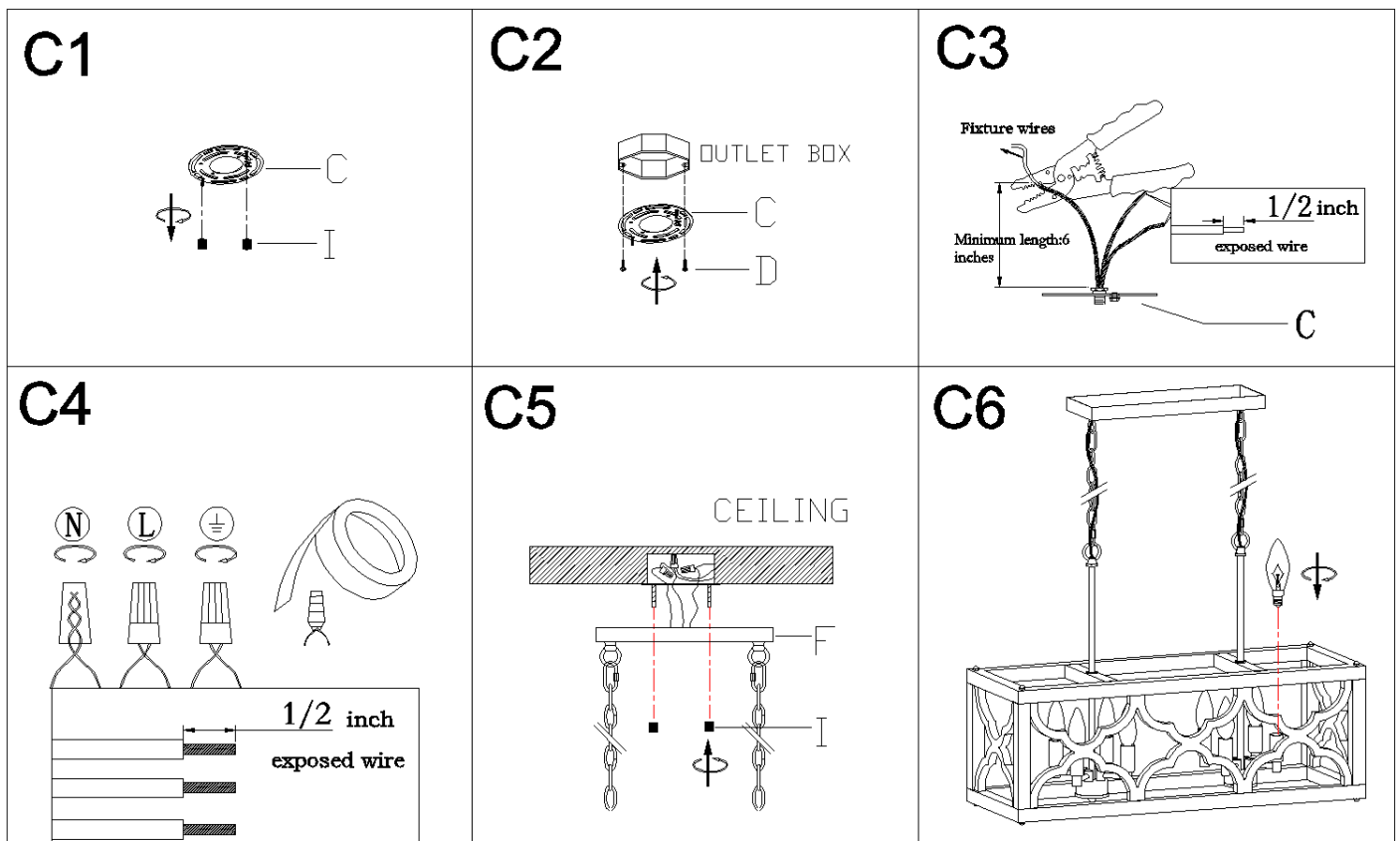
**Step B3** » Carefully weave the fixture wires through chains (J) in and out of every other link and stop just when you reach the top of chains (J).  
Gently pull the wires to ensure the wires are not stressed.

### 3. Turn off power

Before you start the installation, **NEVER** attempt any work without shutting off the electricity until the work is done.

- » Go to the main fuse, or circuit breaker, box in your home. Place the main power switch in the "OFF" position.
- » Place the wall switch in the "OFF" position.

### 4. Make installation



**Step B1** » Unscrew ball knobs (I) and carefully remove mounting plate assembly (C).

**Step B2** » Carefully pass the supply wires from the outlet box through mounting plate (C).

**NOTE: To drill the holes on the wall for anchors (B):**

- **Attach mounting plate (C) to the outlet box with mounting screws (D) and mark the holes.**
- **Unscrew mounting screws (D) and remove mounting plate (C).**
- **Drill holes and gently knock anchors (B) into the holes until anchors (B) are level with the wall.**

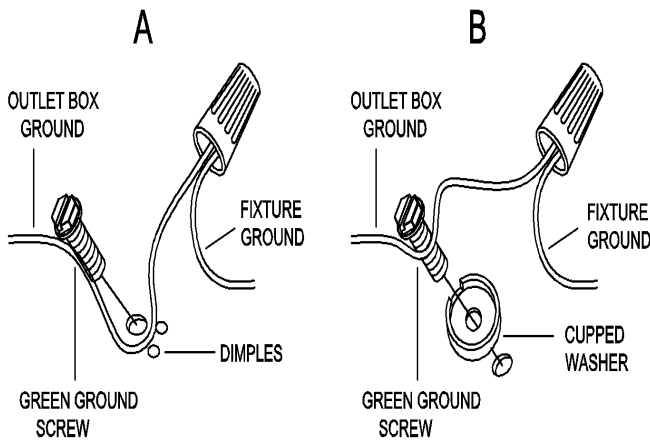
Secure mounting plate (C) to the outlet box with mounting screws (D) and wood screws (E).

**Step B3** » If needed, shorten the length of fixture wires. At this point, the remaining wire length measured above mounting plate assembly (C) is at least 6".

**Step B4** » Make wire connections

Connect wires as below wires connection shown. **PLEASE NOTE THAT GROUND WIRE IS BARE COPPER WIRE, NEVER CONNECT OTHER WIRES TO GROUND WIRES.**

Connect ground wires according to the below chart



Connect wires according to the below chart

Connect Black or Red Supply Wire to:	Connect White Supply Wire to:
Black	White
*Parallel cord ( round & smooth )	*Parallel cord ( square & ridged )
Clear,Brown,Gold or Black without tracer	Clear,Brown,Gold or Black with tracer
Insulated wire ( other than green ) with copper conductor	Insulated wire ( other than green ) with silver conductor

\*Note: When parallel wires ( SPT I & SPT II ) are used. The neutral wire is square shaped or ridged and the other wire will be round in shape or smooth ( see illus. )

Neutral Wire

**Twist wires together with plastic wire connectors until tightly joined, and wrap each connector with approved electrical tape. Be sure that no wire strands are exposed and then carefully tuck all wires into the outlet box.**

**Step B5** » Raise canopy (F) to the ceiling and secure canopy (F) in place by tightening ball knobs (I) onto the pre-assembled mounting screws on mounting plate assembly (C).

**NOTE: canopy (F) should be snug against the ceiling with ball knobs (I).**

**If not, remove canopy (F), adjust the threaded length of pre-assembled mounting screws on mounting plate assembly (C):**

- **First, unscrew the pre-assembled hex nuts.**
- **Then, screw the pre-assembled mounting screws in or out of mounting plate (C).**
- **When the secure length is achieved, tighten the pre-assembled hex nuts and back to Step B5.**

**Step B6** » Install bulbs (not included) (Please do not exceed the maximum wattage recommended on the socket.)

**5. Check everything is already installed properly, then you could turn on the light. Enjoy!**

### ORDERING PARTS

Keep this sheet for future reference in case you need to order replacement parts. All parts for this fixture can be ordered from the place of purchase. Be sure to use exact wording from illustration when ordering parts.

### CLEANING

To clean, wipe the fixture with a soft cloth. Do not use abrasive materials such as scouring pads or powders, steel wool or abrasive paper.