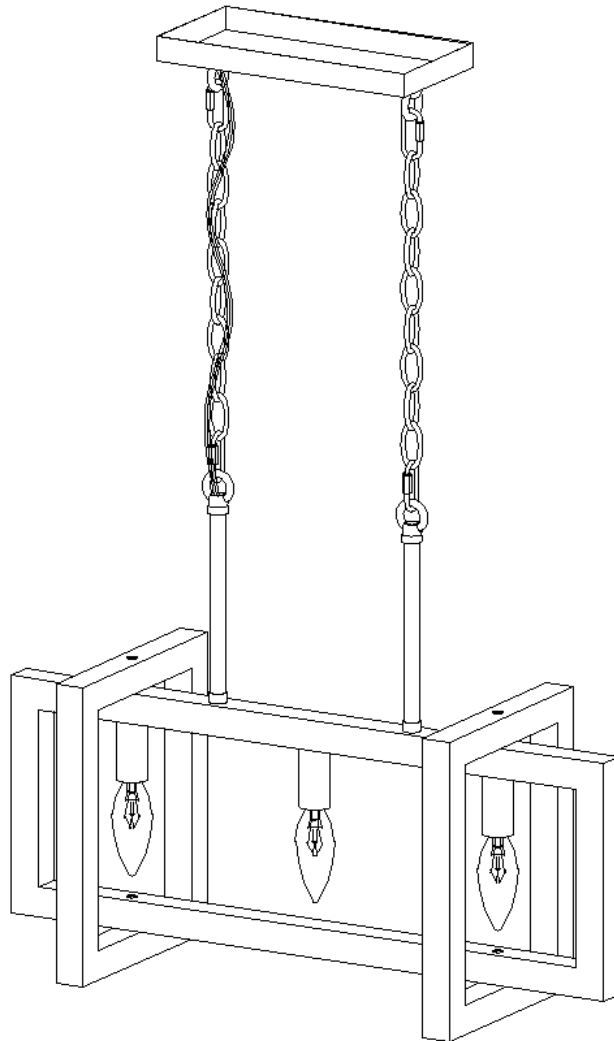


Item Number: A03989

WARNING (To reduce the risk of fire, electric shock, or injury to persons):


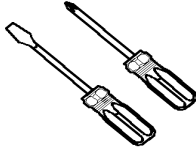

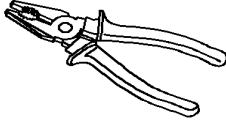
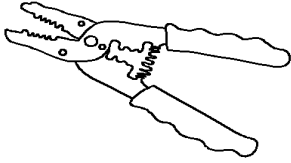
1. We suggest installation by a **licensed electrician**.
2. Please read the instruction carefully and save it as you may need it at later time.
3. Before you start, **NEVER** attempt any work without shutting off the electricity until the work is done. A). Go to the main fuse, or circuit breaker, box in your home. Place the main power switch in the **"OFF"** position. B). Place the wall switch in the **"OFF"** position.
4. Mounting surface should be clean, dry, flat, strong enough and 1/4" larger than the canopy on all side. Any gaps between the mounting surface and canopy exceeding 3/16" should be corrected as required.
5. Make sure that the ceiling or wall can stand the weight of the lamp before installation.
6. Make sure the voltage you are using is **120V**. The maximum wattage is **40W** per bulb.
7. Keep the lamp away from acidic and alkaline substances in case of damaging the surface of the lamp.
8. When replacing bulb, you should turn off or unplug the lamp and you must wait until it is cool as bulbs get hot quickly.
9. The safety instructions appearing in this manual are not meant to cover all possible conditions that may occur. It must be understood that common sense, caution and care must be used with any electrical products.

IMAGE FOR FINISHED PRODUCT:



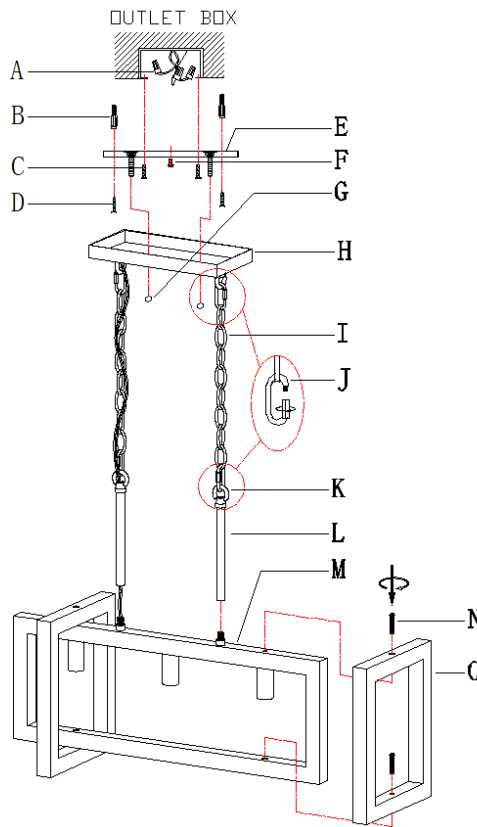
TOOLS REQUIRED (NOT INCLUDED):

Before doing assembly and installation please prepare the needed tools as below picture

				
Ladder	Phillips head.flat blade screwdriver	Electrical tape	Pliers	Wire cutter/Stripper

PARTS TYPE & QTY INCLUDING:

- (E) Mounting plate assembly (1)
- (F) Green ground screw (1)
- (G) Ball knob (2)
- (H) Canopy (1)
- (I) Chain (2)
- (J) Quick link (4)
- (K) Loop (4)
- (L) Stem (2)
- (M) Wood frame (1)
- (N) Screw (4)
- (O) Smaller wood frame (2)

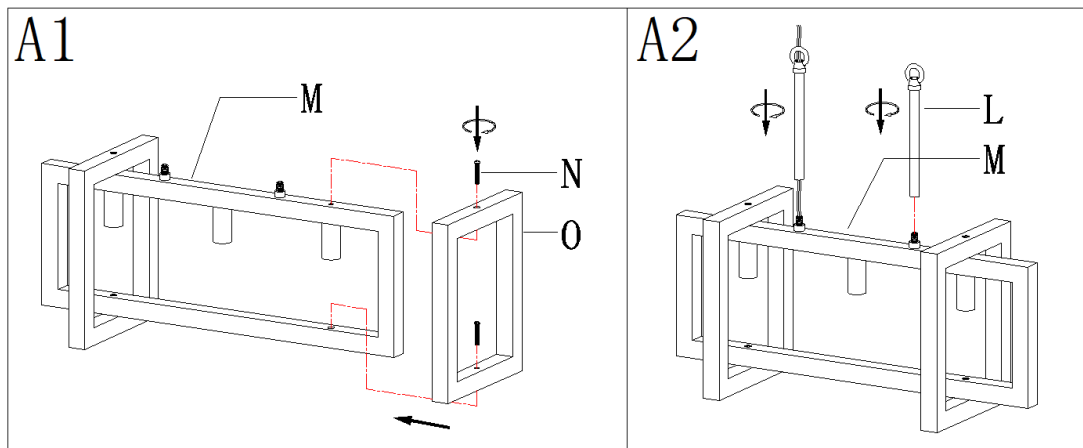


ACCESSORIES & QTY ENCLOSED:

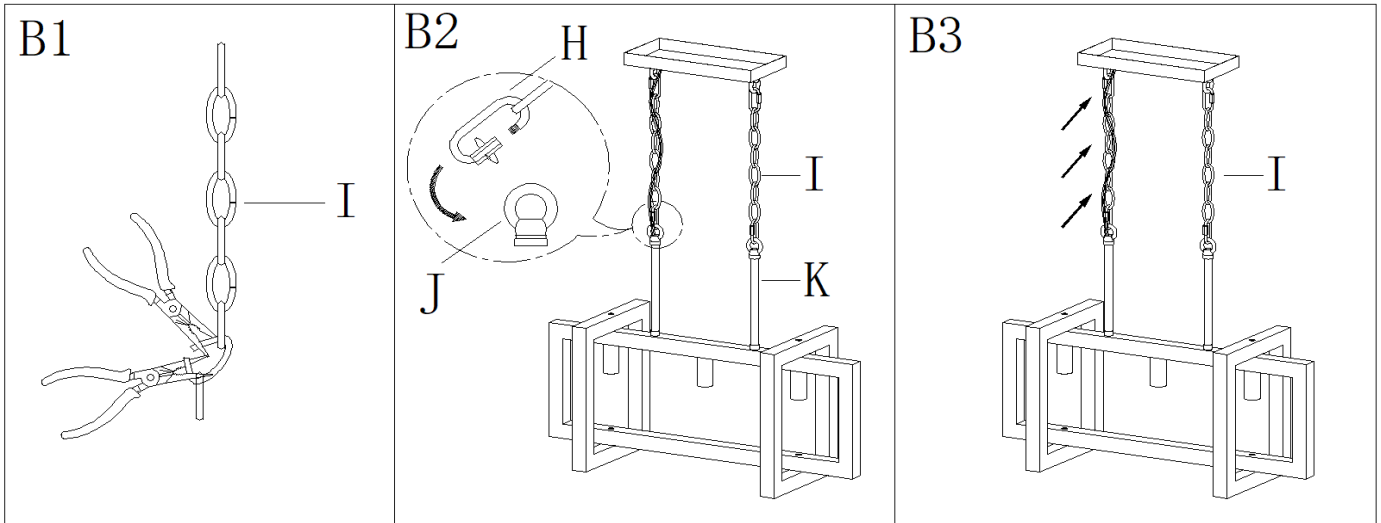
- (A) Wire connector (3)
- (B) Anchor (2)
- (C) Mounting screw (2)
- (D) Wood screw (2)

ASSEMBLY & INSTALLATION INSTRUCTIONS:

1. Carefully remove the fixture from the carton and check that all parts and accessories are included as shown in the above illustration.
2. Make pre-installation



Step A1: Pass the wood frame (M) through the smaller wood frame (O), then align two holes and secure tightly two wood frames with screws (N). Do the same with the other smaller wood frame (O).
 Step A2: Carefully pass the fixture wires through the stem (L), then screw the stem (L) onto the wood frame (M).



Step B1: By measuring, determine the correct number of links needed for proper hanging height. Using the chain pliers, disconnect and discard the unwanted part.

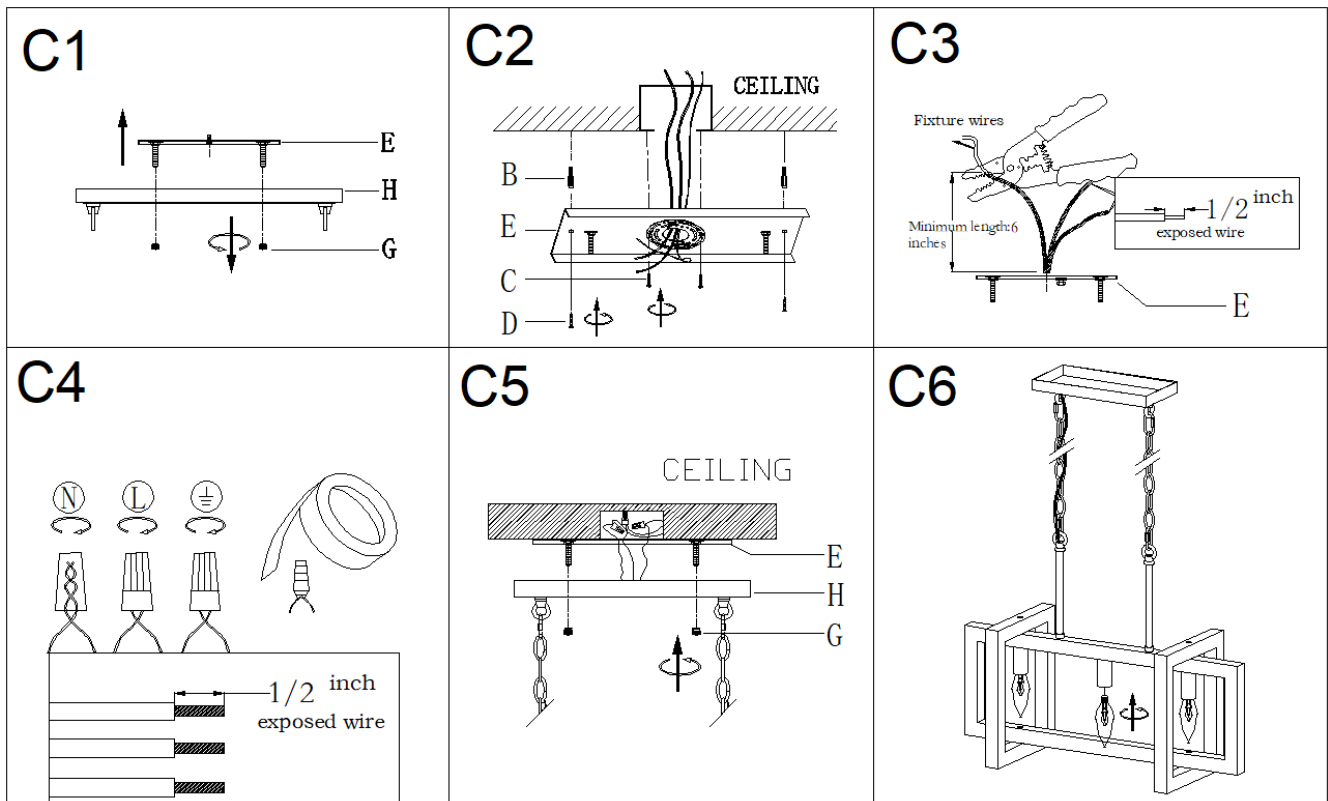
Step B2: Attach the quick link (H) to connect the chain (I) and the loop (J) on the top of stem (K).

Step B3: Carefully weave the wires through the chain (I) (between every two links and one blank link) and stop just when you reach the top of chain (I). Gently pull the wires to ensure wires are not stressed.

3 Turn off power

Before you start the installation, NEVER attempt any work without shutting off the electricity until the work is done. A). Go to the main fuse, or circuit breaker, box in your home. Place the main power switch in the "OFF" position. B). Place the wall switch in the "OFF" position.

4 Make installation





Step C1: Unscrew the ball knob (G) from mounting plate assembly (E).

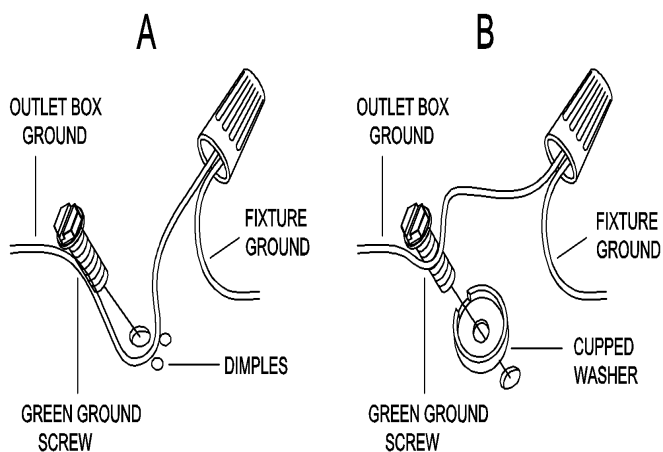
Step C2: Attach the mounting plate assembly (E) to ceiling with the mounting screws (C) and wood screw (D).

Step C3: If needed, cut the length of fixture wires. At this point, the remaining wire length measured above the single bar(C) is at least 6".

Step C4: Make wire connections

Connect wires as below wires connecting shown. **PLEASE NOTE GROUND WIRE IS BARE COPPER WIER, NEVER CONNECT OTHER WIRES TO GROUND WIRES.**

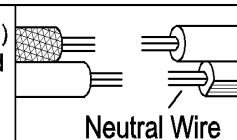
Connect ground wire according to below chart



Connect wires according to below chart

Connect Black or Red Supply Wire to:	Connect White Supply Wire to:
Black	White
*Parallel cord (round & smooth)	*Parallel cord (square & ridged)
Clear,Brown,Gold or Black without tracer	Clear,Brown,Gold or Black with tracer
Insulated wire (other than green) with copper conductor	Insulated wire (other than green) with silver conductor

*Note: When parallel wires (SPT I & SPT II) are used. The neutral wire is square shaped or ridged and the other wire will be round in shape or smooth (see illus.)



Twist plastic wire connector until wires are tightly joined together, and wrap each connector with approved electrical tape. Be sure that no wire strands are exposed and then carefully tuck all wires into the outlet box.

Step C5: Raise canopy (H) to ceiling and secure canopy (H) in place by ball knobs (G) onto the threaded nipple on mounting plate assembly (E).

Step C6: Install bulbs (not included) (Please do not exceed the maximum wattage recommended on the socket.)

5. Check everything is already installed properly, then you could turn on the light. Enjoy!

CLEANING.

To clean, wipe the fixture with a soft cloth. Do not use abrasive materials such as scouring pads or powders, steel wool or abrasive paper.

ORDERING PARTS.

Keep this sheet for future reference, and in case you need to order replacement parts. All parts for this fixture can be ordered from the place of purchase. Be sure to use exact wording from illustration when ordering parts.