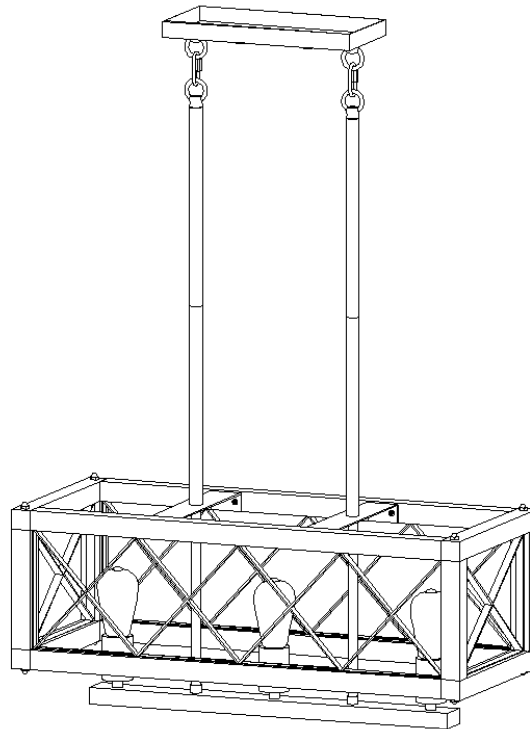


Item Number: A03956

WARNING (To reduce the risk of fire, electric shock, or injury to persons):


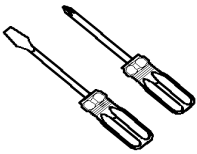
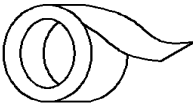
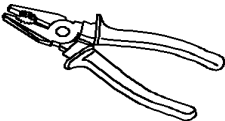
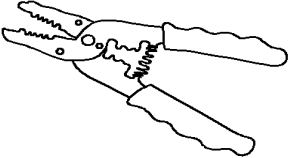
1. We suggest installation by a **licensed electrician**.
2. Please read the instruction carefully and save it as you may need it at later time.
3. Before you start, **NEVER** attempt any work without shutting off the electricity until the work is done. A). Go to the main fuse, or circuit breaker, box in your home. Place the main power switch in the **"OFF"** position. B). Place the wall switch in the **"OFF"** position.
4. Mounting surface should be clean, dry, flat, strong enough and 1/4" larger than the canopy on all side. Any gaps between the mounting surface and canopy exceeding 3/16" should be corrected as required.
5. Make sure that the ceiling or wall can stand the weight of the lamp before fixture.
6. Make sure the voltage you are using is **120V**. The maximum wattage is **Type A, Max 60W** per bulb.
7. Keep the lamp away from acidic and basic objects in case of damaging the surface of the lamp.
8. When replacing bulb, you should turn off or unplug the lamp and you must wait until it is cool as bulbs get hot quickly.
9. The safety instructions appearing in this manual are not meant to cover all possible conditions that may occur. It must be understood that common sense, caution and care must be used with any electrical products.

IMAGE FOR FINISHED PRODUCT:



TOOLS REQUIRED (NOT INCLUDED):

Before doing assembly and installation please prepare the needed tools as below picture

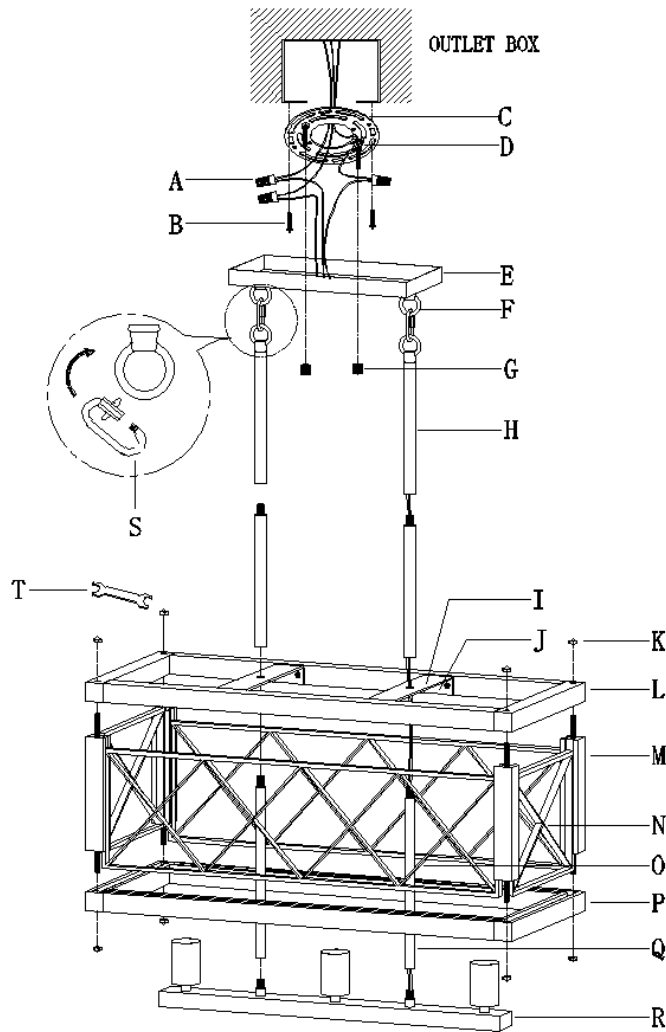
				
Ladder	Phillips head.flat blade screwdriver	Electrical tape	Pliers	Wire cutter/Stripper

PARTS TYPE & QTY INCLUDING:

- (C) Round mounting plate (1)
- (D) Green ground screw (1)
- (E) Canopy (1)
- (F) Loop(4)
- (G) Knob nut (2)
- (H) Upper stem
- (I) Iron plate (2)
- (J) Tapping screw (8)
- (K) Hex nut (8)
- (L) Upper wooden frame (1)
- (M) Batten (4)
- (N) Shorter iron frame (2)
- (O) Longer iron frame (2)
- (P) Lower wooden frame (1)
- (Q) Lower stem (2)
- (R) Tube (1)
- (S) Quick link (2)

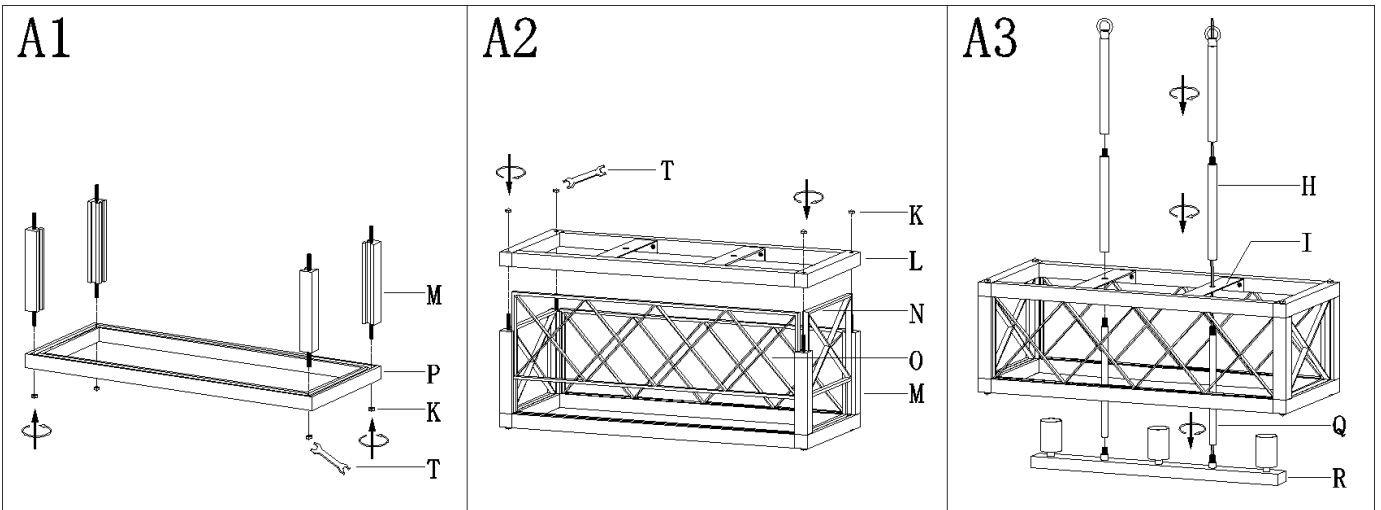
ACCESSORIES & QTY ENCLOSED:

- (A) Plastic wire connector (3)
- (B) Mounting screw (2)
- (T) Wrench (1)



ASSEMBLY & INSTALLATION INSTRUCTIONS:

1. Carefully remove the fixture from the carton and check that all parts and accessories are included as shown in the above illustration.
2. Make pre-installation



Step A1: Pass the batten (M) through the lower wooden frame (P) and secure with a hex nut (K).

Step A2: Clip longer iron frame (O) and shorter iron frame (N) into the wood frame.

Pass the batten (M) through the upper wooden frame (L) and secure with a hex nut (K).

Step A3: Carefully pass the power cord through the lower stem (Q), then twist the lower stem (Q) onto the tube (R).

Insert the lower stem (Q) into the iron plate (I) and tighten it with the upper stem (H).

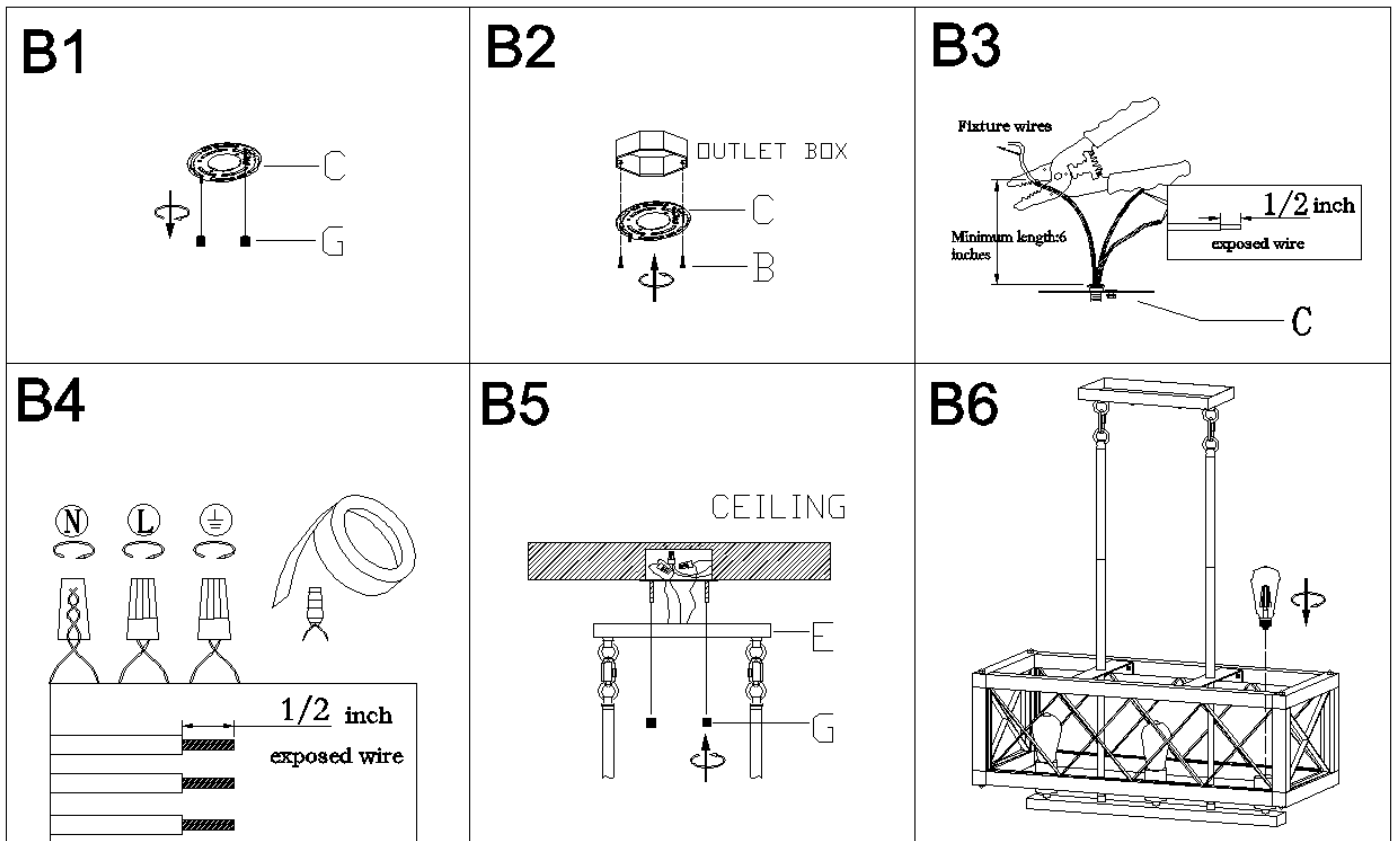
3 Turn off power

Before you start to make installation, NEVER attempt any work without shutting off the electricity until the work is done.

A). Go to the main fuse, or circuit breaker, box in your home. Place the main power switch in the "OFF" position.

B). Place the wall switch in the "OFF" position.

4 Make installation



Step B1: Unscrew the knob nuts(G) from mounting plate (C) .

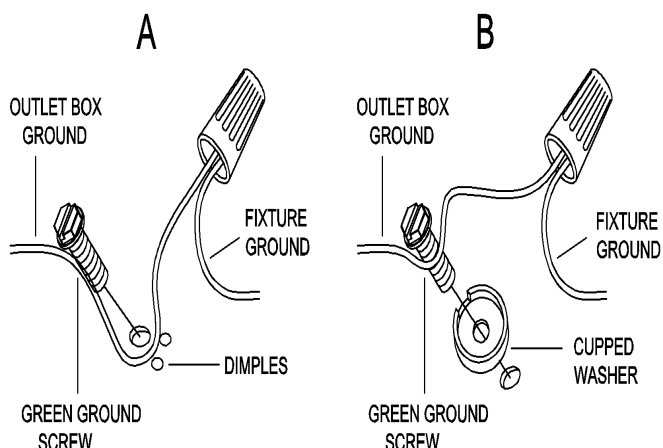
Step B2: Attach the mounting plate(C) to outlet box with the mounting screws(B).

Step B3: If needed, cut off the wires length of fixture. At this point, the remaining wire length measured from the top single bar(C) is at least 6".

Step B4: Make wire connections

Connect wires as below wires connecting shown. **TAKE NOTE OF YOUR WIRE COLOR OF FIXTURE ,NEVER CONNECT WIRE TO GROUND WIRE**

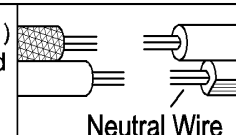
Connect ground wire according to below chart



Connect wires according to below chart

Connect Black or Red Supply Wire to:	Connect White Supply Wire to:
Black	White
*Parallel cord (round & smooth)	*Parallel cord (square & ridged)
Clear,Brown,Gold or Black without tracer	Clear,Brown,Gold or Black with tracer
Insulated wire (other than green) with copper conductor	Insulated wire (other than green) with silver conductor

*Note: When parallel wires (SPT I & SPT II) are used. The neutral wire is square shaped or ridged and the other wire will be round in shape or smooth (see illus.)



Twist plastic wire connector until wires are tightly joined together,wrap each connector with approved electrical tape.Be sure that no wire strands are exposed and then carefully tuck all wires into the outlet box .

Step B5: Raise canopy (E) to ceiling and secure canopy (E) in place by knob nut (G) onto the threaded nipple on mounting plate.

Step B6: Install bulbs (not included) (Please do not exceed the maximum capacity recommended on the socket.)

5. Check ything is already installed properly, then you could turn on the light. Enjoy!

CLEANING.

To clean, wipe fixture with a soft cloth. Do not use abrasive materials such as scouring pads or powders, steel wool or abrasive paper.

ORDERING PARTS.

Keep this sheet for future reference, and in case you need to order replacement parts. All parts for this fixture can be ordered from place of purchase. Be sure to use exact wording from illustration when ordering parts.