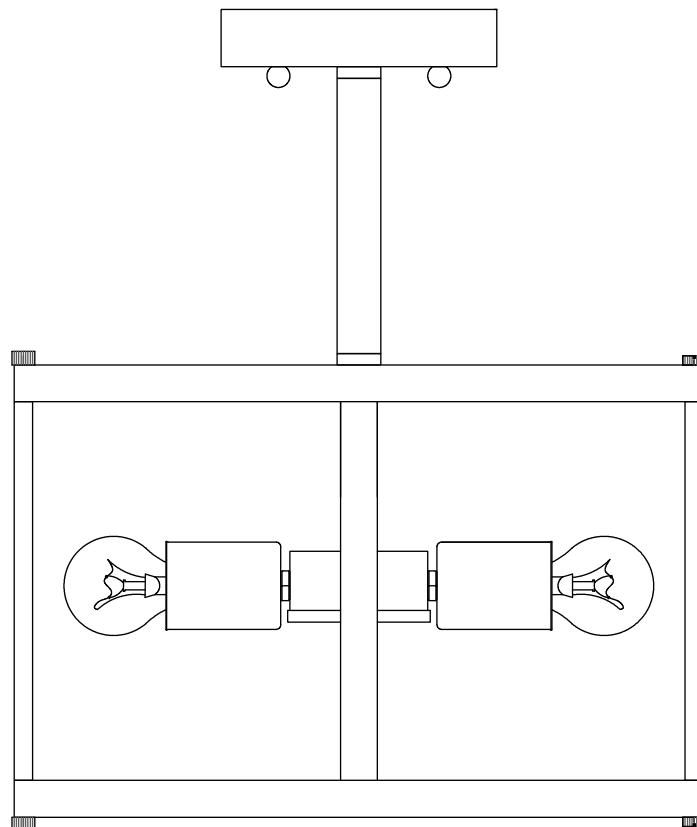


Item Number: A02969

WARNING (To reduce the risk of fire, electric shock, or personal injury):


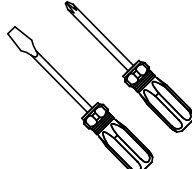
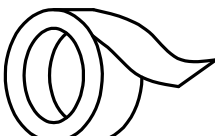
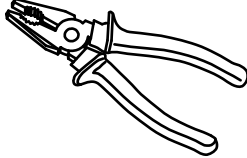
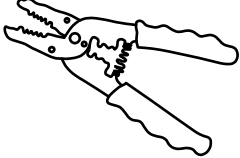
1. We suggest installation by a **licensed electrician**.
2. Please read the instruction carefully and save it as you may need it at a later time.
3. Before you start, **NEVER** attempt any work without shutting off the electricity until the work is done.
 - » Go to the main fuse, or circuit breaker, box in your home.
Place the main power switch in the **“OFF”** position.
 - » Place the wall switch in the **“OFF”** position.
4. Mounting surface should be clean, dry, flat, strong enough and 1/4” larger than the canopy on all sides. Any gaps between the mounting surface and canopy exceeding 3/16” should be corrected as required.
5. Make sure that the ceiling or wall can stand the weight of the lamp before installation.
6. Make sure the voltage you are using is **120V**. The maximum wattage is **Type A, Max 60W** per bulb.
7. Keep the lamp away from acidic and alkaline substances in case of damaging the surface of the lamp.
8. When replacing bulbs, you should turn off or unplug the lamp and you must wait until it is cool as bulbs get hot quickly.
9. The safety instructions appearing in this manual are not meant to cover all possible conditions that may occur. It must be understood that common sense, caution and care must be used with any electrical products.

IMAGE FOR FINISHED PRODUCT:



TOOLS REQUIRED (NOT INCLUDED):

Before starting assembly and installation please prepare the needed tools as below picture

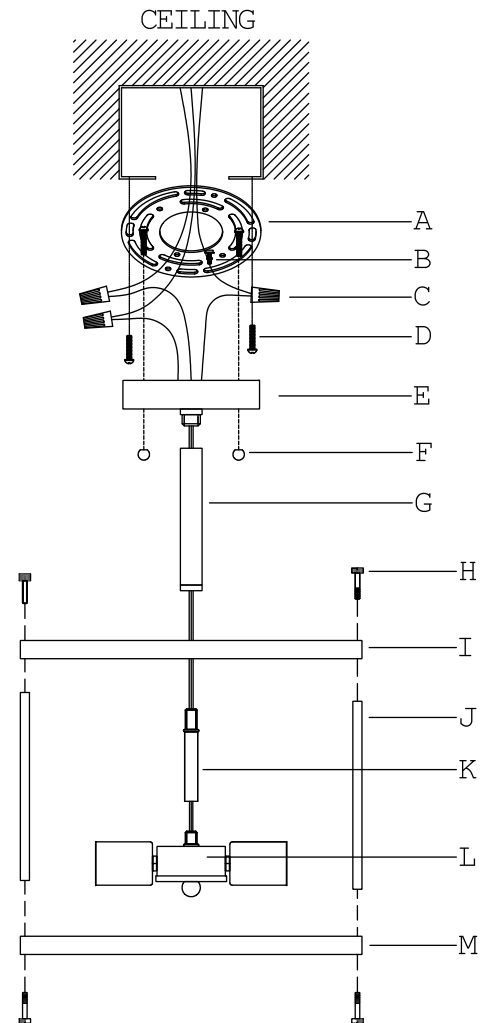
| | | | | |
|---|---|---|--|---|
|  |  |  |  |  |
| <p>Ladder</p> | <p>Philips Head or Flat Blade Screwdriver</p> | <p>Electrical Tape</p> | <p>Pilers</p> | <p>Wire Cutter/Stripper</p> |

PARTS TYPE & QTY INCLUDING:

- (A) Mounting plate (1)
- (B) Green ground screw (1)
- (E) Canopy (1)
- (F) Knob nut (2)
- (G) Tube (1)
- (H) Screw (4)
- (I) Upper ring (1)
- (J) Bar (4)
- (K) Stem (1)
- (L) Sockets assembly (1)
- (M) Lower ring (1)

ACCESSORIES & QTY ENCLOSED:

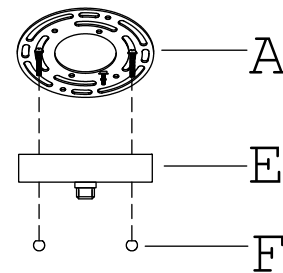
- (C) Plastic wire connector (3)
- (D) Mounting screw (2)



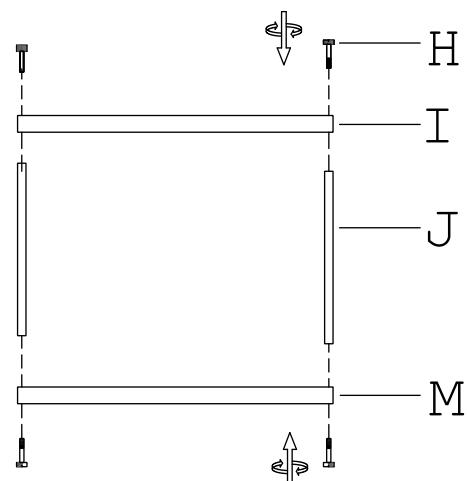
ASSEMBLY & INSTALLATION INSTRUCTIONS:

1. Carefully remove the fixture from the carton and check that all parts and accessories are included as shown in the above illustration.

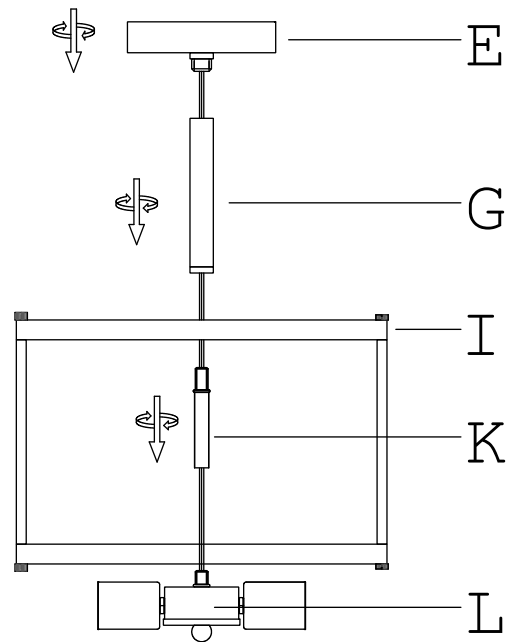
- 2 »
- Unscrew knob nuts (F) from canopy (E).
 - Gently remove mounting plate (A) from canopy (E).
 - Set them aside for later installation.



- 3 »
- Thread screws (H) into upper ring (I) and bars (J).
 - Thread screws (H) into lower ring (M) and bars (J).



- 4 »
- Pass the fixture wires through stem (K), upper ring (I), tube (G) and canopy (E).
 - Screw stem (K) onto the top of sockets assembly (L).
 - Screw tube (G) and canopy (E) onto the top of stem (K) to secure upper ring (I).



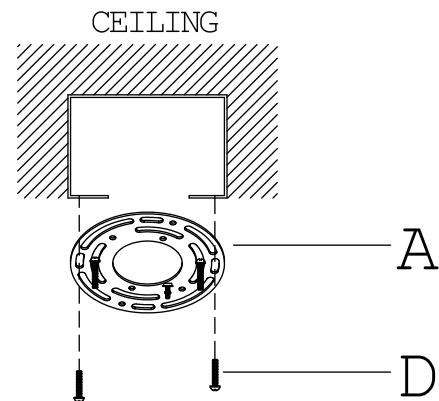
5. Turn off power

Before you start the installation, NEVER attempt any work without shutting off the electricity until the work is done.

- » Go to the main fuse, or circuit breaker, box in your home. Place the main power switch in the "OFF" position.
- » Place the wall switch in the "OFF" position.

- 6 »
- Carefully pass the supply wires through mounting plate (A).
 - Secure mounting plate (A) to the outlet box with mounting screws (D).

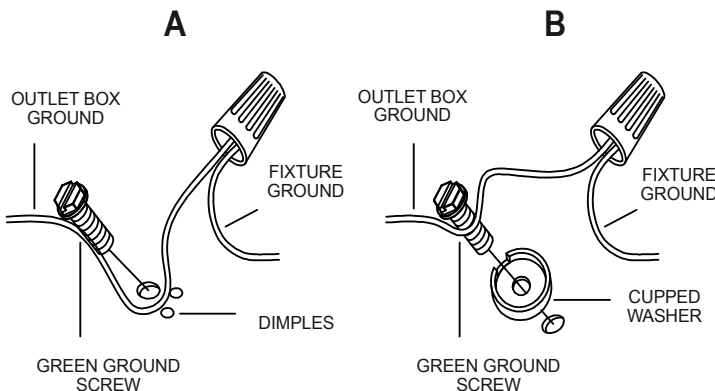
NOTE: the side of mounting plate (A) marked "GND" must face out.



7 » Make wire connections

Connect wires as below wires connection shown. **PLEASE NOTE THAT GROUND WIRE IS BARE COPPER WIRE, NEVER CONNECT OTHER WIRES TO GROUND WIRES.**

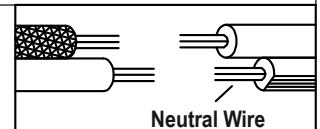
Connect ground wires according to the below chart



Connect wires according to the below chart

| Connect Black or Red Supply Wire to: | Connect White Supply Wire to: |
|---|---|
| Black | White |
| *Parallel cord (round & smooth) | *Parallel cord (square & ridged) |
| Clear, Brown, Gold or Black without tracer | Clear, Brown, Gold or Black with tracer |
| Insulated wire (other than green) with copper conductor | Insulated wire (other than green) with silver conductor |

* Note: When parallel wires (SPT I & SPT II) are used. The neutral wire is square shaped or ridged and the other wire will be round in shape or smooth (see illus.)



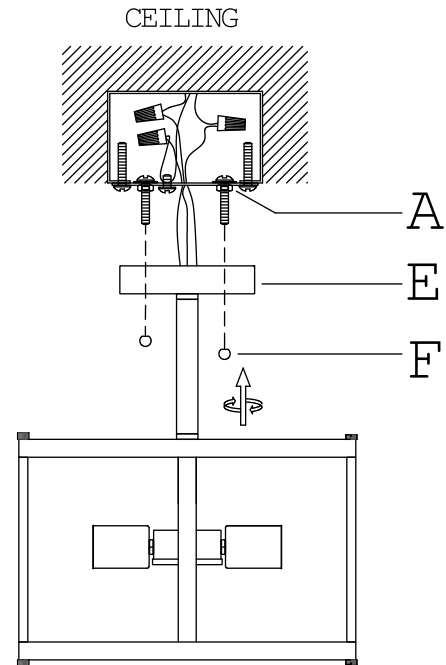
- *Twist wires together with plastic wire connectors until tightly joined.*
- *Wrap each connector with approved electrical tape.*
- *Be sure that no wire strands are exposed and then carefully tuck all wires into the outlet box.*

- 8 »
- Raise canopy (E) over the outlet box.
 - Align canopy (E) with the pre-assembled mounting screws.
 - Secure canopy (E) with the previously removed knob nuts (F) till snug.

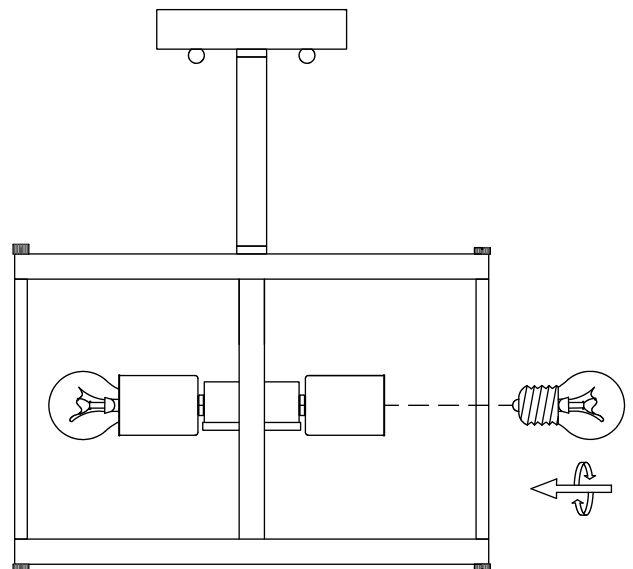
Note: canopy (E) should be snug against the ceiling and knob nuts (F).

If not, adjust the threaded length on mounting plate assembly (A):

- **Unscrew the pre-assembled hex nuts.**
- **Screw the pre-assembled screws in or out of mounting plate (A).**
- **When the secure length is achieved, tighten the hex nuts and back to step 8.**



- 9 »
- Install bulbs (not included) (Please do not exceed the maximum wattage recommended on the socket.)



10. Check everything is already installed properly, then you could turn on the light. Enjoy!

ORDERING PARTS

Keep this sheet for future reference in case you need to order replacement parts. All parts for this fixture can be ordered from the place of purchase. Be sure to use exact wording from illustration when ordering parts.

CLEANING

To clean, wipe the fixture with a soft cloth. Do not use abrasive materials such as scouring pads or powders, steel wool or abrasive paper.