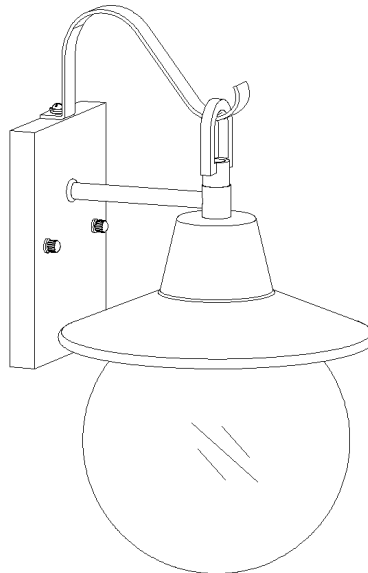


Item Number: A04150RD

WARNING (To reduce the risk of fire, electric shock, or personal injury):


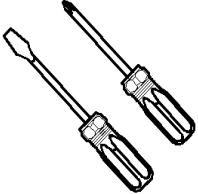
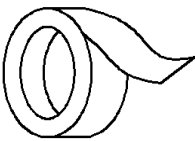
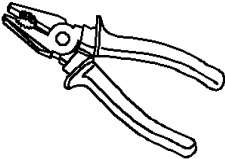
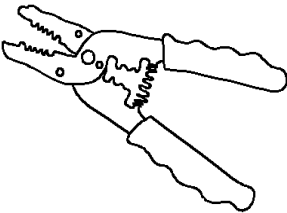
1. We suggest installation by a **licensed electrician**.
2. Please read the instruction carefully and save it as you may need it at later time.
3. Before you start, **NEVER** attempt any work without shutting off the electricity until the work is done.
 - A) Go to the main fuse, or circuit breaker, box in your home. Place the main power switch in the **"OFF"** position.
 - B) Place the wall switch in the **"OFF"** position.
4. Mounting surface should be clean, dry, flat, strong enough and 1/4" larger than the canopy on all side. Any gaps between the mounting surface and canopy exceeding 3/16" should be corrected as required.
5. Make sure that the ceiling or wall can stand the weight of the lamp before installation.
6. Make sure the voltage you are using is **120V**. The maximum wattage is **Type A, Max 40W** per bulb.
7. Keep the lamp away from acidic and alkaline substances in case of damaging the surface of the lamp.
8. When replacing bulb, you should turn off or unplug the lamp and you must wait until it is cool as bulbs get hot quickly.
9. The safety instructions appearing in this manual are not meant to cover all possible conditions that may occur. It must be understood that common sense, caution and care must be used with any electrical products.

IMAGE FOR FINISHED PRODUCT:



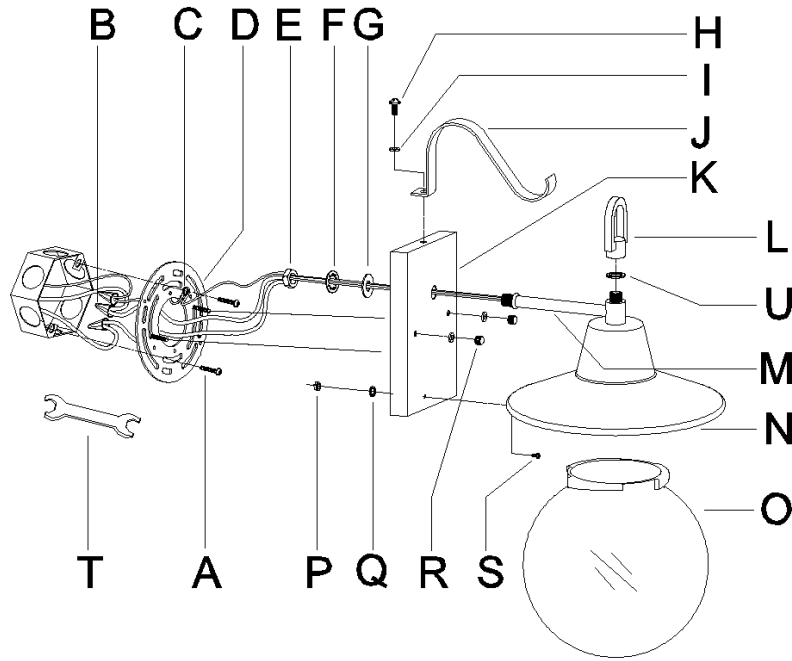
TOOLS REQUIRED (NOT INCLUDED):

Before starting assembly and installation please prepare the needed tools as below picture

				
Ladder	Phillips head.flat blade screwdriver	Electrical tape	Pliers	Wire cutter/Stripper

PARTS INCLUDING:

- (C) Green ground screw (1)
- (D) Mounting plate (1)
- (E) Hex nut (1)
- (F) Spring washer (1)
- (G) Spacer (1)
- (H) Screw (1)
- (I) Plastic washers (3)
- (J) Flat iron bar (1)
- (K) Back plate (1)
- (L) Loop (1)
- (M) Arm (1)
- (N) Lid (1)
- (O) Glass shade (1)
- (P) Smaller hex nut (1)
- (Q) Smaller spring washer (1)
- (R) Knob nut (2)
- (S) Smaller screw (1)
- (U) Plastic washers (1)

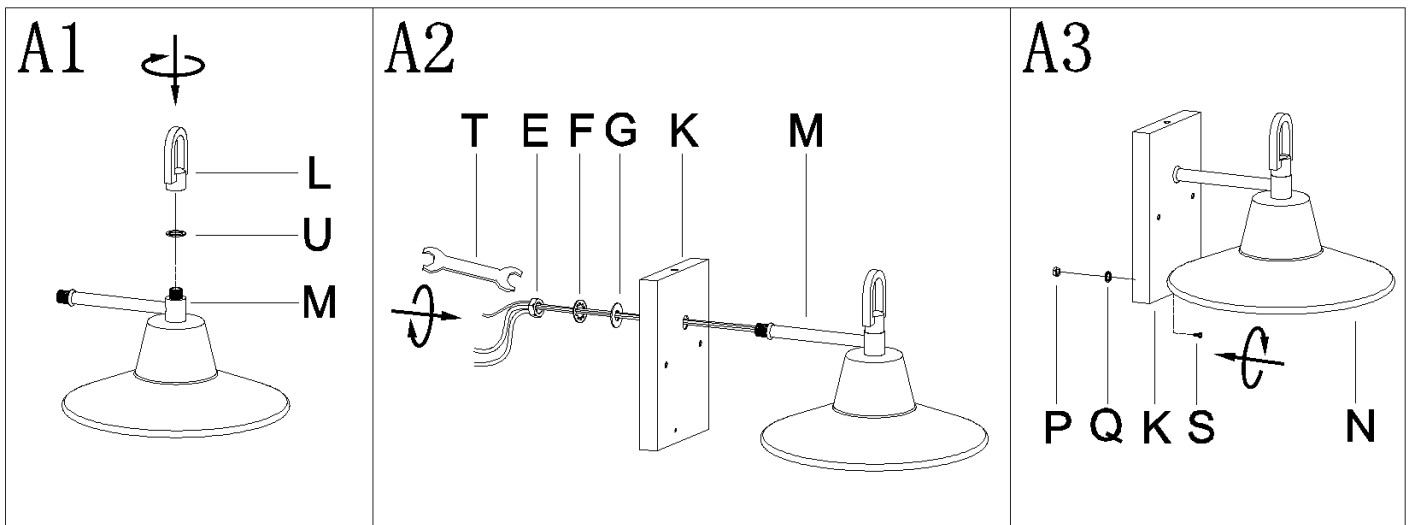


ACCESSORIES ENCLOSED

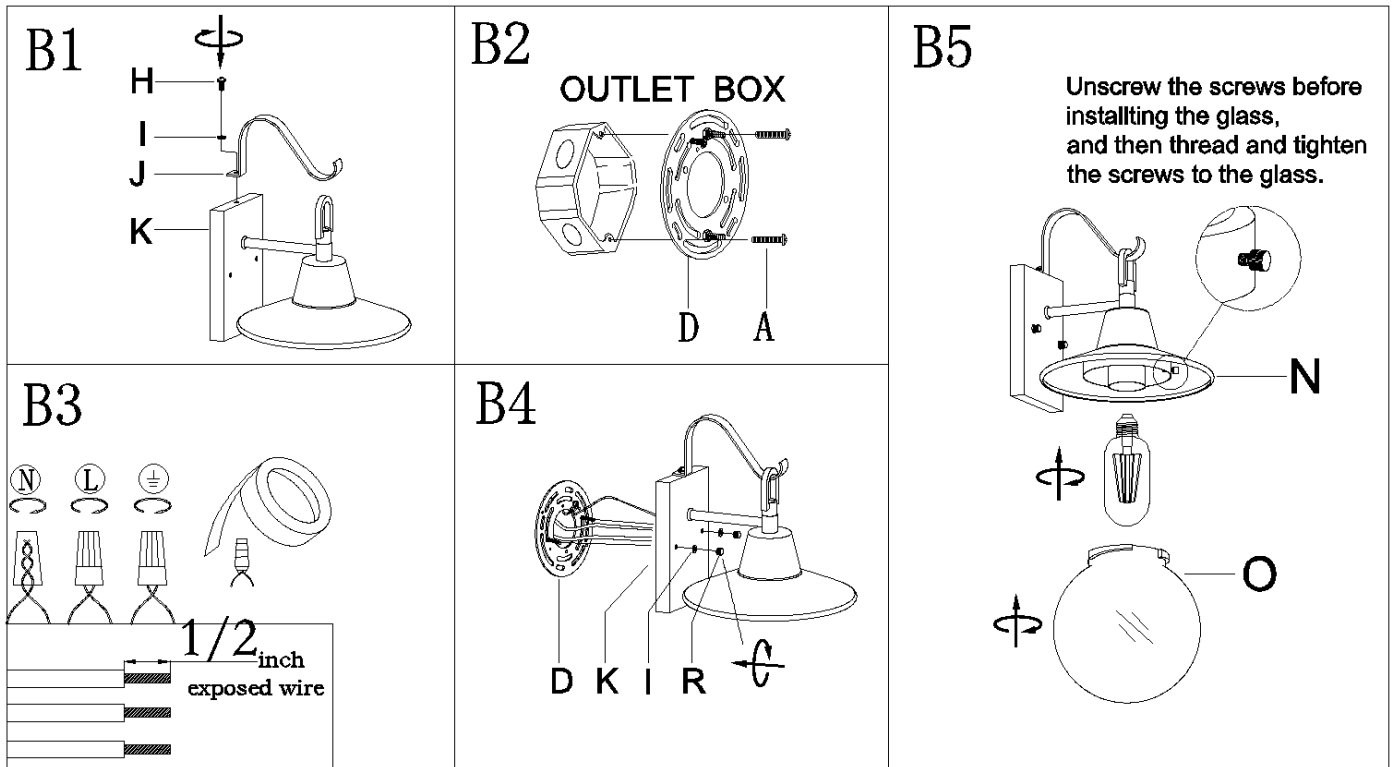
- (A) Mounting screw (2)
- (B) Plastic wire connector (3)
- (T) Wrench (1)

ASSEMBLY & INSTALLATION INSTRUCTIONS:

1. **Carefully remove the fixture from the carton and check that all parts and accessories are included as shown in the above illustration.**
2. **Turn off power**
 Before you start the installation, NEVER attempt any work without shutting off the electricity until the work is done.
 A) Go to the main fuse, or circuit breaker, box in your home. Place the main power switch in the "OFF" position.
 B) Place the wall switch in the "OFF" position.
3. **Make assembly**



- Step A1: Screw loop (L) and plastic washers (U) onto the arm (M).
- Step A2: Thread arm (M) through back plate (K), and thread fixture wires through the spacer (G), spring washer (F) and hex nut (E), then tighten hex nut (E) with wrench (T).
- Step A3: Position the back plate (K) and the lid (N) in place and thread smaller screws (S), then tighten the smaller spring washer (Q) and smaller hex nut (P).



Step B1: Thread the screw (H) through the plastic washer (I), then tighten the screw (H) to fix the flat iron bar (J) to the back plate (K).

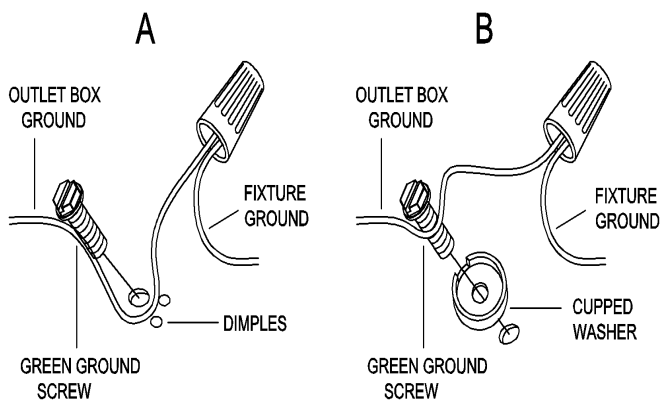
Step B2: Secure mounting plate (D) to outlet box with mounting screws (A).

Step B3: Make wire connections

Connect wires as below wires connection shown. **PLEASE NOTE THAT GROUND WIRE IS BARE COPPER WIRE, NEVER CONNECT OTHER WIRES TO GROUND WIRES.**

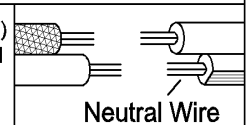
Connect ground wires according to the below chart

Connect wires according to the below chart



Connect Black or Red Supply Wire to:	Connect White Supply Wire to:
Black	White
*Parallel cord (round & smooth)	*Parallel cord (square & ridged)
Clear, Brown, Gold or Black without tracer	Clear, Brown, Gold or Black with tracer
Insulated wire (other than green) with copper conductor	Insulated wire (other than green) with silver conductor

*Note: When parallel wires (SPT I & SPT II) are used. The neutral wire is square shaped or ridged and the other wire will be round in shape or smooth (see illus.)



Twist wires together with plastic wire connector until tightly joined, and wrap each connector with approved electrical tape. Be sure that no wire strands are exposed and then carefully tuck all wires into the outlet box.

Step B4: Align the holes in the back plate (K) with the pre-assembled mounting screws, then attach the back plate (K) using the previously removed plastic washers (I) and knob nut (R). Tighten until snug.

Step B5: Install bulbs (Not included) (Please do not exceed the maximum wattage recommended on the socket). Carefully fix the glass shade (O) on the lid (N) with the screw. Tighten until snug.

4. Check everything is installed properly, then you could turn on the light. Enjoy!CLEANING

To clean, wipe the fixture with a soft cloth. Clean glass with a mild cleaner (such as mild and non-abrasive soap). Do not use abrasive materials such as scouring pads or powders, steel wool or abrasive paper.

ORDERING PARTS

Keep this sheet for future reference in case you need to order replacement parts. All parts for this fixture can be ordered from the place of purchase. Be sure to use exact wording from illustration when ordering parts.