

IMPORTANT
Read Before Using

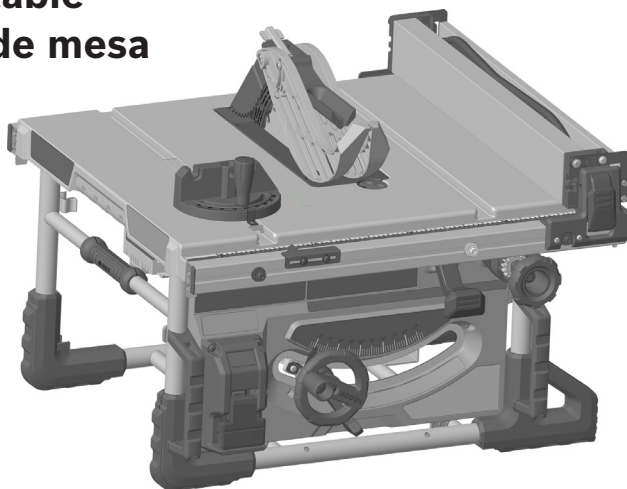
IMPORTANT
Lire avant usage

IMPORTANTE
Leer antes de usar



Operating / Safety Instructions
Consignes d'utilisation / de sécurité
Instrucciones de funcionamiento y seguridad

GTS18V-08
Table Saw
Scie à table
Sierra de mesa



BOSCH

Call Toll Free for Consumer Information & Service Locations

Pour obtenir des informations et les adresses de nos centres de service après-vente, appelez ce numéro gratuit
Llame gratis para obtener información para el consumidor y ubicaciones de servicio

1-877-BOSCH99 (1-877-267-2499) www.boschtools.com

For English Version
See page 2

Version française
Voir page 64

Versión en español
Ver la página 128

Safety Symbols





<p>The definitions below describe the level of severity for each signal word. Please read the manual and pay attention to these symbols.</p>	
	<p>This is the safety alert symbol. It is used to alert you to potential personal injury hazards. Obey all safety messages that follow this symbol to avoid possible injury or death.</p>
	<p>DANGER indicates a hazardous situation which, if not avoided, will result in death or serious injury.</p>
	<p>WARNING indicates a hazardous situation which, if not avoided, could result in death or serious injury.</p>
	<p>CAUTION indicates a hazardous situation which, if not avoided, could result in minor or moderate injury.</p>

Table of Contents

<p>Safety Symbols 2</p> <p>General Power Tool Safety Warnings 3</p> <p>Safety Instructions for Table Saws 5</p> <p>Additional Safety Rules 9</p> <p>Intended Use 9</p> <p>Specifications 10</p> <p>Cutting Capacities 10</p> <p>Symbols 11</p> <p>Getting to Know Your GTS18V-08 Table Saw 13</p> <p>Glossary 15</p> <p>Unpacking and Checking Contents 16</p> <p style="padding-left: 20px;">Unpacking the Table Saw 16</p> <p>Tools Needed For Assembly 17</p> <p>Assembly 18</p> <p style="padding-left: 20px;">Inserting and Releasing the Battery Pack 18</p> <p style="padding-left: 20px;">Removing and Installing the Table Insert 18</p> <p style="padding-left: 20px;">Attaching the Smart Guard System . . . 19</p> <p style="padding-left: 20px;">Selecting and Changing the Blade . . . 21</p> <p style="padding-left: 20px;">Attaching the Rip Fence 22</p> <p>Storage, Transportation, and Mounting 26</p> <p style="padding-left: 20px;">Miter Gauge Storage 26</p>	<p>Push Stick Storage 26</p> <p>Rip Fence Storage 26</p> <p>Smart Guard System Storage 27</p> <p>Hex Wrench Storage 30</p> <p>Blade Wrench Storage 30</p> <p>Transporting the Saw 31</p> <p>Mounting the Table Saw 32</p> <p>Adjustments 33</p> <p style="padding-left: 20px;">Adjusting the Blade Parallel to the Miter Gauge Slots 33</p> <p style="padding-left: 20px;">Rip Fence Adjustments 34</p> <p style="padding-left: 20px;">Riving Knife Alignment 37</p> <p style="padding-left: 20px;">Adjusting the Table Insert 39</p> <p style="padding-left: 20px;">Adjusting 0° and 45° Positive Stops 39</p> <p>Basic Table Saw Operations 41</p> <p style="padding-left: 20px;">Power Switch 41</p> <p style="padding-left: 20px;">Fuel Gauge 41</p> <p style="padding-left: 20px;">Using the Smart Guard System 42</p> <p style="padding-left: 20px;">Riving Knife (Splitter) 42</p> <p style="padding-left: 20px;">Barrier Guard Assembly 43</p> <p style="padding-left: 20px;">Anti-Kickback Device 43</p> <p style="padding-left: 20px;">Making Work Helpers 43</p> <p style="padding-left: 20px;">Using the Push Stick, Push Block, and Auxiliary Fence 47</p>
---	---

Table of Contents

Using the Rip Fence	49
Using the Miter Gauge.	52
Non-Through Cutting.	55
Special Cutting Techniques.	58
Maintenance and Lubrication	59
Service	59
Care of Blades.	59
Tool Lubrication	59
Cleaning	59
Anti-Kickback Device Maintenance . . .	60
Clearing the Dust Port/Vacuum Hook-Up.	60
Attachments and Accessories.	61
Troubleshooting	62

General Power Tool Safety Warnings

⚠ WARNING Read all safety warnings, instructions, illustrations and specifications provided with this power tool. Failure to follow all instructions listed below may result in electric shock, fire and/or serious injury.

SAVE ALL WARNINGS AND INSTRUCTIONS FOR FUTURE REFERENCE

The term “power tool” in the warnings refers to your mains-operated (corded) power tool or battery-operated (cordless) power tool.

1. Work area safety

- a. **Keep work area clean and well lit.** Cluttered or dark areas invite accidents.
- b. **Do not operate power tools in explosive atmospheres, such as in the presence of flammable liquids, gases or dust.** Power tools create sparks which may ignite the dust or fumes.
- c. **Keep children and bystanders away while operating a power tool.** Distractions can cause you to lose control.

2. Electrical safety

- a. **Power tool plugs must match the outlet. Never modify the plug in any way. Do not use any adapter plugs with earthed (grounded) power tools.** Unmodified plugs

and matching outlets will reduce risk of electric shock.

- b. **Avoid body contact with earthed or grounded surfaces, such as pipes, radiators, ranges and refrigerators.** There is an increased risk of electric shock if your body is earthed or grounded.
- c. **Do not expose power tools to rain or wet conditions.** Water entering a power tool will increase the risk of electric shock.
- d. **Do not abuse the cord. Never use the cord for carrying, pulling or unplugging the power tool. Keep cord away from heat, oil, sharp edges or moving parts.** Damaged or entangled cords increase the risk of electric shock.

SAVE THESE INSTRUCTIONS

General Power Tool Safety Warnings

- e. **When operating a power tool outdoors, use an extension cord suitable for outdoor use.** Use of a cord suitable for outdoor use reduces the risk of electric shock.
- f. **If operating a power tool in a damp location is unavoidable, use a Ground Fault Circuit Interrupter (GFCI) protected supply.** Use of an GFCI reduces the risk of electric shock.

3. Personal safety

- a. **Stay alert, watch what you are doing and use common sense when operating a power tool. Do not use a power tool while you are tired or under the influence of drugs, alcohol or medication.** A moment of inattention while operating power tools may result in serious personal injury.
- b. **Use personal protective equipment. Always wear eye protection.** Protective equipment such as a dust mask, non-skid safety shoes, hard hat, or hearing protection used for appropriate conditions will reduce personal injuries.
- c. **Prevent unintentional starting. Ensure the switch is in the off-position before connecting to power source and / or battery pack, picking up or carrying the tool.** Carrying power tools with your finger on the switch or energizing power tools that have the switch on invites accidents.
- d. **Remove any adjusting key or wrench before turning the power tool on.** A wrench or a key left attached to a rotating part of the power tool may result in personal injury.
- e. **Do not overreach. Keep proper footing and balance at all times.** This enables better control of the power tool in unexpected situations.
- f. **Dress properly. Do not wear loose clothing or jewelry. Keep your hair and clothing away from moving parts.** Loose clothes, jewelry or long hair can be caught in moving parts.
- g. **If devices are provided for the connection of dust extraction and collection facilities, ensure these are connected and properly used.** Use of dust collection can reduce dust-related hazards.
- h. **Do not let familiarity gained from frequent use of tools allow you to become complacent and ignore tool safety principles.** A careless action can cause severe injury within a fraction of a second.

4. Power tool use and care

- a. **Do not force the power tool. Use the correct power tool for your application.** The correct power tool will do the job better and safer at the rate for which it was designed.
- b. **Do not use the power tool if the switch does not turn it on and off.** Any power tool that cannot be controlled with the switch is dangerous and must be repaired.
- c. **Disconnect the plug from the power source and/or remove the battery pack, if detachable, from the power tool before making any adjustments, changing accessories, or storing power tools.** Such preventive safety measures reduce the risk of starting the power tool accidentally.
- d. **Store idle power tools out of the reach of children and do not allow persons unfamiliar with the power tool or these instructions to operate the power tool.** Power tools are dangerous in the hands of untrained users.
- e. **Maintain power tools and accessories. Check for misalignment or binding of moving parts, breakage of parts and any other condition that may affect the power tool's operation. If damaged, have the power tool repaired before use.** Many accidents are caused by poorly maintained power tools.
- f. **Keep cutting tools sharp and clean.** Properly maintained cutting tools with sharp cutting edges are less likely to bind and are easier to control.
- g. **Use the power tool, accessories and tool bits etc. in accordance with these instructions, taking into account the working conditions and the work to be performed.** Use of the power tool for operations different from those intended could result in a hazardous situation.
- h. **Keep handles and grasping surfaces dry, clean and free from oil and grease.** Slippery handles and grasping surfaces do not

SAVE THESE INSTRUCTIONS

General Power Tool Safety Warnings

allow for safe handling and control of the tool in unexpected situations.

5. Battery tool use and care

- a. **Recharge only with the charger specified by the manufacturer.** A charger that is suitable for one type of battery pack may create a risk of fire when used with another battery pack.
- b. **Use power tools only with specifically designated battery packs.** Use of any other battery packs may create a risk of injury and fire.
- c. **When battery pack is not in use, keep it away from other metal objects like paper clips, coins, keys, nails, screws, or other small metal objects that can make a connection from one terminal to another.** Shorting the battery terminals together may cause burns or a fire.
- d. **Under abusive conditions, liquid may be ejected from the battery, avoid contact.** If contact accidentally occurs, flush with water. If liquid contacts eyes, additionally seek medical help. Liquid ejected from the battery may cause irritation or burns.
- e. **Do not use a battery pack or tool that is damaged or modified.** Damaged or modified batteries may exhibit unpredictable behavior resulting in fire, explosion or risk of injury.
- f. **Do not expose a battery pack or tool to fire or excessive temperature.** Exposure to fire or temperature above 265 °F may cause explosion.
- g. **Follow all charging instructions and do not charge the battery pack or tool outside the temperature range specified in the instructions.** Charging improperly or at temperatures outside the specified range may damage the battery and increase the risk of fire.

6. Service

- a. **Have your power tool serviced by a qualified repair person using only identical replacement parts.** This will ensure that the safety of the power tool is maintained.
- b. **Never service damaged battery packs.** Service of battery packs should only be performed by the manufacturer or authorized service providers.

Safety Instructions for Table Saws

1. Guarding-related warnings

- a. **Keep guards in place.** Guards must be in working order and be properly mounted. A guard that is loose, damaged, or is not functioning correctly must be repaired or replaced.
- b. **Always use saw blade guard, riving knife and anti-kickback device for every through-cutting operation.** For through-cutting operations where the saw blade cuts completely through the thickness of the workpiece, the guard and other safety devices help reduce the risk of injury.
- c. **Immediately reattach the guarding system after completing an operation (such as rabbeting, dadoing or resawing cuts) which requires removal of the guard, riving knife and/or anti-kickback device.** The guard, riving knife, and anti-kickback device help to reduce the risk of injury.
- d. **Make sure the saw blade is not contacting the guard, riving knife or the workpiece before the switch is turned on.** Inadvertent contact of these items with the saw blade could cause a hazardous condition.
- e. **Adjust the riving knife as described in this instruction manual.** Incorrect spacing, positioning and alignment can make the riving knife ineffective in reducing the likelihood of kickback.
- f. **For the riving knife and anti-kickback device to work, they must be engaged in the workpiece.** The riving knife and anti-kickback device are ineffective when cutting workpieces that are too short to be engaged with the riving knife and anti-kickback device. Under these conditions a kickback


SAVE THESE INSTRUCTIONS

Safety Instructions for Table Saws

cannot be prevented by the riving knife and antikickback device.

- g. Use the appropriate saw blade for the riving knife.** For the riving knife to function properly, the saw blade diameter must match the appropriate riving knife and the body of the saw blade must be thinner than the thickness of the riving knife and the cutting width of the saw blade must be wider than the thickness of the riving knife.

2. Cutting procedures warnings

- a.  **DANGER** Never place your fingers or hands in the vicinity or in line with the saw blade.** A moment of inattention or a slip could direct your hand towards the saw blade and result in serious personal injury.
- b. Feed the workpiece into the saw blade or cutter only against the direction of rotation.** Feeding the workpiece in the same direction that the saw blade is rotating above the table may result in the workpiece, and your hand, being pulled into the saw blade.
- c. Never use the miter gauge to feed the workpiece when ripping and do not use the rip fence as a length stop when cross cutting with the miter gauge.** Guiding the workpiece with the rip fence and the miter gauge at the same time increases the likelihood of saw blade binding and kickback.
- d. When ripping, always apply the workpiece feeding force between the fence and the saw blade. Use a push stick when the distance between the fence and the saw blade is less than 150 mm (6 in.), and use a push block when this distance is less than 50 mm (2 in.).** “Work helping” devices will keep your hand at a safe distance from the saw blade.
- e. Use only the push stick provided by the manufacturer or constructed in accordance with the instructions.** This push stick provides sufficient distance of the hand from the saw blade.
- f. Never use a damaged or cut push stick.** A damaged push stick may break causing your hand to slip into the saw blade.

- g. Do not perform any operation “freehand”.** Always use either the rip fence or the miter gauge to position and guide the workpiece. “Freehand” means using your hands to support or guide the workpiece, in lieu of a rip fence or miter gauge. Freehand sawing leads to misalignment, binding and kickback.
- h. Never reach around or over a rotating saw blade.** Reaching for a workpiece may lead to accidental contact with the moving saw blade.
- i. Provide auxiliary workpiece support to the rear and/or sides of the saw table for long and/or wide workpieces to keep them level.** A long and/or wide workpiece has a tendency to pivot on the table’s edge, causing loss of control, saw blade binding and kickback.
- j. Feed workpiece at an even pace. Do not bend or twist the workpiece. If jamming occurs, turn the tool off immediately, disconnect the battery pack from the tool, then clear the jam.** Jamming the saw blade by the workpiece can cause kickback or stall the motor.
- k. Do not remove pieces of cut-off material while the saw is running.** The material may become trapped between the rip fence or inside the saw blade guard and the saw blade pulling your fingers into the saw blade. Turn the saw off and wait until the saw blade stops before removing material.
- l. Use an auxiliary fence in contact with the table top when ripping workpieces less than 2 mm (0.08 in) thick.** A thin workpiece may wedge under the rip fence and create a kickback.

3. Kickback causes and related warnings

Kickback is a sudden reaction of the workpiece due to a pinched, jammed saw blade or misaligned line of cut in the workpiece with respect to the saw blade or when a part of the workpiece binds between the saw blade and the rip fence or other fixed object.

Most frequently during kickback, the workpiece is lifted from the table by the rear portion of the

SAVE THESE INSTRUCTIONS

Safety Instructions for Table Saws

saw blade and is propelled towards the operator.

Kickback is the result of saw misuse and/or incorrect operating procedures or conditions and can be avoided by taking proper precautions as given below.

- a. **Never stand directly in line with the saw blade. Always position your body on the same side of the saw blade as the fence.** Kickback may propel the workpiece at high velocity towards anyone standing in front and in line with the saw blade.
- b. **Never reach over or in back of the saw blade to pull or to support the workpiece.** Accidental contact with the saw blade may occur or kickback may drag your fingers into the saw blade.
- c. **Never hold and press the workpiece that is being cut off against the rotating saw blade.** Pressing the workpiece being cut off against the saw blade will create a binding condition and kickback.
- d. **Align the fence to be parallel with the saw blade.** A misaligned fence will pinch the workpiece against the saw blade and create kickback.
- e. **Use a featherboard to guide the workpiece against the table and fence when making non-through cuts such as rabbeting, dadoing or resawing cuts.** A featherboard helps to control the workpiece in the event of a kickback.
- f. **Use extra caution when making a cut into blind areas of assembled workpieces.** The protruding saw blade may cut objects that can cause kickback.
- g. **Support large panels to minimize the risk of saw blade pinching and kickback.** Large panels tend to sag under their own weight. Support(s) must be placed under all portions of the panel overhanging the table top.
- h. **Use extra caution when cutting a workpiece that is twisted, knotted, warped or does not have a straight edge to guide it with a miter gauge or along the fence.** A warped, knotted, or twisted workpiece is unstable and causes misalignment of the kerf with the saw blade, binding and kickback.
 - i. **Never cut more than one workpiece, stacked vertically or horizontally.** The saw blade could pick up one or more pieces and cause kickback.
 - j. **When restarting the saw with the saw blade in the workpiece, center the saw blade in the kerf so that the saw teeth are not engaged in the material.** If the saw blade binds, it may lift up the workpiece and cause kickback when the saw is restarted.
 - k. **Keep saw blades clean, sharp, and with sufficient set. Never use warped saw blades or saw blades with cracked or broken teeth.** Sharp and properly set saw blades minimize binding, stalling and kickback. Cleaning accumulated sap or plastic from the tips and body of the blade will reduce overheating and binding of the blade. When cutting plastic materials, avoid melting the plastic.
 - l. **Do not release the workpiece until you have pushed it all the way past the saw blade.** Failure to do so may cause kickback and personal injury.
 - m. **Do not confine the cut-off piece when ripping or cross cutting.** Confining the cut-off piece when ripping or cross cutting may cause kickback and personal injury.
 - n. **Replace or sharpen the anti-kickback pawls when points become dull.** Sharp anti-kickback pawls minimize kickback.
 - o. **Keep sawblade guard, riving knife and anti-kickback pawls in place and operating properly.** The riving knife must be in alignment with the sawblade and the pawls must stop a kickback once it has started. Check their action before ripping. Keeping these parts operating properly minimizes kickback.

4. Table saw operating procedure warnings

- a. **Turn off the table saw and disconnect the battery pack when removing the table insert, changing the saw blade or making adjustments to the riving knife, anti-kickback device or blade guard, and when the machine is left unattended.** Precautionary measures will avoid accidents.

SAVE THESE INSTRUCTIONS

Safety Instructions for Table Saws

- b. Never leave the table saw running unattended. Turn it off and don't leave the tool until it comes to a complete stop.** An unattended running saw is an uncontrolled hazard.
- c. Locate the table saw in a well-lit and level area where you can maintain good footing and balance. It should be installed in an area that provides enough room to easily handle the size of your workpiece.** Cramped, dark areas, and uneven slippery floors invite accidents.
- d. Frequently clean and remove sawdust from under the saw table and/or the dust collection device.** Accumulated sawdust is combustible and may self-ignite.
- e. The table saw must be secured.** A table saw that is not properly secured may move or tip over.
- f. Remove tools, wood scraps, etc.** from the table before the table saw is turned on. Distraction or a potential jam can be dangerous.
- g. Always use saw blades with correct size and shape (diamond versus round) of arbor holes.** Saw blades that do not match the mounting hardware of the saw will run off-center, causing loss of control.
- h. Never use damaged or incorrect saw blade mounting means such as flanges, saw blade washers, bolts or nuts.** These mounting means were specially designed for your saw, for safe operation and optimum performance.
- i. Never stand on the table saw, do not use it as a stepping stool.** Serious injury could occur if the tool is tipped or if the cutting tool is accidentally contacted.
- j. Make sure that the saw blade is installed to rotate in the proper direction. Do not use grinding wheels, wire brushes, or abrasive wheels on a table saw.** Improper saw blade installation or use of accessories not recommended may cause serious injury.
- k. Use only accessories that are recommended by the manufacturer for your model.** Accessories that may be suitable for one tool, may become hazardous when used on another tool.
- l. If you stall or jam the sawblade in the workpiece, turn saw "OFF" and eliminate reason for stalling or jamming before restarting. Remove the workpiece from the sawblade, and replace if it is binding. Check to see if the sawblade is parallel to the table slots or grooves and if the riving knife is in proper alignment with the sawblade.** If ripping at the time, check to see if rip fence is parallel with the sawblade. Readjust as indicated.
- m. Do not remove small pieces of cut-off material that may become trapped inside the blade guard while the saw is running. Turn saw "OFF" and wait until blade stops.** Removal of such pieces while saw is running could endanger your hands or cause a kickback.
- n. Crosscutting operations are more conveniently worked and with greater safety if an auxiliary wood facing is attached to the miter gauge.** See page 46.
- o. Do not use any blade or other cutting tool marked for an operating speed less than 5500 R.P.M.** Using a blade or other cutting tool that is rated less could cause personal injury. Never use a cutting tool larger in diameter than the diameter for which the saw was designed. For greatest safety and efficiency when ripping, use the maximum diameter blade for which the saw is designed, since under these conditions the riving knife is nearest the blade.
- p. Make sure the table insert is flush or slightly below the table surface on all sides except for rear side. NEVER operate the saw unless the proper insert is installed.** Operation without proper insert can lead to kickback and personal injury.
- q. Avoid overheating the blade tips.**

SAVE THESE INSTRUCTIONS

Additional Safety Rules

THINK SAFETY

SAFETY IS A COMBINATION OF OPERATOR COMMON SENSE AND ALERTNESS AT ALL TIMES WHEN THE TABLE SAW IS BEING USED.

GFCI and personal protection devices like electrician's rubber gloves and footwear will further enhance your personal safety.

Do not use AC only rated tools with a DC power supply. While the tool may appear to work, the electrical components of the AC rated tool are likely to fail and create a hazard to the operator.

Develop a periodic maintenance schedule for your tool. When cleaning a tool be careful not to disassemble any portion of the tool since internal wires may be misplaced or pinched or safety guard return springs may be improperly mounted. Certain cleaning agents such as gasoline, carbon tetrachloride, ammonia, etc. may damage plastic parts.



The operation of any power tool can result in foreign objects being thrown into the eyes, which can result in severe eye damage. Always wear safety goggles that comply with ANSI Z87.1

(shown on package) before commencing power tool operation.

⚠ WARNING Some dust created by power sanding, sawing, grinding, drilling, and other construction activities contains chemicals known to cause cancer, birth defects or other reproductive harm. Some examples of these chemicals are:

- Lead from lead-based paints,
- Crystalline silica from bricks and cement and other masonry products, and
- Arsenic and chromium from chemically-treated lumber.

Your risk from these exposures varies, depending on how often you do this type of work. To reduce your exposure to these chemicals: work in a well ventilated area, and work with approved safety equipment, such as those dust masks that are specially designed to filter out microscopic particles.

Before each use, review all warnings located on the table saw.

Intended Use

⚠ WARNING Use this table saw only as intended. Unintended use may result in personal injury and property damage.

This table saw is intended for rip, cross, miter, bevel and non-through cut applications in various wood and plastic materials.

Do not use this table saw for cutting metals, such as aluminum or copper, or any masonry or cement materials.

Do not use wobble or adjustable dado sets with this table saw.

If cutting plastic, make sure the feed rate is slow enough and blade tips are sharp enough to avoid melting the plastic.


Do not use molding head cutters with this table saw.

Do not perform tapered cuts without a tapered jig accessory.

SAVE THESE INSTRUCTIONS

Specifications

GTS18V-08 Table Saw

Voltage:	18 V 
No load speed:	5500/min (RPM) *
Blade diameter:	Ø 8-1/4" (210 mm)
Allowed ambient temperature	
- during charging:	32 °F...115 °F (0 °C...+45 °C)
- during operation:	14 °F...122 °F (-20 °C...+50 °C)
- during storage:	0 °F...122 °F (0 °C...50 °C)

* Using Core18V battery packs 4.0 Ah, 8.0 Ah, 12 Ah

Battery Packs/Chargers



Please refer to the battery/charger list, included with your tool.

Cutting Capacities

Rip cut right - silver pins:	0" - 20" (0 mm - 508 mm)
Maximum rip cut right - black pins:	5"- 25" (127 mm - 635 mm)
Maximum rip cut left:	12" (305 mm)
Depth of cut at 90°:	2-1/2" (63.5 mm)
Depth of cut at 45°:	1-3/4" (44.5 mm)
Factory set bevel range:	0° / 45°
Bevel range without stops:	-2° / 47°
Dado blade diameters:	6" (152 mm)
Maximum dado stack width:	1/2" (12.7 mm)









Symbols

Important: Some of the following symbols may be used on your tool. Please study them and learn their meaning. Proper interpretation of these symbols will allow you to operate the tool better and safer.

Symbol	Designation/Explanation
V	Volts (voltage)
A	Amperes (current)
Hz	Hertz (frequency, cycles per second)
W	Watt (power)
kg	Kilograms (weight)
min	Minutes (time)
s	Seconds (time)
CFM	Cubic feet per minute [or ft ³ /min] (air flow rate)
∅	Diameter (size of drill bits, grinding wheels, etc.)
n ₀	No load speed (rotational speed, at no load)
n	Rated speed (Maximum attainable speed)
.../min	Revolutions or reciprocation per minute (revolutions, strokes, surface speed, orbits etc. per minute)
0	Off position (zero speed, zero torque...)
1, 2, 3, ... I, II, III,	Selector settings (speed, torque or position settings. Higher number means greater speed)
	Infinitely variable selector with off (speed is increasing from 0 setting)
	Arrow (action in the direction of arrow)
~	Type or a characteristic of current
≡	Type or a characteristic of current
⌚	Type or a characteristic of current
□	Designates Double Insulated Construction tools
⊕	Grounding terminal

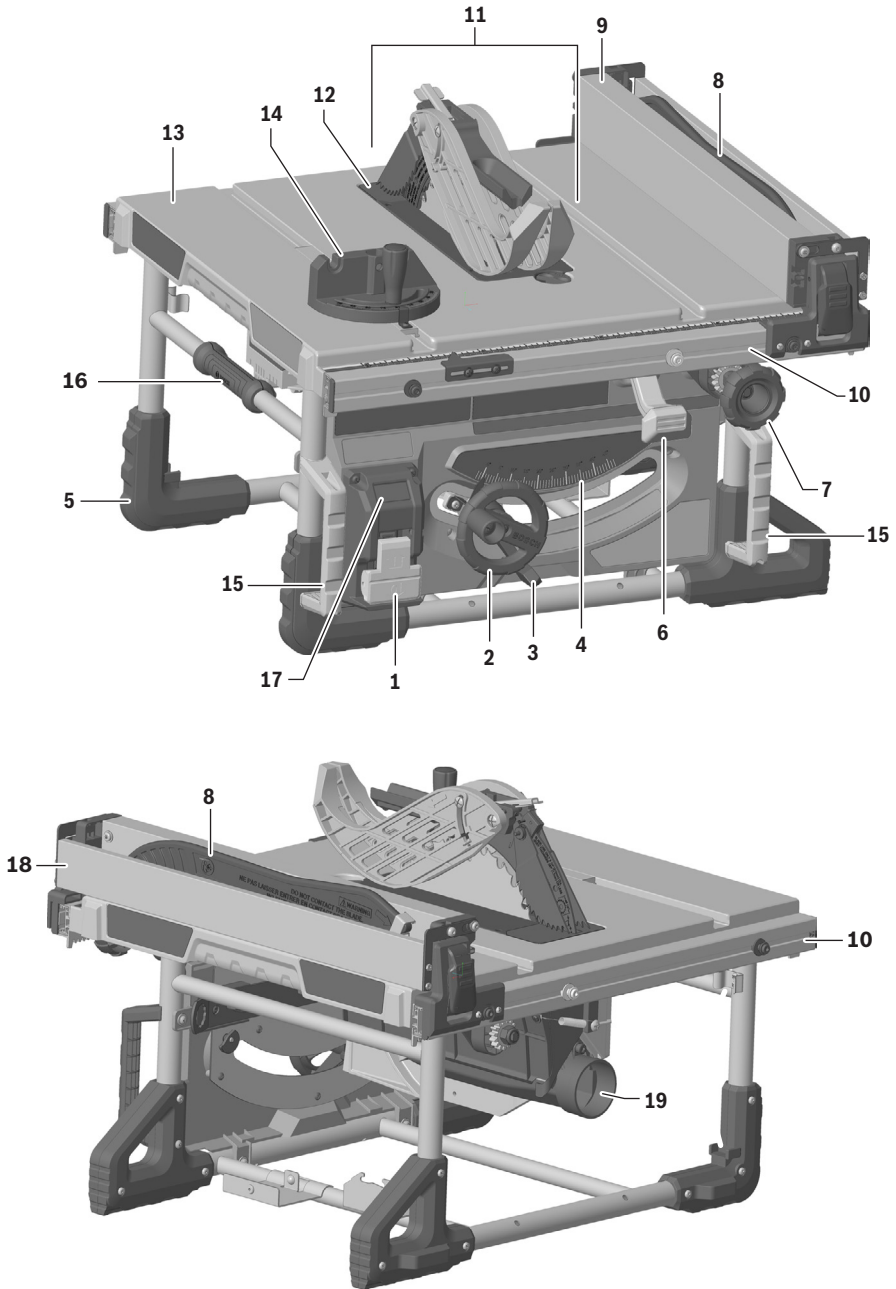
Symbols

Important: Some of the following symbols may be used on your tool. Please study them and learn their meaning. Proper interpretation of these symbols will allow you to operate the tool better and safer.

Symbol	Designation/Explanation
	Designates Li-ion battery recycling program.
	Alerts user to read manual.
	Alerts user to wear eye protection.
	This symbol designates that this tool is listed by Underwriters Laboratories.
	This symbol designates that this tool is listed by Underwriters Laboratories, to United States and Canadian Standards.
	This symbol designates that this tool is listed by the Canadian Standards Association.
	This symbol designates that this tool is listed by the Canadian Standards Association, to United States and Canadian Standards.
	This symbol designates that this tool is listed by the Intertek Testing Services, to United States and Canadian Standards.

Getting to Know Your GTS18V-08 Table Saw

Fig. 1



Getting to Know Your GTS18V-08 Table Saw

- 1 Power Switch** is used to turn the tool on and off. The Power Switch incorporates a locking hasp for use with a padlock to prevent accidental starting.
- 2 Elevation Wheel** elevates or lowers the blade. Use with Blade Bevel Lock Handle **3** to tilt the Blade 0° to 45°.
- 3 Blade Bevel Lock Handle** locks the Blade to desired bevel angle.
- 4 Blade Bevel Scale** shows the degree the Blade is tilted.
- 5 Base** supports the table saw. Holes in the Base allow the saw to be bolted to a workbench or stand.
- 6 Rail Lock Lever** allows you to lock the Rip Fence **9** at the desired distance from the Blade.
- 7 Rail Adjustment Knob** is used to adjust the position of the Rip Fence **9**.
- 8 Push Stick** is a device used to feed the workpiece through the saw during narrow ripping-type operation. It helps keep the operator's hands well away from the Blade.
- 9 Rip Fence** attaches to the Rails **10** using the locking latches and guides the workpiece parallel to the blade.
- 10 Rails** provide mounting points for the Rip Fence **9** at the front and rear of the saw.
- 11 Smart Guard System** consists of an adjustable three-position Riving Knife, an Anti-Kickback Device, and a Barrier Guard Assembly. These are part of a modular system that requires no tools to assemble or disassemble. The Smart Guard System must always be in place and working properly for all through-sawing cuts.
- 12 Table Insert** provides workpiece support near the Blade. It can be removed to remove or install the Blade or other cutting tools and to adjust or store the Riving Knife.
- 13 Table** provides a large working surface to support workpiece.
- 14 Miter Gauge** head can be locked at the desired angle for crosscutting or mitering by tightening the Miter Gauge Lock Knob. ALWAYS SECURELY LOCK THE MITER GAUGE WHEN IN USE.
- 15 Adjustment Handles** may be used to help in positioning the saw. They are not intended to be used as carry handles.
- 16 One-Handed Carry Handle** is used to carry the saw.
- 17 Fuel Gauge** indicates the approximate level of charge remaining in the Battery Pack.
- 18 Flip-Over Fence** is attached to the Rip Fence **9**. The Flip-Over Fence, in the lower position, provides material support and, in the upper position, provides support for workpieces 1/8 to 3/4 of an inch (3.2 to 20 mm) thick.
- 19 Dust Port/Vacuum Hook-Up** allows you to attach any 2-1/4" vacuum hose to the dust port for convenient sawdust removal. An adaptor is available for use with alternate hose sizes.

Glossary

Anti-Kickback Device (also known as dogs or pawls): Spring-loaded pawls that engage the work piece as it is being fed through the saw. They restrict movement of the work piece back in the direction of the operator.

Arbor: The shaft on which a cutting tool is mounted.

Barrier Guard: An assembly that consists of the mounting fork and two side barriers. This assembly is intended to provide a physical barrier between the operator and the spinning saw blade.

Bevel: Blade angle relative to the table surface.

Crosscut: A cutting or shaping operation made across the width of the workpiece cutting the workpiece to length.

Dado: A non-through cut which produces a square sided notch or trough in the workpiece.

Featherboard: A device which can help guide workpieces during rip type operation by keeping workpiece in contact with the rip fence. It also helps prevent kickback.

Freehand: Performing a cut without a fence, miter gauge, fixture, hold down or other proper device to keep the workpiece from twisting during the cut and can be a safety hazard.

Gum: A sticky, sap-based residue from wood products. After it has hardened, it is referred to as “resin.”

Heel: Misalignment of the blade which causes the trailing or outfeed side of the blade to contact the cut surface of the workpiece. Heel can cause kickback, binding, excessive force, burning of the workpiece or splintering. In general, heel creates a poor quality cut and can be a safety hazard.

Kerf: The space in the workpiece where the material was removed by the blade.

Kickback: An uncontrolled grabbing and throwing of the workpiece back toward the front of the saw during a rip type operation.

Leading End: The end of the workpiece which, during a rip type operation, is pushed into the cutting tool first.

Molding: A non-through cut which produces a special shape in the workpiece used for joining or decoration.

Non-Through Sawing: Any cutting operation where the blade does not extend through the workpiece (e.g. Dado, Rabbet).

Parallel: Position of the rip fence equal in distance at every point to the side face of the saw blade.

Perpendicular: 90° (right angle) intersection or position of the vertical and horizontal planes such as the position of the saw blade (vertical) to the table surface (horizontal).

Push Block: A device used for ripping-type operations too narrow to allow use of a Push Stick. Use a Push Block for rip widths less than 2 inches (.

Push Stick: A device used to feed the workpiece through the saw during narrow ripping-type operation and helps keep the operator’s hands well away from the blade. Use the Push Stick for rip widths less than 6 inches (152 mm) and more than 2 inches (51 mm).

Rabbet: A notch in the edge of a workpiece. Also called an edge dado.

Revolutions Per Minute (R.P.M.): The number of turns completed by a spinning object in one minute.

Ripping: A cutting operation along the length of the workpiece cutting the workpiece to width.

Riving Knife or Splitter: A device that keeps the kerf of the work piece open as the material is cut. This minimizes the potential of the workpiece binding against the saw blade.

Smart Guard: A system made up of 3 components: Riving Knife / Splitter, Anti-Kickback Device, and Main Barrier Guard.

Through Sawing: Any cutting operation where the blade extends through the workpiece.

Throwback: Event when a small cut-off piece is caught by the back of the blade and thrown toward the operator.

Workpiece: The item on which the cutting operation is being performed. The surfaces of a workpiece are commonly referred to as faces, ends and edges.

Unpacking and Checking Contents

Unpacking the Table Saw

(Fig. 2, Fig. 3, Fig. 4)

⚠ WARNING To avoid injury from unexpected starting during unpacking and setting up, do not insert the Battery Pack.

⚠ WARNING If any parts are missing, do not attempt to assemble the table saw, insert the Battery Pack, or turn the Power Switch on until the missing parts are obtained and are installed correctly.

Your table saw is shipped complete in one carton.

Separate all parts from the packing materials, and check each one with the illustration and the list of loose parts to make certain all items are accounted for before discarding any packing material.

Fig. 2

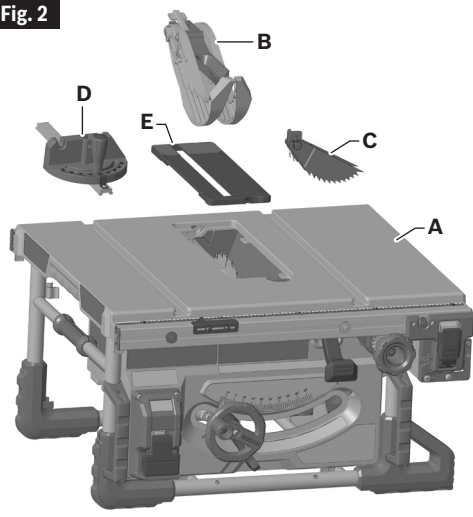


Fig. 3

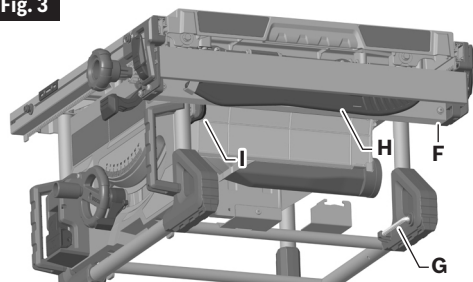
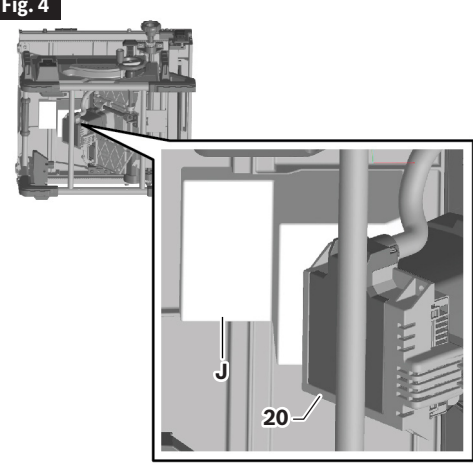


Fig. 4



Loose Parts (Fig. 2)

Item	Description	Qty.
A	Table Saw Assembly	1
B	Barrier Guard Assembly	1
C	Anti-Kickback Device	1
D	Miter Gauge	1
E	Table Insert	1

Parts Stowed on Saw (Fig. 3)

F	Rip Fence	1
G	Hex Wrench	1
H	Push Stick	1
I	Blade Wrench	1

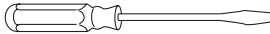
Items to Be Removed (Fig. 4)

J	Styrofoam Block	1
---	-----------------	---

NOTE: Tilt the saw up to gain access to the underside of the saw and remove the Styrofoam Block **J** (which is included for shipping purposes only) that is located between the underside of the Table **13** and the Motor **20**. If the Styrofoam Block is not removed, you may cause damage to the blade elevation system when trying to raise the Blade.

Tools Needed For Assembly

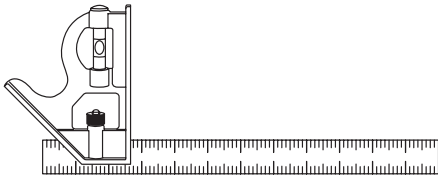
Fig. 5



Flat screwdriver



Phillips screwdriver



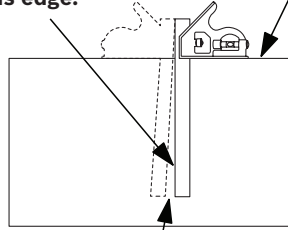
Combination Square

Fig. 6

Combination square must be true.

Draw light line on board along this edge.

Straight edge of board 3/4" (19 mm) thick. This edge must be perfectly straight.



There should be no gap or overlap here when square is flipped over in dotted position.

Assembly

⚠ WARNING To prevent personal injury, always disconnect the Battery Pack before performing any assembly, adjustment, or repair.

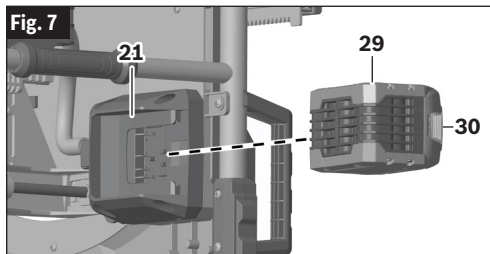
Inserting and Releasing the Battery Pack

(Fig. 7)

Slide a charged Battery Pack **29** into the Battery Bay **21** until the Battery Pack **29** locks into position.

Your tool is equipped with a secondary locking latch to prevent the Battery Pack **29** from completely falling out of the Battery Bay **21**, should it become loose due to vibration.

To disconnect the Battery Pack **29**, press the Battery Pack Release Button **30** and slide the Battery Pack **29** completely out of the Battery Bay **21**.

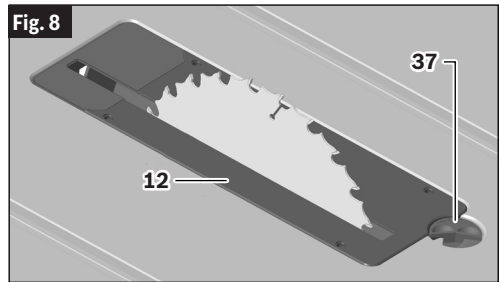


Removing and Installing the Table Insert

Removing the Table Insert

(Fig. 8)

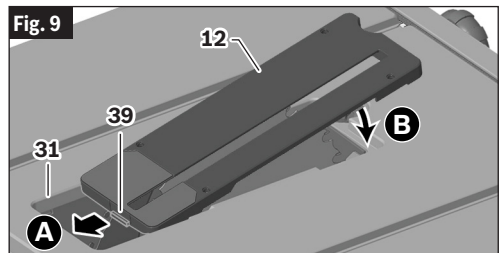
1. Rotate the Table Insert Lock **37** clockwise.
2. Lift the Table Insert **12** by the front edge, and lift it clear off the table.



Installing the Table Insert

(Fig. 8, Fig. 9)

1. Position the Table Insert Tab **39** into the pocket **A** and place the Table Insert **12** down **B**.
2. Make sure the Table Insert **12** is seated properly, and secure it in place using the Table Insert Lock **37**.



Assembly

Attaching the Smart Guard System

⚠ WARNING To prevent personal injury, always disconnect the Battery Pack before attaching or removing the Smart Guard System.

Positioning the Riving Knife

(Fig. 1, Fig. 10, Fig. 11, Fig. 12)

⚠ WARNING Fully secure the Riving Knife before using the table saw.

A loose Riving Knife may slip into the Blade and be thrown towards you.

1. Remove the Table Insert **12**. See “Removing the Table Insert” on page 18.
2. Raise the Blade **32** as high as it will go by rotating the Elevation Wheel **2** clockwise and set the Blade **32** perpendicular to the Table **13**, 0° on the Blade Bevel Scale **4**.
3. Unlock the Riving Knife Release Lever **41** by rotating it clockwise so that it points upward **A**.

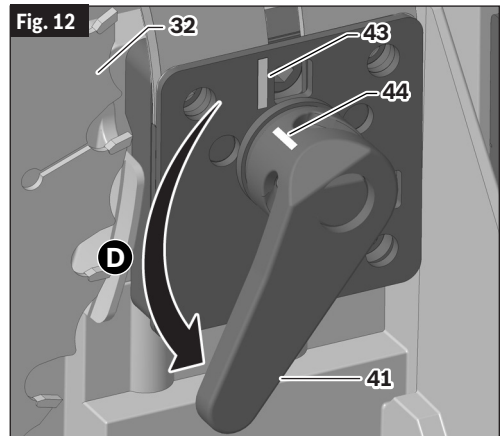
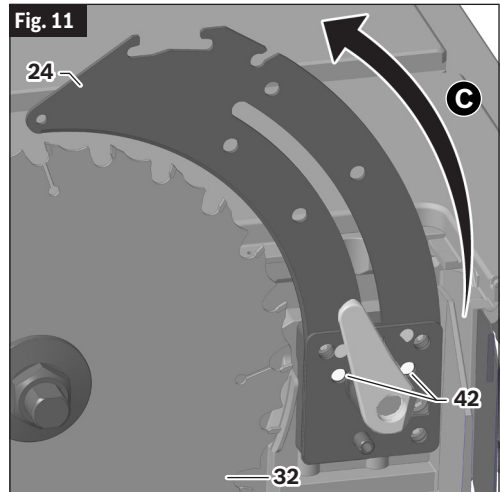
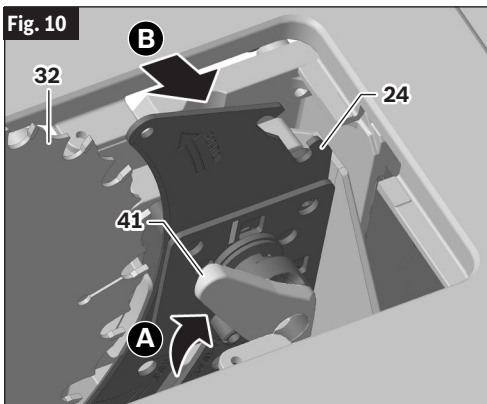
4. Pull the Riving Knife **24** towards the release lever to disengage it from the pins **B**.

NOTE: There is a slight spring force that must be overcome to release the Riving Knife **24**.

5. Slide the Riving Knife **24** up to its highest position **C** so that it is directly over the center of the Blade **32**.
6. Align the holes in the Riving Knife **24** with the Riving Knife Pins **42** and ensure the Pins **42** engage the Riving Knife **24** holes. Lock the Riving Knife Release Lever **41** by rotating it counterclockwise **D**. Firmly push the Release

Lever **41** to secure the Riving Knife **24** then push/pull the Riving Knife **24** to verify that it is locked in place. The Indicator Line on the Riving Knife Clamping Plate **43** and the Indicator Line on the Riving Knife Release Lever **44** must be aligned (Fig. 12).

7. Check the alignment of the Riving Knife **24** with the Blade **32**. See “Riving Knife Alignment” on page 37. If the Riving Knife **24** is not aligned with the Blade **32**, then repeat the process of positioning the Riving Knife **24** and make sure that the Pins **42** are fully engaged in the Riving Knife holes.
8. Replace the Table Insert **12** and lock. See “Installing the Table Insert” on page 18.

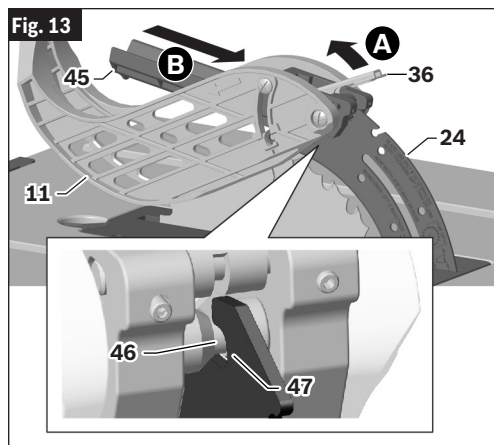


Assembly

Attaching the Barrier Guard Assembly

(Fig. 13, Fig. 14)

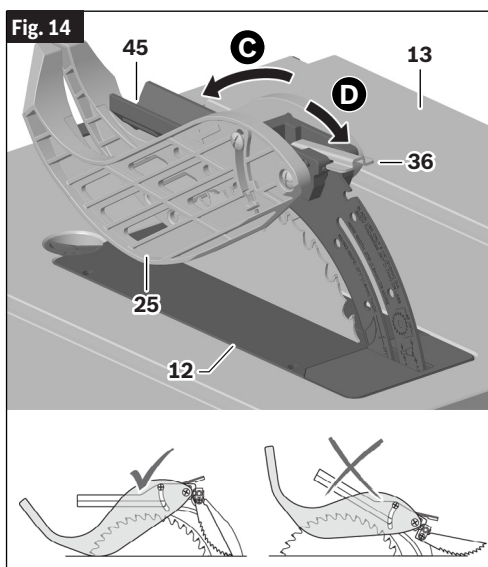
9. With one hand, hold the front of the Barrier Guard Assembly **11** by the Fork **45**. With the other hand, hold the Barrier Guard Assembly Release Lever **36** up **A**.
10. Lower the rear of the Barrier Guard Assembly **25**, and slip its Cross Bar **46** into the Notch for the Barrier Guard Assembly **47** on the end of the Riving Knife **24**.
11. Lower the front of the Barrier Guard Assembly **25** until the Fork **45** is parallel with the Table **13** **C**.
12. Press down on the Barrier Guard Assembly Release Lever **36** until you feel and hear it snap into the locking position **D**. Check that the Barrier Guard Assembly **25** is securely connected.



Attaching the Anti-Kickback Device

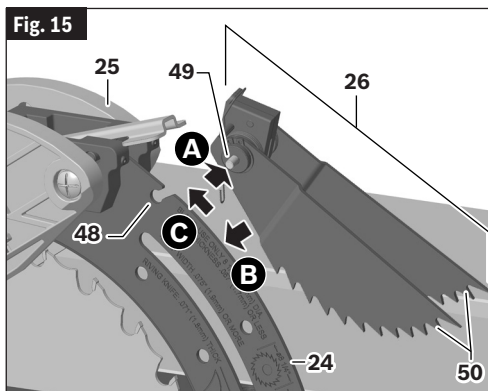
(Fig. 15)

13. Squeeze the Anti-Kickback Device's Compression Pin **49** **A**, and position the Anti-Kickback Device **26** on the top edge of the Riving Knife **24**, below the Notch **48** **B**.
14. Slide the Anti-Kickback Device **26** up the top edge of the Riving Knife **24** until it drops into the Notch **48** **C**.
15. Release the Compression Pin **49** so that the Anti-Kickback Device **26** locks onto the Riving Knife **24** immediately behind the Barrier Guard Assembly **25**.



16. Check that the Compression Pin **49** is securely connected into the Notch **48** by carefully raising and lowering the Pawls **50**. When you let go of the spring-loaded Pawls **50**, they must come down and contact the Table Insert **12**.

NOTE: The Anti-Kickback Device **26** is independent of the Barrier Guard Assembly **25**, so the Anti-Kickback Device **26** can be attached before the Barrier Guard Assembly **25**.



Assembly

Selecting and Changing the Blade

⚠ WARNING To avoid possible injury, disconnect the Battery Pack before changing blades.

Using the Correct Blade

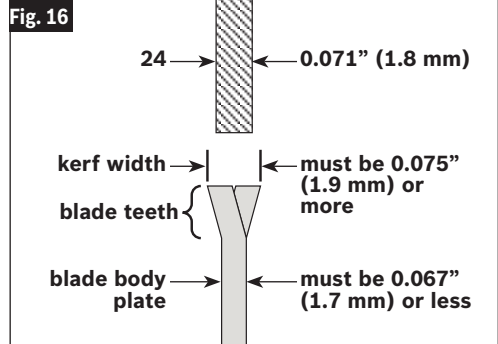
(Fig. 16)

IMPORTANT: The saw Blade provided on this tool has a carbide-tipped kerf width of 0.075" (1.9 mm) and a blade body plate thickness of 0.067" (1.7 mm). When looking for a replacement blade, select one with dimensions close to the original blade. This information may not be printed on the blade's packaging. If not, check the manufacturer's catalog or website. Bosch offers an extensive line of Premium-Quality Professional Saw Blades that match the requirements for this tool. You must select a blade with a kerf width of 0.075" (1.9 mm) or more and a blade body plate thickness of 0.067" (1.7 mm) or less.

⚠ WARNING To reduce the risk of injury, do not use extra thin kerf saw blades. The kerf of the blade must be wider than 0.075" (1.9 mm). Extra thin saw blades with a kerf width less than 0.075" (1.9 mm) may cause the work piece to bind against the Riving Knife during cutting. It is recommended that the kerf of the replacement blade used on this saw be 0.075" (1.9 mm) or more.

⚠ WARNING To reduce the risk of injury, do not use saw blades made with a thick body plate. If the replacement saw blade body plate's thickness is greater than 0.067" (1.7 mm), the Riving Knife would not properly serve as an aid to reduce kickback. The replacement blade body plate's thickness must be 0.067" (1.7 mm) or less.

⚠ WARNING To reduce the risk of injury, do not use blade "dampeners," "stabilizers," or "stiffening collars" on both sides of a replacement blade. These are metal plates positioned against the sides of the blade to reduce deflection that may occur when using thin saw blades. Use of these devices on both sides will prevent the blade from being properly aligned with the Riving Knife, which may bind the work piece during cutting. One "stabilizer" plate may be placed only against the outside of a thin replacement blade. These plates are not required with the supplied Bosch Blade.



Changing the Blade

(Fig. 1, Fig. 17, Fig. 18, Fig. 19)

⚠ CAUTION Always wear gloves when changing or handling blades.

Blade tips can cause personal injury.

1. Turn the Elevation Wheel **2** clockwise until the Blade **32** is up as high as it will go.
2. Remove the Table Insert **12**. See "Removing the Table Insert" on page 18.
3. Lift up the Arbor Lock Lever **51** **A**, and slowly rotate the Blade **32** by hand until the lock fully engages the saw's Arbor Shaft **52** and stops rotation.
4. Loosen the Arbor Nut **53** counterclockwise **B** with the Blade Wrench **27** provided.
5. Set the Blade Wrench **27** aside, continue to loosen the Arbor Nut **53** by hand, and remove the Arbor Nut **53** and Outer Washer **54**. The Blade **32** may now be removed by sliding it off the Arbor Shaft **52**, leaving the Inner Washer **55** on the Arbor Shaft **52**.
6. Install the new Blade **32** on the Arbor Shaft **52**, MAKING CERTAIN THE TEETH OF THE BLADE **32** ARE POINTING DOWN AT THE FRONT OF THE TABLE **13**.
NOTE: Different saw blades have the printing on different sides.
7. Install the Outer Washer **54** and Arbor Nut **53**.
8. Lift up the Arbor Lock Lever **51**, and securely tighten the Arbor Nut **53** clockwise **C** with the Blade Wrench **27**.
9. Reinstall and secure the Table Insert **12**. See "Installing the Table Insert" on page 18.

Assembly

Fig. 17

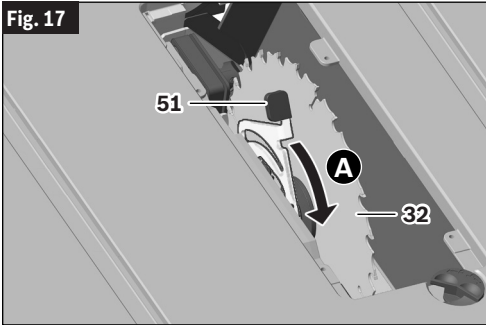


Fig. 18

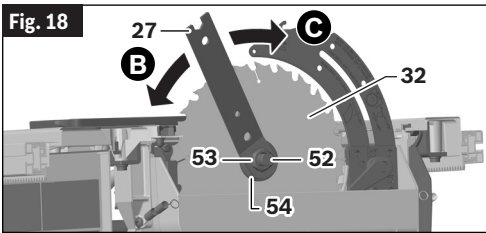
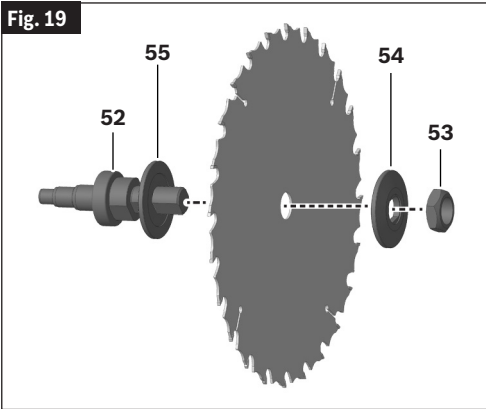


Fig. 19



Attaching the Rip Fence

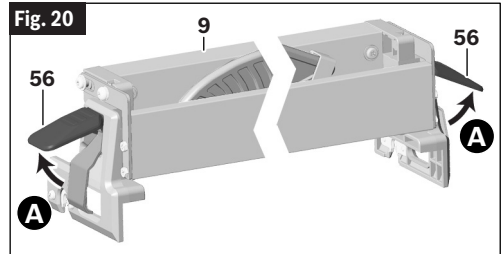
(Fig. 20, Fig. 21, Fig. 22, Fig. 23, Fig. 24, Fig. 25)

1. Make sure that the Rail Lock Lever **6** is in the locked position.
2. Lift the Rip Fence Lock Levers **56** up on both ends of the Rip Fence **9** so that they are in the released position **A**.
3. Orient the Rip Fence **9** over one of the three Rip Fence Index Pin pairs, **57**, **58**, or **59**, so that the Flip-Over Fence **18**, in its stored position, is facing away from the Blade **32** and the Smart Guard System **11**.

NOTE: For how to put the Flip-Over Fence **18** in its stored position, see “Rip Fence Storage” on page 26.

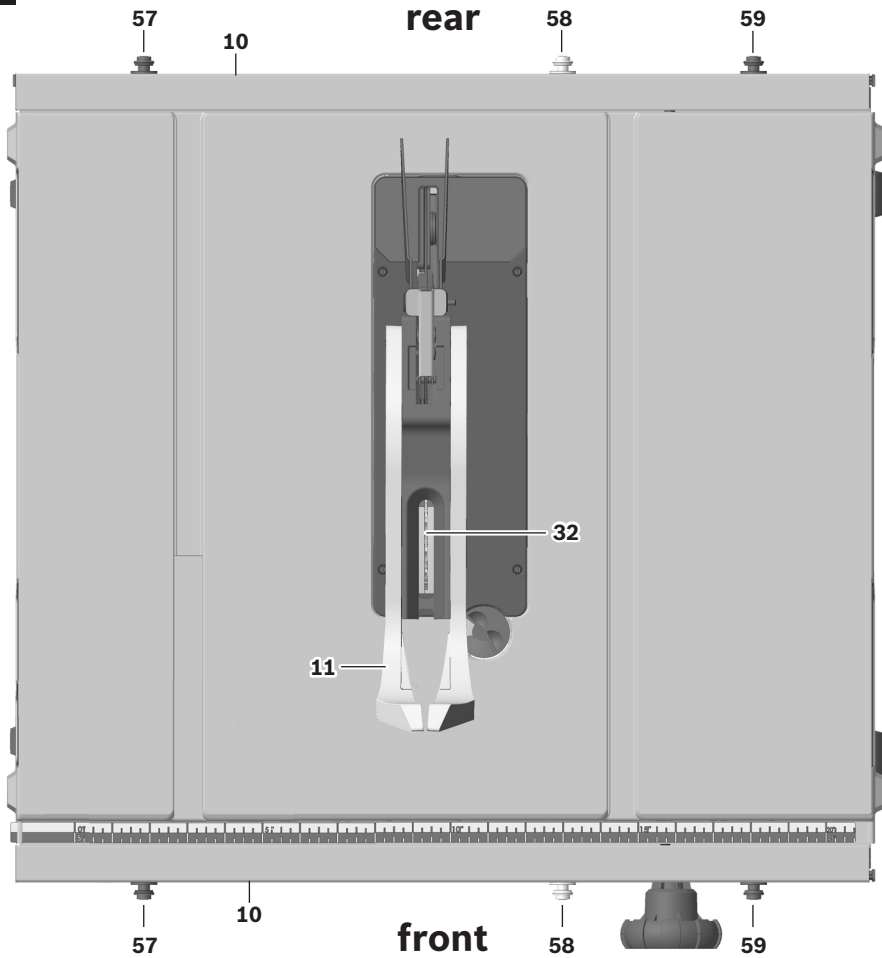
4. Lower the Rip Fence **9** to the Rails **10** so that the notches on the Rip Fence bracket **60** line up with the Rip Fence Index Pin pair that you have selected, **57**, **58**, or **59**, and lower the Rip Fence **9** onto the Index Pin pair **B**.
5. Latch the Rip Fence Lock Levers **56** on both ends of the Rip Fence **9** **C**.

Fig. 20



Assembly

Fig. 21



Assembly

Fig. 22

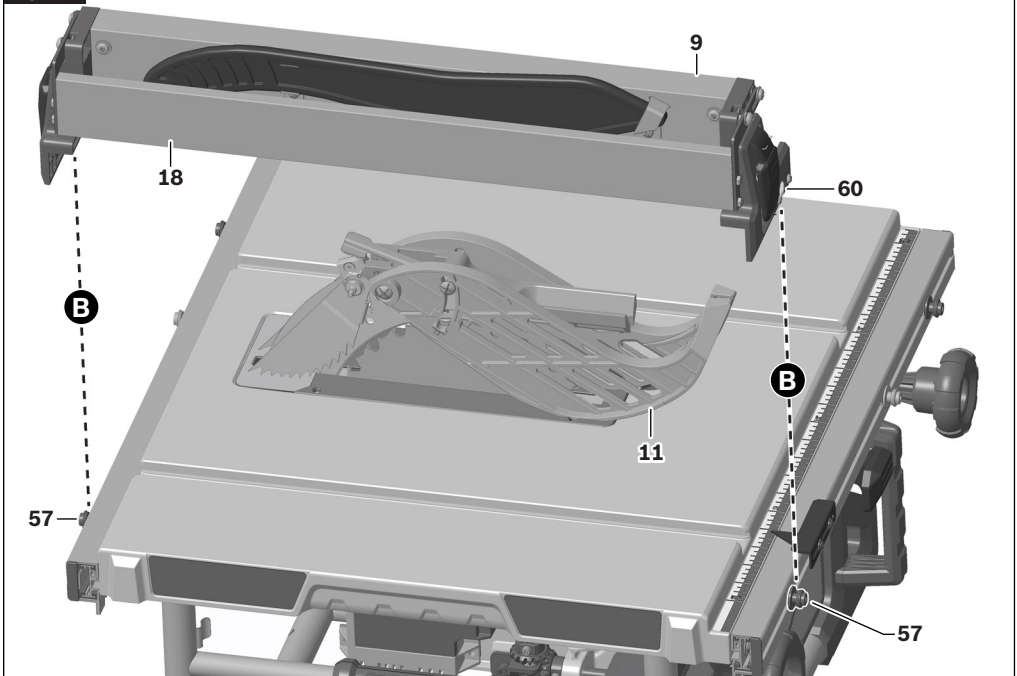
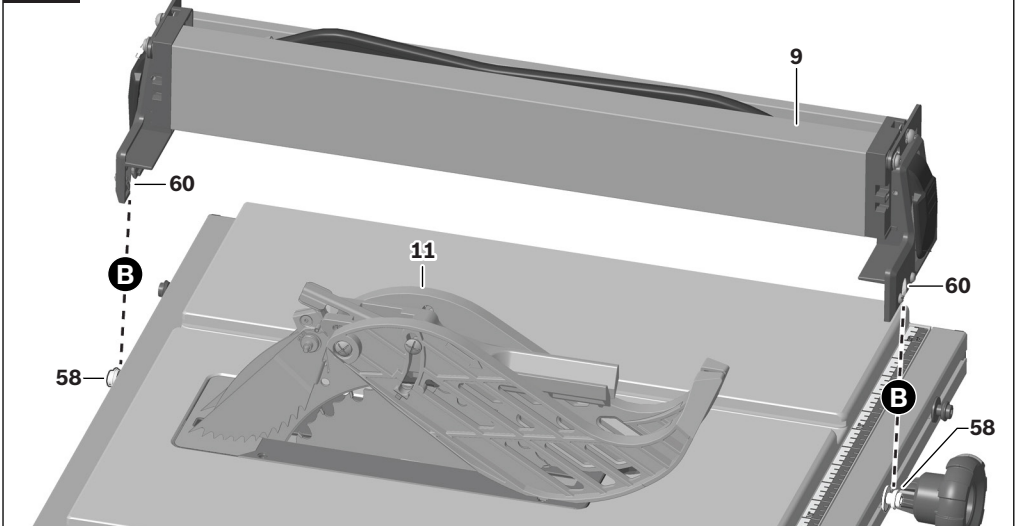


Fig. 23



Assembly

Fig. 24

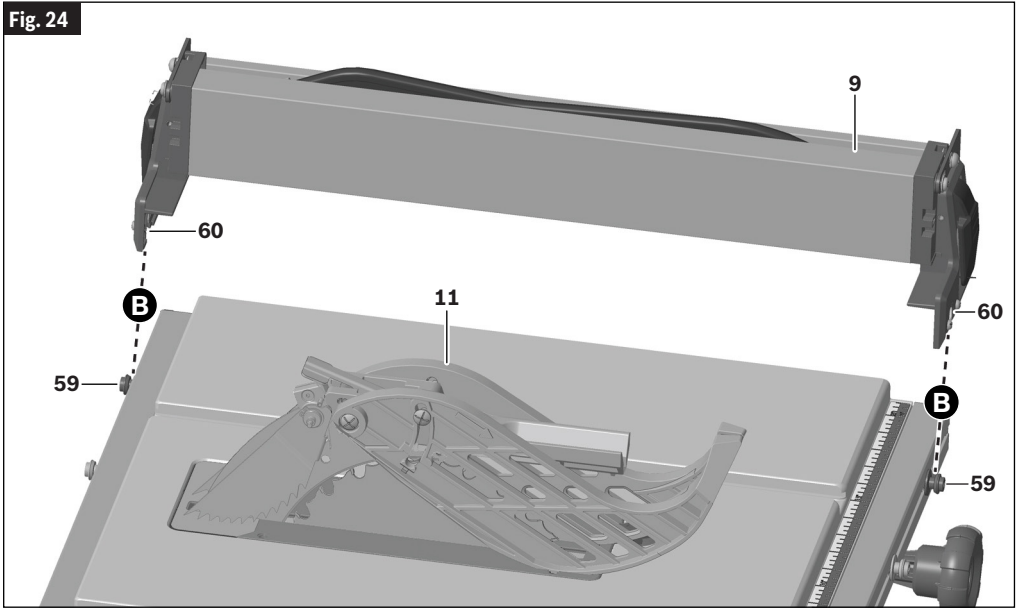
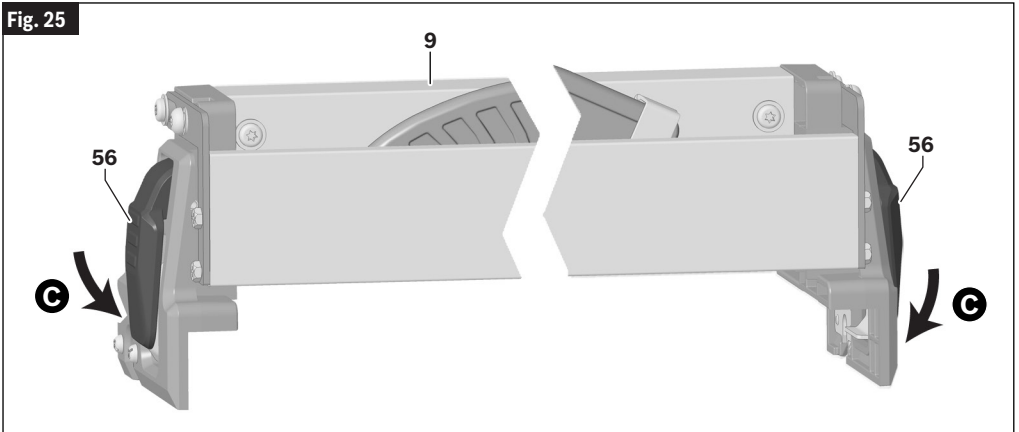


Fig. 25



Storage, Transportation, and Mounting

⚠ WARNING To prevent personal injury, always disconnect the Battery Pack before performing any assembly, adjustment, or repair.

Miter Gauge Storage

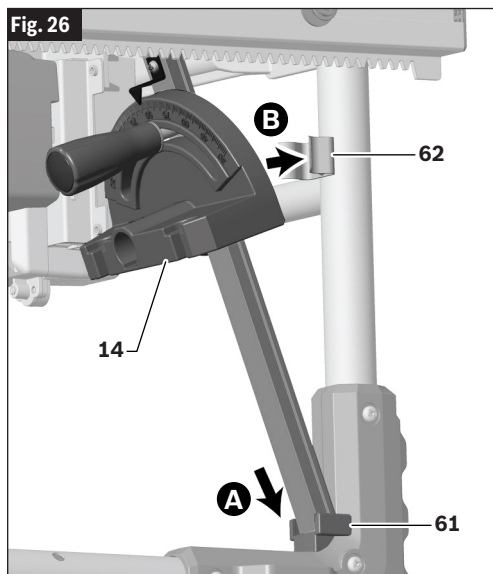
(Fig. 26)

When not in use, store the Miter Gauge under the back left side of the Table.

1. Insert the front end of the Miter Gauge **14** into the Miter Gauge Storage Slot **61** located on the saw's rear left foot **A**.
2. Snap the Miter Gauge extrusion into the Miter Gauge Storage Clip **62 B**.

To remove the Miter Gauge **14** from its storage location, reverse the steps above.

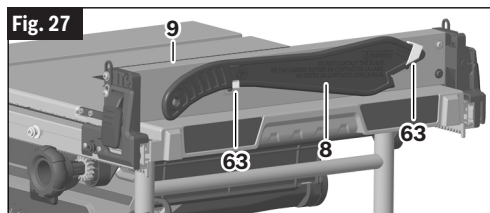
NOTE: The Miter Gauge Storage Clip **62** may be stiff, requiring extra effort to fully seat or remove the Miter Gauge extrusion. If necessary, the Miter Gauge **14** bar can be inserted or removed one side at a time to reduce the effort required.



Push Stick Storage

(Fig. 27)

When not in use, store the Push Stick **8** in the Push Stick Clips **63** on the Rip Fence **9**.



Rip Fence Storage

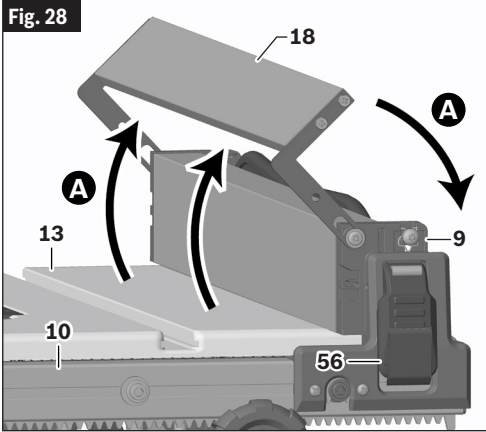
(Fig. 28, Fig. 29, Fig. 30)

When not in use, store the Rip Fence **18** under the right end of the table on the Rails **10**.

1. Make sure that the Flip-Over Fence **18** is in its storage position **A**.
2. Unlock both of the Rip Fence Lock Levers **56**.
3. Remove the Rip Fence **9** from its in-use position on the Rails **10**. For more information, see "Attaching the Rip Fence" on page 22.
4. Unlock the Rails **10** and extend them approximately 2" (50 mm) to the right of the Table **13**.
5. On the right side of the saw, hold the Rip Fence **9** upside down under the Rails **10**. Make sure that the Flip-Over Fence **18** faces the outside of the saw.
6. Place the Rip Fence **9** on the front and rear Right Black Rip Fence Index Pins **59**. Continue to support the Rip Fence **9**.
7. Latch both Rip Fence Lock Levers **56**.
8. Slide the Rip Fence **9** until it is aligned with the edge of the Table **13**. Then engage the Rail Lock Lever **6**.

Storage, Transportation, and Mounting

Fig. 28



Smart Guard System Storage

⚠ WARNING Use of all the components of the Smart Guard System, including the Barrier Guard Assembly, Anti-Kickback Device, and Riving Knife, is highly recommended to provide protection against accidents and injury.

Barrier Guard Assembly Storage

(Fig. 31)

When not in use, store the Barrier Guard Assembly **25** under the right side of the Table **13**.

Lock the Barrier Guard Assembly **25** into place in the Barrier Guard Assembly Storage Position **64** in the same manner as you would attach it to the Riving Knife **24** but into the Barrier Guard Assembly Storage Position's Notch **65** **A B C D**. (See "Attaching the Barrier Guard Assembly" on page 20.)

Fig. 29

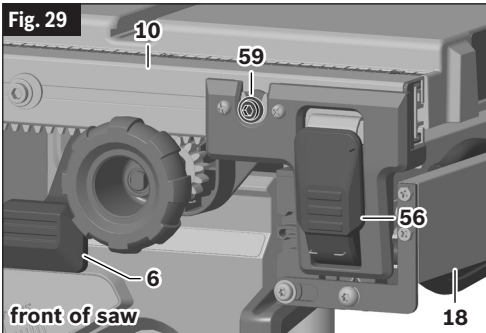
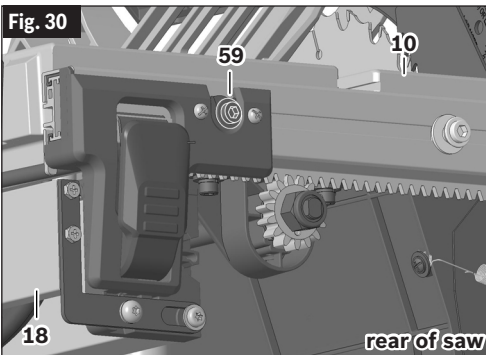
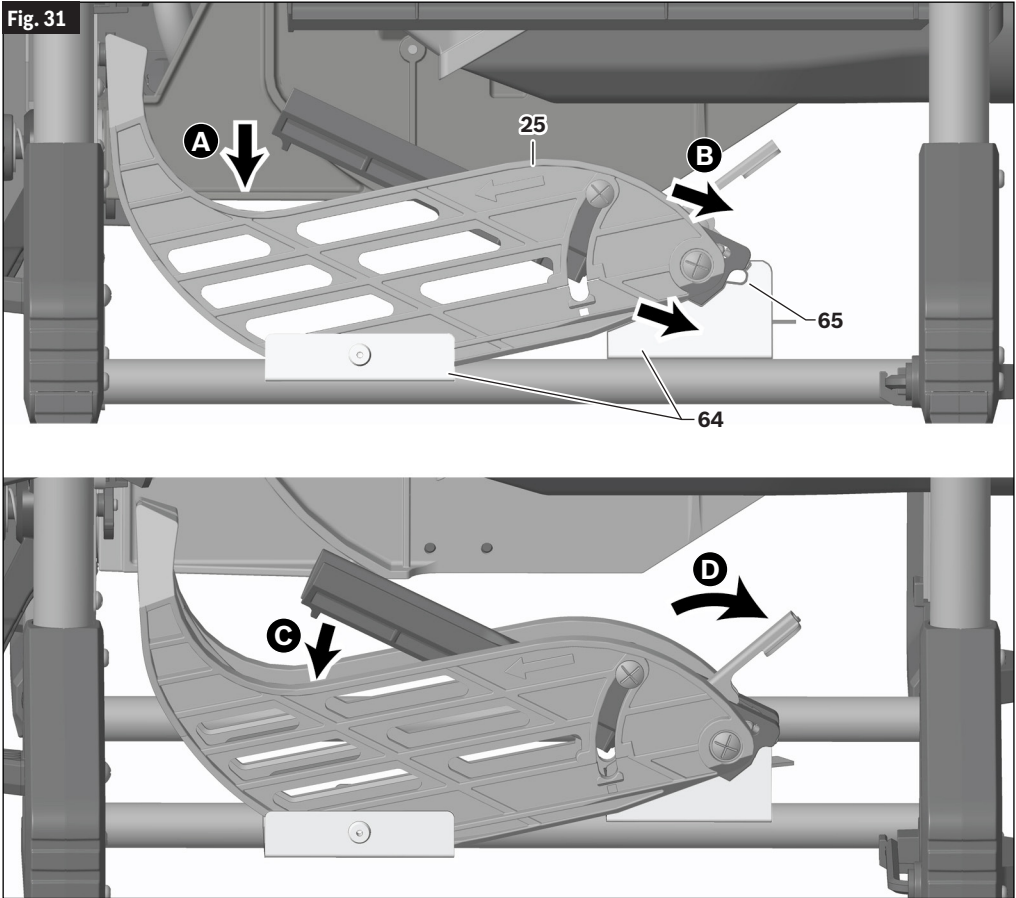


Fig. 30



Storage, Transportation, and Mounting

Fig. 31



Storage, Transportation, and Mounting

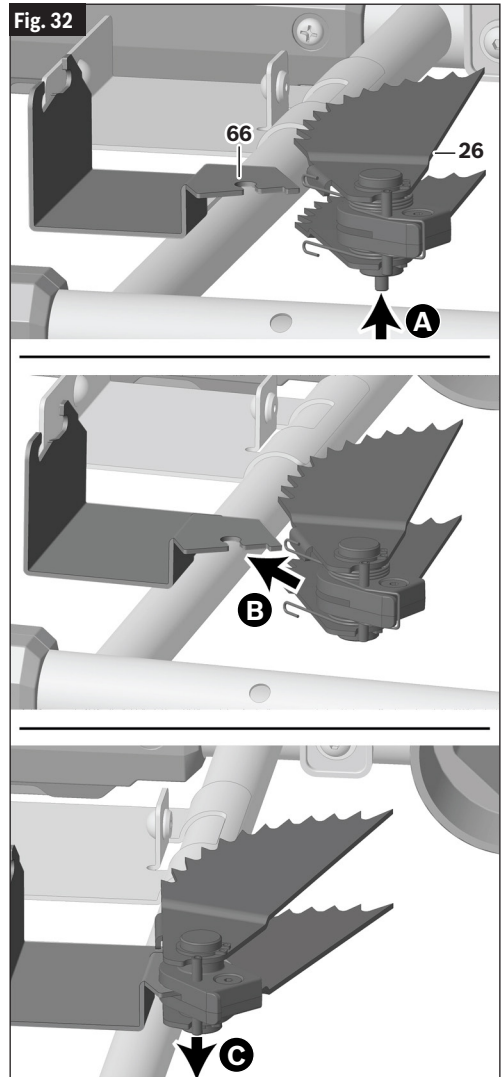
Anti-Kickback Device Storage

(Fig. 32)

When not in use, store the Anti-Kickback Device **26** under the right side of the Table **13**.

Attach the Anti-Kickback Device **26** to the Anti-Kickback Device Hanging Bracket **66** in the same manner that it attaches to the Riving Knife **24** **A** **B** **C**. (See “Attaching the Anti-Kickback Device” on page 20.)

Make sure that the Anti-Kickback Device **26** is securely attached to the Anti-Kickback Device Hanging Bracket **66**.



Storage, Transportation, and Mounting

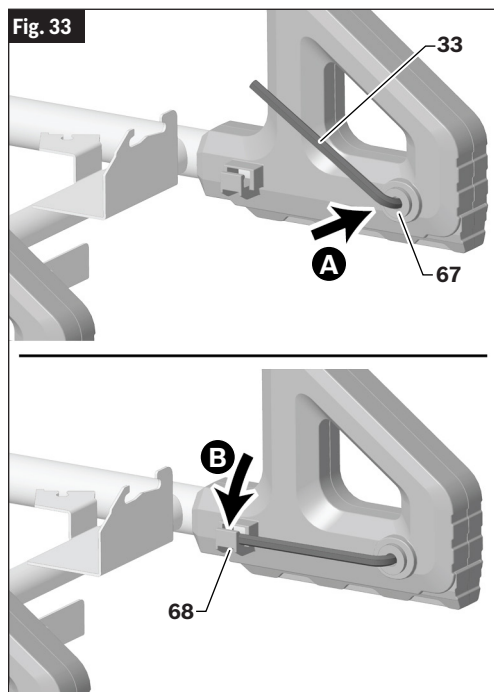
Hex Wrench Storage

(Fig. 33)

When not in use, store the Hex Wrench **33** on the rear right foot of the table saw's Base **5**.

To store the Hex Wrench:

1. Slide the short end of the Hex Wrench **33** into the Hex Wrench Storage Port **67** provided on the rear right foot of the saw **A**.
2. Rotate the Hex Wrench **33** counterclockwise, and push until the long end of the Wrench **33** snaps into the Hex Wrench Storage Bracket **68** **B**.



Blade Wrench Storage

(Fig. 34)

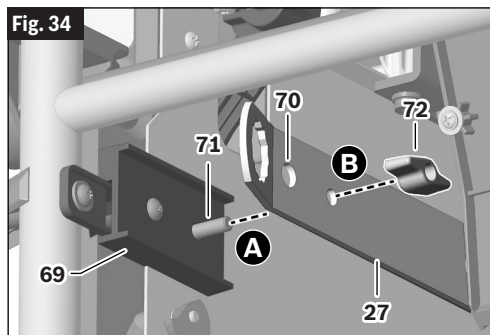
When not in use, store the Blade Wrench **27** on the Blade Wrench Bracket **69** provided on the front right side of the saw, directly under the Table **13**.

To store the Blade Wrench:

1. Line up the Mounting Hole on the Blade Wrench **70** with the Threaded Rod **71** on the Blade Wrench Bracket **69**, and slide the Blade Wrench **27** onto the Threaded Rod **71** until the Blade Wrench **70** nests in the Blade Wrench Bracket **69** **A**.
2. To secure the Blade Wrench **27** in place, install the Wingnut **72** provided onto the Threaded Rod **71** **B**, and tighten.

To remove the Blade Wrench **27**:

1. On the on the Blade Wrench Bracket **69**, loosen the Wingnut **72** securing the Blade Wrench **27** on the Threaded Rod **71**.
2. Slide the Blade Wrench **27** off the Threaded Rod **71**, and reinstall the Wingnut **72**.



Storage, Transportation, and Mounting

Transporting the Saw

(Fig. 1, Fig. 35, Fig. 36)

⚠ WARNING To prevent personal injury, always disconnect the Battery Pack before transporting the saw.

For transporting the saw around the job site, the saw includes two Cast-In Carry Handles **34** at each side of the Table **13**, and a One-Handed Carry Handle **16**. ONLY LIFT THIS SAW BY THE CAST-IN CARRY HANDLES **34** OR BY THE ONE-HANDED CARRY HANDLE **16**. DO NOT USE THE ADJUSTMENT HANDLES **15** TO CARRY THE SAW.

1. Make sure that the Battery Pack **29** is disconnected. See “Inserting and Releasing the Battery Pack” on page 18.
2. Make sure that the Miter Gauge **14**, Rip Fence **9**, and Smart Guard System **11** components are in their storage positions. See “Miter Gauge Storage” on page 26, “Rip Fence Storage” on page 26 and “Smart Guard System Storage” on page 27.
3. Make sure that the Rail Lock Lever **6** is in the locked position.
4. Adjust the Riving Knife **24** to its middle position. See “Riving Knife (Splitter)” on page 42.
5. Lower the Blade **32** as far as it will go by turning the Elevation Wheel **2** counterclockwise.
6. **For one handed carrying:**

- Place the saw on its side on the ground with the One-Handed Carry Handle **16** facing upward.
- Pick up the saw by the One-Handed Carry Handle **16**, making sure that the top of the Table **13** is facing toward your leg.

For two handed carrying:

- With the saw sitting right side up, grip the Cast-In Carry Handles **34** molded into either side of the Table **13**.
- Lift the saw off the surface.

Fig. 35

one-handed carrying

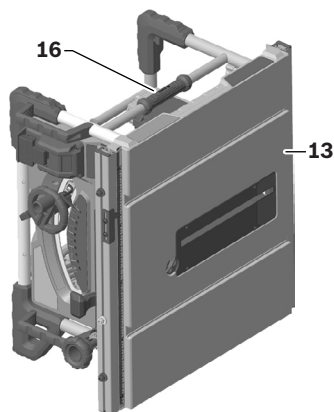
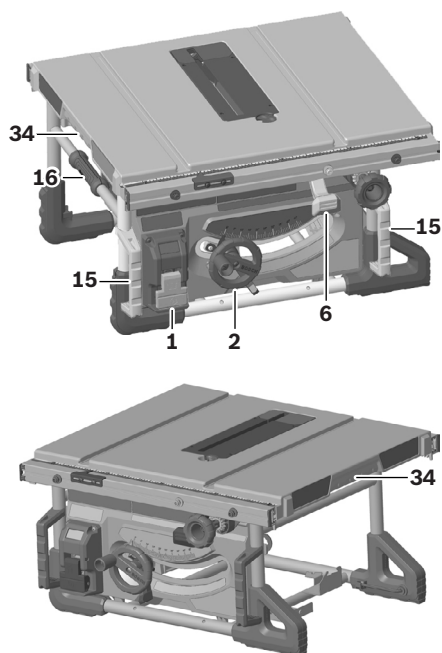


Fig. 36

two-handed carrying



Storage, Transportation, and Mounting

Mounting the Table Saw

(Fig. 37, Fig. 38)

⚠ WARNING To prevent personal injury, always disconnect the Battery Pack before mounting the saw.

To prevent movement while cutting, the table saw must be fastened securely to a stand or workbench, using the four Mounting Holes 35.

If mounting the saw to a workbench, the Base 5 should be secured using four 3-1/2" (89 mm) long screws (not included) through the Mounting Holes 35. Make sure the screws extend through the saw's frame and securely attach into the supporting work surface.

Fig. 37

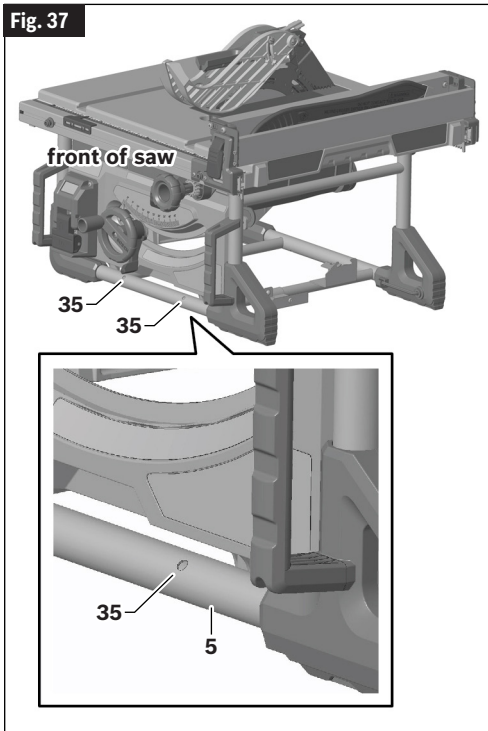
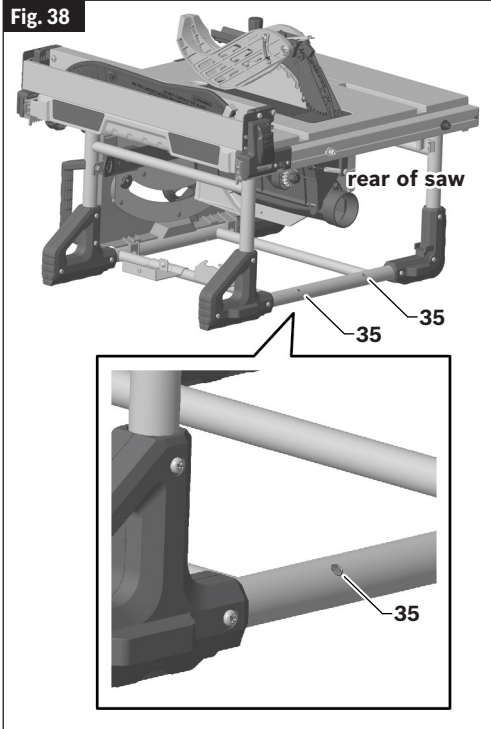


Fig. 38



Adjustments

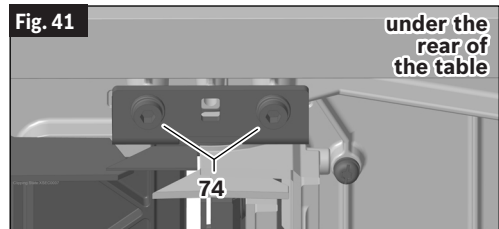
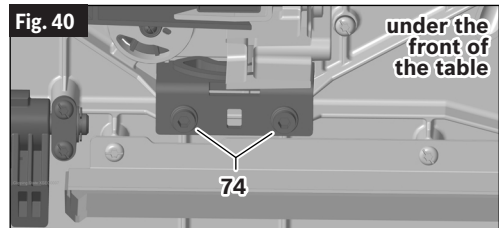
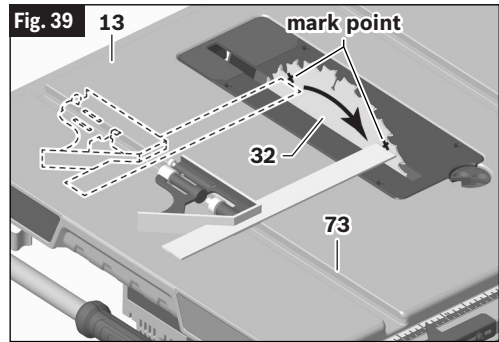
⚠ WARNING To prevent personal injury, always disconnect the Battery Pack before performing any assembly, adjustment, or repair.

Adjusting the Blade Parallel to the Miter Gauge Slots

(Fig. 1, Fig. 39, Fig. 40, Fig. 41)

The Blade **32** was adjusted parallel to the Miter Gauge Slots **73** at the factory. In order to ensure accurate cuts and help prevent kickback, this adjustment should be rechecked. If adjustment is necessary, follow the steps below.

1. Turn the Elevation Wheel **2**, and raise the Blade **32** as high as it will go.
2. Select a point on the body of the saw Blade **32** that is on the left side of the Blade **32** when viewing the Blade **32** from the front of the saw, and mark this point with a pencil.
3. Place the base of a combination square against the edge of the Miter Gauge Slot **73**, and extend the sliding rule of the square so it just touches the marked point on the body of the saw Blade **32** at the rear of the Table **13**, avoiding the blade teeth.
4. Rotate the Blade **32** and check the same marked point of the saw Blade **32** at the front of the Table **13**.
5. If the front and back measurements are not identical use the Hex Wrench **33** supplied with your saw to loosen the four Blade Alignment Bolts **74** located on the underside of the Table **13** at the front and rear of the saw.
6. Carefully move the saw Blade **32** until it is parallel to the Miter Gauge Slot **73**, and securely tighten all four Blade Alignment Bolts **74**.
7. Verify that the Blade **32** is parallel to the Miter Gauge Slot **73** by repeating steps 3 and 4. If the Blade **32** is not aligned, repeat steps 5 and 6.



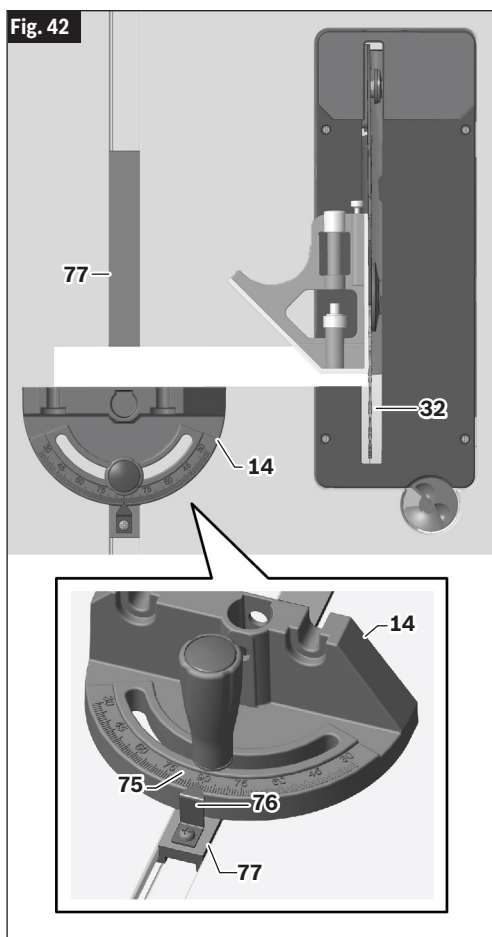
Adjustments

Miter Gauge Adjustment

(Fig. 42)

To check the accuracy of your Miter Gauge **14**, move it in line with the Blade **32** and use a combination square to make sure the body of the Miter Gauge **14** is 90° to the Blade **32**. If the Miter Gauge Pointer **75** is not pointing to 90°, loosen the Screw **76** on top of the Miter Gauge Bar **77** and rotate the Pointer **75** to the 90° mark. Tighten the Screw **76**.

To adjust the Miter Gauge **14**, loosen the Miter Gauge Pointer Screw **76** and twist the Miter Gauge Pointer **75**.



Rip Fence Adjustments

⚠ WARNING The rip fence must be parallel with the BLADE in order to prevent KICKBACK when ripping.

⚠ WARNING To prevent personal injury, always make sure the Rip Fence and the Rails are locked before making rip cuts.

⚠ WARNING Align the Fence to be parallel with the saw Blade. A misaligned Fence will pinch the Workpiece against the saw Blade and create kickback.

The Rip Fence system has three Rip Fence Index Pins on the front and the back rail. The cutting width capacities allowed by these Index Pins are shown in “Cutting Capacities” on page 10.

Alignments of the Silver and Black Index Pins on the right side of the Blade are related. Before the Right Black Rip Fence Index Pins are adjusted, the alignment of the Right Silver Rip Fence Index Pins must be verified and adjusted if necessary. The Left Black Rip Fence Index Pins can be adjusted independently from the Silver Rip Fence Index Pins.

Aligning the Rip Fence – Silver Index Pins

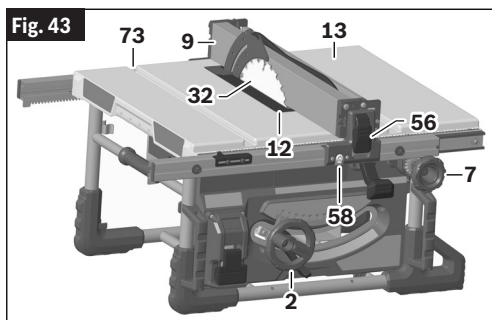
(Fig. 43, Fig. 44)

NOTE: Before proceeding with alignment of the Rip Fence **9**, the Blade **32** must be parallel with the Miter Gauge Slots **73** and be perpendicular to the Table **13**. See “Adjusting the Blade Parallel to the Miter Gauge Slots” on page 33 and “Adjusting 0° Positive Stop” on page 39.

1. Assemble the Rip Fence **9** on the Silver Index Pins **58**. (See “Attaching the Rip Fence” on page 25.) Do not lock the Rip Fence Lock Levers **56**.
2. Remove the Smart Guard System’s **11** Barrier Guard Assembly **25** and Anti-Kickback Device **26**.
3. Unlock the Rail Lock Lever **6**.
4. Move the Rip Fence **9** toward the Blade **32** and verify that the Rip Fence **9** is touching the blade teeth at the front and rear of the Blade **32**. If not, then continue with the following the steps.

Adjustments

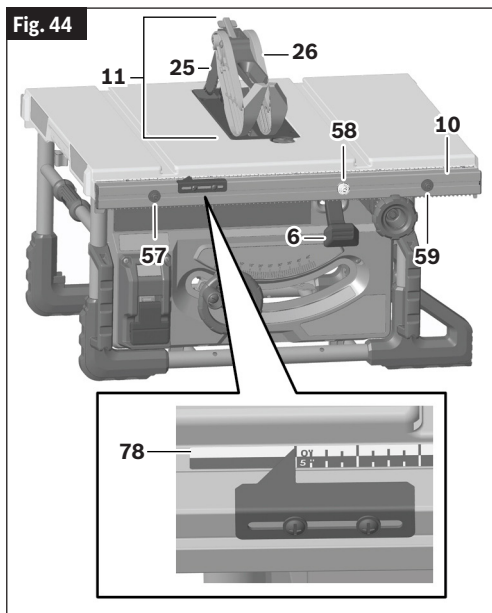
5. Ensure that the Rip Fence Lock Levers **56** at the front and back of the Rip Fence **9** are still in the unlocked position.
6. With the provided Hex Wrench **33**, loosen the Silver Rip Fence Index Pins **58** about 1/2 to 1 turn so that the Pins can slide freely.
7. Using the Rip Fence **9**, move the front and rear Silver Index Pins **58** to the right by approximately 1/8 inch.
8. Using the Rail Adjustment Knob **7**, move the Rails **10** so that the position indicator lines up with "0" on the Rip Fence Top Silver Scale **78**, and lock the Rails **10** in place using the Rail Lock Lever **6**.
9. Slide the Rip Fence **9** towards the Blade **32** until it touches the blade teeth at the front and back of the Blade **32**.
10. Hand tighten the front and back Silver Index Pins **58** using the Hex Wrench **33**. Rotate an additional 1/8 turn to secure the pins. Verify that the Rip Fence **9** is still in contact with the front and back teeth of the Blade **32**.
11. Latch the Rip Fence Lock Levers **56** onto the Rails **10**, and verify that the Rip Fence **9** is still in contact with the front and back teeth of the Blade **32**.
12. Continue to "Aligning the Rip Fence – Right Black Index Pins."



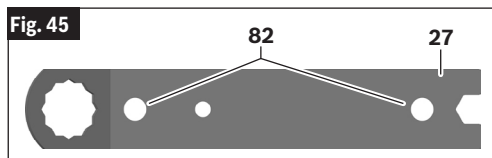
Aligning the Rip Fence – Right Black Index Pins

(Fig. 43, Fig. 44, Fig. 45)

NOTE: Before proceeding with alignment of the Right Black Rip Fence Index Pins **59**, the alignment of the Silver Index Pins **58** must be verified and adjusted if necessary. (See "Aligning the Rip Fence – Silver Index Pins" on page 34.)



13. Verify that the Rip Fence **9** and the Silver Rip Fence Index Pins **58** are aligned correctly according to "Aligning the Rip Fence – Silver Index Pins" on page 34.
14. Unlock the Rip Fence Lock Levers **56** at the front and back of the Rip Fence **9**, and remove the Rip Fence **9** from the Rails **10**. Lock the Rail Lock Lever.
15. With the provided Hex Wrench **33**, loosen the Right Black Rip Fence Index Pins **57** on the front and back Rails **10** about 1/2 to 1 turn so that the Pins can slide freely.
16. Using the Fence Alignment Holes **82** in the Blade Wrench **27**, place the Blade Wrench **27** over the Silver Rip Fence Index Pin **57** on the front Rail **10**.
17. If out of alignment, move the front Right Black Rip Fence Index Pin **57** until the hole in the Blade Wrench **27** fits over the Pin's head.



Adjustments

18. Hand tighten the Pin **57** using the Hex Wrench **27**. Rotate an additional 1/8 turn to secure the Pin **57**.
19. Repeat steps 16-18 for the rear Rip Fence Index Pin **57**.

Aligning the Rip Fence – Left Black Index Pins

(Fig. 1, Fig. 43, Fig. 44)

NOTE: Before proceeding with alignment of the Rip Fence **9**, the Blade **32** must be parallel with the Miter Gauge Slots **73** and be perpendicular to the Table **13**. See “Adjusting the Blade Parallel to the Miter Gauge Slots” on page 33 and “Adjusting 0° Positive Stop” on page 39.

1. Remove the Smart Guard System’s **11** Barrier Guard Assembly **25** and Anti-Kickback Device **26**.
2. Assemble the Rip Fence **9** to the Left Black Index Pins **57**. (See “Attaching the Rip Fence” on page 22.) Make sure to orient the Rip Fence **9** so that the Flip-Over Fence **14** is facing away from the Blade **32**.
3. Move the Rip Fence toward the Blade and verify that the Rip Fence **9** is touching the blade teeth at the front and rear of the Blade **32**. If not, then continue with the following steps.
4. With the provided Hex Wrench **33**, loosen the Left Black Rip Fence Index Pins **57** on the front and back Rails **10** about 1/2 to 1 turn so that the Pins can slide freely.
5. Slide the Rip Fence **9** towards the Blade **32** until the Rip Fence **9** touches the blade teeth at the front and back of the Blade **32**.
6. Hand tighten the front and back Left Black Rip Fence Index Pins **57**. Rotate an additional 1/8 turn to secure the Pins. Verify that the Rip Fence **9** is still in contact with the front and back teeth of the Blade **32**.
7. Latch the Rip Fence Lock Levers **56** onto the Rails **10**, and verify that the Rip Fence **9** is still in contact with the blade teeth at the front and rear of the Blade **32**.
8. Replace the Smart Guard System’s **11** Barrier Guard Assembly **25** and Anti-Kickback Device **26**.

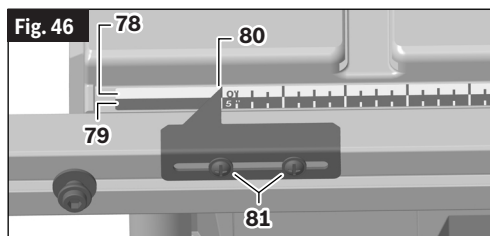
Rip Fence Pointer Adjustment

(Fig. 43, Fig. 44, Fig. 46)

When ripping on the right side of the Blade **32**, the distance between the Rip Fence **9** body and the Blade **32** is determined by lining the Rip Fence Pointer **80** with the desired dimension on the Rip Fence Scale **22**.

To set the Rip Fence Pointer **80**:

1. Remove the Barrier Guard Assembly **25** and Anti-Kickback Device **26** before adjusting the Rip Fence Pointer **80**.
2. Assemble the Rip Fence **9** to the Silver Rip Fence Index Pins **57**. See “Attaching the Rip Fence” on page 22.
3. Unlock the Rail **10** using the Rail Lock Lever **6**.
4. Move the Rip Fence **9** toward the Blade **32**, and verify that the Rip Fence **9** is touching the blade teeth at the front and rear of the Blade **32**.
5. Loosen the Pointer Adjustment Screws **81**.
6. Adjust the pointer to the “0” mark on the Rip Fence Top Silver Scale **78**, then re-tighten the Pointer Adjustment Screws **81**.



Adjustments

Riving Knife Alignment

(Fig. 47)

IMPORTANT: The Riving Knife **24** must always be in line with the saw Blade **32**. The Riving Knife **24** is thinner than the width of the kerf.

NOTE: The kerf is the width of the cut made by the teeth on the saw Blade **32**.

Checking Riving Knife Alignment

(Fig. 1, Fig. 47)

NOTE: The Riving Knife **24** has been properly aligned at the factory. Check the alignment before making any adjustments.

1. Turn the Elevation Wheel **2** clockwise to raise the Blade **32** to maximum height, and set the bevel angle to 0°.
2. Remove the Barrier Guard Assembly **25** and Anti-Kickback Device **26**.
3. Assemble the Rip Fence **9** to the Silver Rip Fence Index Bolts **58**. (See “Attaching the Rip Fence” on page 22.) Slide it until it touches the tips of the saw Blade **32**.
4. Check the alignment:
 - From the top, look down over the Rip Fence **9** and check that the Riving Knife **24** is in line (front to back) with the Blade **32** and parallel with the Rip Fence **9**.
 - Slide the Rip Fence **9** away from the Blade **32**, look over the front of the Blade **32**, and check that the Riving Knife **24** is in line with the Blade **32**.

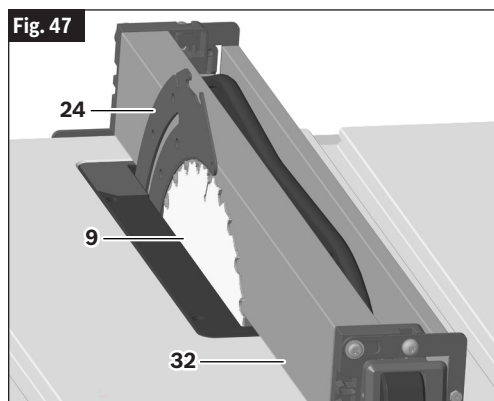


Fig. 47

- If either of these inspections reveal misalignment, proceed to “Adjusting the Riving Knife” below.

Adjusting the Riving Knife

(Fig. 43, Fig. 44, Fig. 48, Fig. 49, Fig. 50)

1. Remove the Barrier Guard Assembly **25** and Anti-Kickback Device **26**.
2. Remove the Table Insert **12**. See “Removing the Table Insert” on page 18.
3. Turn the Elevation Wheel **2** clockwise to raise the Blade **32** to its maximum height, and set the bevel angle to 0°.
4. Adjust the Riving Knife **24** so that it is in its highest position. See “Positioning the Riving Knife” on page 19.
5. Locate the three Riving Knife Set Screws **83** adjacent to the Riving Knife Release Lever **41**.
6. Place a straight edge on the left side of the Blade **32** against two blade teeth (as shown in Fig. 49). The Riving Knife **24** should not touch the straight edge.
7. Use the provided Hex Wrench **33** to adjust the Riving Knife **24** by turning the Set Screws **83**. A properly adjusted Riving Knife **24** will be in contact with the straight edge all along its width.

NOTE: If the Set Screws **83** need to be loosened (by turning the Hex Wrench **33** counterclockwise), then also loosen the Riving Knife Locking Screws **84**. Loosening the Set Screws **83** without first loosening the Locking Screws **84** could cause deformation of the Riving Knife **24**.
8. Lay the straight edge on the right side of the Blade **32**, and repeat adjustments as needed.
9. Place a square flat against the left side of the Riving Knife **24** to verify the Riving Knife **24** is vertical and in-line with the Blade **32** (as shown in Fig. 50).
10. If needed, use the Set Screws **83** to bring the Riving Knife **24** vertical with the square.
11. Repeat step 6 to verify the position of the Riving Knife **24**. Repeat steps 7 through 10 if necessary.

Adjustments

12. After completing the adjustments, fully tighten the Riving Knife Locking Screws **84**.

NOTE: Check that the Riving Knife **24** stays in line with the Blade **32** when the Blade **32** is tilted at any angle. Before making cuts, replace the Barrier Guard Assembly **25** and Anti-Kickback Device **26**.

Fig. 48

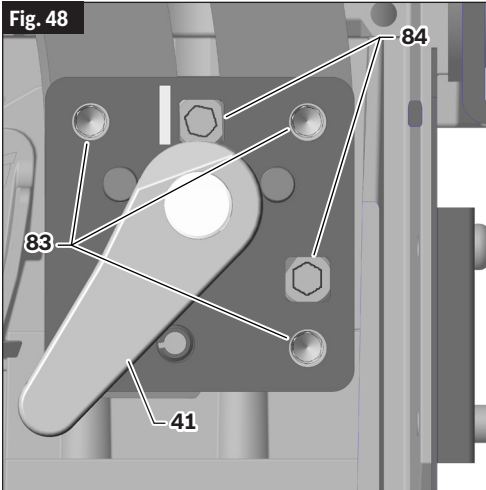


Fig. 50

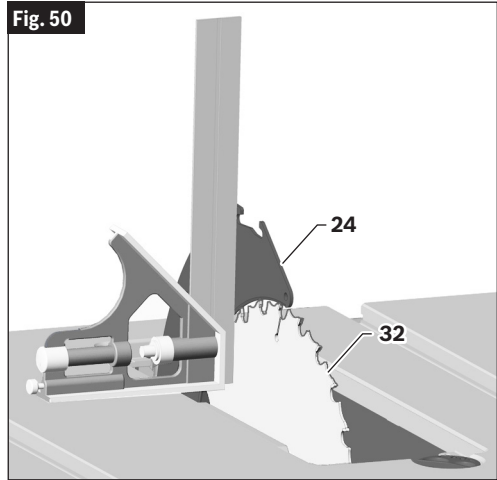
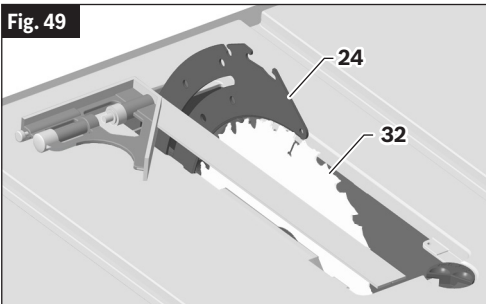


Fig. 49



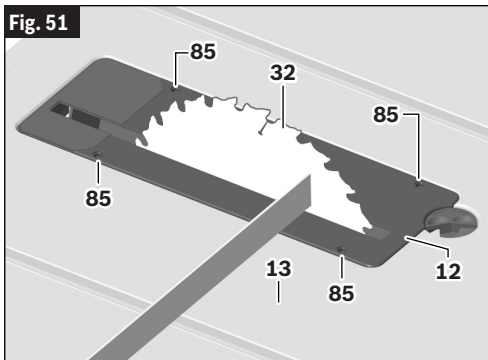
Adjustments

Adjusting the Table Insert

(Fig. 51)

The Table Insert **12** includes four Adjustment Screws **85** to set the height of the insert.

1. Place the Table Insert **12** into the receptacle in the top of the Table **13**, and lock it in place. See “Installing the Table Insert” on page 18.
2. Place a straight edge, such as the metal ruler from a combination square, across the top of the Table **13** and the Table Insert **12**.
3. If the surface of the Table Insert **12** is not at the same level as the top of the Table **13**, use a small slotted screwdriver to turn each Table Insert Adjustment Screw **85** until the Table Insert **12** is at the same level as the Table **13**.



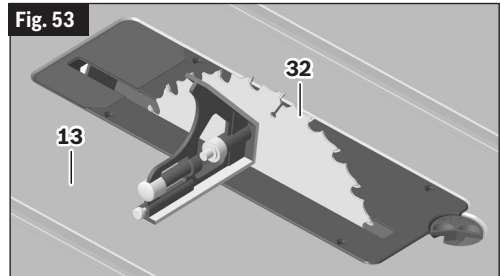
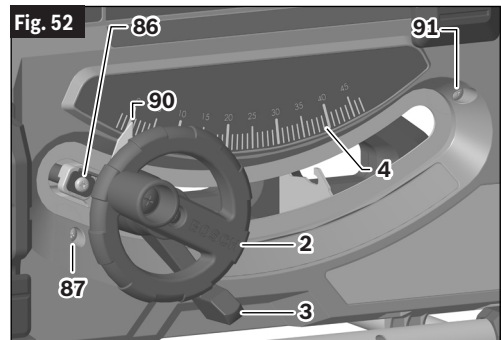
Adjusting 0° and 45° Positive Stops

Your saw is equipped with positive stops for fast and accurate positioning of the saw Blade **32** at 90° and 45° to the Table **13**.

Adjusting 0° Positive Stop

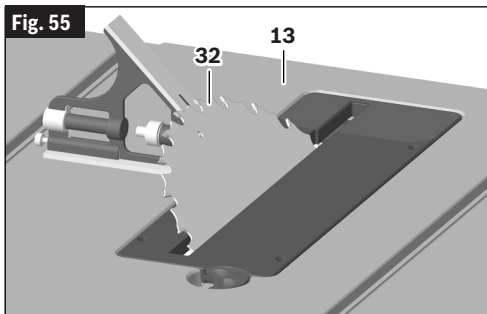
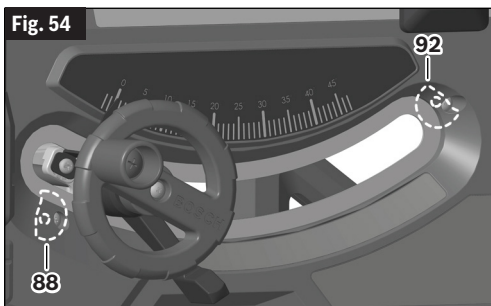
(Fig. 52, Fig. 53, Fig. 54)

1. Turn the Elevation Wheel **2** clockwise and raise the Blade **32** to maximum height.
2. Loosen the Blade Bevel Lock Handle **3** by turning it counterclockwise.
3. Push the Elevation Wheel **2** to the left as far as possible. Then tighten the Blade Bevel Lock Handle **3** by turning it clockwise.
4. Place a combination square on the Table **13** with one end of the square against the Blade **32**, and check to see if the blade is 90° to the Table **13**.
5. If the Blade **32** is not 90° to the Table **13**:
 - Loosen the Blade Bevel Lock Handle **3** by turning it counterclockwise.
 - Loosen the 90° Adjustment Screw **87**.



Adjustments

- Make sure that the 90° Bevel Stop Cam **88** is loose. The Bevel Stop Cam **88** is located behind the front plate.
 - Push the Elevation Wheel **2** until the Blade **32** is 90° to the Table **13**.
6. Tighten the Blade Bevel Lock Handle **3** by turning it clockwise.
 7. Rotate the 90° Bevel Stop Cam **88** until it touches the Bevel Stop Housing, then tighten the 90° Adjustment Screw **87**, making sure that the 90° Bevel Stop Cam **88** stays in position.
 8. Loosen the Bevel Indicator Adjustment Screw **86**, and adjust the Bevel Pointer **90** to indicate 0° on the Blade Bevel Scale **4**.



Adjusting 45° Positive Stop

(Fig. 52, Fig. 54, Fig. 55)

1. Turn the Elevation Wheel **2** clockwise and raise the Blade **32** to maximum height.
2. Loosen the Blade Bevel Lock Handle **3** by turning it counterclockwise.
3. Push the Elevation Wheel **2** to the right as far as possible. Then tighten the Blade Bevel Lock Handle **3** by turning it clockwise.
4. Place a combination square on the Table **13** with one end of the square against the Blade **32**, and check to see if the Blade **13** is 45° to the table.
5. If the Blade **32** is not 45° to the Table **13**:
 - Loosen the Blade Bevel Lock Handle **3** by turning it counterclockwise.
 - Loosen the 45° Adjustment Screw **91**.
 - Make sure that the 45° Bevel Stop Cam **92** is loose.

Basic Table Saw Operations

⚠ WARNING To prevent personal injury, always disconnect the Battery Pack before performing any assembly, adjustment, or repair.

Power Switch

(Fig. 56, Fig. 57)

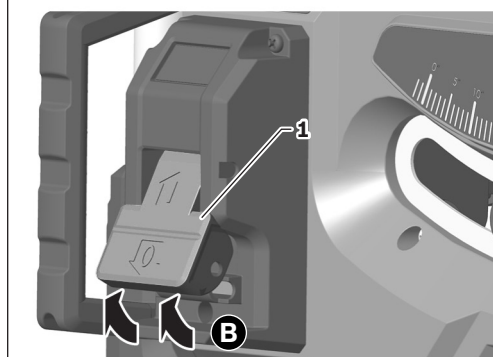
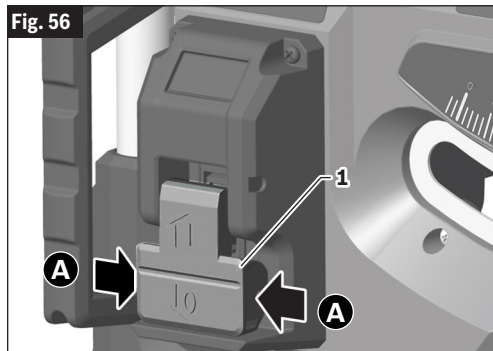
To turn the saw on, pinch the side walls of the Power Switch **1** **A** and lift the Power Switch **1**, by pulling it up **B**.

To turn the saw off, push the Power Switch **1** lever down to its original position.

To prevent unauthorized use, the Power Switch **1** can accommodate a padlock with a 1/4" (6.3 mm) diameter shackle (not provided with the table saw).

The Fuel Gauge **17** will illuminate when a battery pack is inserted and the saw is turned on.

The Fuel Gauge **17** will stay illuminated for 3 seconds after the saw has been turned off.



Fuel Gauge

(Fig. 57, Fig. 58)

The Fuel Gauge **17** is an LED display that indicates the approximate level of charge remaining in the Battery Pack **29**.

The Fuel Gauge **17** will illuminate when a battery pack is inserted and the saw is turned on.

The Fuel Gauge **17** will stay illuminated for 3 seconds after the saw has been turned off.

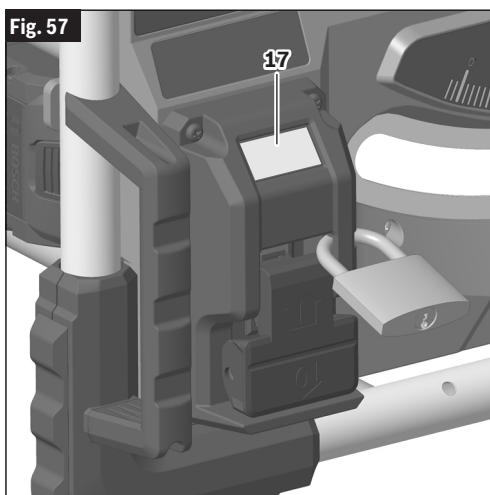


Fig. 58

		60% to 100% charged
		30% to 60% charged
		5% to 30% charged
		0% to 5% charged

* flashing

Basic Table Saw Operations

Using the Smart Guard System

(Fig. 59)

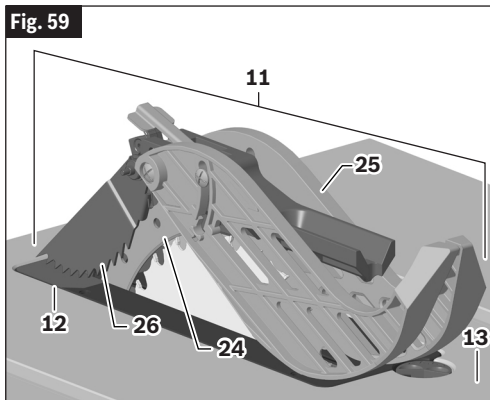
The Bosch Smart Guard System **11** has been designed for modularity, enabling the use of multiple combinations of the three main components: the Riving Knife **24**, the Barrier Guard Assembly **25**, and the Anti-Kickback Device **26**.

The Riving Knife **24** can be quickly adjusted to any of three positions for different applications: through cut (high), non-through cut (middle), and dado (lowest).

The three primary components of the Smart Guard blade guarding system are designed for rapid attachment, adjustment, and removal without additional tools.

If you remove any Smart Guard System **11** components to complete a cut, immediately reinstall them when finished. (See “Attaching the Barrier Guard Assembly” on page 20 for detailed installation instructions.)

Always remember that the best accident prevention is the operator’s use of common sense and alertness at all times when using the table saw.



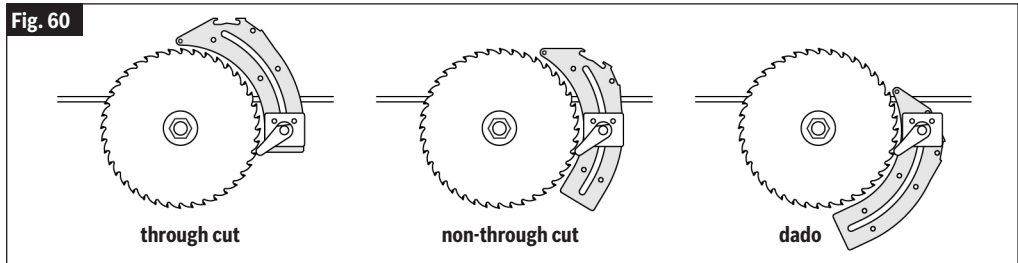
Riving Knife (Splitter)

(Fig. 1, Fig. 10, Fig. 59, Fig. 60)

The Riving Knife is the central element of the Bosch blade guarding Smart Guard System **11**, which serves as the attachment point for both the Barrier Guard Assembly **25** and the Anti-Kickback Device **26**.

If the Barrier Guard Assembly **25** and the Anti-Kickback Device **26** are removed, the Riving Knife **24** maintains its functionality as material splitter. It can be quickly adjusted to any of three positions, depending on the requirement of the application: through cut, non-through cut, and dado. Because of this adjustability, the Riving Knife **24** can be appropriately positioned for all cutting applications. (See “Adjusting the Riving Knife” on page 37.)

The Riving Knife (splitter) **24** can be easily adjusted to one of three heights by removing the Table Insert **12**, raising the Blade **32** to its full height and releasing the Riving Knife Release Lever **41** at the base of the Riving Knife **24**. The Riving Knife **24** should be locked in its through cut (highest) position for use with the Main Barrier Guard Assembly **25** and Anti-Kickback Device **26**. It can be adjusted to its non-through cut (middle) position for use as a material splitter without the Main Barrier Guard Assembly **25** and Anti-Kickback Device **26**. In the event that the Riving Knife **24** cannot be used for a specific cut or for use with a dado blade, it can be adjusted to its dado (lowest) position, placing it 1” (25.4mm) above the Table **13** surface when the Blade **32** is at its full height.



Basic Table Saw Operations

Barrier Guard Assembly

(Fig. 59)

The Barrier Guard Assembly **25** is comprised of a pair of plastic barriers attached to the plastic upper barrier guard. The side barriers (one to the left of the Blade **32** and one to the right) operate independently of one another, maintaining maximum Blade coverage during cutting operations. The Barrier Guard Assembly **25** incorporates a quick-connect attachment point and can be attached or removed from the Smart Guard System **11** independent of the the Anti-Kickback Device **26** and Riving Knife **24**.

The Barrier Guard Assembly **25** can be quickly attached and detached through the use of the quick release Barrier Guard Assembly Release Lever **36**. The guard is attached by seating the crossbar into the top of the Riving Knife (Splitter) **24** and engaging the Release Lever **36**. Following this process in reverse, the Barrier Guard Assembly **25** can be easily removed for special operations such as dados or rabbets.

NOTE: To best secure the Barrier Guard Assembly **25** for relocation, adjust the Blade **32** to its lowest position. This keeps the Guard **25** tight to the Table **13** surface and prevents damage related to the Guard **25** swinging during relocation. If transporting over a longer distance on/off the job, place the Guard **25** in its below-table storage position. (See “Barrier Guard Assembly Storage” on page 27).

Anti-Kickback Device

(Fig. 59)

In the event of kickback, the Anti-Kickback Device **26** is intended to help prevent the workpiece from being thrown in the direction of the user. The sharp teeth of the Anti-Kickback Device Pawls **50** are intended to “catch” the material in the event of kickback.

The Anti-Kickback Device **26** can be easily attached by aligning the attachment pin with the hole in the rear of the Riving Knife (Splitter) **24**. It can be easily removed by depressing the Compression Pin **49** on the side of the Anti-Kickback Device **26** and lifting it away.

Making Work Helpers

Before cutting any wood on your saw, study all of the information in “Basic Table Saw Operations.”

Notice that in order to make some of the cuts, it is necessary to use certain devices, “Work Helpers”, like the Push Stick **93**, the Push Block **94** and the Auxiliary Fence **95**, which you can make yourself.

After you have made a few practice cuts, but before starting any projects, make these work helpers. Make the “push stick” first.

Making the Push Stick and Push Block

(Fig. 61, Fig. 62)

Make the Push Stick **93** using a 1” x 2” (19 mm x 38 mm) piece as shown in Fig. 61. For proper use of a Push Stick **93**, see “Using the Push Stick” on page 47.

Make the Push Block **94** using pieces of 3/8” (8.7 mm) plywood **A** and 3/4” (19 mm) hardwood **B**. The Push Block **94** is only to be used in combination with the auxiliary fence. For proper use of Push Block **94**, see “Using the Push Block with the Auxiliary Fence” on page 48.

The small piece of wood, 3/8” x 3/8” x 2-1/2” (9.5 x 9.5 x 63.5mm), should be GLUED to the plywood... DO NOT USE NAILS. This is to prevent dulling the Blade **32** in the event you mistakenly cut into the Push Block **94**.

Position the handle in the center of the plywood and fasten them together with glue and wood-screws.

Use the Push Stick **8** whenever the Rip Fence **9** is 2” (50 mm) or more from the Blade **32**. Use a Push Block **94** when the operation is too narrow to allow the use of the Push Stick **8**. For proper use, see “Using the Push Stick, Push Block, and Auxiliary Fence” on page 47.

Push Stick **8** or Push Block **94** should be used only between the Rip Fence **9** and the Blade **32**.

When using the Push Stick **8** or a Push Block **94**, the trailing end of the board must be square. The Push Stick **8** or a Push Block **94** against an uneven end could slip off or push the work away from the Rip Fence **9**.

Basic Table Saw Operations

Fig. 61

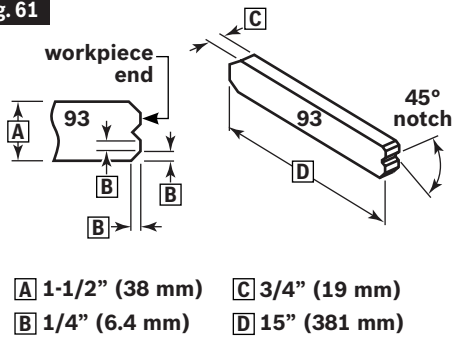
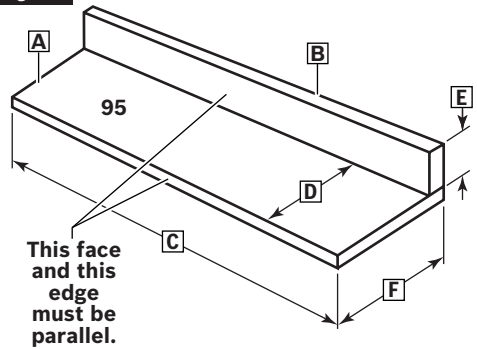
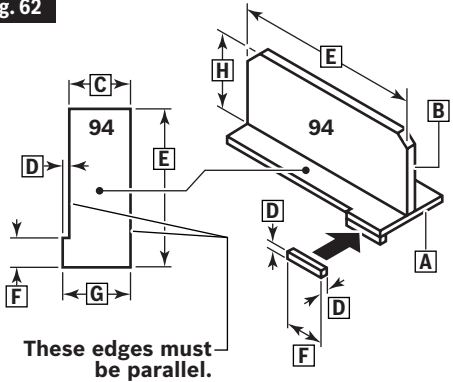


Fig. 63



- | | |
|---|-----------------------|
| A | 3/8" (8.7 mm) plywood |
| B | 3/4" (19 mm) hardwood |
| C | 21-1/2" (546 mm) |
| D | 4-3/4" (120.6 mm) |
| E | 2-1/4" (57.2 mm) |
| F | 5-1/2" (139.7 mm) |

Fig. 62



- | | |
|---|-----------------------|
| A | 3/8" (8.7 mm) plywood |
| B | 3/4" (19 mm) hardwood |
| C | 4-3/4" (120.6 mm) |
| D | 3/8" (9.5 mm) |
| E | 12" (305 mm) |
| F | 2-1/2" (63.5 mm) |
| G | 5-1/8" (130 mm) |
| H | 5" (127 mm) |

Making an Auxiliary Fence

(Fig. 62, Fig. 63)

Make the Auxiliary Fence **95** using pieces of 3/8" (8.7 mm) plywood, **A**, and 3/4" (19 mm) hardwood, **B**. Fasten together with glue and wood screws.

NOTE: Since a Push Block **94** is used with the Auxiliary Fence **95**, the 4-3/4" (120.6 mm) dimensions must be identical on both pieces.

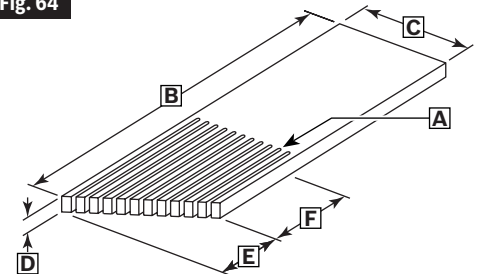
Making a Featherboard

(Fig. 64)

A featherboard should be made from a straight piece of wood that is free of knots or cracks. Fig. 64 shows typical featherboard dimensions.

The kerf, **A**, should be about 1/4" (6.35 mm) apart.

Fig. 64



- | | |
|---|---------------------------|
| A | kerf about 1/4" (6.35 mm) |
| B | 25" (635 mm) |
| C | 8" (203 mm) |
| D | 3/4" (19 mm) |
| E | 4-1/2" (114 mm) |
| F | 5" (127 mm) |

Basic Table Saw Operations

Making the Facing Block

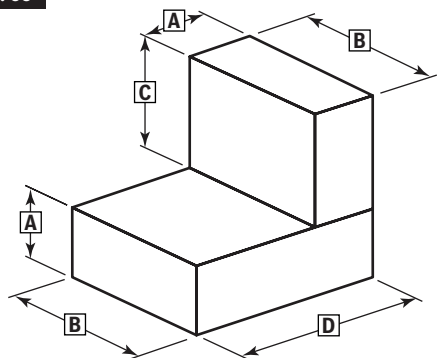
(Fig. 65)

Make the Facing Block **100** using 1" x 3" (25.4 mm x 76.2 mm) pieces. Position the two sections of the Facing Block **100** together, and fasten them with glue and woodscrews.

The total height of the Facing Block should match the height of the Rip Fence.

For the proper use of the Facing Block **100**, see "Repetitive Crosscutting" on page 53.

Fig. 65



- | | |
|-------------------------|---------------------------|
| A 3/4" (19.0 mm) | C 1-7/8" (47.6 mm) |
| B 2.5" (63.5 mm) | D 3.0" (76.2 mm) |

Making Rip Fence Auxiliary Facing

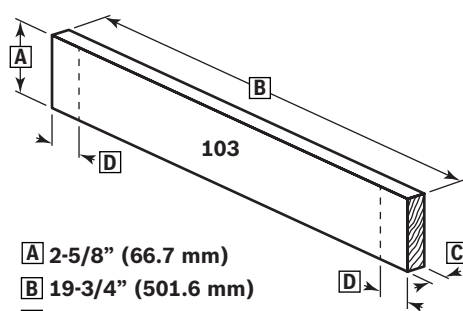
(Fig. 66, Fig. 67)

When using dado accessories, an Auxiliary Facing **103** board should be used. This will help prevent damage to the aluminum Rip Fence **9**. The Auxiliary Facing **103** should be made of 3/4" (19 mm) thick wood. Fig. 66 provides dimensional plans to make an Auxiliary Facing **103** board to fit this saw.

The Auxiliary Facing **103** is made to the same height, 2-5/8" (66.68 mm) as the Rip Fence **9** and can work with the Smart Guard System **11** in place when moving the Rip Fence **9** to contact the Blade **32**.

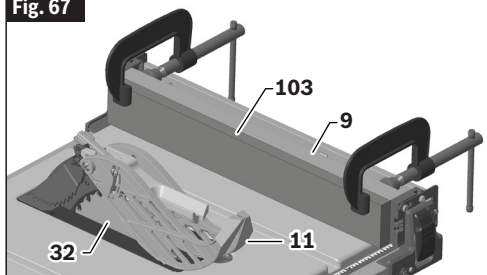
Auxiliary Facing **103** has to be clamped in two places within 1-1/2" (38.1 mm) of its ends. Care should be taken not to clamp over the Push Stick, or damage the Push Stick mounts.

Fig. 66



- | |
|-----------------------------|
| A 2-5/8" (66.7 mm) |
| B 19-3/4" (501.6 mm) |
| C 3/4" (19 mm) |
| D 1-1/2" (38.1 mm) |

Fig. 67



Making Tall Rip Fence Auxiliary Facing

(Fig. 68, Fig. 69)

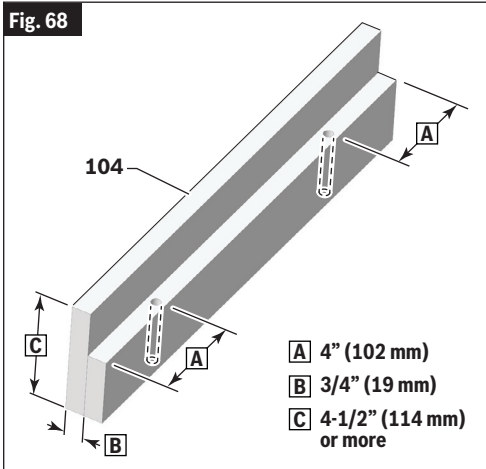
When making non-through cuts, such as rabbit cuts, it will be necessary to use a Tall Rip Fence Auxiliary Facing **104** to properly support the workpiece. This facing also allows for clamping of accessories such as feather boards.

To create this work helper, first a backing board in the size of the Auxiliary Facing **104** must be made and two 3/8" holes, approximately 2" deep, need to be drilled in the edge of the backing board. These holes should be located approximately 4" from the ends of the backing board as shown in Fig. 68. Finally, a 3/4" thick board must be attached to the backing board using glue and 1-1/4" long wood screws. Height of this additional board should match the needs of the sawing operation being performed.

Universal Fence Clamps with clamp arm diameter of 3/8" are needed to clamp the Tall Rip Fence Auxiliary Facing **104** to the Rip Fence **9**. Be sure to clamp the universal clamps as shown in Fig. 69.

Basic Table Saw Operations

Fig. 68



Making Miter Gauge Auxiliary Facing

(Fig. 70)

The Miter Gauge **14** has pre-molded features that allow for the attachment of an Auxiliary Facing **105**. To make the Miter Gauge Auxiliary Facing **105**, it is recommended to select a smooth straight wood board that is 3/4" thick, 3" high, and desired length.

1. Using the Miter Gauge **14** as a template, drill 5/32" (4 mm) diameter holes through the board.
2. Attach the board to the Miter Gauge **14** with two round head Wood Screws **106**, No. 12x1-1/2" or M6 x 35 mm (not included).

Be sure the screws never protrude above the outside surface of the facing.

Be sure the facing does not interfere with the proper operation of the Barrier Guard Assembly **25**.

NOTE: When bevel crosscutting, attach the facing so that it extends to the right of the Miter Gauge **14**, and use the Miter Gauge **14** in the groove to the right of the Blade **32**.

Fig. 69

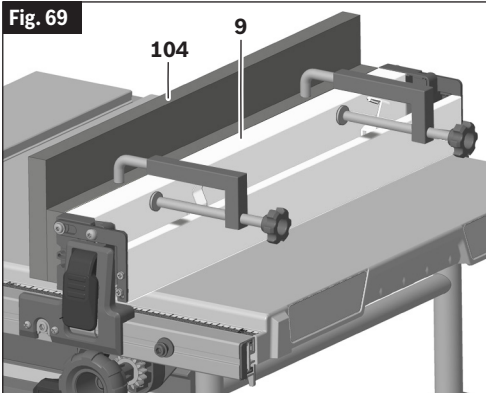
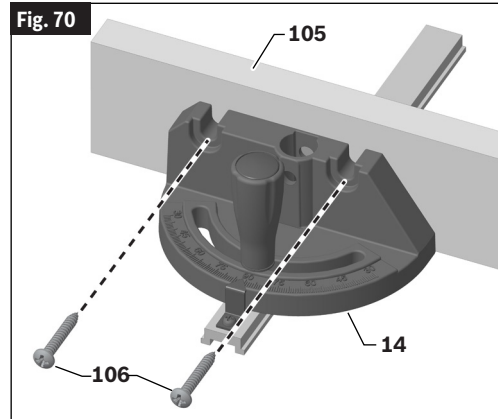


Fig. 70



Basic Table Saw Operations

Using the Push Stick, Push Block, and Auxiliary Fence

(Fig. 61, Fig. 71, Fig. 72, Fig. 73, Fig. 74)

When feeding the workpiece for a rip cut, use your hands only when they can be kept at least 6" (152 mm) from the Blade 32. A Push Stick 8 or 93 or Push Block 94 should be used any time the cut would cause your hands to be within 6" (152 mm) of the Blade 32.

Apply the feed force to the section of the workpiece between the saw Blade 32 and the Rip Fence 9. Your other hand should be used only to guide the workpiece when it is at least 6" from the Blade 32.

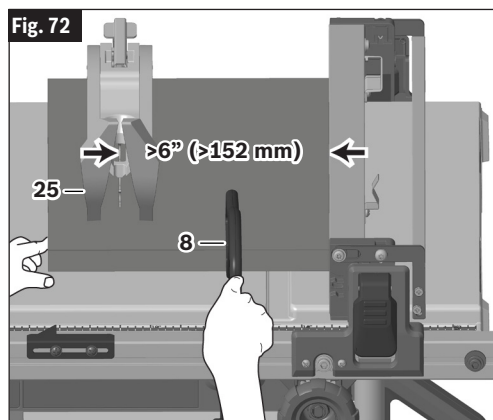
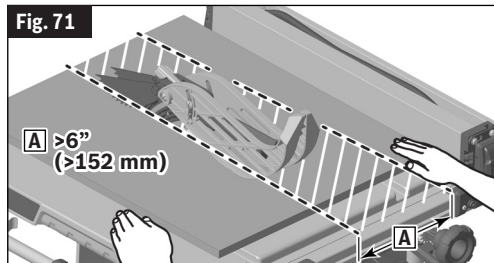
When using a Push Stick 8 or 93 or Push Block 94, the trailing end of the board must be square. A Push Stick 8 or 93 or Push Block 94 against an uneven end could slip off or push the work away from the Rip Fence 9.

When cutting a workpiece 1/8" (3.2 mm) to 3/4" (20mm) thick, use Auxiliary Fence 95 or the Flip-Over Fence 18.

When cutting a workpiece 1/8" (3.2 mm) thick or less, use the Auxiliary Fence 95.

Always position the Push Stick 8 and apply feed force parallel to the saw Blade. Make sure that the Push Stick 8 is positioned so that the long surface, A, is flat against the top of the workpiece and the short surface, B, is fully engaged with the trailing end of the workpiece. If a workpiece is shaped such that the Push Stick 8 cannot be fully supported in this manner, an appropriate push block or jig should be used to support that workpiece.

Feed the workpiece by hand until the trailing end is approximately 1" (25 mm) past the front edge of the Table 13. Continue to feed the workpiece using the Push Stick 8 until the cut is complete.

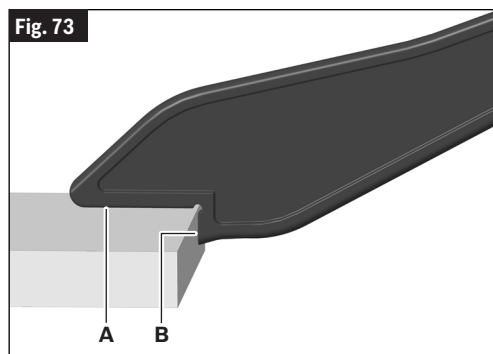


Using the Push Stick

(Fig. 72, Fig. 73)

⚠ WARNING Never contact the spinning saw Blade with the Push Stick. Contacting the spinning saw Blade with the Push Stick may result in personal injury or property damage.

Only use the Push Stick 8 when the width of the rip cut is 2" (50 mm) or greater. When width of rip is less than 2" (50 mm) the Push Stick 8 cannot be used because the Barrier Guard Assembly 25 will interfere.



Basic Table Saw Operations

Using the Push Block with the Auxiliary Fence

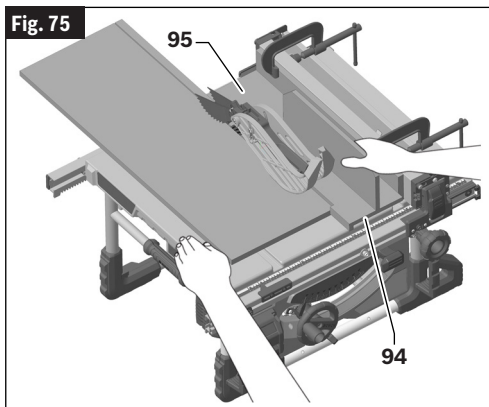
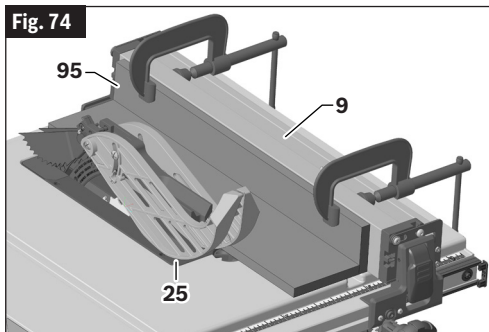
(Fig. 1, Fig. 74, Fig. 75)

When the width of a rip is narrower than 2" (50 mm), use the Auxiliary Fence **95** and Push Block **94**. The Push Stick **8** cannot be used, because the Barrier Guard Assembly **25** will interfere.

Attach the Auxiliary Fence **95** to the Rip Fence **9** with two C-clamps.

- Before clamping, remove the Push Stick **8** from its storage location on the Rip Fence **9**.
- Do not clamp on the Push Stick Storage Clips **63** or on the stored Flip-Over Fence **18**.
- Avoid contacting the Flip-Over Fence **18** with the C-clamp screw.

Feed the workpiece by hand until the trailing end is approximately 1" (25 mm) from the front edge of the Table **13**. Continue to feed using the push block on top of the auxiliary fence until the cut is complete.



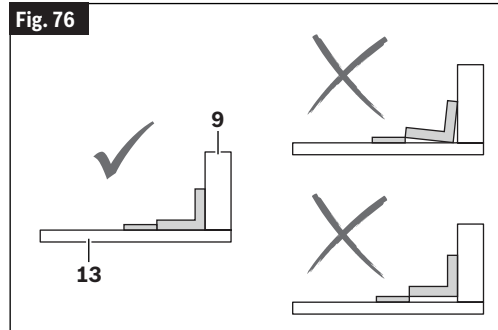
Using Auxiliary Fence as Thin Workpiece Fence

(Fig. 1, Fig. 74, Fig. 76)

When cutting a workpiece that's 1/8" (32 mm) thick or less, it is important to prevent the workpiece from wedging between the Table **13** and the bottom of the Rip Fence **9**. Proper use of the Auxiliary Fence **95** or the Flip-Over Fence **18** can eliminate gaps between the Table **13** and the bottom of the Rip Fence **9**.

Use the Auxiliary Fence **95** as a thin workpiece fence, and mount it to the Rip Fence **9** so there is no clearance between the bottom surface of the Auxiliary Fence **95** and the Table **13**. Fig. 76 illustrates the correct Table **13** and Auxiliary Fence **95** position.

See the section "Using the Flip-Over Fence" on page 50 for its use as a thin workpiece fence.

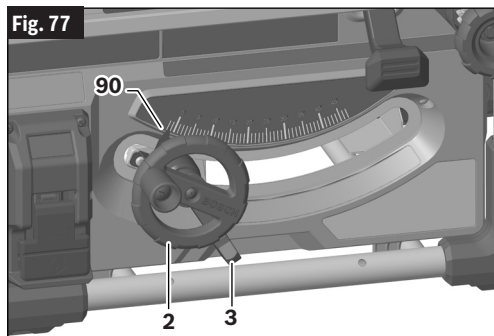


Basic Table Saw Operations

Blade Bevel Control

(Fig. 77)

1. Loosen the Blade Bevel Lock Handle **3** by turning it counterclockwise.
2. Slide the Elevation Wheel **2** until the Bevel Pointer **90** is at the desired angle.
3. Tighten the Blade Bevel Lock Handle **3** by turning it clockwise.



Using the Rip Fence

(Fig. 1, Fig. 71, Fig. 72, Fig. 78)

⚠ WARNING For your own safety, always observe the following safety precautions in addition to the safety instructions on pages 3 through 9.

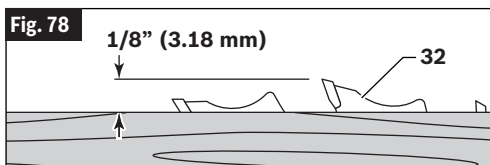
Ripping, Bevel Ripping, Resawing, and Rabbeting are performed using the Rip Fence together with the Auxiliary Fence **95** / Work Support, Tall Rip Fence Auxiliary Facing **104**, Flip-Over Fence **18**, Push Stick **8**, or Push Block **94**.

1. Never make these cuts Freehand (without using the Rip Fence **9** or auxiliary devices when required) because the Blade **32** could bind in the cut and cause a kickback.
2. Always lock the Rip Fence **9** securely when in use.
3. Remove Miter Gauge **14** from Table **13** during any operations which utilize the Rip Fence **9**.
4. Make sure Barrier Guard Assembly **25** is installed for all thru-sawing type cuts. Replace the guard IMMEDIATELY following completion of resawing, rabbeting, dadoing or molding operations.

Frequently check the action of the ANTIKICKBACK DEVICE **50** by passing the workpiece alongside of the Riving Knife (Splitter) **24** while saw is OFF.

Pull the workpiece TOWARD you. If the PAWLS do not DIG into the workpiece and HOLD it, then the Pawls **50** must be REPLACED or SHARPENED. (See "Anti-Kickback Device Maintenance" on page 60).

5. Have the Blade **32** extend approximately 1/8" (3.2 mm) above the top of the workpiece. Additional Blade **32** exposure increases the hazard potential.
6. Do not stand directly in front of the Blade **32** in case of a KICKBACK. Stand to either side of the Blade **32**.
7. Keep your hands clear of the Blade **32** and out of the path of the Blade **32**.



Basic Table Saw Operations

8. If the Blade **32** stalls or stops while cutting, TURN SWITCH OFF before attempting to free the Blade **32**.
9. Do not reach over or behind the Blade **32** to pull the work piece through the cut, to support long or heavy workpieces, to remove small cut-off pieces of material, or FOR ANY OTHER REASON.
10. Do not pick up small pieces of cut-off material from the Table **13**. REMOVE them by pushing them OFF the Table **13** with a long stick. Otherwise they could be thrown back at you by the rear of the Blade **32**.
11. Do not remove small pieces of cut-off material that may become TRAPPED inside the blade guard while the saw is RUNNING. THIS COULD ENDANGER YOUR HANDS or cause a KICKBACK. Turn the saw OFF and disconnect power source. After the Blade **32** has stopped turning, lift the guard and remove the piece.
12. If workpiece is warped, place the CONCAVE side DOWN. This will prevent it from rocking while it is being ripped.
13. When the width of the rip is 6" (152 mm) or wider, use your right hand to feed the workpiece. Use your left hand only to guide the workpiece. Do not feed the workpiece with the left hand.

When the width of the rip is 2" to 6" (50 mm to 152 mm) wide, use the Push Stick **8** to feed the work.

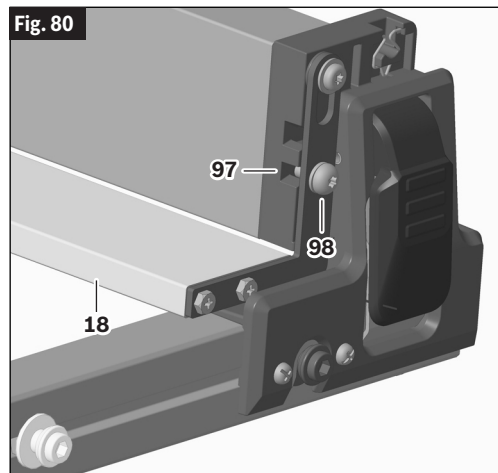
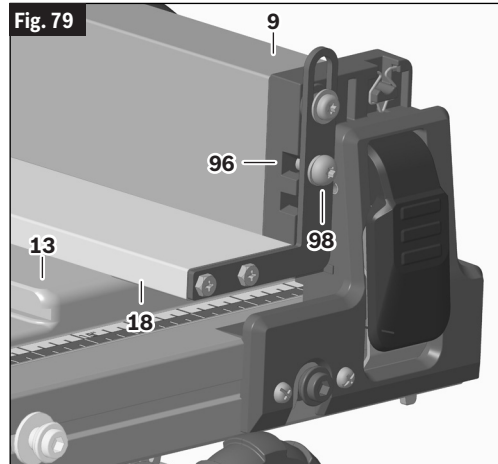
When the width of the rip is narrower than 2" (50 mm), the Push Stick **8** cannot be used because the Barrier Guard Assembly **25** will interfere. Instead, use the Auxiliary Fence and a Push Block.
14. When the width of the rip puts the Rip Fence **9** off of the Table **13**, use the Flip-Over Fence **18**, in the work support position to support the workpiece near the fence.

Using the Flip-Over Fence

(Fig. 79, Fig. 80)

The Flip-Over Fence **18** can be set in two different positions. The Upper Position **96** is used for cutting thin workpieces when the Rip Fence **9** is on top of the Table **13**. The Lower Position **97** is used for workpiece support when the Rip Fence **9** extends beyond the Table **13** by more

than 2" (50.8 mm). Refer to Fig. 79 and Fig. 80 in appropriate location. Note the location of the Flip-Over Fence Pin **98** in each figure.



Rail Lock Lever

(Fig. 81)

The Rail Lock Lever **6** locks the Rip Fence Rails **10** in place, preventing Rip Fence **9** movement during cutting.

To lock the Rail Lock Lever 6, push it down and toward the rear of the saw.

To unlock the Rail Lock Lever 6, pull it toward the front of the saw and up.

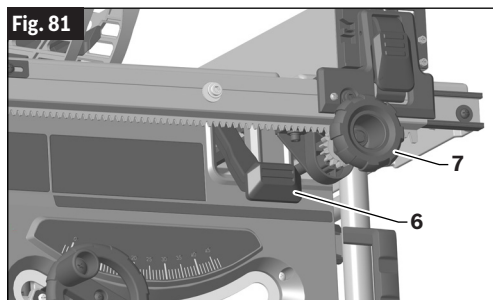
NOTE: When ripping, always lock the Rail Lock Lever **6**.

Basic Table Saw Operations

Rail Adjustment Knob

(Fig. 81)

The Rail Adjustment Knob **7** allows smaller adjustments of the Rip Fence **9**. Before using the Rail Adjustment Knob **7**, be sure the Rail Lock Lever **6** is unlocked.



When the width of the rip puts the Rip Fence **9** off of the Table **13**, use the Flip-Over Fence **18**, in the work support position to support the workpiece next to the Flip-Over Fence **18**.

When ripping LONG BOARDS or LARGE PANELS, always use an appropriate work support.

Bevel Ripping

When bevel ripping material 6" (152 mm) or narrower, only use the Rip Fence **9** on the right side of the Blade **32**. This will provide more space between the Rip Fence **9** and the Blade **32** for the use of the Push Stick **8**. If the Rip Fence **9** is mounted to the left, the Barrier Guard Assembly **25** may interfere with the proper use of the Push Stick **8**.

Using the Rip Fence Pointer

(Fig. 82)

The Rip Fence Pointer **80** shows the distance from the Blade **32** to the Rip Fence **9**.

Silver Rip Fence Index Pins 58: When the Rip Fence **9** is on the Silver Rip Fence Index Pins **57**, the Top Silver Scale **78** indicates the position of the Rip Fence **9** relative to the right side of the Blade **32**. In this position, the Rip Fence **9** can be used from 0" to 20" (0 mm to 508 mm).

Right Black Rip Fence Index Pins 59: When the Rip Fence **9** is on the Right Black Rip Fence Index Pins **59**, the Bottom Black Scale **79** indicates the position of the Rip Fence **9** relative to the right side of the Blade **32**. In this position, the Rip Fence **9** can be used from 5" to 25" (127 mm to 635 mm).

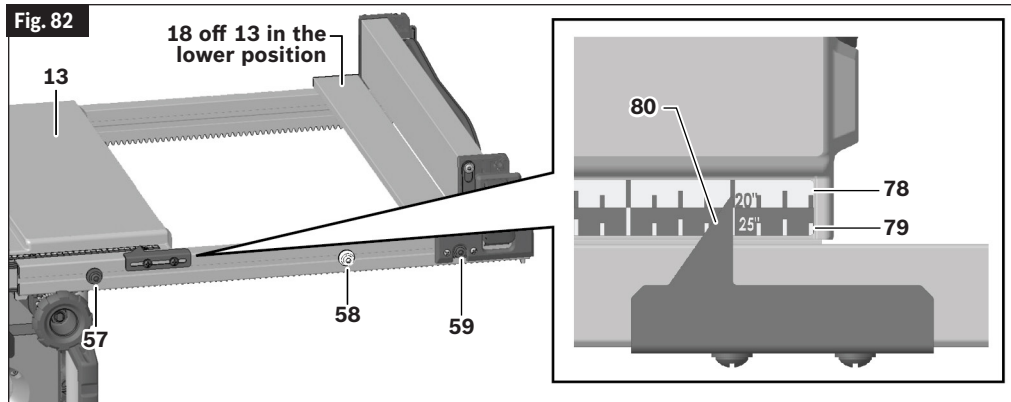
Ripping

(Fig. 1, Fig. 82)

Ripping is cutting a piece of wood with the grain, or lengthwise.

Position the Rip Fence **9** to the desired width of rip, and lock the Rip Fence in place. Before starting to rip:

- Be sure the Rip Fence **9** is parallel to the sawblade.
- Be sure the Riving Knife **24** is properly aligned with the sawblade.
- Be sure the Anti-Kickback Device **26** is functioning properly.



Basic Table Saw Operations

Using the Miter Gauge

⚠ WARNING For your own safety, always observe the following safety precautions in addition to the safety instructions on pages 3 through 9.

The Miter Gauge **14** is used when Crosscutting, Miter Cutting, Bevel Cutting, Compound Miter Cutting, or Rabbeting across the end of a narrow workpiece.

Never make these cuts freehand (without using the Miter Gauge **14** or other auxiliary devices) because the Blade **32** could bind in the cut and cause a kickback or cause your fingers or hand to slip into the Blade **32**.

Always lock the Miter Gauge **14** securely when in use.

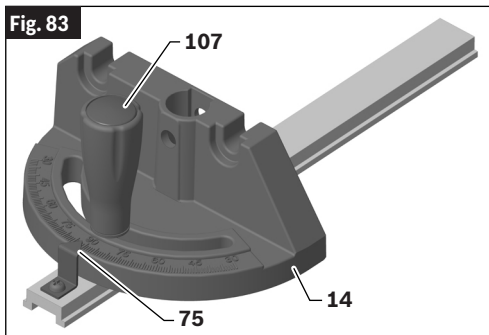
Remove Rip Fence **9** from Table **13** during any operations which utilize the Miter Gauge **14**.

When cross cutting with the Blade **32** set at 90° to the Table **13**, the Miter Gauge **14** can be used in either Miter Gauge Slot **73** on the Table **13**. When cross cutting with the Blade **32** tilted, use the Miter Gauge Slot **73** on the right side of the Table **13**, where the Blade **32** is tilted away from your hands and the Miter Gauge **14**.

Adjusting the Miter Angle

(Fig. 83)

Loosen the Miter Gauge Lock Knob **107** on the Miter Gauge **14** by turning it counterclockwise and set the body of the Miter Gauge **14** so that the Miter Gauge Pointer **75** is at the desired angle. Then tighten the Miter Gauge Lock Knob **107** by turning it clockwise.



Crosscutting

(Fig. 1, Fig. 83, Fig. 84)

Crosscutting is cutting wood across the grain, at 90° or square with both the edge and the flat side of the wood. This is done with the Miter Gauge **14** set at 90°.

Make sure the Smart Guard System **11** is installed for all “through-sawing” operations (when the Blade **32** cuts entirely thru the thickness of the workpiece). Replace the Smart Guard System **11** IMMEDIATELY after completion of dadoing or rabbeting cuts.

Have the Blade **32** extend approximately 1/8” (3.2 mm) above the top of workpiece. Additional Blade **32** exposure would increase the hazard potential.

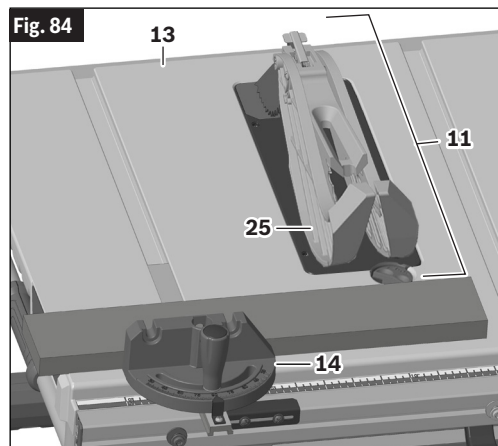
Do not stand directly in front of the Blade **32** in case of a THROWBACK. Stand to either side of the Blade **32**.

Keep your hands clear of the Blade **32** and out of the path of the Blade **32**.

If Blade **32** stalls or stops while cutting, TURN POWER SWITCH **1** OFF before attempting to free the Blade **32**.

Do not reach over or behind the Blade **32** to pull the workpiece through the cut, to support long or heavy workpieces, to remove cut-off pieces of material, or FOR ANY OTHER REASON.

Do not pick up small pieces of cut-off material from the Table **13**. REMOVE them by pushing them OFF the Table **13** with a long stick. Otherwise they could be thrown back at you by the rear of the Blade **32**.



Basic Table Saw Operations

Do not remove small pieces of cut-off material that are close to or may become TRAPPED inside the Barrier Guard Assembly **25** while the saw is RUNNING. THIS COULD ENDANGER YOUR HANDS or cause a KICKBACK. Turn the saw OFF. After the Blade **32** has stopped turning, lift the Barrier Guard Assembly **25** and remove the piece.

If the workpiece is warped, place the CONCAVE side DOWN. This will help prevent the workpiece from rocking while it is being cut.

The graduations on the Miter Gauge **14** provide sufficient accuracy for average woodworking. When extreme accuracy is required, for example, when making angle cuts, make a trial cut, and then recheck it with an accurate square or protractor.

If necessary, the body of the Miter Gauge **14** can be swiveled slightly to compensate for any inaccuracy.

TIP: The space between the bar of the Miter Gauge **14** and the Miter Gauge Slot **73** in the Table **13** is held to a minimum during manufacturing. For maximum accuracy, when using the Miter Gauge **14**, always “favor” one side of the Miter Gauge Slot **73** in the Table **13**. Don’t move the Miter Gauge **14** from side to side while cutting, but keep one side of the bar of the Miter Gauge **14** riding against one side of the Miter Gauge Slot **73**.

TIP: Glue a piece of sandpaper to the face of the miter gauge body of the Miter Gauge **14**. This will help prevent the workpiece from “creeping” while it is being cut.

The Miter Gauge **14** may be used in either of the Miter Gauge Slots **73** in the Table **13**.

Make sure the Miter Gauge **14** is locked.

When using the Miter Gauge **14** in the LEFT hand Miter Gauge Slot **73**, hold the workpiece firmly against the body of the Miter Gauge **14** with your left hand, and grip the Miter Gauge Lock Knob **107** with your right hand.

When using the RIGHT hand Miter Gauge Slot **73**, hold the workpiece with your right hand and grip the Miter Gauge Lock Knob **107** with your left hand.

Repetitive Crosscutting

(Fig. 85)

⚠ WARNING Never use rip fence as length stop. Cutoff piece can bind between Rip Fence and Blade causing KICKBACK.

⚠ WARNING Mount Facing Block in front of Blade so that workpiece does not contact Blade and Facing Block. Workpiece can bind between Facing Block and Blade causing Kickback.

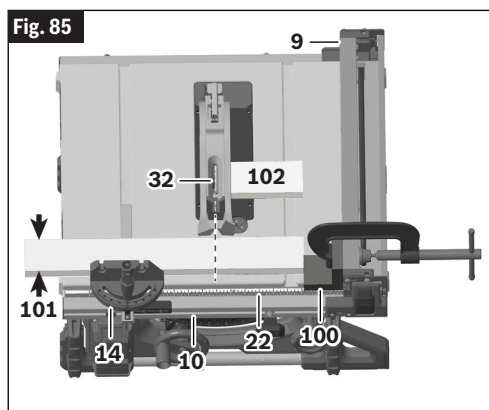
Repetitive crosscutting is cutting a quantity of pieces the same length without having to mark each piece. When making repetitive cuts from a long workpiece, make sure it is supported.

To make repetitive crosscuts:

1. When making repetitive cuts, securely attach the facing block to the Rip Fence **9** using a clamp. (See “Making the Facing Block” on page 45.) Select a clamp that does not interfere with the workpiece after the Facing Block **100** is clamped.
2. Slide the Rip Fence **9** (with the facing block) to a position which gives you the length of board that you want to repeat, and lock the Rip Fence **9** in position.

NOTE: If you are using the Rip Fence Scale **22** on the saw’s front Rail **10** during the setup, be sure to move the Rip Fence **9** an additional 3” (76.2 mm) to compensate for the depth of the Facing Block **100**.

3. Slide the workpiece along the Miter Gauge **14** until it touches the Facing Block **100**. Hold the workpiece securely.



Basic Table Saw Operations

4. Make dry run (practice). With the Battery Pack **29** disconnected, move the Miter Gauge **14** and workpiece along the Facing Block **100** until it touches the idle Blade **32**. (Blade **32** is set 1/8 inch (3.2mm) higher than workpiece.)

NOTE: The workpiece MUST be off the Facing Block **100** BEFORE it contacts the Blade **32**. Crosscutting Capacity **101** for these cuts is 5" (127 mm) with a 3/4" (19 mm) workpiece or 4-1/8" (105 mm) with a 1-1/2" (38 mm) workpiece. If the "dry run" is successful, go to the next step.

5. Insert the Battery Pack **29**, turn the saw on, and make the cut. Turn the saw off.
6. After the Blade **32** has stopped remove the Cutoff Piece **102** before cutting the next piece.

Miter Cutting

(Fig. 86)

Miter cutting is cutting wood at an angle other than 90° with the edge of the wood. Follow the same procedure as you would for crosscutting.

Adjust the Miter Gauge **14** to the desired angle, and lock it. (See "Adjusting the Miter Angle" on page 52.)

The Miter Gauge **14** may be used in either of the Miter Gauge Slots **73** in the Table.

When using the Miter Gauge **14** in the LEFT hand Miter Gauge Slot **73**, hold the workpiece firmly against the body of the Miter Gauge **14** with

your left hand, and grip the Miter Gauge Lock Knob **107** with your right hand.

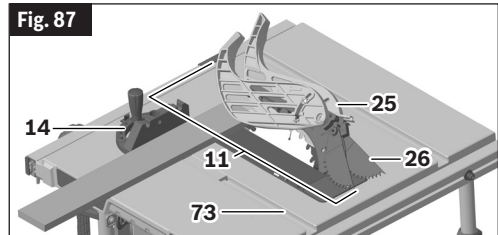
When using the RIGHT hand Miter Gauge Slot **73**, hold the workpiece with your right hand and grip the Miter Gauge Lock Knob **107** with your left hand.

Bevel Crosscutting

(Fig. 87)

Bevel crosscutting is the same as crosscutting, except that the wood is also cut at a bevel angle other than 90° with the flat side of the wood.

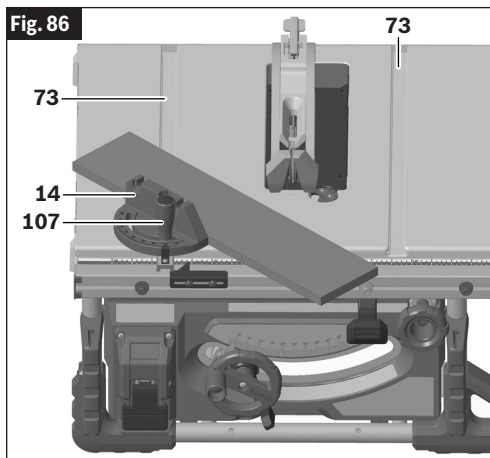
1. Adjust the Blade to the desired angle.
2. Use the Miter Gauge **14** in the Miter Gauge Slot **73** to the RIGHT of the Blade **32**.



Compound Miter Cutting

Compound miter cutting is a combination of miter cutting and bevel crosscutting. The cut is made at an angle other than 90° to both the edge and the flat side of the wood.

Adjust the Miter Gauge **14** and the Blade **32** to the desired angle and make sure the Miter Gauge **14** is locked.



Basic Table Saw Operations

Non-Through Cutting

(Fig. 1, Fig. 57, Fig. 68, Fig. 88)

⚠ WARNING Clamp the Auxiliary Facing securely to the Rip Fence without obstructing path of workpiece. Improper clamping can lead to workpiece instability and kickback.

Use Featherboards **99** for all “non through-sawing” operations (when the Barrier Guard Assembly **25** and Anti-Kickback Device **26** must be removed). Featherboards **99** are used to keep the work in contact with the Rip Fence **9** and Table **13** and to stop kickbacks.

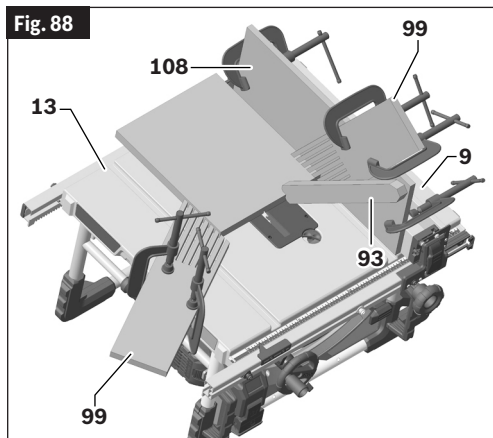
Be sure to securely clamp the Flat Facing Board **108** using C-clamps, or the Tall Rip Fence Auxiliary Facing **104** using universal fence clamps, as shown in Fig. 57 on page 41 to avoid damage to the Rip Fence **9**, workpiece instability and Kickback.

Add an 8” (203 mm) high Flat Facing Board **108** or a Tall Rip Fence Auxiliary Facing **104** to the Rip Fence **9** that runs the full length of the Rip Fence **9** as shown in Fig. 88.

Mount Featherboards **99** to the Flat Facing Board **108**, or Tall Rip Fence Auxiliary Facing **104**, and Table **13** as shown, so that the leading edges of the Featherboards **99** will support the workpiece until the cut is complete and the workpiece has been pushed completely past the cutter (sawblade, dado head, etc.) with the Push Stick **93**, as in ripping.

Before starting the operation, switch the saw OFF, and set the cutter below the surface of the Table **13**.

Fig. 88



- Install Featherboards **99** so they exert pressure on the workpiece. Make sure they are securely attached.
- Make sure by trial that the Featherboards **99** will stop a kickback if one should occur.

Featherboards **99** are not employed during non through-sawing operations when using the Miter Gauge **14**.

Replace the Smart Guard System **11** as soon as the non through-sawing operation is complete.

Rabbeting

(Fig. 87, Fig. 89, Fig. 90)

⚠ WARNING Clamp the Auxiliary Facing securely to the Rip Fence without obstructing path of workpiece. Improper clamping can lead to workpiece instability and kickback.

RABBETING is cutting out a section of the corner of a piece of material, across an end or along an edge.

Making a RABBET requires cuts which do not go all the way through the material. Therefore the Smart Guard System **11** must be removed.

1. Remove the Barrier Guard Assembly **25** and Anti-Kickback Device **26**.
2. For RABBETING along an edge (the long way of the workpiece):
 - Attach the Tall Rip Fence Auxiliary Facing **104** (see “Making Tall Rip Fence Auxiliary Facing” on page 45) to the Rip Fence **9** using two table saw fence clamps as shown in Fig. 90. The Tall Rip Fence Auxiliary Facing **104** should be as high as the workpiece is wide.
 - Adjust the Rip Fence **9** and Blade **32** to the required dimensions.
 - Make the first cut with the board flat on the Table **13**, using the set-up shown in Fig. 90.
 - Make the second cut with the workpiece on edge.

Follow all precautions, safety instructions, and operation instructions for ripping or rip-type operations, including the use of featherboards and the Push Stick **8**, etc.

Basic Table Saw Operations

3. For rabbeting across an end, for a workpiece that's 10-1/2" (267 mm) or narrower:

- Make the rabbet cut with the board flat on the Table **13**.
- Using the Miter Gauge **14** fitted with a facing, follow the same procedures and instructions for crosscutting, making successive cuts across the width of the workpiece to obtain the desired width of cut. DO NOT use the Rip Fence **9** for rabbeting across the end.

4. INSTALL SMART GUARD SYSTEM **11** IMMEDIATELY UPON COMPLETION OF RABBETING OPERATION.

Rabbet cuts can also be made in one pass of the workpiece over the cutter using the dado head.

Fig. 89

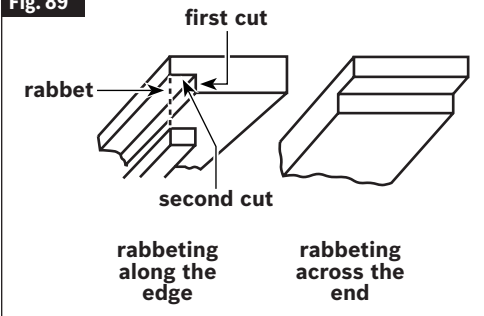
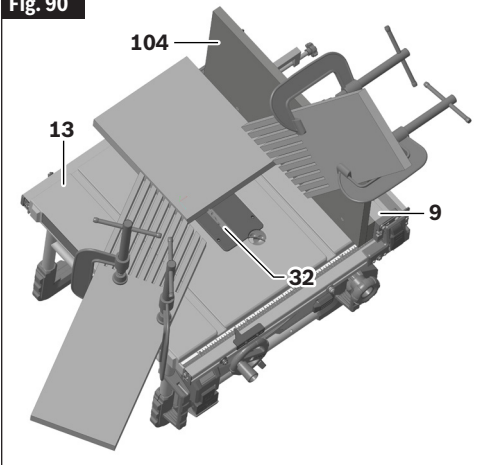


Fig. 90



Dado Cutting

Instructions for operating the saw with dado sets are contained in the booklet furnished with these accessories.

ALWAYS USE AN APPROPRIATE BOSCH TABLE INSERT **12** LISTED UNDER "Attachments and Accessories." (See page 61).

Installing a Dado Set

⚠ WARNING To reduce the risk of injury, always disconnect the Battery Pack before changing Blades.

⚠ WARNING To reduce the risk of injury, always use the Bosch Dado Blade Table Insert No. TS0801. Never make dado cuts without this insert. Never set dado cutters to any bevel angle other than the vertical 0° angle. Follow all warnings and instructions shown here and those that accompany your dado set. Failure to comply with these warnings may result in serious bodily injuries.

⚠ WARNING To reduce the risk of injury, do not use dado sets larger than 6" (152.4 mm) in diameter. The saw is not designed to accept larger sized dados.

A dado set is an accessory system used to make non-through grooves or lap cuts on work pieces. These tools are commonly used in furniture and cabinet building. After work pieces have been properly dado cut, they can be tightly joined together. This table saw can accommodate dado cutting up to 1/2" (12.7 mm) wide in a single pass.

Basic Table Saw Operations

Using Stacked Dado Sets

(Fig. 91, Fig. 92)

⚠ WARNING To reduce the risk of injury or property damage, read and follow all Operation/Safety Instructions included with the dado set before use.

⚠ WARNING To reduce the risk of injury, never use a single dado blade for normal saw thru-cutting. Never use chippers without both outside cutters. Read and follow all Operation/ Safety Instructions included with the dado set.

⚠ WARNING To reduce the risk of injury, never pass your hands over the cutting dado blades. Dado cuts are non-through (blind) cuts. Many times the cutters cannot be seen during cutting. (See “Non-Through Cutting” on page 55 for instructions on non-through sawing.)

⚠ WARNING To reduce the risk of injury, never make freehand cuts.

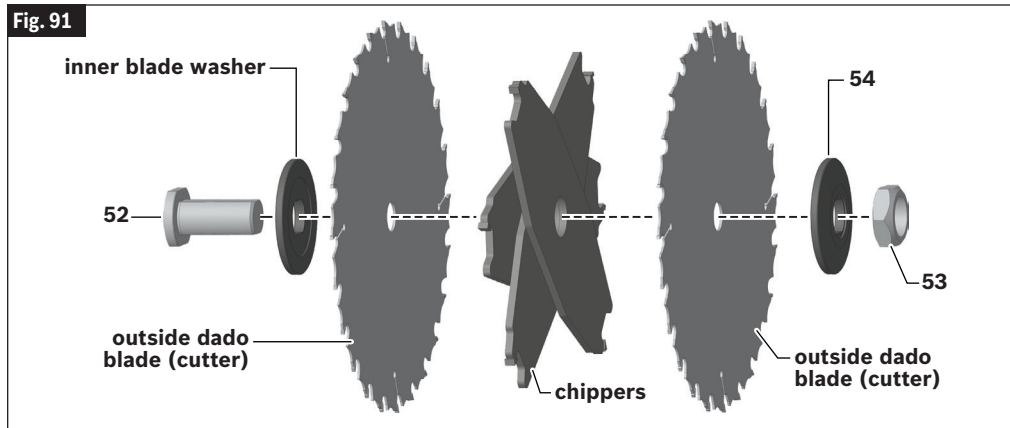
The work piece must be held against the saw’s Rip Fence or Miter Gauge as it is being fed. Whenever possible, use the Push Stick and push blocks for cutting. (See “Using the Push Stick, Push Block, and Auxiliary Fence” on page 47.) Always use feather boards, attached to the Table or Rip Fence. (See “Non-Through Cutting” on page 55.) When crosscutting, firmly hold the workpiece against the Miter Gauge. (See “Cross-cutting” on page 52).

NOTE: These instructions apply when using most standard stacked dado sets. Do not use a dado set if the manufacturer instructions differ from the ones provided below.

1. Disconnect the Battery Pack **29**.
2. Raise the saw Blade **32** to maximum height.
3. Remove the Barrier Guard Assembly **25** and Anti-Kickback Device **26**. (See “Attaching the Smart Guard System” on page 19.)
4. Remove the standard Table Insert **12**.
5. Lower and lock the Riving Knife **24** in its lowest position.
6. Remove the Arbor Nut **53**, the Outer Washer **54**, and the saw Blade **32** from the Arbor Shaft **52**. Leave the Inner Washer **55** on the Arbor Shaft **52**.
7. Install a dado stack:
 - Place the desired parts of the dado set onto the Arbor Shaft **52**.
 - Replace the Outer Washer **54** and securely tighten the Arbor Nut **53** onto the Arbor Shaft **52**.
8. Placing dado blades and chippers:
 - For 1/4” (6 mm) wide cuts, place the two outside dado blades (cutters) on the shaft. The two dado outside blades may be different, check for information on the blade and the manufacturer’s instructions for proper installation.
 - For wider cuts up to 1/2” (12.7 mm), chipper blades and spacers can be placed only between the outside blades (cutters).

NOTE: The Arbor Nut **53** must be fully engaged on the threads of the Arbor Shaft **52**.

Fig. 91



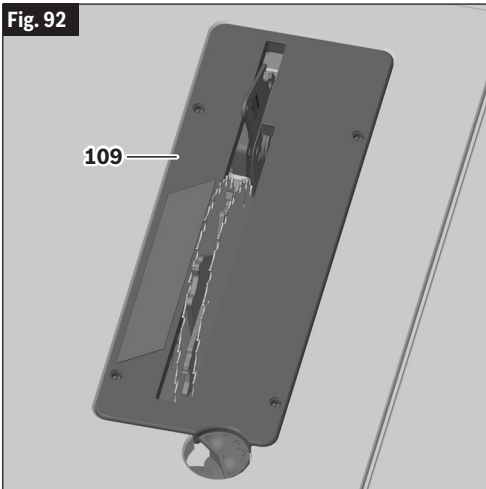
Basic Table Saw Operations

Do not exceed a stacked width greater than 1/2" (12.7 mm) with this saw.

- Lower the blades below the top of the Table **13** and insert the Bosch Dado Table Insert **109**. Raise the cutters to the desired depth of cut (above the insert). Check that the tool's Battery Pack **29** is disconnected, then carefully rotate the cutters by hand to make sure all components are tightly held and no interferences exist.
- Reinsert the Battery Pack **29** into the saw.
- Using scrap wood, make practice dado cuts and adjust height accordingly.

NOTE: Because dado cuts are non-through cuts, the Miter Gauge **14** can be used with the Rip Fence **9** locked in place. This is helpful when making repeat dado cross-cuts from the ends of more than one work piece. Each piece is held against the Miter Gauge **14** and its end slides along the Rip Fence **9** at a preset distance.

Depending on the final depth of cut and/or the density of the material, it may be required to make multiple cuts starting with small depths of 1/4" (6 mm) to 1/2" (13 mm) and progressing to final depth. When performing extensive repetitive dado cutting, periodically check the work pieces to see that the depth of cut is maintained.



Adjustable or Wobble Dado Sets

⚠ WARNING To reduce the risk of injury, do not use adjustable or “wobble” dado sets on this saw. Adjustable dado sets can be easily set to positions that may interfere with working components of this saw.

Special Cutting Techniques

⚠ WARNING Do not attempt to perform cuts not covered in this manual unless you are thoroughly familiar with appropriate procedures and fixturing.

This table saw is a highly versatile tool, capable of performing a wide range of highly specialized cuts that cannot be covered in this manual.

See your local library for books on woodworking techniques, such as: *The Complete Book of Stationary Power Tool Techniques* by R.J. De Christoforo or *Table Saw Techniques* by R. Cliffe.

Maintenance and Lubrication

⚠ WARNING To avoid accidents, always disconnect the Battery Pack from the tool before cleaning or performing any maintenance.

Service

⚠ WARNING All repairs, electrical or mechanical, should be attempted only by trained repairmen. Contact the nearest Factory Service Center or Authorized Service Station or other competent repair service. Use only identical replacement parts, any other may create a hazard.

Care of Blades

Blades become dull even from cutting regular lumber. If you find yourself forcing the saw forward to cut instead of just guiding it through the cut, chances are the blade is dull or coated with wood pitch.

When cleaning gum and wood pitch from the Blade **32**, disconnect the battery pack and remove the Blade **32**. Remember, blades are designed to cut, so handle carefully. Wipe the Blade **32** with Gum and Pitch Remover or similar solvent to remove the gum and pitch. Unless you are experienced in sharpening blades, we recommend you do not try.

Tool Lubrication

(Fig. 93)

Preventive maintenance performed by unauthorized personnel may result in misplacing of internal wires and components which could cause serious hazard. We recommend that all tool service be performed by a Bosch Factory Service Center or Authorized Bosch Service Station.

The gear case has been completely lubricated at the factory. However, after six months to one year, depending upon use, it's wise to return

your tool to the nearest Bosch Factory Service Center or Authorized Bosch Service Center for the following:

- Parts cleaned and inspected
- Relubricated with fresh lubricant
- Electrical system tested
- All repairs

Periodically lubricate moving parts, such as the Elevation Gears **111**, with a silicone or light oil spray. Do not use grease because it tends to attract and hold sawdust.

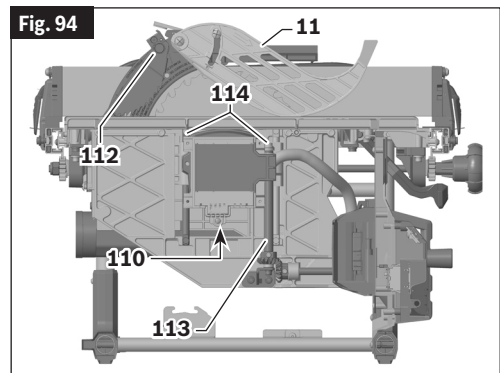
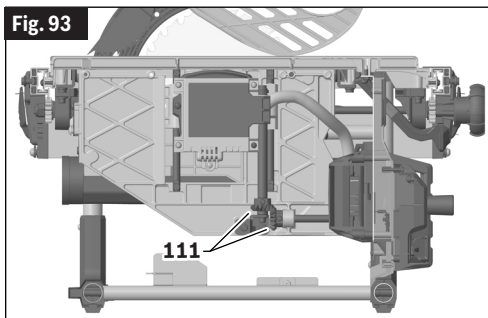
Cleaning

(Fig. 94)

⚠ CAUTION Certain cleaning agents and solvents damage plastic parts. Some of these are: gasoline, carbon tetrachloride, chlorinated cleaning solvents, ammonia, and household detergents that contain ammonia. Avoiding use of these types of cleaning agents will minimize the possibility of damage.

⚠ CAUTION Do not clean inside of motor openings with pointed objects. Damage to electronics or wiring can occur.

Do not allow sawdust or debris to accumulate on the motor, power switch, and saw mechanisms. Use a brush or a vacuum to remove dust and debris from the Vent Openings **110**, Guard Mechanisms **112**, Threaded Elevation Rod **113**, and Support Rods **114**. Regularly check to make sure the Smart Guard System **11** and all moving parts are working properly. Periodically



Maintenance and Lubrication

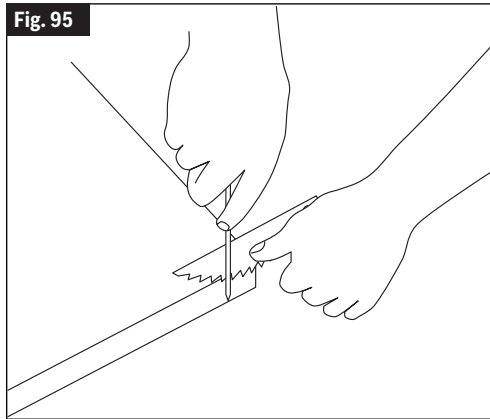
clean the Smart Guard System **11** with a rag or a brush.

Anti-Kickback Device Maintenance

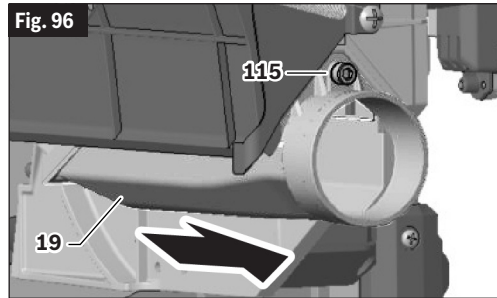
(Fig. 95)

Make sure the teeth of the anti-kickback device are always sharp. To sharpen:

1. Remove anti-kickback device from riving knife.
2. Rotate one pawl away from the other.
3. Hold pawl over corner of workbench.
4. Using a small round file (Smooth Cut) sharpen the teeth.



2. Remove the Dust Port/Vacuum Hook-Up **19** by sliding it away from the tool.
3. Clear any debris from the Dust Port/Vacuum Hook-Up **19** and inside of the blade enclosure.
4. Reattach the Dust Port/Vacuum Hook-Up **19**, and secure it with the Dust Port Retainer Screw **115**.



Clearing the Dust Port/Vacuum Hook-Up

(Fig. 96)

⚠ WARNING Do not operate saw without properly installed Dust Port/Vacuum Hook-Up. Missing or improperly installed chute can allow access to saw blade and result in property damage or personal injury.

Thin cut-offs may fall through the Table Insert **12** and accumulate in the Dust Port/Vacuum Hook-Up **19** preventing dust extraction. The Dust Port/Vacuum Hook-Up **19** is removable to allow clearing out of any dust and cut off buildup. To clear out the Dust Chute:

1. Loosen the Dust Port/Vacuum Hook-Up Retaining Screw **115**.

Attachments and Accessories

Item	Catalog Number
Vacuum hose adapter	VAC004
Dust bag	TS1004
Zero Clearance Insert	TS0800
Dado Insert	TS0801
Table Saw Stand	GTA570

Troubleshooting

⚠ WARNING To avoid accidents, always disconnect the Battery Pack from the tool before troubleshooting.

Problem	Cause	Corrective Action
Saw will not start.	Battery Pack 29 is not attached.	Connect the Battery Pack 29 . Make sure that the Battery Pack 29 is fully inserted.
	Thermal protection in the circuit board may have tripped.	The Battery Pack 29 , motor, or circuit board may need to cool down.
	The Battery Pack 29 had discharged.	Check the battery fuel gauge for the charge remaining. Charge or replace the Battery Pack 29 .
	The temperature of the Battery Pack 29 is outside of the normal operating range.	Let the Battery Pack 29 cool down until it reaches the normal operating temperature range. (See “Specifications” on page 10 for the allowed ambient temperature range.)
	Electronic Motor Protection turned the tool off.	Disconnect the Battery Pack 29 and replace it.
	Other.	1. Have the tool reviewed by an Authorized Bosch Service Center or Service Station.
Blade does not come up to speed.	Battery Pack has low charge level.	Charge the Battery Pack 29 .
	The Battery Pack 29 is close to end of life, and battery output is reduced.	Replace the Battery Pack 29 .
	The tool or the Battery Pack 29 is overheated.	Let the tool and Battery Pack 29 cool down until it reaches normal operating temperature. (See “Specifications” on page 10 for the allowed ambient temperature range.)
	The temperature of the Battery Pack 29 is too low.	Gradually warm up the Battery Pack 29 in a warmer location then replace in the saw once it reaches normal operating temperature. (See “Specifications” on page 10 for the allowed ambient temperature range.)
Low Power.	Using a non-pro-core pack.	The saw works best with an 8ah or 12ah Pro Core battery pack. The saw will run with other batteries but with weaker power.

Troubleshooting

Problem	Cause	Corrective Action
Excessive vibration.	Blade Bevel Lock Handle 3 not tightened.	See “Getting to Know Your GTS18V-08 Table Saw” on page 13.
	The Blade 32 is out of balance.	Discard the Blade 32 and use a different Blade 32 .
	The saw is not mounted securely to the stand or workbench.	Tighten all mounting hardware. See “Mounting the Table Saw” on page 32.
	The Arbor Nut 53 not tightened properly.	Tighten the Arbor Nut 53 . (See “Changing the Blade” on page 21.)
Cannot make square cut when crosscutting.	The Miter Gauge 14 is not adjusted properly.	See “Miter Gauge Adjustment” on page 34.
Cut binds, burns, stalls motor when ripping.	The Blade 32 is dull.	Replace Blade 32 . (See “Changing the Blade” on page 21.)
	Warped board.	Make sure the concave or hollow side is facing DOWN, and feed slowly.
	The Rip Fence 9 is not parallel to the Blade 32 .	See “Rip Fence Adjustments” on page 34.
	The Riving Knife 24 is out of alignment.	See “Adjusting the Riving Knife” on page 37.
Cut not true at 90° or 45° positions.	The bevel stops are not adjusted properly.	See “Adjusting 0° and 45° Positive Stops” on page 39.
Blade Bevel Lock Handle Elevation Wheel hard to move.	Blade Bevel Lock Handle 3 not loosened.	See the “Blade Tilt Lock Handle” explanation in “Getting to Know Your GTS18V-08 Table Saw” on page 13.
	Saw dust on the threads of the Threaded Elevation Rod 113 .	See “Cleaning” on page 59.
	Undercarriage filled with saw dust.	Frequently blow out any dust that has accumulated in the undercarriage, motor, or blade elevation gears.
Rip fence will not correctly clamp to rails.	The Rip Fence 9 is not fully seated on the Rails 10 .	Make sure that both ends of the Rip Fence 9 are fully seated flush against the Rails 10 before trying to latch the Rip Fence Lock Levers 56 .

Symboles relatifs à la sécurité

Les définitions ci-dessous décrivent le niveau de gravité pour chaque terme signalant un danger.
Veuillez lire le mode d'emploi et lire la signification de ces symboles.





	C'est le symbole d'alerte relatif à la sécurité. Il est utilisé pour vous avertir de l'existence possible d'un danger de lésion corporelle. Obéissez à tous les messages relatifs à la sécurité qui suivent ce symbole pour éviter tout risque de blessure ou même de mort.
	DANGER indique une situation dangereuse qui, si elle n'est pas évitée, causera la mort d'une personne ou une blessure grave.
	AVERTISSEMENT indique une situation dangereuse qui, si elle n'est pas évitée, causera la mort d'une personne ou une blessure grave.
	MISE EN GARDE indique une situation dangereuse qui, si elle n'est pas évitée, causera une blessure légère ou modérée.

Table des matières

Symboles relatifs à la sécurité	64	Rangement du bâton poussoir	88
Avertissements généraux relatifs à la sécurité pour les outils électriques	65	Stockage du guide de refente	88
Consignes de sécurité pour les scies à table	67	Stockage du système Smart Guard	89
Consignes de sécurité additionnelles	71	Rangement de la clé hexagonale.....	92
Utilisation prévue	72	Rangement de la clé à lame	92
Spécifications	72	Transport de la scie	93
Capacités de coupe	72	Montage de la scie à table	94
Symboles	73	Réglages	95
Familiarisez-vous avec votre scie à table GTS18V-08	75	Réglage du parallélisme de la lame par rapport aux rainures de la jauge à onglets	95
Glossaire	77	Réglages du guide de refente	96
Déballage et inspection du contenu	78	Alignement du couteau séparateur	99
Déballage de la scie à table	78	Réglage de l'élément amovible de la table	101
Outils nécessaires pour l'assemblage	79	Réglage des butées positives de 0° et 45°	101
Assemblage	80	Utilisations basiques de la scie à table	103
Insertion et retrait du bloc-piles	80	Interrupteur	103
Retrait et installation de l'élément amovible de la table	80	Indicateur d'état de charge	103
Fixation du système Smart Guard	81	Utilisation du système Smart Guard	104
Sélection et remplacement de la lame	83	Couteau séparateur (diviseur)	104
Fixation du guide de refente	84	Ensemble de barrière de protection	105
Rangement, transport et montage	88	Dispositif de protection contre les chocs en retour	105
Rangement du guide d'onglet	88	Fabrication d'accessoires pour le sciage	105

Table des matières

Utilisation du bâton poussoir, du bloc poussoir et du guide auxiliaire	109	Maintenance du dispositif de protection contre les chocs en retour	123
Utilisation du guide de refente	111	Nettoyage de l'orifice de dépoussiérage/du raccord de tuyau d'aspiration	123
Utilisation de la jauge à onglets	114	Attachements et Accessoires	124
Réglage de l'angle d'onglet	114	Recherche de la cause des problèmes	125
Coupe partielle	117		
Techniques de coupe spéciales	121		
Maintenance et lubrification	122		
Service après-vente	122		
Entretien des lames	122		
Lubrification de l'outil	122		
Nettoyage	122		

Avertissements généraux relatifs à la sécurité pour les outils électriques

⚠ AVERTISSEMENT Lisez toutes les consignes de sécurité, instructions, illustrations et spécifications fournies avec cet outil électrique. Le non-respect de toutes les instructions figurant ci-après pourrait causer un choc électrique, un incendie et/ou des blessures graves.

CONSERVEZ TOUS LES AVERTISSEMENTS ET TOUTES LES INSTRUCTIONS POUR RÉFÉRENCE FUTURE.

Le terme « outil électrique » dans les avertissements fait référence à votre outil électrique à cordon d'alimentation électrique branché dans une prise secteur ou à votre outil électrique à piles (sans fil).

1. Sécurité de la zone de travail

- Gardez votre zone de travail propre et bien éclairée.** Des zones encombrées ou sombres sont propices aux accidents.
- N'utilisez pas des outils électriques dans une atmosphère explosive, par exemple en présence de liquides, de gaz ou de poussières inflammables.** Les outils électriques produisent des étincelles qui risquent de mettre feu aux poussières ou émanations de fumée.
- Gardez les enfants et les autres personnes présentes à une distance suffisante lorsque vous utilisez un outil électrique.** Des distractions risqueraient de vous faire perdre le contrôle.

courant correspondant naturellement aux fiches réduira le risque de choc électrique.

- Évitez tout contact de votre corps avec des surfaces mises à la terre ou à la masse telles que des surfaces de tuyaux, de radiateurs, de cuisinières et de réfrigérateurs.** Il existe un risque accru de choc électrique si votre corps est en contact avec la terre ou la masse.
- N'exposez pas d'outils électriques à la pluie ou à un environnement humide.** La pénétration d'eau dans un outil électrique augmentera le risque de choc électrique.
- N'utilisez pas le cordon de façon abusive.** N'utilisez pas le cordon pour porter, tirer ou débrancher l'outil électrique. Tenez le cordon à distance de toute source de chaleur, d'huile, de bords tranchants ou de pièces mobiles. Des cordons endommagés ou entortillés augmentent le risque de choc électrique.
- Lorsque vous utilisez un outil électrique à l'extérieur, employez un cordon de rallonge approprié pour un emploi à l'extérieur.** L'utilisation d'un cordon approprié pour une utilisation à l'extérieur réduit le risque de choc électrique.

2. Sécurité électrique

- La fiche de l'outil électrique doit correspondre à la prise de courant.** Ne modifiez jamais une fiche de quelque façon que ce soit. N'utilisez pas d'adaptateurs de fiches avec des outils électriques mis à la terre/à la masse. L'emploi de fiches non modifiées et de prises de

CONSERVEZ CES INSTRUCTIONS

Avertissements généraux relatifs à la sécurité pour les outils électriques

- f. **Si l'utilisation d'un outil électrique dans un endroit humide est inévitable, utilisez une alimentation protégée par un disjoncteur de fuite à la terre.**

L'utilisation d'un tel circuit réduit le risque de choc électrique.

3. Sécurité personnelle

- a. **Faites preuve de vigilance et de bon sens, et observez attentivement ce que vous faites lorsque vous utilisez un outil électrique.** N'utilisez pas un outil électrique si vous êtes fatigué(e) ou sous l'influence de drogues, d'alcool ou de médicaments. Un simple moment d'inattention pendant que vous utilisez un outil électrique pourrait causer une blessure grave.
- b. **Utilisez des équipements de protection individuelle.** Portez toujours des équipements de protection des yeux. Des équipements de protection tels qu'un masque de protection contre la poussière, des chaussures de sécurité antidérapantes, un casque ou un dispositif de protection de l'ouïe utilisés en fonction des conditions réduiront le nombre des blessures.
- c. **Prévenez tout risque de mise en marche accidentelle.** Assurez-vous que l'interrupteur est dans la position d'arrêt (OFF) avant de connecter l'appareil à une source d'alimentation et/ou à un bloc-piles, de le soulever ou de le transporter. Le fait de transporter des outils électriques avec le doigt sur l'interrupteur ou de mettre sous tension des outils électriques avec l'interrupteur en position de marche invite les accidents.
- d. **Retirez toute clé de réglage pouvant être attachée à l'outil avant de mettre l'outil électrique sous tension.** Une clé laissée attachée à une pièce en rotation de l'outil électrique pourrait causer une blessure.
- e. **Ne vous penchez pas excessivement au-dessus de l'outil.** Veillez à toujours garder un bon équilibre et un appui stable. Ceci permet de mieux contrôler l'outil électrique dans des situations inattendues.
- f. **Portez des vêtements appropriés.** Ne portez pas de bijoux ou de vêtements amples. Gardez vos cheveux et vos vêtements à une distance suffisante des pièces mobiles. Les vêtements amples, bijoux ou cheveux longs pourraient être attrapés par des pièces mobiles.
- g. **Si des dispositifs sont fournis pour le raccordement d'accessoires d'extraction et de collecte de la poussière, assurez-vous qu'ils sont connectés et utilisés de façon appropriée.** L'emploi correct des accessoires de collecte de la poussière peut réduire les dangers associés à la poussière.

- h. **Ne laissez pas la familiarité résultant de l'utilisation fréquente des outils vous inciter à devenir complaisant(e) et à ignorer les principes de sécurité relatifs aux outils.** Une action négligente pourrait causer des blessures graves en une fraction de seconde.

4. Utilisation et entretien de l'outil électrique

- a. **N'imposez pas de contraintes excessives à l'outil électrique.** Utilisez l'outil électrique approprié pour votre application. L'outil électrique correct fera le travail plus efficacement et avec plus de sécurité à la vitesse à laquelle il a été conçu pour fonctionner.
- b. **N'utilisez pas l'outil électrique si l'interrupteur de marche/arrêt ne permet pas de le mettre sous tension/hors tension.** Tout outil électrique qui ne peut pas être contrôlé par son interrupteur est dangereux et doit être réparé.
- c. **Débranchez la fiche de la source d'alimentation électrique et/ou retirez le bloc-piles de l'outil électrique (s'il est amovible) avant d'y apporter de quelconques modifications, de changer d'accessoire ou de ranger l'outil électrique.** De telles mesures de sécurité préventives réduisent le risque de déclenchement accidentel de l'outil électrique.
- d. **Rangez les outils électriques qui ne sont pas utilisés activement hors de portée des enfants, et ne laissez aucune personne n'ayant pas lu ces instructions et ne sachant pas comment utiliser un tel outil électrique se servir de cet outil.** Les outils électriques sont dangereux quand ils sont entre les mains d'utilisateurs n'ayant pas reçu la formation nécessaire à leur utilisation.
- e. **Entretenez de façon appropriée les outils électriques et les accessoires.** Assurez-vous que les pièces en mouvement sont bien alignées et qu'elles ne se coincent pas, qu'il n'y a pas de pièces cassées ou qu'il n'existe aucune situation pouvant affecter le fonctionnement de l'outil électrique. Si l'outil électrique est endommagé, faites-le réparer avant de vous en servir à nouveau. De nombreux accidents sont causés par des outils électriques mal entretenus.
- f. **Gardez les outils de coupe tranchants et propres.** Des outils de coupe entretenus de façon adéquate avec des bords de coupe tranchants sont moins susceptibles de se coincer et sont plus faciles à contrôler.
- g. **Utilisez l'outil électrique, les accessoires, les embouts de l'outil, etc.** conformément à ces instructions, en tenant compte des conditions de travail et de la tâche à accomplir. L'utilisation de l'outil électrique pour des

CONSERVEZ CES INSTRUCTIONS

Avertissements généraux relatifs à la sécurité pour les outils électriques

opérations différentes de celles pour lesquelles il est conçu pourrait causer une situation dangereuse.

- h. Gardez les poignées et les surfaces de préhension propres, sèches et exemptes de toute trace d'huile ou de graisse.** Les poignées et les surfaces de préhension glissantes ne permettent pas une manipulation et un contrôle sûrs de l'outil dans des situations inattendues.

5. Utilisation et entretien de l'outil électrique à pile

- a. Ne rechargez l'outil qu'avec le chargeur indiqué par le fabricant.** Un chargeur qui est approprié pour un type de bloc-piles pourrait créer un risque d'incendie quand il est utilisé avec un autre bloc-piles.
- b. Utilisez votre outil exclusivement avec des blocs-piles conçus spécifiquement pour celui-ci.** L'emploi de tout autre bloc-piles risquerait de causer des blessures et un incendie.
- c. Lorsque le bloc-piles n'est pas utilisé, gardez-le à une distance suffisante des autres objets en métal, comme des trombones, pièces de monnaie, clés, clous, vis ou autres petits objets en métal qui pourraient faire une connexion entre une borne et une autre.** Le court-circuitage des bornes d'une pile pourrait causer des brûlures ou un incendie.
- d. Dans des conditions d'utilisation abusives, du liquide pourrait être éjecté de la pile, évitez tout contact avec celui-ci.** En cas de contact accidentel, lavez avec

de l'eau. En cas de contact de liquide avec les yeux, consultez un professionnel de santé. Tout liquide éjecté d'une pile peut causer de l'irritation ou des brûlures.

- e. N'utilisez pas un bloc-piles ou un outil qui est endommagé ou a été modifié.** Des piles endommagées ou modifiées peuvent se comporter de façon imprévisible et causer un incendie ou une explosion, ou entraîner des blessures.
- f. N'exposez pas un bloc-piles ou un outil à un incendie ou à une température excessive.** L'exposition à un incendie ou à une température supérieure à 130° C / 265° F pourrait causer une explosion.
- g. Suivez toutes les instructions relatives à la charge et ne chargez pas le bloc-piles ou l'outil en dehors de la plage de température indiquée dans les instructions.** Une charge dans des conditions appropriées ou à des températures en dehors de la plage spécifiée pourrait endommager les piles et augmenter le risque d'incendie.

6. Service après-vente

- a. Faites entretenir votre outil électrique par un réparateur compétent n'utilisant que des pièces de rechange identiques.** Ceci assurera le maintien de la sécurité de l'outil électrique.
- b. Ne tentez jamais de réparer des blocs-piles endommagés.** La réparation de blocs-piles ne doit être effectuée que par le fabricant ou un prestataire de services agréé.

Consignes de sécurité pour les scies à table

1. Avertissements concernant les dispositifs de protection

- a. Laissez les dispositifs de protection en place.** Les dispositifs de protection doivent être en bon état de fonctionnement et être montés correctement. Un dispositif de protection desserré, endommagé ou ne fonctionnant pas correctement doit être réparé ou remplacé.
- b. Utilisez toujours le dispositif de protection de la lame de scie, le couteau séparateur et le dispositif de protection contre les chocs en retour pour chaque opération de coupe de bout en bout.** Pour les opérations de coupe de bout en bout dans le cadre desquelles la lame de scie coupe l'ouvrage sur toute son épaisseur, le dispositif de protection de la lame et les autres dispositifs de sécurité contribuent à réduire le risque de blessure.

- c. Rattachez immédiatement le système de protection après avoir terminé une opération (p. ex., des feuillures, des rainures ou des coupes de resciage) qui nécessitait le retrait du dispositif de protection de la lame, du couteau séparateur et/ou du dispositif de protection contre les chocs en retour.** Le dispositif de protection de la lame, le couteau séparateur et le dispositif de protection contre les chocs en retour contribuent à réduire le risque de blessure.
- d. Assurez-vous que la lame de la scie n'est pas en contact avec le dispositif de protection de la lame, le couteau séparateur ou l'ouvrage avant de mettre l'interrupteur en position de marche.** Un contact par inadvertance de ces éléments avec la lame de la scie pourrait causer une situation dangereuse.
- e. Ajustez le couteau séparateur tel que cela est décrit dans le mode d'emploi.** Un espacement, positionnement ou alignement incorrect pourrait rendre le

CONSERVEZ CES INSTRUCTIONS

Consignes de sécurité pour les scies à table

couteau séparateur inefficace et accroître ainsi le risque de choc en retour.

- f. **Pour que le couteau séparateur et le dispositif de protection contre les chocs en retour fonctionnent, ils doivent être engagés dans l'ouvrage.** Le couteau séparateur et le dispositif de protection contre les chocs en retour ne sont pas efficaces pour couper des ouvrages qui sont trop courts pour être engagés avec le couteau séparateur et le dispositif de protection contre les chocs en retour. Dans ces conditions, un choc en retour ne peut pas être évité par l'action du couteau séparateur et du dispositif de protection contre les chocs en retour.
- g. **Utilisez la lame de scie appropriée pour le couteau séparateur.** Pour que le couteau séparateur fonctionne correctement, le diamètre de la lame de la scie doit correspondre au couteau séparateur approprié, le corps de la lame de la scie doit être plus fin que l'épaisseur du couteau séparateur et la largeur de coupe de la lame de la scie doit être supérieure à l'épaisseur du couteau séparateur.

2. Avertissements relatif aux procédures de coupe

- a.  **Ne placez jamais vos doigts ou vos mains à proximité de la lame de la scie ou sur la trajectoire du trait de scie.**

Un moment d'inattention ou un dérapage de la lame pourrait mettre la lame de la scie en contact avec votre main et causer une blessure grave.

- b. **Faites seulement avancer l'ouvrage contre la lame de la scie ou le couteau dans le sens opposé au sens de rotation.** Si vous faites avancer l'ouvrage dans le même sens que le sens de rotation de la lame de la scie au-dessus de la table, il est possible que l'ouvrage et votre main soient attirés vers la lame de la scie.
- c. **N'utilisez jamais le guide d'onglet pour faire avancer l'ouvrage lors de coupes longitudinales, et n'utilisez pas le guide de refente comme butée longitudinale lors de coupes transversales avec le guide d'onglet.** Le fait de guider l'ouvrage avec le guide de refente et le guide d'onglet en même temps accroît le risque de voir la lame se coincer et causer un choc en retour.
- d. **Lors d'une coupe longitudinale, appliquez toujours la force d'avancement de l'ouvrage entre le guide de refente et la lame de la scie.** Utilisez un bâton poussoir lorsque la distance entre le guide de refente et la lame de la scie est inférieure à 150 mm / 6 po, et utilisez un bloc poussoir lorsque cette distance est inférieure à 50 mm / 2 po. Les « accessoires de sciage » vous aideront à

maintenir les mains à une distance suffisante de la lame de la scie.

- e. **Utilisez seulement le bâton poussoir fourni par le fabricant ou un bâton poussoir construit conformément aux instructions.** Ce bâton poussoir assure une distance suffisante entre la main et la lame de la scie.
- f. **N'utilisez jamais un bâton poussoir endommagé ou coupé.** Un bâton poussoir endommagé pourrait se casser et précipiter votre main vers la lame de la scie.
- g. **N'effectuez aucune opération de coupe « à main levée ».** Servez-vous toujours soit du guide de refente, soit du guide d'onglet pour positionner et guider l'ouvrage. « À main levée » fait référence à l'utilisation de vos mains pour soutenir ou guider l'ouvrage à la place d'un guide de refente ou d'un guide d'onglet. Le fait de scier à main levée entraîne un risque d'alignement incorrect, un risque de coincement de la lame et un risque de choc en retour en conséquence.
- h. **Ne vous penchez jamais au-dessus ou autour d'une lame de scie en train de tourner.** Vous risqueriez d'entrer en contact accidentellement avec la lame de scie en mouvement.
- i. **Placez un soutien auxiliaire pour l'ouvrage à l'arrière et/ou sur les côtés de la table de la scie si vous avez besoin de couper des ouvrages longs et/ou larges afin qu'ils restent bien à plat.** Un ouvrage long et/ou large a tendance à pivoter sur le bord de la table, pouvant ainsi causer une perte de contrôle, le coincement de la lame de la scie et un choc en retour.
- j. **Faites avancer l'ouvrage à une vitesse uniforme. Ne pliez pas et ne tordez pas l'ouvrage.** En cas de coincement, éteignez l'outil immédiatement, déconnectez le bloc-piles de l'outil et dégagez l'ouvrage coincé. Le coincement de la lame de la scie dans l'ouvrage risquerait de causer un rebond ou choc en retour ou de faire caler le moteur.
- k. **Ne retirez pas de morceaux de matériau coupé pendant que la scie tourne.** Le matériau risque de se coincer entre le guide de refente et la lame de la scie, ou à l'intérieur du dispositif de protection de la lame de scie, attirant ainsi vos doigts vers la lame de la scie. Éteignez la scie et attendez que la lame de la scie cesse de tourner avant de retirer l'ouvrage.
- l. **Utilisez un guide auxiliaire en contact avec le dessus de la table lorsque vous coupez longitudinalement des ouvrages de moins de 2 mm / 0,08 po d'épaisseur.** Un ouvrage très fin pourrait se coincer en dessous du guide de refente et entraîner un rebond ou choc en retour.

CONSERVEZ CES INSTRUCTIONS

Consignes de sécurité pour les scies à table

3. Causes des effets de chocs en retour et avertissements associés

Le choc en retour est une réaction soudaine de l'ouvrage produite par un pincement ou coincement de la lame de la scie, par une trajectoire de sciage mal alignée sur l'ouvrage par rapport à la lame de la scie, ou par le coincement d'une partie de l'ouvrage entre la lame de la scie et le guide de refente ou un autre objet fixe.

Plus fréquemment, pendant un rebond ou choc en retour, l'ouvrage est soulevé de la table par la partie arrière de la lame de la scie et est projeté en direction de l'opérateur.

Le choc en retour est la conséquence d'une utilisation incorrecte de la scie et/ou de conditions inappropriées ou de procédures opérationnelles incorrectes ; il peut être évité en prenant des précautions appropriées, comme cela est indiqué ci-dessous.

- a. **Ne vous tenez jamais directement sur la trajectoire de la lame de la scie.** Positionnez toujours votre corps du même côté de la lame de la scie que le guide. Le rebond peut propulser l'ouvrage à grande vitesse vers une personne se tenant devant la lame de la scie et sur sa trajectoire.
- b. **Ne vous penchez jamais au-dessus ou à l'arrière d'une lame de scie pour tirer l'ouvrage ou pour le soutenir.** Un contact accidentel avec la lame de la scie peut se produire, ou un choc en retour peut attirer vos doigts vers la lame de la scie.
- c. **Ne tenez et ne poussez jamais un ouvrage qui est en train d'être coupé contre la lame de la scie en rotation.** Le fait de pousser un ouvrage qui est en train d'être coupé contre la lame de la scie créera un risque de coincement qui pourrait résulter en un choc en retour.
- d. **Alignez le guide pour qu'il soit parallèle à la lame de la scie.** Un guide mal aligné pincera l'ouvrage contre la lame de la scie et produira un effet de rebond.
- e. **Utilisez une planche à languettes pour guider l'ouvrage contre la table et le guide lorsque vous effectuez des coupes partielles comme des feuillures, des rainures ou des coupes de resciage.** Une planche à languettes aide à contrôler l'ouvrage en cas de choc en retour.
- f. **Faites particulièrement attention lorsque vous faites une coupe dans une partie sans visibilité d'un ouvrage assemblé.** La lame de scie saillante pourrait couper des objets susceptibles de causer un choc en retour.
- g. **Soutenez les grands panneaux pour minimiser les risques de pincement de la lame de la scie et de choc en retour.** Les grands panneaux ont tendance à s'affaisser sous leur propre poids. Les supports doivent être placés en dessous de toutes les parties du panneau qui dépassent la surface de la table.
- h. **Faites tout particulièrement attention lorsque vous coupez un ouvrage qui est tordu, noueux ou déformé, ou qui n'a pas un bord droit pour le guider avec un guide d'onglet ou le long du guide de refente.** Un ouvrage déformé, tordu ou noueux est instable et cause un défaut d'alignement du trait de scie sur la lame de la scie, ce qui risque de causer un coincement de cette dernière et un choc en retour.
- i. **Ne coupez jamais plus d'un ouvrage à la fois, et n'empilez les ouvrages ni verticalement, ni horizontalement.** La lame de la scie pourrait attraper un ou plusieurs morceaux de matériau et causer un choc en retour.
- j. **Lorsque vous remettez une scie en marche dont la lame est engagée dans un ouvrage, centrez la lame de la scie sur le trait de scie de manière que les dents de la scie ne soient pas engagés dans le matériau.** Si la lame de la scie se coince, elle risque de causer un soulèvement du matériau et de causer un rebond au moment du redémarrage de la scie.
- k. **Gardez les lames de scie propres et tranchantes, et en conservez-en un nombre suffisant.** N'utilisez jamais de lames de scie déformées ou de lames de scie ayant des dents fissurées ou cassées. Des lames de scie tranchantes et correctement installées minimisent les risques de coincement, de blocage et de choc en retour. Le nettoyage de la sève ou du plastique accumulé sur les pointes et le corps de la lame réduira la surchauffe et le risque de grippage de la lame. Lorsque vous coupez des matériaux plastiques, évitez de faire fondre le plastique.
- l. **Ne relâchez pas la pression exercée sur l'ouvrage avant d'avoir poussé ce dernier complètement au-delà de la lame de la scie.** Si vous ne respectez pas cette consigne, vous risqueriez de provoquer un rebond et de subir des blessures.
- m. **Ne confinez pas la partie venant d'être coupée en cas de coupe en long ou en travers.** Le fait de confiner la pièce venant d'être coupée lors d'une opération de refente ou de coupe transversale peut provoquer un rebond et des blessures.
- n. **Remplacez ou réaffûtez les taquets anti-rebonds quand leurs pointes sont émoussées.** Des taquets anti-rebond bien affûtés réduisent le risque de rebond.
- o. **Laissez en place le dispositif de protection de la lame de scie, le couteau séparateur et les taquets anti-rebond, et vérifiez qu'ils fonctionnent tous**

CONSERVEZ CES INSTRUCTIONS

Consignes de sécurité pour les scies à table

correctement. Le couteau séparateur doit être aligné sur la lame de la scie, et les taquets anti-rebond doivent pouvoir arrêter un rebond éventuel après son déclenchement. Vérifiez leur fonctionnement avant de procéder à toute coupe longitudinale. Le bon fonctionnement de ces pièces réduit le risque de choc en retour.

4. Avertissements relatifs à la procédure d'utilisation de la scie à table

- a. **Éteignez la scie à table et débranchez le bloc-piles lorsque vous retirez l'élément amovible de la table, lorsque vous changez la lame de la scie ou lorsque vous procédez à un réglage du couteau séparateur, du dispositif de protection contre les chocs en retour ou du dispositif de protection de la lame de la scie, ainsi que quand la machine est laissée sans surveillance.** La prise de mesures de précaution évitera les accidents.
- b. **Ne laissez jamais la scie à table en marche sans surveillance. Éteignez la scie et ne vous en éloignez pas avant qu'elle se soit complètement arrêtée.** Une scie en fonctionnement sans surveillance est un danger incontrôlé.
- c. **Placez la scie à table dans un endroit bien éclairé et sur une surface plane, et assurez-vous que vous êtes dans une position solidement équilibrée quand vous l'utilisez. Elle doit être installée dans un endroit qui est assez spacieux pour vous permettre de manipuler votre ouvrage sans problème.** Les endroits exigus, mal éclairés et ayant des sols inégaux et glissants invitent les accidents.
- d. **Nettoyez fréquemment la sciure en dessous de la table de la scie et/ou videz régulièrement la pous-sière se trouvant dans le dispositif de collecte de la poussière.** La sciure accumulée est combustible et pourrait prendre feu spontanément.
- e. **La scie à table doit être sécurisée.** Une scie à table mal sécurisée risquerait de glisser ou de se renverser.
- f. **Retirez les outils, les déchets de bois, etc.** de la table avant que la scie à table ne soit mise en marche. Les distractions ou risques de coincement pourraient être dangereux.
- g. **Utilisez toujours des lames de scie avec des trous d'arbre de taille et de forme appropriées (diamantée plutôt que ronde).** Les lames de scie qui ne correspondent pas au matériel de fixation de la scie se décentreront et causeront une perte de contrôle.
- h. **N'utilisez jamais de moyens de fixation de lames de scie incorrects, comme des brides de fixation, des rondelles pour lames de scie, des boulons ou des écrous.** Ces moyens de montage ont été conçus spécialement pour votre scie, afin d'en assurer un fonctionnement sans danger et une performance optimale.
- i. **Ne montez jamais sur la scie à table, et ne l'utilisez pas comme un tabouret.** L'utilisateur s'expose à de graves blessures si l'outil est renversé ou entre accidentellement en contact avec son corps.
- j. **Assurez-vous que la lame de la scie est installée de manière à tourner dans le sens correct. N'utilisez pas de meules abrasives, de brosses métalliques ou de meuleuses sur une scie à table.** Une installation inappropriée de la lame de la scie ou l'utilisation d'accessoires non recommandés pourrait causer des blessures graves.
- k. **N'utilisez que des accessoires qui sont recommandés par le fabricant pour votre modèle d'outil.** Certains accessoires peuvent convenir à un type d'outil mais être dangereux quand ils sont utilisés avec un autre type d'outil.
- l. **Si la lame de la scie se bloque ou se coince dans l'ouvrage, éteignez la scie et éliminez la raison du blocage ou du coincement avant de redémarrer. Détachez l'ouvrage de la lame de scie et remplacez la lame si elle se coince à nouveau. Vérifiez que la lame de scie est parallèle aux fentes ou aux rainures de la table et que le couteau séparateur est correctement aligné sur la lame de la scie.** Si ceci se produit au cours d'une opération de coupe en long, vérifiez si le guide de refente est parallèle à la lame de la scie. Modifiez le réglage en suivant les instructions.
- m. **Ne retirez pas de petits fragments de matériau coupé pouvant être emprisonnés à l'intérieur du dispositif de protection de la lame pendant que la scie est en marche. Mettez l'interrupteur en position d'arrêt (« OFF ») et attendez que la lame s'immobilise.** Le retrait de ces pièces pendant que la scie est en marche peut mettre vos mains en danger ou provoquer un choc en retour.
- n. **Les coupes transversales seront plus aisées et la sécurité sera meilleure si vous montez une planche de guidage auxiliaire sur la jauge à onglets.** Voir page 108.
- o. **N'utilisez aucune lame ou aucun autre type d'outil de coupe conçu pour une vitesse de rotation inférieure à 5 500 tr/min.** L'utilisation d'une lame ou d'un autre outil de coupe d'une valeur nominale inférieure peut entraîner des blessures. N'utilisez jamais un outil de coupe d'un diamètre supérieur au diamètre maximum en fonction duquel la scie a été conçue. Pour une efficacité et une sécurité maximum lors d'opérations de coupe en

CONSERVEZ CES INSTRUCTIONS

Consignes de sécurité pour les scies à table

long, servez-vous d'une lame du diamètre maximum en fonction duquel la scie a été conçue; ainsi, le couteau séparateur sera tout près de la lame.

- p. **Assurez-vous que l'élément amovible de la table de coupe est exactement au niveau de la table ou légèrement en dessous de cette dernière sur tous les côtés**
- q. **Évitez de causer la surchauffe des pointes de la lame.**

mis à part l'arrière. N'utilisez JAMAIS la scie sans que l'élément amovible approprié ne soit en place.

L'utilisation sans un élément amovible approprié peut entraîner un choc en retour et des blessures.

Consignes de sécurité additionnelles

LA SÉCURITÉ AVANT TOUT

POUR ASSURER SA SÉCURITÉ, L'UTILISATEUR DOIT FAIRE PREUVE DE BON SENS ET DE VIGILANCE PENDANT TOUT LE TEMPS DURANT LEQUEL IL SE SERT DE LA SCIE À TABLE.

Les disjoncteurs de fuite à la terre et les dispositifs de protection personnelle comme les gants et les chaussures en caoutchouc d'électricien renforceront votre sécurité personnelle.

N'utilisez pas d'outils conçus pour le courant alternatif uniquement avec une alimentation en courant continu. Même si l'outil semble fonctionner, les composants électriques de l'outil à courant alternatif sont susceptibles de tomber en panne et de présenter un danger pour l'opérateur.

Préparez un calendrier d'entretien périodique pour votre outil. Lors du nettoyage d'un outil, veillez à ne pas démonter une partie quelconque de l'outil étant donné que des fils internes pourraient être déplacés ou pincés et que les ressorts du dispositif de protection pourraient être montés de façon incorrecte. Certains produits de nettoyage tels que l'essence, le tétrachlorure de carbone, l'ammoniac, etc. peuvent endommager les pièces en plastique.



Pendant leur fonctionnement, les outils électriques peuvent projeter des corps étrangers dans les yeux de leur utilisateur et lui infliger de graves blessures aux

yeux. Portez toujours des lunettes de sécurité répondant à la norme ANSI Z87.1 (tel qu'indiqué sur l'emballage) avant de commencer à utiliser un outil électrique.

AVERTISSEMENT Des travaux de ponçage, de sciage, de meulage et de perçage réalisés avec un outil électrique et d'autres travaux de construction peuvent produire des poussières contenant des produits chimiques qui sont des causes reconnues de cancer, de malformation congénitale ou d'autres problèmes reproductifs. Ces produits chimiques sont, par exemple :

- le plomb provenant de peinture au plomb,
- des cristaux de silice provenant des briques et du ciment, ainsi que d'autres produits de maçonnerie, et
- de l'arsenic et du chrome provenant de bois de construction traité par des produits chimiques.

Le niveau de risque causé par de telles expositions varie en fonction de la fréquence de ces types de travaux. Pour réduire l'exposition à ces produits chimiques, il est utile de travailler dans un lieu bien ventilé et de porter un équipement de sécurité approprié tel que certains masques à poussière conçus spécialement pour filtrer les particules microscopiques.

Lisez attentivement tous les avertissements figurant sur votre scie à table avant de vous en servir à chaque fois.

CONSERVEZ CES INSTRUCTIONS

Utilisation prévue

AVERTISSEMENT Utilisez cette scie à table uniquement de la manière pour laquelle elle a été conçue. Une utilisation inappropriée pourrait causer des blessures et des dommages matériels.

Cette scie à table est conçue pour les coupes longitudinales, transversales, en onglet, en biseau et non traversantes dans divers matériaux en bois et en plastique.

N'utilisez pas cette scie à table pour couper des métaux, comme l'aluminium ou le cuivre, ou des matériaux tels que de la maçonnerie ou du ciment.

N'utilisez pas de lames de scies circulaires doubles à rainer oscillantes ou réglables avec cette scie à table.


Si vous coupez du plastique, assurez-vous que la vitesse d'avance est suffisamment lente et que les pointes des lames sont suffisamment aiguisées pour éviter de faire fondre le plastique.

N'utilisez pas de fers à tête pour coupe de moulures avec cette scie à table.

N'effectuez pas de coupes coniques sans un accessoire de type gabarit conique.

Spécifications

Scie à table GTS18V-08

Tension :	18 V 
Vitesse à vide :	5 500 tr/min *
Diamètre de la lame :	Ø 210 mm (8-1/4 po)
Température ambiante autorisée	
- pendant la charge :	0 °C...+45 °C (32 °F...115 °F)
- pendant le fonctionnement :	-20 °C...+50 °C (14 °F...122 °F)
- pendant le stockage :	0 °C...50 °C (0 °F...122 °F)

* Utilisation de blocs-piles Core18V de 4,0 Ah, 8,0 Ah, 12 Ah

Blocs-piles / chargeurs






Veillez consulter la liste des chargeurs/piles accompagnant l'outil.

Capacités de coupe

Coupe de refente à droite - épingles argent :	0 mm - 508 mm (0 po - 20 po)
Coupe de refente maximale à droite - épingles noires :	127 mm - 635 mm (5 po - 25 po)
Coupe de refente maximale à gauche :	305 mm (12 po)
Profondeur de coupe à 90° :	63.5 mm (2-1/2 po)
Profondeur de coupe à 45° :	44.5 mm (1-3/4 po)
Plage de biseau définie en usine :	0° / 45°
Gamme de biseaux sans butées :	-2° / 47°
Diamètre des lames de scies circulaires doubles à rainer :	152 mm (6 po)
Largeur maximale de la pile d'outils à rainer :	12.7 mm (1/2 po)









Symboles

Important : Certains des symboles suivants peuvent être utilisés sur votre outil. Veuillez les étudier et apprendre leur signification. L'interprétation correcte de ces symboles vous aidera à mieux utiliser votre outil et à vous en servir plus efficacement et en toute sécurité.

Symbole	Désignation / Explication
V	Volts (tension)
A	Ampères (courant)
Hz	Hertz (fréquence, cycles par seconde)
W	Watts (puissance)
kg	Kilogrammes (poids)
min	Minutes (temps)
s	Secondes (temps)
CFM	Pieds cubes par minute [ou pi ³ / min] (débit d'air)
∅	Diamètre (taille des mèches, des meules, etc.)
n ₀	Vitesse à vide (vitesse de rotation à vide)
n	Vitesse nominale (vitesse maximum possible)
.../min	Révolutions ou mouvements alternatifs par minute (révolutions, coups, vitesse de surface, orbites, etc. par minute)
0	Position d'arrêt (vitesse nulle, couple nul...)
1, 2, 3, ... I, II, III,	Réglages du sélecteur (réglages de vitesse, de couple ou de position. Un chiffre plus élevé signifie une plus grande vitesse)
	Sélecteur infiniment variable avec arrêt (la vitesse augmente à partir du réglage 0)
	Flèche (action dans le sens de la flèche)
~	Courant alternatif (type ou caractéristique du courant)
≡	Courant continu (type ou caractéristique du courant)
	Courant alternatif ou continu (type ou caractéristique du courant)
	Construction de classe II (désigne des outils de construction à double isolation)
	Borne de mise à la terre (borne de mise à la masse)

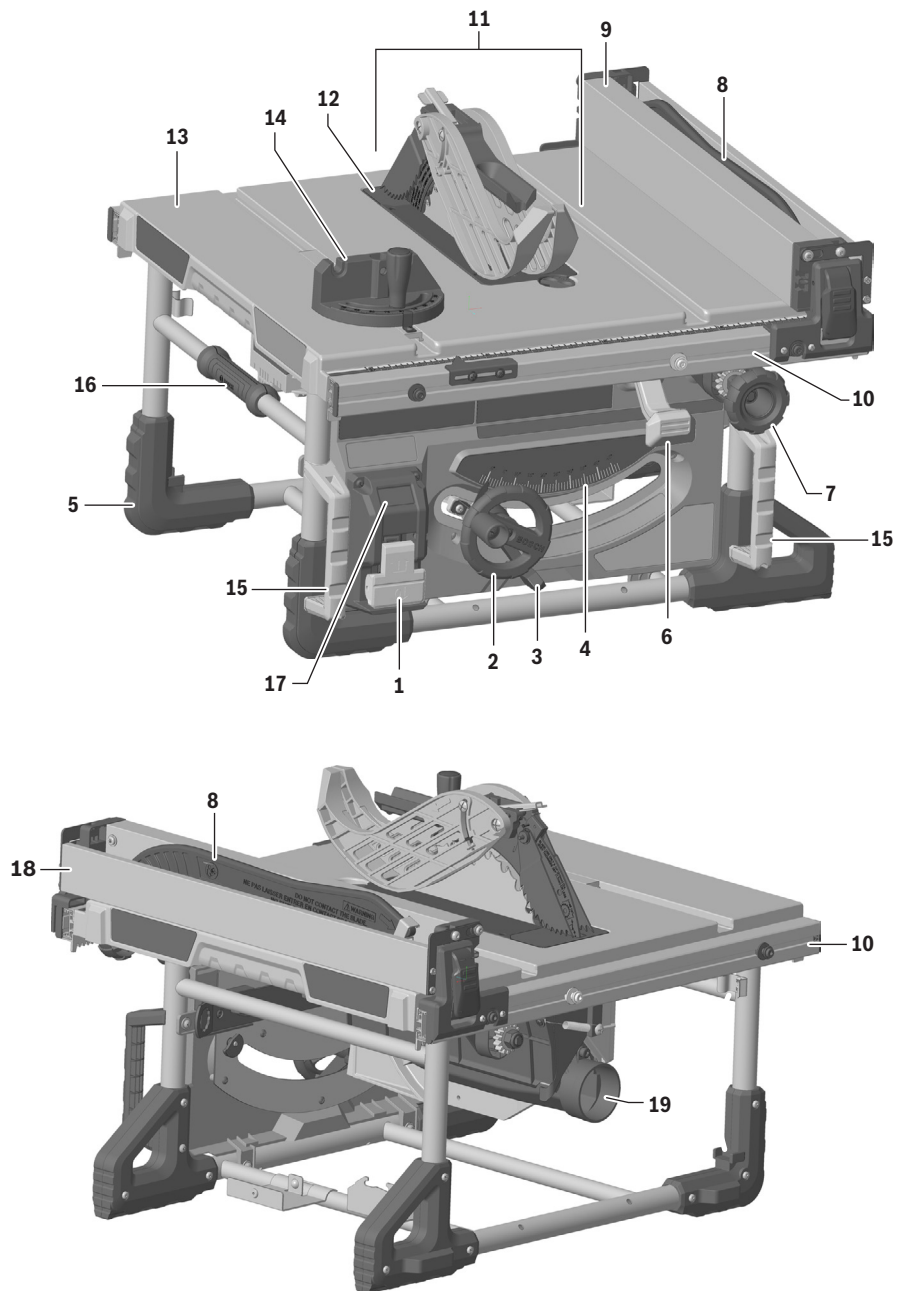
Symboles

Important : Certains des symboles suivants peuvent être utilisés sur votre outil. Veuillez les étudier et apprendre leur signification. L'interprétation correcte de ces symboles vous aidera à mieux utiliser votre outil et à vous en servir plus efficacement et en toute sécurité.

Symbole	Désignation / Explication
	Désigne un programme de recyclage des batteries Li-ion
	Alerte l'utilisateur pour qu'il lise le mode d'emploi
	Alerte l'utilisateur pour lui demander de porter un dispositif de protection des yeux.
	Ce symbole indique que ce composant est reconnu par Underwriters Laboratories.
	Ce symbole indique que ce composant est reconnu par Underwriters Laboratories, et qu'il est conforme aux normes des États-Unis et du Canada.
	Ce symbole indique que cet outil est répertorié par la Canadian Standards Association.
	Ce symbole indique que cet outil est répertorié par la Canadian Standards Association, et qu'il est conforme aux normes des États-Unis et du Canada.
	Ce symbole indique que cet outil est homologué par les services d'essais Intertek, et qu'il est conforme aux normes des États-Unis et du Canada.

Familiarisez-vous avec votre scie à table GTS18V-08

Fig. 1



Familiarisez-vous avec votre scie à table GTS18V-08

- 1 L'interrupteur d'alimentation** sert à mettre l'outil sous tension et hors tension. L'interrupteur d'alimentation incorpore un morillon de verrouillage pour permettre son emploi avec un cadenas afin de prévenir une mise en marche accidentelle.
- 2 La roue d'élévation** élève ou abaisse la lame. Utilisez la poignée de verrouillage du biseau de la lame 3 pour incliner la lame 32 de 0° à 45°.
- 3 La poignée de verrouillage du biseau de la lame** verrouille la lame à l'angle de biseau souhaité.
- 4 L'échelle de biseau de la lame** indique le degré d'inclinaison de la lame.
- 5 La bases** supporte la scie à table. Des trous dans la base permettent de fixer la scie à un établi ou à un support.
- 6 Le levier de verrouillage du rail** vous permet de verrouiller le guide de coupe de refente 9 à la distance souhaitée par rapport à la lame.
- 7 Le bouton de réglage du rail** est utilisé pour régler la position du guide de coupe de refente 9.
- 8 Le bâton poussoir** est un dispositif utilisé pour faire avancer la pièce à travers la scie lors d'une opération de type refente étroite. Il permet de maintenir les mains de l'opérateur à une distance suffisante de la lame.
- 9 Le guide de refente** se fixe aux rails 10 à l'aide des loquets de verrouillage, et il guide l'ouvrage parallèlement à la lame.
- 10 Les rails** fournissent des points de fixation pour le guide de refente 9 à l'avant et à l'arrière de la scie.
- 11 Le système Smart Guard** se compose d'un couteau séparateur réglable à trois positions, d'un dispositif de protection contre les chocs en retour et d'un ensemble de barrière de protection. Tous ces éléments font partie d'un système modulaire qui ne nécessite aucun outil pour le montage ou le démontage. Le système Smart Guard doit toujours être en place et fonctionner correctement pour toutes les coupes de bout en bout.
- 12 L'élément amovible de table** fournit un support pour la pièce à travailler près de la lame. Il peut être retiré pour enlever ou installer la lame ou d'autres outils de coupe et pour régler ou ranger le couteau séparateur.
- 13 La table** fournit une grande surface de travail comme support pour un ouvrage.
- 14 La tête de la jauge à onglets** peut être verrouillée à l'angle désiré pour des coupes transversales ou un assemblage en onglet en serrant le bouton de verrouillage de la jauge. **VERROUILLEZ TOUJOURS LA JAUGE À ONGLETS DE FAÇON SÉCURISÉE AVANT DE VOUS EN SERVIR.**
- 15 Les poignées de réglage** peuvent être utilisées pour aider à positionner la scie. Elles ne sont pas destinées à être utilisées comme poignées de transport.
- 16 La poignée de transport d'une seule main** sert à transporter la scie.
- 17 La jauge de carburant** indique le niveau de charge approximatif restant dans le bloc-piles.
- 18 Le guide à bascule** est fixé au guide de refente 9. Le guide à bascule, dans sa position du bas, permet de soutenir le matériau et, dans sa position du haut, permet de soutenir des pièces de 3,2 à 20 mm (1/8 à 3/4 po).
- 19 Le crochet pour l'orifice de dépoussiérage/d'aspiration** vous permet d'attacher n'importe quel tuyau d'aspiration de 2-1/4 po à l'orifice de dépoussiérage pour permettre une évacuation pratique de la sciure. Un adaptateur est disponible en cas de besoin d'utilisation avec des tuyaux de tailles différentes.

Glossaire

À main levée : La réalisation d'une coupe sans guide longitudinal, guide d'onglet, système de fixation ou de retenue, ou autre dispositif visant à empêcher l'ouvrage de se tordre pendant la coupe pour qu'il ne présente pas de danger.

Arbre : La tige sur laquelle un outil de coupe est monté.

Barrière de protection : Un ensemble consistant en la fourche de montage et deux barrières latérales. Cet ensemble est conçu pour créer une barrière physique entre l'opérateur et la lame de scie en rotation.

Bâton poussoir : Un accessoire servant à faire avancer l'ouvrage contre la lame de la scie lors d'opérations de coupe en long de pièces étroites de façon à ce que les mains de l'utilisateur demeurent à bonne distance de la lame. Servez-vous du bâton poussoir lorsque la largeur de la pièce à refendre se situe entre 5 cm et 15 cm / entre 2 po et 6 po.

Biseau : Angle de la lame par rapport à la surface de la table.

Bloc poussoir : Un accessoire utilisé lors d'opérations de coupe de refente de pièces trop étroites pour que l'on puisse utiliser un bâton poussoir. Servez-vous d'un plateau poussoir lorsque la largeur de la pièce à refendre est inférieure à 5 centimètres.

Bord d'attaque : L'extrémité de l'ouvrage qui, pendant une opération de coupe de refente, est poussée en premier vers l'outil de coupe.

Coupe de bout en bout : Toute opération de coupe lors de laquelle la lame coupe toute l'épaisseur de l'ouvrage.

Coupe de refente : Une coupe pratiquée dans le sens de la longueur de l'ouvrage et à la largeur voulue.

Coupe partielle : Toute opération de coupe lors de laquelle la lame ne traverse pas complètement l'ouvrage (p. ex., rainure, feuillure).

Coupe transversale : Une opération de coupe ou de mise en forme effectuée dans le sens de la largeur de l'ouvrage afin de couper l'ouvrage à la longueur voulue.

Couteau diviseur ou séparateur : Un dispositif qui maintient le trait de scie ouvert pendant la coupe du matériau de l'ouvrage. Ceci réduit le risque de voir l'ouvrage se coincer contre la lame de la scie.

Déviation : Un défaut d'alignement de la lame qui a pour effet que le côté de fuite, ou de sortie, de la lame entre en contact avec la surface coupée de l'ouvrage. Cette déviation peut entraîner des rebonds ou le blocage de la machine, faire travailler le moteur à un régime trop élevé, provoquer un échauffement excessif de l'ouvrage ou faire que l'ouvrage se fende. D'une manière générale, une déviation de la lame empêche de réaliser des coupes propres et peut donner lieu à des situations dangereuses.

Dispositif de protection contre les chocs en retour (également appelé taquet ou cliquet de protection contre les chocs en retour) : Cliquets de protection à ressort qui engagent l'ouvrage alors qu'il avance contre la scie. Ils restreignent le mouvement de l'ouvrage et servent à empêcher que l'ouvrage ne soit projeté en direction de l'utilisateur.

Effet de rebond/choc en retour : La saisie incontrôlée et la projection de l'ouvrage vers le devant de la scie pendant une opération de coupe de refente.

Feuillure : Une encoche dans le bord d'un ouvrage. On l'appelle parfois une rainure de bord.

Gomme : Un dépôt glutineux provenant de la sève des produits à base de bois. Une fois durci, ce dépôt est généralement appelé « Résine ».

Moulure : Une coupe partielle d'une forme spéciale dans un ouvrage servant à l'assemblage ou à la décoration.

Ouvrage : Pièce sur laquelle l'opération de coupe est effectuée. Les différentes surfaces d'un ouvrage sont communément appelées faces, extrémités et bords.À

Parallèle : La position du guide de refente égale en distance à chaque point du côté latéral de la lame de la scie.

Perpendiculaire : L'intersection à 90° (angle droit) ou la position des plans vertical et horizontal telle que la position de la lame de la scie est verticale par rapport à la surface de la table (horizontale).

Planche à languettes : Un dispositif qui peut aider à guider l'ouvrage pendant une opération de coupe de refente en maintenant l'ouvrage en contact avec le guide de refente. Il aide également à prévenir les chocs en retour.

Rainurage : Une coupe partielle produisant une entaille ou gorge de section carrée dans l'ouvrage.

Retour en arrière : Se produit lorsqu'une petite pièce coupée est attrapée par l'arrière de la lame et projetée en direction de l'opérateur.

Smart Guard : Un système comprenant trois éléments : Couteau séparateur / diviseur, taquets anti-rebond et barrière de protection principale.

Tours/minute (tr/min) : Le nombre de tours accomplis par un objet en rotation pendant une minute.

Trait de scie : L'espace dans l'ouvrage où du matériau a été retiré par l'action de la lame.

Déballage et inspection du contenu

Déballage de la scie à table

(Fig. 2, Fig. 3, Fig. 4)

AVERTISSEMENT Pour ne pas risquer de blessures pouvant résulter d'une mise en marche accidentelle ou un choc électrique pendant le déballage et l'assemblage, n'insérez pas le bloc-piles.

AVERTISSEMENT Si des pièces sont manquantes, ne tentez pas d'assembler la scie à table, d'insérer le bloc-piles ou de mettre l'interrupteur d'alimentation en marche avant d'avoir obtenu toutes les pièces manquantes et de les avoir installées correctement.

Votre scie à table est expédiée au complet dans un seul carton.

Séparez toutes les pièces des matériaux d'emballage, et inspectez chacune d'entre elles en faisant référence à l'illustration et à la liste des pièces détachées afin de vous assurer tous les composants sont présents avant de jeter de quelconques matériaux d'emballage.

Pièces détachées (Fig. 2)		
Article	Description	Qté
A	Ensemble de scie à table	1
B	Ensemble de barrière de protection	1
C	Dispositif de protection contre les chocs en retour	1
D	Jauge à onglets	1
E	Élément amovible de la table	1
Pièces rangées sur la scie (Fig. 3)		
F	Guide de refente	1
G	Clé hexagonale	1
H	Baguette poussoir	1
I	Clé à lame	1
Articles à retirer (Fig. 4)		
J	le bloc de mousse de polystyrène	1

REMARQUE : Inclinez la scie vers le haut pour accéder au dessous de la scie et retirez le bloc de mousse de polystyrène J (qui a été inclus pour l'expédition uniquement) qui se trouve entre le dessous de la table 13 et le moteur 20. Si le bloc de mousse de polystyrène n'est pas retiré, vous risquez d'endommager le système d'élévation de la lame en essayant de la lever.

Fig. 2

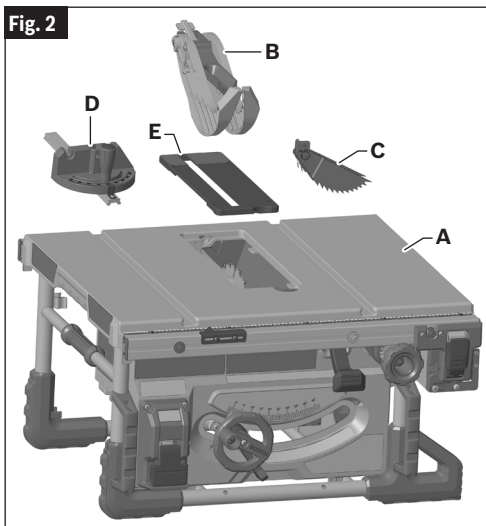


Fig. 3

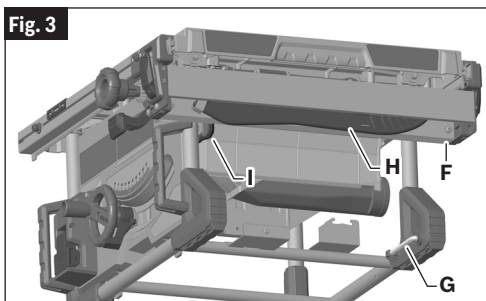
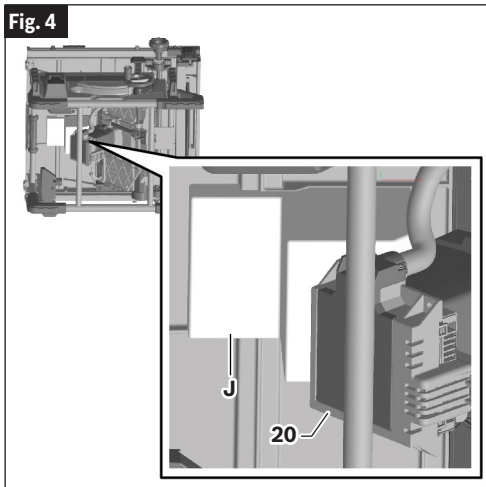


Fig. 4



Outils nécessaires pour l'assemblage

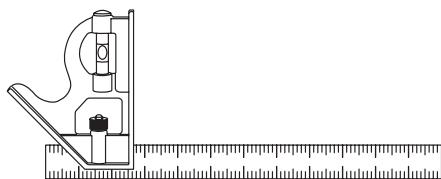
Fig. 5



Tournevis plat



Tournevis à pointe cruciforme



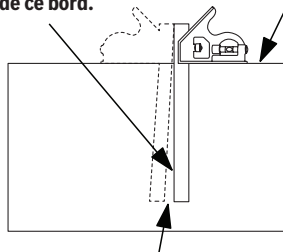
Équerre combinée

Fig. 6

L'équerre combinée doit être exacte.

Bord droit de la planche de 19 mm / 3/4 po d'épaisseur. Ce bord doit être parfaitement droit.

Tracez un trait fin sur la planche le long de ce bord.



Il ne doit y avoir ni jeu, ni chevauchement lorsque l'équerre est renversée dans la position pointillée.

Assemblage

AVERTISSEMENT Pour éviter tout risque de blessure, débranchez toujours le bloc-piles avant d'effectuer tout assemblage, réglage ou réparation.

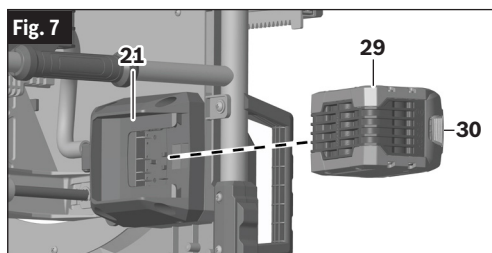
Insertion et retrait du bloc-piles

(Fig. 7)

Faites glisser le bloc-piles chargé **29** dans la baie de charge du bloc-piles **21** jusqu'à ce que le bloc-piles **29** se verrouille en place.

Votre outil est muni d'un mécanisme de verrouillage secondaire pour empêcher le bloc-piles **29** de tomber complètement de la baie de charge **21** au cas il s'en détacherait en conséquence des vibrations.

Pour déconnecter le bloc-piles **29**, appuyez sur le bouton d'éjection du bloc-piles **30** et faites glisser le bloc-piles **29** complètement en dehors du compartiment des piles **21**.

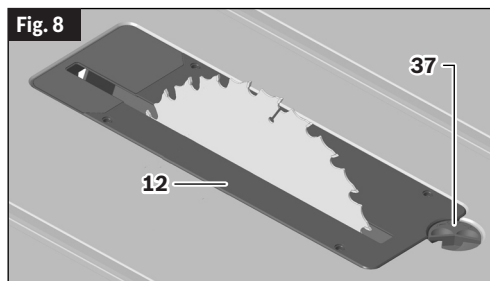


Retrait et installation de l'élément amovible de la table

Retrait de l'élément amovible de la table

(Fig. 8)

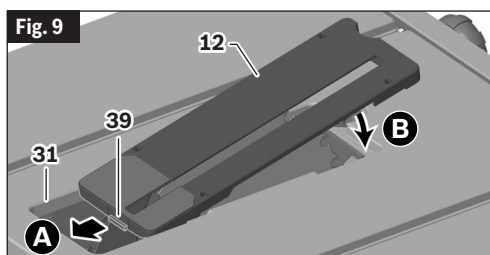
1. Tournez le verrou de l'élément amovible de la table **37** dans le sens des aiguilles d'une montre.
2. Soulevez l'élément amovible de la table **12** par le bord avant, et dégagez-le en l'élevant pour le détacher de la table.



Installation de l'élément amovible de la table

(Fig. 8, Fig. 9)

1. Placez l'onglet **39** de l'élément amovible de la table dans la poche **A** et placez l'élément amovible de la table **12** vers le bas **B**.
2. Assurez-vous que l'élément amovible de la table **12** est correctement installé et fixez-le en place à l'aide du verrou de l'élément amovible de la table **37**.



Assemblage

Fixation du système Smart Guard

⚠ AVERTISSEMENT Pour éviter tout risque de blessure, déconnectez toujours le bloc-piles avant d'attacher ou de détacher le système Smart Guard.

Positionnement du couteau séparateur

(Fig. 1, Fig. 10, Fig. 11, Fig. 12)

⚠ AVERTISSEMENT Sécurisez complètement le couteau séparateur avant de vous servir de la scie à table. Un couteau séparateur mal assujéti pourrait glisser vers la lame et être projeté vers vous.

1. Retirez l'élément amovible de la table **12**. Voir la rubrique « Retrait et installation de l'élément amovible de la table » à la page 80.
2. Élevez la lame **32** aussi haut qu'elle ira en faisant tourner la roulette d'élévation **2** dans le sens des aiguilles d'une montre et installez la lame **32** perpendiculairement à la table **13** (0° sur l'échelle graduée des biseaux **4**).
3. Déverrouillez le levier de relâchement du couteau séparateur **41** en le faisant tourner dans le sens des aiguilles d'une montre de façon qu'il soit orienté vers le haut **A**.

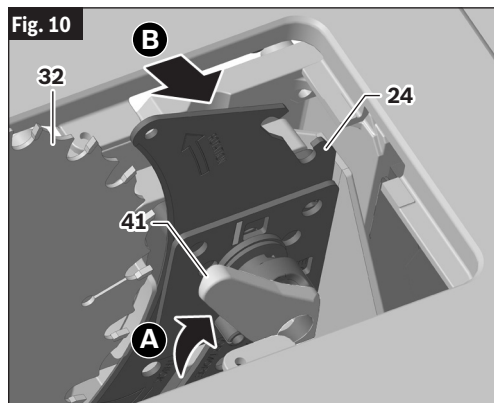
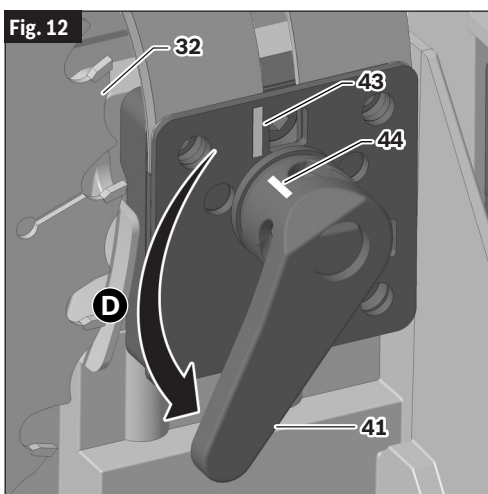
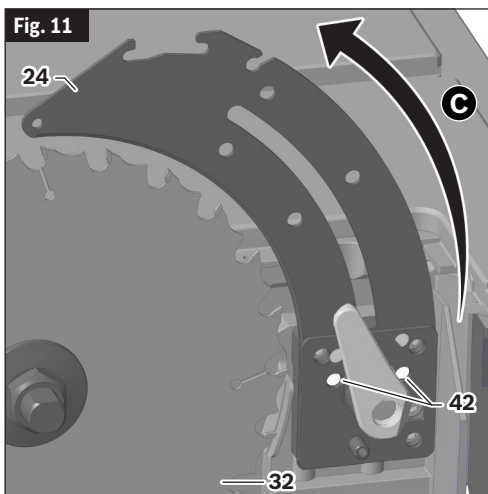
4. Tirez le couteau séparateur **24** towards the release lever to disengage it from the pins vers le levier de relâchement afin de le libérer des chevilles **B**.

REMARQUE : Il y a une légère force de ressort qui doit être surmontée pour libérer le couteau séparateur **24**.

5. Faites glisser le couteau séparateur **24** jusqu'à sa position la plus élevée **C** de façon à ce qu'il soit directement au-dessus du centre de la lame **32**.
6. Alignez les trous du couteau séparateur **24** sur les goupilles **42** du couteau séparateur et assurez-vous que les goupilles **42** s'engagent dans les trous du couteau sépa-

rateur **24**. Verrouillez le levier de libération du couteau séparateur **41** en le faisant tourner dans le sens inverse des aiguilles d'une montre **D**. Poussez fermement le levier de libération **41** pour sécuriser le couteau séparateur **24**, puis poussez/tirez le couteau séparateur **24** pour vérifier qu'il est verrouillé en place. La ligne d'indication sur la pince de fixation du couteau séparateur **43** et la ligne d'indication sur le levier de libération du couteau séparateur **44** doivent être alignées.

7. Vérifiez l'alignement du couteau séparateur **24** sur la lame **32**. Voir la section « Alignement du couteau séparateur » à la page 99. Si le couteau séparateur **24** est pas aligné sur la lame **32**, recommencez le processus de positionnement du couteau séparateur **24** et assurez-



Assemblage

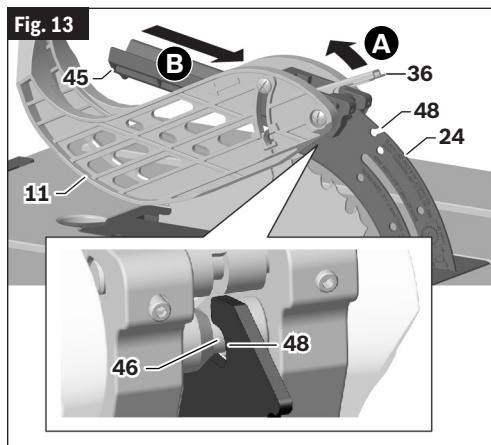
vous que les broches **42** sont totalement engagées dans les trous du couteau séparateur.

- Remettez l'élément amovible de la table à sa place, et verrouillez-le. Voir la rubrique « Installation de l'élément amovible de la table » à la page 80.

Fixation de l'ensemble de barrière de protection

(Fig. 13, Fig. 14)

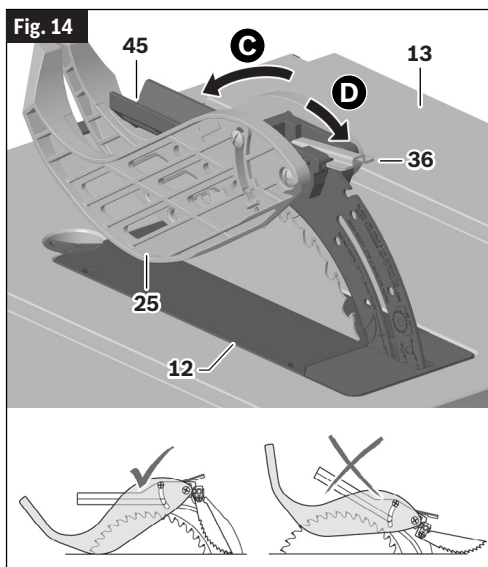
- Tenez d'une main la partie avant de l'ensemble de barrière de protection **11** par la fourche **45**. De l'autre main, tenez le levier de relâchement de la barrière de protection **36** en haut **A**.
- Abaissez l'arrière de l'ensemble de barrière de protection **25**, et glissez sa barre transversale **46** dans l'encoche **48** à l'extrémité du couteau séparateur **24** **B**.
- Abaissez l'avant de l'ensemble de barrière de protection **25** jusqu'à ce que la fourche **45** soit parallèle à la table **13** **C**.
- Appuyez sur le levier de déverrouillage de la barrière **36** jusqu'à ce que vous sentiez et entendiez qu'il s'enclenche en position de verrouillage **D**. Vérifiez que l'ensemble de barrière de protection **25** est bien connecté.



Fixation du dispositif de protection contre les chocs en retour

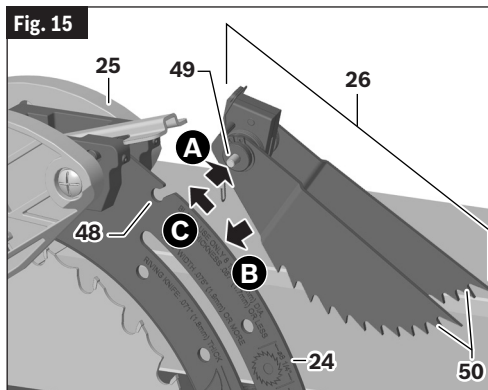
(Fig. 15)

- Serrez la goupille de compression du dispositif de protection contre les chocs en retour **49** **A** et positionnez le dispositif de protection contre les chocs en retour **26** sur le bord supérieur du couteau séparateur **24**, sous l'encoche **48** **B**.



- Faites glisser le dispositif de protection contre les chocs en retour **26** le long du bord supérieur du couteau séparateur **24** jusqu'à ce qu'il tombe dans l'encoche **48** **C**.
- Relâchez la languette de compression **49** de manière à ce que le dispositif de protection contre les chocs en retour **26** se verrouille dans le couteau séparateur **24** juste derrière l'ensemble de barrière de protection **25**.
- Vérifiez que la goupille de compression **49** est bien connectée à l'encoche **48** en soulevant et en abaissant avec précaution les taquets **50**. Lorsque vous lâchez les taquets **50**, ils doivent descendre et entrer en contact avec l'élément amovible de la table **12**.

REMARQUE : Le dispositif de protection contre les chocs en retour **26** est indépendant de l'ensemble de barrière de protection **25**, de sorte que le dispositif de protection contre les chocs en retour **26** peut être fixé avant l'ensemble de barrière de protection **25**.



Sélection et remplacement de la lame

⚠ AVERTISSEMENT Pour éviter tout risque de blessure, débranchez le bloc-piles avant de changer les lames.

Utilisation de la lame correcte

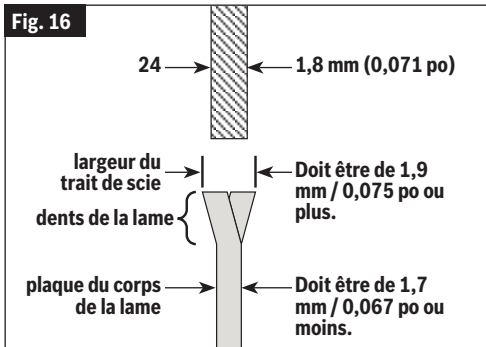
(Fig. 16)

IMPORTANT : La lame de scie fournie sur cet outil a une largeur de trait de scie avec les pointes au carbure de 1,9 mm / 0,075 po et une épaisseur du corps de la lame de 1,7 mm / 0,067 po. Lorsque vous aurez besoin de remplacer une lame, sélectionnez-en une dont les dimensions sont proches de celles de la lame d'origine. Cette information n'est peut-être pas imprimée sur l'emballage des lames. Si elle ne l'est pas, consultez le catalogue ou le site Web du fabricant. Bosch offre une gamme étendue de lames de scie professionnelle de qualité supérieure qui sont compatibles avec cet outil. Vous devez choisir une lame avec un trait de scie d'une largeur de 1,9 mm / 0,075 po ou plus et une épaisseur du corps de la lame de 1,7 mm / 0,067 po ou moins.

⚠ AVERTISSEMENT N'utilisez pas de lames de scie à trait de scie extra-fin pour réduire le risque de blessure. Le trait de scie produit par la lame doit avoir une largeur de plus de 1,9 mm / 0,075 po. Des lames de scie dont le trait de scie est extra fin (moins de 1,9 mm / 0,075 po) peuvent avoir pour effet que l'ouvrage se coince contre le couteau séparateur pendant la coupe. Il est recommandé que le trait de scie de la lame de remplacement utilisée sur cette scie soit de 1,9 mm / 0,075 po ou plus.

⚠ AVERTISSEMENT Pour réduire le risque de blessure, n'utilisez pas de lames de scie fabriquées avec une plaque de corps épaisse. Si l'épaisseur de la plaque du corps de la lame de scie de remplacement est supérieure à 1,7 mm / 0,067 po, le couteau séparateur n'aidera pas réellement à réduire les risques de choc en retour. L'épaisseur de la plaque du corps de la lame de remplacement doit être inférieure ou égale à 1,7 mm / 0,067 po.

⚠ AVERTISSEMENT Pour réduire le risque de blessure, n'utilisez pas d'« amortisseurs », de « stabilisateurs » ou de « collets de raidissement » des deux côtés d'une lame de remplacement. Il s'agit de plaques en métal positionnées contre les côtés de la lame afin de réduire la déflexion qui peut survenir quand on utilise des lames de scie fines. L'utilisation de tels dispositifs des deux côtés rendrait impossible un alignement correct de la lame sur le couteau séparateur, ce qui pourrait faire coincer l'ouvrage pendant la coupe. Une plaque « stabilisatrice » peut être placée seulement contre l'extérieur d'une lame de remplacement fine. Ces plaques ne sont pas requises avec la lame Bosch fournie.



Changement de la lame

(Fig. 1, Fig. 17, Fig. 18, Fig. 19)

⚠ MISE EN GARDE Portez toujours des gants lorsque vous changez ou manipulez des lames. Les pointes des lames risquent de causer des blessures.

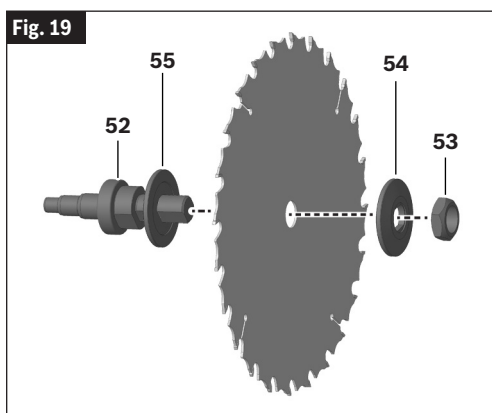
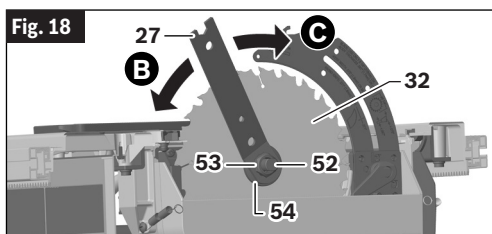
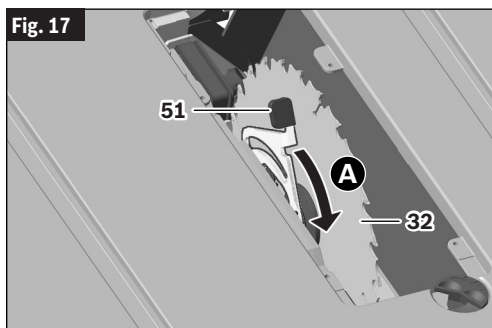
1. Tournez le volant d'élévation **2** dans le sens des aiguilles d'une montre afin d'élever la lame **32** au maximum.
2. Retirez l'élément amovible de la table **12**. Voir la rubrique « Retrait de l'élément amovible de la table » à la page 80.
3. Faites glisser le levier de verrouillage de l'arbre **51** vers le haut et faites tourner lentement la lame **32** à la main jusqu'à ce que le mécanisme de verrouillage soit totalement engagé avec l'arbre de la scie **52** et arrête la rotation.
4. Desserrez l'écrou de fixation de l'arbre **53** dans le sens inverse des aiguilles d'une montre **B** avec la clé à lame **27** fournie.
5. Mettez de côté la clé à lame **27**, continuez à desserrer l'écrou de fixation de l'arbre **53** à la main, puis retirez l'écrou de fixation de l'arbre **53** et la rondelle extérieure **54**. La lame **32** peut maintenant être retirée en la faisant glisser depuis l'arbre **52**, en laissant la rondelle intérieure **55** sur l'arbre **52**.
6. Installez la nouvelle lame **32** sur l'arbre **52**, EN VEILLANT À CE QUE LES DENTS DE LA LAME **32** SOIENT DIRIGÉES VERS LE BAS, VERS L'AVANT DE LA TABLE **13**.

REMARQUE : L'impression n'est pas toujours sur le même côté des lames de scie.

7. Installez la rondelle extérieure **54** et l'écrou de fixation de l'arbre **53**.
8. Soulevez le levier de verrouillage de l'arbre **51** et serrez fermement l'écrou de fixation de l'arbre **53** dans le sens des aiguilles d'une montre **C** avec la clé à lame **27**.

Assemblage

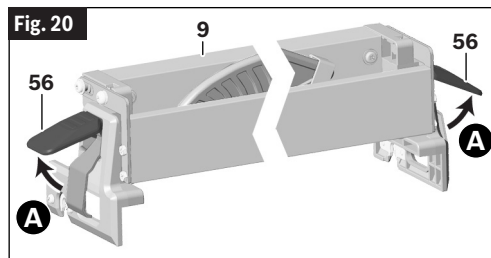
9. Réinstallez et sécurisez l'élément amovible de la table 12. Voir la rubrique intitulée « Installation de l'élément amovible de la table » à la page 80.



Fixation du guide de refente

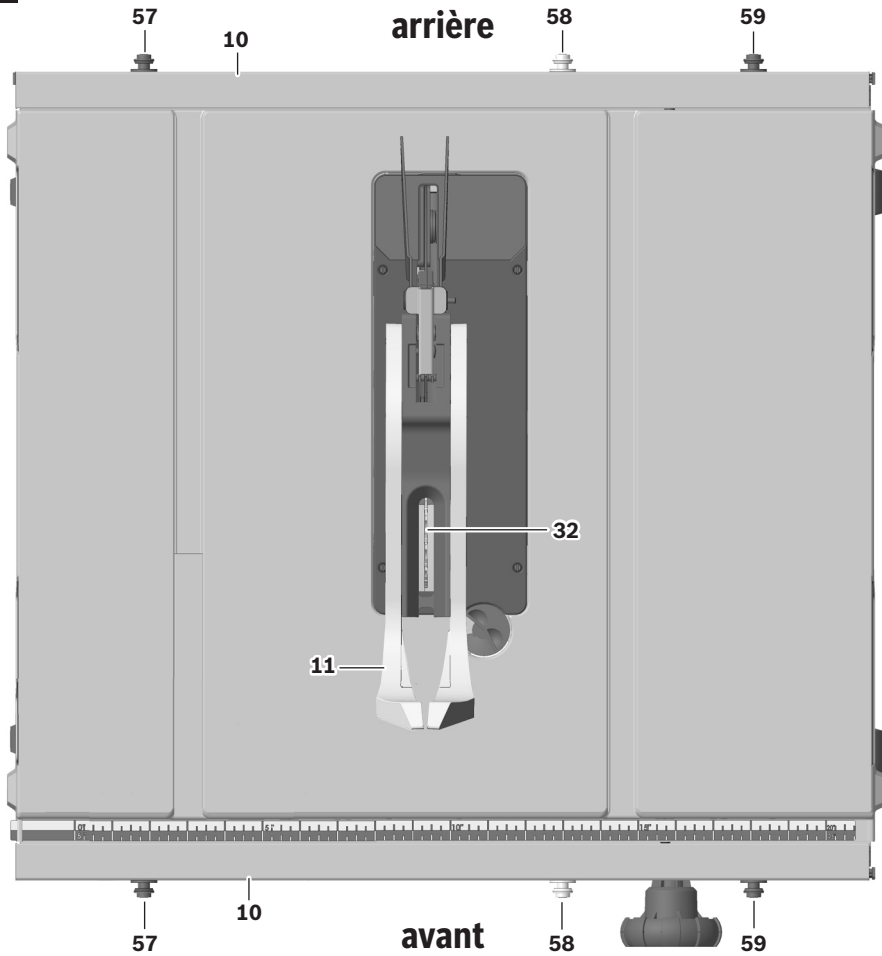
(Fig. 20, Fig. 21, Fig. 22, Fig. 23, Fig. 24, Fig. 25)

1. Assurez-vous que le levier de verrouillage des rails 6 est enfoncé en position verrouillée.
 2. Soulever les leviers de verrouillage du guide de refente 56 aux deux extrémités du guide de refente 9 de façon à ce qu'ils soient en position déverrouillée **A**.
 3. Orientez le guide de refente 9 sur l'une des trois paires de goupilles d'indexation du guide de refente, 57, 58, ou 59, de façon à ce que le guide de refente basculant 18, dans sa position de rangement, soit dans le sens contraire à celui de la lame 32 et du système Smart Guard 11.
- REMARQUE :** Pour savoir comment mettre le guide de refente basculant 18 dans sa position de rangement, voir la rubrique intitulée « Stockage du guide de refente » à la page 88.
4. Abaissez le guide de refente 9 sur les rails 10 de façon à ce que les encoches du support du guide de refente 60 soient alignées sur la paire de goupilles d'indexation du guide de refente que vous avez sélectionnée, 57, 58, ou 59, et abaissez le guide de refente 9 sur la paire de goupilles d'indexation **B**.
 5. Verrouillez les leviers de verrouillage du guide de refente 56 aux deux extrémités du guide de refente 9 **C**.



Assemblage

Fig. 21



Assemblage

Fig. 22

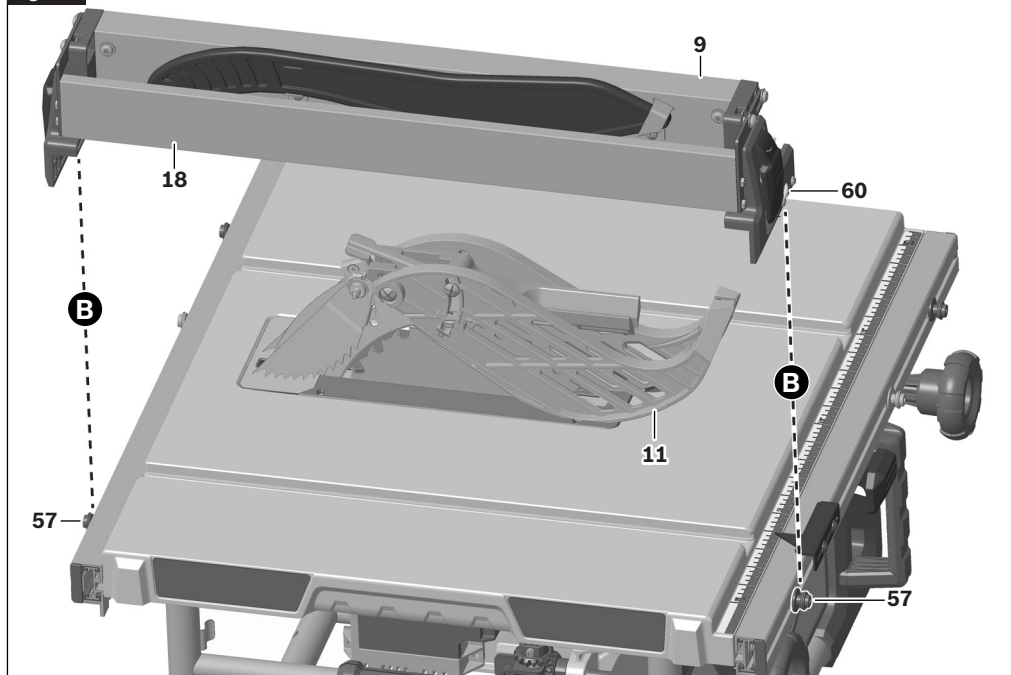
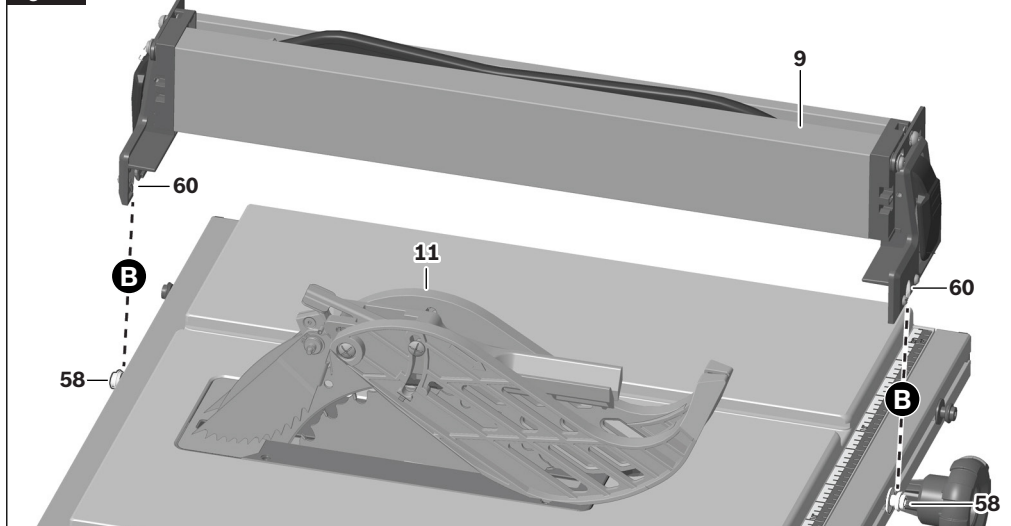


Fig. 23



Assemblage

Fig. 24

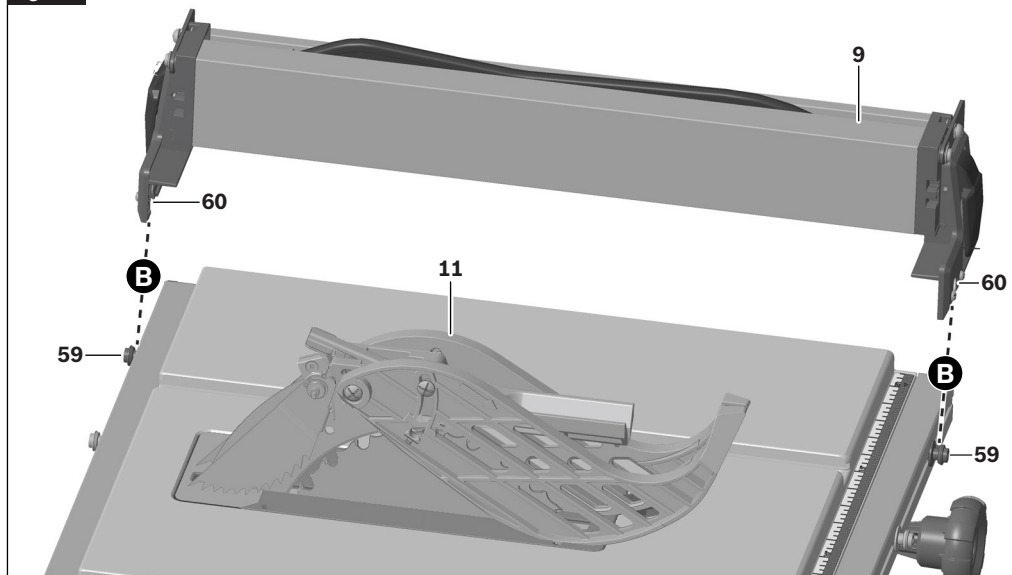
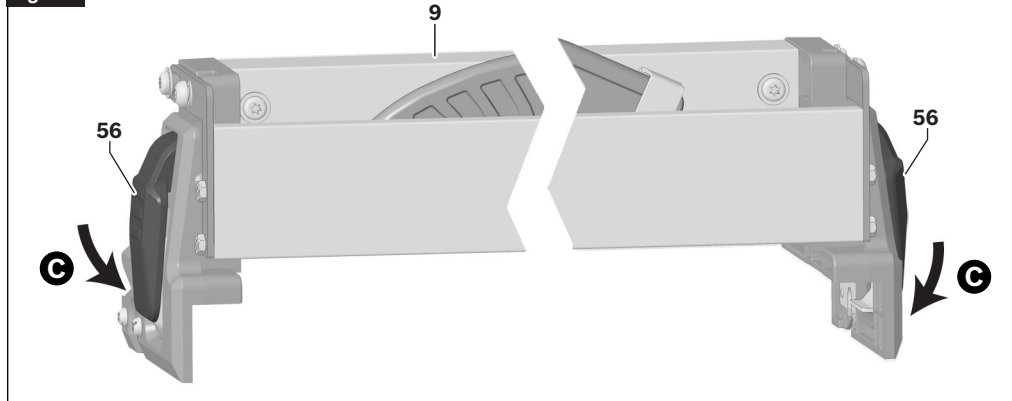


Fig. 25



Rangement, transport et montage

AVERTISSEMENT Pour éviter tout risque de blessure, débranchez toujours le bloc-piles avant d'effectuer tout assemblage, réglage ou réparation.

Rangement du guide d'onglet

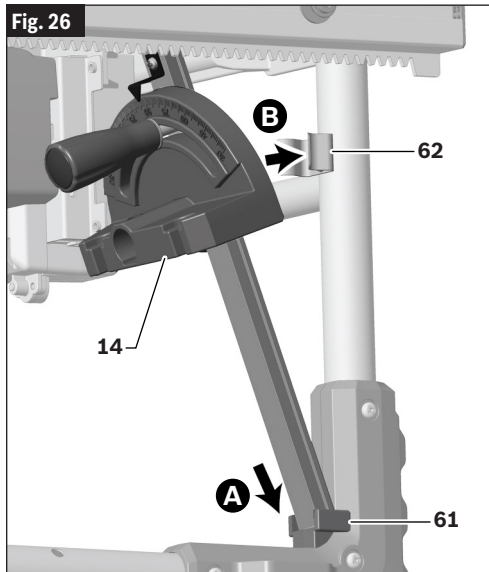
(Fig. 26)

Lorsqu'il n'est pas utilisé, rangez la jauge à onglets sous le côté arrière gauche de la table.

1. Insérez l'extrémité avant de la jauge à onglets **14** dans la fente de rangement de la jauge à onglets **61** située sur le pied arrière gauche de la scie **A**.
2. Insérez l'extrusion de la jauge à onglets dans la pince de rangement de la jauge à onglets **62 B**.

Pour retirer la jauge à onglets **14** de son emplacement de rangement, inversez les étapes ci-dessus.

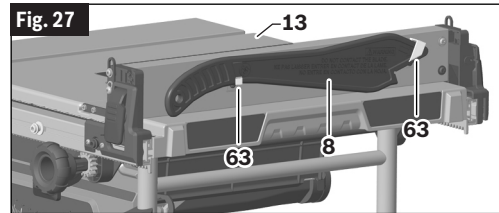
REMARQUE : La pince de rangement de la jauge à onglets **62** peut être rigide et nécessiter un effort supplémentaire pour mettre en place ou retirer complètement l'extrusion de la jauge à onglets. Si nécessaire, la barre de la jauge à onglets **14** peut être insérée ou retirée d'un côté à la fois pour réduire l'effort requis.



Rangement du bâton poussoir

(Fig. 27)

Lorsqu'il n'est pas utilisé, rangez le bâton poussoir **8** dans les pinces du bâton poussoir **63** sur le guide de refente **9**.



Stockage du guide de refente

(Fig. 28, Fig. 29, Fig. 30)

Quand il n'est pas utilisé, rangez le guide de refente **18** sous l'extrémité droite de la table sur les rails **10**.

1. Assurez-vous que le guide de refente basculant **18** est dans sa position de rangement **A**.
2. Déverrouillez les deux leviers de verrouillage du guide de refente **56**.
3. Retirez le guide de refente **9** de sa position d'utilisation sur les rails **10**. Pour plus d'informations, voir la rubrique intitulée « Fixation du guide de refente » à la page 84.
4. Déverrouillez les rails **10** et étendez-les d'environ 5 cm / 2 po vers la droite de la table **13**.
5. Sur le côté droit de la scie, tenez le guide de refente **9** sens dessus dessous sous les rails **10**. Assurez-vous que le guide de refente basculant **18** est orienté vers l'extérieur de la scie.
6. Placez le guide de refente **9** sur les goupilles d'indexation noires avant et arrière du guide de refente **59**. Continuez à soutenir le guide de refente **9**.
7. Verrouillez les deux leviers de verrouillage du guide de refente **56**.
8. Faites glisser le guide de refente **9** jusqu'à ce qu'il soit aligné sur le bord de la table **13**. Puis engagez le levier de verrouillage du rail **6**.

Rangement, transport et montage

Fig. 28

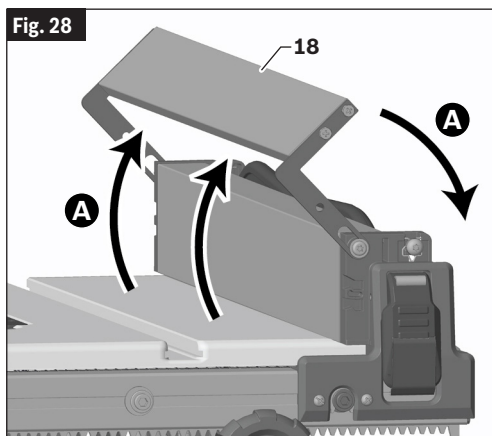


Fig. 29

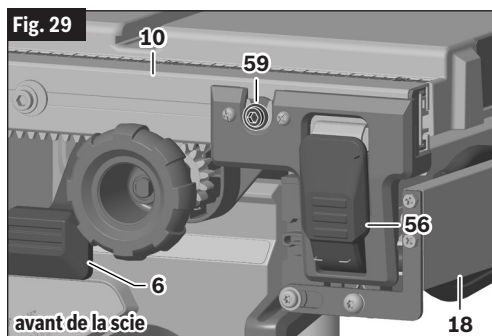
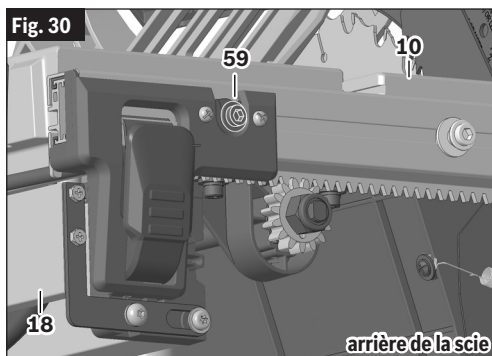


Fig. 30



Stockage du système Smart Guard

⚠ AVERTISSEMENT L'utilisation de tous les composants du système Smart Guard, y compris l'ensemble de barrière de sécurité, le dispositif de protection contre les chocs en retour et le couteau séparateur, est vivement recommandée afin de fournir une protection contre les risques d'accidents et de blessures.

Rangement de l'ensemble de barrière de protection

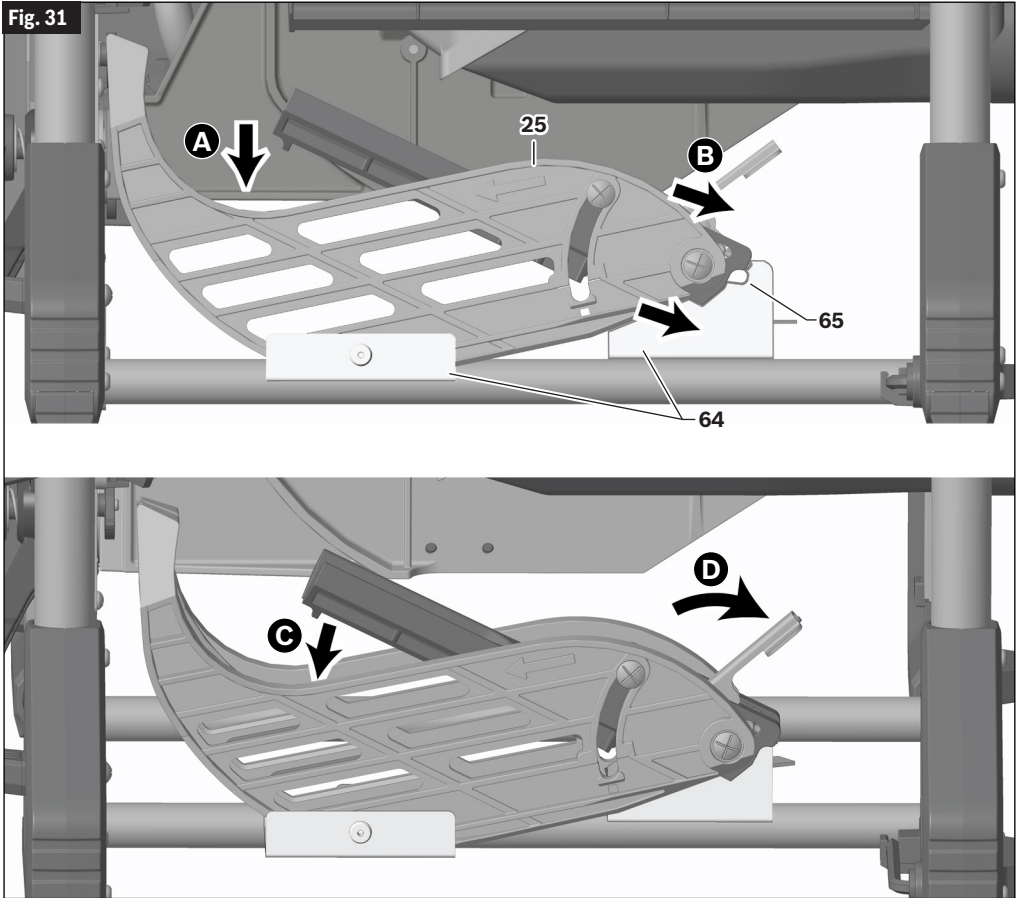
(Fig. 31)

Lorsqu'il n'est pas utilisé, rangez l'ensemble de barrière de protection **25** sous le côté droit de la table **13**.

Verrouillez l'ensemble de barrière de protection **25** en place dans la position de rangement de l'ensemble de barrière de protection **64** de la même manière que vous l'attacherez au couteau séparateur **24**, mais dans l'encoche **65** **A B C D** de la position de rangement de l'ensemble de barrière de protection. (Voir la rubrique intitulée « Fixation de l'ensemble de barrière de protection » à la page 82.)

Rangement, transport et montage

Fig. 31



Rangement, transport et montage

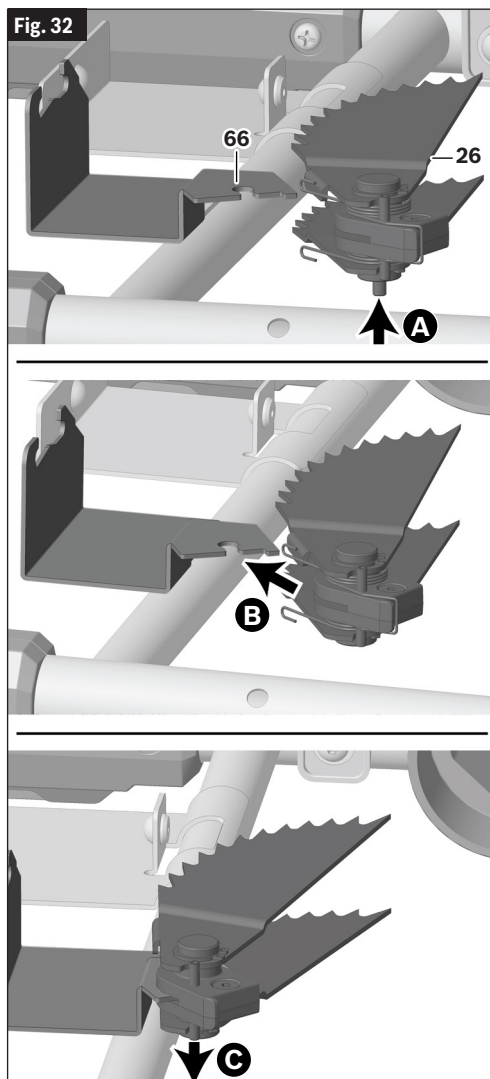
Rangement du dispositif de protection contre les chocs en retour

(Fig. 32)

Lorsqu'il n'est pas utilisé, rangez le dispositif de protection contre les chocs en retour **26** sous le côté droit de la table **13**.

Attachez le dispositif de protection contre les chocs en retour **26** au support de suspension du dispositif de protection contre les chocs en retour **66** de la même manière qu'il s'attache au couteau séparateur **24** **A** **B** **C**. (Voir la rubrique intitulée « Fixation du dispositif de protection contre les chocs en retour » à la page 82).

Assurez-vous que le dispositif de protection contre les chocs en retour **26** est solidement attaché au support de suspension du dispositif de protection contre les chocs en retour **66**.



Rangement, transport et montage

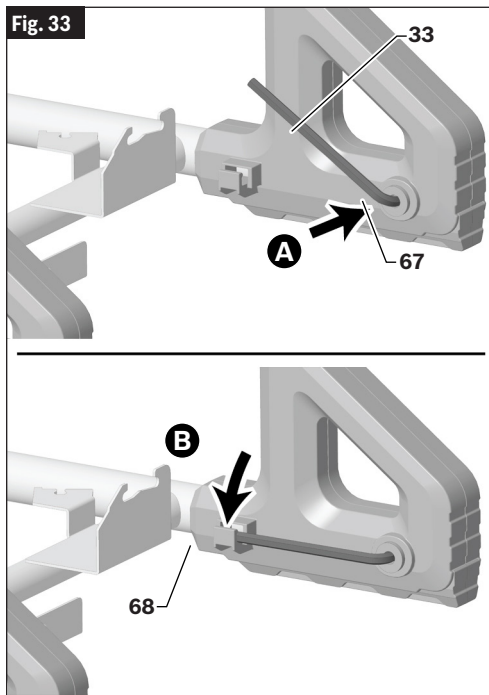
Rangement de la clé hexagonale

(Fig. 33)

Lorsqu'elle n'est pas utilisée, rangez la clé hexagonale **33** dans le port de rangement de la clé hexagonale **67** prévu sur le pied arrière droit de la base de la scie à table **5**.

Pour ranger la clé hexagonale :

1. Faites glisser l'extrémité courte de la clé hexagonale **33** dans le port de rangement de la clé hexagonale **67** prévu sur le pied arrière droit de la scie **A**.
2. Faites tourner la clé hexagonale **33** dans le sens inverse des aiguilles d'une montre et poussez jusqu'à ce que l'extrémité longue de la clé **33** s'enclenche dans le support de rangement de la clé hexagonale **68 B**.



Rangement de la clé à lame

(Fig. 34)

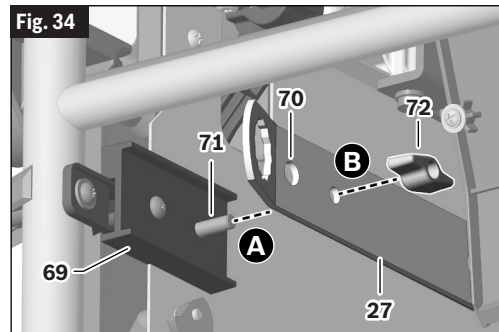
Lorsqu'elle n'est pas utilisée, rangez la clé à lame **27** sur le support de clé à lame **69** fourni sur le côté avant droit de la scie, directement sous la table **13**.

Pour ranger la clé à lame :

1. Alignez le trou de montage de la clé à lame **70** sur la tige filetée **71** du support de clé à lame **69**, et faites glisser la clé à lame **27** sur la tige filetée **71** jusqu'à ce que la clé à lame **70** s'emboîte dans le support de clé à lame **69 A**.
2. Pour fixer la clé à lame **27** en place, installez l'écrou à oreilles **72** fourni sur la tige filetée **71 B**, et serrez.

Pour retirer la clé à lame **27** :

1. Sur le support de la clé à lame **69**, desserrez l'écrou à oreilles **72** qui fixe la clé à lame **27** sur la tige filetée **71**.
2. Faites glisser la clé à lame **27** hors de la tige filetée **71**, et réinstallez l'écrou à oreilles **72**.



Rangement, transport et montage

Transport de la scie

(Fig. 1, Fig. 35, Fig. 36)

⚠ AVERTISSEMENT Pour éviter tout risque de blessure, débranchez toujours le bloc-piles avant de transporter la scie.

Pour le transport de la scie sur le chantier, la scie comprend deux poignées de transport encastrées **34** de chaque côté de la table **13**, et une poignée de transport à une main **16**. NE SOULEVEZ CETTE SCIE QUE PAR LES POIGNÉES DE TRANSPORT ENCASTRÉES **34** OU PAR LA POIGNÉE DE TRANSPORT À UNE MAIN **16**. N'UTILISEZ PAS LES POIGNÉES DE RÉGLAGE **15** POUR TRANSPORTER LA SCIE.

1. Assurez-vous que le bloc-piles **29** est déconnecté. Voir la rubrique « Insertion et retrait du bloc-piles » à la page 80.
2. Assurez-vous que les composants de la jauge à onglets sont, du guide de refente **9** et du système Smart Guard **11** dans leur position de rangement. Voir les rubriques intitulées « Rangement du guide d'onglet » à la page 88, « Stockage du guide de refente » à la page 88 et « Stockage du système Smart Guard » à la page 89.
3. Assurez-vous que le levier de verrouillage des rails **6** est enfoncé en position verrouillée.
4. Réglez le couteau séparateur **24** sur sa position centrale. Voir la rubrique intitulée « Couteau séparateur (diviseur) » à la page 104.
5. Abaissez la lame **32** jusqu'à la butée en tournant la roue d'élévation **2** dans le sens inverse des aiguilles d'une montre.
6. **Pour porter avec une seule main :**

- Placez la scie sur le côté sur le sol avec la poignée de transport à une seule main **16** orientée vers le haut.
- Prenez la scie par la poignée de transport à une seule main **16**, en veillant à ce que le haut de la table **13** soit orienté vers votre jambe.

Pour porter avec les deux mains :

- La scie étant posée à l'endroit, saisissez les poignées de transport moulées **34** de l'un quelconque des côtés de la table **13**.
- Soulevez la scie pour la détacher de la surface.

Fig. 35

port d'une seule main

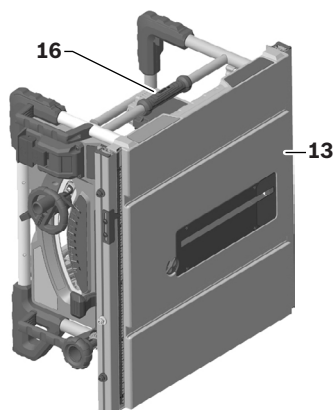
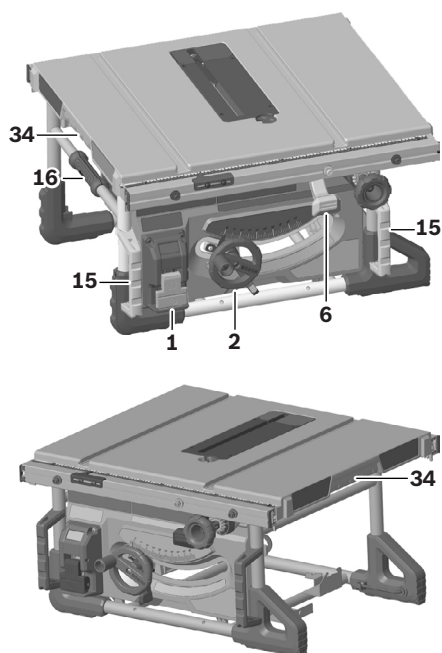


Fig. 36

port avec les deux mains



Rangement, transport et montage

Montage de la scie à table

(Fig. 37, Fig. 38)

⚠ AVERTISSEMENT Pour éviter tout risque de blessure, débranchez toujours le bloc-piles avant de monter la scie.

Para prevenir el movimiento mientras se está cortando, la sierra de mesa se debe sujetar firmemente a una base de soporte o un banco de trabajo, utilizando los cuatro agujeros de montaje 35.

Si va a montar la sierra en un banco de trabajo, la base 5 se deberá fijar utilizando cuatro tornillos de 3-1/2 pulgadas (89 mm) de longitud (no incluidos) a través de los agujeros de montaje 35. Asegúrese de que los tornillos se extiendan a través del armazón de la sierra y queden firmemente sujetos dentro de la superficie de trabajo de soporte.

Fig. 37

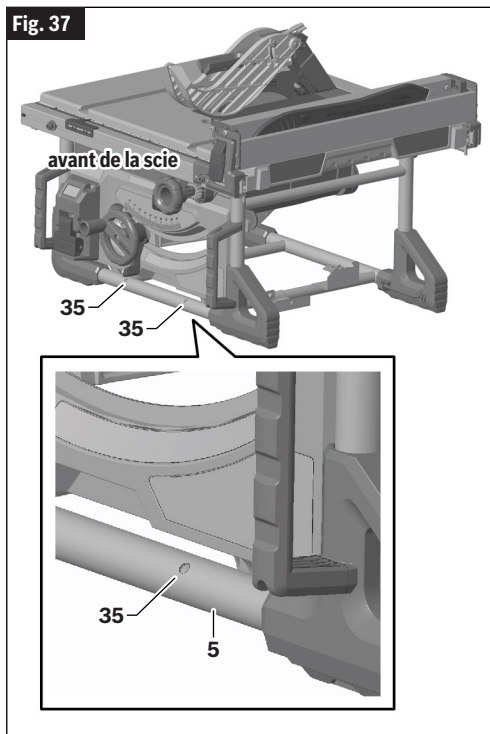
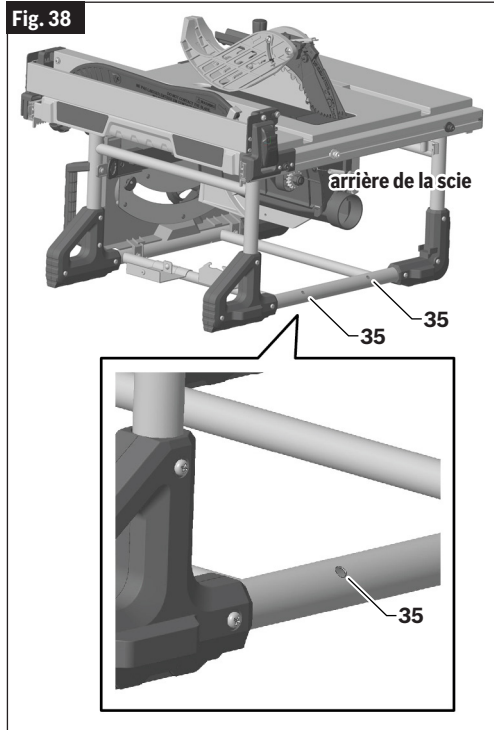


Fig. 38



Réglages

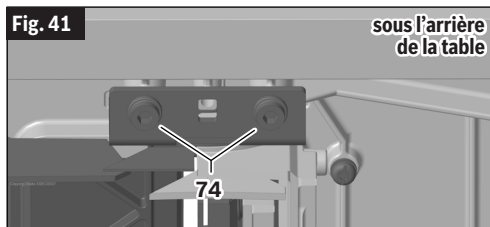
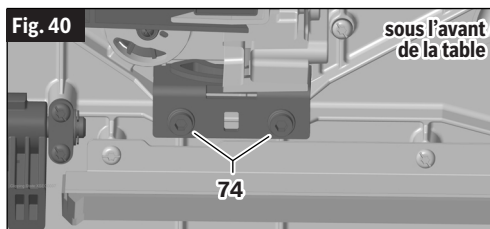
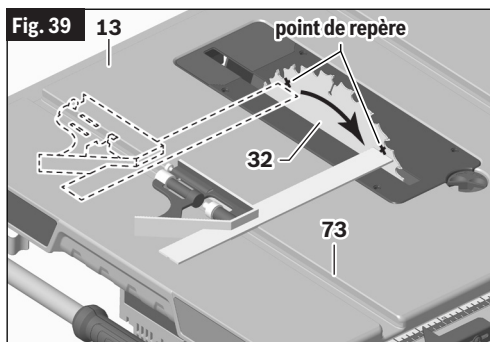
⚠ AVERTISSEMENT Pour éviter tout risque de blessure corporelle, débranchez toujours le bloc-piles avant d'effectuer tout assemblage, réglage ou réparation.

Réglage du parallélisme de la lame par rapport aux rainures de la jauge à onglets

(Fig. 1, Fig. 39, Fig. 40, Fig. 41)

Le parallélisme de la lame **32** par rapport aux rainures de la jauge à onglets **73** a été réglé à l'usine. Il est nécessaire de contrôler à nouveau ce réglage pour pouvoir réaliser des coupes précises tout en réduisant le risque de rebond. Si un réglage se révèle nécessaire, suivez la procédure ci-dessous.

1. Tournez la roue d'élévation **2** afin d'élever la lame **32** au maximum.
2. Sélectionnez un point sur le corps de la lame **32** de la scie qui se trouve sur le côté gauche de la lame **32** lorsqu'on regarde la lame **32** depuis l'avant de la scie, et marquez ce point avec un crayon.
3. Placez la base d'une équerre combinée contre le bord de la rainure de la jauge à onglets **73** et faites glisser la partie mobile de l'équerre de façon à ce qu'elle touche le point marqué sur le corps de la lame de la scie **32** à l'arrière de la table **13**, en prenant soin d'éviter les dents de la lame.
4. Faites tourner la lame **32** et vérifiez la position de ce même point sur la lame de la scie **32** à l'avant de la table **13**.
5. Si les mesures avant et arrière ne sont pas identiques, utilisez la clé hexagonale **33** fournie avec votre scie pour desserrer les quatre boulons d'alignement de la lame **74** situés sous la table **13** à l'avant et à l'arrière de la scie.
6. Déplacez la lame de scie **32** avec précaution jusqu'à ce qu'elle soit parallèle à la rainure de la jauge à onglets **73** et serrez ensuite fermement les quatre boulons d'alignement de la lame **74**.
7. Vérifiez que la lame **32** est parallèle à la fente **73** de la jauge à onglets en répétant les étapes 3 et 4. Si la lame **32** n'est pas alignée, répétez les étapes 5 et 6.



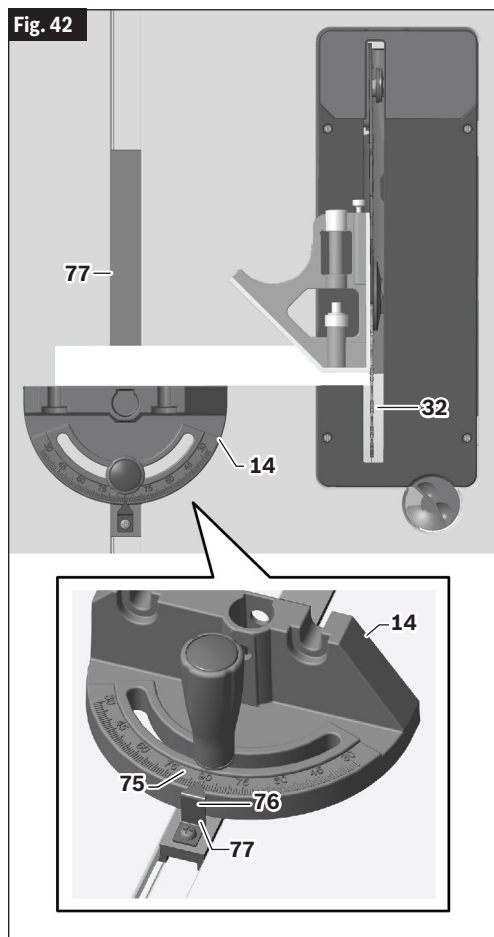
Réglages

Réglage de la jauge à onglets

(Fig. 42)

Pour vérifier la précision du positionnement de votre jauge à onglets **14**, placez-la en ligne avec la lame **32** et utilisez une équerre combinée pour vous assurer que le corps de la jauge à onglets **14** est à 90° par rapport à la lame **32**. Si le pointeur de la jauge à onglets **75** n'est pas orienté à 90°, desserrez la vis **76** sur le dessus de la barre de la jauge à onglets **77** et faites tourner le pointeur **75** jusqu'à la marque de 90°. Serrez la vis **76**.

Pour régler la jauge à onglets **14**, desserrez la vis 76 du pointeur de la jauge à onglets et tournez le pointeur de la jauge à onglets **75**.



Réglages du guide de refente

⚠ AVERTISSEMENT Le guide de refente doit être parallèle à la LAME afin de prévenir les CHOCS EN RETOUR lors des opérations de coupe en long.

⚠ AVERTISSEMENT Pour éviter tout risque de blessure, assurez-vous toujours que le guide de refente et les rails sont verrouillés avant de réaliser une coupe en long.

⚠ AVERTISSEMENT Alignez le guide pour qu'il soit parallèle à la lame de la scie. Un guide mal aligné pincera l'ouvrage contre la lame de la scie et produira un choc en retour.

Le système de guide de refente comporte trois goupilles d'indexation de la coupe en long sur les rails avant et arrière. Les capacités de largeur de coupe permises par ces goupilles d'indexation sont indiquées dans la section intitulée « Capacités de coupe » à la page 72.

Les alignements des goupilles d'indexation argentées et noires sur le côté droit de la lame sont liés. Avant de régler les goupilles d'indexation du guide de refente noires de droite, il faut vérifier l'alignement des goupilles d'indexation du guide de refente argentées de droite et les régler si nécessaire. Les goupilles d'indexation du guide de refente noires de gauche peuvent être réglées indépendamment des goupilles d'indexation du guide de refente argentées.

Alignement du guide de refente – Goupilles d'indexation argentées

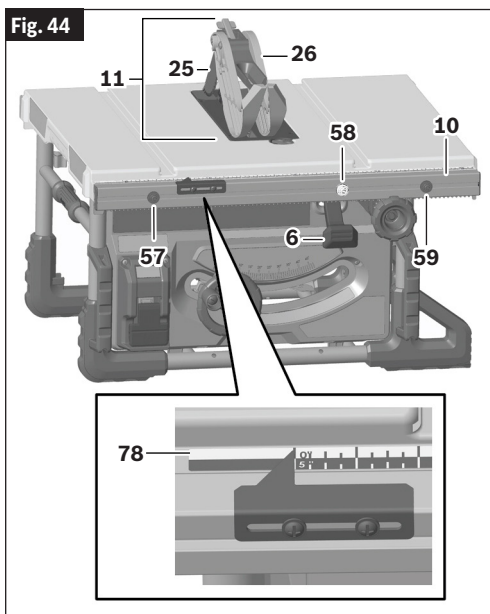
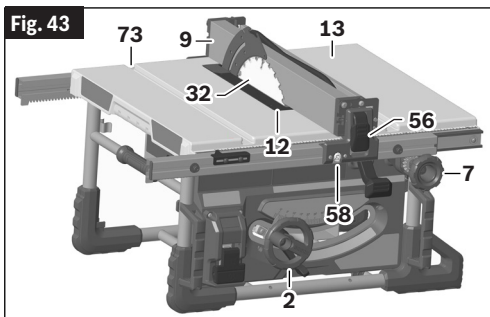
(Fig. 43, Fig. 44)

REMARQUE : Avant de procéder à l'alignement du guide de refente **9**, la lame **32** doit être parallèle aux fentes de la jauge à onglets **73** et être perpendiculaire à la table **13**. Voir les sections intitulées « Réglage du parallélisme de la lame par rapport aux rainures de la jauge à onglets » à la page 95 et « Réglage de la butée positive de 0° » à la page 101.

1. Assemblez le guide de refente **9** sur les goupilles d'indexation argentées **58**. (Voir la section intitulée « Fixation du guide de refente » à la page 84.) Ne verrouillez pas les leviers de verrouillage du guide de refente **56**.
2. Retirez l'ensemble de la barrière de protection **25** et le dispositif de protection contre les chocs en retour **26** du système Smart Guard **11**.
3. Déverrouillez le levier de verrouillage du rail **6**.
4. Déplacez le guide de refente **9** vers la lame **32** et vérifiez que le guide de refente **9** touche les dents de la lame à l'avant et à l'arrière de la lame **32**. Si ce n'est pas le cas, continuez avec les étapes suivantes.

Réglages

- Assurez-vous que les leviers de verrouillage du guide de refente **56** à l'avant et à l'arrière du guide de refente **9** sont toujours en position déverrouillée.
- À l'aide de la clé hexagonale **33** fournie, desserrez les goupilles d'indexation du guide de refente argentées **58** d'environ 1/2 tour à 1 tour pour que les goupilles puissent glisser librement.
- À l'aide du guide de refente **9**, déplacez les goupilles d'indexation argentées avant et arrière **58** vers la droite d'environ 1/8 po.
- À l'aide du bouton de réglage des rails **7**, déplacez les rails **10** de façon à ce que l'indicateur de position soit aligné sur le « 0 » de l'échelle argentée supérieure du guide de refente **78**, et verrouillez les rails **10** en place à l'aide du levier de verrouillage des rails **6**.
- Faites glisser le guide de refente **9** vers la lame **32** jusqu'à ce qu'il touche les dents de la lame à l'avant et à l'arrière de la lame **32**.
- Serrez à la main les goupilles d'indexation argentées avant et arrière **58** à l'aide de la clé hexagonale **33**. Tournez d'un huitième de tour supplémentaire pour fixer les goupilles en place. Vérifiez que le guide de refente **9** est toujours en contact avec les dents de l'avant et de l'arrière de la lame **32**.
- Verrouillez les leviers de verrouillage du guide de refente **56** sur les rails **10**, et vérifiez que le guide de refente **9** est toujours en contact avec les dents de l'avant et de l'arrière de la lame **32**.
- Lisez ensuite la section intitulée « Alignement du guide de refente – Goupilles d'indexation noires de droite ».

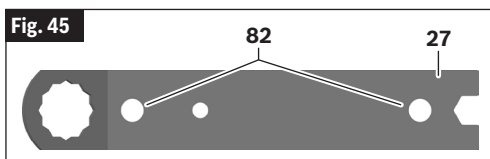


Alignement du guide de refente – Goupilles d'indexation noires de droite

(Fig. 43, Fig. 44, Fig. 45)

REMARQUE : Avant de procéder à l'alignement des goupilles d'indexation du guide de refente noires de droite **59**, l'alignement des goupilles d'indexation argentées **58** doit être vérifié et ajusté si nécessaire. (Voir la section intitulée « Alignement du guide de refente – Goupilles d'indexation argentées » à la page 96.)

- Vérifiez que le guide de refente **9** et les goupilles d'indexation du guide de refente argentées **58** sont correctement alignés conformément à la section intitulée « Alignement du guide de refente – Goupilles d'indexation argentées » à la page 96.
- Déverrouillez les leviers de verrouillage du guide de refente **56** à l'avant et à l'arrière du guide de refente **9**, et retirez le guide de refente **9** des rails **10**. Verrouillez le levier de verrouillage des rails.
- À l'aide de la clé hexagonale **33** fournie, desserrez les goupilles d'indexation du guide de refente noires à droite **57** sur les rails avant et arrière **10** d'environ 1/2 tour à 1 tour pour que les goupilles puissent glisser librement.
- En utilisant les trous d'alignement du guide **82** de la clé à lame **27**, placez la clé à lame **27** sur la goupille d'indexation du guide de refente argentée **57** sur le rail avant **10**.



Réglages

- Si elle n'est pas correctement alignée, déplacez la goupille d'indexation noire du guide de refente **57** à l'avant à droite jusqu'à ce que le trou de la clé à lame **27** s'adapte à la tête de la goupille.
- Serrez à la main la goupille **57** à l'aide de la clé hexagonale **27**. Tournez de 1/8 de tour supplémentaire pour fixer en place la goupille **57**.
- Répétez les étapes 16 à 18 pour la goupille d'indexation arrière du guide de refente **57**.

Alignement du guide de refente – Goupilles d'indexation noires de gauche

(Fig. 1, Fig. 43, Fig. 44)

REMARQUE : Avant de procéder à l'alignement du guide de refente **9**, la lame **32** doit être parallèle aux fentes de la jauge à onglets **73** et être perpendiculaire à la table **13**. Voir les sections intitulées « Réglage du parallélisme de la lame par rapport aux rainures de la jauge à onglets » à la page 95 et « Réglage de la butée positive de 0° » à la page 101.

- Retirez l'ensemble de la barrière de protection **25** et le dispositif de protection contre les chocs en retour **26** du système Smart Guard **11**.
- Attachez le guide de refente **9** aux goupilles d'indexation noires de gauche **57**. (Voir la section intitulée « Fixation du guide de refente » à la page 84.) Veillez à orienter le guide de refente **9** de sorte que le guide basculant **14** soit du côté opposé à la lame **32**.
- Déplacez le guide de refente vers la lame et vérifiez que le guide de refente **9** touche les dents de la lame à l'avant et à l'arrière de la lame **32**. Si ce n'est pas le cas, continuez avec les étapes suivantes.
- À l'aide de la clé hexagonale **33** fournie, desserrez les goupilles d'indexation noires **57** du guide de refente de gauche sur les rails avant et arrière **10** d'environ 1/2 tour à 1 tour afin que les goupilles puissent glisser librement.
- Faites glisser le guide de refente **9** vers la lame **32** jusqu'à ce que le guide de refente **9** touche les dents de la lame à l'avant et à l'arrière de la lame **32**.
- Serrez à la main les goupilles d'indexation avant et arrière noires du guide de refente à gauche **57**. Tournez d'un huitième de tour supplémentaire pour fixer les goupilles en place. Vérifiez que le guide de refente **9** est toujours en contact avec les dents de l'avant et de l'arrière de la lame **32**.
- Verrouillez les leviers de verrouillage du guide de refente **56** sur les rails **10**, et vérifiez que le guide de refente **9** est toujours en contact avec les dents de la lame à l'avant et à l'arrière de la lame **32**.

- Remplacez l'ensemble de barrière de protection **25** et le dispositif de protection contre les chocs en retour **26** du système Smart Guard **11**.

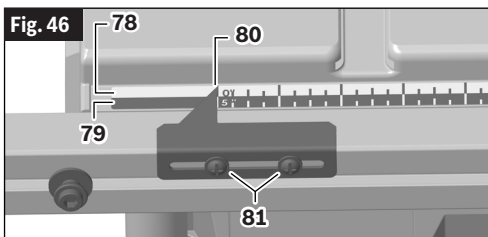
Réglage du pointeur du guide de refente

(Fig. 43, Fig. 44, Fig. 46)

Lors de la coupe de refente sur le côté droit de la lame **32**, la distance entre le corps du guide de refente **9** et la lame **32** est déterminée en alignant le pointeur du guide de refente **80** sur la dimension souhaitée sur l'échelle du guide de refente **22**.

Réglage du pointeur du guide de refente **80** :

- Retirez l'ensemble de barrière de protection **25** et le dispositif de protection contre les chocs en retour **26** avant de régler le pointeur du guide de refente **80**.
- Assemblez le guide de refente **9** aux goupilles d'indexation argentées du guide de refente **57**. Voir la section intitulée « Fixation du guide de refente » à la page 84.
- Déverrouillez le rail **10** à l'aide du levier de verrouillage du rail **6**.
- Déplacez le guide de refente **9** vers la lame **32** et vérifiez que le guide de refente **9** touche les dents de la lame à l'avant et à l'arrière de la lame **32**.
- Desserrez les vis de réglage du pointeur **81**.
- Régalez le pointeur sur le repère « 0 » de l'échelle argentée supérieure du guide de refente **78**, puis resserrez les vis de réglage du pointeur **81**.



Réglages

Alignement du couteau séparateur

(Fig. 47)

IMPORTANT : Le couteau séparateur **24** doit toujours être aligné sur la lame de la scie **32**. Le couteau séparateur **24** est plus fin que la largeur du trait de scie.

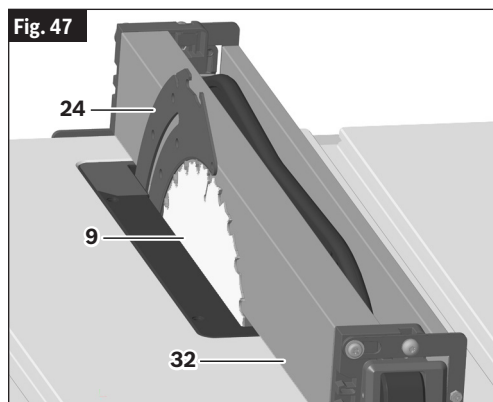
REMARQUE : Le trait de scie est la largeur de la coupe effectuée dans l'ouvrage par les dents sur la lame de la scie **32**.

Vérification de l'alignement du couteau séparateur

(Fig. 1, Fig. 47)

REMARQUE : Le couteau séparateur **24** a été correctement aligné en usine. Vérifiez toujours l'alignement avant d'effectuer un réglage quelconque.

1. Tournez la molette de réglage de l'élévation **2** dans le sens des aiguilles d'une montre pour élever la lame **32** à la hauteur maximale, et réglez l'angle de biseau sur 0° .
2. Retirez l'ensemble de barrière de protection **25** et le dispositif de protection contre les chocs en retour **26**.
3. Attachez le guide de refente **9** aux boulons d'indexation argentés du guide de refente **58**. (Voir la section intitulée « Fixation du guide de refente » à la page 84.) Faites-le glisser jusqu'à ce qu'il touche les extrémités de la lame de scie **32**.
4. Vérifiez l'alignement :
 - Depuis le haut, regardez vers le bas au-dessus du guide de refente **9** et vérifiez que le couteau séparateur **24** est aligné (d'avant en arrière) sur la lame **32** et parallèle au guide de refente **9**.
 - Faites glisser le guide de refente **9** pour l'éloigner de la lame **32**, regardez par-dessus l'avant de la lame **32** et vérifiez que le couteau séparateur **24** est aligné sur la lame **32**.



- Si l'une ou l'autre de ces inspections révèle un alignement incorrect, passez à la section intitulée « Réglage du couteau séparateur » ci-dessous.

Réglage du couteau séparateur

(Fig. 43, Fig. 44, Fig. 48, Fig. 49, Fig. 50)

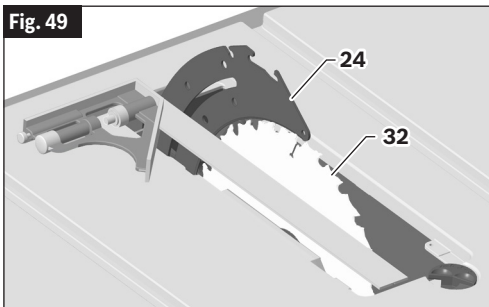
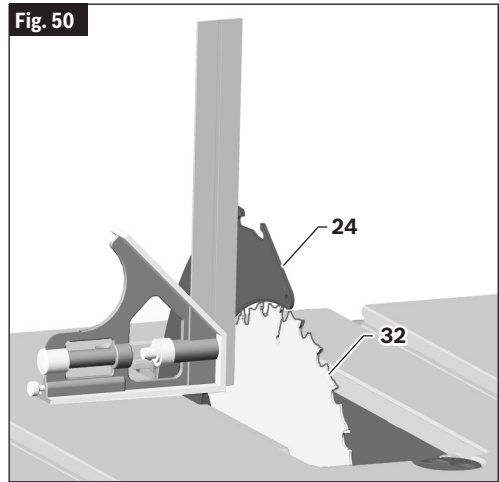
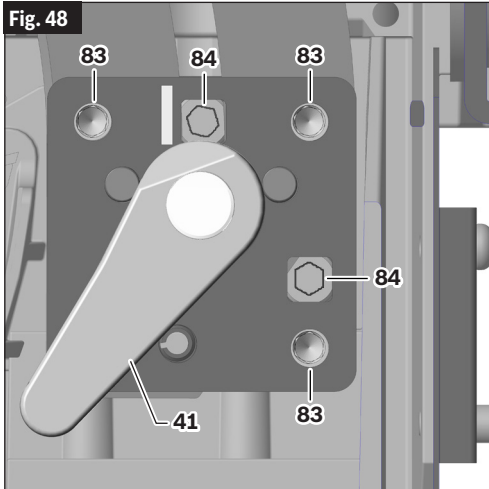
1. Retirez l'ensemble de barrière de protection **25** et le dispositif de protection contre les chocs en retour **26**.
2. Retirez l'élément amovible de la table **12**. Voir la section intitulée « Retrait de l'élément amovible de la table » à la page 80.
3. Tournez la molette de réglage de l'élévation **2** dans le sens des aiguilles d'une montre pour élever la lame **32** à sa hauteur maximale, et réglez l'angle de biseau sur 0° .
4. Réglez le couteau séparateur **24** pour qu'il soit dans sa position la plus haute. Voir la section intitulée « Positionnement du couteau séparateur » à la page 81.
5. Placez les trois vis de réglage du couteau séparateur **83** à côté du levier de libération du couteau séparateur **41**.
6. Placez une règle droite sur le côté gauche de la lame **32** contre deux dents de la lame (comme indiqué sur la Fig. 49). Le couteau séparateur **24** ne doit pas toucher le bord droit.
7. Utilisez la clé hexagonale **33** fournie pour régler le couteau séparateur **24** en tournant les vis de réglage **83**. Un couteau séparateur **24** correctement réglé sera en contact avec le bord droit sur toute sa largeur.

REMARQUE : Si les vis de réglage **83** doivent être desserrées (en tournant la clé hexagonale **33** dans le sens inverse des aiguilles d'une montre), desserrez également les vis de verrouillage du couteau séparateur **84**. Le fait de desserrer les vis de réglage **83** sans desserrer au préalable les vis de verrouillage **84** peut entraîner une déformation du couteau séparateur **24**.

8. Posez la règle sur le côté droit de la lame **32**, et répétez les ajustements si nécessaire.
9. Placez un carré plat contre le côté gauche du couteau séparateur **24** pour vérifier que le couteau séparateur **24** est vertical et aligné sur la lame **32** (comme indiqué sur la Fig. 50).
10. Si nécessaire, utiliser les vis de réglage **83** pour amener le couteau séparateur **24** à la verticale de l'équerre.
11. Répétez l'étape 6 pour vérifier la position du couteau séparateur **24**. Répétez les étapes 7 à 10 si nécessaire.
12. Une fois les réglages terminés, serrez à fond les vis de verrouillage du couteau séparateur **84**.

Réglages

REMARQUE : Vérifiez que le couteau séparateur **24** reste aligné sur la lame **32** lorsque la lame **32** est inclinée à n'importe quel angle. Avant d'effectuer des coupes, remettez en place l'ensemble de barrière de protection **25** et le dispositif de protection contre les chocs en retour **26**.



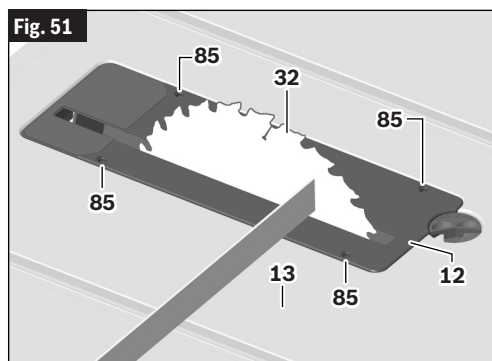
Réglages

Réglage de l'élément amovible de la table

(Fig. 51)

L'élément amovible de la table **12** comprend quatre vis de réglage **85** permettant de régler la hauteur de l'élément amovible.

1. Placez l'élément amovible de la table **12** dans le réceptacle situé sur le dessus de la table **13**, et verrouillez-le en place. Voir la section intitulée « Installation de l'élément amovible de la table » à la page 80.
2. Placez une règle, telle que la règle en métal d'une équerre combinée) à travers le dessus de la table **13** et l'élément amovible de la table **12**.
3. Si la surface de l'élément amovible de la table **12** n'est pas au même niveau que le dessus de la table **13**, utilisez un petit tournevis à fente pour tourner chaque vis de réglage de l'élément amovible de la table **85** jusqu'à ce que l'élément amovible de la table **12** soit au même niveau que la table **13**.



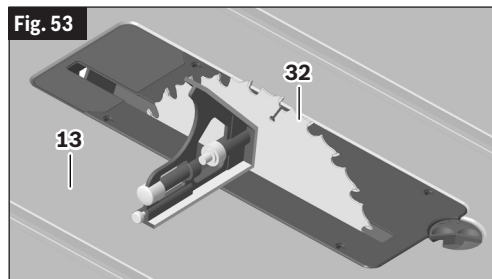
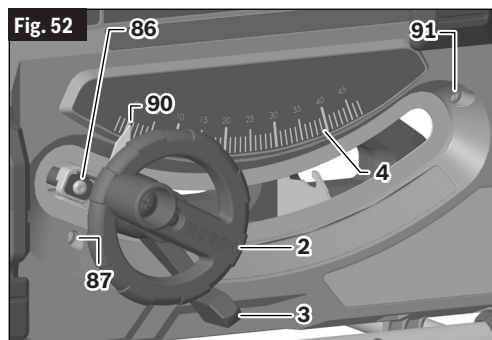
Réglage des butées positives de 0° et 45°

Votre scie est pourvue de butées positives permettant de positionner rapidement la lame de la scie **32** à 90° et 45 degrés par rapport à la table **13**.

Réglage de la butée positive de 0°

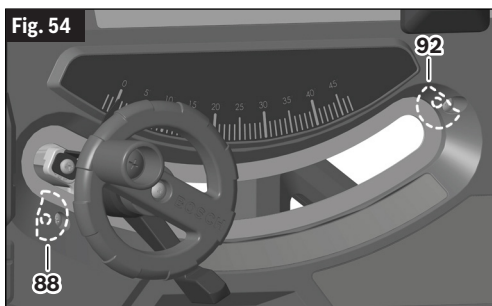
(Fig. 52, Fig. 53, Fig. 54)

1. Tournez la roue d'élévation **2** dans le sens des aiguilles d'une montre et élevez la lame **32** à sa hauteur maximum.
2. Desserrez le bouton de verrouillage du biseau de la lame **3** en le tournant dans le sens contraire des aiguilles d'une montre.
3. Poussez la molette de réglage de l'élévation **2** vers la gauche aussi loin que possible. Serrez ensuite la poignée de verrouillage du biseau de la lame **3** en la tournant dans le sens des aiguilles d'une montre.
4. Placez une équerre combinée sur la table **13** avec une extrémité de l'équerre contre la lame **32**, et vérifiez si la lame est à 90° par rapport à la table **13**.
5. Si la lame **32** n'est pas à 90° par rapport à la table **13** :
 - Desserrez la poignée de verrouillage du biseau de la lame **3** en la tournant dans le sens inverse des aiguilles d'une montre.
 - Desserrez la vis de réglage **87** de 90°.



Réglages

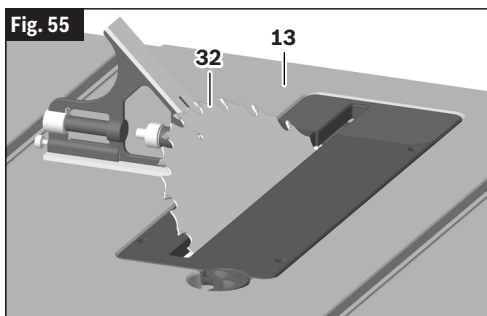
- Assurez-vous que la came de butée de biseau à 90° **88** est desserrée. La came de butée de biseau **88** est située derrière la plaque frontale.
 - Poussez la molette de réglage de l'élévation **2** jusqu'à ce que la lame **32** soit à 90° par rapport à la table **13**.
6. Serrez la poignée de verrouillage du biseau de la lame **3** en la tournant dans le sens des aiguilles d'une montre.
 7. Faites tourner la came de butée de biseau à 90° **88** jusqu'à ce qu'elle touche le boîtier de butée de biseau, puis serrez la vis de réglage **87** à 90° en vous assurant que la came de butée de biseau à 90° **88** reste en position.
 8. Desserrez la vis de réglage de l'indicateur de biseau **86**, et réglez le pointeur de biseau **90** pour qu'il indique 0° sur l'échelle de biseau de la lame **4**.
- Assurez-vous que la came de butée de biseau à 45° **92** est desserrée.
 - Poussez la molette de réglage de l'élévation **2** jusqu'à ce que la lame **32** soit à 45° par rapport à la table.
6. Serrez la poignée de verrouillage du biseau de la lame **3** en la tournant dans le sens des aiguilles d'une montre.
 7. Tournez la came de butée de biseau à 45° **92** jusqu'à ce qu'elle touche le boîtier de butée de biseau **89**.
 8. Serrez la vis de réglage de 45° **91** en veillant à ce que la came de butée de biseau de 45° **92** reste en position.



Réglage de la butée positive de 45°

(Fig. 52, Fig. 54, Fig. 55)

1. Tournez la roue d'élévation **2** dans le sens des aiguilles d'une montre et élevez la lame **32** à sa hauteur maximum.
2. Desserrez le bouton de verrouillage du biseau de la lame **3** en la tournant dans le sens contraire des aiguilles d'une montre.
3. Poussez la molette de réglage de l'élévation **2** vers la droite aussi loin que possible. Serrez ensuite la poignée de verrouillage du biseau de la lame **3** en la tournant dans le sens des aiguilles d'une montre.
4. Placez une équerre combinée sur la table **13** avec une extrémité de l'équerre contre la lame **32**, et vérifiez pour vous assurer que la lame **13** est à 45° par rapport à la table.
5. Si la lame **32** n'est pas à 45° par rapport à la table **13** :
 - Desserrez la poignée de verrouillage du biseau de la lame **3** en la tournant dans le sens inverse des aiguilles d'une montre.
 - Desserrez la vis de réglage **91** de 45°.



Utilisations basiques de la scie à table

⚠ AVERTISSEMENT Pour éviter tout risque de blessure, débranchez toujours le bloc-piles avant d'effectuer tout assemblage, réglage ou réparation.

Interrupteur

(Fig. 56, Fig. 57)

Pour mettre la scie en marche, pincez les parois latérales de l'interrupteur d'alimentation **1** **A** et soulevez l'interrupteur d'alimentation **1** en le tirant vers le haut **B**.

Pour éteindre la scie, poussez le levier de l'interrupteur d'alimentation **1** vers le bas, pour le remettre dans sa position initiale.

Pour prévenir toute utilisation non autorisée, il est possible de placer un cadenas ayant une anse de 6,3 mm / 1/4 po de diamètre (non fournie avec la scie à table) sur l'interrupteur d'alimentation **1**.

L'indicateur d'état de charge **17** s'allume lorsqu'un bloc-piles est inséré et quand la scie est mise sous tension.

L'indicateur d'état de charge **17** restera allumé pendant 3 secondes après que la scie aura été mise hors tension.

Indicateur d'état de charge

(Fig. 57, Fig. 58)

L'indicateur d'état de charge **17** est un affichage à DEL qui indique le niveau de charge approximatif restant dans le bloc-piles **29**.

L'indicateur d'état de charge **17** s'allume lorsqu'un bloc-piles est inséré et quand la scie est mise sous tension.

L'indicateur d'état de charge **17** restera allumé pendant 3 secondes après que la scie aura été mise hors tension.

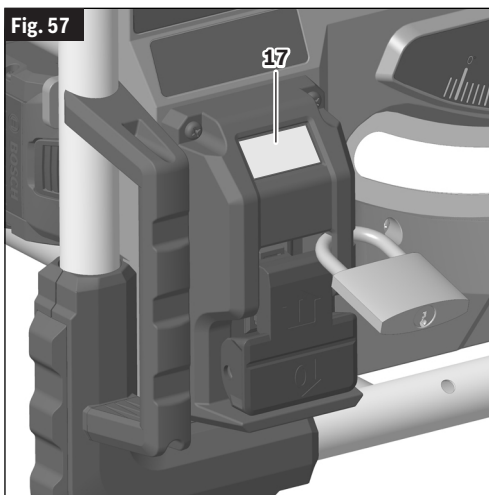
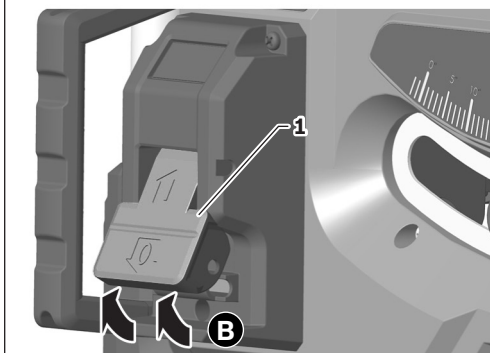
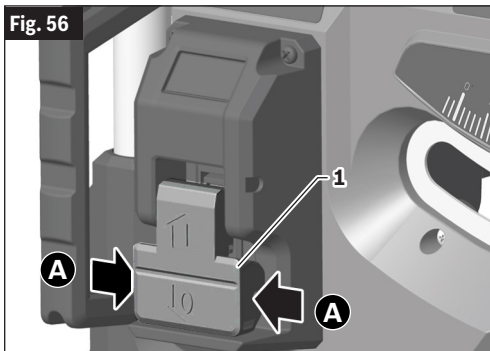


Fig. 58

		60 % à 100 % de charge
		30 % à 60 % de charge
		5 % à 30 % de charge
		0 % à 5 % de charge

* clignotant

Utilisations basiques de la scie à table

Utilisation du système Smart Guard

(Fig. 59)

Le système Smart Guard de Bosch **11** a été conçu de façon modulaire, afin de permettre l'utilisation de multiples combinaisons des principaux composants du système : le couteau séparateur **24**, l'ensemble de barrière de protection principale **25** et le dispositif de protection contre les chocs en retour **26**.

Le couteau séparateur **24** peut être rapidement réglé sur l'une des trois positions pour différentes applications : coupe transversante (haut), coupe non transversante (milieu) et coupe de rainures (bas).

Les trois principaux composants du système de protection de la lame Smart Guard sont conçus pour pouvoir être montés, ajustés et/ou démontés rapidement, sans nécessiter l'emploi d'outils additionnels.

Si vous retirez des composants du système Smart Guard **11** pour effectuer une coupe, réinstallez-les immédiatement lorsque vous avez terminé cette coupe. (Voir la section intitulée « Fixation de l'ensemble de barrière de protection » à la page 82 pour obtenir des instructions d'installation détaillées.)

Rappelez-vous toujours que la meilleure façon d'éviter les accidents est de faire preuve de bon sens et de rester vigilant à tout moment lors de l'utilisation de la scie à table.

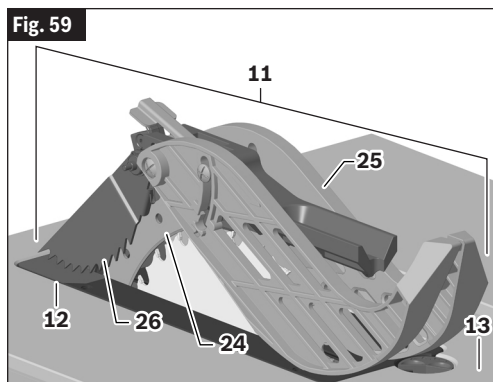
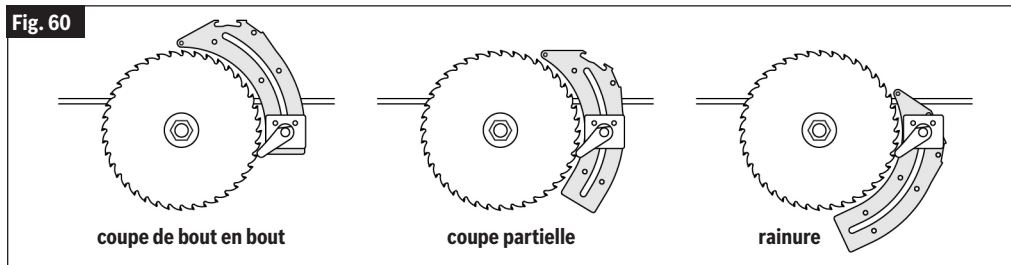


Fig. 60



Couteau séparateur (diviseur)

(Fig. 1, Fig. 10, Fig. 59, Fig. 60)

Le couteau séparateur est l'élément central du système de protection de la lame Smart Guard de Bosch **11**. Il sert de point de fixation à la fois pour l'ensemble de barrière de protection **25** et pour le dispositif de protection contre les chocs en retour **26**.

Si l'ensemble de barrière de protection **25** et le dispositif de protection contre les chocs en retour **26** sont retirés, le couteau séparateur **24** conserve sa fonctionnalité de diviseur de matériau. Il peut être rapidement réglé sur l'une des trois positions suivantes, en fonction des exigences de l'application : coupe transversante, coupe non transversante et coupe de rainures. En raison de cette souplesse, le couteau séparateur **24** peut être positionné de façon appropriée pour toutes les applications de coupe. (Voir la section intitulée « Réglage du couteau séparateur » à la page 99.)

Le couteau séparateur (diviseur) **24** peut facilement être ajusté à l'une des trois hauteurs possibles en retirant l'élément amovible de la table **12**, en soulevant la lame **32** à sa hauteur maximum et en relâchant le levier de relâchement du couteau séparateur **41** à la base du couteau séparateur **24**. Le couteau séparateur **24** doit être verrouillé dans sa position la plus élevée (coupe de bout en bout) pour pouvoir être utilisé conjointement avec l'ensemble de barrière de protection principale **25** et le dispositif de protection contre les chocs en retour **26**. Il peut être réglé sur sa position intermédiaire pour les coupes partielles et pour emploi comme diviseur de matériaux afin de fendre des matériaux en l'absence de la barrière de protection principale **25** et du dispositif de protection contre les chocs en retour **26**. Au cas où le couteau séparateur **24** ne pourrait pas être utilisé pour une coupe particulière ou conjointement avec une lame pour rainures, il pourra être réglé sur sa position de coupe de rainures (la plus basse), c. à d. qu'il serait placé à 2,5 cm / 1 po au-dessus de la surface de la table **13** lorsque la lame **32** est dans sa position la plus élevée.

Utilisations basiques de la scie à table

Ensemble de barrière de protection

(Fig. 59)

L'ensemble de barrière de protection **25** consiste en une paire de barrières en plastique attachées à la barrière de protection supérieure en plastique. Les barrières latérales (une à gauche de la lame **32** et une à droite de la lame) fonctionnent indépendamment l'une de l'autre, ce qui permet d'assurer une couverture maximum de la lame pendant les opérations de coupe. L'ensemble de barrière de protection **25** incorpore un point de fixation à connexion rapide et peut être attaché ou retiré du système de protection Smart Guard **11** indépendamment du dispositif de protection contre les chocs en retour **26** et du couteau séparateur **24**.

L'ensemble de barrière de protection **25** peut être rapidement attaché et détaché grâce à l'utilisation du levier de libération de l'ensemble de barrière de protection à dégage-ment rapide **36**. La barrière de protection est attachée en installant la barre transversale sur le haut du couteau séparateur (diviseur) **24** et en engageant le levier de relâchement **36**. En suivant le même processus, mais inversé, on peut retirer facilement l'ensemble de barrière de protection **25** pour des opérations spéciales telles que des coupes de rainures ou de feuillures.

REMARQUE : Pour assujettir le mieux possible l'ensemble de barrière de protection **25** pendant les transports, mettez la lame **32** dans sa position la plus basse. Ceci maintient la barrière de protection **25** serrée contre la surface de la table **13** et empêche tout risque de dommage pouvant être causé par le jeu de la barrière de protection **25** pendant le transport. En cas de transport sur une grande distance sur le chantier ou en dehors de celui-ci, placez la barrière de protection **25** dans sa position de rangement au-dessous de la table. (Voir la section intitulée « Rangement de l'ensemble de barrière de protection » à la page 89).

Dispositif de protection contre les chocs en retour

(Fig. 59)

En cas de rebond, le dispositif de protection contre les chocs en retour **26** a pour fonction d'empêcher la projection de l'ouvrage dans la direction de l'utilisateur. Les dents acérées des taquets du dispositif de protection contre les chocs en retour **50** sont conçues pour « attraper » le matériau en cas de rebond.

Le dispositif de protection contre les chocs en retour **26** peut facilement être attaché en alignant la cheville de fixation sur le trou à l'arrière du couteau séparateur (diviseur) **24**. Il peut être déplacé facilement en appuyant sur la goupille de compression **49** sur le côté du dispositif de protection contre les chocs en retour **26** et en le soulevant.

Fabrication d'accessoires pour le sciage

Avant de couper du bois avec votre scie, familiarisez-vous avec toutes les « Utilisations basiques de la scie à table ».

Vous remarquerez que pour exécuter certains types de coupe, il est nécessaire d'avoir recours à certains accessoires pour le sciage tels que le bâton poussoir **93**, le bloc poussoir **94** et le guide de coupe auxiliaire **95**, que vous pouvez fabriquer vous-même.

Après avoir effectué quelques coupes d'essai, mais avant de commencer tout projet, fabriquez ces accessoires pour le sciage. Fabriquez le « bâton poussoir » en premier.

Fabrication du bâton poussoir et du bloc poussoir

(Fig. 61, Fig. 62)

Fabriquez le bâton poussoir **93** en utilisant une pièce de 19 mm x 38 mm / 1 po x 2 po comme indiqué sur la Fig. 61. Pour une utilisation correcte d'un bâton poussoir **93**, voir la section intitulée « Utilisation du bâton poussoir » à la page 109.

Fabriquez le bâton poussoir **94** à l'aide de pièces de contre-plaqué de 8,7 mm / 3/8 po **A** et de bois dur de 19 mm / 3/4 po **B**. Le bâton poussoir **94** ne doit être utilisé qu'en combinaison avec le guide auxiliaire. Pour assurer une utilisation correcte du bâton poussoir **94**, voir la section intitulée « Utilisation du bloc poussoir avec le guide auxiliaire » à la page 110.

Le petit morceau de bois, de 9,5 x 9,5 x 63,5 mm / 1/2 x 3/8 x 2-1/2 po doit être COLLÉ au contreplaqué... N'UTILISEZ PAS DE CLOUS. Vous risqueriez d'émousser la lame **32** au cas où en coupant vous entreriez accidentellement en contact avec le bloc poussoir **94**.

Positionnez la poignée au centre du contreplaqué et assujettissez-la en utilisant de la colle et des vis à bois.

Utilisez le bâton poussoir **8** chaque fois que le guide de refente **9** est à 5 cm / 2 po ou plus de la lame **32**. Utilisez un bloc poussoir **94** lorsque vous n'avez pas assez de place pour utiliser un bâton poussoir **8**. Pour assurer une utilisation correcte, voir la section intitulée « Utilisation du bâton poussoir, du bloc poussoir et du guide auxiliaire » à la page 109.

Le bâton poussoir **8** ou le bloc poussoir **94** ne doit être utilisé qu'entre le guide de refente **9** et la lame **32**.

Lorsque vous utilisez le bâton poussoir **8** ou le bloc poussoir **94**, l'extrémité arrière de la planche doit être carrée. Le bâton poussoir **8** ou un bloc poussoir **94** contre un bord arrière inégal risquerait de glisser ou de pousser l'ouvrage à distance du guide de refente **9**.

Utilisations basiques de la scie à table

Fig. 61

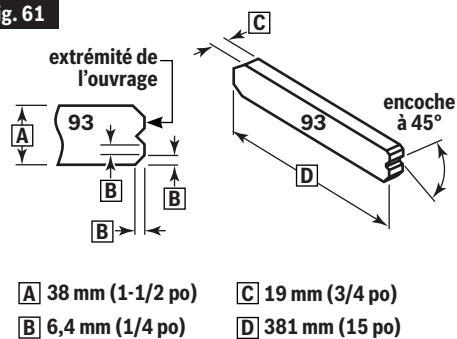
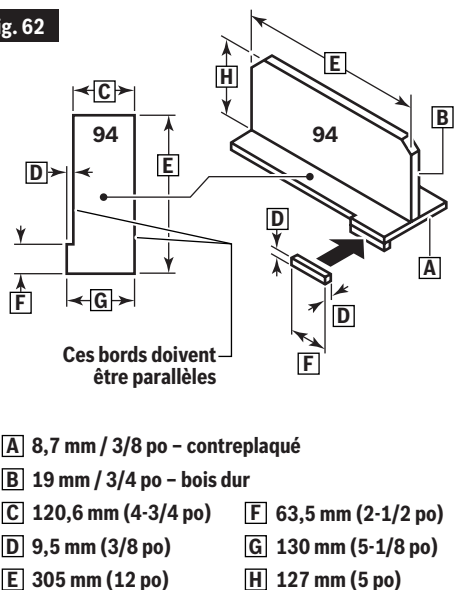


Fig. 62



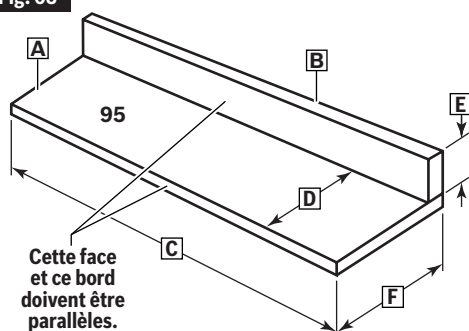
Fabrication d'un guide auxiliaire

(Fig. 62, Fig. 63)

Fabriquez le guide auxiliaire **95** à l'aide de pièces de contreplaqué de 8,7 mm / 3/8 po, **A**, et de bois dur de 19 mm / 3/4 po, **B**. Fixez-les ensemble avec de la colle et des vis à bois.

REMARQUE : Étant donné qu'un bloc poussoir **94** est utilisé avec le guide auxiliaire **95**, les dimensions de 120,6 mm / 4-3/4 po doivent être identiques sur les deux pièces.

Fig. 63



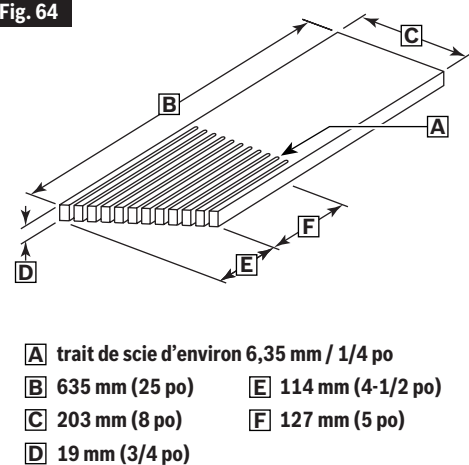
Fabrication d'une planche à languettes

(Fig. 64)

Une planche à languettes doit être construite en utilisant un morceau de bois droit sans nœuds ni fissures. La Fig. 64 montre les dimensions typiques d'une planche à languettes.

Les traits de scie, **A**, doivent être espacés d'environ 6,35 mm / 1/4 po.

Fig. 64



Utilisations basiques de la scie à table

Fabrication du bloc de parement

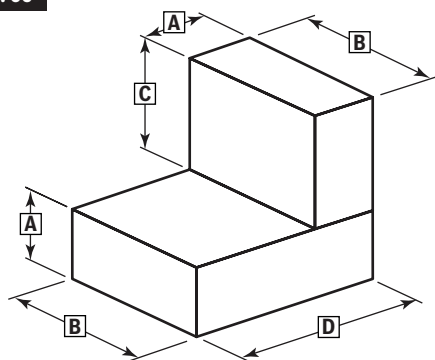
(Fig. 65)

Fabriquez le bloc de parement **100** en utilisant des pièces de 25,4 mm x 76,2 mm / 1 po x 3 po. Positionnez les deux sections du bloc de parement **100** ensemble et sécurisez-les avec de la colle et des vis à bois.

La hauteur totale du bloc de parement doit correspondre à la hauteur du guide de refente.

Pour l'utilisation correcte du bloc de parement **100**, voir la section intitulée « Coupes transversales répétitives » à la page 115.

Fig. 65



- A** 19,0 mm (3/4 po)
- B** 63,5 mm (2,5 po)
- C** 47,6 mm (1-7/8 po)
- D** 76,2 mm (3,0 po)

Fabrication d'un parement auxiliaire pour le guide de refente

(Fig. 66, Fig. 67)

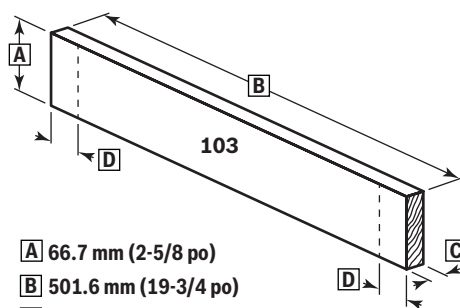
Lorsque vous utilisez des accessoires pour couper des rainures, il faut également utiliser un parement auxiliaire **103**. Ceci contribuera à réduire les risques d'endommagement du guide de refente en aluminium **9**. Le parement auxiliaire **103** doit être fabriqué avec du bois de 19 mm / 3/4 po d'épaisseur. La Fig. 66 fournit les plans dimensionnels pour la fabrication d'une planche de parement auxiliaire **103** adaptée à cette scie.

Le parement auxiliaire **103** est fabriqué avec la même hauteur, 66,68 mm / 2-5/8 po que le guide de refente **9**, et il peut être utilisé avec le système Smart Guard **11** en place lorsque le guide de refente **9** est déplacé pour entrer en contact avec la lame **32**.

Le parement auxiliaire **103** doit être fixé à deux endroits à moins de 38,1 mm / 1-1/2 po de ses extrémités. Il faut veiller

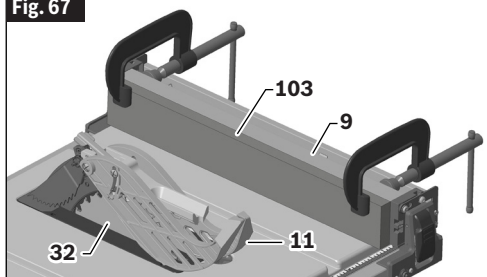
à ne pas le fixer au-dessus du bâton pousseur ou à ne pas endommager les supports du bâton pousseur.

Fig. 66



- A** 66.7 mm (2-5/8 po)
- B** 501.6 mm (19-3/4 po)
- C** 19 mm (3/4 po)
- D** 38.1 mm (1-1/2 po)

Fig. 67



Fabrication d'un parement auxiliaire haut pour le guide de refente

(Fig. 68, Fig. 69)

Lors de la réalisation de coupes non transversantes, telles que les coupes de feuillures, il sera nécessaire d'utiliser un parement auxiliaire haut pour le guide de refente **104** afin de pouvoir soutenir correctement l'ouvrage. Ce revêtement permet également de fixer des accessoires tels que des planches à languettes.

Pour créer de tels accessoires pour le sciage, il faut d'abord fabriquer un panneau de support de la taille du parement auxiliaire **104** et percer deux trous de 3/8 po, d'une profondeur d'environ 2 po, dans le bord du panneau de support. Ces trous doivent être situés à environ 4 po des extrémités de la planche de support, comme illustré à la Fig. 68. Enfin, une planche de 3/4 po d'épaisseur doit être fixée au panneau de support à l'aide de colle et de vis à bois de 1-1/4 po de long. La hauteur de cette planche supplémentaire doit correspondre aux besoins de l'opération de sciage effectuée.

Utilisations basiques de la scie à table

Des brides de fixation universelles pour guide avec un diamètre de bras de serrage de 3/8 po sont nécessaires pour sécuriser le parement auxiliaire haut **104** du guide de refente **9**. Veillez à serrer les brides de fixation universelles comme indiqué sur la Fig. 69.

Fig. 68

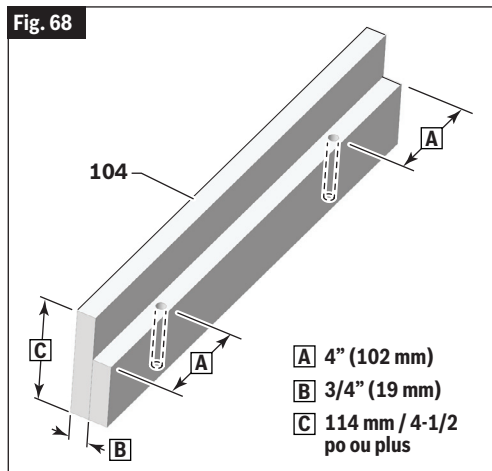
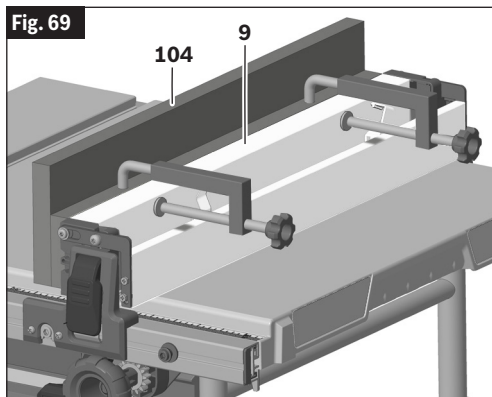


Fig. 69



Fabrication d'un parement auxiliaire pour la jauge à onglets

(Fig. 70)

La jauge à onglets **14** possède des caractéristiques pré-moulées qui permettent d'y attacher un parement auxiliaire **105**. Pour fabriquer le parement auxiliaire de la jauge à onglets **105**, il est recommandé de choisir une planche de bois lisse et droite de 3/4 po d'épaisseur, de 3 po de hauteur et de la longueur désirée.

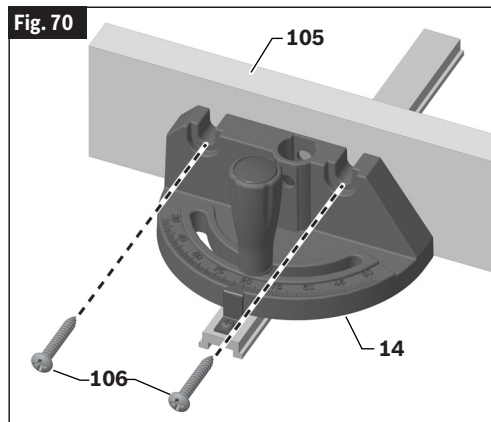
1. En utilisant la jauge à onglets **14** comme gabarit, percez des trous de 4 mm / 5/32 po de diamètre à travers la planche.
2. Attachez la planche à la jauge à onglets **14** à l'aide de deux vis à bois à tête ronde **106**, n° 12x1-1/2 po ou M6 x 35 mm (non fournies).

Assurez-vous les vis ne dépassent jamais au-dessus de la surface externe du parement auxiliaire.

Assurez-vous également que le parement auxiliaire ne fasse pas obstacle au fonctionnement de l'ensemble de barrière de protection **25**.

REMARQUE : Lorsque vous exécutez des coupes transversales biseautées, fixez le parement auxiliaire de façon à ce qu'il dépasse du côté droit de la jauge à onglets **14**, et installez la jauge à onglets **14** dans la rainure située à droite de la lame **32**.

Fig. 70



Utilisations basiques de la scie à table

Utilisation du bâton poussoir, du bloc poussoir et du guide auxiliaire

(Fig. 61, Fig. 71, Fig. 72, Fig. 73, Fig. 74)

Lorsque vous faites avancer un ouvrage en vue d'une coupe de refente, ne vous servez de vos mains que quand elles peuvent être à au moins 15 cm / 6 po de la lame 32. Un bâton poussoir 8 ou 93 ou un bloc poussoir 94 doit être utilisé à chaque fois que la coupe nécessiterait que vos mains soient placées à moins de 15 cm / 6 po de la lame 32.

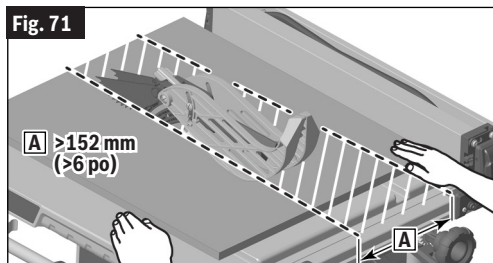
Appliquez la pression nécessaire pour faire avancer l'ouvrage sur la section comprise entre la lame de la scie 32 et le guide de refente 9. Votre autre main ne doit être utilisée que pour guider l'ouvrage quand elle est à au moins 6 po de la lame 32.

Lorsque vous utilisez un bâton poussoir 8 ou 93 ou un bloc poussoir 94, l'extrémité arrière de la planche doit être carrée. Un bâton poussoir 8 ou 93 ou un bloc poussoir 94 contre un bord de fuite irrégulier risquerait de glisser ou de pousser l'ouvrage à distance du guide de refente 9.

Pour couper un ouvrage de 3,2 mm / 1/8 po à 20 mm / 3/4 po d'épaisseur, utilisez le guide auxiliaire 95 ou le guide basculant 18.

Pour couper un ouvrage de 3,2 mm / 1/8 po d'épaisseur ou moins, utilisez le guide auxiliaire 95.

Fig. 71



Positionnez toujours le bâton poussoir 8 et appliquez la pression nécessaire pour faire avancer l'ouvrage parallèlement à la lame de scie. Assurez-vous que vous que le bâton poussoir 8 est positionné de telle sorte que la surface longue A est à plat contre le haut de l'ouvrage et que la surface courte B est totalement engagée avec l'extrémité de fuite de l'ouvrage. Si un ouvrage a une forme telle que le bâton poussoir 8 ne peut pas être totalement supporté de cette manière, un bloc poussoir ou un autre accessoire approprié doit être utilisé pour supporter cet ouvrage.

Faites avancer l'ouvrage à la main jusqu'à ce que son extrémité arrière soit à environ 2,5 cm / 1 po du bord avant de la table 13. Continuez à faire avancer l'ouvrage à l'aide du bâton poussoir 8 jusqu'à ce que la coupe soit terminée.

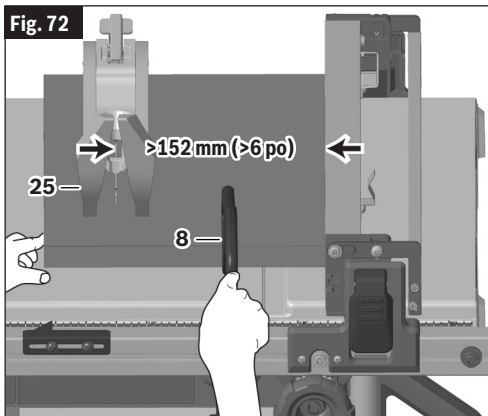
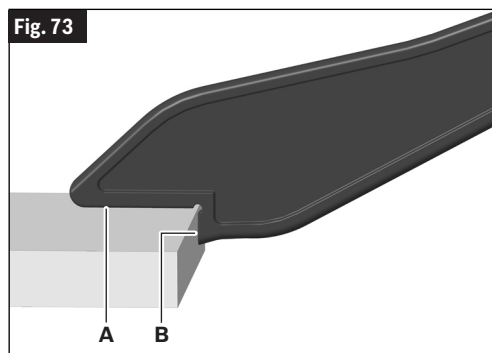


Fig. 73



Utilisation du bâton poussoir

(Fig. 72, Fig. 73)

⚠ AVERTISSEMENT Veillez à ce que la lame de scie en rotation n'entre jamais en contact avec le bâton poussoir. Tout contact entre la lame de scie en rotation et le bâton poussoir pourrait causer une blessure ou des dommages matériels.

N'utilisez le bouton poussoir 8 que quand la largeur de la coupe de refente est égale ou supérieure à 5 cm / 2 po. Si la largeur de la coupe de refente est inférieure à 5 cm / 2 po, il n'est pas possible de se servir du bâton poussoir 8 à cause du risque d'interférence par l'ensemble de barrière de protection 25.

Utilisations basiques de la scie à table

Utilisation du bloc poussoir avec le guide auxiliaire

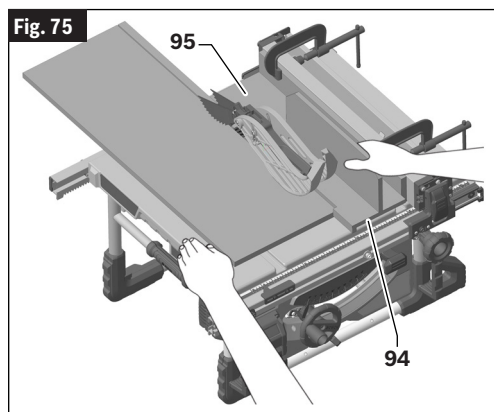
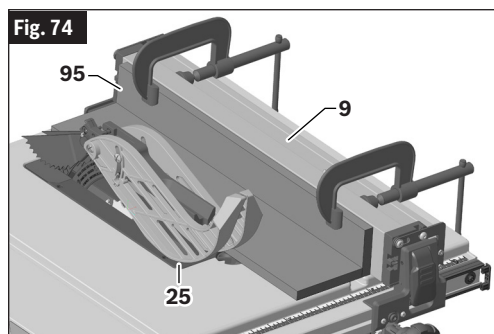
(Fig. 1, Fig. 74, Fig. 75)

Si la largeur d'une coupe de refente est inférieure à 5 cm / 2 po, utilisez le guide auxiliaire **95** et le bloc poussoir **94**. Le bâton poussoir **8** ne peut pas être utilisé à cause du risque d'interférence par l'ensemble de barrière de protection **25**.

Attachez le guide auxiliaire **95** au guide de refente **9** à l'aide de deux brides de fixation en forme de C.

- Avant le serrage, retirez le bâton poussoir **8** de son emplacement de stockage sur le guide de refente **9**.
- Ne serrez pas sur les pinces de stockage des bâtons poussoirs **63** ou sur le guide basculant rangé **18**.
- Évitez que la bride de fixation en forme de C n'entre en contact avec le guide basculant **18**.

Faites avancer l'ouvrage à la main jusqu'à ce que son extrémité arrière soit à environ 2,5 cm / 1 po du bord avant de la table **13**. Continuez à faire avancer l'ouvrage à l'aide du bloc poussoir en haut du guide auxiliaire jusqu'à ce que la coupe soit achevée.



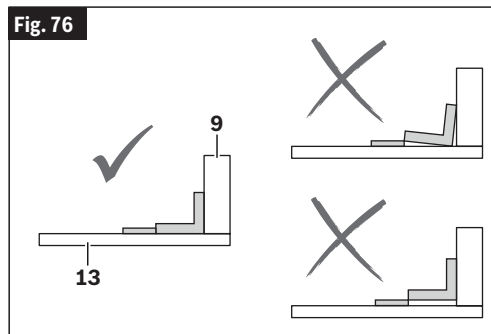
Utilisation du guide auxiliaire comme guide pour les ouvrages minces

(Fig. 1, Fig. 74, Fig. 76)

Lors de la découpe d'un ouvrage de 32 mm / 1/8 po d'épaisseur ou moins, il est important d'éviter que l'ouvrage ne se coince entre la table **13** et le bas du guide de refente **9**. L'utilisation appropriée du guide auxiliaire **95** ou du guide basculant **18** peut éliminer les espaces entre la table **13** et le bas du guide de refente **9**.

Utilisez le guide auxiliaire **95** comme guide pour ouvrage très fin et montez-le sur le guide de refente **9** de façon à ce qu'il n'y ait pas de jeu entre la surface inférieure du guide auxiliaire **95** et la table **13**. La Fig. 76 illustre la position correcte de la table **13** et du guide auxiliaire **95**.

Voir la section intitulée « Utilisation du guide basculant » à la page 112 pour son utilisation comme guide pour ouvrage très fin.

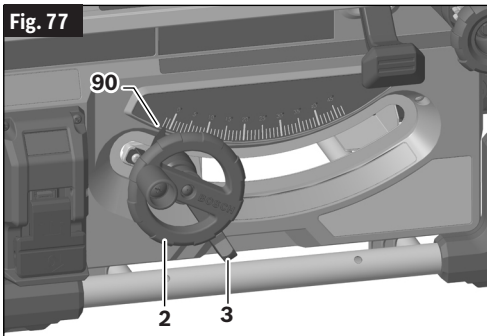


Utilisations basiques de la scie à table

Contrôle du biseau de la lame

(Fig. 77)

1. Desserrez la poignée de verrouillage du biseau de la lame **3** en la faisant tourner dans le sens contraire des aiguilles d'une montre.
2. Faites glisser le volant de réglage de la hauteur **2** jusqu'à ce que le pointeur de biseau **90** soit à l'angle souhaité.
3. Serrez la poignée de verrouillage du biseau de la lame **3** en la faisant tourner dans le sens des aiguilles d'une montre.



Utilisation du guide de refente

(Fig. 1, Fig. 71, Fig. 72, Fig. 78)

⚠ AVERTISSEMENT Pour assurer votre sécurité, prenez toujours les précautions suivantes et conformez-vous également aux consignes de sécurité figurant aux pages 65 à 72.

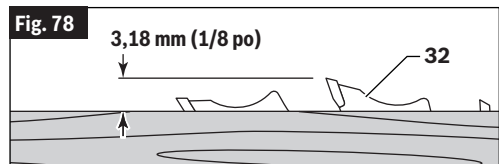
Les coupes longitudinales, les coupes longitudinales en biseau, le resciage et le feuillurage sont effectués à l'aide du guide de refente et du guide auxiliaire 95 avec support de l'ouvrage, de la pièce de soutien auxiliaire du guide de refente haut **104**, du guide basculant **18**, du bâton poussoir **8** ou du bloc poussoir **94**.

1. N'exécutez jamais de telles coupes à main levée (c'est-à-dire sans vous servir du guide de refente **9** ou d'autres accessoires, le cas échéant) parce que la lame **32** pourrait se coincer dans l'ouvrage et provoquer un choc en retour.
2. Verrouillez toujours bien le guide de refente **9** pendant que vous êtes en train de vous en servir.
3. Retirez la jauge à onglets **14** de la table **13** avant toute opération nécessitant l'utilisation du guide de refente **9**.
4. Veillez à ce que l'ensemble de barrière de protection **25** soit en place avant toute opération de coupe de bout en bout. Remplacez IMMÉDIATEMENT le dispositif de protection après avoir achevé toute opération de resciage ou des coupes de feuillures, de rainures ou de moulures.

Vérifiez fréquemment le mouvement du DISPOSITIF DE PROTECTION CONTRE LES CHOCS EN RETOUR **50** en faisant passer l'ouvrage le long du couteau séparateur (diviseur) **24** pendant que la scie est en position d'arrêt (OFF).

Tirez l'ouvrage VERS vous. Si les TAQUETS ne MORDENT pas dans l'ouvrage et s'ils ne RETIENNENT pas, il faut REMPLACER ou RÉAFFÛTER les taquets **50**. (Voir la section intitulée « Maintenance du dispositif de protection contre les chocs en retour » à la page 123).

5. Réglez la lame **32** de façon qu'elle s'étende d'environ 3,2 mm / 1/8 po au-dessus du haut de l'ouvrage. Une exposition plus importante à la lame **32** accroîtrait les risques liés à l'utilisation de l'outil.
6. Ne vous tenez pas directement en face de la lame **32** en raison des risques de CHOC EN RETOUR. Tenez-vous d'un côté ou de l'autre de la lame **32**.



Utilisations basiques de la scie à table

7. Gardez les mains à bonne distance de la lame **32** et de la trajectoire de coupe de la lame **32**.
8. Si la lame **32** se coince ou s'immobilise lors de la coupe, **METTEZ L'INTERRUPTEUR EN POSITION D'ARRÊT** avant de tenter de la dégager.
9. Ne tendez jamais le bras par-dessus la lame ou derrière la lame **32** afin de tirer l'ouvrage tout au long de la coupe, de soutenir des pièces longues ou lourdes, ou de retirer des fragments de matériaux venant d'être découpés, ou **POUR UNE QUELCONQUE AUTRE RAISON**.
10. Ne ramassez pas de petits fragments de matériaux coupés pouvant se trouver sur la table **13**. **RETIREZ-LES** en les poussant avec un long bâton pour les faire tomber de la table **13**. Sinon, ils risqueraient d'être projetés vers vous par l'arrière de la lame **32**.
11. Ne dégagez pas de petits fragments de matériau pouvant être **EMPRISONNÉS** dans le dispositif de protection de la lame pendant que la scie **EST EN MARCHÉ**. **VOUS RISQUERIEZ DE VOUS BLESSER LES MAINS** ou de provoquer un **CHOC EN RETOUR**. Arrêtez la scie et débranchez-la de la prise de courant. Après que la lame **32** se sera immobilisée, relevez le dispositif de protection et dégagez la pièce coupée.
12. Si ouvrage est voilé, posez-le de telle façon que sa face **CONCAVE** soit orientée vers le **BAS**. Ceci l'empêchera d'osciller pendant la coupe.
13. Lorsque la largeur de la coupe de refente est de 15 cm / 6 po ou plus, utilisez votre main droite pour faire avancer l'ouvrage. Utilisez votre main gauche uniquement pour guider l'ouvrage. Ne faites pas avancer l'ouvrage de la main gauche.

Lorsque la largeur de la coupe de refente est comprise entre 5 cm et 15 cm / 2 po et 6 po, utilisez le bâton poussoir **8** pour faire avancer l'ouvrage.

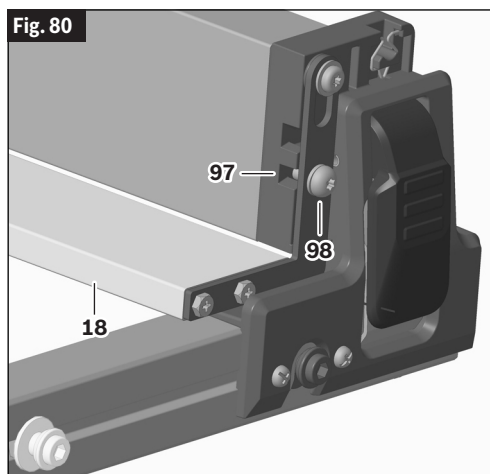
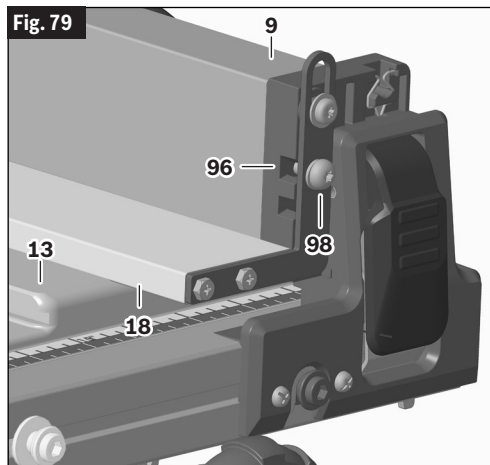
Si la largeur de la coupe de refente est inférieure à 5 cm / 2 po, il n'est pas possible de se servir du bâton poussoir **8** à cause du risque d'interférence par l'ensemble de barrière protection de la lame **25**. Au lieu d'utiliser le bâton poussoir, utilisez le guide auxiliaire et un bloc poussoir.
14. Lorsque la largeur de la coupe de refente place le guide de refente **9** hors de la table **13**, utilisez le guide basculant **18**, en position de support de l'ouvrage, pour soutenir l'ouvrage près du guide.

Utilisation du guide basculant

(Fig. 79, Fig. 80)

Le guide basculant **18** peut être réglé dans deux positions différentes. La position supérieure **96** est utilisée pour la découpe d'ouvrages fins lorsque le guide de refente **9** se trouve au-dessus de la table **13**. La position inférieure **97** est utilisée

pour le support de l'ouvrage lorsque le guide de refente **9** dé-passe la table **13** de plus de 5 cm / 2 po. Reportez-vous à la Fig. 79 et à la Fig. 80 à l'endroit approprié. Notez l'emplacement de la broche du guide basculant **98** dans chaque figure.



Levier de verrouillage des rails

(Fig. 81)

Le levier de verrouillage des rails **6** verrouille les rails du guide de refente **10** en place, empêchant le déplacement du guide de refente **9** pendant la coupe.

Pour verrouiller le levier de verrouillage des rails 6, poussez-le vers le bas et vers l'arrière de la scie.

Pour déverrouiller le levier de verrouillage des rails 6, tirez-le vers l'avant de la scie et vers le haut.

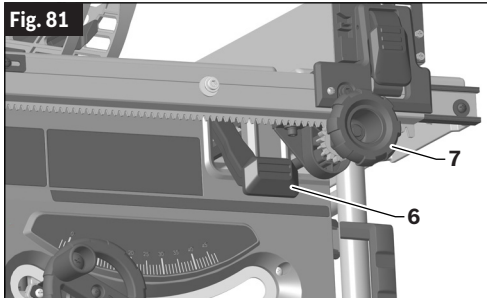
Utilisations basiques de la scie à table

REMARQUE : Lors de la coupe de refente, verrouillez toujours le levier de verrouillage des rails **6**.

Bouton de réglage des rails

(Fig. 81)

Le bouton de réglage des rails **7** permet d'effectuer des réglages plus petits du guide de refente **9**. Avant d'utiliser le bouton de réglage des rails **7**, assurez-vous que le levier de verrouillage des rails **6** est déverrouillé.



Coupe en long

(Fig. 1, Fig. 82)

La coupe en long est la coupe d'un morceau de bois dans le sens du grain, c'est-à-dire dans le sens de la longueur.

Positionnez le guide de refente **9** en fonction de la largeur de coupe de refente désirée et verrouillez le guide de refente en place. Avant de commencer la coupe de refente :

- Assurez-vous que le guide de refente **9** est parallèle à la lame de scie.
- Assurez-vous que le couteau séparateur **24** est correctement aligné sur la lame de scie.

- Assurez-vous que le dispositif de protection contre le choc en retour **26** fonctionne correctement.

Lorsque la largeur de la coupe de refente est telle que le guide de refente **9** est placé hors de la table **13**, utilisez le guide basculant **18**, en position de support de l'ouvrage, pour soutenir l'ouvrage à côté du guide basculant **18**.

Utilisez toujours un support d'ouvrage approprié lorsque vous découpez de LONGUES PLANCHES ou des PANNEAUX DE GRANDES DIMENSIONS.

Coupe en long biseauté

Lorsque vous effectuez des coupes en long biseautées sur des ouvrages de 15 cm / 6 po ou moins de large, utilisez seulement le guide de refente **9** sur le côté droit de la lame **32**. Vous disposerez ainsi de plus de place entre le guide de refente **9** et la lame **32** pour vous servir du bâton poussoir **8**. Si le guide de refente **9** est monté à gauche, l'ensemble de barrière de protection **25** pourrait vous empêcher d'utiliser le bâton poussoir **8** correctement.

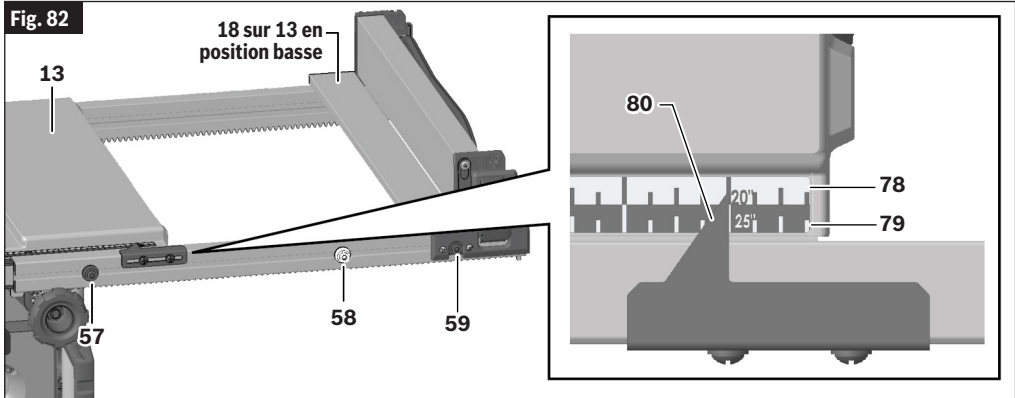
Utilisation du pointeur du guide de refente

(Fig. 82)

Le pointeur du guide de refente **80** montre la distance entre la lame **32** et le guide de refente **9**.

Goupilles d'indexation argentées 58 du guide de refente : Lorsque le guide de refente **9** se trouve sur les goupilles d'indexation argentées **57** du guide de refente, l'échelle argentée supérieure **78** indique la position du guide de refente **9** par rapport au côté droit de la lame **32**. Dans cette position, le guide de refente **9** peut être utilisé de 0 cm à 50 cm / de 0 à 20 po.

Goupilles d'indexation noires droite 59 du guide de refente : Lorsque le guide de refente **9** se trouve sur les goupilles noires d'indexation de droite **59** du guide de refente, l'échelle noire inférieure **79** indique la position du guide de refente **9** par rapport au côté droit de la lame **32**. Dans cette position, le guide de refente **9** peut être utilisé de 127 mm à 635 mm / de 5 po à 25 po.



Utilisations basiques de la scie à table

Utilisation de la jauge à onglets

AVERTISSEMENT Pour assurer votre sécurité, prenez toujours les précautions suivantes et conformez-vous également aux consignes de sécurité figurant aux pages 3 à 9.

La jauge à onglets **14** est utilisée pour effectuer des coupes transversales, des coupes d'onglets, des coupes en biseau, des coupes d'onglets composées ou des coupes de feuillures à l'extrémité d'une pièce étroite.

N'exécutez jamais de telles coupes à main levée (c'est-à-dire sans vous servir de la jauge à onglets **14** ou d'autres accessoires) parce que la lame **32** pourrait se coincer dans la coupe et provoquer un choc en retour ou vous happer le doigt ou la main dans la lame **32**.

Verrouillez toujours bien la jauge à onglets **14** lorsque vous êtes en train de vous en servir.

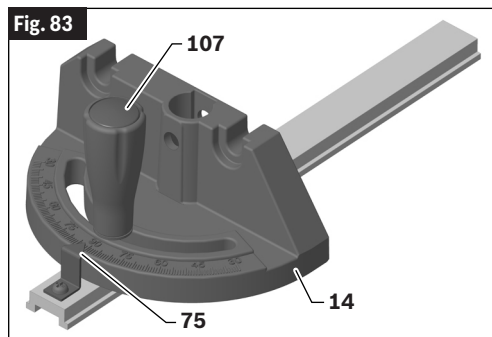
Retirez le guide de refente de **9** la table **13** avant toute opération faisant appel à la jauge à onglets **14**.

Lors d'une coupe transversale, et si la lame **32** est réglée à un angle de de 90° par rapport à la table **13**, la jauge à onglets **14** peut être utilisée dans l'une quelconque des fentes de la jauge à onglets **73** sur la table **13**. Lors d'une coupe transversale, et si la lame **32** est inclinée, utilisez la fente de la jauge à onglets **73** du côté droit de la table **13**, à l'endroit où la lame **32** est inclinée dans la direction opposée à vos mains et à la jauge à onglets **14**.

Réglage de l'angle d'onglet

(Fig. 83)

Desserrez le bouton de verrouillage de la jauge à onglets **107** sur la jauge à onglets **14** en le tournant dans le sens inverse des aiguilles d'une montre et réglez le corps de la jauge à onglets **14** de façon à ce que le pointeur de la jauge à onglets **75** soit à l'angle souhaité. Serrez ensuite le bouton de verrouillage de la jauge à onglets **107** en le tournant dans le sens des aiguilles d'une montre.



Coupe transversale

(Fig. 1, Fig. 83, Fig. 84)

Une coupe transversale est une coupe de bois à 90° pratiquée contre le grain, c'est-à-dire une coupe perpendiculaire à la fois au bord et au côté plat de l'ouvrage. Elle se fait à l'aide de la jauge à onglets **14** réglée à 90° .

Assurez-vous le système Smart Guard **11** est installé pour toutes les opérations de « coupe de bout en bout » (lorsque la lame **32** coupe l'ouvrage sur toute son épaisseur). Remettez le système Smart Guard **11** IMMÉDIATEMENT en place après avoir effectué des coupes de rainures ou de feuillures.

Réglez la lame **32** de façon à ce qu'elle s'étende d'environ 3,2 mm / 1/8 po au-dessus du haut de l'ouvrage. Une exposition plus importante à la lame **32** accroîtrait les risques liés à l'utilisation de l'outil.

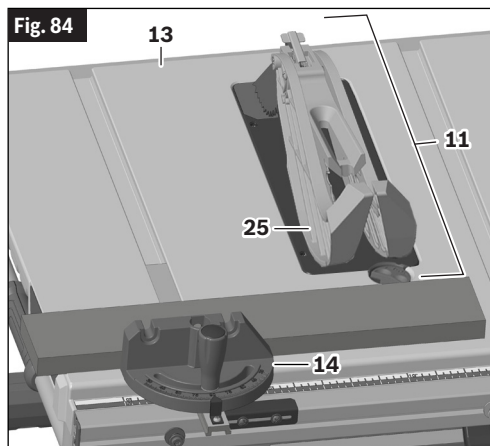
Ne vous tenez pas directement en face de la lame **32** en raison des risques de CHOC EN RETOUR. Tenez-vous d'un côté ou de l'autre de la lame **32**.

Gardez les mains à bonne distance de la lame **32** et hors de la trajectoire de coupe de la lame **32**.

Si la lame **32** se coincé ou s'immobilise lors de la coupe, mettez l'INTERRUPTEUR **1** EN POSITION D'ARRÊT avant de tenter de dégager la lame **32**.

Ne tendez jamais le bras par-dessus la lame ou derrière la lame **32** de tirer l'ouvrage tout au long de la coupe, de soutenir des pièces longues ou lourdes, ou de retirer des fragments de matériau venant d'être coupés, ou POUR UNE QUELCONQUE AUTRE RAISON.

Ne ramassez pas de petits fragments de matériaux coupés pouvant se trouver sur la table **13**. RETIREZ-LES en les poussant avec un long bâton pour les faire tomber de la table **13**. Sinon, ils risqueraient d'être projetés vers vous par l'arrière de la lame **32**.



Utilisations basiques de la scie à table

Ne dégagez pas de petits fragments de matériau coupés pouvant être EMPRISONNÉS dans l'ensemble de barrière de protection **25** ou se trouver à proximité de celui-ci pendant que la scie EST EN MARCHÉ. VOUS RISQUERIEZ DE VOUS BLESSER LES MAINS ou de provoquer un REBOND. Mettez la scie hors tension. Après que la lame **32** se sera immobilisée, relevez l'ensemble de barrière de protection **25** et dégagez le morceau coincé.

Si l'ouvrage est déformé, posez-le de façon à ce que sa face CONCAVE soit orientée vers le BAS. Ceci évitera que l'ouvrage ne se déplace en se balançant pendant la coupe.

L'échelle graduée de la jauge à onglets **14** assure une précision suffisante pour la plupart des travaux de menuiserie ordinaires. Pour des travaux de très haute précision, par exemple une coupe angulaire, faites une coupe d'essai, et vérifiez-en la précision à l'aide d'une équerre exacte ou d'un rapporteur.

Si nécessaire, le corps de la jauge à onglets **14** peut être pivoté légèrement afin de compenser toute inexactitude.

SUGGESTION : L'espace entre la barre de la jauge à onglets **14** et la fente de la jauge à onglets **73** dans la table **13** est maintenu à un minimum pendant la fabrication. Pour obtenir la précision la meilleure possible, lorsque vous utilisez la jauge à onglets **14**, « privilégiez » toujours un côté de la rainure de la jauge à onglets **73** dans la table **13**. Ne déplacez pas la jauge à onglets **14** latéralement pendant la coupe. Gardez plutôt un côté de la barre de la jauge à onglets **14** contre un côté de la rainure de la jauge à onglets **73**.

SUGGESTION : Collez un morceau de papier de verre sur la face du corps de la jauge à onglets **14**. Ceci évitera que l'ouvrage ne se déplace subrepticement pendant la coupe.

La à onglets **14** peut être utilisée dans l'une quelconque des rainures de la jauge à onglets **73** de la table **13**.

Assurez-vous que la jauge à onglets **14** est verrouillée.

Lorsque vous utilisez la jauge à onglets **14** dans la rainure de GAUCHE de la jauge à onglets **73**, maintenez fermement l'ouvrage contre le corps de la jauge à onglets **14** avec votre main gauche et saisissez le bouton de verrouillage de la jauge à onglets **107** avec votre main droite.

Lorsque vous utilisez la rainure de la jauge à onglets **73** de DROITE, tenez l'ouvrage de la main droite et saisissez le bouton de verrouillage de la jauge à onglets **107** de la main gauche.

Coupes transversales répétitives

(Fig. 85)

⚠ AVERTISSEMENT N'utilisez JAMAIS le guide de refente comme butée longitudinale. La pièce coupée peut se coincer entre le guide de refente et la lame, provoquant un CHOC EN RETOUR.

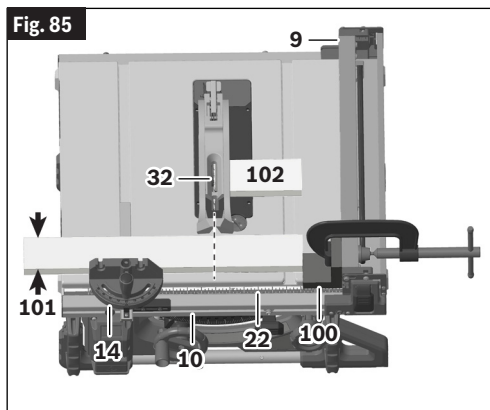
⚠ AVERTISSEMENT Montez le bloc de parement en face de la lame de manière à ce que l'ouvrage n'entre pas en contact avec la lame et le bloc de parement. L'ouvrage peut se coincer entre le bloc de parement et la lame, ce qui provoque un choc en retour.

Une coupe transversale répétitive est une coupe d'un certain nombre de pièces de la même longueur sans qu'il soit besoin de marquer chaque pièce. Lorsque vous faites des coupes répétitives sur un ouvrage très long, assurez-vous qu'il est bien soutenu.

Pour effectuer des coupes transversales répétitives :

1. Lorsque vous réalisez des coupes répétitives, attachez solidement le bloc de parement au guide de refente **9** en utilisant une bride de fixation. (Voir « Fabrication du bloc de parement » à la page 107.) Choisissez une bride de fixation qui n'interfère pas avec l'ouvrage après la fixation du bloc de parement **100**.
2. Faites glisser le guide de refente **9** (avec le bloc de parement) jusqu'à une position qui vous donne la longueur de planche que vous voulez répéter, et verrouillez le guide de refente **9** en place.

REMARQUE : Si vous utilisez l'échelle graduée du guide de refente **22** sur le rail avant **10** de la scie pendant le montage, déplacez le guide de refente **9** de 76,2 mm / 3 po de plus afin de tenir compte de la profondeur du bloc de parement **100**.



Utilisations basiques de la scie à table

- Faites glisser l'ouvrage le long de la jauge à onglets **14** jusqu'à ce qu'il entre en contact avec le bloc de parement **100**. Tenez fermement l'ouvrage.
- Faites un essai préliminaire (prtique). Une fois le bloc-piles **29** déconnecté, déplacez la jauge à onglets **14** et l'ouvrage le long du bloc de parement **100** jusqu'à ce qu'il entre en contact avec la lame immobile **32**. (La lame **32** est placée 3,2 mm / 1/8 po plus haut que la pièce.)
REMARQUE : L'ouvrage DOIT avoir être séparé du bloc de parement **100** AVANT d'entrer en contact avec la lame **32**. La capacité de tronçonnage **101** pour ces coupes est de 127 mm / 5 po avec une pièce de 19 mm / 3/4 po ou de 105 mm / 4-1/8 po avec un ouvrage de 38 mm / 1-1/2 po. Si le test préliminaire est couronné de succès, passez à l'étape suivante.
- Insérez le bloc-piles **29**, mettez la scie en marche et effectuez la coupe. Mettez la scie hors tension.
- Après l'arrêt de la lame **32**, retirez la pièce coupée avant de couper la pièce suivante.

Coupe d'onglets

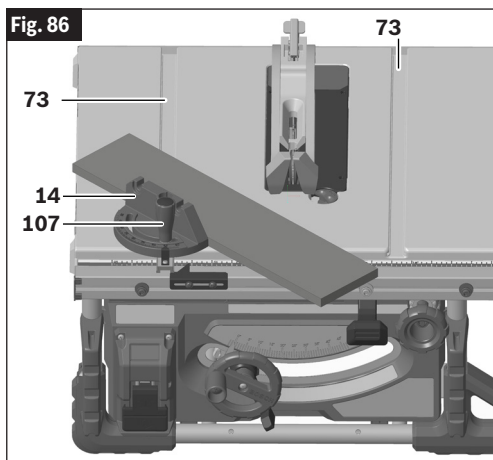
(Fig. 86)

On appelle coupe d'onglets le découpage à un angle autre que 90° par rapport au bord de la pièce en bois. Suivez la même méthode que pour une coupe transversale.

Réglez la jauge à onglets **14** selon l'angle voulu et verrouillez-la en position. (Voir la section intitulée « Réglage de l'angle d'onglet » à la page 114.)

La jauge à onglets **14** peut être utilisée dans l'une quelconque des rainures de la jauge à onglets **73** de la table.

Lorsque vous utilisez la jauge à onglets **14** dans la rainure de GAUCHE de la jauge à onglets **73**, maintenez fermement



l'ouvrage contre le corps de la jauge à onglets **14** avec votre main gauche et saisissez le bouton de verrouillage de la jauge à onglets **107** avec votre main droite.

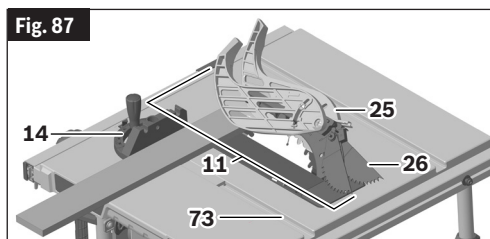
Lorsque vous utilisez la rainure de la jauge à onglets **73** de DROITE, tenez l'ouvrage de la main droite et saisissez le bouton de verrouillage de la jauge à onglets **107** de la main gauche.

Coupe transversale en biseau

(Fig. 87)

La coupe transversale en biseau est une coupe transversale dans laquelle la pièce en bois est également coupée à un angle de biseau autre que 90° par rapport au côté plat du bois.

- Réglez la lame selon l'angle désiré.
- Servez-vous de la jauge à onglets **14** placée dans la rainure de la jauge à onglets **73** située à DROITE de la lame **32**.



Coupe angulaire composée

La coupe angulaire composée est la combinaison d'une coupe angulaire et d'une coupe transversale en biseau. La coupe est réalisée à un angle autre que 90° par rapport au bord de la pièce en bois aussi bien que par rapport à sa surface plate.

Réglez la jauge à onglets **14** et la lame **32** selon l'angle désiré, et assurez-vous que la jauge à onglets **14** est bien verrouillée.

Utilisations basiques de la scie à table

Coupe partielle

(Fig. 1, Fig. 57, Fig. 68, Fig. 88)

⚠ AVERTISSEMENT Fixez fermement la face auxiliaire au guide de refente sans obstruer la trajectoire de l'ouvrage. Une fixation incorrecte peut entraîner une instabilité de l'ouvrage et un choc en retour.

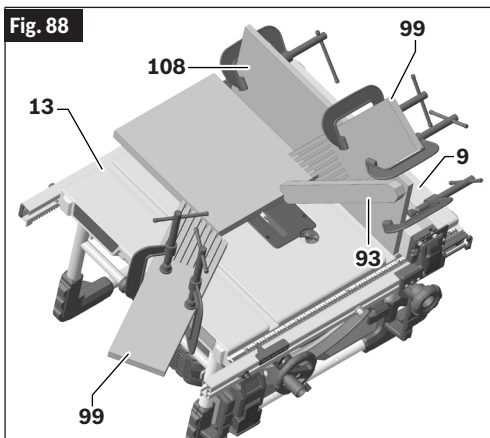
Utilisez les planches à languettes **99** pour toutes les opérations de « sciage non traversant » (lorsque l'ensemble de barrière de protection **25** et le dispositif de protection contre les chocs en retour **26** doivent être retirés). Les planches à languettes **99** servent à maintenir l'ouvrage en contact avec le guide de refente **9** et la table **13**, et à prévenir les chocs en retour.

Veillez à bien fixer la planche de soutien plate **108** à l'aide de brides de fixation en forme de C, ou le parement auxiliaire haut **104** du guide de refente à l'aide de brides de fixation de joint universelles, comme illustré à la Fig. 57 à la page 103, pour éviter d'endommager le guide de refente **9**, pour assurer la stabilité de l'ouvrage et pour prévenir le risque de choc en retour.

Ajoutez une planche de soutien plate **108** de 20 cm / 8 po de haut ou un parement auxiliaire haut **104** pour guide de refente sur le guide de refente **9**, sur toute la longueur du guide de refente **9**, comme illustré à la Fig. 88.

Montez les planches à languettes **99** sur la planche de soutien plate **108** ou la pièce de soutien auxiliaire haute **104** du guide de refente, et sur la table **13** suivant l'illustration, de façon à ce que les bords d'attaque des planches à languettes **99** soutiennent l'ouvrage pendant toute la durée de la coupe, jusqu'à ce que vous ayez entièrement dégagé l'ouvrage de l'élément tranchant (lame de scie, fer à rainurer, etc.) en le poussant à l'aide d'un bâton poussoir **93**, comme dans le cas d'une coupe en long.

Fig. 88



Avant de commencer à scier, mettez la scie hors tension et réglez l'élément tranchant en dessous de la surface de la table **13**.

- Installez les planches à languettes **99** de façon à ce qu'elles fassent pression sur l'ouvrage. Assurez-vous qu'elles sont bien fixées en place.
- Assurez-vous, en faisant des essais, que les languettes à languettes **99** préviendront tout choc en retour éventuel.

On ne se sert pas de planches à languettes **99** pour les opérations de coupe partielle faisant appel à la jauge à onglets **14**.

Remettez le système Smart Guard **11** en place dès la fin de l'opération de coupe partielle.

Réalisation de feuillures

(Fig. 87, Fig. 89, Fig. 90)

⚠ AVERTISSEMENT Fixez fermement la pièce de soutien auxiliaire sur le guide de refente sans obstruer la trajectoire de l'ouvrage. Une fixation incorrecte peut entraîner une instabilité de l'ouvrage et un choc en retour.

Une FEUILLURE est une coupe d'une section du coin d'un morceau de matériau pratiquée le long du bord ou de l'extrémité de ce morceau de matériau.

La réalisation d'une FEUILLURE nécessite l'exécution de coupes partielles dans le matériau de l'ouvrage. Le système Smart Guard **11** doit donc être retiré.

1. Retirez l'ensemble de barrière de protection **25** et le dispositif de protection contre les chocs en retour **26**.
2. Pour réaliser des feuillures le long d'un bord (le long de la pièce) :
 - Fixez le parement auxiliaire haut **104** du guide de refente (voir la section intitulée « Fabrication d'un parement auxiliaire haut pour le guide de refente » à la page 41) au guide de refente **9** à l'aide de deux brides de fixation de guide pour scie à table, comme illustré à la Fig. 90. La hauteur de la pièce de soutien auxiliaire **104** du guide de refente doit être égale à la largeur de la pièce à usiner.
 - Ajustez le guide de refente **9** et la lame **32** aux dimensions requises.
 - Réalisez la première coupe avec la planche à plat sur la table **13**, en utilisant la configuration illustrée à la Fig. 90.
 - Faites la deuxième coupe en positionnant l'ouvrage sur son flanc.

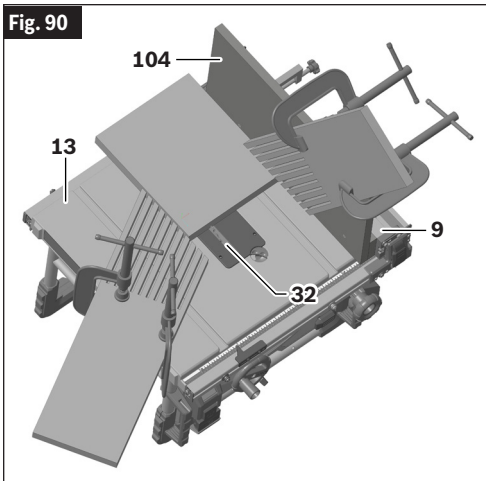
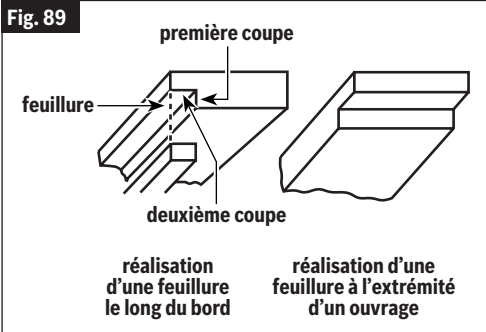
Prenez toutes les précautions et suivez toutes les instructions et consignes de sécurité applicables aux de

Utilisations basiques de la scie à table

coupe en long ou de refente, y compris en utilisant des planches à languettes, le bâton pousseur **8**, etc.

- Pour réaliser une feuillure en travers d'une extrémité, pour un ouvrage de 267 mm / 10-1/2 po ou plus étroit :
 - Effectuez la coupe de la feuillure avec la planche à plat sur la table **13**.
 - En vous servant de la jauge à onglets **14** sur laquelle vous aurez fixé une planche d'appoint, suivez les instructions relatives à la coupe transversale en faisant des coupes successives en travers de la largeur de l'ouvrage afin d'obtenir la profondeur de coupe désirée. **NE VOUS SERVEZ PAS** du guide de refente **9** pour exécuter des feuillures à l'extrémité.
- INSTALLEZ LE SYSTÈME SMART GUARD **11** TOUT DE SUITE APRÈS AVOIR ACHEVÉ L'OPÉRATION DE RÉALISATION DE FEUILLURES.

Il est également possible de réaliser des feuillures en une seule passe à l'aide d'un fer à rainurer.



Utilisations basiques de la scie à table

Coupe de rainures

Le mode d'emploi fourni avec ces accessoires pour utiliser la scie avec ces lames à rainurer contient des instructions pour l'utilisation de la scie avec ces accessoires.

UTILISEZ TOUJOURS UN ÉLÉMENT AMOVIBLE POUR TABLE BOSCH APPROPRIÉ 12 FIGURANT SUR LA LISTE DE LA SECTION INTITULÉE « Attachements et Accessoires ». (Voir Page 124).

Installation d'un ensemble de lames à rainurer

⚠ AVERTISSEMENT Pour réduire les risques de blessures, débranchez toujours le bloc-piles avant de changer la lame.

⚠ AVERTISSEMENT Pour réduire les risques de blessures, utilisez toujours l'élément amovible de table pour lames de rainurage Bosch n° TS0801. Ne faites jamais de coupes de rainures sans avoir installé cet élément amovible. N'inclinez jamais de lames à rainurer à un angle de biseau autre que l'angle vertical de 0°. Suivez tous les avertissements et toutes les instructions montrés ici ainsi que ceux qui accompagnent votre ensemble de lames à rainurer. Le non-respect de ces avertissements pourrait causer des blessures corporelles graves.

⚠ AVERTISSEMENT Pour réduire le risque de blessure, n'utilisez pas d'ensembles de lames à rainurer de plus de 15 cm : 6 po de diamètre. Cette scie n'est pas conçue pour accepter des lames à rainurer de plus grandes tailles.

Un ensemble de lames à rainurer est un système accessoire qui est utilisé pour créer des rainures partielles ou faire des coupes à recouvrement sur des ouvrages. Ces outils sont utilisés couramment dans le cadre de la construction de meubles et d'armoires. À l'issue des coupes de rainures sur des ouvrages, ceux-ci peuvent être assemblés de façon sécurisée. Cette scie à table permet d'effectuer des coupes de rainures d'un maximum de 12,7 mm / 1/2 po de large en une seule passe.

Utilisation d'ensembles de lames à rainurer empilées

(Fig. 91, Fig. 92)

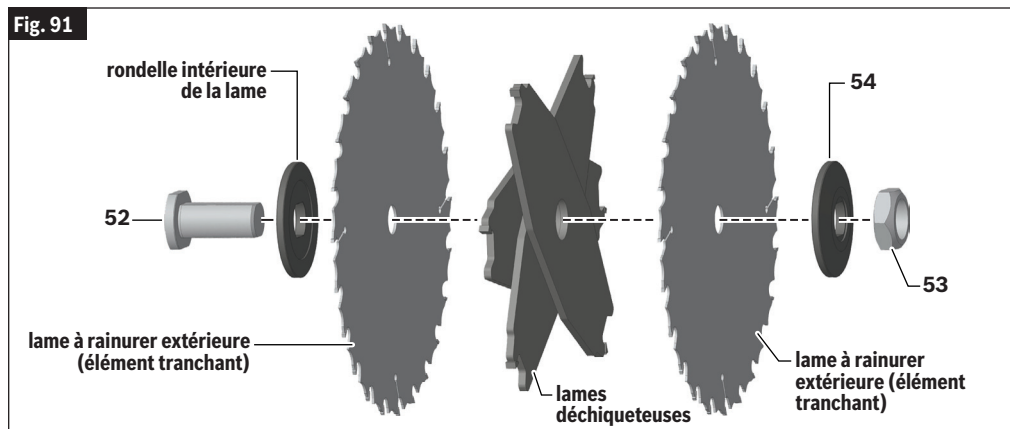
⚠ AVERTISSEMENT Pour réduire le risque de blessure ou de dommage matériel, lisez et suivez les instructions et les consignes de sécurité jointes à l'ensemble de lames à rainurer avant de commencer à les utiliser.

⚠ AVERTISSEMENT Pour réduire le risque de blessures, n'utilisez jamais une lame à rainurer unique pour une coupe de bout en bout normale. N'utilisez jamais de lames déchiqueteuses sans que les deux couteaux extérieurs ne soient installés. Lisez et suivez toutes les instructions et les consignes de sécurité accompagnant l'ensemble de lames à rainurer.

⚠ AVERTISSEMENT Pour réduire le risque de blessures, ne faites jamais passer vos mains au-dessus des lames à rainurer. Les coupes de rainurage sont des coupes partielles (également appelées coupes aveugles). À de nombreux moments, il n'est pas possible de voir les couteaux pendant la coupe. (Voir la section intitulée « Coupe partielle » à la page 117 pour des instructions sur le sciage non traversant.)

⚠ AVERTISSEMENT Pour réduire le risque de blessures, ne réalisez jamais de coupes à main levée. L'ouvrage doit être tenu contre le guide de refente de la scie ou contre la jauge à onglets pendant qu'on le fait avancer. Dans la mesure du possible, utilisez des bâtons pousseurs et des blocs pousseurs pour couper. (Voir la section intitulée « Utilisation du bâton pousseur, du bloc pousseur et du guide auxiliaire » à la page 109.) Utilisez toujours des planches à languettes attachées à la table ou au guide de refente. (Voir la section intitulée « Coupe partielle » à la page 117.) Lors de coupes transversales, maintenez fer-

Fig. 91



Utilisations basiques de la scie à table

mement l'ouvrage contre la jauge à onglets. (Voir la section intitulée « Coupe transversale » à la page 114).

REMARQUE : Ces instructions s'appliquent à la plupart des ensembles de lames à rainurer empilées standard. N'utilisez pas les lames à a rainurer si les instructions du fabricant ne sont pas les mêmes que celles qui sont indiquées ci-dessous.

1. Déconnectez le bloc-piles **29**.
2. Élevez la lame de la scie **32** à sa hauteur maximum.
3. Retirez l'ensemble de barrière de protection **25** et le dispositif de protection contre les chocs en retour **26**. (Voir la section intitulée « Fixation du système Smart Guard » à la page 81.)
4. Retirez l'élément amovible de table standard **12**.
5. Abaissez le couteau séparateur **24** jusqu'à sa position la plus basse et verrouillez-la dans cette position.
6. Retirez l'écrou de fixation de l'arbre **53**, la rondelle extérieure **54** et la lame de scie **32** de la tige de l'arbre **52**. Laissez la rondelle intérieure **55** sur la tige de l'arbre **52**.
7. Installation d'un ensemble de lames à rainurer empilées :
 - Placez les parties désirées de l'ensemble de lames à rainurer sur la tige de l'arbre **52**.
 - Remettez en place la rondelle extérieure **54** et serrez fermement l'écrou de fixation de l'arbre **53** sur la tige de l'arbre **52**.
8. Positionnement des lames à rainurer et des lames déchiqueteuses :
 - Pour des coupes de 6 mm / 1/4 po de large, placez les deux lames de rainurage extérieures (éléments

tranchants) sur la tige. Les deux lames de rainurage extérieures peuvent être différentes ; regardez les informations pouvant figurer sur les lames et lisez les instructions du fabricant pour effectuer une installation correcte.

- Pour les coupes plus larges jusqu'à 12,7 mm / 1/2 po au maximum), des lames déchiqueteuses et des entretoises peuvent être placées seulement entre les lames extérieures (éléments tranchants).

REMARQUE : L'écrou de fixation de l'arbre **53** doit être complètement engagé sur les filets de la tige de l'arbre **52**. Avec cette scie, ne dépassez pas une largeur empilée de 12,7 mm / 1/2 po.

9. Abaissez les lames au-dessous du haut de la table **13** et insérez l'élément amovible de la table pour rainurage Bosch **109**. Élevez les couteaux jusqu'à la profondeur de coupe désirée (au-dessus de l'élément amovible). Assurez-vous que le bloc-piles de l'outil **29** n'est pas branché dans une prise de courant, puis faites tourner les couteaux à la main en prenant toutes les précautions nécessaires pour vérifier que tous les composants sont solidement en place et qu'il n'existe pas d'interférences.
10. Réinsérez le bloc-piles **29** dans la scie.
11. Utilisez des morceaux de bois résiduels pour pratiquer vos coupes de rainurage, et ajustez la hauteur en conséquence.

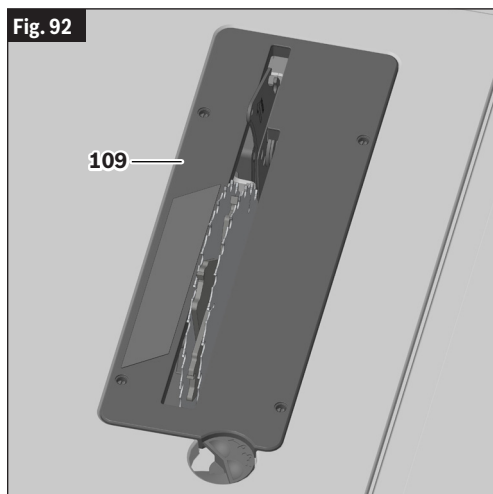
REMARQUE : Étant donné que les coupes de rainurage sont des coupes partielles seulement, la jauge à onglets **14** peut être utilisée avec le guide de refente **9** verrouillé en place. Ceci est utile lors de la réalisation de coupes transversales de rainurage répétées depuis les extrémités de plus d'un ouvrage. Chaque pièce est tenue contre la jauge à onglets **14**, et son extrémité glisse le long du guide de refente **9** à une distance fixée à l'avance.

En fonction de la profondeur finale de la coupe et/ou de la densité du matériau, il peut être nécessaire de réaliser de multiples coupes en commençant par de petites profondeurs (de 6 mm / 1/4 po à 13 mm / 1/2 po), et en progressant jusqu'à la profondeur finale. Lors de la réalisation de nombreuses coupes de rainurage répétées, inspectez périodiquement les pièces pour vous assurer que la profondeur de coupe est maintenue.

Ensembles de lames à rainurer réglables ou oscillantes

⚠ AVERTISSEMENT Pour réduire le risque de blessure, n'utilisez pas d'ensembles de lames à rainurer réglables ou « oscillantes » sur cette scie. Des ensembles de lames à rainurer réglables peuvent facilement être placés dans des positions pouvant

Fig. 92



Utilisations basiques de la scie à table

faire obstacle au fonctionnement de certains composants de cette scie.

Techniques de coupe spéciales

⚠ AVERTISSEMENT Ne tentez pas d'exécuter des coupes qui ne sont pas mentionnées dans ce mode d'emploi à moins de très bien connaître la marche à approprié suivre, y compris les méthodes de fixation.

Cette scie est un outil multi-usages pouvant exécuter un très grand nombre de coupes hautement spécialisées qu'il n'est pas possible d'aborder dans ce mode d'emploi.

Vous pouvez consulter dans votre bibliothèque locale divers livres consacrés aux techniques de menuiserie, tels que : « The Complete Book of Stationary Power Tool Techniques », par R.J. DeChristoforo, ou « Table Saw Techniques » par R. Cliffe.

Maintenance et lubrification

⚠ AVERTISSEMENT Pour éviter tout risque d'accident, débranchez toujours le bloc-piles de l'outil avant de le nettoyer ou d'effectuer une quelconque opération de maintenance.

Service après-vente

⚠ AVERTISSEMENT Toutes les réparations, électriques ou mécaniques, ne doivent être entreprises que par des techniciens qualifiés. Adressez-vous au Centre de service usine ou au Centre de service après-vente agréé le plus proche, ou à un autre service de réparation compétent. N'utilisez que des pièces de rechange identiques. L'emploi de toute autre pièce pourrait créer des risques.

Entretien des lames

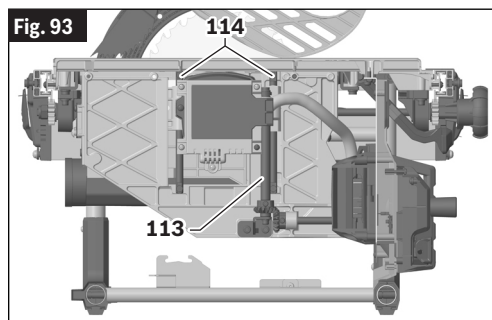
Les lames s'émousent au bout d'un certain temps, même en conséquence de la coupe de bois ordinaire. Si vous constatez que vous devez forcer la scie vers l'avant pour couper au lieu d'avoir simplement à la guider pendant la coupe, cela signifie probablement que la lame est émoussée ou enduite de poix végétale.

Lorsque vous voulez nettoyer la lame **32** pour en retirer la gomme et la poix végétale **32**, déconnectez d'abord le bloc-piles et retirez la lame **32**. Rappelez-vous que les lames sont conçues pour couper ; manipulez-les donc avec précaution. Essuyez la lame **32** avec un produit de retrait de la gomme et de la poix végétale ou un solvant similaire pour en détacher la gomme et la poix végétale. Sauf si vous avez de l'expérience dans l'affûtage des lames, nous vous recommandons de ne pas essayer.

Lubrification de l'outil

(Fig. 93)

Une maintenance préventive effectuée par une personne non autorisée pourrait entraîner un placement incorrect de fils et de composants internes, ce qui pourrait être très dangereux. Nous recommandons que toutes les réparations de cet outil soient effectuées par un centre de service après-vente usine de Bosch ou par un poste de service agréé par Bosch.



Tous les engrenages ont été complètement lubrifiés à l'usine. Cependant, au bout de six mois à un an, en fonction de l'intensité d'utilisation, il est conseillé de rapporter votre outil dans le centre de service après-vente Bosch le plus proche ou dans un centre de réparations agréé par Bosch pour effectuer les opérations de maintenance suivantes :

- Nettoyage et inspection des pièces.
- Nouvelle lubrification à l'aide de lubrifiant propre.
- Vérification du système électrique.
- Toutes les réparations nécessaires.

Lubrifiez périodiquement les pièces mobiles, telles que les engrenages d'élevation **111**, en les pulvérisant avec du silicone ou en utilisant de l'huile légère. N'utilisez pas de graisse car elle a tendance à attirer et à retenir la sciure.

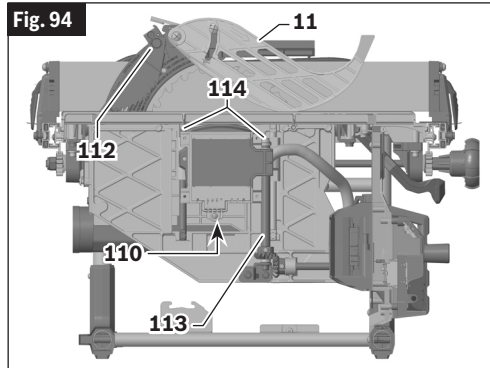
Nettoyage

(Fig. 94)

⚠ MISE EN GARDE Certains agents de nettoyage et solvants peuvent endommager les pièces en plastique. Citons notamment : l'essence, le tétrachlorure de carbone, les solvants de nettoyage chlorés, l'ammoniac, et les détergents ménagers contenant de l'ammoniac. Si vous évitez d'employer ces types d'agents de nettoyage, vous réduirez au minimum le risque d'endommagement.

⚠ MISE EN GARDE Ne nettoyez pas l'intérieur des ouvertures du moteur avec des objets pointus. Des dommages à l'électronique ou au câblage peuvent se produire.

Ne laissez pas la sciure ou les débris s'accumuler sur le moteur, l'interrupteur et les mécanismes de la scie. Utilisez une brosse ou un aspirateur pour retirer la poussière et les débris des ouvertures de ventilation **110**, des mécanismes de pro-



Maintenance et lubrification

tection **112**, de la tige d'élévation fileté **113** et des tiges de support **114**. Vérifiez régulièrement que le système Smart Guard **11** et toutes les pièces mobiles fonctionnent correctement. Nettoyez périodiquement le système Smart Guard **11** avec un chiffon ou une brosse.

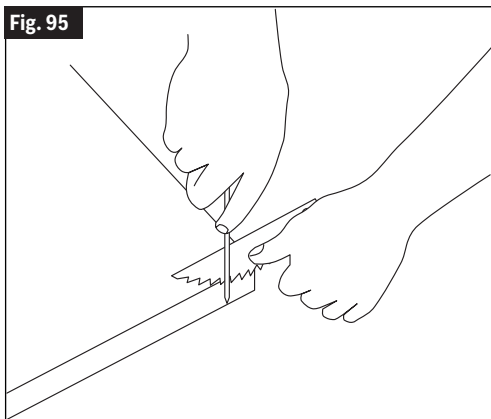
Maintenance du dispositif de protection contre les chocs en retour

(Fig. 95)

Vérifiez que les dents du dispositif de protection contre les chocs en retour sont toujours bien affûtées. Pour les réaffûter :

1. Retirez le dispositif de protection contre les chocs en retour du couteau séparateur.
2. Faites tourner un taquet pour l'éloigner de l'autre.
3. Tenez le taquet au-dessus du coin de la table de travail.
4. Utilisez une petite lime ronde (coupe lisse) pour affûter les dents.

Fig. 95



vible pour permettre le nettoyage de toute accumulation de poussière et de copeaux. Pour vider le déversoir d'évacuation de la poussière :

1. Desserrez le crochet de l'orifice de dépoussiérage/du raccord du tuyau d'aspiration **115**
2. Retirez le crochet de l'orifice de dépoussiérage/du raccord du tuyau d'aspiration **19**
3. Enlevez tous les débris du crochet de l'orifice de dépoussiérage/du raccord du tuyau d'aspiration **19**
4. Rattachez le crochet de l'orifice de dépoussiérage/du raccord du tuyau d'aspiration **115**

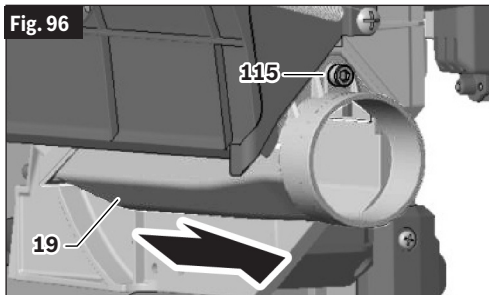


Fig. 96

Nettoyage de l'orifice de dépoussiérage/du raccord de tuyau d'aspiration

(Fig. 96)

⚠ AVERTISSEMENT N'utilisez pas la scie sans avoir installé correctement le raccord du tuyau d'aspiration/l'orifice de dépoussiérage. Une goulotte manquante ou mal installée peut permettre l'accès à la lame de la scie et entraîner des dommages matériels ou des blessures.

Des morceaux coupés très fins peuvent tomber à travers l'élément amovible de la table **12** et s'accumuler dans l'orifice de dépoussiérage/le raccord du tuyau d'aspiration **19**, empêchant ainsi l'extraction de la poussière. L'orifice de dépoussiérage/le raccord du tuyau d'aspiration **19** est amo-

Attachements et Accessoires

Article	Numéro de catalogue
Adaptateur de tuyaux flexibles pour aspirateur	VAC004
Sac à poussière	TS1004
Élément amovible sans jeu	TS0800
Élément amovible pour rainurage	TS0801
Support de scie à table	GTA570

Recherche de la cause des problèmes

⚠ AVERTISSEMENT Pour éviter les accidents, débranchez toujours le bloc-piles de l'outil avant de le dépanner.

Problème	Cause	Action corrective
La scie ne démarre pas.	Le bloc-piles 29 n'est pas attaché.	Connectez le bloc-piles 29 . Assurez-vous que le bloc-piles 29 est entièrement inséré.
	La protection thermique de la carte de circuits imprimés s'est peut-être déclenchée.	Le bloc-piles 29 , le moteur ou la carte de circuits imprimés peut avoir besoin de refroidir.
	Le bloc-piles 29 s'est déchargé.	Vérifiez l'indicateur de charge ds piles pour connaître la charge restante. Chargez le bloc-piles 29 ou remplacez-le.
	La température du bloc-piles 29 est en dehors de la plage de fonctionnement normale.	Laissez le bloc-piles 29 refroidir jusqu'à ce qu'il atteigne la plage de température de fonctionnement normale. (Voir la section intitulée « Spécifications » à la page 72 pour prendre connaissance de la plage de température ambiante autorisée.)
	La protection électronique du moteur a éteint l'outil.	Déconnectez le bloc-piles 29 et remplacez-le.
	Autres.	Faites examiner l'outil par un poste de service client ou de service après-vente Bosch agréé.
La lame ne tourne pas à la vitesse normale.	Le niveau de charge du bloc-piles est faible.	Chargez le bloc-piles 29 .
	Le bloc-piles 29 est proche de la fin de vie, et la puissance produite par la pile est réduite.	Remplacez le bloc-piles 29 .
	L'outil ou le bloc-piles 29 est surchauffé.	Laissez l'outil et le bloc-piles 29 refroidir jusqu'à ce qu'ils atteignent une température de fonctionnement normale. (Voir la section intitulée « Spécifications » à la page 72 pour prendre connaissance de la plage de température ambiante autorisée.)
	La température du bloc-piles 29 est trop basse.	Réchauffez progressivement le bloc-piles 29 dans un endroit plus chaud, puis remplacez-le dans la scie une fois qu'il aura atteint la température de fonctionnement normale. (Voir la section intitulée « Spécifications » à la page 72 pour prendre connaissance de la plage de température ambiante autorisée.)

Recherche de la cause des problèmes

Problème	Cause	Action corrective
Faible puissance.	Utilisation d'un pack autre que pro-core.	La scie fonctionne mieux avec un bloc-piles Pro Core de 8 ah ou 12 ah. La scie fonctionnera avec d'autres piles, mais avec une puissance plus faible.
Vibrations excessives.	La poignée de verrouillage du biseau de la lame 3 n'est pas serrée.	Consultez la section intitulée « Familiarisez-vous avec votre scie à table GTS18V-08 » à la page 75.
	La lame 32 est déséquilibrée.	Mettez la lame 32 au rebut et utilisez une autre lame 32 .
	La scie n'est pas montée de façon suffisamment sécurisée sur le support ou l'établi.	Serrez tout le matériel de fixation. Voir la section intitulée « Montage de la scie à table » à la page 94.
	L'écrou de fixation de l'arbre 53 n'est pas correctement serré.	Serrez l'écrou de fixation de l'arbre 53 . (Voir la section intitulée « Changement de la lame » à la page 83.)
Impossible de réaliser une coupe carrée lors d'une coupe transversale.	La jauge à onglets 14 n'est pas ajustée de façon appropriée.	Voir la section intitulée « Réglage de la jauge à onglets » à la page 96.
La scie se coince ou surchauffe en coupant, et le moteur cale lors de coupes longitudinales.	La lame 32 est émoussée.	Remplacez la lame 32 . (Voir la section intitulée « Changement de la lame » à la page 83.)
	Planche gauchie.	Veillez à ce que le côté concave ou creux soit orienté vers le BAS, et faites avancer l'ouvrage lentement.
	Le guide de refente 9 n'est pas parallèle à la lame 32 .	Voir la section intitulée « Réglages du guide de refente » à la page 96.
	Le couteau séparateur 24 est mal aligné.	Voir la section intitulée « Réglage du couteau séparateur » à la page 99.
La coupe est inexacte à des angles de 90° et de 45°.	Les butées de biseau ne sont pas réglées correctement.	Voir la section intitulée « Réglage des butées positives de 0° et 45° » à la page 101.
Poignée de verrouillage du biseau de la lame / Roulette de réglage de la hauteur difficile à déplacer.	La poignée de verrouillage du biseau de la lame 3 n'est pas desserrée.	Voir l'explication de la « La poignée de verrouillage du biseau de la lame » dans la section intitulée « Familiarisez-vous avec votre scie à table GTS18V-08 » à la page 76.
	Présence de sciure sur les filets de la tige d'élévation fileté 113 .	Voir la section intitulée « Nettoyage » à la page 122.
	Le train de roulement est rempli de sciure de bois.	Soufflez fréquemment la poussière qui peut s'être accumulée à l'intérieur du boîtier de la scie, dans le moteur ou dans les engrenages de réglage de la hauteur de la lame.

Recherche de la cause des problèmes

Problème	Cause	Action corrective
Le guide de refente ne se fixe pas correctement sur les rails.	Le guide de refente 9 n'est pas complètement installé sur les rails 10 .	Assurez-vous que les deux extrémités du guide de refente 9 sont bien en contact avec les rails 10 avant d'essayer de verrouiller les leviers de verrouillage 56 du guide de refente.

Símbolos de seguridad





Las definiciones que aparecen a continuación describen el nivel de gravedad de cada palabra de aviso. Por favor, lea el manual y preste atención a estos símbolos.	
	Este es el símbolo de alerta de seguridad. Se utiliza para alertarle a usted de posibles peligros de lesiones corporales. Obedezca todos los mensajes de seguridad que sigan a este símbolo para evitar posibles lesiones o la muerte.
	PELIGRO indica una situación peligrosa que, si no se evita, causará la muerte o lesiones graves.
	ADVERTENCIA indica una situación peligrosa que, si no se evita, podría causar la muerte o lesiones graves.
	PRECAUCIÓN indica una situación peligrosa que, si no se evita, podría causar lesiones leves o moderadas.

Tabla de contenido

Símbolos de seguridad	128	Instalación del tope-guía para cortar al hilo	148
Advertencias generales de seguridad para herramientas eléctricas	129	Almacenamiento, transporte y montaje	152
Instrucciones de seguridad para sierras de mesa	131	Almacenamiento del calibre de ingletes	152
Normas de seguridad adicionales	135	Almacenamiento del palo de empuje	152
Uso previsto	135	Almacenamiento del tope-guía para cortar al hilo	152
Especificaciones	136	Almacenamiento del sistema de protector inteligente Smart Guard	153
Capacidades de corte	136	Almacenamiento de la llave hexagonal	156
Símbolos	137	Almacenamiento de la llave de tuerca para la hoja	156
Familiarización con la sierra de mesa GTS18V-08	139	Transporte de la sierra	157
Glosario	141	Montaje de la sierra de mesa	158
Desempaquetado y comprobación del contenido	142	Ajustes	159
Desempaquetado de la sierra de mesa	142	Ajuste de la hoja paralela a las ranuras del calibre de ingletes	159
Herramientas necesarias para el ensamblaje	143	Ajustes del tope-guía para cortar al hilo	160
Ensamblaje	144	Alineación de la cuchilla separadora	163
Inserción y liberación del paquete de batería	144	Ajuste del inserto de la mesa	165
Desinstalación e instalación del inserto de la mesa	144	Ajuste de los topes positivos a 0° y 45°	165
Instalación del sistema de protector inteligente Smart Guard	145	Operaciones básicas de la sierra de mesa	167
Selección y cambio de la hoja	147	Interruptor de alimentación	167
		Indicador de combustible	167

Tabla de contenido

Utilización del sistema de protector inteligente Smart Guard	168	Mantenimiento y lubricación	185
Cuchilla separadora (separador)	168	Servicio de ajustes y reparaciones	185
Ensamblaje del protector con barreras	169	Cuidado de las hojas	185
Dispositivo antirretroceso.	169	Lubricación de la herramienta	185
Elaboración de los ayudantes de trabajo	169	Limpieza.	185
Utilización del palo de empuje, el bloque de empuje y el tope-guía auxiliar	173	Mantenimiento del dispositivo antirretroceso.	186
Utilización del tope-guía para cortar al hilo	175	Despeje del puerto de extracción de polvo/conexión de aspiradora.	186
Utilización del calibre de ingletes	178	Aditamentos y accesorios.	187
Corte no pasante	181	Resolución de problemas	188
Técnicas de corte especiales	184		

Advertencias generales de seguridad para herramientas eléctricas

⚠ ADVERTENCIA Lea todas las advertencias de seguridad, instrucciones, ilustraciones y especificaciones suministradas con esta herramienta eléctrica. Si no se siguen todas las instrucciones que se indican a continuación, es posible que el resultado sea descargas eléctricas, incendio y/o lesiones graves.

GUARDE TODAS LAS ADVERTENCIAS E INSTRUCCIONES PARA REFERENCIA FUTURA.

La expresión “herramienta eléctrica” que se incluye en las advertencias se refiere a su herramienta eléctrica alimentada por la red eléctrica (alámbrica) o su herramienta eléctrica alimentada por baterías (inalámbrica).

1. Seguridad en el área de trabajo

a. Mantenga el área de trabajo limpia y bien iluminada.

Las áreas desordenadas u oscuras invitan a que se produzcan accidentes.

b. No utilice herramientas eléctricas en atmósferas explosivas, tales como las existentes en presencia de líquidos, gases o polvos inflamables.

Las herramientas eléctricas generan chispas, las cuales es posible que incendien los polvos o los vapores.

c. Mantenga alejados a los niños y a los curiosos mientras esté utilizando una herramienta eléctrica.

Las distracciones pueden hacerle perder el control de la herramienta.

2. Seguridad eléctrica

a. Los enchufes de las herramientas eléctricas deben coincidir con el tomacorriente.

No modifique nunca el enchufe de ninguna manera. No utilice enchufes adaptadores con herramientas eléctricas conectadas a tierra (puestas a masa). Los enchufes sin modificar y

los tomacorrientes coincidentes reducirán el riesgo de descargas eléctricas.

b. Evite el contacto del cuerpo con superficies conectadas a tierra o puestas a masa, tales como tuberías, radiadores, estufas de cocina y refrigeradores.

Hay un mayor riesgo de descargas eléctricas si el cuerpo del operador está conectado a tierra o puesto a masa.

c. No exponga las herramientas eléctricas a la lluvia ni a condiciones mojadas.

La entrada de agua en una herramienta eléctrica aumentará el riesgo de descargas eléctricas.

d. No maltrate el cable.

No use nunca el cable para transportar, jalar o desenchufar la herramienta eléctrica. Mantenga el cable alejado del calor, el aceite, los bordes afilados o las piezas móviles. Los cables dañados o enredados aumentan el riesgo de descargas eléctricas.

e. Cuando utilice una herramienta eléctrica a la intemperie, utilice un cable de extensión adecuado para uso a la intemperie.

La utilización de un cable adecuado para uso a la intemperie reduce el riesgo de descargas eléctricas.

CONSERVE ESTAS INSTRUCCIONES

Advertencias generales de seguridad para herramientas eléctricas

- f. **Si es inevitable utilizar una herramienta eléctrica en un lugar húmedo, utilice una fuente de alimentación protegida por un interruptor de circuito accionado por corriente de pérdida a tierra (GFCI, por sus siglas en inglés).** El uso de un GFCI reduce el riesgo de descargas eléctricas.
- h. **No deje que la familiaridad obtenida con el uso frecuente de las herramientas le haga volverse complaciente e ignorar los principios de seguridad de las herramientas.** Una acción descuidada puede causar lesiones graves en una fracción de segundo.

3. Seguridad personal

- a. **Manténgase alerta, fíjese en lo que está haciendo y use el sentido común cuando utilice una herramienta eléctrica.** No utilice una herramienta eléctrica mientras esté cansado o bajo la influencia de drogas, alcohol o medicamentos. Es posible que un momento de desatención mientras se estén utilizando herramientas eléctricas cause lesiones corporales graves.
- b. **Utilice equipo de protección personal.** Use siempre protección ocular. Los equipos protectores, tales como una máscara antipolvo, calzado de seguridad antideslizante, casco o protección de la audición, utilizados según lo requieran las condiciones, reducirán las lesiones corporales.
- c. **Prevenga los arranques accidentales.** Asegúrese de que el interruptor esté en la posición de apagado antes de conectar la herramienta eléctrica a la fuente de alimentación y/o al paquete de batería, levantar la herramienta eléctrica o transportarla. Si se transportan herramientas eléctricas con el dedo en el interruptor o si se suministra corriente a herramientas eléctricas que tengan el interruptor en la posición de encendido se invita a que se produzcan accidentes.
- d. **Retire todas las llaves de ajuste o de tuerca antes de encender la herramienta eléctrica.** Es posible que una llave de tuerca o de ajuste que se deje sujeta a una pieza rotativa de la herramienta eléctrica cause lesiones corporales.
- e. **No intente alcanzar demasiado lejos.** Mantenga un apoyo de los pies y un equilibrio adecuados en todo momento. Esto permite un mejor control de la herramienta eléctrica en situaciones inesperadas.
- f. **Vístase adecuadamente.** No se ponga ropa holgada ni joyas. Mantenga el pelo y la ropa alejados de las piezas móviles. La ropa holgada, las joyas o el pelo largo pueden quedar atrapados en las piezas móviles.
- g. **Si se proporcionan dispositivos para la conexión de instalaciones de extracción y recolección de polvo, asegúrese de que estas estén conectadas y se utilicen correctamente.** El uso de recolección de polvo puede reducir los peligros relacionados con el polvo.

4. Uso y cuidado de la herramienta eléctrica

- a. **No fuerce la herramienta eléctrica.** Utilice la herramienta eléctrica correcta para la aplicación que vaya a realizar. La herramienta eléctrica correcta hará el trabajo mejor y con más seguridad a la capacidad nominal para la que fue diseñada.
- b. **No utilice la herramienta eléctrica si el interruptor no la enciende y apaga.** Cualquier herramienta eléctrica que no se pueda controlar con el interruptor es peligrosa y debe ser reparada.
- c. **Desconecte el enchufe de la fuente de alimentación y/o retire el paquete de batería de la herramienta eléctrica, si es retirable, antes de hacer cualquier ajuste, cambiar accesorios o almacenar herramientas eléctricas.** Dichas medidas preventivas de seguridad reducen el riesgo de arrancar accidentalmente la herramienta eléctrica.
- d. **Guarde las herramientas eléctricas que no esté usando fuera del alcance de los niños y no deje que las personas que no estén familiarizadas con la herramienta eléctrica o estas instrucciones utilicen la herramienta eléctrica.** Las herramientas eléctricas son peligrosas en las manos de los usuarios no capacitados.
- e. **Realice mantenimiento de las herramientas eléctricas y los accesorios.** Compruebe si hay desalineación o atoramiento de las piezas móviles, rotura de piezas y cualquier otra situación que pueda afectar al funcionamiento de la herramienta eléctrica. Si la herramienta eléctrica está dañada, haga que la reparen antes de utilizarla. Muchos accidentes son causados por herramientas eléctricas que reciben un mantenimiento deficiente.
- f. **Mantenga las herramientas de corte afiladas y limpias.** Las herramientas de corte mantenidas adecuadamente, con bordes de corte afilados, tienen menos probabilidades de atorarse y son más fáciles de controlar.
- g. **Utilice la herramienta eléctrica, los accesorios y las brocas de la herramienta, etc., de acuerdo con estas instrucciones, teniendo en cuenta las condiciones de trabajo y el trabajo que se vaya a realizar.** El uso de la herramienta eléctrica para operaciones distintas a las previstas podría causar una situación peligrosa.

CONSERVE ESTAS INSTRUCCIONES

Advertencias generales de seguridad para herramientas eléctricas

- h. Mantenga los mangos y las superficies de agarre secos, limpios y libres de aceite y grasa.** Los mangos resbalosos y las superficies de agarre resbalosas no permiten un manejo y un control seguros de la herramienta en situaciones inesperadas.
-
- 5. Uso y cuidado de las herramientas a batería**
- a. Recargue el paquete de batería solo con el cargador especificado por el fabricante.** Es posible que un cargador que sea adecuado para un tipo de paquete de batería cree un riesgo de incendio cuando se utilice con otro paquete de batería.
- b. Utilice las herramientas eléctricas solo con paquetes de batería designados específicamente.** Es posible que el uso de cualquier otro paquete de batería cree un riesgo de lesiones e incendio.
- c. Cuando el paquete de batería no se esté utilizando, manténgalo alejado de otros objetos metálicos, tales como clips sujetapapeles, monedas, llaves, clavos, tornillos u otros objetos metálicos pequeños, que puedan hacer una conexión de un terminal al otro.** Si se cortocircuitan juntos los terminales de la batería, es posible que se causen quemaduras o un incendio.
- d. En condiciones abusivas es posible que se expulse líquido de la batería; evite el contacto.** Si se produce contacto accidentalmente, enjuáguese con agua. Si el líquido entra en contacto con los ojos, obtenga además ayuda médica. Es posible que el líquido expulsado de la batería cause irritación o quemaduras.
- e. No utilice un paquete de batería o una herramienta que estén dañados o modificados.** Es posible que las baterías dañadas o modificadas exhiban un comportamiento imprevisible que cause incendio, explosión o riesgo de lesiones.
- f. No exponga un paquete de batería o una herramienta a un fuego o a una temperatura excesiva.** Es posible que la exposición a un fuego o a una temperatura superior a 265 °F cause una explosión.
- g. Siga todas las instrucciones de carga y no cargue el paquete de batería ni la herramienta fuera del intervalo de temperatura especificado en las instrucciones.** Es posible que la realización de la carga de manera inadecuada o a temperaturas que estén fuera del intervalo especificado dañe la batería y aumente el riesgo de incendio.
-
- 6. Servicio de ajustes y reparaciones**
- a. Haga que su herramienta eléctrica reciba servicio de ajustes y reparaciones por un técnico de reparaciones calificado que utilice únicamente piezas de repuesto idénticas.** Esto garantizará que se mantenga la seguridad de la herramienta eléctrica.
- b. No haga nunca servicio de ajustes y reparaciones de paquetes de batería dañados.** El servicio de ajustes y reparaciones de los paquetes de batería deberá ser realizado solo por el fabricante o por proveedores de servicio autorizados.

Instrucciones de seguridad para sierras de mesa

- 1. Advertencias relacionadas con los protectores**
- a. Mantenga los protectores colocados en la posición correcta.** Los protectores deben estar en buenas condiciones de funcionamiento y montados correctamente. Un protector que esté flojo o dañado, o que no esté funcionando correctamente, debe ser reparado o reemplazado.
- b. Utilice siempre el protector de la hoja de sierra, la cuchilla separadora y el dispositivo antirretroceso para cada operación de corte pasante.** En el caso de operaciones de corte pasante en las que la hoja de sierra corte completamente a través del grosor de la pieza de trabajo, el protector y otros dispositivos de seguridad ayudan a reducir el riesgo de lesiones.
- c. Reinstale inmediatamente el sistema de protección después de completar una operación (tal como cortes de rebajos, cortes de mortajas o cortes de reaserado) que requiera la remoción del protector, la cuchilla separadora y/o el dispositivo antirretroceso.** El protector, la cuchilla separadora y el dispositivo antirretroceso ayudan a reducir el riesgo de lesiones.
- d. Asegúrese de que la hoja de sierra no esté haciendo contacto con el protector, la cuchilla separadora o la pieza de trabajo antes de poner el interruptor en la posición de encendido.** Un contacto accidental de estos elementos con la hoja de sierra podría causar una situación peligrosa.
- e. Ajuste la cuchilla separadora tal y como se describe en este manual de instrucciones.** Un espaciamiento, un posicionamiento y una alineación incorrectos pueden

CONSERVE ESTAS INSTRUCCIONES

-131-


Instrucciones de seguridad para sierras de mesa

hacer que la cuchilla separadora sea ineficaz para reducir la probabilidad de retroceso.

f. Para que la cuchilla separadora y el dispositivo antirretroceso funcionen, deben estar acoplados en la pieza de trabajo. La cuchilla separadora y el dispositivo antirretroceso son ineficaces al cortar piezas de trabajo que sean demasiado cortas para ser acopladas con la cuchilla separadora y el dispositivo antirretroceso. En estas condiciones, la cuchilla separadora y el dispositivo antirretroceso no pueden prevenir un retroceso.

g. Utilice la hoja de sierra adecuada para la cuchilla separadora. Para que la cuchilla separadora funcione correctamente, el diámetro de la hoja de sierra debe coincidir con la cuchilla separadora adecuada, el cuerpo de la hoja de sierra debe ser más delgado que el grosor de la cuchilla separadora y la anchura de corte de la hoja de sierra debe ser mayor que el grosor de la cuchilla separadora.

2. Advertencias para los procedimientos de corte

a.  PELIGRO No ponga nunca los dedos ni las manos en las proximidades de la hoja de sierra ni en línea con la misma. Un momento de desatención o un resbalón podrían dirigir la mano del operador hacia la hoja de sierra y causar lesiones corporales graves.

b. Haga avanzar la pieza de trabajo hacia la hoja de sierra o el cortador solo contra el sentido de rotación. Si se hace avanzar la pieza de trabajo en el mismo sentido en el que la hoja de sierra esté rotando encima de la sierra de mesa, es posible que el resultado sea que la pieza de trabajo y la mano del operador sean jaladas hacia la hoja de sierra.

c. No utilice nunca el calibre de ingletes para hacer avanzar la pieza de trabajo cuando corte al hilo y no utilice el tope-guía para cortar al hilo como tope de longitud cuando realice cortes transversales con el calibre de ingletes. Al guiar la pieza de trabajo con el tope-guía para cortar al hilo y el calibre de ingletes al mismo tiempo se aumenta la probabilidad de que la hoja de sierra se atore y experimente retroceso.

d. Cuando corte al hilo, aplique siempre la fuerza de avance a la pieza de trabajo entre el tope-guía y la hoja de sierra. Utilice un palo de empuje cuando la distancia entre el top-guía y la hoja de sierra sea inferior a 150 mm (6 pulgadas), y utilice un bloque de empuje cuando la distancia sea inferior a 50 mm (2 pulgadas). Los dispositivos "ayudantes de trabajo" mantendrán la

mano del operador a una distancia segura de la hoja de sierra.

e. Utilice solo el palo de empuje suministrado por el fabricante o construido de acuerdo con las instrucciones. Este palo de empuje proporciona suficiente distancia desde la mano hasta la hoja de sierra.

f. No utilice nunca un palo de empuje dañado o cortado. Es posible que un palo de empuje dañado se rompa y haga que la mano del operador resbale hacia la hoja de sierra.

g. No realice ninguna operación "a pulso". Utilice siempre el tope-guía para cortar al hilo o el calibre de ingletes para posicionar y guiar la pieza de trabajo. "A pulso" significa utilizar las manos para soportar o guiar la pieza de trabajo, en lugar de un tope-guía para cortar al hilo o un calibre de ingletes. El aserrado a pulso causa desalineación, atoramiento y retroceso.

h. No ponga nunca las manos alrededor de una hoja de sierra que esté rotando ni sobre la misma. Si se intenta alcanzar una pieza de trabajo con las manos, es posible que el resultado sea un contacto accidental con la hoja de sierra que está en movimiento.

i. Proporcione soporte auxiliar para la pieza de trabajo en la parte trasera y/o en los lados de la mesa de sierra para piezas de trabajo largas y/o anchas con el fin de mantenerlas niveladas. Una pieza de trabajo larga y/o ancha tiene tendencia a pivotar sobre el borde de la mesa, causando pérdida de control, atoramiento de la hoja de sierra y retroceso.

j. Haga avanzar la pieza de trabajo a una velocidad uniforme. No doble ni tuerza la pieza de trabajo. Si se produce atoramiento, apague inmediatamente la herramienta, desconecte el paquete de batería de la herramienta y luego despeje el atoramiento. Si la hoja de sierra se atora en la pieza de trabajo, puede causar retroceso o detener el motor.

k. No retire pedazos de material cortado mientras la sierra esté en funcionamiento. Es posible que el material quede atrapado entre el tope-guía para cortar al hilo o dentro del protector de la hoja de sierra y que la hoja de sierra jale los dedos del operador hacia la misma. Apague la sierra y espere hasta que la hoja de la sierra se detenga antes de retirar el material.

l. Utilice un tope-guía auxiliar en contacto con el tablero de la mesa cuando corte al hilo piezas de trabajo de menos de 2 mm (0,08 pulgadas) de grosor. Es posible que una pieza de trabajo delgada forme una cuña debajo del tope-guía para cortar al hilo y cree un retroceso.

CONSERVE ESTAS INSTRUCCIONES

Instrucciones de seguridad para sierras de mesa

3. Causas del retroceso y advertencias relacionadas

El retroceso es una reacción repentina de la pieza de trabajo debido a una hoja de sierra pellizcada o atorada, una línea de corte desalineada en la pieza de trabajo respecto a la hoja de sierra o cuando una parte de la pieza de trabajo se atora entre la hoja de sierra y el tope-guía para cortar al hilo u otro objeto fijo.

Con más frecuencia durante el retroceso, la pieza de trabajo es elevada de la mesa por la parte trasera de la hoja de sierra y es propulsada hacia el operador.

El retroceso es el resultado de un uso incorrecto de la sierra y/o procedimientos o situaciones de utilización incorrectos, y se puede evitar tomando las precauciones adecuadas, tal como se indica a continuación.

- a. **No se sitúe nunca directamente en línea con la hoja de sierra.** Posicione siempre el cuerpo en el mismo lado de la hoja de sierra que el tope-guía. Es posible que un retroceso propulse la pieza de trabajo a alta velocidad hacia cualquier persona que esté ubicada delante de la hoja de sierra y en línea con ella.
- b. **No ponga nunca las manos sobre la hoja de sierra ni detrás de ella para jalar o soportar la pieza de trabajo.** Es posible que se produzca un contacto accidental con la hoja de sierra o puede que un retroceso arrastre los dedos del operador hacia la hoja de sierra.
- c. **No sujete ni presione nunca la pieza de trabajo que se esté cortando contra la hoja de sierra que rota.** Si se presiona la pieza de trabajo que se esté cortando contra la hoja de sierra se creará una situación de atoramiento y retroceso.
- d. **Alinee el tope-guía para que esté paralelo a la hoja de sierra.** Un tope-guía desalineado pellizcará la pieza de trabajo contra la hoja de sierra y creará retroceso.
- e. **Utilice una tabla con canto biselado para guiar la pieza de trabajo contra la mesa y el tope-guía cuando realice cortes no pasantes, tales como cortes de rebajos, cortes de mortajas o cortes de reaserrado.** Una tabla con canto biselado ayuda a controlar la pieza de trabajo en caso de retroceso.
- f. **Tenga precaución adicional cuando realice un corte en áreas ciegas de piezas de trabajo ensambladas.** Es posible que la hoja de sierra que sobresale corte objetos que pueden causar retroceso.
- g. **Soporte los paneles grandes para minimizar el riesgo de que la hoja de sierra sufra un pellizcamiento y experimente retroceso.** Los paneles grandes tienden a arquearse bajo su propio peso. Se deben colocar uno o

más soportes debajo de todas las partes del panel que sobresalgan del tablero de la mesa.

- h. **Tenga precaución adicional cuando corte una pieza de trabajo que esté torcida, tenga nudos, esté arqueada o no tenga un borde recto para guiarla con un calibre de ingletes o a lo largo del tope-guía.** Una pieza de trabajo arqueada, con nudos o torcida es inestable y causa desalineación de la sección de corte con la hoja de sierra, atoramiento y retroceso.
- i. **No corte nunca más de una pieza de trabajo apilada vertical u horizontalmente.** La hoja de sierra podría enganchar una o más piezas y causar retroceso.
- j. **Cuando re arranque la sierra con la hoja de sierra en la pieza de trabajo, centre dicha hoja en la sección de corte de manera que los dientes de la sierra no estén acoplados en el material.** Si la hoja de sierra se atora, es posible que levante la pieza de trabajo y cause retroceso al re arrancar la sierra.
- k. **Mantenga las hojas de sierra limpias, afiladas y con un triscado suficiente.** No utilice nunca hojas de sierra arqueadas ni hojas de sierra con dientes agrietados o rotos. Las hojas de sierra afiladas y con un triscado adecuado minimizan el atoramiento, la detención del motor y el retroceso. Al limpiar para eliminar la savia o el plástico acumulados en las puntas y el cuerpo de la hoja se reducirá el sobrecalentamiento y el atoramiento de la hoja. Cuando corte materiales de plástico, evite derretir el plástico.
- l. **No libere la pieza de trabajo hasta que la haya empujado completamente pasada la hoja de sierra.** Si no se hace así, es posible que se causen retroceso y lesiones corporales.
- m. **No confine la pieza que se esté cortando cuando corte al hilo o transversalmente.** Al confinar la pieza que se esté cortando cuando se corte al hilo o transversalmente, es posible que se causen retroceso y lesiones corporales.
- n. **Reemplace o afile los trinquetes antirretroceso cuando la puntas se desafilan.** Los trinquetes antirretroceso afilados minimizan el retroceso.
- o. **Mantenga el protector de la hoja de sierra, la cuchilla separadora y los trinquetes antirretroceso en la posición correcta y funcionando correctamente.** La cuchilla separadora debe estar en alineación con la hoja de sierra y los trinquetes deben detener un retroceso una vez que este haya comenzado. Compruebe su funcionamiento antes de cortar al hilo. El mantenimiento de estas piezas funcionando correctamente minimiza el retroceso.

CONSERVE ESTAS INSTRUCCIONES

Instrucciones de seguridad para sierras de mesa

4. Advertencias para los procedimientos de utilización de la sierra de mesa

- a. **Apague la sierra de mesa y desconecte el paquete de batería cuando retire el inserto de la mesa, cambie la hoja de sierra o haga ajustes a la cuchilla separadora, el dispositivo antirretroceso o el protector de la hoja, y cuando la máquina se deje desatendida.** Las medidas de precaución evitarán accidentes.
- b. **No deje nunca desatendida la sierra de mesa mientras esté en funcionamiento. Apáguela y no deje la herramienta en ningún lugar hasta que se haya detenido por completo.** Una sierra que esté funcionando desatendida es un peligro incontrolado.
- c. **Ubique la sierra de mesa en un área bien iluminada y nivelada en la que usted pueda mantener un buen apoyo de los pies y un buen equilibrio. La sierra se deberá instalar en un área que proporcione suficiente espacio para manejar fácilmente el tamaño de la pieza de trabajo.** Las áreas estrechas y oscuras, así como los pisos resbalosos, invitan a que se produzcan accidentes.
- d. **Elimine y retire frecuentemente el aserrín de debajo de la mesa de la sierra y/o el dispositivo de recolección de polvo.** El aserrín acumulado es combustible y es posible que se autoincendie.
- e. **La sierra de mesa se debe sujetar firmemente.** Es posible que una sierra de mesa que no esté correctamente sujeta se mueva o se voltee.
- f. **Retire las herramientas, los pedazos de madera de desecho, etc., de la mesa antes de encender la sierra de mesa.** Una distracción o un atoramiento potencial pueden ser peligrosos.
- g. **Utilice siempre hojas de sierra con el tamaño correcto y la forma correcta (admantados frente a redondos) de los agujeros para el eje portaherramienta.** Las hojas de sierra que no coincidan con los herrajes de montaje de la sierra girarán descentradas, con lo cual causarán pérdida de control.
- h. **No utilice nunca medios de montaje de la hoja de sierra que estén dañados o sean incorrectos, tales como bridas, arandelas de hoja de sierra, pernos o tuercas.** Estos medios de montaje se diseñaron especialmente para su sierra con el fin de que funcione de manera segura y brinde un rendimiento óptimo
- i. **No se suba nunca a la sierra de mesa; no la utilice como taburete-escalera.** Se podrían producir lesiones graves si la herramienta se inclina o en caso de contacto accidental con la herramienta de corte.
- j. **Asegúrese de que la hoja de sierra esté instalada para rotar en el sentido correcto. No utilice discos de amolar, cepillos de alambre ni discos abrasivos en una sierra de mesa.** Es posible que una instalación incorrecta de la hoja de sierra o el uso de accesorios no recomendados cause lesiones graves.
- k. **Utilice únicamente accesorios recomendados por el fabricante de su modelo.** Es posible que los accesorios que sean adecuados para una herramienta se puedan volver peligrosos cuando se utilicen en otra herramienta.
- l. **Si la hoja de sierra se detiene o se atora en la pieza de trabajo, "APAGUE" la sierra y elimine el motivo de la parada o del atoramiento antes de rearrancar la sierra. Retire la pieza de trabajo de la hoja de sierra y reemplácela si se está atorando. Compruebe la hoja de sierra para para ver si está paralela a las ranuras o acanaladuras de la mesa y si la cuchilla separadora está alineada correctamente con la hoja de sierra.** Si está cortando al hilo en ese momento, compruebe el tope-guía para cortar al hilo para ver si está paralelo a la hoja de sierra. Reajústelo tal y como se indica.
- m. **No retire pedazos pequeños de material cortado que puedan quedar atrapados dentro del protector de la hoja mientras la sierra esté en funcionamiento. "APAGUE" la sierra y espere hasta que la hoja se detenga.** La retirada de dichas piezas mientras la sierra esté en funcionamiento podría poner en peligro las manos del operador o causar un retroceso.
- n. **Las operaciones de corte transversal se realizan de manera más conveniente y con mayor seguridad si se coloca una tabla de refrentado de madera auxiliar en el calibre de ingletes.** Consulte la página 172.
- o. **No utilice ninguna hoja u otra herramienta de corte marcada para una velocidad de funcionamiento de menos de 5500 R.P.M.** La utilización de una hoja u otra herramienta de corte que tenga una capacidad nominal menor podría causar lesiones corporales. No utilice nunca una herramienta de corte que tenga un diámetro más grande que el diámetro para el cual se diseñó la sierra. Para mayor seguridad y eficiencia al cortar al hilo, utilice la hoja de diámetro máximo para la cual se diseñó la sierra, ya que en estas condiciones la cuchilla separadora está lo más cerca posible de la hoja.
- p. **Asegúrese de que el inserto de la mesa esté al ras o ligeramente por debajo de la superficie de la mesa en todos los lados, excepto en el lado trasero. No utilice NUNCA la sierra a menos que el inserto adecuado esté instalado.** La utilización sin el inserto adecuado puede causar retroceso y lesiones corporales.
- q. **Evite sobrecalentar las puntas de la hoja.**

CONSERVE ESTAS INSTRUCCIONES

Normas de seguridad adicionales

PIENSE EN LA SEGURIDAD

LA SEGURIDAD ES UNA COMBINACIÓN DE SENTIDO COMÚN Y ALERTA EN TODO MOMENTO POR PARTE DEL OPERADOR MIENTRAS SE ESTÉ UTILIZANDO LA SIERRA DE MESA.

Los dispositivos con GFCI y de protección personal, tales como guantes y calzado de caucho de electricista, mejorarán adicionalmente su seguridad personal.

No utilice herramientas especificadas solamente para CA con una fuente de alimentación de CC. Aunque parezca que la herramienta funciona, es probable que los componentes eléctricos de la herramienta especificada para CA fallen y creen un peligro para el operador.

Desarrolle un programa de mantenimiento periódico para su herramienta. Cuando limpie una herramienta, tenga cuidado de no desarmar ninguna parte de la misma, ya que es posible que los cables internos queden descolocados o resulten aplastados, o que los resortes de retorno de los protectores seguridad se monten incorrectamente. Es posible que ciertos agentes de limpieza, tales como gasolina, tetracloruro de carbono, amoníaco, etc., dañen las piezas de plástico.



La utilización de cualquier herramienta eléctrica puede tener como resultado que se arrojen objetos extraños hacia los ojos del operador, lo cual puede causar lesiones oculares graves. Use siempre anteojos de seguridad que cumplan con la

norma ANSI Z87.1 (mostrados en el paquete) antes de comenzar a utilizar la herramienta eléctrica.

ADVERTENCIA Cierta polvos generados por las operaciones de lijado, aserrado, amolado y taladrado con herramientas eléctricas, así como por otras actividades de construcción, contienen sustancias químicas que se sabe que causan cáncer, defectos de nacimiento u otros daños sobre la reproducción. Algunos ejemplos de estas sustancias químicas son:

- Plomo procedente de pinturas a base de plomo,
- Sílice cristalina procedente de ladrillos y cemento y otros productos de mampostería, y
- Arsénico y cromo procedentes de madera de construcción tratada químicamente.

El riesgo para usted por causa de estas exposiciones varía, dependiendo de qué tan a menudo realice este tipo de trabajo. Para reducir su exposición a estas sustancias químicas: trabaje en un área bien ventilada y trabaje con equipo de seguridad aprobado, tal como máscaras antipolvo que estén diseñadas especialmente para impedir mediante filtración el paso de partículas microscópicas.

Antes de cada uso, repase todas las advertencias ubicadas en la sierra de mesa.

Uso previsto

ADVERTENCIA Utilice esta sierra de mesa solo según lo previsto. Es posible que un uso no previsto cause lesiones corporales y daños materiales.

Esta sierra de mesa está diseñada para aplicaciones de corte al hilo, corte transversal, corte a inglete, corte en bisel y corte no pasante en diversos materiales de madera y plástico.

No utilice esta sierra de mesa para cortar metales, tales como aluminio o cobre, o cualquier material de mampostería o cemento.

No utilice conjuntos de mortajal oscilantes o ajustables con esta sierra de mesa.

Si está cortando plástico, asegúrese de que la velocidad de avance sea lo suficientemente lenta y que las puntas de la hoja estén lo suficientemente afiladas para evitar derretir el plástico.


No utilice cortadores de cabeza de moldura con esta sierra de mesa.

No realice cortes cónicos sin un accesorio de posicionamiento cónico.

CONSERVE ESTAS INSTRUCCIONES

Especificaciones

Sierra de mesa GTS18V-08

Tensión:	18 V 
Velocidad sin carga:	5500/min (RPM) *
Diámetro de la hoja:	Ø 8-1/4 pulgadas (210 mm)
Temperatura ambiente permitida	
- durante el proceso de carga:	32 °F...115 °F (0 °C...+45 °C)
- durante la utilización:	14 °F...122 °F (-20 °C...+50 °C)
- durante el almacenamiento:	0 °F...122 °F (0 °C...50 °C)

* Utilizando paquetes de batería Core de 18 V de 4,0, 8,0 y 12 Ah

Paquetes de batería/cargadores






Sírvase consultar la lista de baterías/cargadores, incluida con su herramienta.

Capacidades de corte

Corte al hilo a la derecha, espigas plateadas:	0 - 20 pulgadas (0 mm - 508 mm)
Corte al hilo máximo a la derecha, espigas negras:	5- 25 pulgadas (127 mm - 635 mm)
Corte al hilo máximo a la izquierda:	12 pulgadas (305 mm)
Profundidad de corte a 90°:	2-1/2 pulgadas (63.5 mm)
Profundidad de corte a 45°:	1-3/4 pulgadas (44.5 mm)
Intervalo de bisel ajustado en la fábrica:	0° / 45°
Intervalo de bisel sin topes:	-2° / 47°
Diámetros de las hojas mortajadoras:	6 pulgadas (152 mm)
Anchura máxima del apilamiento de mortajar:	1/2 pulgadas (12.7 mm)







Símbolos

⚠ ADVERTENCIA Importante: Es posible que se utilicen algunos de los siguientes símbolos en esta herramienta. Por favor, estúdielos y aprenda su significado. La interpretación correcta de estos símbolos le permitirá utilizar la herramienta mejor y de manera más segura.

Símbolo	Designación / explicación
V	Voltios (tensión)
A	Amperios (corriente)
Hz	Hercios (frecuencia, ciclos por segundo)
W	Vatios (potencia)
kg	Kilogramos (peso)
min	Minutos (tiempo)
s	Segundos (tiempo)
CFM	Pies cúbicos por minuto [o pies ³ /min] (caudal de aire)
∅	Diámetro (tamaño de las brocas taladradoras, los discos de amolar, etc.)
n ₀	Velocidad sin carga (velocidad rotacional sin carga)
n	Velocidad nominal (velocidad máxima obtenible)
.../min	Revoluciones o reciprocaciones por minuto (revoluciones, carreras, velocidad superficial, órbitas, etc., por minuto)
0	Posición de apagado (velocidad cero, fuerza de torsión cero...)
1, 2, 3, ... I, II, III,	Ajustes del selector (ajustes de velocidad, fuerza de torsión o posición. Un número más alto significa mayor velocidad)
	Selector infinitamente variable con apagado (la velocidad aumenta desde el ajuste 0)
	Flecha (acción en el sentido de la flecha)
~	Corriente alterna (tipo o característica de corriente)
≡	Corriente continua (tipo o una característica de corriente)
	Corriente alterna o continua (tipo o una característica de corriente)
	Construcción de Clase II (designa a herramientas de construcción con aislamiento doble)
	Terminal de puesta a tierra (terminal de conexión a tierra)

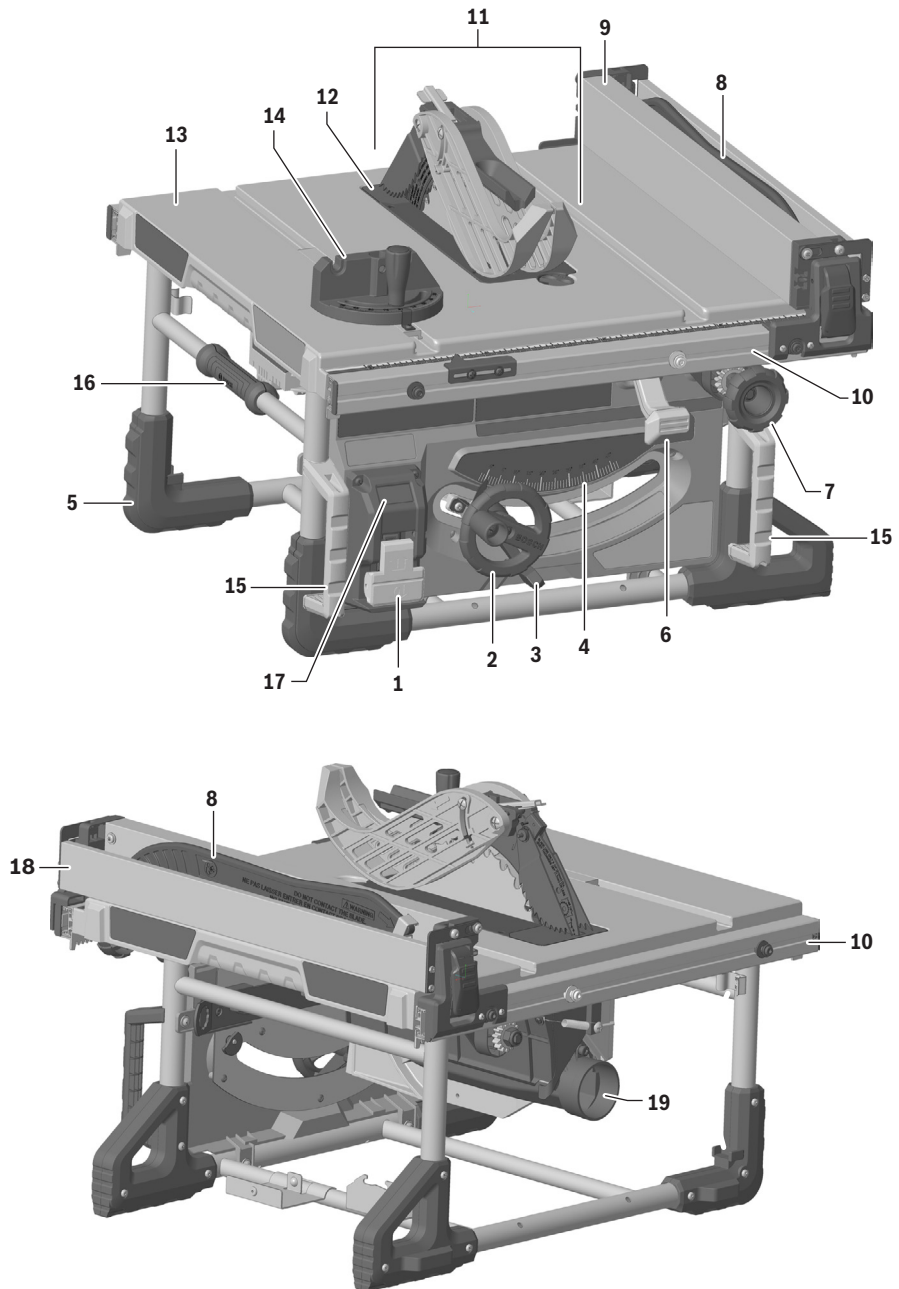
Símbolos

ADVERTENCIA Importante: Es posible que se utilicen algunos de los siguientes símbolos en esta herramienta. Por favor, estúdielos y aprenda su significado. La interpretación correcta de estos símbolos le permitirá utilizar la herramienta mejor y de manera más segura.

Symbole	Désignation / Explication
	Designa un programa de reciclaje de baterías de ion Li
	Alerta al usuario para que lea el manual
	Alerta al usuario para que use protección ocular
	Este símbolo indica que esta herramienta está homologada por Underwriters Laboratories.
	Este símbolo indica que esta herramienta está homologada por Underwriters Laboratories, conforme a las normas estadounidenses y canadienses.
	Este símbolo indica que esta herramienta está homologada por la Canadian Standards Association.
	Este símbolo indica que esta herramienta está homologada por la Canadian Standards Association, conforme a las normas estadounidenses y canadienses.
	Este símbolo indica que esta herramienta está homologada por Intertek Testing Services, conforme a las normas estadounidenses y canadienses.

Familiarización con la sierra de mesa GTS18V-08

Fig. 1



Familiarización con la sierra de mesa GTS18V-08

- 1 El interruptor de alimentación** se utiliza para encender y apagar la herramienta. El interruptor de alimentación incorpora un aldaba de cierre para utilizarse con un candado con el fin de prevenir los arranques accidentales.
- 2 La rueda de elevación** sube o baja la hoja. Utilícela con el mango de fijación del bisel de la hoja **3** para inclinar la hoja 32 de 0° a 45°.
- 3 El mango de fijación del bisel de la hoja** fija la hoja en el ángulo de bisel deseado.
- 4 La escala de biseles de la hoja** muestra el grado de inclinación de la hoja.
- 5 La base** soporta la sierra de mesa. Lo agujeros de la base permiten empujar la sierra a un banco de trabajo o una base de soporte.
- 6 La palanca de fijación de los rieles** le permite a usted fijar el tope-guía para cortar al hilo **9** a la distancia deseada de la hoja.
- 7 La perilla de ajuste de los rieles** se utiliza para ajustar la posición del tope-guía para cortar al hilo **9**.
- 8 El palo de empuje** es un dispositivo que se utiliza para hacer avanzar la pieza de trabajo a través de la sierra durante una operación de tipo de corte al hilo estrecha. Ayuda a mantener las manos del operador suficientemente alejadas de la hoja.
- 9 El tope-guía para cortar al hilo** se sujeta a los rieles **10** utilizando los pestillos de fijación y guía la pieza de trabajo paralela la hoja.
- 10 Los rieles** proporcionan puntos de montaje para el tope-guía para cortar al hilo **9** en la parte delantera y la parte trasera de la sierra.
- 11 El sistema de protector inteligente Smart Guard System** consiste en una cuchilla separadora de tres posiciones ajustable, un dispositivo antirretroceso y un ensamblaje de protector de barrera. Estos elementos son parte de un sistema modular que no necesita herramientas para ser ensamblado o desensamblado. El sistema de protector inteligente Smart Guard debe estar siempre en la posición adecuada y funcionando correctamente para todos los cortes de aserrado pasante.
- 12 El inserto de la mesa** proporciona soporte para la pieza de trabajo cerca de la hoja. Se puede retirar para desinstalar o instalar la hoja o cualquier otra herramienta de corte y para ajustar o almacenar la cuchilla separadora.
- 13 La mesa** proporciona una superficie de trabajo grande para soportar la pieza de trabajo.
- 14 La cabeza del calibre de ingletes** se puede fijar en el ángulo deseado para cortar transversalmente o a inglete apretando la perilla de fijación del calibre de ingletes. **FIJE SIEMPRE DE MANERA SEGURA EL CALIBRE DE INGLETES CUANDO SE ESTÉ UTILIZANDO.**
- 15 Los mangos de ajuste** se pueden utilizar para ayudar a posicionar la sierra. No están diseñados para utilizarse como mangos de transporte.
- 16 El mango de transporte con una mano** se utiliza para transportar la sierra.
- 17 El indicador de combustible** indica el nivel de carga aproximado que queda en el paquete de batería.
- 18 El tope-guía volteable** se acopla al tope-guía para cortar al hilo **9**. El tope-guía volteable, en la posición inferior, proporciona soporte para el material y, en la posición superior, proporciona soporte para piezas de trabajo de 1/8 a 3/4 de pulgada (3.2 a 20 mm).
- 19 El puerto de extracción de polvo/conexión de la aspiradora** le permite a usted conectar cualquier manguera de aspiración de 2-1/4 pulgadas al puerto de extracción de para polvo para retirar el aserrín de manera conveniente. Hay un adaptador disponible para utilizarse con tamaños de manguera alternativos.

Glosario

A Dispositivo antirretroceso (conocido también como retenedores o trinquetes): Trinquetes accionados por resorte que se acoplan a la pieza de trabajo mientras se hace que esta avance a través de la sierra. Restringen el movimiento de la pieza de trabajo hacia atrás, en dirección al operador.

A pulso: La realización de un corte sin utilizar un tope-guía, un calibre de ingletes, un dispositivo de fijación, un accesorio de sujeción u otro dispositivo adecuado para evitar que la pieza de trabajo se tuerza durante el corte y pueda constituir un peligro para la seguridad.

Aserrado no pasante: Toda operación de corte en la cual la hoja no atraviesa completamente la pieza de trabajo (p. ej., corte de mortajas, corte de rebajos).

Aserrado pasante: Toda operación de corte en la cual la hoja atraviesa completamente la pieza de trabajo.

Bisel: El ángulo de la hoja en relación con la superficie de la mesa.

Bloque de empuje: Un dispositivo que se utiliza para operaciones del tipo de corte al hilo demasiado estrechas para permitir el uso de un palo de empuje. Utilice un bloque de empuje para anchuras de corte al hilo de menos de 2 pulgadas.

Corte al hilo: Una operación de corte a lo largo de la longitud de la pieza de trabajo que corta dicha pieza con la anchura que se necesita.

Corte transversal: Una operación de corte o conformado que se realiza transversalmente a la anchura de la pieza de trabajo, que corta dicha pieza con la longitud que se necesita.

Cuchilla separadora o separador: Un dispositivo que mantiene la sección de corte de la pieza de trabajo abierta mientras se corta el material. Esto minimiza el potencial de que la pieza de trabajo se atore contra la hoja de sierra.

Eje portaherramienta: El eje en el cual se monta una herramienta de corte.

Extremo de avance: El extremo de la pieza de trabajo que, durante una operación del tipo de corte al hilo, es empujado primero hacia la herramienta de corte.

Goma: Un residuo pegajoso a base de savia de productos de madera. Después de endurecerse se le conoce como "resina".

Moldura: Un corte no pasante que produce una forma especial en la pieza de trabajo utilizada para realizar uniones o decoración.

Mortaja: Un corte no pasante que produce una muesca o acanaladura de lados en ángulo recto en la pieza de trabajo.

Palo de empuje: Un dispositivo que se utiliza para hacer avanzar la pieza de trabajo a través de la sierra durante una operación del tipo de corte al hilo estrecha y que ayuda a mantener las manos del operador suficientemente alejadas de la hoja. Utilice un palo de empuje para anchuras de corte al hilo de menos 6 pulgadas (152 mm) y más de 2 pulgadas (51 mm).

Paralelo: Posición del tope-guía para cortar al hilo igual en distancia en cada punto respecto a la cara lateral de la hoja de sierra.

Perpendicular: Intersección o posición a 90° (ángulo recto) de los planos vertical y horizontal, como por ejemplo la posición de la hoja de sierra (vertical) respecto a la superficie de la mesa (horizontal).

Pieza de trabajo: El objeto en el cual se está realizando la operación de corte. Las superficies de una pieza de trabajo se conocen comúnmente como caras, extremos y bordes.

Protector de barrera: Un ensamblaje que consiste en la horquilla de montaje y dos barreras laterales. Este ensamblaje está diseñado para ofrecer una barrera física entre el operador y la hoja de sierra que gira.

Protector inteligente Smart Guard: Un sistema integrado por 3 componentes: Cuchilla separadora / separador, dispositivo antirretroceso y protector de barrera principal.

Rebajo: Una muesca en el borde de la pieza de trabajo. También se le llama mortaja de borde.

Rechazo: Evento en que un pequeño pedazo cortado es enganchado por la parte trasera de la hoja y lanzado hacia el operador.

Retroceso: Un agarre y un lanzamiento incontrolados de la pieza de trabajo hacia atrás, hacia la parte delantera de la sierra, durante una operación del tipo de corte al hilo.

Revoluciones por minuto (R.P.M.): El número de vueltas que un objeto que gira completa en un minuto.

Sección de corte: El espacio de la pieza de trabajo donde la hoja retiró el material.

Tabla con canto biselado: Un dispositivo que puede ayudar a guiar las piezas de trabajo durante una operación del tipo de corte al hilo, manteniendo la pieza de trabajo en contacto con el tope-guía para cortar al hilo. También ayuda a prevenir el retroceso.

Talonaje: Desalineación de la hoja que hace que el lado posterior o de salida de la hoja entre en contacto con la superficie cortada de la pieza de trabajo. El talonaje puede causar retroceso, atoramiento, fuerza excesiva, quemadura de la pieza de trabajo o astillamiento. En general, el talonaje produce un corte de mala calidad y puede constituir un peligro para la seguridad.

Desempaquetado y comprobación del contenido

Desempaquetado de la sierra de mesa

(Fig. 2, Fig. 3, Fig. 4)

ADVERTENCIA Para evitar lesiones por causa de un arranque inesperado o descargas eléctricas durante el desempaquetado y el montaje, no inserte el paquete de batería.

ADVERTENCIA Si cualquiera de las piezas falta, no intente ensamblar la sierra de mesa, insertar el paquete de batería o poner el interruptor en la posición de encendido hasta que todas las piezas que falten hayan sido obtenidas e instaladas correctamente.

Esta sierra de mesa se envía completa en una caja de cartón.

Separe todas las piezas de los materiales de empaquetamiento y compruebe cada una de ellas con la ilustración y la lista de piezas sueltas, para asegurarse de que estén todos los artículos antes de desechar cualquier material de empaquetamiento.

Piezas sueltas (Fig. 2)

Artículo	Descripción	Cant.
A	Ensamblaje de la sierra de mesa	1
B	Ensamblaje del protector de barrera	1
C	Dispositivo antirretroceso	1
D	Calibre de ingletes	1
E	Inserto de la mesa	1

Piezas almacenadas en la sierra (Fig. 3)

F	Tope-guía para cortar al hilo	1
G	Llave hexagonal	1
H	Palo de empuje	1
I	Llave de tuerca para la hoja	1

Artículos que hay que retirar (Fig. 4)

J	Bloque de espuma de estireno	1
---	------------------------------	---

NOTA: Incline la sierra hacia arriba para obtener acceso a la parte inferior de la misma y retire el bloque de espuma de estireno J (que se incluye solo para fines de envío) que esté ubicado entre la parte inferior de la mesa 13 y el motor 20. Si el bloque de espuma de estireno no se retira, es posible que usted cause daños al sistema de elevación de la hoja mientras esté intentando subir al hoja.

Fig. 2

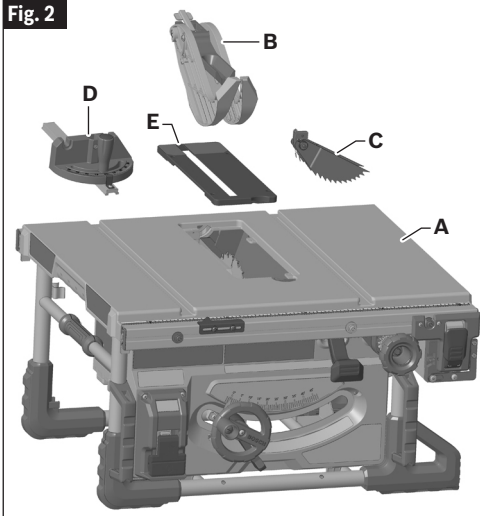


Fig. 3

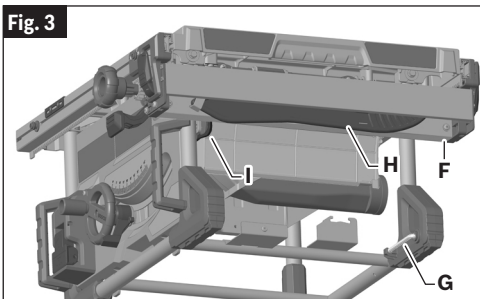
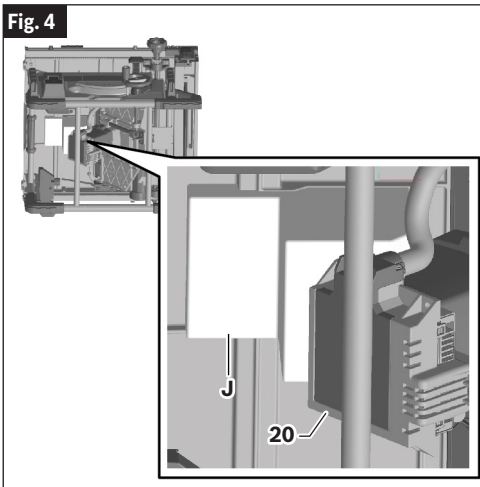
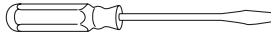


Fig. 4

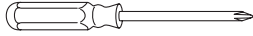


Herramientas necesarias para el ensamblaje

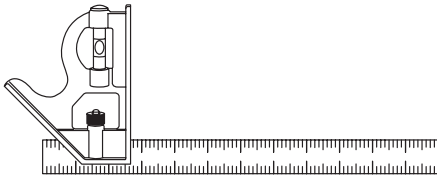
Fig. 5



Destornillador plano



Destornillador Phillips



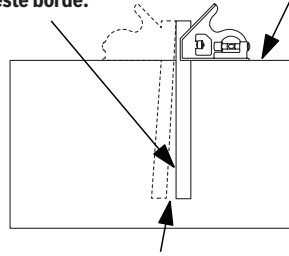
Escuadra de combinación

Fig. 6

La escuadra de combinación debe estar alineada.

Trace una línea ligera en la tabla a lo largo de este borde.

Borde recto de la tabla de 3/4 de pulgada (19 mm) de grosor. Este borde debe ser perfectamente recto.



No deberá haber espacio libre ni superposición aquí al voltear la escuadra sobre la posición de la línea de puntos.

Ensamblaje

⚠ ADVERTENCIA Para prevenir lesiones corporales, desconecte siempre el paquete de batería antes de realizar cualquier ensamblaje, ajuste o reparación.

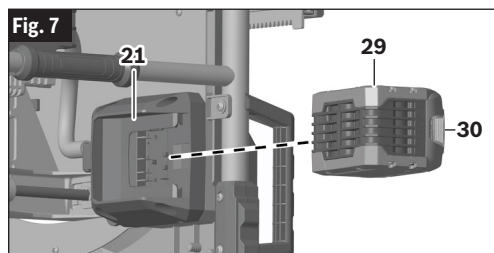
Inserción y liberación del paquete de batería

(Fig. 7)

Deslice un paquete de batería cargado **29** hacia el interior de la bahía de la batería **21** hasta que el paquete de batería **29** quede fijo en la posición correcta.

Esta herramienta está equipada con un pestillo de fijación secundario para evitar que el paquete de batería **29** se caiga completamente de la bahía de la batería **21**, en el caso de que se afloje debido a la vibración.

Para desconectar el paquete de batería **29**, presione el botón de liberación del paquete de batería **30** y deslice el paquete de batería **29** completamente hacia fuera de la bahía de la batería **21**.

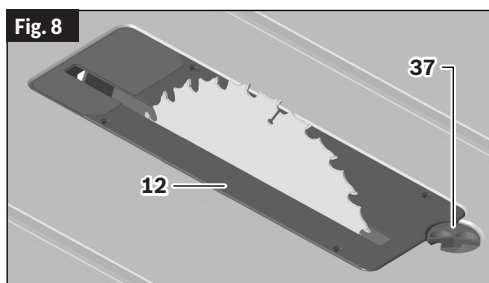


Desinstalación e instalación del inserto de la mesa

Desinstalación del inserto de la mesa

(Fig. 8)

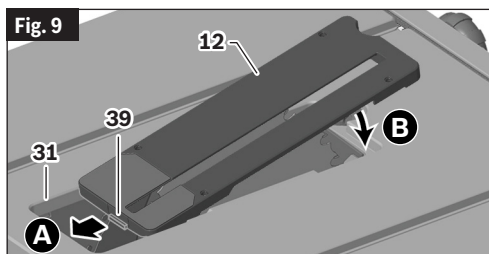
1. Rote el cierre del inserto de la mesa **37** en el sentido de las agujas del reloj.
2. Levante el inserto de la mesa **12** por el borde delantero hasta separarlo de la mesa.



Instalación del inserto de la mesa

(Fig. 8, Fig. 9)

3. Posicione la lengüeta del inserto de la mesa **39** dentro del bolsillo **A** y coloque el inserto de la mesa **12** hacia abajo **B**.
4. Asegúrese de que el inserto de la mesa **12** esté asentado adecuadamente y fíjelo utilizando el cierre del inserto de la mesa **37**.



Ensamblaje

Instalación del sistema de protector inteligente Smart Guard

⚠ ADVERTENCIA Para prevenir lesiones corporales, desconecte siempre el paquete de batería antes de instalar o desinstalar el sistema de protector inteligente Smart Guard.

Posicionamiento de la cuchilla separadora

(Fig. 1, Fig. 10, Fig. 11, Fig. 12)

⚠ ADVERTENCIA Fije completamente la cuchilla separadora antes de utilizar la sierra de mesa. Es posible que una cuchilla separadora floja se deslice hacia la hoja y sea lanzada hacia usted.

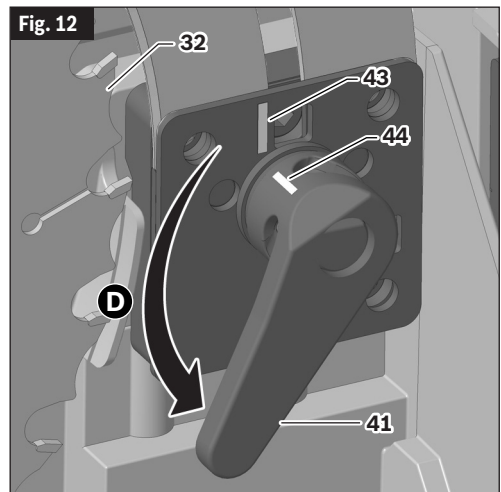
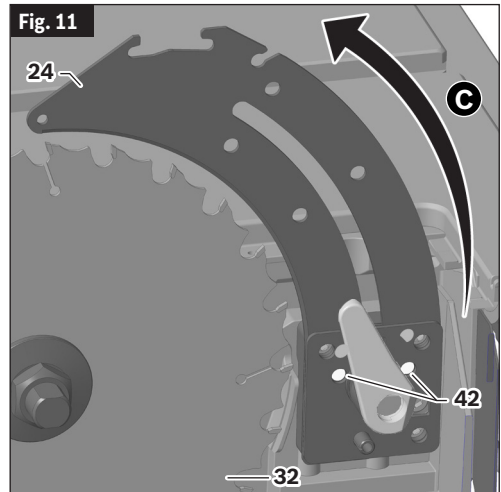
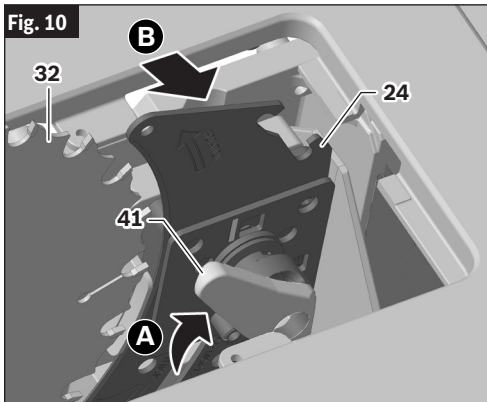
1. Retire el inserto de la mesa **12**. Consulte "Desinstalación del inserto de la mesa" en la página 144.
2. Suba la hoja **32** tanto como sea posible rotando la rueda de elevación **2** en el sentido de las agujas del reloj y coloque la hoja **32** perpendicular a la mesa **13**, 0° en la escala de bisel de la hoja **4**.
3. Desbloquee la palanca de liberación de la cuchilla separadora **41** rotándola en el sentido de las agujas del reloj para que apunte hacia arriba **A**.
4. Jale la cuchilla separadora **24** hacia la palanca de liberación para desacoplarla de las espigas **B**.

NOTA: Hay una ligera fuerza de resorte que se debe superar para liberar la cuchilla separadora **24**.

5. Deslice la cuchilla separadora **24** hacia arriba hasta su posición más alta **C** para que esté directamente sobre el centro de la hoja **32**.
6. Alinee los agujeros ubicados en la cuchilla separadora **24** con las espigas para la cuchilla separadora **42** y asegúrese de que las espigas **42** se acoplen en los agujeros de la cuchilla separadora **24**. Bloquee la palanca de

liberación de la cuchilla separadora **41** rotándola en sentido contrario al de las agujas del reloj. Empuje firmemente la palanca de liberación **41** para fijar la cuchilla separadora **24** y luego empuje/jale la cuchilla separadora **24** para verificar que está fija en la posición correcta. La línea indicadora ubicada en la abrazadera de la cuchilla separadora **43** y la línea indicadora ubicada en la palanca de liberación de la cuchilla separadora **44** deben estar alineadas.

7. Compruebe la alineación de la cuchilla separadora **24** con la hoja **32**. Consulte "Alineación de la cuchilla separadora" en la página 162. Si la cuchilla separadora **24** no está alineada con la hoja **32**, repita el proceso de posicionamiento de la cuchilla separadora **24** y asegúrese de



Ensamblaje

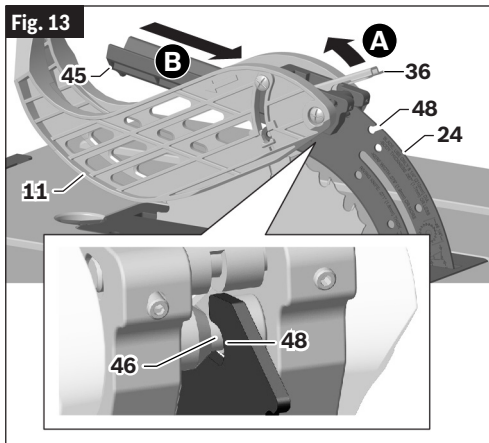
que las espigas **42** estén completamente acopladas en los agujeros de la cuchilla separadora.

- Reinstale el inserto de la mesa **12** y fíjelo. Consulte "Instalación del inserto de la mesa" en la página 144.

Instalación del ensamblaje del protector de barrera

(Fig. 13, Fig. 14)

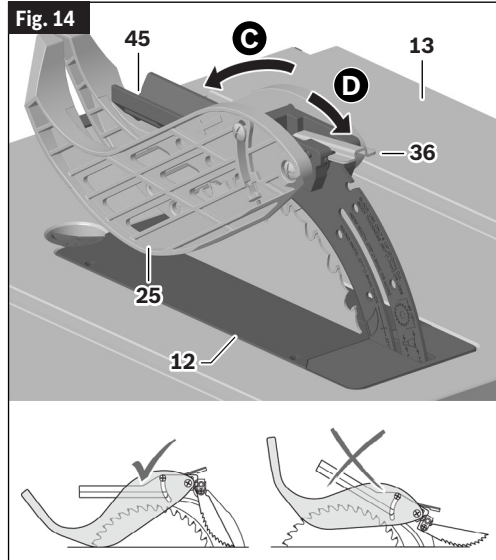
- Con una mano, agarre la parte delantera del ensamblaje del protector de barrera **11** por la horquilla **45**. Con la otra mano, agarre la palanca de liberación del ensamblaje del protector de barrera **36** hacia arriba **A**.
- Baje la parte trasera del ensamblaje del protector de barrera **25** y deslice su barra transversal **46** hacia el interior de la muesca **48** ubicada en el extremo de la cuchilla separadora **24** **B**.
- Baje la parte delantera del ensamblaje del protector de barrera **25** hasta que la horquilla **45** esté paralela a la mesa **13** **C**.
- Presione hacia abajo sobre la palanca de liberación del protector **36** hasta que sienta y oiga que se acopla a presión en la posición de bloqueo **D**. Compruebe que el ensamblaje del protector de barrera **25** esté conectado firmemente.



Instalación del dispositivo antirretroceso

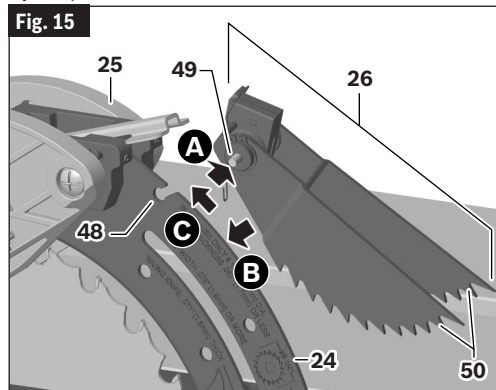
(Fig. 15)

- Comprima la espiga de compresión del dispositivo antirretroceso **49** **A** y posicione el dispositivo antirretroceso **26** sobre el borde superior de la cuchilla separadora **24**, debajo de la muesca **48** **B**.



- Deslice el dispositivo antirretroceso **26** hacia arriba por el borde superior de la cuchilla separadora **24** hasta que caiga en la muesca **48** **C**.
- Libere la espiga de compresión **49** para que el dispositivo antirretroceso **26** quede fijo sobre la cuchilla separadora **24** inmediatamente detrás del ensamblaje del protector de barrera **25**.
- Compruebe que la espiga de compresión **49** esté firmemente conectada dentro de la muesca **48** subiendo y bajando cuidadosamente los trinquetes **50**. Cuando suelte los trinquetes accionados por resorte **50**, estos deben bajar y entrar en contacto con el inserto de la mesa **12**.

NOTA: El dispositivo antirretroceso **26** es independiente del ensamblaje del protector de barrera **25**, por lo que el dispositivo antirretroceso **26** se puede instalar antes que el ensamblaje del protector de barrera **25**.



Selección y cambio de la hoja

⚠ ADVERTENCIA Para evitar posibles lesiones, desconecte el paquete de batería antes de cambiar las hojas.

Utilización de la hoja correcta

(Fig. 16)

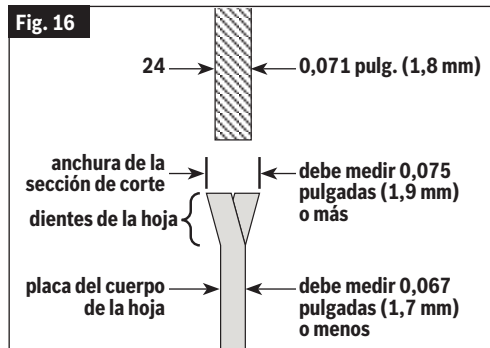
IMPORTANTE: La hoja de sierra suministrada en esta herramienta tiene una anchura de sección de corte de las puntas de carburo de 0,075 pulgadas (1,9 mm) y un grosor de la placa del cuerpo de la hoja de 0,067 pulgadas (1,7 mm). Cuando busque una hoja de repuesto, seleccione una que tenga dimensiones próximas a las de la hoja original. Es posible que esta información no esté impresa en el paquete de la hoja. Si no lo está, consulte el catálogo o el sitio web del fabricante. Bosch ofrece una extensa línea de hojas de sierra profesionales de calidad premium que cumplen con los requisitos de esta herramienta. Usted debe seleccionar una hoja con una anchura de sección de corte de 0,075 pulgadas (1,9 mm) o más y un grosor de la placa del cuerpo de la hoja de 0,067 pulgadas (1,7 mm) o menos.

⚠ ADVERTENCIA Para reducir el riesgo de lesiones, no utilice hojas de sierra con sección de corte extradelgada. La sección de corte de la hoja debe tener una anchura de más de 0,075 pulgadas (1,9 mm). Es posible que las hojas de sierra extradelgadas con una anchura de sección de corte de menos de 0,075 pulgadas (1,9 mm) hagan que la pieza de trabajo se atore contra la cuchilla separadora durante el corte. Se recomienda que la sección de corte de la hoja de repuesto utilizada en esta sierra sea de 0,075 pulgadas (1,9 mm) o más.

⚠ ADVERTENCIA Para reducir el riesgo de lesiones hechas con una placa de cuerpo gruesa. Si el grosor de la placa de la hoja de sierra de repuesto es mayor de 0,067 pulgadas (1,7 mm), la cuchilla separadora no serviría adecuadamente como auxiliar para reducir el retroceso. El grosor de la placa de la hoja de repuesto debe ser de 0,067 pulgadas (1,7 mm) o menos.

⚠ ADVERTENCIA Para reducir el riesgo de lesiones, “estabilizadores” ni “collarines rigidizadores” de la hoja a ambos lados de una hoja de repuesto. Estos dispositivos son placas metálicas que se posicionan contra los lados de la hoja para reducir la desviación que puede ocurrir cuando se utilizan hojas de sierra delgadas. La utilización de estos dispositivos a ambos lados impedirá que la hoja se alinee apropiadamente con la cuchilla separadora, lo cual puede atorar la pieza de trabajo durante la realización del corte. Se puede colocar una placa “estabilizadora” solamente contra el lado

exterior de una hoja de repuesto delgada. Estas placas no se requieren con la hoja Bosch suministrada.



Cambio de la hoja

(Fig. 1, Fig. 17, Fig. 18, Fig. 19)

⚠ PRECAUCIÓN Use siempre guantes cuando cambie o maneje las hojas. Las puntas de las hojas pueden causar lesiones corporales.

1. Gire la rueda de elevación **2** en el sentido de las agujas del reloj hasta que la hoja **32** esté hacia arriba tanto como sea posible.
2. Retire el inserto de la mesa **12**. Consulte “Desinstalación del inserto de la mesa” en la página 144.
3. Levante la palanca de fijación del eje portaherramienta **51** **A** y rote lentamente la hoja **32** a mano hasta que el cierre acople completamente el vástago del eje portaherramienta **52** y detenga la rotación.
4. Afloje la tuerca del eje portaherramienta **53** en sentido contrario al de las agujas del reloj **B** con la llave de tuerca para la hoja **27** suministrada.
5. Ponga la llave de tuerca para la hoja **27** a un lado, continúe aflojando la tuerca del eje portaherramienta **53** a mano y retire la tuerca del eje portaherramienta **53** y la arandela externa **54**. La hoja **32** se podrá retirar ahora deslizándola hasta separarla del vástago del eje portaherramienta **52**, dejando la arandela interna **55** en el vástago del eje portaherramienta **52**.
6. Instale la hoja nueva **32** en el vástago del eje portaherramienta **52**, ASEGURÁNDOSE DE QUE LOS DIENTES DE LA HOJA **32** ESTÉN APUNTANDO HACIA ABAJO EN LA PARTE DELANTERA DE LA MESA **13**.

NOTA: Diferentes hojas de sierra tienen la impresión en diferentes lados.

7. Instale la arandela externa **54** y la tuerca del eje portaherramienta **53**.

Ensamblaje

- Levante la palanca de fijación del eje portaherramienta **51** y apriete firmemente la tuerca del eje portaherramienta **53** en el sentido de las agujas del reloj **C** con la llave de tuerca para la hoja **27**.
- Reinstale y fije el inserto de la mesa **12**. Consulte “Instalación del inserto de la mesa” en la página 144.

Fig. 17

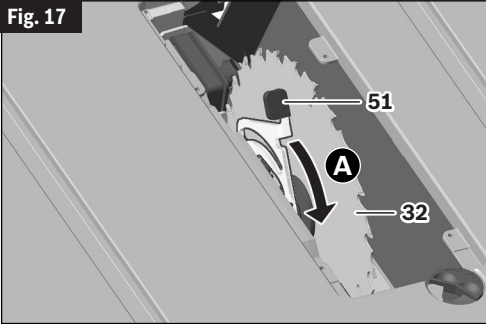


Fig. 18

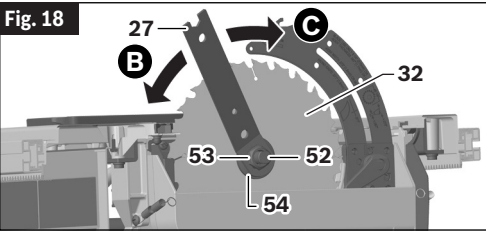
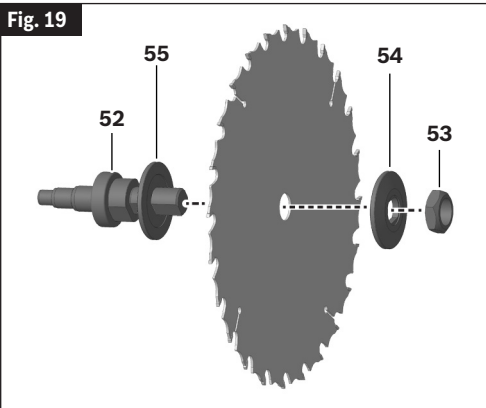


Fig. 19



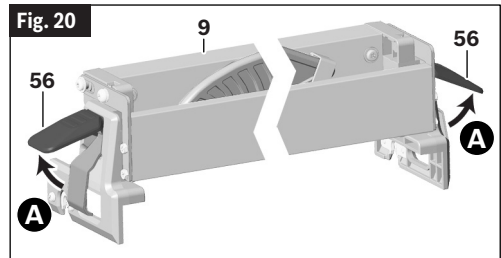
Instalación del tope-guía para cortar al hilo

(Fig. 20, Fig. 21, Fig. 22, Fig. 23, Fig. 24, Fig. 25)

- Asegúrese de que la palanca de fijación de los rieles **6** esté en la posición bloqueada.
- Levante las palancas de fijación del tope-guía para cortar al hilo **56** en ambos extremos del tope-guía para cortar al hilo **9** para que estén en la posición liberada **A**.
- Oriento el tope-guía para cortar al hilo **9** sobre una de las tres parejas de pasadores de guía del tope guía para cortar al hilo, **57**, **58**, o **59** de manera que el tope-guía volteable **18**, en su posición almacenada, esté orientado alejándose de la hoja **32** y el sistema de protector inteligente Smart Guard **11**.
- Baje el tope-guía para cortar al hilo **9** hasta los rieles **10** de manera que las muescas ubicadas en el soporte del tope-guía para cortar al hilo **60** se alineen con la pareja de pasadores de guía del tope-guía para cortar al hilo que usted ha seleccionado, **57**, **58**, o **59**, y baje el tope-guía para cortar al hilo **9** sobre la pareja de pasadores de guía **B**.
- Trabe las palancas de fijación del tope-guía para cortar al hilo **56** en ambos extremos del tope-guía para cortar al hilo **9** **C**.

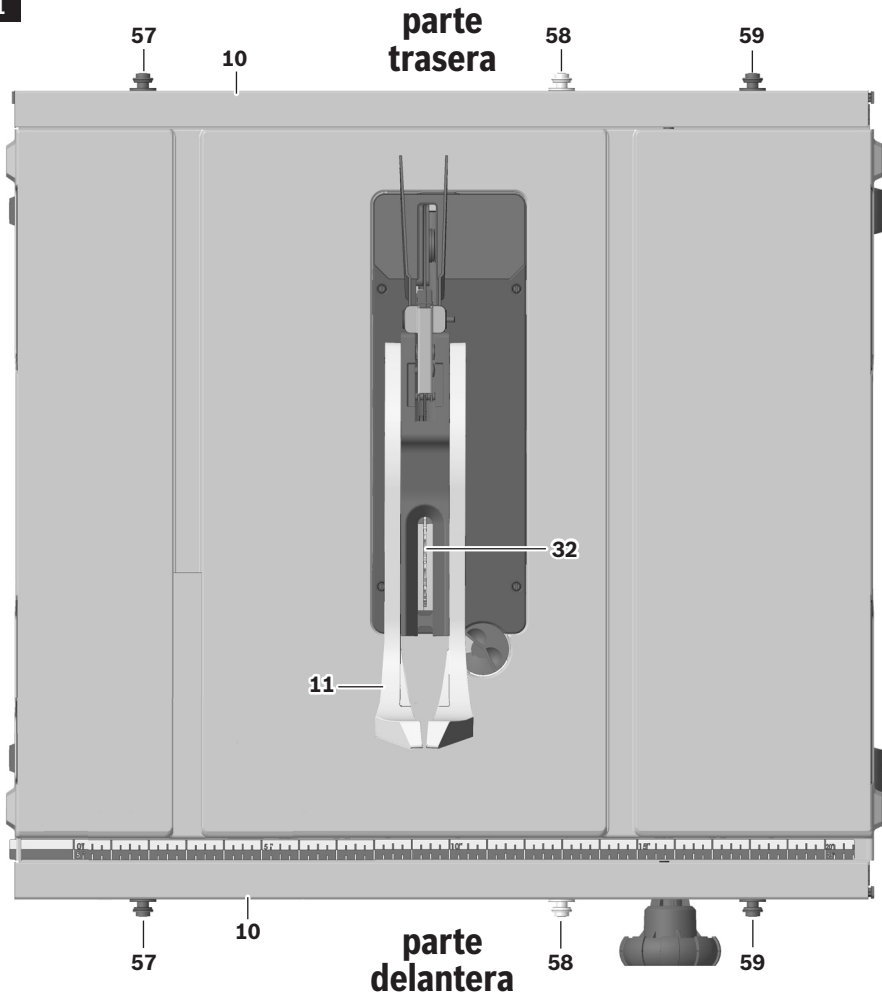
NOTA: Para cómo poner el tope-guía volteable **18** en su posición de almacenamiento, consulte “Almacenamiento del tope-guía para cortar al hilo” en la página 152.

Fig. 20



Ensamblaje

Fig. 21



Ensamblaje

Fig. 22

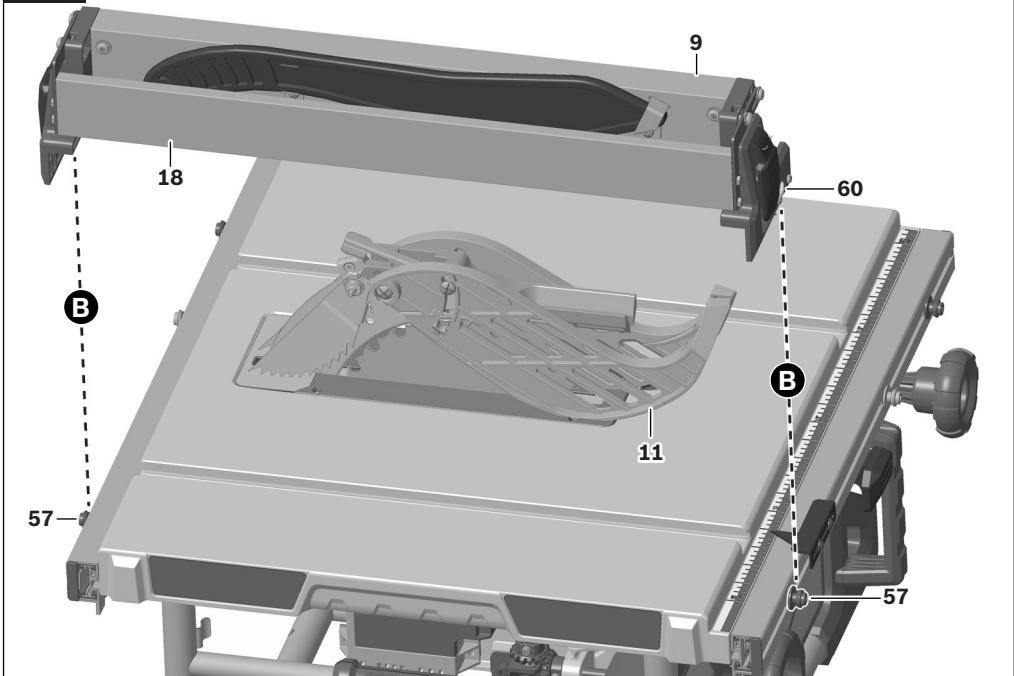
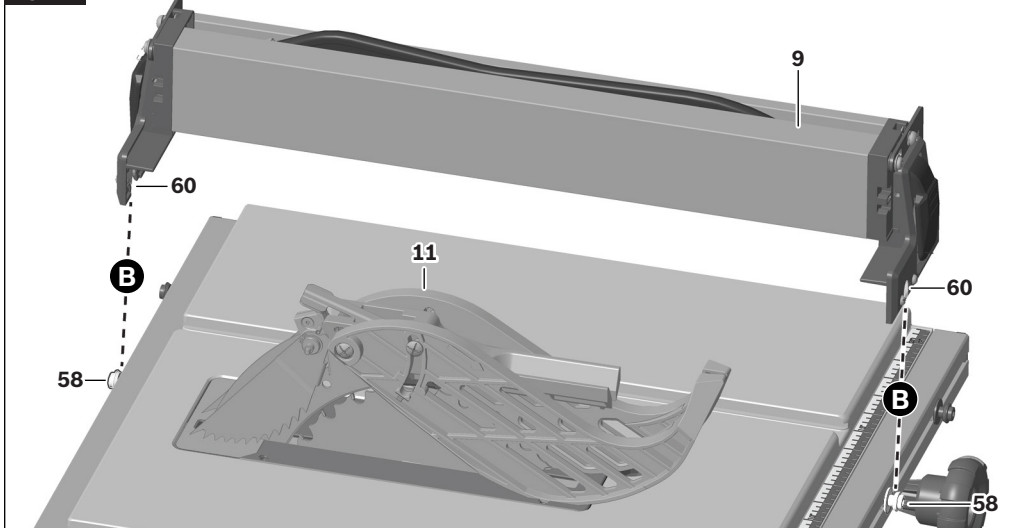


Fig. 23



Ensamblaje

Fig. 24

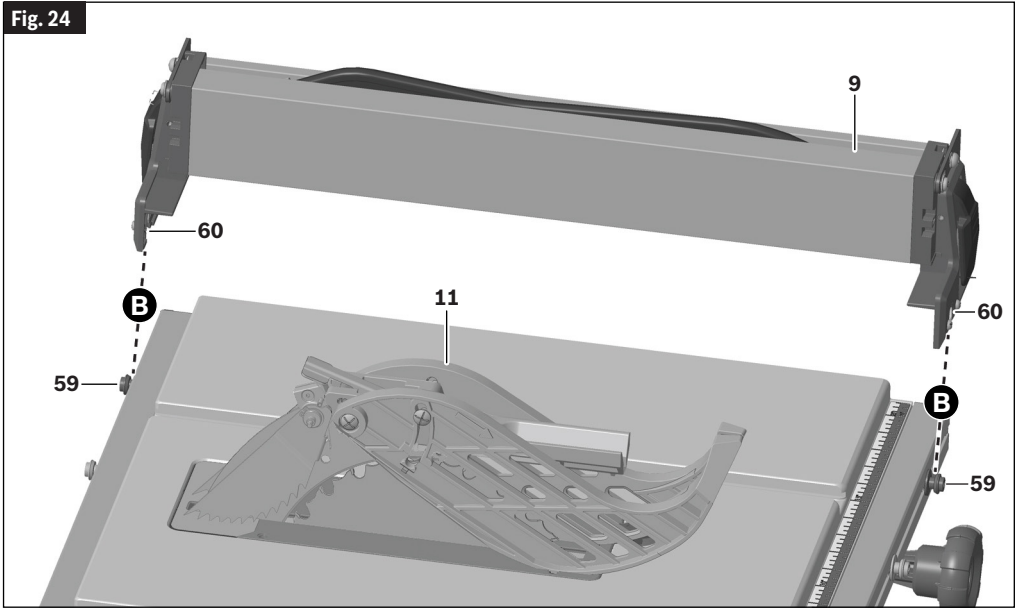
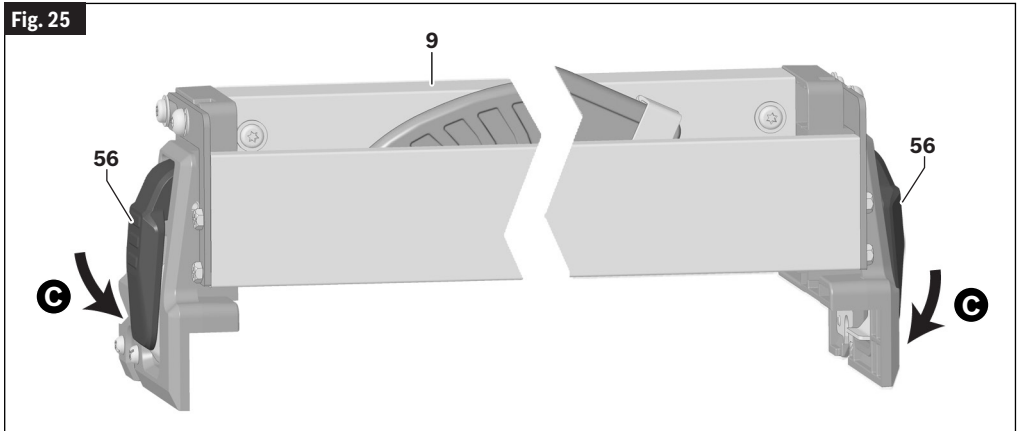


Fig. 25



Almacenamiento, transporte y montaje

⚠ ADVERTENCIA Para prevenir lesiones corporales, desconecte siempre el paquete de batería antes de realizar cualquier ensamblaje, ajuste o reparación.

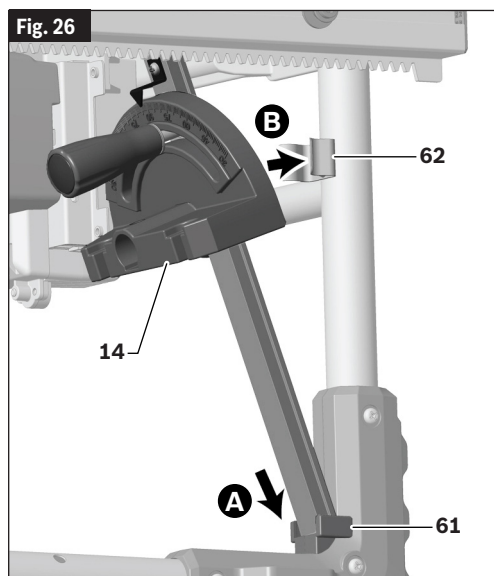
Almacenamiento del calibre de ingletes

(Fig. 26)

Cuando no se esté utilizando, almacene el calibre de ingletes debajo del lado trasero izquierdo de la mesa.

1. Inserte el extremo delantero del calibre de ingletes **14** en la ranura de almacenamiento del calibre de ingletes **61** ubicada en el pie trasero izquierdo de la sierra **A**.
2. Acople a presión la extrusión del calibre de ingletes en el clip de almacenamiento del calibre de ingletes **62** **B**.
3. Para retirar el calibre de ingletes **14** de su ubicación de almacenamiento, invierta los pasos que anteceden.

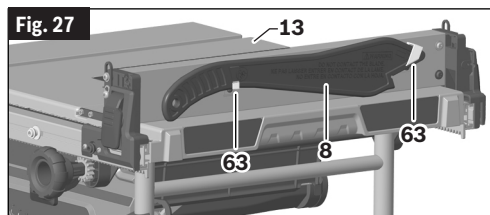
NOTA: Es posible que el clip de almacenamiento del calibre de ingletes **62** esté rígido y con ello requiera un esfuerzo adicional para asentar completamente o retirar la extrusión del calibre de ingletes. Si es necesario, la barra del calibre de ingletes **14** se puede insertar o retirar de lado en lado para reducir el esfuerzo requerido.



Almacenamiento del palo de empuje

(Fig. 27)

Cuando no se esté utilizando, almacene el palo de empuje **8** en los clips para el palo de empuje **63** ubicados en el tope-guía para cortar al hilo **9**.



Almacenamiento del tope-guía para cortar al hilo

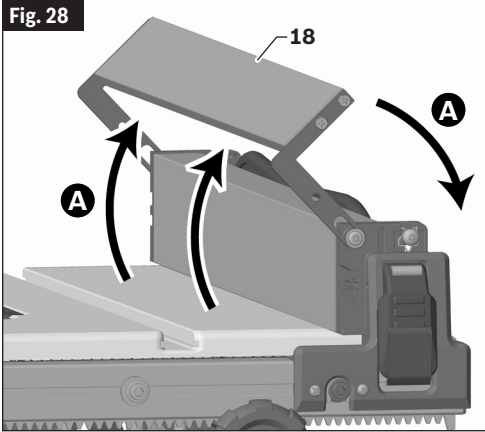
(Fig. 28, Fig. 29, Fig. 30)

Cuando no se esté utilizando, almacene el tope-guía para cortar al hilo **18** debajo del extremo derecho de la mesa sobre los rieles **10**.

1. Asegúrese de que el tope-guía volteable **18** esté en su posición de almacenamiento **A**.
2. Desbloquee ambas palancas de fijación del tope-guía para cortar al hilo **6**.
3. Retire el tope-guía para cortar al hilo **9** de su posición de utilización sobre los rieles **10**. Para obtener más información, consulte "Instalación del tope-guía para cortar al hilo" en la página 148.
4. Desbloquee los rieles **10** y extiéndalos aproximadamente 2 pulgadas (50 mm) hacia la derecha de la mesa **13**.
5. En el lado derecho de la sierra, agarre el tope-guía para cortar al hilo **9** en posición invertida debajo de los rieles **10**. Asegúrese de que el tope-guía volteable **18** esté orientado hacia el exterior de la sierra.
6. Coloque el tope-guía para cortar al hilo **9** sobre los pasadores de guía derechos negros delantero y trasero del tope-guía para cortar al hilo **59**. Continúe soportando el tope-guía para cortar al hilo **9**.
7. Trabe ambas palancas de fijación del tope-guía para cortar al hilo **6**.
8. Deslice el tope-guía para cortar al hilo **9** hasta que esté alineado con el borde de la mesa **13**. Luego, active la palanca de fijación de los rieles **6**.

Almacenamiento, transporte y montaje

Fig. 28



Almacenamiento del sistema de protector inteligente Smart Guard

⚠ ADVERTENCIA Se recomienda enfáticamente utilizar todos los componentes del sistema de protector inteligente Smart Guard, incluyendo el ensamblaje del protector de barrera, el dispositivo antirretroceso y la cuchilla separadora, para proporcionar protección contra accidentes y lesiones.

Almacenamiento del ensamblaje del protector de barrera

(Fig. 31)

Cuando no se esté utilizando, almacene el ensamblaje del protector de barrera **25** debajo del lado derecho de la mesa **13**.

Fije el ensamblaje del protector de barrera **25** en la ubicación correcta en la posición de almacenamiento del ensamblaje del protector de barrera **64** de la misma manera que lo instalaría en la cuchilla separadora **24**, pero en la muesca de la posición de almacenamiento del ensamblaje del protector de barrera **65 A B C D**. (Consulte "Instalación del ensamblaje del protector de barrera" en la página 146).

Fig. 29

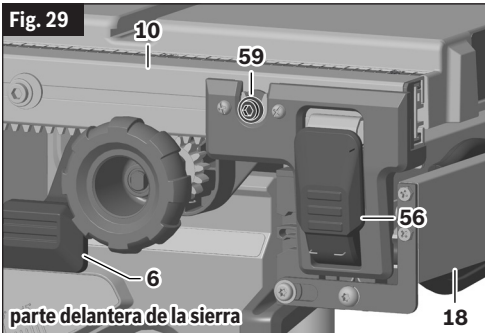
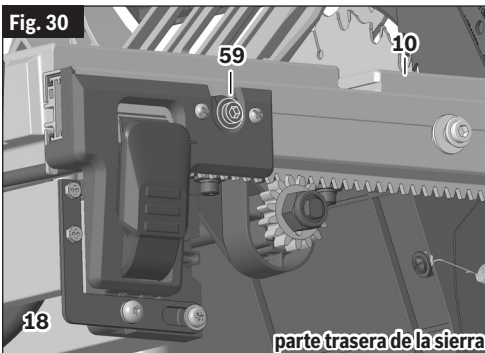
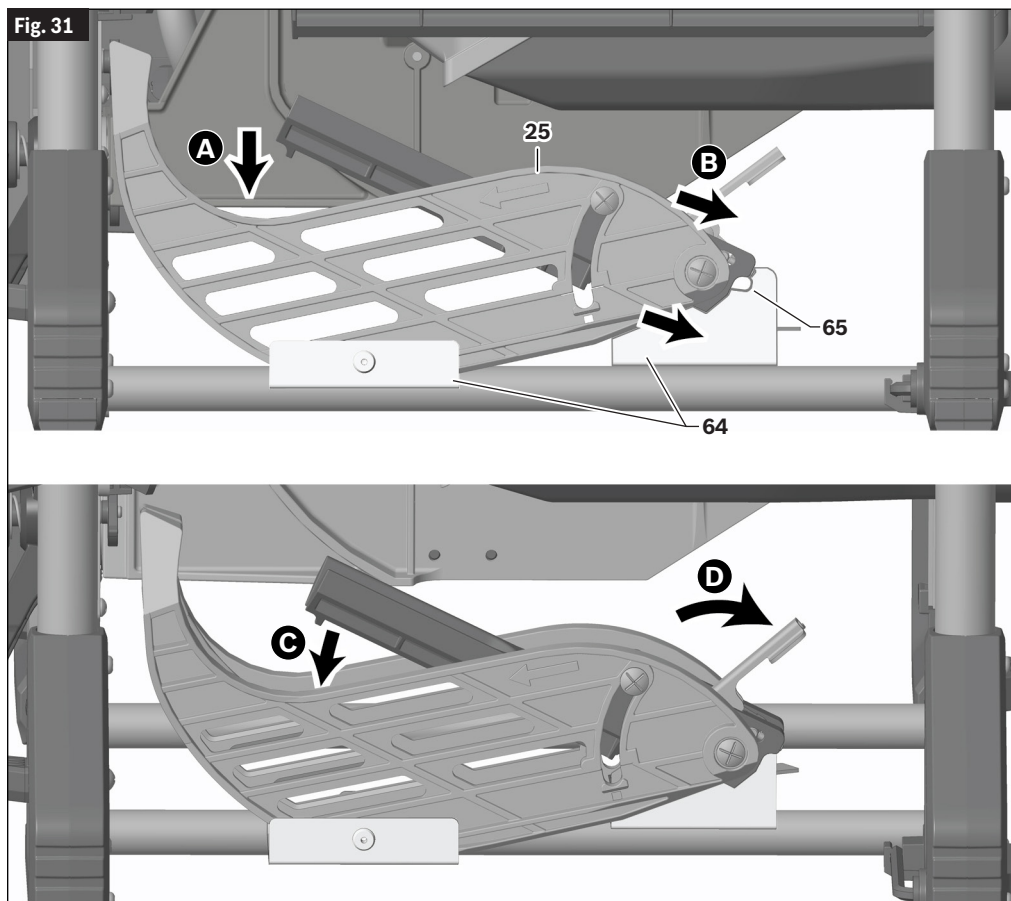


Fig. 30



Almacenamiento, transporte y montaje

Fig. 31



Almacenamiento, transporte y montaje

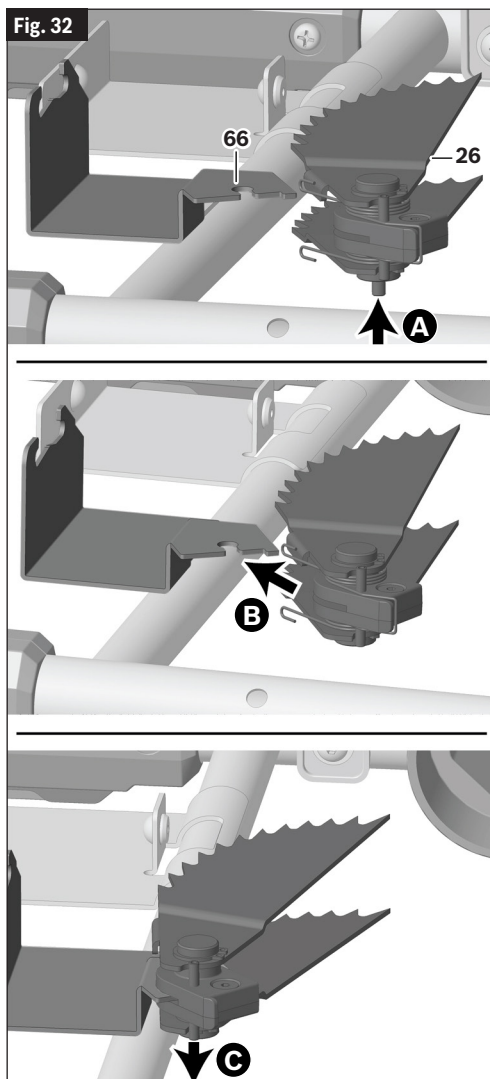
Almacenamiento del dispositivo antirretroceso

(Fig. 32)

Cuando no se esté utilizando, almacene el dispositivo antirretroceso **26** debajo del lado derecho de la mesa **13**.

Acople el dispositivo antirretroceso **26** al soporte de suspensión del dispositivo antirretroceso **66** de la misma manera en que se acopla a la cuchilla separadora **24** **A** **B** **C**. (Consulte "Instalación del dispositivo antirretroceso" en la página 146).

Asegúrese de que el dispositivo antirretroceso **26** esté firmemente acoplado al soporte de suspensión del dispositivo antirretroceso **66**.



Almacenamiento, transporte y montaje

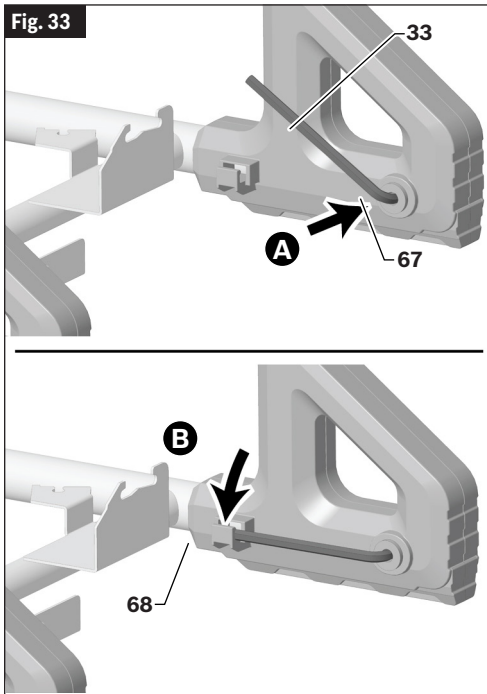
Almacenamiento de la llave hexagonal

(Fig. 33)

Cuando no se esté utilizando, almacene la llave hexagonal **33** en el pie trasero derecho de la base de la sierra de mesa **5**.

Para almacenar la llave hexagonal:

1. Deslice el extremo corto de la llave hexagonal **33** hacia el interior del puerto de almacenamiento de la llave hexagonal **67** provisto cerca del pie trasero derecho de la sierra **A**.
2. Rote la llave hexagonal **33** en sentido contrario al de las agujas del reloj y empújela hasta que el extremo largo de la llave **33** se acople a presión en el soporte de almacenamiento de la llave hexagonal **68 B**.



Almacenamiento de la llave de tuerca para la hoja

(Fig. 34)

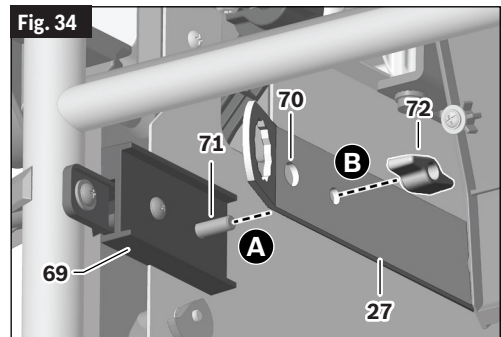
Cuando no se esté utilizando, almacene la llave de tuerca para la hoja **27** en el soporte de la llave de tuerca para la hoja **69** provisto en el lado delantero derecho de la sierra, directamente debajo de la mesa **13**.

Para almacenar la llave de tuerca para la hoja:

1. Alinee el agujero de montaje ubicado en la llave de tuerca para la hoja **70** con la varilla roscada **71** ubicada en el soporte de la llave de tuerca para la hoja **69** y deslice la llave de tuerca para la hoja **27** sobre la varilla roscada **71** hasta que la llave de tuerca para la hoja **70** se acomode en el soporte de la llave de tuerca para la hoja **69 A**.
2. Para fijar la llave de tuerca para la hoja **27** en la posición correcta, instale la tuerca de mariposa **72** suministrada en la varilla roscada **71 B** y apriétela.

Para retirar la llave de tuerca para la hoja **27**:

1. En el soporte de la llave de tuerca para la hoja **69**, afloje la tuerca de mariposa **72** que fija la llave de tuerca para la hoja **27** sobre la varilla roscada **71**.
2. Deslice la llave de tuerca para la hoja **27** hasta separarla de la varilla roscada **71** y reinstale la tuerca de mariposa **72**.



Almacenamiento, transporte y montaje

Transporte de la sierra

(Fig. 1, Fig. 35, Fig. 36)

⚠ ADVERTENCIA Para prevenir lesiones corporales, desconecte siempre el paquete de batería antes de transportar la sierra.

Para transportar la sierra por el sitio de construcción, la sierra incluye dos mangos de transporte fundidos con la pieza **34** a cada lado de la mesa **13** y un mango de transporte con una mano **16**. LEVANTE ESTA SIERRA SOLO POR LOS MANGOS DE TRANSPORTE FUNDIDOS CON LA PIEZA **34** O POR EL MANGO DE TRANSPORTE CON UNA MANO **16**. NO UTILICE LOS MANGOS DE AJUSTE **15** PARA TRANSPORTAR LA SIERRA.

1. Asegúrese de que el paquete de batería **29** esté desconectado. Consulte "Inserción y liberación del paquete de batería" en la página 143.
 2. Asegúrese de que el calibre de ingletes **14**, el tope-guía para cortar al hilo **9** y los componentes del sistema de protector inteligente Smart Guard **11** estén en sus posiciones de almacenamiento. Consulte "Almacenamiento del calibre de ingletes" en la página 152, "Almacenamiento del tope-guía para cortar al hilo" en la página 152 y "Almacenamiento del sistema de protector inteligente Smart Guard" en la página 153.
 3. Asegúrese de que la palanca de fijación de los rieles **6** esté en la posición bloqueada.
 4. Ajuste la cuchilla separadora **24** a su posición central. Consulte "Cuchilla separadora (separador)" en la página 167.
 5. Baje la hoja **32** tanto como sea posible girando la rueda de elevación **2** en sentido contrario al de las agujas del reloj.
 6. **Para el transporte con una mano:**
 - Coloque la sierra sobre su lado en el piso con el mango de transporte con una mano **16** orientado hacia arriba.
 - Levante la sierra por el mango de transporte con una mano **16**, asegurándose de que la parte superior de la mesa **13** esté orientada hacia la pierna del operador.
- Para el transporte con las dos manos:**
- Con la sierra en posición al derecho, agarre los mangos de transporte fundidos con la pieza **34** moldeados a ambos lados de la mesa **13**.
 - Levante la sierra para separarla de la superficie.

Fig. 35

transporte con una mano

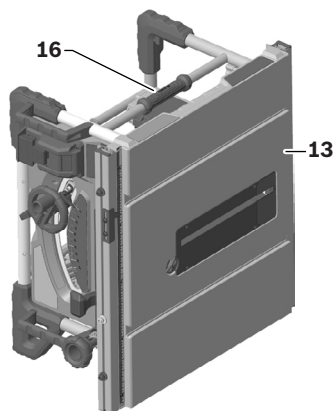
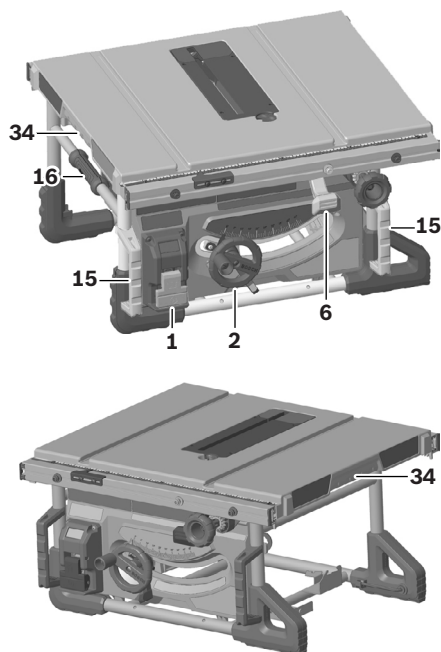


Fig. 36

transporte con las dos manos



Almacenamiento, transporte y montaje

Montaje de la sierra de mesa

(Fig. 37, Fig. 38)

⚠ ADVERTENCIA Para prevenir lesiones corporales, desconecte siempre el paquete de batería antes de montar la sierra.

Pour éviter tout mouvement pendant la coupe, la scie à table doit être solidement fixée à un support ou à un établi, à l'aide des quatre trous de montage 35.

Si la scie est montée sur un établi, la base 5 doit être fixée à l'aide de quatre vis de 89 mm / 3-1/2 po de long (non fournies) à travers les trous de montage 35. Assurez-vous que les vis traversent le cadre de la scie et qu'elles sont solidement fixées à la surface de travail.

Fig. 37

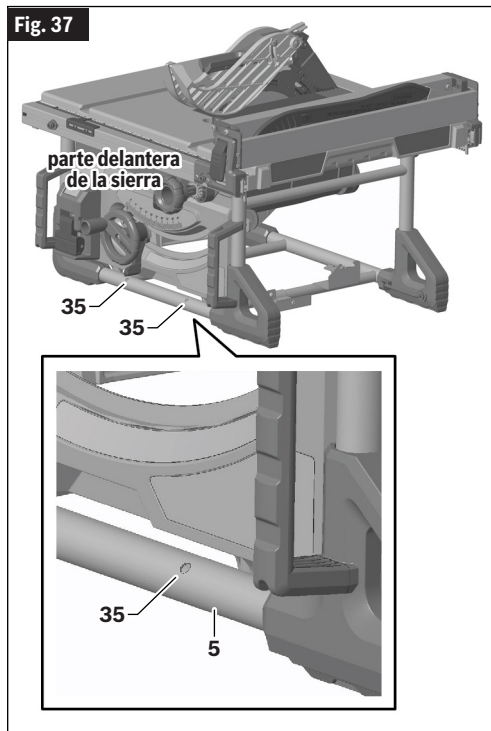
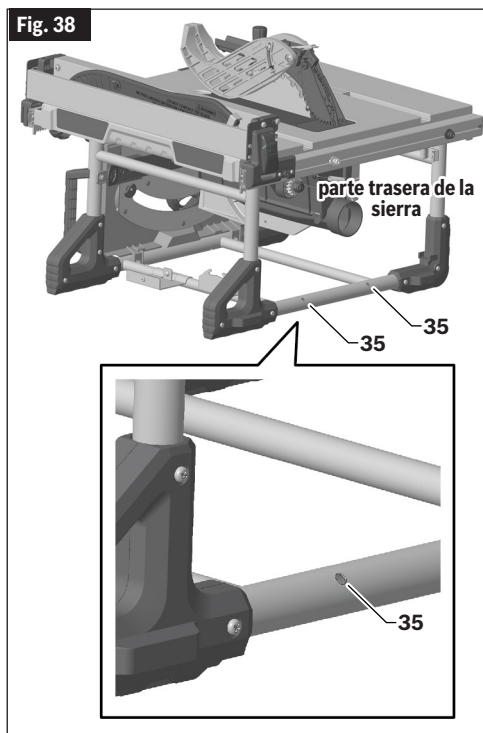


Fig. 38



Ajustes

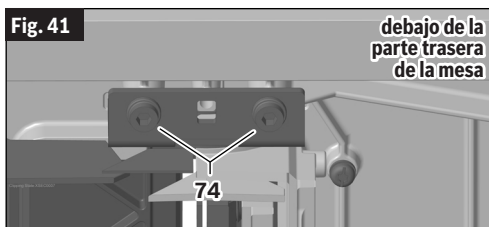
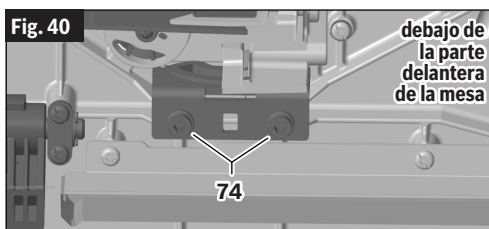
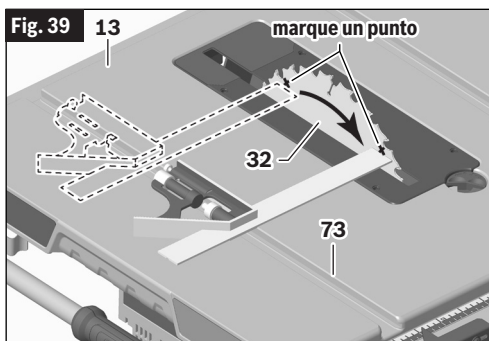
⚠ ADVERTENCIA Para prevenir lesiones corporales, desconecte siempre el paquete de batería antes de realizar cualquier ensamblaje, ajuste o reparación.

Ajuste de la hoja paralela a las ranuras del calibre de ingletes

(Fig. 1, Fig. 39, Fig. 40, Fig. 41)

La hoja **32** se ajustó paralela a las ranuras del calibre de ingletes **73** en la fábrica. Para asegurarse de realizar cortes precisos y ayudar a prevenir el retroceso, este ajuste se deberá comprobar de nuevo. Si es necesario realizar algún ajuste, siga los pasos que se indican a continuación.

1. Gire la rueda de elevación **2** y suba la hoja **32** tanto como sea posible.
2. Seleccione un punto del cuerpo de la hoja de sierra **32** que esté en el lado izquierdo de la hoja **32** al ver la hoja **32** desde la parte delantera de la sierra y marque este punto con un lápiz.
3. Coloque la base de una escuadra de combinación contra el borde de una ranura del calibre de ingletes **73** y extienda la regla deslizante de la escuadra de manera que apenas toque el punto marcado en el cuerpo de la hoja de sierra **32** en la parte trasera de la mesa **13**, evitando los dientes de la hoja.
4. Rote la hoja **32** y compruebe el mismo punto marcado de la hoja de sierra **32** en la parte delantera de la mesa **13**.
5. Si las mediciones delantera y trasera no son idénticas, utilice la llave hexagonal **33** suministrada con la sierra para aflojar los cuatro pernos de alineación de la hoja **74** ubicados en la parte inferior de la mesa **13** en la parte delantera y la parte trasera de la sierra.
6. Mueva cuidadosamente la hoja de sierra **32** hasta que esté paralela a la ranura del calibre de ingletes **73** y apriete firmemente los cuatro pernos de alineación de la hoja **74**.
7. Verifique que la hoja **32** esté paralela a la ranura del calibre de ingletes **73** repitiendo los pasos 3 y 4. Si la hoja **32** no está alineada, repita los pasos 5 y 6.



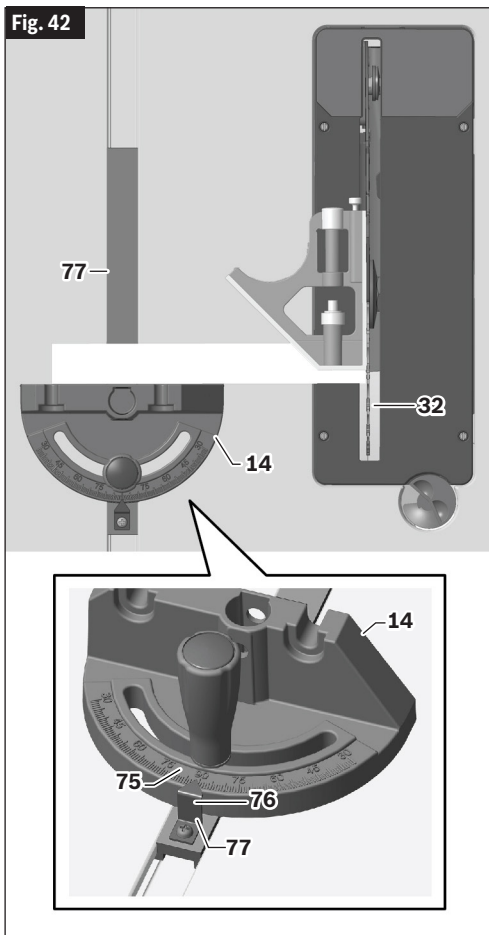
Ajustes

Ajuste del calibre de ingletes

(Fig. 42)

Para comprobar la precisión del calibre de ingletes **14**, muévelo en línea con la hoja **32** y utilice una escuadra de combinación para asegurarse de que el cuerpo del calibre de ingletes **14** esté a 90° respecto a la hoja **32**. Si el indicador del calibre de ingletes **75** no está señalando 90° , afloje el tornillo **76** ubicado en la parte superior de la barra del calibre de ingletes **77** y rote el indicador **75** hasta la marca 90° . Apriete el tornillo **76**.

Para ajustar el calibre de ingletes **14**, afloje el tornillo del indicador del calibre de ingletes **76** y gire el indicador del calibre de ingletes **75**.



Ajustes del tope-guía para cortar al hilo

⚠ ADVERTENCIA El tope-guía para cortar al hilo debe estar paralelo a la HOJA para prevenir el RETROCESO al cortar al hilo.

⚠ ADVERTENCIA Para prevenir lesiones corporales, asegúrese siempre de que el tope-guía para cortar al hilo y los rieles estén fijos antes de hacer cortes al hilo.

⚠ ADVERTENCIA Alinee el tope-guía para que esté paralelo a la hoja de sierra. Un tope-guía desalineado pellizcará la pieza de trabajo contra la hoja de sierra y creará un retroceso.

El sistema del tope-guía para cortar al hilo tiene pasadores de guía del tope-guía para cortar al hilo en el riel delantero y trasero. Las capacidades de anchura de corte permitidas por estos pasadores de guía se muestran en "Capacidades de corte" en la página 136.

Las alineaciones de los pasadores de guía plateados y negros ubicados en el lado derecho de la hoja están relacionadas. Antes de ajustar los pasadores de guía negros derechos del tope-guía para cortar al hilo, se debe verificar la alineación de los pasadores de guía plateados derechos del tope-guía para cortar al hilo y, si es necesario, se debe ajustar dicha alineación. Los pasadores de guía negros izquierdos del tope-guía para cortar al hilo se pueden ajustar independientemente de los pasadores de guía plateados del tope-guía para cortar al hilo.

Alineación del tope-guía para cortar al hilo: pasadores de guía plateados

(Fig. 43, Fig. 44)

NOTA: Antes de proceder con la alineación del tope-guía para cortar al hilo **9**, la hoja **32** debe estar paralela a las ranuras del calibre de ingletes **73** y estar perpendicular a la mesa **13**. Consulte "Ajuste de la hoja paralela a las ranuras del calibre de ingletes" en la página 159 y "Ajuste del tope positivo a 0° " en la página 165.

1. Ensamble el tope-guía para cortar al hilo **9** sobre los pasadores de guía plateados **58**. (Consulte "Instalación del tope-guía para cortar al hilo" en la página 148). No fije las palancas de fijación del tope-guía para cortar al hilo **56**.
2. Retire el ensamblaje del protector con barreras **25** del sistema de protector inteligente Smart Guard **11** y el dispositivo antirretroceso **26**.
3. Desbloquee la palanca de fijación de los rieles **8**.
4. Mueva el tope-guía para cortar al hilo **9** hacia la hoja **32** y verifique que el tope-guía para cortar al hilo **9** esté tocando los dientes de la hoja en la parte delantera y la

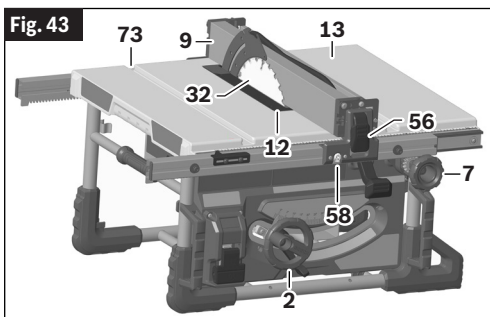
Ajustes

parte trasera de la hoja **32**. Si no es así, continúe con los siguientes pasos.

5. Asegúrese de que las palancas de fijación del tope-guía para cortar al hilo **56** ubicadas en la parte trasera y en la parte delantera del tope-guía para cortar al hilo **9** sigan estando en la posición desbloqueada.
6. Con la llave hexagonal **33** suministrada, afloje los pasadores de guía plateados del tope-guía para cortar al hilo **58** aproximadamente de 1/2 a 1 vuelta para que los pasadores se puedan deslizar libremente.
7. Utilizando el tope-guía para cortar al hilo **9**, mueva los pasadores de guía plateados delantero y trasero **58** hacia la derecha aproximadamente 1/8 de pulgada.
8. Utilizando la perilla de ajuste de los rieles **7**, mueva los rieles **10** de manera que el indicador de posición se alinee

con el "0" en la escala plateada superior del tope-guía para cortar al hilo **78** y fije los rieles **10** en la posición correcta utilizando la palanca de fijación de los rieles **6**.

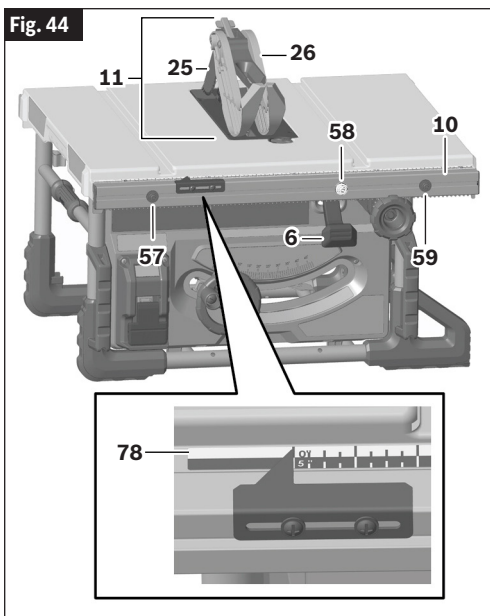
9. Deslice el tope-guía para cortar al hilo **9** hacia la hoja **32** hasta que toque los dientes de la hoja en la parte delantera y la parte trasera de la hoja **32**.
10. Apriete a mano los pasadores de guía plateados delantero y trasero **58** utilizando la llave hexagonal **33**. Rote 1/8 de vuelta adicional para fijar los pasadores. Verifique que el tope-guía para cortar al hilo **9** aún esté en contacto con los dientes delanteros y traseros de la hoja **32**.
11. Trabe las palancas de fijación del tope-guía para cortar al hilo **56** sobre los rieles **10** y verifique que el tope-guía para cortar al hilo **9** aún esté en contacto con los dientes delanteros y traseros de la hoja **32**.
12. Vaya a "Alineación del tope-guía para cortar al hilo: pasadores de guía negros derechos".



Alineación del tope-guía para cortar al hilo: pasadores de guía negros derechos

(Fig. 43, Fig. 44, Fig. 45)

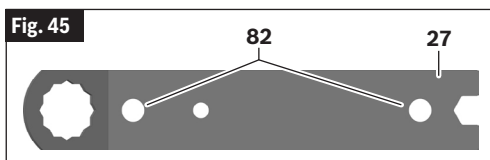
NOTA: Antes de proceder con la alineación de los pasadores de guía negros derechos del tope-guía para cortar al hilo **59**, se debe verificar la alineación de los pasadores de guía plateados **58** y, si es necesario, se debe ajustar dicha alineación. (Consulte "Alineación del tope-guía para cortar al hilo: pasadores de guía plateados" en la página 160).



13. Verifique que el tope-guía para cortar al hilo **9** y los pasadores de guía plateados del tope-guía para cortar al hilo **58** estén alineados correctamente de acuerdo con "Alineación del tope-guía para cortar al hilo: pasadores de guía plateados" en la página 160.

14. Desbloquee las palancas de fijación del tope-guía para cortar al hilo **56** ubicadas en la parte delantera y la parte trasera del tope-guía para cortar al hilo **9** y retire el tope-guía para cortar al hilo **9** de los rieles **10**. Fije la palanca de fijación de los rieles.

15. Con la llave hexagonal **33** suministrada, afloje los pasadores de guía negros derechos del tope-guía para cortar al hilo **57** sobre los rieles delantero y trasero **10** aproximadamente de 1/2 a 1 vuelta de manera que los pasadores se puedan deslizar libremente.



Ajustes

- Utilizando los agujeros de alineación del tope-guía **82** ubicados en la llave de tuerca para la hoja **27**, coloque la llave de tuerca para la hoja **27** sobre el pasador de guía plateado del tope-guía para cortar al hilo **57** ubicado en el riel delantero **10**.
- En caso de desalineación, mueva el pasador de guía negro derecho del tope-guía para cortar al hilo **57** hasta que el agujero de la llave de tuerca para la hoja **27** encaje sobre la cabeza del pasador.
- Apriete a mano el pasador **57** utilizando la llave hexagonal **27**. Rote 1/8 de vuelta adicional para fijar el pasador **57**.
- Repita los pasos 16-18 para el pasador de guía trasero del tope-guía para cortar al hilo **57**.

Alineación del tope-guía para cortar al hilo: pasadores de guía negros izquierdos

(Fig. 1, Fig. 43, Fig. 44)

NOTA: Antes de proceder con la alineación del tope-guía para cortar al hilo **9**, la hoja **32** debe estar paralela a las ranuras del calibre de ingletes **73** y estar perpendicular a la mesa **13**. Consulte "Ajuste de la hoja paralela a las ranuras del calibre de ingletes" en la página 159 y "Ajuste del tope positivo a 0°" en la página 165.

- Retire el ensamblaje del protector con barreras **25** del sistema de protector inteligente Smart Guard **11** y el dispositivo antirretroceso **26**.
 - Ensamble el tope-guía para cortar al hilo **9** en los pasadores de guía negros izquierdos **57**. (Consulte "Instalación del tope-guía para cortar al hilo" en la página 148). Asegúrese de orientar el tope-guía para cortar al hilo **9** de manera que el tope-guía volteable **14** esté orientado alejándose de la hoja **32**.
 - Mueva el tope-guía para cortar al hilo hacia la hoja y verifique que el tope-guía para cortar al hilo **9** esté tocando los dientes de la hoja en la parte delantera y la parte trasera de la hoja **32**. Si no es así, continúe con los siguientes pasos.
 - Con la llave hexagonal **33**, suministrada, afloje los pasadores de guía negros izquierdos del tope-guía para cortar al hilo **57** ubicados en los rieles delantero y trasero **10** aproximadamente de 1/2 a 1 vuelta para que los pasadores se puedan deslizar libremente.
 - Deslice el tope-guía para cortar al hilo **9** hacia la hoja **32** hasta que el tope-guía para cortar al hilo **9** toque los dientes de la hoja en la parte delantera y la parte trasera de la hoja **32**.
 - Apriete a mano los pasadores de guía negros izquierdos delantero y trasero del tope-guía para cortar al hilo **57**.
- Rote 1/8 de vuelta adicional para fijar los pasadores. Verifique que el tope-guía para cortar al hilo **9** aún esté en contacto con los dientes delanteros y traseros de la hoja **32**.
- Trabe las palancas de fijación del tope-guía para cortar al hilo **56** sobre los rieles **10** y verifique que el tope-guía para cortar al hilo **9** aún esté en contacto con los dientes ubicados en la parte delantera y la parte trasera de la hoja **32**.
 - Reinstale el ensamblaje del protector con barreras **25** del sistema de protector inteligente Smart Guard **11** y el dispositivo antirretroceso **26**.

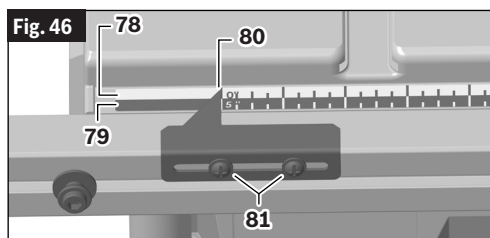
Ajuste del indicador del tope-guía para cortar al hilo

(Fig. 43, Fig. 44, Fig. 46)

Cuando corte al hilo en el lado derecho de la hoja **32**, la distancia entre el cuerpo del tope-guía para cortar al hilo **9** y la hoja **32** se determina alineando el indicador del tope-guía para cortar al hilo **80** con la dimensión deseada en la escala del tope-guía para cortar al hilo **22**.

Para ajustar el indicador del tope-guía para cortar al hilo **80**:

- Retire el ensamblaje del protector con barreras **25** y el dispositivo antirretroceso **26** antes de ajustar el indicador del tope-guía para cortar al hilo **80**.
- Ensamble el tope-guía para cortar al hilo **9** en los pasadores de guía plateados del tope-guía para cortar al hilo **57**. Consulte "Instalación del tope-guía para cortar al hilo" en la página 148.
- Desbloquee el riel **10** utilizando la palanca de fijación de los rieles **6**.
- Mueva el tope-guía para cortar al hilo **9** hacia la hoja **32** y verifique que el tope-guía para cortar al hilo **9** esté tocando los dientes de la hoja en la parte delantera y la parte trasera de la hoja **32**.
- Afloje los tornillos de ajuste del indicador **81**.
- Ajuste el indicador a la marca de "0" ubicada en la escala plateada superior del tope-guía para cortar al hilo **78** y luego reapriete los tornillos de ajuste del indicador **81**.



Alineación de la cuchilla separadora

(Fig. 47)

IMPORTANTE: La cuchilla separadora **24** debe estar siempre en línea con la hoja **32**. La cuchilla separadora **24** es más delgada que la anchura de la sección de corte.

NOTA: La sección de corte es la anchura del corte realizado por los dientes de la hoja de sierra **32**.

Comprobación de la alineación de la cuchilla separadora

(Fig. 1, Fig. 47)

NOTA: La cuchilla separadora **24** ha sido alineada adecuadamente en la fábrica. Compruebe la alineación antes de hacer cualquier ajuste.

1. Gire la rueda de elevación **2** en el sentido de las agujas del reloj para subir la hoja **32** hasta la altura máxima y ajuste el ángulo de bisel a 0°.
2. Retire el ensamblaje del protector con barreras **25** y el dispositivo antirretroceso **26**.
3. Ensamble el tope-guía para cortar al hilo **9** en los pernos de guía plateados del tope-guía para cortar al hilo **58**. (Consulte "Instalación del tope-guía para cortar al hilo" en la página 148). Deslícelo hasta que toque las puntas de la hoja de sierra **32**.
4. Compruebe la alineación:
 - Desde la parte de arriba, mire hacia abajo sobre el tope-guía para cortar al hilo **9** y compruebe que la cuchilla separadora **24** esté en línea (de delante a atrás) con la hoja **32** y paralela al tope-guía para cortar al hilo **9**.
 - Deslice el tope-guía para cortar al hilo **9** alejándolo de la hoja **32**, mire sobre la parte delantera de la hoja

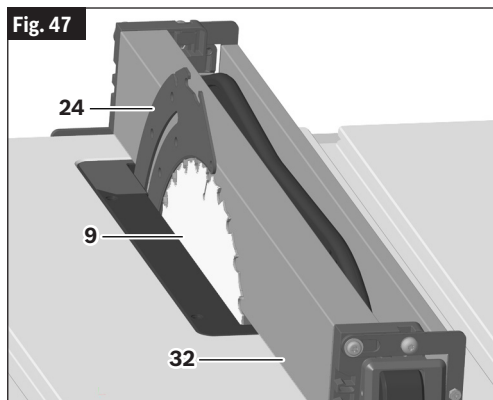


Fig. 47

32 y compruebe que la cuchilla separadora **24** esté en línea con la hoja **32**.

- Si cualquiera de estas dos inspecciones revela una desalineación, vaya a "Ajuste de la cuchilla separadora" que se encuentra a continuación.

Ajuste de la cuchilla separadora

(Fig. 43, Fig. 44, Fig. 48, Fig. 49, Fig. 50)

1. Retire el ensamblaje del protector con barreras **25** y el dispositivo antirretroceso **26**.
2. Retire el inserto de la mesa **12**. Consulte "Desinstalación del inserto de la mesa" en la página 144.
3. Gire la rueda de elevación **2** en el sentido de las agujas del reloj para subir la hoja **32** hasta su altura máxima y ajuste el ángulo de bisel a 0°.
4. Ajuste la cuchilla separadora **24** de manera que esté en su posición más elevada. Consulte "Posicionamiento de la cuchilla separadora" en la página 145.
5. Localice los tres tornillos de ajuste de la cuchilla separadora **83** adyacentes a la palanca de liberación de la cuchilla separadora **41**.
6. Coloque un borde recto sobre el lado izquierdo de la hoja **32** contra dos dientes de la hoja (de la manera que se muestra en la Fig. 49). La cuchilla separadora **24** no debería tocar el borde recto.
7. Utilice la llave hexagonal **33** suministrada para ajustar la cuchilla separadora **24** girando los tornillos de ajuste **83**. Una cuchilla separadora ajustada correctamente **24** estará en contacto con el borde recto a lo largo de toda su anchura.

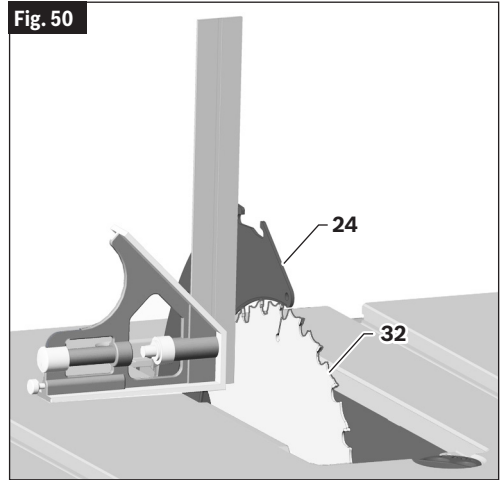
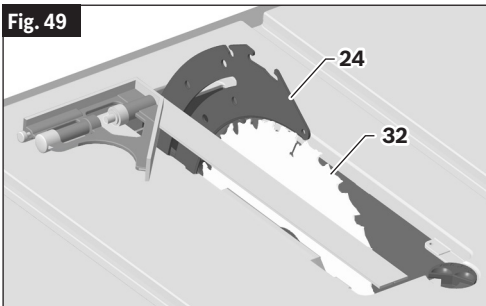
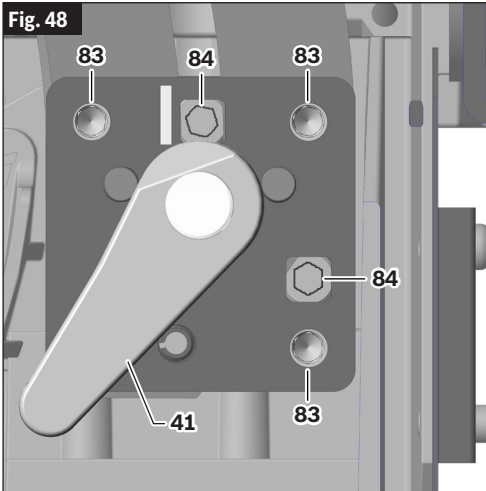
NOTA: Si es necesario aflojar los tornillos de ajuste **83** (girando la llave hexagonal **33** en sentido contrario al de las agujas del reloj), entonces afloje también los tornillos de fijación de la cuchilla separadora **84**. Si se aflojan los tornillos de ajuste **83** sin aflojar primero el tornillo de fijación **84**, se podría causar deformación de la cuchilla separadora **24**.

8. Acueste el borde recto sobre el lado derecho de la hoja **32** y repita los ajustes según sea necesario.
9. Coloque una escuadra en posición plana contra el lado izquierdo de la cuchilla separadora **24** para verificar que la cuchilla separadora **24** está vertical y en línea con la hoja **32** (de la manera que se muestra en la Fig. 50).
10. Si es necesario, utilice los tornillos de ajuste **83** para llevar la cuchilla separadora **24** hasta la posición vertical con la escuadra.
11. Repita el paso **6** para verificar la posición de la cuchilla separadora **24**. Si es necesario, repita los pasos **7** a **10**.

Ajustes

12. Después de completar los ajustes, apriete completamente los tornillos de fijación de la cuchilla separadora **84**.

NOTA: Compruebe que la cuchilla separadora **24** permanezca en línea con la hoja **32** cuando la hoja **32** esté inclinada en cualquier ángulo. Antes de hacer cortes, reinstale el ensamblaje del protector con barreras **25** y el dispositivo antirretroceso **26**.



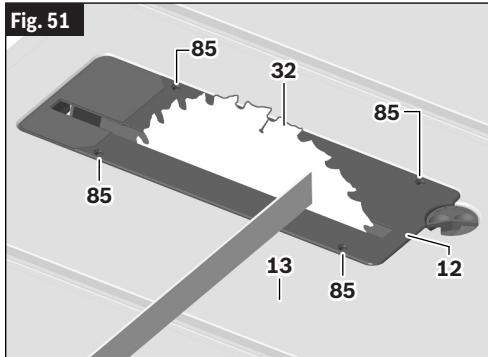
Ajustes

Ajuste del inserto de la mesa

(Fig. 51)

El inserto de la mesa **12** incluye cuatro tornillos de ajuste **85** para ajustar la altura del inserto.

1. Coloque el inserto de la mesa **12** en el receptáculo ubicado en la parte superior de la mesa **13** y fíjelo en la posición correcta. Consulte "Instalación del inserto de la mesa" en la página 143.
2. Coloque un borde recto, como por ejemplo la regla metálica de una escuadra de combinación, transversalmente al tablero de la mesa **13** y el inserto de la mesa **12**.
3. Si la superficie del inserto de la mesa **12** no está al mismo nivel que el tablero de la mesa **13**, utilice un destornillador de cabeza plana pequeño para girar cada tornillo de ajuste del inserto de la mesa **85** hasta que el inserto de la mesa **12** esté al mismo nivel que la mesa **13**.



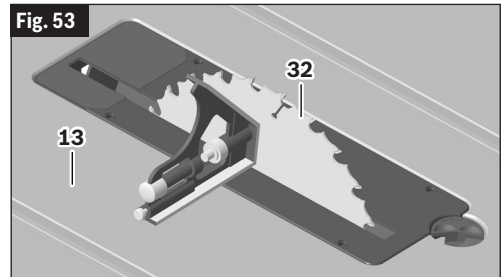
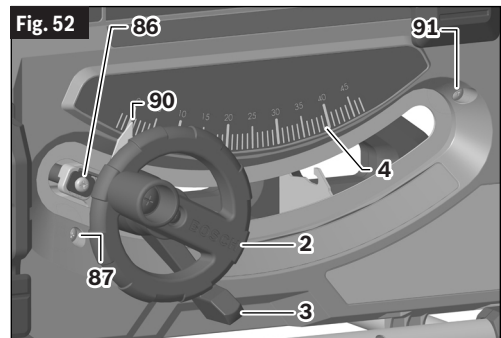
Ajuste de los topes positivos a 0° y 45°

Esta sierra está equipada con topes positivos para posicionar de manera rápida y precisa la hoja de sierra **32** a 90° y 45° respecto a la mesa **13**.

Ajuste del tope positivo a 0°

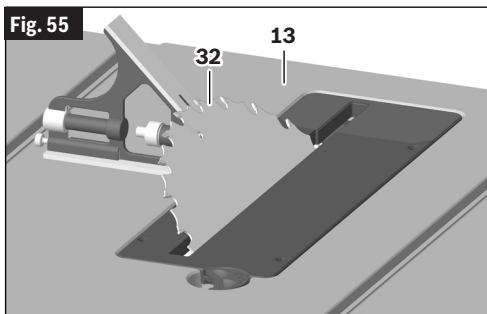
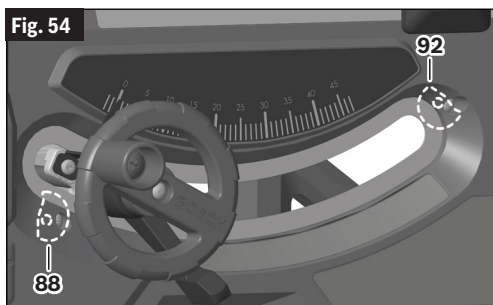
(Fig. 52, Fig. 53, Fig. 54)

1. Gire la rueda de elevación **2** en el sentido de las agujas del reloj y suba la hoja **32** hasta la altura máxima.
2. Afloje el mango de fijación del bisel de la hoja **3** girándolo en sentido contrario al de las agujas del reloj.
3. Empuje la rueda de elevación **2** hacia la izquierda tanto como sea posible. Luego, apriete el mango de fijación del bisel de la hoja **3** girándolo en el sentido de las agujas del reloj.
4. Coloque una escuadra de combinación sobre la mesa **13** con un extremo de la escuadra contra la hoja **32**, y compruebe la hoja para determinar si está a 90° respecto a la mesa **13**.
5. Si la hoja **32** no está a 90° respecto a la mesa **13**:
 - Afloje el mango de fijación del bisel de la hoja **3** girándolo en sentido contrario al de las agujas del reloj.
 - Afloje el tornillo de ajuste a 90° **87**.



Ajustes

- Asegúrese de que la leva del tope de bisel a 90° **88** esté floja. La leva del tope de bisel **88** está ubicada detrás de la placa delantera.
 - Empuje la rueda de elevación **2** hasta que la hoja **32** esté a 90° respecto a la mesa **13**.
6. Apriete el mango de fijación del bisel de la hoja **3** girándolo en el sentido de las agujas del reloj.
 7. Rote la leva del tope de bisel a 90° **88** hasta que toque la carcasa del tope de bisel y luego apriete el tornillo de ajuste a 90° **87**, asegurándose de que la leva del tope de bisel a 90° **88** permanezca en la posición correcta.
 8. Afloje el tornillo de ajuste del indicador de bisel **86** y ajuste el indicador de bisel **90** para que señale 0° en la escala de bisel de la hoja **4**.



Ajuste del tope positivo a 45°

(Fig. 52, Fig. 54, Fig. 55)

1. Gire la rueda de elevación **2** en el sentido de las agujas del reloj y suba la hoja **32** hasta su altura máxima.
2. Afloje el mango de fijación del bisel de la hoja **3** girándolo en sentido contrario al de las agujas del reloj.
3. Empuje la rueda de elevación **2** hacia la derecha tanto como sea posible. Luego, apriete el mango de fijación del bisel de la hoja **3** girándolo en el sentido de las agujas del reloj.
4. Coloque una escuadra de combinación sobre la mesa **13** con un extremo de la escuadra contra la hoja **32** y compruebe la hoja **13** para determinar si está a 45° respecto a la mesa.
5. Si la hoja **32** no está a 45° respecto a la mesa **13**:
 - Afloje el mango de fijación del bisel de la hoja **3** girándolo en sentido contrario al de las agujas del reloj.
 - Afloje el tornillo de ajuste a 45° **91**.
 - Asegúrese de que la leva del tope de bisel a 45° **92** esté floja.

Operaciones básicas de la sierra de mesa

⚠ ADVERTENCIA Para prevenir lesiones corporales, desconecte siempre el paquete de batería antes de realizar cualquier ensamblaje, ajuste o reparación.

Interruptor de alimentación

(Fig. 56 , Fig. 57)

Para encender la sierra, pellizque las paredes laterales del interruptor de alimentación **1** **A** y levante el interruptor de alimentación **1** jalándolo hacia arriba **B**.

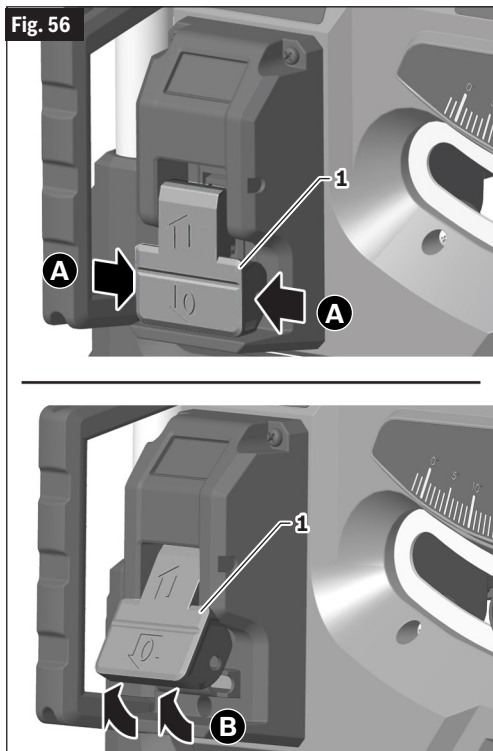
Para apagar la sierra, empuje hacia abajo la palanca el interruptor de alimentación **1** hasta su posición original.

Para prevenir el uso no autorizado, el interruptor de alimentación **1** puede acomodar un candado con una barra de 1/4 de pulgada (6,3 mm) de diámetro (el candado no se suministra con la sierra de mesa).

El indicador de combustible se iluminará cuando haya un paquete de batería insertado y se encienda la sierra.

El indicador de combustible permanecerá iluminado durante 3 segundos después de haber apagado la sierra.

Fig. 56



Indicador de combustible

(Fig. 57, Fig. 58)

El indicador de combustible **17** es una pantalla LED que indica el nivel aproximado de carga que queda en el paquete de batería **29**.

El indicador de combustible se iluminará cuando haya un paquete de batería insertado y se encienda la sierra.

El indicador de combustible permanecerá iluminado durante 3 segundos después de haber apagado la sierra.

Fig. 57

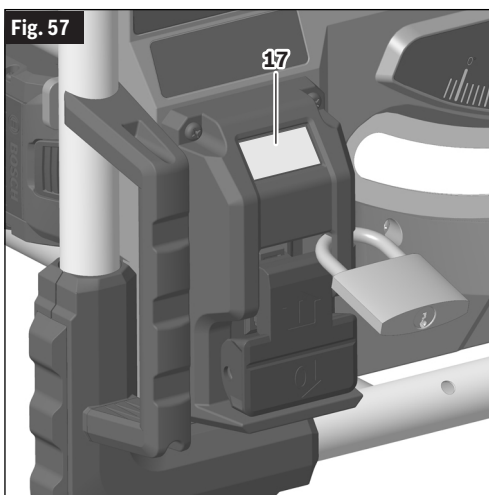


Fig. 58

		60 a 100 % cargado
		30 a 60 % cargado
		5 a 30 % cargado
		0 a 5 % cargado
		* parpadea

Operaciones básicas de la sierra de mesa

Utilización del sistema de protector inteligente Smart Guard

(Fig. 59)

El sistema de protector inteligente Smart Guard de Bosch **11** ha sido diseñado para ofrecer modularidad, lo cual permite el uso de múltiples combinaciones de los tres componentes principales: la cuchilla separadora **24**, el ensamblaje del protector con barreras **25** y el dispositivo antirretroceso **26**.

La cuchilla separadora **24** se puede ajustar rápidamente en cualquiera de las tres posiciones para diferentes aplicaciones: corte pasante (posición alta), corte no pasante (posición central) y corte de mortajas (posición más baja).

Los tres componentes primarios del sistema inteligente de protección de la hoja Smart Guard están diseñados para su instalación, ajuste y desinstalación sin herramientas adicionales.

Si desinstala cualquier componente del sistema de protector inteligente Smart Guard **11** para completar un corte, reinstale inmediatamente el componente cuando haya acabado. (Consulte "Instalación del ensamblaje del protector de barrera" en la página 146 para obtener instrucciones detalladas de instalación).

Recuerde siempre que la mejor prevención de accidentes es el uso del sentido común por parte del operador y que este permanezca alerta en todo momento cuando esté utilizando la sierra de mesa.

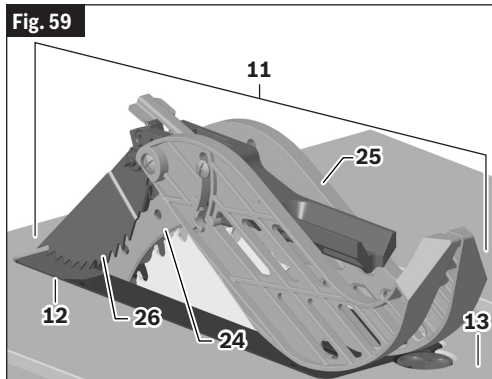
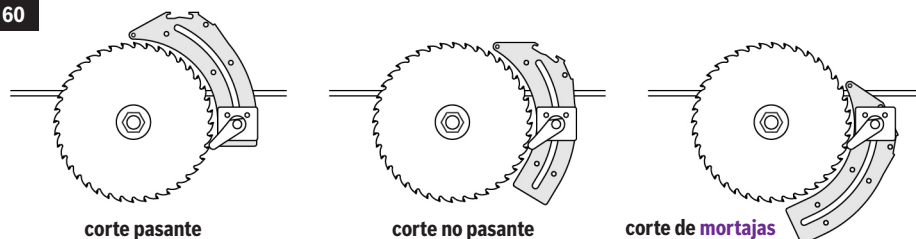


Fig. 60



Cuchilla separadora (separador)

(Fig. 1, Fig. 10, Fig. 59, Fig. 60)

La cuchilla separadora es el elemento central del sistema de protección inteligente de la hoja Smart Guard de Bosch **11**, el cual sirve de punto de sujeción tanto para el ensamblaje del protector con barreras **25** como para el dispositivo antirretroceso **26**.

Si el ensamblaje del protector con barreras **25** y el dispositivo antirretroceso **26** se retiran, la cuchilla separadora **24** mantiene su funcionalidad como separador de material. Se puede ajustar rápidamente en cualquiera de las tres posiciones, dependiendo del requisito de la aplicación: corte pasante, corte no pasante y corte de mortajas. Debido a esta ajustabilidad, la cuchilla separadora **24** se puede posicionar apropiadamente para todas las aplicaciones de corte. (Consulte "Ajuste de la cuchilla separadora" en la página 163).

La cuchilla separadora (separador) **24** se puede ajustar fácilmente en una de las tres alturas retirando el inserto de la mesa **12**, subiendo la hoja **32** hasta su altura máxima y liberando la palanca de liberación de la cuchilla separadora **41** en la base de la cuchilla separadora **24**. La cuchilla separadora **24** se deberá fijar en su posición de corte pasante (la posición más alta) para utilizarse con el ensamblaje del protector con barreras principal **25** y el dispositivo antirretroceso **26**. Se puede ajustar a su posición de corte no pasante (la posición central) para utilizarse como separador de material sin el ensamblaje del protector con barreras principal **25** y el dispositivo antirretroceso **26**. En el caso de que la cuchilla separadora **24** no se pueda utilizar para un corte específico o para utilizarse con una hoja de mortajar, se puede ajustar a su posición de mortajar (la posición más baja), colocándola a 1 pulgada (25,4 mm) por encima de la superficie de la mesa **13** cuando la hoja **32** esté a su altura máxima.

Operaciones básicas de la sierra de mesa

Ensamblaje del protector con barreras

(Fig. 59)

El ensamblaje del protector con barreras **25** comprende un par de barreras de plástico sujetas al protector superior con barreras de plástico. Las barreras laterales (una a la izquierda de la hoja **32** y otra a la derecha) funcionan independientemente una de otra, manteniendo la máxima cobertura de la hoja durante las operaciones de corte. El ensamblaje del protector con barreras **25** incorpora un punto de sujeción de conexión rápida y se puede instalar o desinstalar del sistema de protector inteligente Smart Guard **11** independientemente del dispositivo antirretroceso **26** y la cuchilla separadora **24**.

El ensamblaje del protector con barreras **25** se puede instalar y desinstalar rápidamente a través del uso de la palanca de liberación del ensamblaje del protector con barreras de liberación rápida **36**. El protector se instala asentando la barra transversal en la parte superior de la cuchilla separadora (separador) **24** y acoplando la palanca de liberación **36**. Al seguir este proceso a la inversa, el ensamblaje del protector con barreras **25** se puede desinstalar fácilmente para operaciones especiales, tales como cortes de mortajas o rebajos.

NOTA: Para fijar óptimamente el ensamblaje del protector con barreras **25** con fines de reubicación, ajuste la hoja **32** en su posición más baja. Esto mantiene el protector **25** ajustado a la superficie de la mesa **13** y previene los daños relacionados con la oscilación del protector **25** durante la reubicación. Si se va a transportar la unidad una distancia más larga en el lugar de trabajo o fuera del mismo, coloque el protector **25** en su posición de almacenamiento debajo de la mesa. (Consulte "Almacenamiento del ensamblaje del protector de barrera" en la página 153).

Dispositivo antirretroceso

(Fig. 59)

En el caso de un retroceso, el dispositivo antirretroceso **26** está diseñado para ayudar a evitar que la pieza de trabajo sea lanzada al aire en dirección al usuario. Los dientes afilados de los trinquetes del dispositivo antirretroceso **50** están diseñados para "atrapar" el material en el caso de un retroceso.

El dispositivo antirretroceso **26** se puede instalar fácilmente alineando el pasador de sujeción con el agujero ubicado en la parte trasera de la cuchilla separadora (separador) **24**. Se puede retirar fácilmente presionando la espiga de compresión **49** en el lado del dispositivo antirretroceso **26** y levantándolo para retirarlo.

Elaboración de los ayudantes de trabajo

Antes de cortar cualquier madera en la sierra, estudie toda la información contenida en "Operaciones básicas de la sierra de mesa".

Tenga presente que para hacer algunos de los cortes es necesario utilizar ciertos dispositivos, "ayudantes de trabajo", como el palo de empuje **93**, el bloque de empuje **94** y el tope-guía auxiliar **95**, los cuales puede hacer usted mismo.

Después de que haya hecho unos cuantos cortes de práctica, pero antes de comenzar cualquier proyecto, haga estos ayudantes de trabajo. Haga primero el "palo de empuje".

Elaboración del palo de empuje y el bloque de empuje

(Fig. 61, Fig. 62)

Haga el palo de empuje **93** utilizando un pedazo de 1 x 2 pulgadas (19 x 38 mm) de la manera que se muestra en la Fig. **61**. Para obtener información sobre el uso adecuado de un palo de empuje **93**, consulte "Utilización del palo de empuje" en la página 173.

Haga el bloque de empuje **94** utilizando pedazos de madera contrachapada de 3/8 de pulgada (8,7 mm) **A** y madera dura de 3/4 de pulgada (19 mm) **B**. El bloque de empuje **94** es solo para utilizarse en combinación con el tope-guía auxiliar. Para obtener información sobre el uso correcto del bloque de empuje **94**, consulte "Utilización del bloque de empuje con el tope-guía auxiliar" en la página 174.

El pedazo pequeño de madera, de 3/8 x 3/8 x 2-1/2 pulgadas (9,5 x 9,5 x 63,5 mm), se deberá ENCOLAR a la madera contrachapada... NO UTILICE CLAVOS. Esto es para evitar desafilar la hoja **32** en el caso de que usted corte por error en el bloque de empuje **94**.

Posicione el mango en el centro de la madera contrachapada y sujete el mango a la madera usando cola y tornillos para madera.

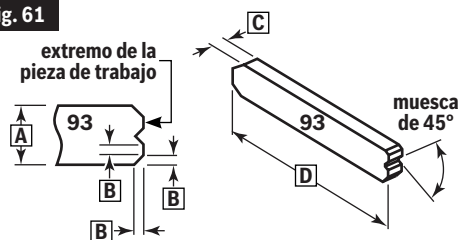
Use el palo de empuje **8** siempre que el tope-guía para cortar al hilo **9** esté a 2 pulgadas (50 mm) o más de la hoja **32**. Utilice un bloque de empuje **94** cuando la operación sea demasiado estrecha como para permitir el uso del palo de empuje **8**. Para obtener información sobre el uso correcto, consulte "Utilización del palo de empuje, el bloque de empuje y el tope-guía auxiliar" en la página 173.

El palo de empuje **8** o el bloque de empuje **94** se deberán usar solo entre el tope-guía para cortar al hilo **9** y la hoja **32**.

Cuando utilice el palo de empuje **8** o un bloque de empuje **94**, el extremo de salida debe estar en ángulo recto. El palo de empuje **8** o un bloque de empuje **94** contra un extremo desigual podría resbalar o empujar la pieza de trabajo alejándola del tope-guía para cortar al hilo **9**.

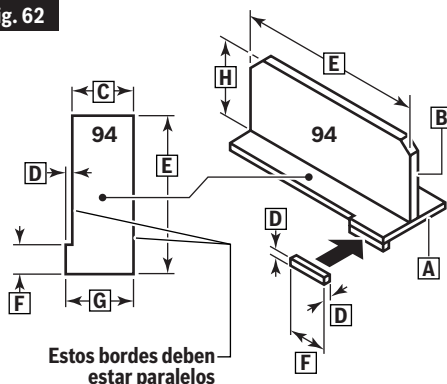
Operaciones básicas de la sierra de mesa

Fig. 61



- A** 1-1/2 pulg. (38 mm) **C** 3/4 pulg. (19 mm)
B 1/4 pulg. (6,4 mm) **D** 15 pulg. (381 mm)

Fig. 62



Estos bordes deben estar paralelos

- A** Madera contrachapada de 3/8 de pulgada (8,7 mm)
B Madera dura de 3/4 de pulgada (19 mm)
C 4-3/4 pulg. (120,6 mm) **F** 2-1/2 pulg. (63,5 mm)
D 3/8 pulg. (9,5 mm) **G** 5-1/8 pulg. (130 mm)
E 12" (305 mm) **H** 5 pulg. (127 mm)

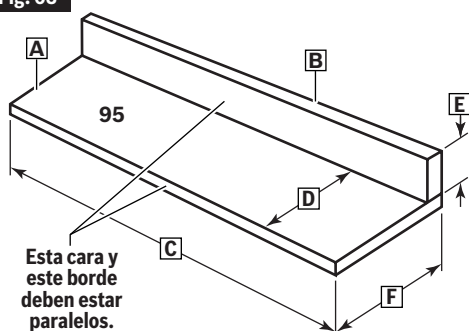
Elaboración de un tope-guía auxiliar

(Fig. 62, Fig. 63)

Haga el tope-guía auxiliar **95** utilizando pedazos de madera contrachapada de 3/8 de pulgada (8,7 mm), **A**, y madera dura de 3/4 de pulgada (19 mm), **B**. Fije juntos los pedazos con cola y tornillos para madera.

NOTA: Como se utiliza un bloque de empuje **94** con el tope-guía auxiliar **95**, las dimensiones de 4-3/4 pulgadas (120,6 mm) deben ser idénticas en ambos pedazos.

Fig. 63



Esta cara y este borde deben estar paralelos.

- A** Madera contrachapada de 3/8 de pulgada (8,7 mm)
B Madera dura de 3/4 de pulgada (19 mm)
C 21-1/2 pulg. (546 mm) **E** 2-1/4 pulg. (57,2 mm)
D 4-3/4 pulg. (120,6 mm) **F** 5-1/2 pulg. (139,7 mm)

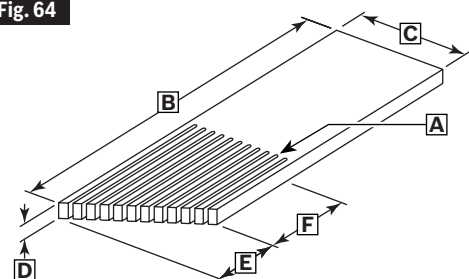
Elaboración de una tabla con canto biselado

(Fig. 64)

Una tabla con canto biselado se deberá hacer a partir de un pedazo recto de madera que esté libre de nudos o grietas. La Fig. 64 muestra las dimensiones típicas de una tabla con canto biselado.

La sección de corte, **A**, deberá tener una separación de aproximadamente 1/4 de pulgada (6,35 mm).

Fig. 64



- A** sección de corte de aproximadamente 1/4 de pulgada (6,35 mm)
B 25 pulg. (635 mm) **E** 4-1/2 pulg. (114 mm)
C 8 pulg. (203 mm) **F** 5 pulg. (127 mm)
D 3/4 pulg. (19 mm)

Operaciones básicas de la sierra de mesa

Elaboración del bloque de refrentado

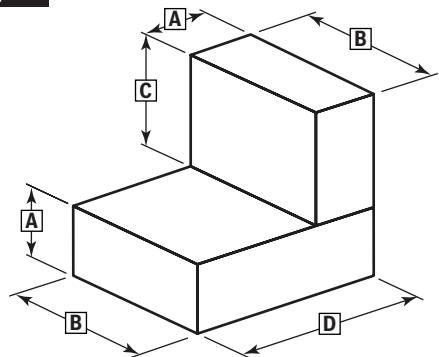
(Fig. 65)

Haga el bloque de refrentado **100** utilizando pedazos de 1 x 3 pulgadas (25,4 x 76,2 mm). Posicione juntas las dos secciones del bloque de refrentado **100** y fíjelas con cola y tornillos para madera.

La altura total del bloque de refrentado deberá coincidir con la altura del tope-guía para cortar al hilo.

Para obtener información sobre el uso correcto del bloque de refrentado **100**, consulte "Corte transversal repetitivo" en la página 179.

Fig. 65



- A** 3/4 pulg. (19.0 mm)
- B** 2.5 pulg. (63.5 mm)
- C** 1-7/8 pulg. (47.6 mm)
- D** 3.0 pulg. (76.2 mm)

Elaboración de un refrentado auxiliar para el tope-guía para cortar al hilo

(Fig. 66, Fig. 67)

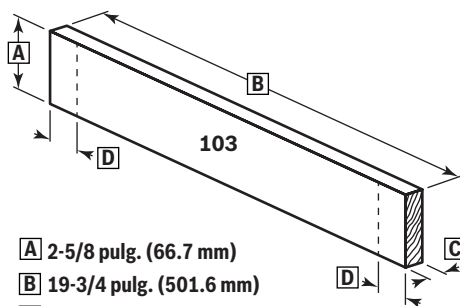
Cuando utilice accesorios de mortajar, se deberá utilizar una tabla de refrentado auxiliar **103**. Esto ayudará a prevenir daños al tope-guía para cortar al hilo de aluminio **9**. El refrentado auxiliar **103** se deberá hacer con madera de 3/4 de pulgada (19 mm) de grosor. La Fig. 66 proporciona planos dimensionales para hacer una tabla de refrentado auxiliar **103** que encaje en esta sierra.

El refrentado auxiliar **103** se hace con la misma altura, 2-5/8 pulgadas (66,68 mm), que el tope-guía para cortar al hilo **9** y puede funcionar con el sistema de protector inteligente Smart Guard **11** instalado en la posición correcta al mover el tope-guía para cortar al hilo **9** para contactar la hoja **32**.

El refrentado auxiliar **103** se tiene que fijar con abrazaderas en dos lugares a no más de 1-1/2 pulgadas (38,1 mm) de sus extremos. Se deberá tener cuidado de no fijarlo con abrazad-

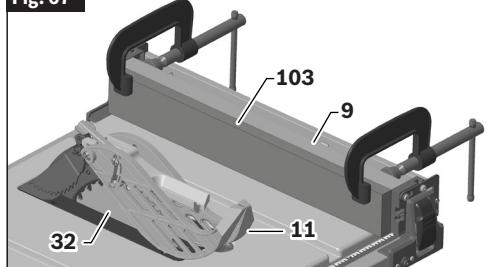
eras sobre el palo de empuje ni dañar las monturas del palo de empuje.

Fig. 66



- A** 2-5/8 pulg. (66.7 mm)
- B** 19-3/4 pulg. (501.6 mm)
- C** 3/4 pulg. (19 mm)
- D** 1-1/2 pulg. (38.1 mm)

Fig. 67



Elaboración de un refrentado auxiliar alto para el tope-guía para cortar al hilo

(Fig. 68, Fig. 69)

Cuando haga cortes no pasantes, tales como cortes de rebajos, será necesario utilizar un refrentado auxiliar alto para el tope-guía para cortar al hilo **104** con el fin de soportar adecuadamente la pieza de trabajo. Este refrentado también permite la fijación con abrazaderas de accesorios tales como tablas con canto biselado.

Para crear este ayudante de trabajo, se debe hacer primero una tabla de soporte con el tamaño del refrentado auxiliar **104** y es necesario taladrar dos agujeros de 3/8 de pulgada, con una profundidad de aproximadamente 2 pulgadas, en el borde de la tabla de soporte. Estos agujeros deberán estar ubicados aproximadamente a 4 pulgadas de los extremos de la tabla de soporte de la manera que se muestra en la Fig. 68. Por último, se debe sujetar una tabla de 3/4 de pulgada de grosor a la tabla de soporte utilizando cola y tornillos para madera de 1-1/4 pulgadas de longitud. La altura de esta tabla

Operaciones básicas de la sierra de mesa

adicional deberá ajustarse a las necesidades de la operación de aserrado antes de realizar dicha operación.

Se necesitan abrazaderas de tope-guía universales con un diámetro de abrazadera de 3/8 de pulgada para fijar el refrentado auxiliar alto para el tope-guía para cortar al hilo **104** al tope-guía para cortar al hilo **9**. Asegúrese de fijar las abrazaderas universales de la manera que se muestra en la Fig. 69.

Fig. 68

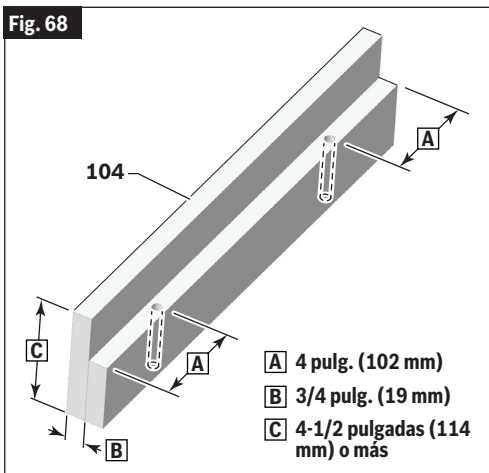
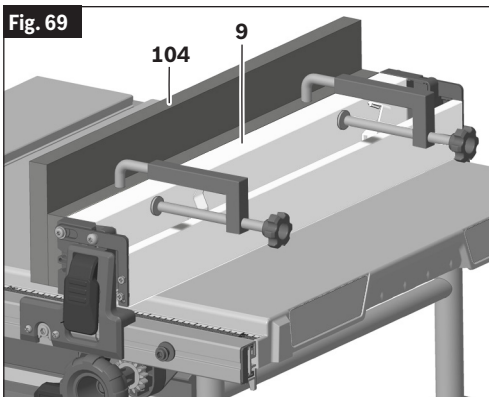


Fig. 69



Elaboración de un refrentado auxiliar para el calibre de ingletes

(Fig. 70)

El calibre de ingletes **14** tiene características premoldeadas que permiten la instalación de un refrentado auxiliar **105**. Para hacer el refrentado auxiliar para el calibre de ingletes **105**, se recomienda seleccionar una tabla de madera recta y lisa que tenga 3/4 de pulgada de grosor, 3 pulgadas de altura y la longitud deseada.

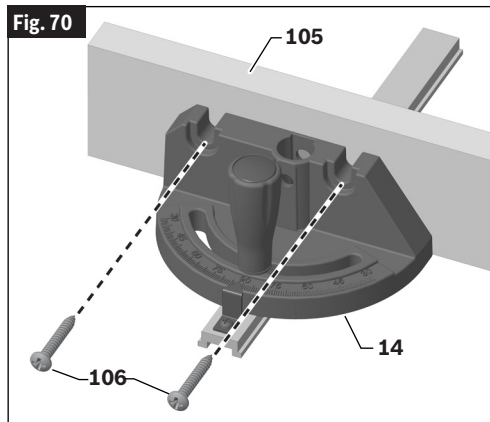
1. Utilizando el calibre de ingletes **14** como plantilla, taladre agujeros de 5/32 de pulgada (4 mm) de diámetro a través de la tabla.
2. Sujete la tabla al calibre de ingletes **14** con dos tornillos de cabeza redonda para madera **106**, Núm. 12 x 1-1/2 pulgada o M6 x 35 mm (no incluidos).

Asegúrese de que los tornillos no sobresalgan nunca por encima de la superficie exterior del refrentado.

Asegúrese de que el refrentado no interfiera con el funcionamiento correcto del ensamblaje del protector con barreras **25**.

NOTA: Al realizar cortes transversales en bisel, coloque el refrentado de manera que sobresalga por la derecha del calibre de ingletes **14** y utilice el calibre de ingletes **14** en el surco que se encuentra a la derecha de la hoja **32**.

Fig. 70



Operaciones básicas de la sierra de mesa

Utilización del palo de empuje, el bloque de empuje y el tope-guía auxiliar

(Fig. 61, Fig. 71, Fig. 72, Fig. 73, Fig. 74)

Cuando haga avanzar la pieza de trabajo para realizar un corte al hilo, utilice las manos solamente cuando se puedan mantener al menos a 6 pulgadas (152 mm) de la hoja **32**. Se deberá utilizar un palo de empuje **8** o **93** o un bloque de empuje **94** siempre que el corte vaya a hacer que las manos estén a 6 pulgadas (152 mm) o menos de la hoja **32**.

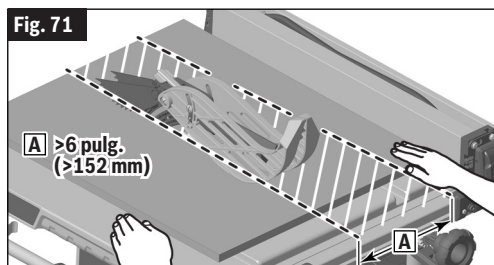
Aplique la fuerza de avance a la sección de la pieza de trabajo ubicada entre la hoja de sierra **32** y el tope-guía para cortar al hilo **9**. La otra mano se deberá usar solamente para guiar la pieza de trabajo cuando esté al menos a 6 pulgadas de la hoja **32**.

Cuando utilice un palo de empuje **8** o **93** o un bloque de empuje **94**, el extremo de salida de la tabla debe estar en ángulo recto. Un palo de empuje **8** o **93** o un bloque de empuje **94** contra un extremo desigual podría resbalar o empujar la pieza de trabajo aleándola del tope-guía para cortar al hilo **9**.

Cuando corte una pieza de trabajo de 1/8 de pulgada (3,2 mm) a 3/4 de pulgada (20 mm) de grosor, utilice el tope-guía auxiliar **95** o el tope-guía volteable **18**.

Cuando corte una pieza de trabajo de 1/8 de pulgada (3,2 mm) de grosor o menos, utilice el tope-guía auxiliar **95**.

Fig. 71



Posicione siempre el palo de empuje **8** y aplique la fuerza de avance paralela a la hoja de sierra. Asegúrese de que el palo de empuje **8** esté posicionado de manera que la superficie larga, **A**, esté en posición plana contra la parte superior de la pieza de trabajo y que la superficie corta, **B**, esté completamente acoplada con el extremo de salida de la pieza de trabajo. Si una pieza de trabajo tiene una forma tal que el palo de empuje **8** no se puede soportar completamente de esta manera, se deberá utilizar un bloque de empuje o un posicionador adecuados para soportar esa pieza de trabajo.

Haga avanzar a mano la pieza de trabajo hasta que el extremo de salida esté aproximadamente 1 pulgada (25 mm) pasado el borde delantero de la mesa **13**. Continúe haciendo avanzar la pieza de trabajo utilizando el palo de empuje **8** hasta que se complete el corte.

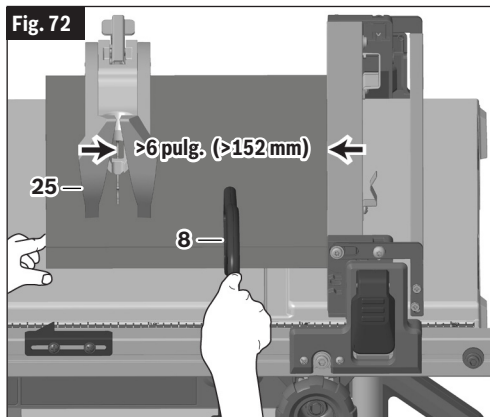
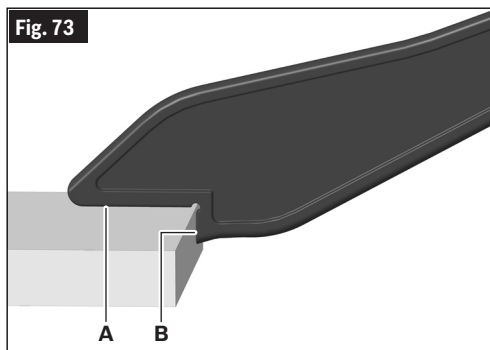


Fig. 73



Utilización del palo de empuje

(Fig. 72, Fig. 73)

⚠ ADVERTENCIA No contacte nunca la hoja de sierra que gira con el palo de empuje. Es posible que el contacto de la hoja de sierra que gira con el palo de empuje cause lesiones corporales o daños materiales.

Utilice el palo de empuje **8** solo cuando la anchura de corte al hilo sea de 2 pulgadas (50 mm) o mayor. Cuando la anchura del corte al hilo sea de menos de 2 pulgadas (50 mm), el palo de empuje **8** no se puede utilizar, porque el ensamblaje del protector con barreras **25** interferirá.

Operaciones básicas de la sierra de mesa

Utilización del bloque de empuje con el tope-guía auxiliar

(Fig. 1, Fig. 74, Fig. 75)

Cuando la anchura de un corte al hilo sea más estrecha de 2 pulgadas (50 mm), utilice el tope-guía auxiliar **95** y el bloque de empuje **94**. El palo de empuje **8** no se puede utilizar, porque el ensamblaje del protector con barreras **25** interferirá.

Fije el tope-guía auxiliar **95** al tope-guía para cortar al hilo **9** con dos abrazaderas en C.

- Antes de realizar la sujeción con abrazaderas, retire el palo de empuje **8** de su ubicación de almacenamiento en el tope-guía para cortar al hilo **9**.
- No realice sujeción con abrazaderas sobre los clips de almacenamiento del palo de empuje **63** ni sobre el tope-guía volteable almacenado **18**.
- Evite el contacto del tope-guía volteable **18** con el tornillo de la abrazadera en C.

Haga avanzar a mano la pieza de trabajo hasta que el extremo de salida esté aproximadamente a 1 pulgada (25 mm) del borde delantero de la mesa **13**. Continúe haciendo avanzar la

pieza de trabajo utilizando el bloque de empuje sobre el tope-guía auxiliar hasta que se haya completado el corte.

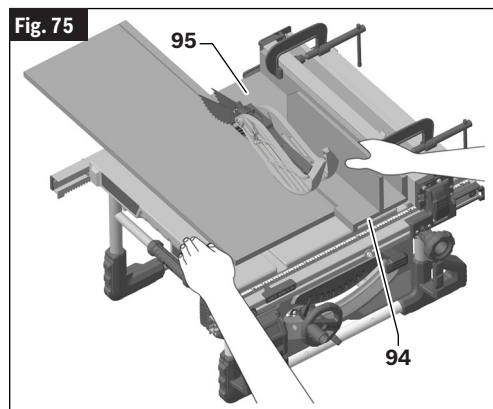
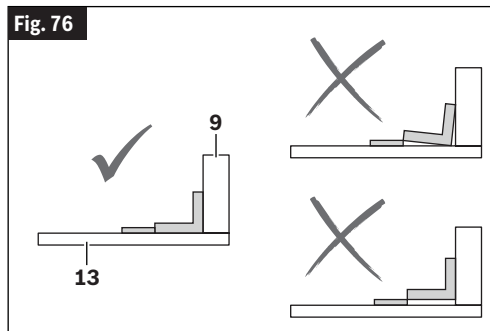
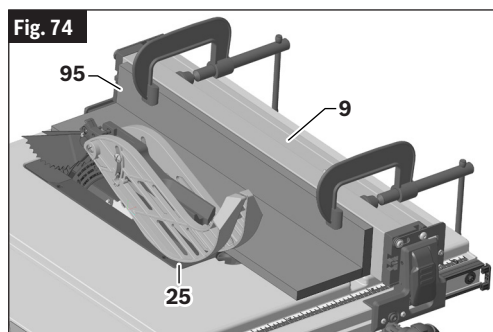
Utilización del tope-guía auxiliar como tope-guía para piezas de trabajo delgadas

(Fig. 1, Fig. 74, Fig. 76)

Cuando corte una pieza de trabajo que tenga 1/8 de pulgada (32 mm) de grosor o menos, es importante evitar que la pieza de trabajo forme una cuña entre la mesa **13** y la parte inferior del tope-guía para cortar al hilo **9**. Un uso adecuado del tope-guía auxiliar **95** o del tope-guía volteable **18** puede eliminar las holguras entre la mesa **13** y la parte inferior del tope-guía para cortar al hilo **9**.

Utilice el tope-guía auxiliar **95** como tope-guía para piezas de trabajo delgadas y móntelo en el tope-guía para cortar al hilo **9** de manera que no haya holgura entre la superficie inferior del tope-guía auxiliar **95** y la mesa **13**. La Fig. 76 ilustra la posición correcta de la mesa **13** y el tope-guía auxiliar **95**.

Consulte la sección "Utilización del tope-guía volteable" en la página 176 para obtener información sobre su uso como tope-guía para piezas de trabajo delgadas.

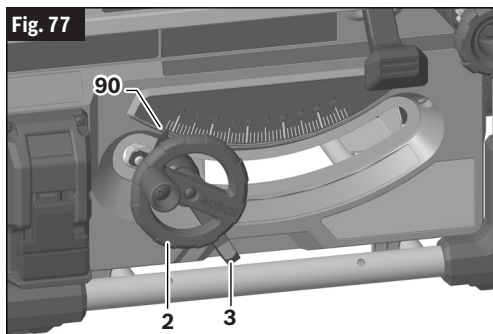


Operaciones básicas de la sierra de mesa

Control del bisel de la hoja

(Fig. 77)

1. Afloje el mango de fijación del bisel de la hoja **3** girándolo en sentido contrario al de las agujas del reloj.
2. Deslice la rueda de elevación **2** hasta que el indicador de bisel 90 esté en el ángulo deseado.
3. Apriete el mango de fijación del bisel de la hoja **3** girándolo en el sentido de las agujas del reloj.



Utilización del tope-guía para cortar al hilo

(Fig. 1, Fig. 71, Fig. 72, Fig. 78)

⚠ ADVERTENCIA Por su propia seguridad, siga siempre las siguientes precauciones de seguridad, además de todas las instrucciones de seguridad incluidas en las páginas 128 a 135.

Las operaciones de corte al hilo, corte al hilo en bisel, reaserrado y corte de rebajos se realizan utilizando el tope-guía para cortar al hilo junto con el tope-guía auxiliar **95** / el soporte para la pieza de trabajo, el refrentado auxiliar alto para el tope-guía para cortar al hilo **100**, el tope-guía volteable **18**, el palo de empuje **8** o el bloque de empuje **94**.

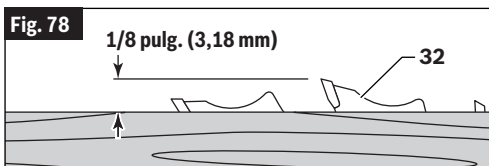
1. No haga nunca estos cortes a pulso (sin utilizar el tope-guía para cortar al hilo **9** o dispositivos auxiliares cuando se requieran), porque la hoja **32** se podría atorar en el corte y causar un retroceso.
2. Fije siempre firmemente el tope-guía para cortar al hilo **9** cuando se esté utilizando.
3. Retire el calibre de ingletes **14** de la mesa **13** durante cualquier operación que utilice el tope-guía para cortar al hilo **9**.

4. Asegúrese de que el ensamblaje del protector con barras **25** esté instalado para todos los cortes de tipo pasante. Reinstale el protector INMEDIATAMENTE después de completar las operaciones de reaserrado, corte de rebajos, corte de mortajas o corte de molduras.

Compruebe frecuentemente la acción del DISPOSITIVO ANTIRRETROCESO **50** pasando la pieza de trabajo a lo largo del lado de la cuchilla separadora (separador) **24** mientras la sierra esté APAGADA.

Jale la pieza de trabajo HACIA usted. Si los TRINQUETES no PENETRAN en la pieza de trabajo y la SUJETAN, entonces los trinquetes **50** deben ser REEMPLAZADOS o AFILADOS. (Consulte "Mantenimiento del dispositivo antirretroceso" en la página 186).

5. Haga que la hoja **32** sobresalga aproximadamente 1/8 de pulgada (3,2 mm) por encima de la parte superior de la pieza de trabajo. Una exposición adicional de la hoja **32** aumenta el potencial de peligros.
6. No se sitúe directamente delante de la hoja **32** en caso de un RETROCESO. Sitúese en cualquiera de los dos lados de la hoja **32**.



Operaciones básicas de la sierra de mesa

- Mantenga las manos alejadas de la hoja **32** y fuera de la trayectoria de la hoja **32**.
- Si la hoja **32** desacelera o se detiene mientras se está realizando el corte, **PONGA EL INTERRUPTOR EN LA POSICIÓN DE APAGADO** antes de intentar liberar la hoja **32**.
- No ponga las manos encima ni detrás de la hoja **32** para jalar la pieza de trabajo a través del corte, soportar piezas de trabajo largas o pesadas, retirar pedazos pequeños de material cortado ni **POR NINGÚN OTRO MOTIVO**.
- No recoja de la mesa **13** pedazos pequeños de material cortado. **RETÍRELOS** empujándolos hacia **FUERA** de la mesa **13** con un palo largo. De lo contrario, podrían ser lanzados hacia atrás, hacia usted, por la parte trasera de la hoja **32**.
- No retire pedazos pequeños de material cortado que puedan quedar **ATRAPADOS** dentro del protector de la hoja mientras la sierra esté **EN FUNCIONAMIENTO**. **ESTO PODRÍA PONER EN PELIGRO LAS MANOS** o causar un **RETROCESO**. **APAGUE** la sierra y desconecte la fuente de alimentación. Después de que la hoja **32** haya dejado de girar, levante el protector y retire el pedazo.
- Si la pieza de trabajo está arqueada, coloque el lado **CÓNCAVO** hacia **ABAJO**. Esto ayudará a impedir que la pieza oscile mientras está siendo cortada.
- Cuando la anchura del corte al hilo sea de 6 pulgadas (152 mm) o mayor, use la mano derecha para hacer avanzar la pieza de trabajo. Use la mano izquierda solo para guiar la pieza de trabajo. No haga avanzar la pieza de trabajo con la mano izquierda.

Cuando la anchura del corte al hilo sea de 2 a 6 pulgadas (50 a 152 mm), use el palo de empuje **8** para hacer avanzar la pieza de trabajo.

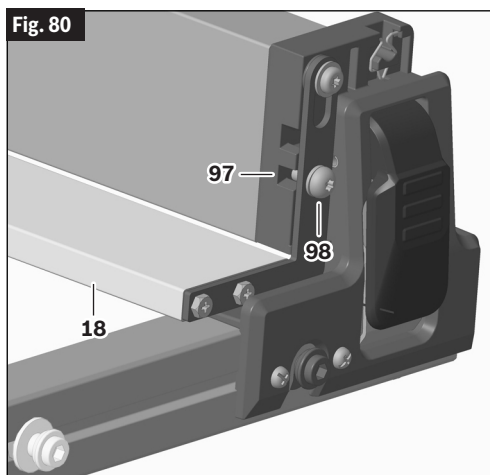
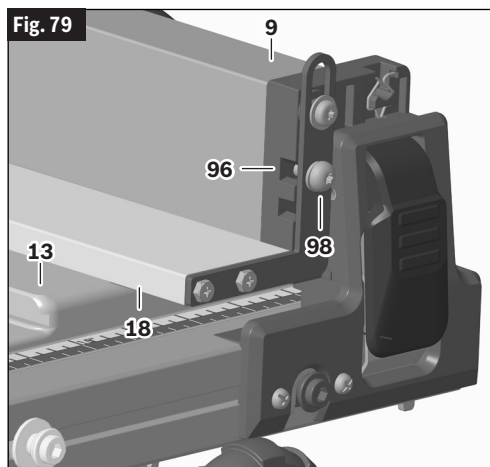
Cuando la anchura del corte al hilo sea más estrecha de 2 pulgadas (50 mm), el palo de empuje **8** no se puede utilizar, porque el ensamblaje del protector con barreras **25** interferirá. En lugar de ello, utilice el tope-guía auxiliar y un bloque de empuje.
- Cuando la anchura del corte al hilo ponga el tope-guía para cortar al hilo **9** fuera de la mesa **13**, utilice el tope-guía volteable **18** en la posición de soporte de la pieza de trabajo para soportar dicha pieza cerca del tope-guía.

Utilización del tope-guía volteable

(Fig. 79, Fig. 80)

El tope-guía volteable **18** se puede ajustar en dos posiciones diferentes. La posición superior **96** se utiliza para cortar piezas de trabajo delgadas cuando el tope-guía para cortar al hilo **9** está encima de la mesa **13**. La posición inferior **97** se utiliza para soportar la pieza de trabajo cuando el tope-guía para cortar al hilo **9** sobresale de la mesa **13** más de 2 pulgadas

(50,8 mm). Consulte la Fig. 79 y la Fig. 80 en la ubicación adecuada. Fijese en la ubicación del pasador del tope-guía volteable **98** en cada figura.



Palanca de fijación de los rieles

(Fig. 81)

La palanca de fijación de los rieles **6** fija los rieles del tope-guía para cortar al hilo **10** en la posición correcta, con lo cual se impide el movimiento del tope-guía para cortar al hilo **9** durante la operación de corte.

Par fijar la palanca de fijación de los rieles 6, empujela hacia abajo y hacia la parte trasera de la sierra.

Para desbloquear la palanca de fijación de los rieles 6, jálala hacia la parte delantera de la sierra y hacia arriba.

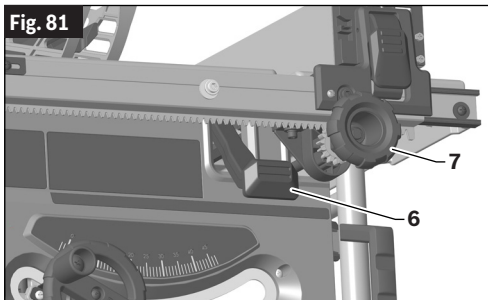
Operaciones básicas de la sierra de mesa

NOTA: Cuando corte al hilo, fije siempre la palanca de fijación de los rieles 6.

Perilla de ajuste de los rieles

(Fig. 81)

La perilla de ajuste de los rieles 7 permite realizar ajustes más pequeños del tope-guía para cortar al hilo 9. Antes de utilizar la perilla de ajuste de los rieles 7, asegúrese de que la palanca de fijación de los rieles 6 esté desbloqueada.



Corte al hilo

(Fig. 1, Fig. 82)

El corte al hilo es cortar un pedazo de madera siguiendo la veta o longitudinalmente.

Posicione el tope-guía para cortar al hilo 9 a la anchura de corte al hilo deseada y fije el tope-guía para cortar al hilo en la posición correcta. Antes de comenzar un corte al hilo:

- Asegúrese de que el tope-guía para cortar al hilo 9 esté paralelo a la hoja de sierra.
- Asegúrese de que la cuchilla separadora 24 esté alineada adecuadamente con la hoja de sierra.

- Asegúrese de que el dispositivo antirretroceso 26 esté funcionando correctamente.

Cuando la anchura del corte al hilo ponga el tope-guía para cortar al hilo 9 fuera de la mesa 13, utilice el tope-guía volteable 18 en la posición de soporte de la pieza de trabajo para soportar dicha pieza junto al tope-guía volteable 18.

Cuando corte al hilo TABLAS LARGAS o PANELES GRANDES, utilice siempre un soporte adecuado de la pieza de trabajo.

Corte al hilo en bisel

Cuando corte al hilo en bisel material de 6 pulgadas (152 mm) o más estrecho, utilice solo el tope-guía para cortar al hilo 9 en el lado derecho de la hoja 32. Esto proporcionará más espacio entre el tope-guía para cortar al hilo 9 y la hoja 32 para el uso del palo de empuje 8. Si el tope-guía para cortar al hilo 9 está montado a la izquierda, es posible que el ensamblaje del protector con barreras 25 interfiera con el uso correcto del palo de empuje 8.

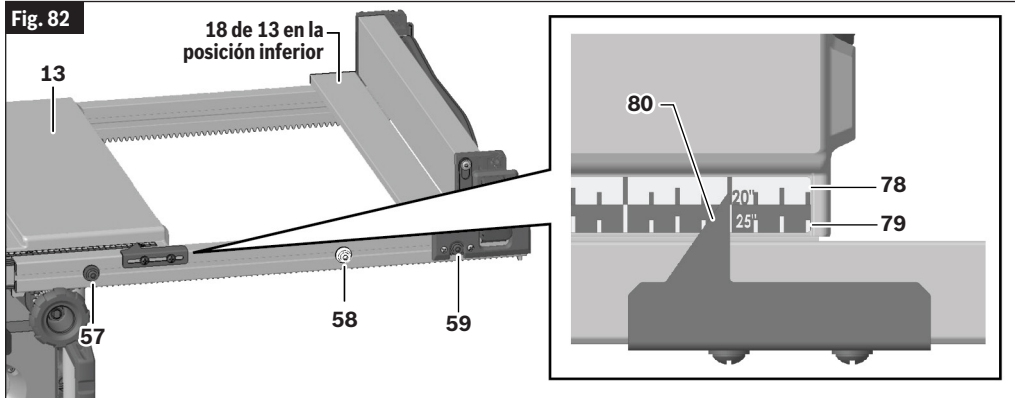
Utilización del indicador del tope-guía para cortar al hilo

(Fig. 82)

El indicador del tope-guía para cortar al hilo 80 muestra la distancia desde la hoja 32 hasta el tope-guía para cortar al hilo 9.

Pasadores de guía plateados del tope-guía para cortar al hilo 58: Cuando el tope-guía para cortar al hilo 9 esté sobre los pasadores de guía plateados del tope-guía para cortar al hilo 57, la escala plateada superior 78 indicará la posición del tope-guía para cortar al hilo 9 relativa al lado derecho de la hoja 32. En esta posición, el tope-guía para cortar al hilo 9 se puede utilizar desde 0 hasta 20 pulgadas (0 hasta 508 mm).

Pasadores de guía negros derechos del tope-guía para cortar al hilo 59: Cuando el tope-guía para cortar al hilo 9 esté sobre los pasadores de guía negros derechos del tope-guía para cortar al hilo 59, la escala inferior negra 79 indicará



Operaciones básicas de la sierra de mesa

la posición del tope-guía para cortar al hilo **9** relativa al lado derecho de la hoja **32**. En esta posición, el tope-guía para cortar al hilo **9** se puede utilizar desde 5 hasta 25 pulgadas (127 hasta 635 mm).

Utilización del calibre de ingletes

⚠ ADVERTENCIA Por su propia seguridad, siga siempre las siguientes precauciones de seguridad, además de las instrucciones de seguridad incluidas en las páginas 128 a 135.

El calibre de ingletes **14** se utiliza cuando se realizan cortes transversales, cortes a inglete, cortes en bisel, cortes a inglete compuesto o cortes de rebajos transversalmente al extremo de una pieza de trabajo estrecha.

No haga nunca estos cortes a pulso (sin utilizar el calibre de ingletes **14** u otros dispositivos auxiliares), porque la hoja **32** se podría atorar en el corte y causar retroceso o hacer que los dedos o la mano del operador resbalen hacia la hoja **32**.

Fije siempre firmemente el calibre de ingletes **14** cuando se utilice.

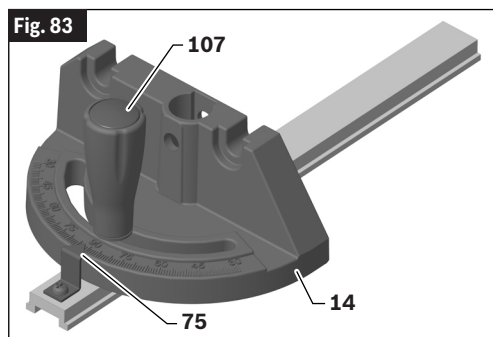
Retire el tope-guía para cortar al hilo **9** de la mesa **13** durante cualquier operación que utilice el calibre de ingletes **14**.

Cuando corte transversalmente con la hoja **32** ajustada a 90° respecto a la mesa **13**, el calibre de ingletes **14** se puede utilizar en cualquiera de las dos ranuras del calibre de ingletes **73** ubicadas en la mesa **13**. Cuando corte transversalmente con la hoja **32** inclinada, utilice la ranura del calibre de ingletes **73** ubicada en el lado derecho de la mesa **13**, donde la hoja **32** está inclinada alejándose de las manos del operador y el calibre de ingletes **14**.

Ajuste del ángulo de inglete

(Fig. 83)

Afloje la perilla de fijación del calibre de ingletes **107** ubicada en el calibre de ingletes **14** girándola en sentido contrario al de las agujas del reloj y ajuste el cuerpo del calibre de ingletes **14** de manera que el indicador del calibre de ingletes **75** esté



en el ángulo deseado. Luego, apriete la perilla de fijación del calibre de ingletes **107** girándola en el sentido de las agujas del reloj.

Corte transversal

(Fig. 1, Fig. 83, Fig. 84)

El corte transversal es cortar madera transversalmente a la veta, a 90° o en ángulo recto tanto con el borde como con el lado plano de la madera. Esto se hace con el calibre de ingletes **14** ajustado a 90°.

Asegúrese de que el sistema de protector inteligente Smart Guard **11** esté instalado para todas las operaciones de "aserrado pasante" (cuando la hoja **32** corta atravesando completamente el grosor de la pieza de trabajo). Reemplace el sistema de protector inteligente Smart Guard **11** INMEDIATAMENTE después de completar los cortes de mortajas o de rebajos.

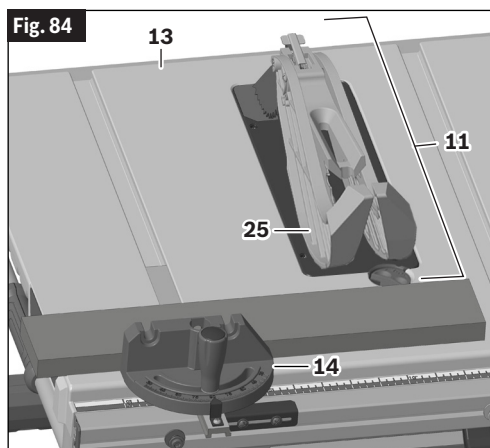
Haga que la hoja **32** sobresalga aproximadamente 1/8 de pulgada (3,2 mm) por encima de la parte superior de la pieza de trabajo. Una exposición adicional de la hoja **32** aumentaría el potencial de peligros.

No se sitúe directamente delante de la hoja **32** en caso de un RECHAZO. Sitúese en cualquiera de los dos lados de la hoja **32**.

Mantenga las manos alejadas de la hoja **32** y fuera de la trayectoria de la hoja **32**.

Si la hoja **32** desacelera o se detiene durante el corte, PONGA EL INTERRUPTOR DE ALIMENTACIÓN **1** EN LA POSICIÓN DE APAGADO antes de intentar liberar la hoja **32**.

No ponga las manos encima ni detrás de la hoja **32** para jalar la pieza de trabajo a través del corte, para soportar piezas de trabajo largas o pesadas, para retirar pedazos de material cortado ni POR NINGÚN OTRO MOTIVO.



Operaciones básicas de la sierra de mesa

No recoja de la mesa **13** pedazos pequeños de material cortado. RETÍRELOS empujándolos hacia FUERA de la mesa **13** con un palo largo. De lo contrario, podrían ser lanzados hacia atrás, hacia usted, por la parte trasera de la hoja **32**.

No retire pedazos pequeños de material cortado que estén cerca del protector de la hoja **25** o que puedan quedar ATRAPADOS dentro del mismo mientras la sierra esté EN FUNCIONAMIENTO. ESTO PODRÍA PONER EN PELIGRO LAS MANOS o causar un RETROCESO. APAGUE la sierra. Después de que la hoja **32** haya dejado de girar, levante el ensamblaje del protector con barreras **25** y retire el pedazo.

Si la pieza de trabajo está arqueada, coloque el lado CÓNCAVO hacia ABAJO. Esto ayudará a impedir que la pieza oscile mientras esté siendo cortada.

Las graduaciones del calibre de ingletes **14** proporcionan precisión para el trabajo corriente de la madera. En algunos casos en los que se requiere una precisión extrema, por ejemplo, al hacer cortes angulares, realice un corte de prueba y luego compruébelo de nuevo con una escuadra precisa o un transportador de ángulos preciso.

Si es necesario, el cuerpo del calibre de ingletes **14** se puede bascular ligeramente para compensar cualquier imprecisión.

CONSEJO: El espacio entre la barra del calibre de ingletes **14** y la ranura del calibre de ingletes **73** ubicada en la mesa **13** se mantiene al mínimo durante la fabricación. Para obtener la máxima precisión al utilizar el calibre de ingletes **14**, "favorezca" siempre un lado de la ranura del calibre de ingletes **73** ubicada en la mesa **13**. No mueva el calibre de ingletes **14** de un lado a otro mientras esté cortando, sino que deberá mantener un lado de la barra del calibre de ingletes **14** desplazándose contra un lado de la ranura del calibre de ingletes **73**.

CONSEJO: Encole un pedazo de papel de lija a la cara del cuerpo del calibre de ingletes **14**. Esto ayudará a evitar que la pieza de trabajo se desplace mientras esté siendo cortada.

El calibre de ingletes **14** se puede utilizar en cualquiera de las dos ranuras del calibre de ingletes **73** ubicadas en la mesa **13**.

Asegúrese de que el calibre de ingletes **14** esté fijo.

Cuando utilice el calibre de ingletes **14** en la ranura IZQUIERDA del calibre de ingletes **73**, sujete la pieza de trabajo firmemente contra el cuerpo del calibre de ingletes **14** con la mano izquierda y agarre la perilla de fijación del calibre de ingletes **103** con la mano derecha.

Cuando utilice la ranura DERECHA del calibre de ingletes **73**, sujete la pieza de trabajo con la mano derecha y agarre la perilla de fijación del calibre de ingletes **107** con la mano izquierda.

Corte transversal repetitivo

(Fig. 85)

⚠ ADVERTENCIA No utilice nunca el tope-guía para cortar al hilo como tope de longitud, ya que el pedazo cortado podría atorarse entre el tope-guía y la hoja y causar RETROCESO.

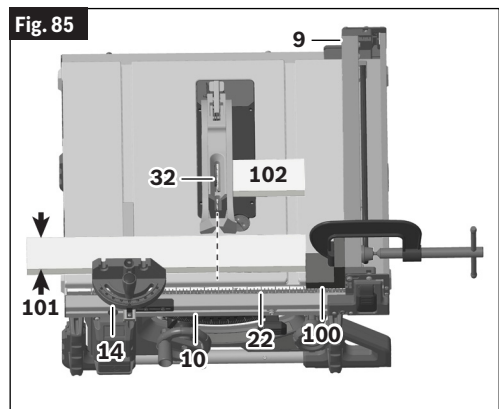
⚠ ADVERTENCIA Monte el bloque de refrentado delante de la hoja, de manera que la pieza de trabajo no entre en contacto con la hoja ni con el boque de refrentado. La pieza de trabajo se puede atorar entre el bloque de refrentado y la hoja, y con ello causar retroceso.

Monte el bloque de refrentado delante de la hoja, de manera que la pieza de trabajo no entre en contacto con la hoja ni con el boque de refrentado. La pieza de trabajo se puede atorar entre el bloque de refrentado y la hoja, y con ello causar retroceso.

Para hacer cortes transversales repetitivos:

1. Cuando haga cortes repetitivos, sujete firmemente el bloque de refrentado al tope-guía para cortar al hilo **9** utilizando una abrazadera. (Consulte "Elaboración del bloque de refrentado" en la página 171). Seleccione una abrazadera que no interfiera con la pieza de trabajo después de que el bloque de refrentado **98** esté sujeto.
2. Deslice el tope-guía para cortar al hilo **9** (con el bloque de refrentado) hasta una posición que le dé a usted la longitud de la tabla que desea repetir y fije el tope-guía para cortar al hilo **9** en esa posición.

NOTA: Si está utilizando la escala del tope-guía para cortar al hilo **22** en el riel delantero de la sierra **10** durante la configuración, asegúrese de mover el tope-guía para cortar al hilo **9** 3 pulgadas (76,2 mm) adicionales para compensar la profundidad del bloque de refrentado **100**.



Operaciones básicas de la sierra de mesa

3. Deslice la pieza de trabajo a lo largo del calibre de ingletes **14** hasta que toque el bloque de refrentado **100**. Sujete firmemente la pieza de trabajo.

4. Haga una pasada de prueba (práctica). Con el paquete de batería **29** desconectado, mueva el calibre de ingletes **14** y la pieza de trabajo a lo largo del bloque de refrentado **100** hasta que toque la hoja inactiva **32**. (La hoja **32** está ajustada 1/8 de pulgada (3,2 mm) más alta que la pieza de trabajo).

NOTA: La pieza de trabajo DEBE estar separada del bloque de refrentado **100** ANTES de que entre en contacto con la hoja **32**. La capacidad de corte transversal **101** para estos cortes es de 5 pulgadas (127 mm) con una pieza de trabajo de 3/4 de pulgada (19 mm) o 4-1/8 pulgadas (105 mm) con una pieza de trabajo de 1-1/2 pulgadas (38 mm). Si la "pasada de prueba" es exitosa, vaya al siguiente paso.

5. Inserte el paquete de batería **29**, encienda la sierra y haga el corte. Apague la sierra.

6. Después de que la hoja **32** se haya detenido, retire la pieza cortada **102** antes de cortar la siguiente pieza.

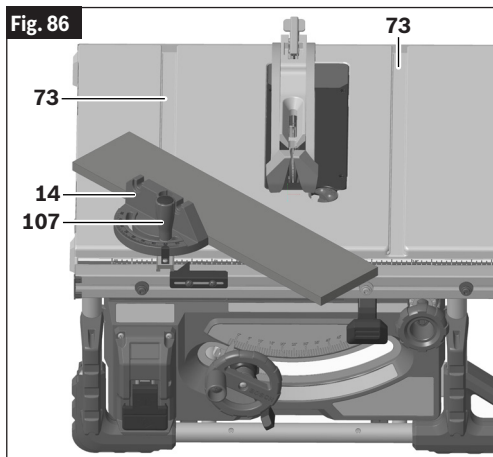
Corte a inglete

(Fig. 86)

El corte a inglete es cortar madera a un ángulo distinto a 90° respecto al borde de la madera. Siga el mismo procedimiento que aplicaría para cortar transversalmente.

Ajuste el calibre de ingletes **14** al ángulo deseado y fíjelo. (Consulte "Ajuste del ángulo de inglete" en la página 52).

El calibre de ingletes **14** se puede utilizar en cualquiera de las dos ranuras del calibre de ingletes **73** ubicadas en la mesa.



Cuando utilice el calibre de ingletes **14** en la ranura IZQUIERDA del calibre de ingletes **73**, sujete la pieza de trabajo firmemente contra el cuerpo del calibre de ingletes **14** con la mano izquierda y agarre la perilla de fijación del calibre de ingletes **103** con la mano derecha.

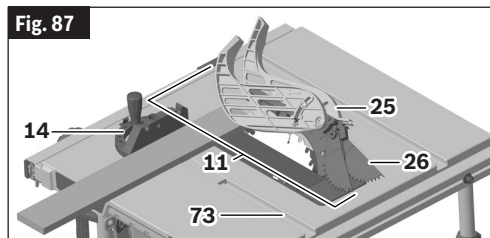
Cuando utilice la ranura DERECHA del calibre de ingletes **73**, sujete la pieza de trabajo con la mano derecha y agarre la perilla de fijación del calibre de ingletes **103** con la mano izquierda.

Corte transversal en bisel

(Fig. 87)

El corte transversal en bisel es lo mismo que el corte transversal, excepto que la madera también se corta en un ángulo de bisel distinto a 90° respecto al lado plano de la madera.

1. Ajuste la hoja al ángulo deseado.
2. Utilice el calibre de ingletes **14** en la ranura del calibre de ingletes **73** a la DERECHA de la hoja **32**.



Corte a inglete compuesto

El corte a inglete compuesto es una combinación de corte a inglete y corte transversal en bisel. El corte se hace a un ángulo distinto de 90° respecto tanto al borde como al lado plano de la madera.

Ajuste el calibre de ingletes **14** y la hoja **32** al ángulo deseado y asegúrese de que el calibre de ingletes **14** esté fijo.

Operaciones básicas de la sierra de mesa

Corte no pasante

(Fig. 1, Fig. 57, Fig. 68, Fig. 88)

⚠ ADVERTENCIA Sujete firmemente con abrazaderas el refrentado auxiliar al tope-guía para cortar al hilo sin obstruir la trayectoria de la pieza de trabajo. Una sujeción incorrecta puede causar inestabilidad de la pieza de trabajo y retroceso.

Utilice tablas con canto biselado **99** para todas las operaciones de “aserrado no pasante” (cuando el ensamblaje del protector con barreras **25** y el dispositivo antirretroceso **26** se deban retirar). Las tablas con canto biselado **99** se utilizan para mantener la pieza de trabajo en contacto con el tope-guía para cortar al hilo **9** y la mesa **13** y detener los retrocesos.

Asegúrese de sujetar firmemente con abrazaderas la tabla de refrentado plana **108** utilizando abrazaderas en C o el refrentado auxiliar alto para el tope-guía para cortar al hilo **104** utilizando las abrazaderas de tope-guía universales, de la manera que se muestra en la Fig. 57 de la página 167, para evitar daños al tope-guía para cortar al hilo **9**, inestabilidad de la pieza de trabajo y retroceso.

Añada una tabla de refrentado plana de 8 pulgadas (203 mm) **104** o un refrentado auxiliar alto para el tope-guía para cortar al hilo **100** al tope-guía para cortar al hilo **9**, que abarque la longitud completa del tope-guía para cortar al hilo **9**, de la manera que se muestra en la Fig. 88.

Monte las tablas con canto biselado **98** en la tabla de refrentado plana **108** o el refrentado auxiliar alto para el tope-guía para cortar al hilo **104** y la mesa **13** de la manera que se muestra en la ilustración, para que los bordes de avance de las tablas con canto biselado **99** soporten la pieza de trabajo hasta que se haya completado el corte y la pieza de trabajo haya sido empujada hasta pasar completamente el cortador (hoja de sierra, fresa de mortajar, etc.) con el palo de empuje **93**, como al cortar al hilo.

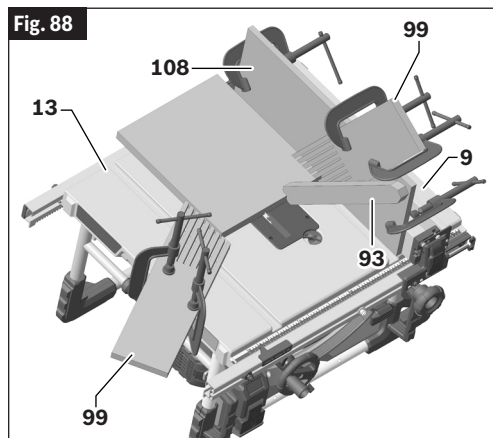


Fig. 88

Antes de comenzar la operación. APAGUE la sierra y ajuste el cortador por debajo de la superficie de la mesa **13**.

- Instale las tablas con canto biselado **99** de manera que ejerzan presión sobre la pieza de trabajo. Asegúrese de que estén firmemente sujetas.
- Asegúrese mediante la realización de pruebas de que las tablas con canto biselado **99** detendrán un retroceso en caso de que este se produzca.

Las tablas con canto biselado **99** no se emplean durante las operaciones de aserrado no pasante cuando se utiliza el calibre de ingletes **14**.

Reinstale el sistema de protector inteligente Smart Guard **11** en cuanto se haya completado la operación de aserrado no pasante.

Corte de rebajos

(Fig. 87, Fig. 89, Fig. 90)

⚠ ADVERTENCIA Sujete firmemente con abrazaderas el refrentado auxiliar al tope-guía para cortar al hilo sin obstruir la trayectoria de la pieza de trabajo. Una sujeción incorrecta puede causar inestabilidad de la pieza de trabajo y retroceso.

El CORTE DE REBAJOS es cortar una sección de la esquina de un pedazo de material, transversalmente a un extremo o a lo largo de un borde.

La realización de un REBAJO requiere cortes que no atraviesen completamente el material. Por lo tanto, se debe retirar el sistema de protector inteligente Smart-Guard **11**.

1. Retire el ensamblaje del protector con barreras **25** y el dispositivo antirretroceso **26**.
2. Para cortar REBAJOS a lo largo de un borde (el lado largo de la pieza de trabajo):
 - Instale el refrentado auxiliar alto para el tope-guía para cortar al hilo **104** (consulte “Elaboración de un refrentado auxiliar alto para el tope-guía para cortar al hilo” en la página 171) en el tope-guía para cortar al hilo **9** utilizando dos abrazaderas del tope-guía de la sierra de mesa, de la manera que se muestra en la Fig. 92. El refrentado auxiliar alto para el tope-guía para cortar al hilo **104** deberá ser tan alto como la anchura de la pieza de trabajo.
 - Ajuste el tope-guía para cortar al hilo **9** y la hoja **32** a las dimensiones requeridas.
 - Haga el primer corte con la tabla en posición plana sobre la mesa **13**, utilizando la configuración que se muestra en la Fig. 90.
 - Haga el segundo corte con la pieza de trabajo en el borde.

Operaciones básicas de la sierra de mesa

Siga todas las precauciones, instrucciones de seguridad e instrucciones de utilización para las operaciones de corte al hilo o del tipo de corte al hilo, incluyendo el uso de tablas con canto biselado y el palo de empuje **8**, etc.

- Para cortar un rebajo transversalmente a un extremo, en el caso de una pieza de trabajo de 10-1/2 pulgadas (267 mm) o más estrecha:

- Haga el corte de rebajo con la tabla en posición plana sobre la mesa **13**.
- Utilizando el calibre de ingletes **14** equipado con un refrentado, siga los mismos procedimientos e instrucciones que para cortar transversalmente, haciendo cortes sucesivos transversalmente a la anchura de la pieza de trabajo para obtener la anchura de corte deseada. NO utilice el tope-guía para cortar al hilo **9** para cortar rebajos transversalmente al extremo.

- INSTALE EL SISTEMA DE PROTECTOR INTELIGENTE SMART GUARD **11** INMEDIATAMENTE DESPUÉS DE COMPLETAR LA OPERACIÓN DE CORTE DE REBAJOS.

Fig. 89

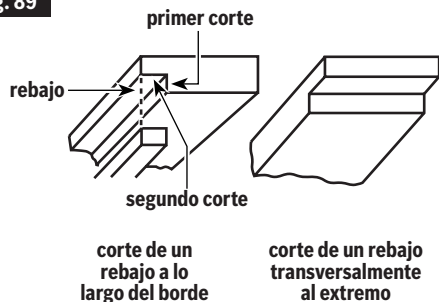
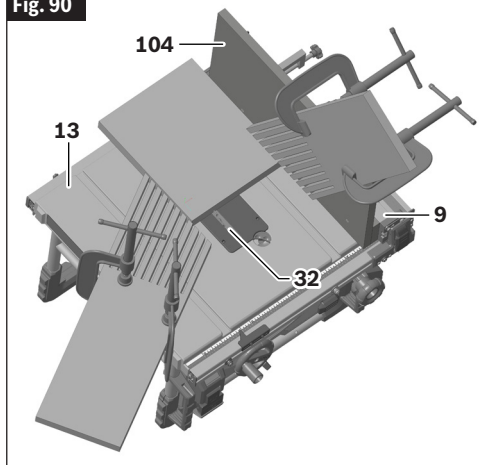


Fig. 90



Los cortes de rebajos también se pueden hacer en una pasada de la pieza de trabajo sobre el cortador utilizando la fresa de mortajar.

Corte de mortajas

Las instrucciones para utilizar la sierra con conjuntos de mortajar se encuentran en el folleto suministrado con estos accesorios.

UTILICE SIEMPRE UN INSERTO DE LA MESA BOSCH **12** AD-ECUADO INDICADO EN "Abitamentos y accesorios". (Consulte la página 187).

Instalación de un conjunto de mortajar

⚠ ADVERTENCIA Para reducir el riesgo de lesiones, desconecte siempre el paquete de batería antes de cambiar las hojas.

⚠ ADVERTENCIA Para reducir el riesgo de lesiones, utilice siempre el inserto de la mesa para hojas de mortajar Bosch Núm. TS0801. No haga nunca cortes de mortajas sin este inserto. No ajuste nunca las cortadores de mortajar a ángulos de bisel que no sean el ángulo vertical de 0°. Siga todas las advertencias e instrucciones que se muestran aquí y las que acompañan a su conjunto de mortajar. Si no se cumple con estas advertencias, es posible que el resultado sea lesiones corporales graves.

⚠ ADVERTENCIA Para reducir el riesgo de lesiones, no utilice conjuntos de mortajar de más de 6 pulgadas (152,4 mm) de diámetro. La sierra no está diseñada para aceptar conjuntos de mortajar de tamaño más grande.

Un conjunto de mortajar es un sistema de accesorios que se utiliza para hacer surcos no pasantes o cortes de superposición en piezas de trabajo. Estas herramientas se utilizan comúnmente en la construcción de muebles y gabinetes. Después de que se hayan hecho apropiadamente los cortes de mortajas en las piezas de trabajo, estas se pueden unir compactamente. Esta sierra de mesa puede acomodar el corte de mortajas de hasta 1/2 de pulgada (12,7 mm) de ancho en una sola pasada.

Operaciones básicas de la sierra de mesa

Utilización de conjuntos de mortajar apilados

(Fig. 91, Fig. 92)

⚠ ADVERTENCIA Para reducir el riesgo de lesiones o daños materiales, lea y siga todas las “Instrucciones de utilización y seguridad” incluidas con el conjunto de mortajar antes de utilizarlo.

⚠ ADVERTENCIA Para reducir el riesgo de lesiones, no utilice nunca una sola hoja de mortajar para realizar cortes de aserrado pasante normal. No utilice nunca astilladores sin ambos cortadores exteriores. Lea y siga todas las “Instrucciones de utilización y seguridad” incluidas con el conjunto de mortajar.

⚠ ADVERTENCIA Para reducir el riesgo de lesiones, no pase nunca las manos sobre las hojas de mortajar cuando esté cortando. Los cortes de mortajas son cortes no pasantes (ciegos). Muchas veces, los cortadores no se pueden ver durante la realización del corte. (Consulte “Corte no pasante” en la página 181 para obtener instrucciones sobre el aserrado no pasante).

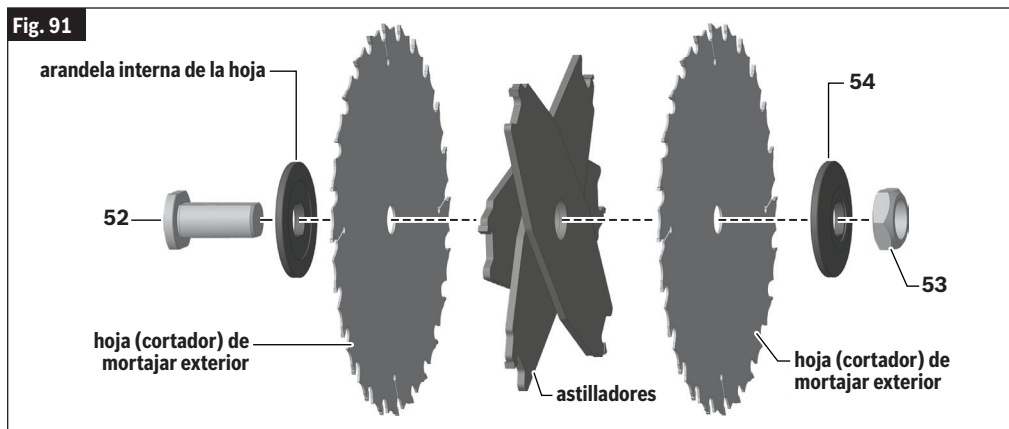
⚠ ADVERTENCIA Para reducir el riesgo de lesiones, no haga nunca cortes a pulso. La pieza de trabajo se debe sujetar contra el tope-guía para cortar al hilo o el calibre de ingletes de la sierra mientras se hace que avance. Siempre que sea posible, utilice el palo de empuje **8** y bloques de empuje para cortar. (Consulte “Utilización del palo de empuje, el bloque de empuje y el tope-guía auxiliar” en la página 173). Utilice siempre tablas con canto biselado instaladas en la mesa o el tope-guía para cortar al hilo **9**. (Consulte “Corte no pasante” en la página 181). Cuando realice cortes transversales, sujete firmemente la pieza de trabajo contra el calibre de ingletes. (Consulte “Corte transversal” en la página 178).

NOTA: Estas instrucciones se aplican cuando se utilizan la mayoría de los conjuntos de mortajar apilados estándar. No

utilice un conjunto de mortajar si las instrucciones del fabricante difieren de las que se proporcionan a continuación.

1. Desconecte el paquete de batería **29**.
2. Suba la hoja de sierra **32** hasta su altura máxima.
3. Retire el ensamblaje del protector con barreras **25** y el dispositivo antirretroceso **26**. (Consulte “Instalación del sistema de protector inteligente Smart Guard” en la página 145).
4. Retire el inserto de la mesa estándar **12**.
5. Baje la cuchilla separadora **24** y fjela en su posición más baja.
6. Retire la tuerca del eje portaherramienta **53**, la arandela externa **54** y la hoja de la sierra **32** del vástago del eje portaherramienta **52**. Deje la arandela interna **55** en el vástago del eje portaherramienta **52**.
7. Instale un apilamiento de mortajar:
 - Coloque las piezas deseadas del conjunto de mortajar en el vástago del eje portaherramienta **52**.
 - Reinstale la arandela externa **54** y apriete firmemente la tuerca del eje portaherramienta **53** en el vástago del eje portaherramienta **52**.
8. Colocación de las hojas de mortajar y los astilladores:
 - Para realizar cortes de 1/4 de pulgada (6 mm) de ancho, coloque las dos hojas (cortadores) de mortajar exteriores en el vástago. Es posible que las dos hojas de mortajar exteriores sean diferentes; consulte la información ubicada en la hoja y las instrucciones del fabricante para realizar una instalación correcta.
 - Para realizar cortes más anchos de hasta 1/2 de pulgada (12,7 mm), se pueden colocar hojas astilladoras y espaciadores solamente entre las hojas (cortadores) exteriores.

Fig. 91



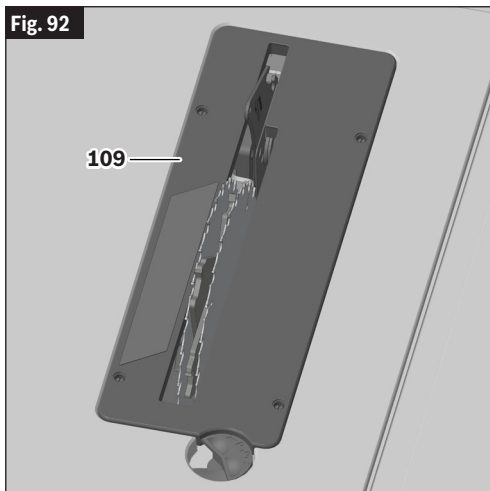
Operaciones básicas de la sierra de mesa

NOTA: La tuerca del eje portaherramienta **53** debe estar completamente acoplada en las roscas del vástago del eje portaherramienta **52**. No exceda una anchura de apilamiento de más de 1/2 pulgada (12,7 mm) con esta sierra.

9. Baje la hojas por debajo del tablero de la mesa **13** e inserte el inserto de la mesa para mortajar Bosch 105. Suba los cortadores hasta la profundidad de corte deseada (por encima del inserto). Compruebe que el paquete de batería **29** de la herramienta esté desconectado y luego rote cuidadosamente a mano los cortadores para asegurarse de que todos los componentes estén firmemente sujetos y que no haya interferencias.
10. Reinserte el paquete de batería **29** en la sierra.
11. Utilizando madera de desecho, haga cortes de mortajas de práctica y ajuste la altura según corresponda.

NOTA: Como los cortes de mortajas son cortes no pasantes, el calibre de ingletes **14** se puede utilizar con el tope-guía para cortar al hilo **9** fijo en la posición correcta. Esto es útil cuando se realizan cortes transversales repetitivos de mortajas desde los extremos de más de una pieza de trabajo. Cada pieza se sujeta contra el calibre de ingletes **14** y su extremo se desliza a lo largo del tope-guía para cortar al hilo **9** a una distancia prefijada.

Dependiendo de la profundidad de corte final y/o la densidad del material, es posible que sea necesario hacer múltiples cortes, comenzando con profundidades pequeñas de 1/4 de pulgada (6 mm) a 1/2 pulgada (13 mm) y progresando hasta la profundidad final. Cuando realice muchos cortes repetitivos de mortajas, compruebe periódicamente las piezas de trabajo para asegurarse de que se mantenga la profundidad de corte.



Conjuntos de mortajar ajustables u oscilantes

⚠ ADVERTENCIA Para reducir el riesgo de lesiones, no utilice conjuntos de mortajar ajustables u “oscilantes” en esta sierra. Los conjuntos de mortajar ajustables se pueden ubicar fácilmente en posiciones que es posible que interfieran con los componentes de trabajo de esta sierra.

Técnicas de corte especiales

⚠ ADVERTENCIA No intente realizar cortes que no estén cubiertos en este manual, a menos que usted esté completamente familiarizado con los procedimientos adecuados y la utilización de dispositivos de fijación.

Esta sierra de mesa es una herramienta sumamente versátil, capaz de realizar una amplia gama de cortes altamente especializados que no se pueden cubrir en este manual.

Acuda a la biblioteca local para obtener libros sobre técnicas del trabajo de la madera, tales como: *The Complete Book of Stationary Power Tool Techniques (El libro completo de técnicas para herramientas eléctricas estacionarias)* de R.J. De Christofo o *Table Saw Techniques (Técnicas para sierras de mesa)* de R. Cliffe.

Mantenimiento y lubricación

⚠ ADVERTENCIA Para evitar accidentes, desconecte siempre el paquete de batería de la herramienta antes de realizar limpieza o efectuar cualquier mantenimiento.

Servicio de ajustes y reparaciones

⚠ ADVERTENCIA Todas las reparaciones, eléctricas o mecánicas, deberán ser intentadas solo por técnicos de reparaciones capacitados. Contacte al Centro de Servicio de Fábrica más cercano o la Estación de Servicio Autorizada más cercana o a otro servicio de reparaciones competente. Utilice únicamente piezas de repuesto idénticas; es posible que cualquier otra pieza cree un peligro.

Cuidado de las hojas

Las hojas se desfilan incluso al cortar madera de construcción normal. Si se encuentra forzando la sierra hacia delante para cortar en lugar de simplemente guiarla a través del corte, lo más probable es que la hoja esté desafilada o recubierta con resina de madera.

Cuando elimine la goma y la resina de madera de la hoja **32**, desconecte el paquete de batería y retire la hoja **32**. Recuerde, las hojas están diseñadas para cortar, por lo que las debe manejar con cuidado. Limpie la hoja **32** con un quitagomas y quitaresinas o un solvente similar para eliminar la goma y la resina. A menos que tenga experiencia en afilar hojas, le recomendamos que no lo intente.

Lubricación de la herramienta

(Fig. 93)

Es posible que el mantenimiento preventivo realizado por personal no autorizado dé lugar a una colocación incorrecta de los cables y componentes internos, lo cual podría causar un peligro grave. Recomendamos que todo el servicio de ajustes y reparaciones de la herramienta sea realizado por un Centro de Servicio de Fábrica Bosch o una Estación de Servicio Bosch Autorizada.

La caja de engranajes ha sido lubricada completamente en la fábrica. Sin embargo, después de seis meses a un año, de-

pendiendo del uso, es aconsejable llevar la herramienta al Centro de Servicio de Fábrica Bosch o al Centro de Servicio Bosch Autorizado más cercano para hacer lo siguiente:

- Limpiar e inspeccionar las piezas.
- Relubricar con lubricante nuevo.
- Comprobar el sistema eléctrico.
- Todas las reparaciones

Lubrique periódicamente las piezas móviles, tales como los engranajes de elevación **111**, con un rociador de silicona o de aceite ligero. No utilice grasa, porque tiende a atraer y retener el aserrín.

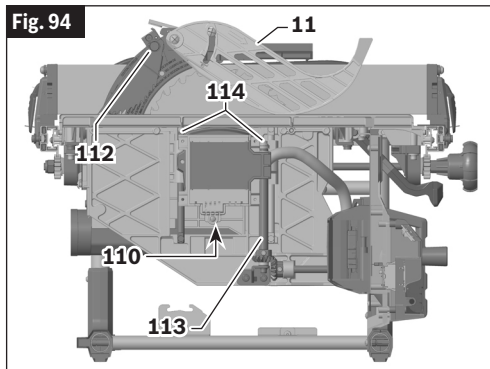
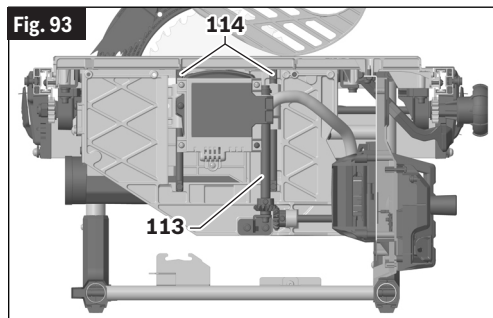
Limpieza

(Fig. 94)

⚠ PRECAUCIÓN Ciertos agentes de limpieza y solventes pueden dañar las piezas de plástico. Algunos de estos son: gasolina, tetracloruro de carbono, solventes de limpieza clorados, amoníaco y detergentes domésticos que contienen amoníaco. Al evitar utilizar estos y otros tipos de agentes de limpieza se minimizará la posibilidad de que se produzcan daños.

⚠ PRECAUCIÓN No limpie dentro de las aberturas del motor con objetos puntiagudos. Se podrían producir daños a los componentes electrónicos o al cableado.

No deje que se acumulen aserrín o residuos en el motor, el interruptor de alimentación y los mecanismos de la sierra. Utilice un cepillo o una aspiradora para retirar el polvo y los residuos de las aberturas de ventilación **110**, los mecanismos de protección **112**, la varilla de elevación roscada **113** y las varillas de soporte **114**. Compruebe regularmente el sistema de protector inteligente Smart Guard **11** y todas las piezas móviles para asegurarse de que estén funcionando correcta-



Mantenimiento y lubricación

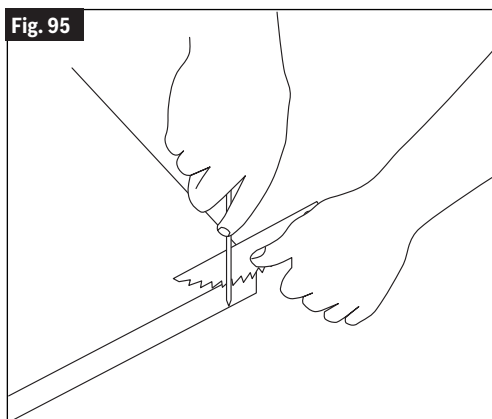
mente. Limpie periódicamente el sistema de protector inteligente Smart Guard **11** con un trapo o un cepillo.

Mantenimiento del dispositivo antirretroceso

(Fig. 95)

Asegúrese de que los dientes del dispositivo antirretroceso estén siempre afilados. Para afilarlos:

1. Retire el dispositivo antirretroceso de la cuchilla separadora.
2. Rote un trinquete alejándolo del otro.
3. Sostenga el trinquete sobre una esquina del banco de trabajo.
4. Utilizando una lima redonda pequeña (de picadura dulce), afile los dientes.



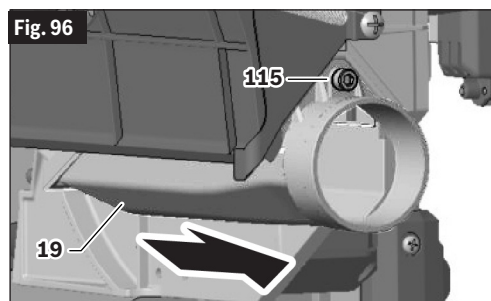
Despeje del puerto de extracción de polvo/conexión de aspiradora

(Fig. 96)

⚠ ADVERTENCIA No utilice la sierra sin tener instalado adecuadamente el puerto de extracción de polvo/conexión de aspiradora. Si el conducto de descarga falta o está instalado incorrectamente, eso puede permitir el acceso a la hoja de sierra y causar daños materiales o lesiones corporales.

Es posible que las piezas cortadas caigan a través del inserto de la mesa **12** y se acumulen en el puerto de extracción de polvo/conexión de aspiradora **19**, impidiendo la extracción de polvo. El puerto de extracción de polvo/conexión de aspiradora **19** es desmontable para permitir eliminar todas las acumulaciones de polvo y material cortado. Para despejar el conducto de extracción de polvo:

1. Afloje el puerto de extracción de polvo/conexión de aspiradora **115**
2. Retire el puerto de extracción de polvo/conexión de aspiradora **19**
3. Elimine todos los residuos del puerto de extracción de polvo/conexión aspiradora **19**
4. Reinstale el puerto de extracción de polvo/conexión de aspiradora **115**



Aditamentos y accesorios

Artículo	Número de catálogo
Adaptador de manguera de aspiración	VAC004
Bolsa colector de polvo	TS1004
Inserto de holgura cero	TS0800
Inserto de mortajar	TS0801
Base de soporte de sierra de mesa	GTA570

Resolución de problemas



ADVERTENCIA

Para evitar accidentes, desconecte siempre el paquete de batería de la herramienta antes de resolver problemas.

Problema	Causa	Medida correctiva
La sierra no arranca	El paquete de batería 29 no está instalado.	Conecte el paquete de batería 29 . Asegúrese de que el paquete de batería 29 esté completamente insertado.
	Es posible que la protección térmica ubicada en la placa de circuitos impresos haya saltado.	Es posible que el paquete de batería 29 , el motor o la tabla de circuitos impresos necesiten enfriarse.
	El paquete de batería 29 se ha descargado.	Consulte el indicador de combustible de la batería para ver la carga que queda. Cargue o reemplace el paquete de batería 29 .
	La temperatura del paquete de batería 29 está fuera del intervalo de funcionamiento normal.	Deje que el paquete de batería 29 se enfríe hasta que alcance el intervalo de temperatura de funcionamiento normal. (Consulte "Especificaciones" en la página 136 para obtener el intervalo de temperatura ambiente permitido).
	La protección electrónica del motor apagó la herramienta.	Desconecte el paquete de batería 29 y reemplácelo.
	Otros	Haga que la herramienta sea revisada por un Centro de Servicio Bosch Autorizado o una Estación de Servicio Bosch Autorizada.
La hoja no alcanza la velocidad máxima	El paquete de batería tiene un nivel de carga bajo.	Cargue el paquete de batería 29 .
	El paquete de batería 29 está cerca del final de su vida útil y la potencia de salida de la batería está reducida.	Reemplace el paquete de batería 29 .
	La herramienta o el paquete de batería 29 están sobrecalentados.	Deje que la herramienta y el paquete de batería 29 se enfríen hasta que alcancen la temperatura de funcionamiento normal. (Consulte "Especificaciones" en la página 136 para obtener el intervalo de temperatura ambiente permitido).
	La temperatura del paquete de batería 29 es demasiado baja.	Caliente gradualmente el paquete de batería 29 en una ubicación más cálida y luego reinstálelo en la sierra una vez que alcance la temperatura de funcionamiento normal. (Consulte "Especificaciones" en la página 136 para obtener el intervalo de temperatura ambiente permitido).

Resolución de problemas

Problema	Causa	Medida correctiva
Potencia baja	Se está utilizando un paquete de batería que no es Pro Core.	La sierra funciona óptimamente con un paquete de batería Pro Core de 8 o 12 Ah. La sierra funcionará con otras baterías, pero con una potencia más débil.
Vibración excesiva	El mago de fijación del bisel de la hoja 3 no está apretado.	Consulte "Familiarización con la sierra de mesa GTS18V-08" en la página 139.
	La hoja 32 está desequilibrada.	Deseche la hoja 32 y utilice una hoja distinta 32 .
	La sierra no está montada firmemente en la base de soporte o el banco de trabajo.	Apriete todos los herrajes de montaje. Consulte "Montaje de la sierra de mesa" en la página 158.
	La tuerca del eje portaherramienta 53 no está apretada adecuadamente.	Apriete la tuerca del eje portaherramienta 53 . (Consulte "Cambio de la hoja" en la página 147).
No se puede hacer un corte en ángulo recto al cortar transversalmente	El calibre de ingletes 14 no está ajustado adecuadamente.	Consulte "Ajuste del calibre de ingletes" en la página 160.
El corte se atora, quema, detiene el motor al cortar al hilo	La hoja 32 está desafilada.	Reemplace la hoja 32 . (Consulte "Cambio de la hoja" en la página 147).
	Tabla arqueada.	Asegúrese de que el lado cóncavo o ahuecado esté orientado hacia ABAJO y haga avanzar lentamente la pieza de trabajo.
	El tope-guía para cortar al hilo 9 no está paralelo a la hoja 32 .	Consulte "Ajustes del tope-guía para cortar al hilo" en la página 160.
	La cuchilla separadora 24 está desalineada.	Consulte "Ajuste de la cuchilla separadora" en la página 163.
El corte no está alineado en las posiciones de 90° o 45°	Los topes de bisel no están ajustados correctamente.	Consulte "Ajuste de los topes positivos a 0° y 45°" en la página 165.
La rueda de elevación del mango de fijación de la inclinación es difícil de mover	El mango de fijación del bisel de la hoja 3 no está aflojado.	Consulte la explicación de "Mango de fijación de la inclinación de la hoja" en "Familiarización con la sierra de mesa GTS18V-08" en la página 139.
	Hay aserrín en las roscas de la varilla de elevación roscada 113 .	Consulte "Limpieza" en la página 185.
	El carro inferior está lleno de aserrín.	Sople frecuentemente con aire comprimido todo el polvo que se haya acumulado en el carro inferior, el motor o los engranajes de elevación de la hoja.
El tope-guía para cortar al hilo no se fija correctamente a los rieles	El tope-guía para cortar al hilo 9 no está completamente asentado en los rieles 10 .	Asegúrese de que ambos extremos del tope-guía para cortar al hilo 9 estén completamente asentados a ras contra los rieles 10 antes de intentar trabar las palancas de fijación del tope-guía para cortar al hilo 56 .

Notes / Remarques / Notas

This page was intentionally left blank
Cette page a été laissée vierge intentionnellement.
Esta página se dejó intencionalmente en blanco.

ARM (BSD 3-clause) – CMSIS-core 4 and earlier

Copyright © 2009–2020 ARM LIMITED

All rights reserved.

Redistribution and use in source and binary forms, with or without modification, are permitted provided that the following conditions are met.

- Redistributions of source code must retain the above copyright notice, this list of conditions and the following disclaimer.
- Redistributions in binary form must reproduce the above copyright notice, this list of conditions and the following disclaimer in the documentation and/or other materials provided with the distribution.
- Neither the name of ARM nor the names of its contributors may be used to endorse or promote products derived from this software without specific prior written permission.

THIS SOFTWARE IS PROVIDED BY THE COPYRIGHT HOLDERS AND CONTRIBUTORS "AS IS" AND ANY EXPRESS OR IMPLIED WARRANTIES, INCLUDING, BUT NOT LIMITED TO, THE IMPLIED WARRANTIES OF MERCHANTABILITY AND FITNESS FOR A PARTICULAR PURPOSE ARE DISCLAIMED. IN NO EVENT SHALL THE COPYRIGHT OWNER OR CONTRIBUTORS BE LIABLE FOR ANY DIRECT, INDIRECT, INCIDENTAL, SPECIAL, EXEMPLARY, OR CONSEQUENTIAL DAMAGES (INCLUDING, BUT NOT LIMITED TO, PROCUREMENT OF SUBSTITUTE GOODS OR SERVICES; LOSS OF USE, DATA, OR PROFITS; OR BUSINESS INTERRUPTION) HOWEVER CAUSED AND ON ANY THEORY OF LIABILITY, WHETHER IN CONTRACT, STRICT LIABILITY, OR TORT (INCLUDING NEGLIGENCE OR OTHERWISE) ARISING IN ANY WAY OUT OF THE USE OF THIS SOFTWARE, EVEN IF ADVISED OF THE POSSIBILITY OF SUCH DAMAGE.

ARM (BSD 3-clause) – CMSIS-core 4 et antérieure

Copyright (C) 2009 - 2020 ARM LIMITED

Tous droits réservés.

La redistribution et l'utilisation sous formes source et binaire, avec ou sans modifications, sont autorisées à condition que les conditions suivantes soient remplies :

- Les redistributions du code source doivent conserver l'avis de droits d'auteur ci-dessus, cette liste de conditions et le rejet de responsabilité suivant.
- Les redistributions en format binaire doivent reproduire l'avis de droits d'auteur ci-dessus, cette liste de conditions et le rejet de responsabilité suivant dans la documentation et/ou les autres éléments fournis avec la distribution.
- Ni le nom d'ARM, ni les noms de ses contributeurs ne peuvent être utilisés pour approuver ou promouvoir des produits dérivés de ce logiciel sans autorisation écrite préalable spécifique.

CE LOGICIEL EST FOURNI PAR LES DÉTENTEURS DES DROITS D'AUTEUR ET LES CONTRIBUTEURS « EN L'ÉTAT », ET TOUTES GARANTIES EXPRESSES OU IMPLICITES, Y COMPRIS, MAIS SANS S'Y LIMITER, LES GARANTIES IMPLICITES DE QUALITÉ MARCHANDE ET D'ADÉQUATION À UN USAGE PARTICULIER, SONT REJETÉES. EN AUCUN CAS, LE TITULAIRE DU DROIT D'AUTEUR OU LES CONTRIBUTEURS NE POURRONT ÊTRE TENUS RESPONSABLES DE TOUT DOMMAGE DIRECT, INDIRECT, ACCESSOIRE, SPÉCIAL, EXEMPLAIRE OU CONSÉCUTIF (Y COMPRIS, MAIS SANS S'Y LIMITER, L'ACQUISITION DE BIENS OU DE SERVICES DE SUBSTITUTION, LA PERTE D'UTILISATION, DE DONNÉES OU DE BÉNÉFICES, OU L'INTERRUPTION D'ACTIVITÉ), QUELLE QU'EN SOIT LA CAUSE ET QUELLE QUE SOIT LA THÉORIE DE RESPONSABILITÉ, QU'IL S'AGISSE D'UN CONTRAT, D'UNE RESPONSABILITÉ SANS FAUTE OU D'UN DÉLIT (Y COMPRIS LA NÉGLIGENCE OU AUTRE) DÉCOULANT DE QUELQUE MANIÈRE QUE CE SOIT DE L'UTILISATION DE CE LOGICIEL, MÊME S'ILS ONT ÉTÉ INFORMÉS DE LA POSSIBILITÉ DE TELS DOMMAGES.

Aimonen (zlib) - Nanopb

Copyright © 2011 Petteri Aimonen

This software is provided 'as-is', without any express or implied warranty. In no event will the authors be held liable for any damages arising from the use of this software.

Permission is granted to anyone to use this software for any purpose, including commercial applications, and to alter it and redistribute it freely, subject to the following restrictions:

1. The origin of this software must not be misrepresented; you must not claim that you wrote the original software. If you use this software in a product, an acknowledgment in the product documentation would be appreciated but is not required.
2. Altered source versions must be plainly marked as such, and must not be misrepresented as being the original software.
3. This notice may not be removed or altered from any source distribution.

Aimonen (zlib) - Nanopb

Copyright © 2011 Petteri Aimonen

Ce logiciel est fourni « en l'état », sans aucune garantie expresse ou implicite. En aucun cas, les auteurs ne pourront être tenus responsables de tout dommage résultant de l'utilisation de ce logiciel.

L'autorisation est accordée à quiconque d'utiliser ce logiciel dans n'importe quel but, y compris les applications commerciales, de le modifier et de le redistribuer librement, sous réserve des restrictions suivantes :

1. L'origine de ce logiciel ne doit pas être dénaturée ; vous ne devez pas prétendre que vous avez écrit le logiciel original. Si vous utilisez ce logiciel dans un produit, une reconnaissance dans la documentation du produit serait appréciée mais n'est pas obligatoire.
2. Les versions sources modifiées doivent être clairement indiquées comme telles et ne doivent pas être présentées comme étant le logiciel original.
3. Cet avis ne peut pas être retiré ou modifié de toute distribution de la source.

LIMITED WARRANTY OF BOSCH PORTABLE AND BENCHTOP POWER TOOLS

Robert Bosch Tool Corporation ("Seller") warrants to the original purchaser only, that all BOSCH portable and benchtop power tools will be free from defects in material or workmanship for a period of one year from date of purchase. Seller's sole obligation and your exclusive remedy under this Limited Warranty and, to the extent permitted by law, any warranty or condition implied by law, shall be the repair or replacement of parts, without charge, which are defective in material or workmanship and which have not been misused, carelessly handled, or misrepaired by persons other than Seller or Authorized Service Station. To make a claim under this Limited Warranty, you must return the complete portable or benchtop power tool product, transportation prepaid, to any BOSCH Factory Service Center or Authorized Service Station. For Authorized BOSCH Power Tool Service Stations, please refer to your phone directory.

This Limited Warranty does not apply to accessory ITEMS SUCH AS CIRCULAR SAW BLADES, DRILL BITS, ROUTER BITS, JIGSAW BLADES, SANDING BELTS, GRINDING WHEELS AND OTHER RELATED ITEMS.

ANY IMPLIED WARRANTIES SHALL BE LIMITED IN DURATION TO ONE YEAR FROM DATE OF PURCHASE. SOME STATES IN THE U.S., SOME CANADIAN PROVINCES DO NOT ALLOW LIMITATIONS ON HOW LONG AN IMPLIED WARRANTY LASTS, SO THE ABOVE LIMITATION MAY NOT APPLY TO YOU.

IN NO EVENT SHALL SELLER BE LIABLE FOR ANY INCIDENTAL OR CONSEQUENTIAL DAMAGES (INCLUDING BUT NOT LIMITED TO LIABILITY FOR LOSS OF PROFITS) ARISING FROM THE SALE OR USE OF THIS PRODUCT. SOME STATES IN THE U.S. AND SOME CANADIAN PROVINCES DO NOT ALLOW THE EXCLUSION OR LIMITATION OF INCIDENTAL OR CONSEQUENTIAL DAMAGES, SO THE ABOVE LIMITATION OR EXCLUSION MAY NOT APPLY TO YOU.

THIS LIMITED WARRANTY GIVES YOU SPECIFIC LEGAL RIGHTS, AND YOU MAY ALSO HAVE OTHER RIGHTS WHICH VARY FROM STATE TO STATE IN THE U.S., PROVINCE TO PROVINCE IN CANADA AND FROM COUNTRY TO COUNTRY.

THIS LIMITED WARRANTY APPLIES ONLY TO PORTABLE AND BENCHTOP ELECTRIC TOOLS SOLD WITHIN THE UNITED STATES OF AMERICA, CANADA AND THE COMMONWEALTH OF PUERTO RICO. FOR WARRANTY COVERAGE WITHIN OTHER COUNTRIES, CONTACT YOUR LOCAL BOSCH DEALER OR IMPORTER.

GARANTIE LIMITÉE DES OUTILS ÉLECTRIQUES PORTATIFS ET D'ÉTABLI BOSCH

Robert Bosch Tool Corporation (le « vendeur ») garantit à l'acheteur initial seulement que tous les outils électriques portatifs et d'établi BOSCH seront exempts de vices de matériaux ou d'exécution pendant une période d'un an depuis la date d'achat. LA SEULE OBLIGATION DU VENDEUR ET LE SEUL RECOURS DE L'ACHETEUR sous la présente garantie limitée, et en autant que la loi le permette sous toute garantie ou condition implicite qui en découlerait, sera l'obligation de remplacer ou réparer gratuitement les pièces défectueuses matériellement ou comme fabrication, pourvu que lesdites défectuosités ne soient pas attribuables à un usage abusif ou à quelque réparation bricolée par quelqu'un d'autre que le vendeur ou le personnel d'une station-service agréée. Pour présenter une réclamation en vertu de cette garantie limitée, vous devez renvoyer l'outil électrique portatif ou d'établi complet, port payé, à tout centre de service agréé ou centre de service usine. Veuillez consulter votre annuaire téléphonique pour les adresses.

LA PRÉSENTE GARANTIE NE S'APPLIQUE PAS AUX ACCESSOIRES TELS QUE LAMES DE SCIES CIRCULAIRES, MÊCHES DE PERCEUSES, FERS DE TOUPIES, LAMES DE SCIES SAUTEUSES, COURROIES DE PONÇAGE, MEULES ET AUTRES ARTICLES DU GENRE.

TOUTE GARANTIE IMPLICITE SERA LIMITÉE COMME DURÉE À UN AN À COMPTER DE LA DATE D'ACHAT. CERTAINS ÉTATS AMÉRICAINS, CERTAINES PROVINCES CANADIENNES N'ADMETTANT PAS LE PRINCIPE DE LA LIMITATION DE LA DURÉE DES GARANTIES IMPLICITES, IL EST POSSIBLE QUE LES LIMITATIONS CI-DESSUS NE S'APPLIQUENT PAS À VOTRE CAS.

EN AUCUN CAS LE VENDEUR NE SAURAIT ÊTRE TENU POUR RESPONSABLE DES INCIDENTS OU DOMMAGES INDIRECTS (INCLUANT, MAIS NE SE LIMITANT PAS AUX PERTES DE PROFITS) CONSÉCUTIFS À LA VENTE OU L'USAGE DE CE PRODUIT. CERTAINS ÉTATS AMÉRICAINS ET CERTAINES PROVINCES CANADIENNES N'ADMETTANT PAS LE PRINCIPE DE LA LIMITATION NI L'EXCLUSION DES DOMMAGES INDIRECTS ET CONSÉQUENTIELS, IL EST POSSIBLE QUE LES LIMITATIONS OU EXCLUSIONS CI-DESSUS NE S'APPLIQUENT PAS À VOTRE CAS.

LA PRÉSENTE GARANTIE VOUS ACCORDE DES DROITS BIEN DÉTERMINÉS, Y COMPRIS POSSIBLEMENT CERTAINS DROITS VARIABLES DANS LES DIFFÉRENTS ÉTATS AMÉRICAINS, PROVINCES CANADIENNES ET DE PAYS À PAYS.

CETTE GARANTIE LIMITÉE NE S'APPLIQUE QU'AUX OUTILS ÉLECTRIQUES PORTATIFS ET D'ÉTABLI VENDUS AUX ÉTATS-UNIS D'AMÉRIQUE, AU CANADA ET AU COMMONWEALTH DE PORTO RICO. POUR COUVERTURE DE GARANTIE DANS LES AUTRES PAYS, CONTACTEZ VOTRE IMPORTATEUR OU REVENDEUR BOSCH LOCAL.

GARANTIA LIMITADA PARA HERRAMIENTAS MECANICAS PORTATILES Y PARA TABLERO DE BANCO BOSCH

Robert Bosch Tool Corporation ("el Vendedor") garantiza, únicamente al comprador original, que todas las herramientas mecánicas portátiles y para tablero de banco BOSCH estarán libres de defectos de material o de fabricación durante un período de un año a partir de la fecha de compra. LA ÚNICA OBLIGACIÓN DEL VENDEADOR Y EL RECURSO EXCLUSIVO QUE USTED TIENE bajo esta Garantía Limitada y, hasta donde la ley lo permita, bajo cualquier garantía o condición implícita por ley, consistirá en la reparación o sustitución sin costo de las piezas que presenten defectos de material o de fabricación y que no hayan sido utilizadas incorrectamente, manejadas descuidadamente o reparadas incorrectamente por personas que no sean el Vendedor o una Estación de servicio autorizada. Para efectuar una reclamación bajo esta Garantía Limitada, usted debe devolver el producto, que consiste en la herramienta mecánica portátil o para tablero de banco completa, con el transporte pagado, a cualquier Centro de servicio de fábrica o Estación de servicio autorizada. Para Estaciones de servicio autorizadas de herramientas mecánicas BOSCH, por favor, consulte el directorio telefónico.

ESTA GARANTIA LIMITADA NO SE APLICA A ARTICULOS ACCESORIOS TALES COMO HOJAS PARA SIERRAS CIRCULARES, BROCAS PARA TALADROS, BROCAS PARA FRESADORAS, HOJAS PARA SIERRAS DE VAIVEN, CORREAS PARA LIJAR, RUEDAS DE AMOLAR Y OTROS ARTICULOS RELACIONADOS.

TODAS LAS GARANTIAS IMPLICITAS TENDRAN UNA DURACION LIMITADA A UN AÑO A PARTIR DE LA FECHA DE COMPRA. ALGUNOS ESTADOS DE LOS EE.UU. Y ALGUNAS PROVINCIAS CANADIENSES NO PERMITEN LIMITACIONES EN CUANTO A LA DURACION DE UNA GARANTIA IMPLICITA, POR LO QUE ES POSIBLE QUE LA LIMITACION ANTERIOR NO SEA APLICABLE EN EL CASO DE USTED.

EL VENDEADOR NO SERA RESPONSABLE EN NINGUN CASO DE NINGUN DAÑO INCIDENTAL O EMERGENTE (INCLUYENDO PERO NO LIMITADO A RESPONSABILIDAD POR PERDIDA DE BENEFICIOS) QUE SE PRODUZCA COMO CONSECUENCIA DE LA VENTA O UTILIZACION DE ESTE PRODUCTO. ALGUNOS ESTADOS DE LOS EE.UU. Y ALGUNAS PROVINCIAS CANADIENSES NO PERMITEN LA EXCLUSION O LIMITACION DE LOS DAÑOS INCIDENTALES O EMERGENTES, POR LO QUE ES POSIBLE QUE LA LIMITACION O EXCLUSION ANTERIOR NO SEA APLICABLE EN EL CASO DE USTED.

ESTA GARANTIA LIMITADA LE CONFIERE A USTED DERECHOS LEGALES ESPECIFICOS Y ES POSIBLE QUE USTED TAMBIEN TENGA OTROS DERECHOS QUE VARIAN DE ESTADO A ESTADO EN LOS EE.UU., DE PROVINCIA A PROVINCIA EN CANADA Y DE UN PAIS A OTRO.

ESTA GARANTIA LIMITADA SE APLICA SOLAMENTE A HERRAMIENTAS ELECTRICAS PORTATILES Y PARA TABLERO DE BANCO VENDIDAS EN LOS ESTADOS UNIDOS DE AMERICA, CANADA Y EL ESTADO LIBRE ASOCIADO DE PUERTO RICO. PARA COBERTURA DE GARANTIA EN OTROS PAISES, PONGASE EN CONTACTO CON SU DISTRIBUIDOR O IMPORTADOR LOCAL DE BOSCH.

© Robert Bosch Tool Corporation 1800 W. Central Road Mt. Prospect, IL 60056-2230

Exportado por: Robert Bosch Tool Corporation Mt. Prospect, IL 60056-2230, E.U.A.

Importado en México por: Robert Bosch, S.A. de C.V., Calle Robert Bosch No. 405, Zona Industrial, Toluca, Edo. de México, C.P. 50070, Tel. (722) 2792300



1 6 0 9 B 0 7 9 4 7

1609B07947 08/2022