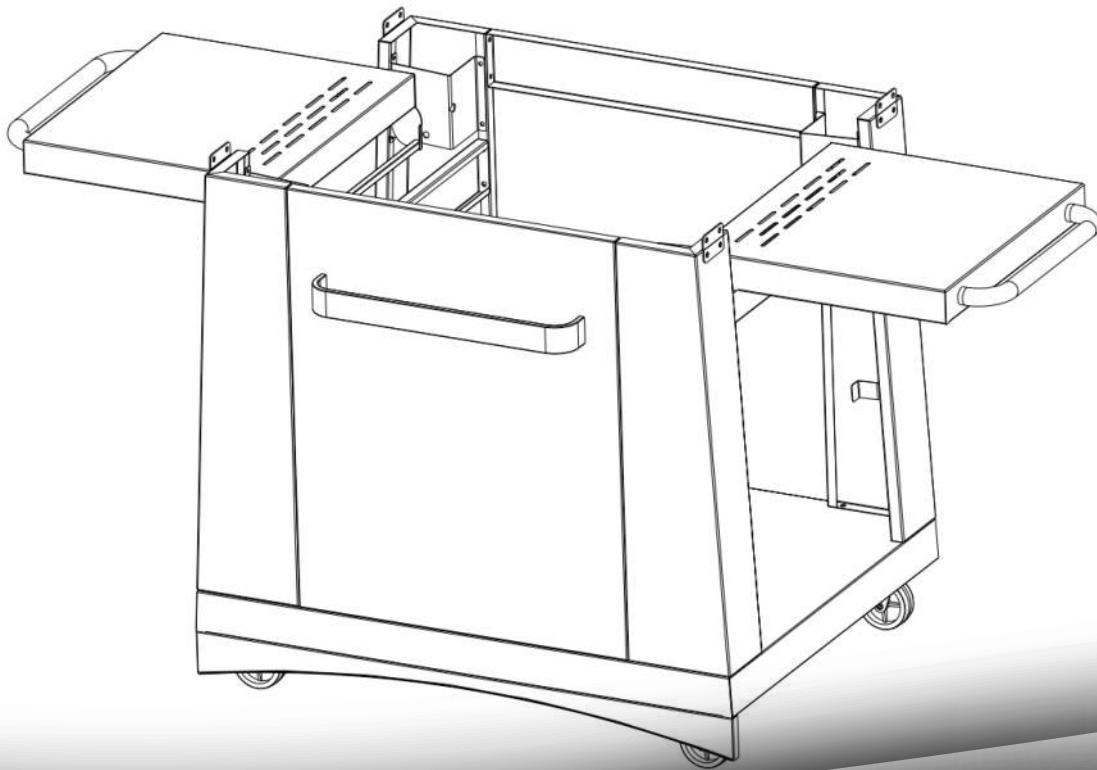




WWW.KUCHT.COM

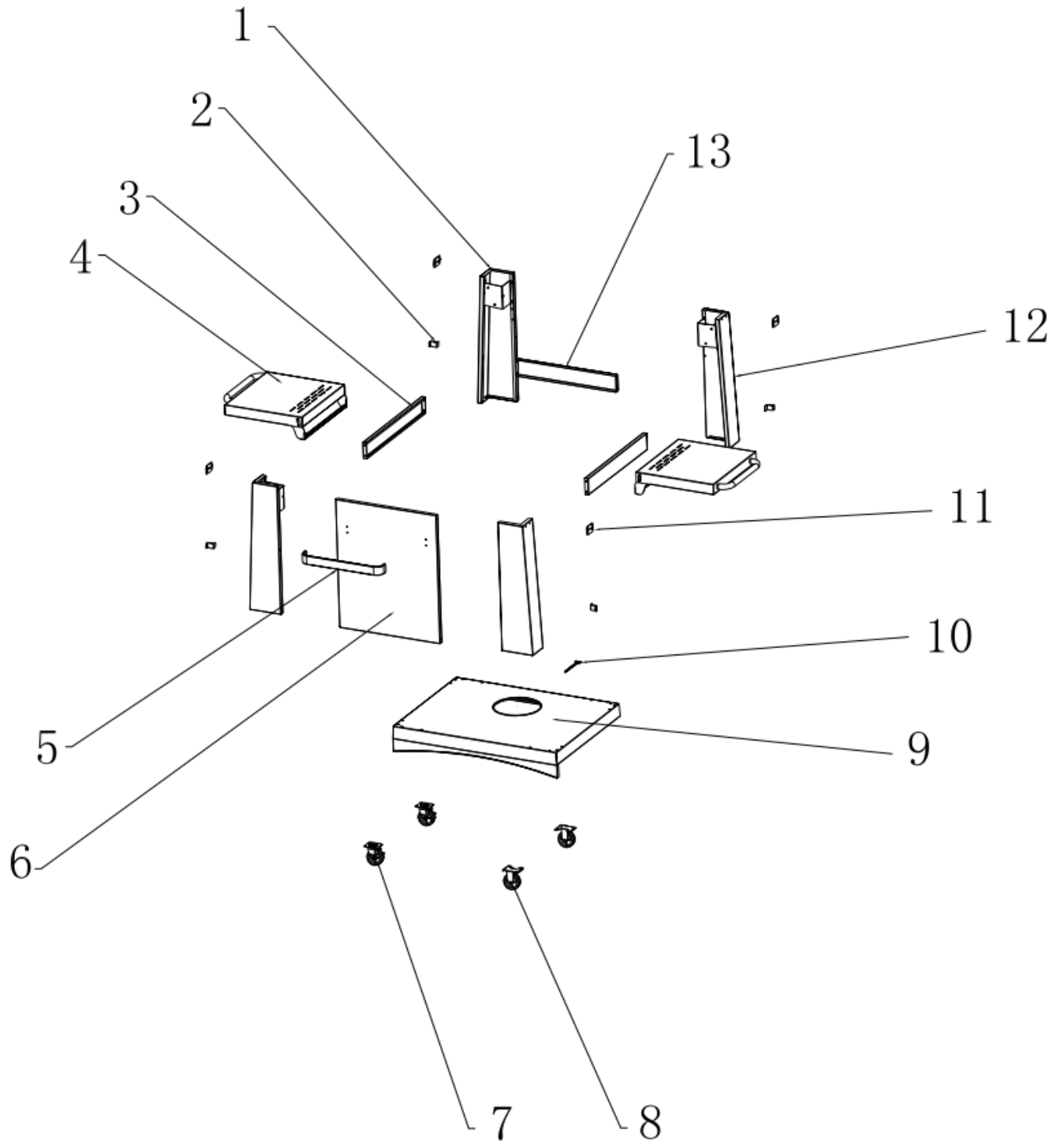


BE A **PRO** IN YOUR KITCHEN

Outdoor Kitchen | Gas Pizza Oven
KUCHTCART
INSTALLATION GUIDE

APPLICABLE MODEL: PIZZA OVEN CART (FOR NAPOLI PIZZA OVEN)

Exploded View

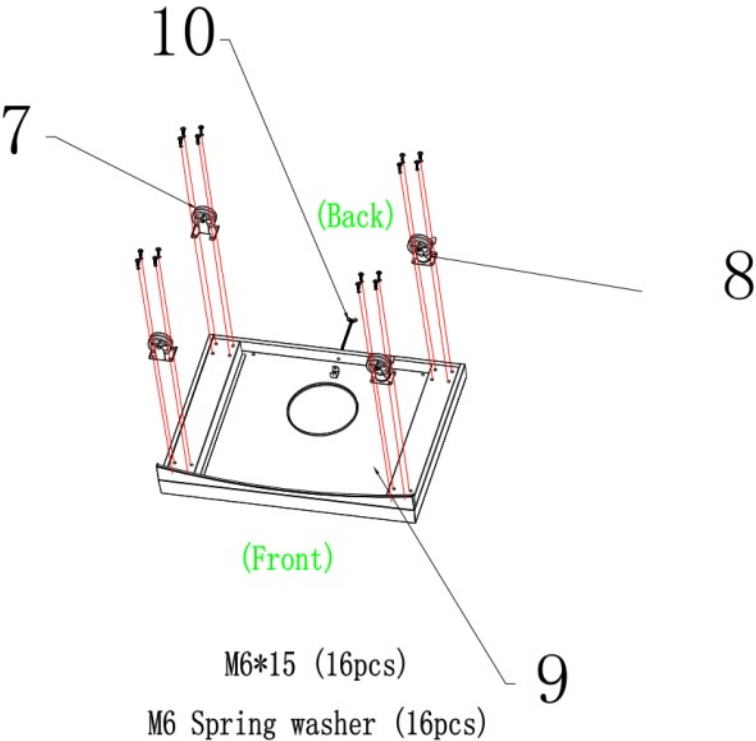


Part List

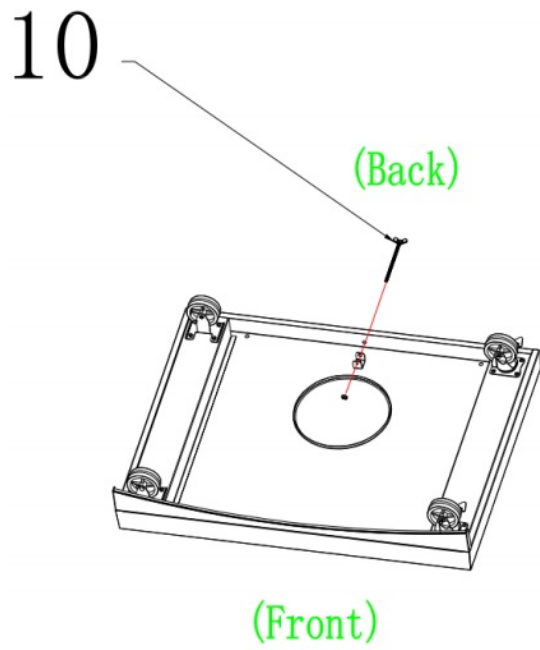
NO.	Description	QTY
1	Cart Legs B/D(Right front/ Left rear)	2
2	Side table baffle	4
3	Left/ right supporter	2
4	Side table	2
5	Door handle	1
6	Door	1
7	Wheel with brake	2
8	Wheel	2
9	Base	1
10	M6 disc screw	1
11	Pizza oven connector	4
12	Cart Legs A/C(Left front/ Right rear)	2
13	Rear supporter	1

Assembly

1.

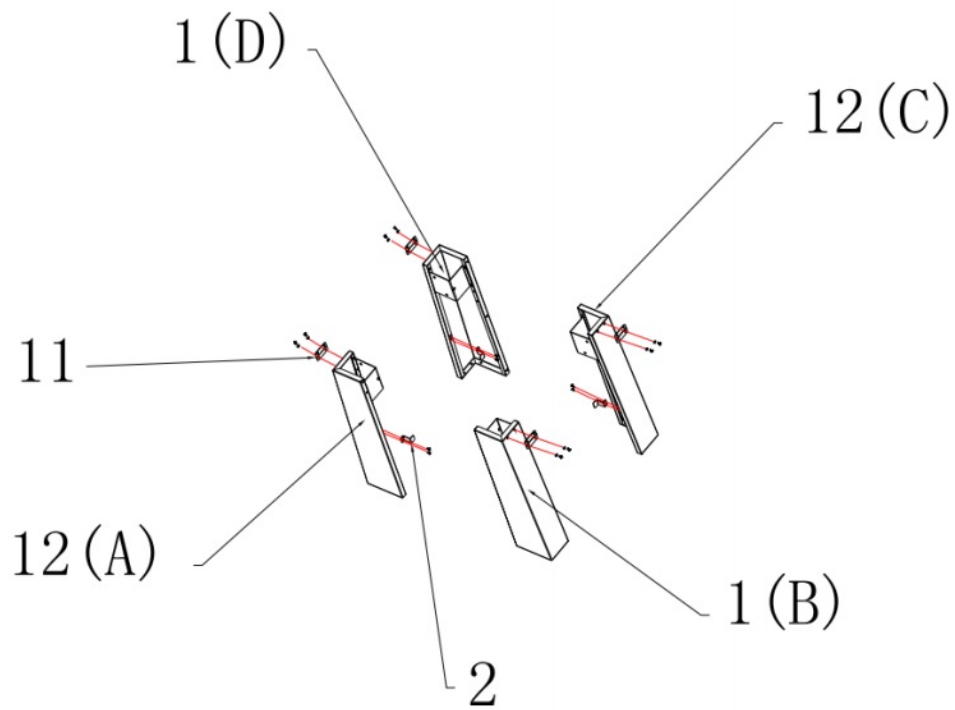


2.



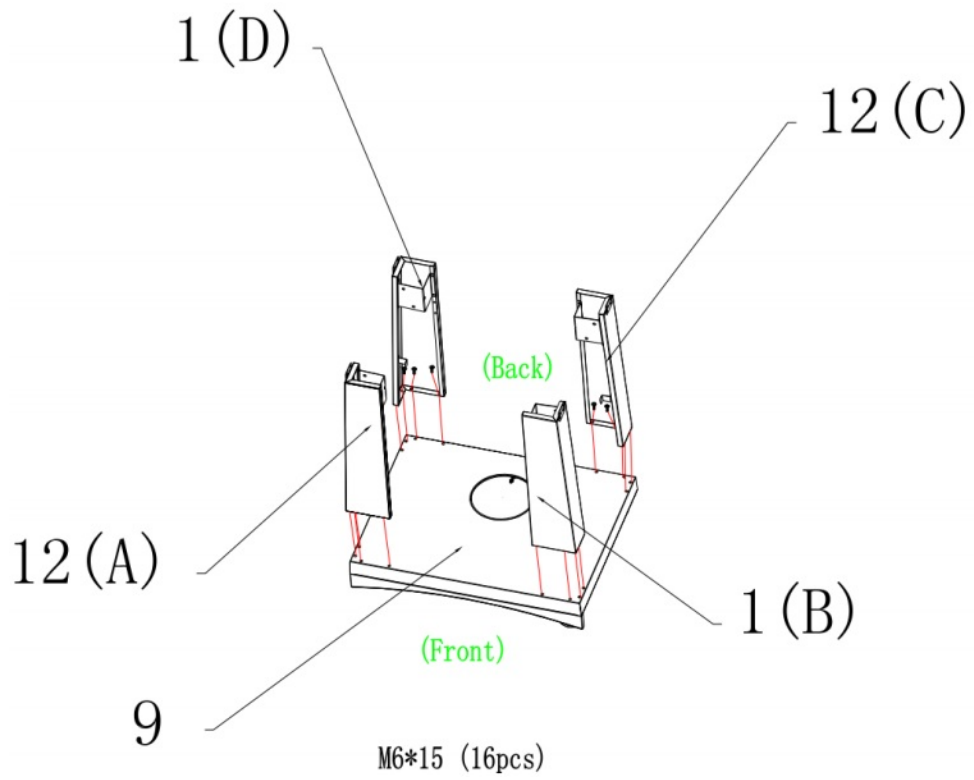
M6 Self-locking nuts (1pcs)

3.

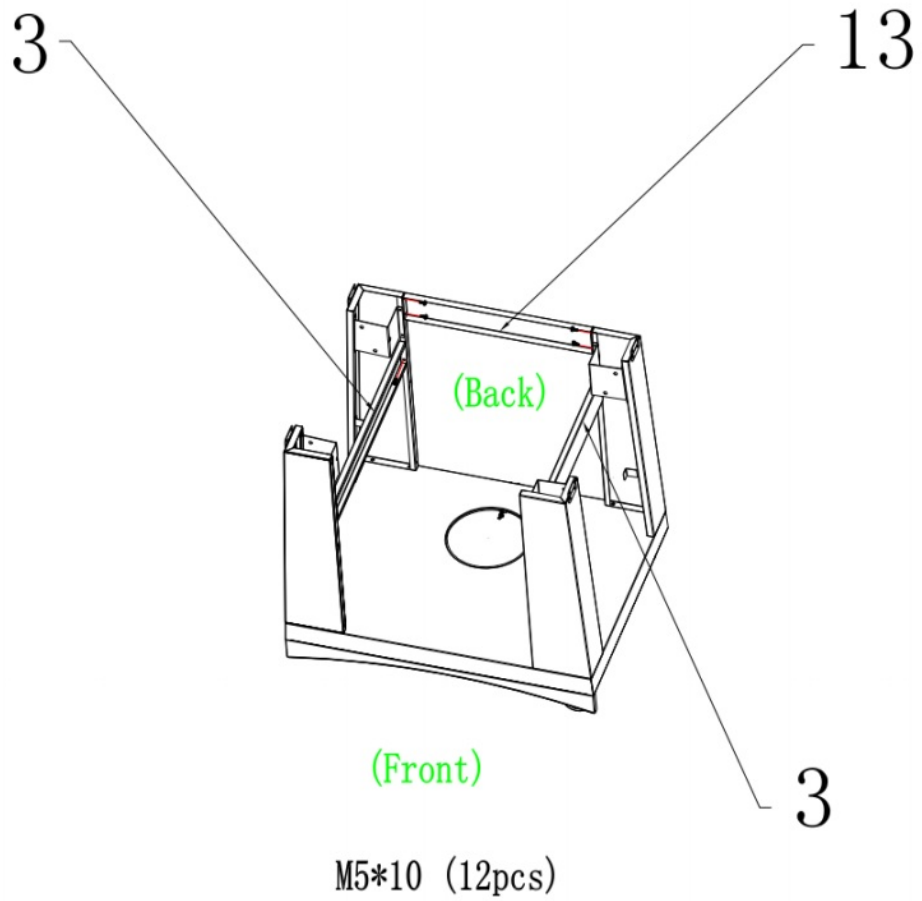


M5*10 (16pcs)
M5 Spring washer (8pcs)

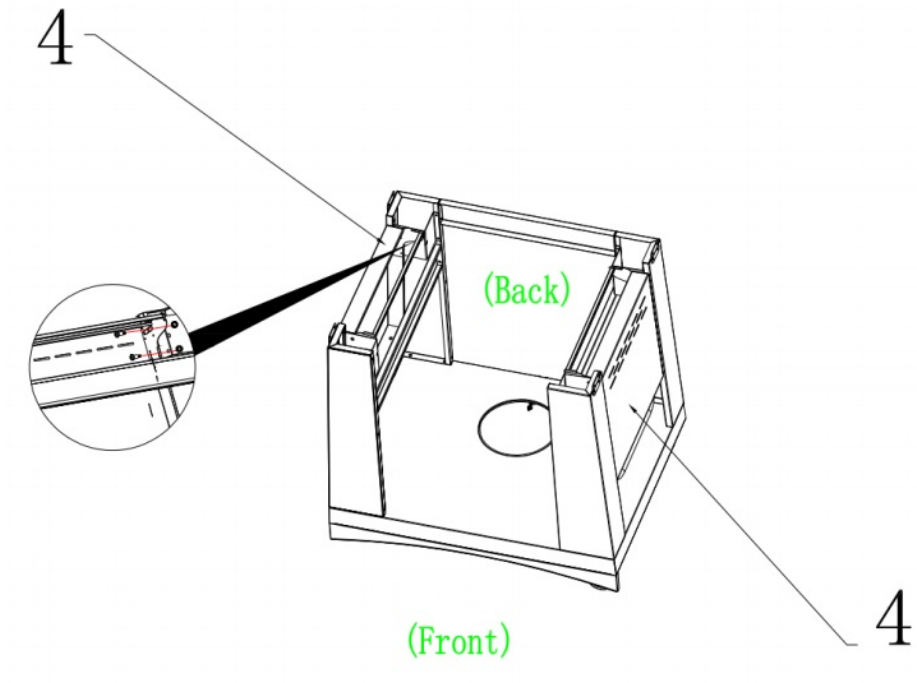
4.



5.

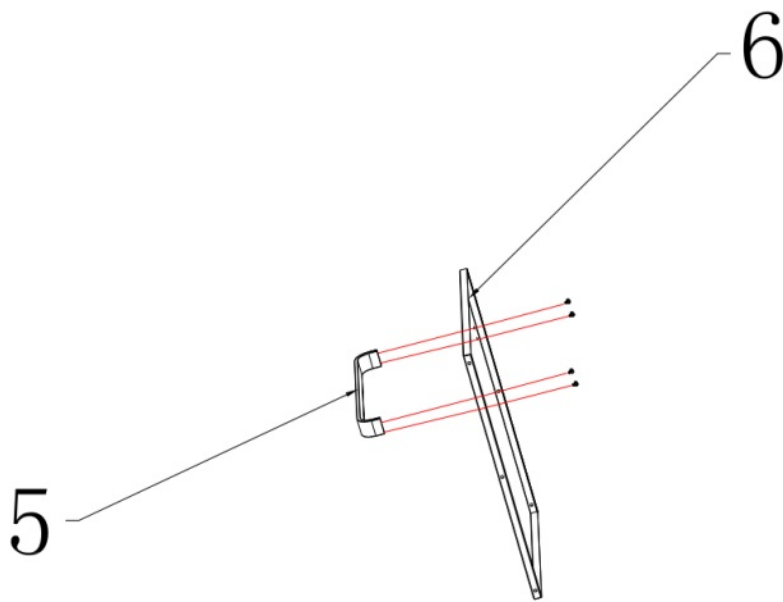


6.



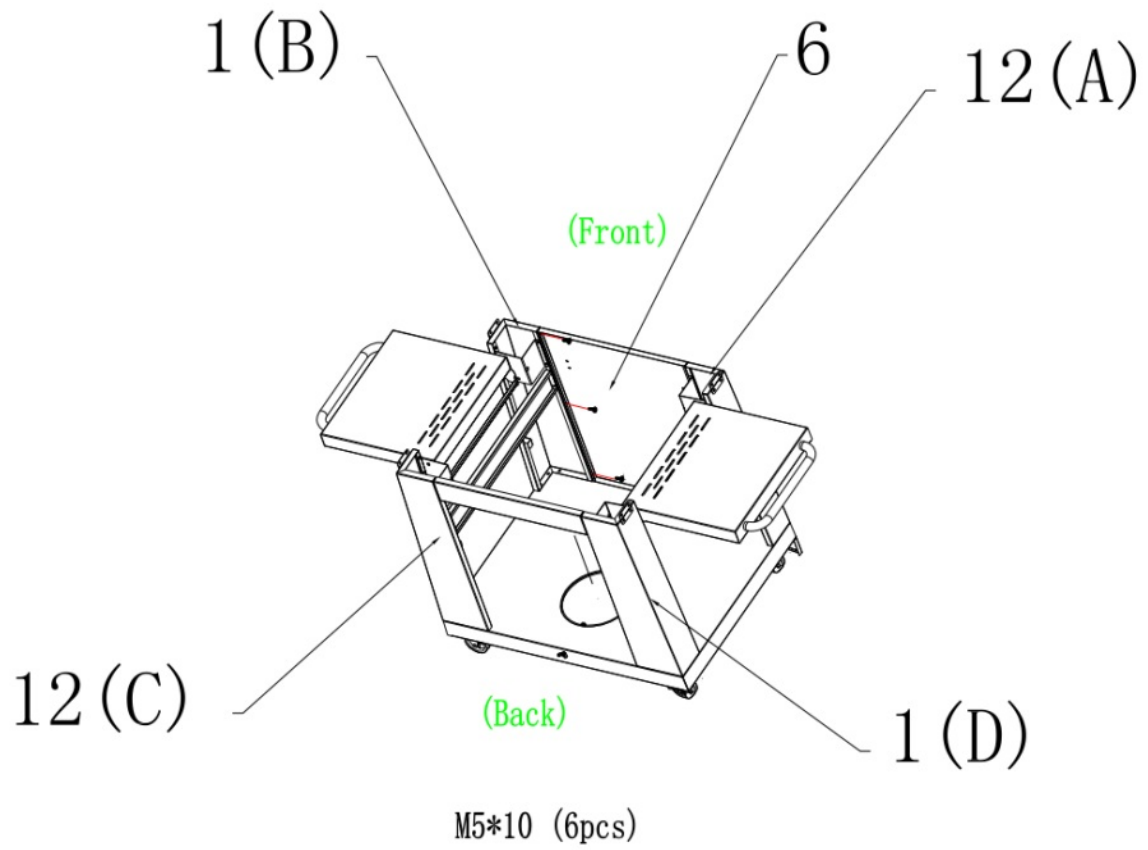
M6 Step screws (8pcs)

7.



M5*10 (4pcs)

8.





WE TRANSFORM A SIMPLE KITCHEN INTO A PRO ONE.
THIS IS WHY WE CARE ABOUT MAKING VERY HIGH PERFORMANCE
RANGES AND HOODS, TO MAKE YOU FEEL LIKE A PRO AND STYLISH COOKER.

DESIGN: LONDON DC - WWW.LONDON-DC.COM

FOR MORE DETAILS AND INFORMATION, PLEASE VISIT OUR WEBSITE WWW.KUCHT.COM