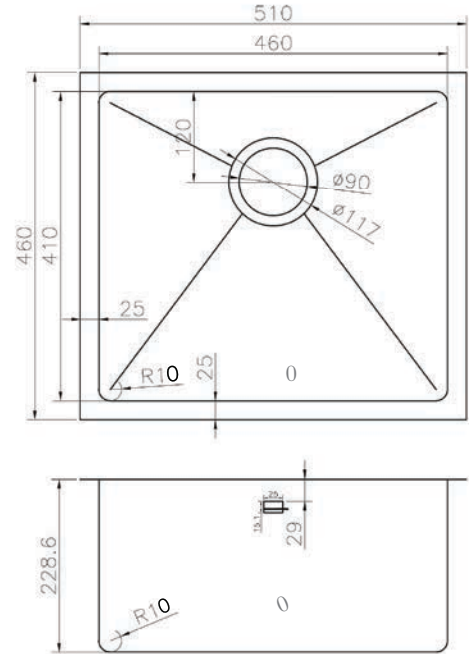


ONEX

STAINLESS STEEL SINKS



MODEL OUS2018-SQR

| | | |
|---------------------|-----------------|---|
| OVERALL SIZE | 510 mm X 460 mm | <ul style="list-style-type: none"> • 304 brushed finish stainless steel 18 gauge • Stainless steel strainer, clips and template included • Sound deadening pads • Drain located towards rear to provide more space under the sink • Product certified ASME A112.19.3, CSA B45.0, and CSA B45.4 |
| BOWL SIZE | 20" X 18.11" | |
| | 460 mm X 410 mm | |
| DEPTH | 18.11" X 16.14" | |
| | 228.6 mm / 9" | |