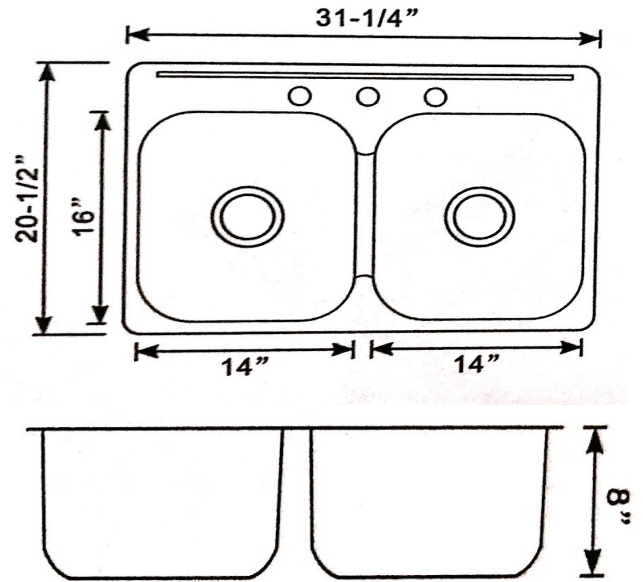


# ONEX<sup>®</sup>

STAINLESS STEEL SINKS



## MODEL OD3120-8-3H

|  |   |
|--|---|
| <p><b>OVERALL SIZE</b></p> <p>795 mm X 520 mm</p> <p>31-1/4" X 20-1/2"</p> | <ul style="list-style-type: none"> <li>• 304 brushed finish stainless steel 18 gauge</li> <li>• Stainless steel strainer, clips and template included</li> <li>• Sound deadening pads</li> <li>• Drain located towards rear to provide more space under the sink</li> <li>• Product certified ASME A112.19.3, CSA B45.0, and CSA B45.4</li> </ul> |
| <p><b>BOWL SIZE</b></p> <p>406 mm X 355 mm</p> <p>16" X 14"/16" X 14"</p>  |   |
| <p><b>DEPTH</b></p> <p>8"</p>  |   |