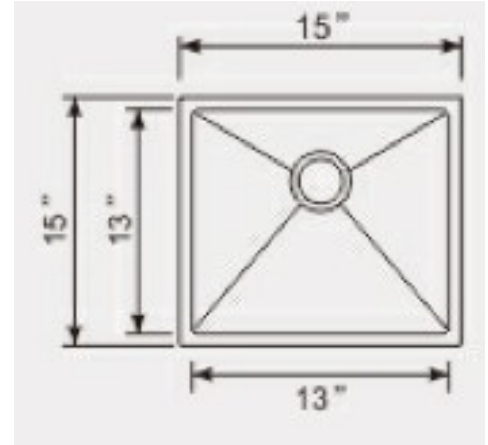


# ONEX<sup>®</sup>

STAINLESS STEEL SINKS



## MODEL OUS1515-SQR

|                     |                                  |   |
|---------------------|----------------------------------|---|
| <b>OVERALL SIZE</b> | 381 mm X 381 mm<br>15" X 15"     | <ul style="list-style-type: none"> <li>• 304 brushed finish stainless steel 18 gauge</li> <li>• Stainless steel strainer, clips and template included</li> <li>• Sound deadening pads</li> <li>• Drain located towards rear to provide more space under the sink</li> <li>• Product certified ASME A112.19.3, CSA B45.0, and CSA B45.4</li> </ul> |
| <b>BOWL SIZE</b>    | 330.2 mm X 330.2 mm<br>13" X 13" |   |
| <b>DEPTH</b>        | 254 mm / 10"                     |   |